

Frigidaire

Factory Parts Catalog

| | |
|---------------------------|---------------|
| Product No. | PLGFMZ98GCA |
| Series | 30" f/s gas |
| Color | stainless |
| Market | North America |
| Owner's Guide | 316417131 |
| Installation Instructions | 316461800 |
| Service Data Sheet | 316441707 |

 **Electrolux**

Electrolux Major Appliances
North & Latin America
P.O. BOX 212378
AUGUSTA, GA 30917

Publication No.
5995507349
08/02/20
(EN/SERVICE/BJH)
369

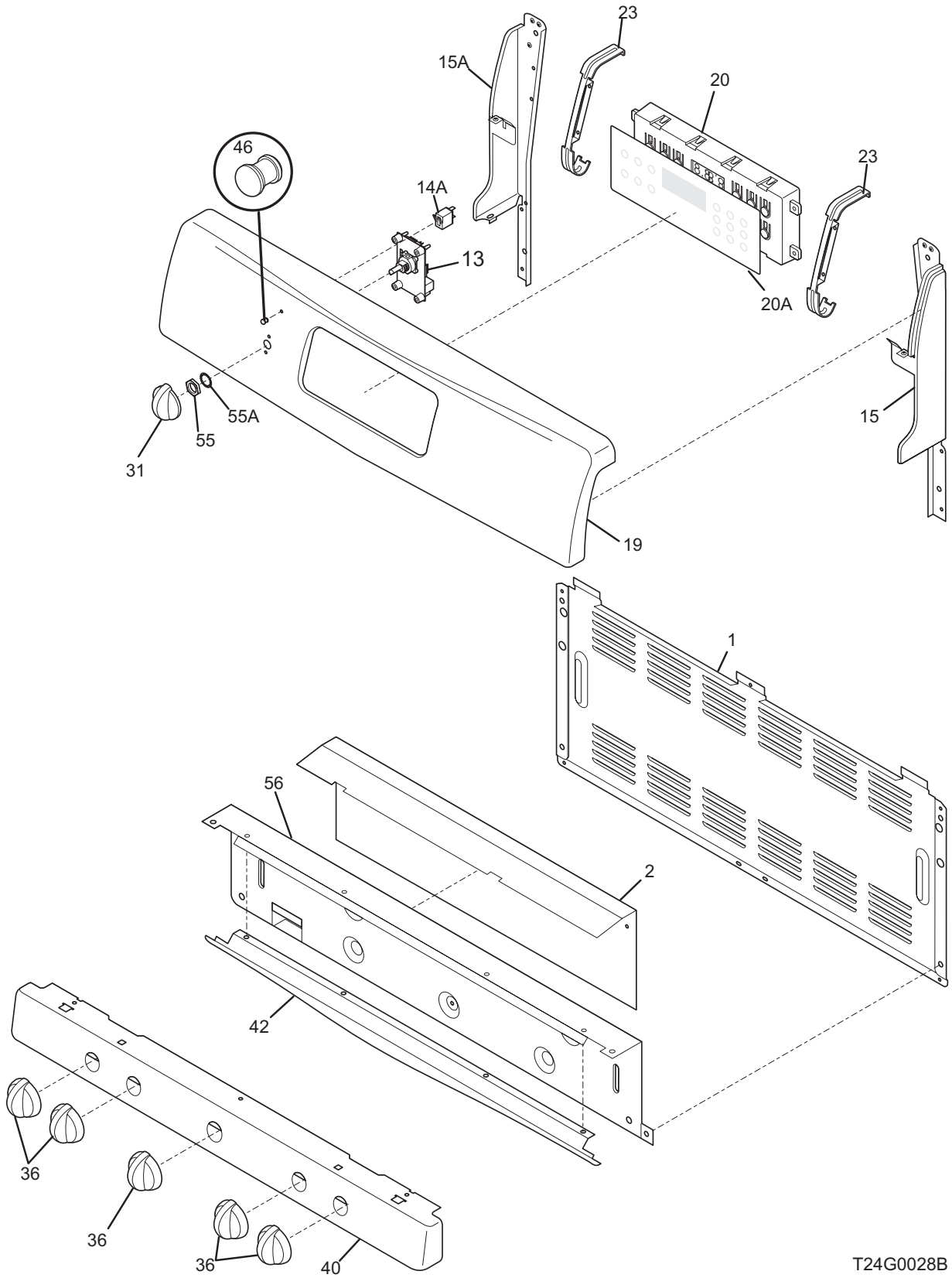
**30-INCH FREE-
STANDING GAS
RANGE**

Model No.
PLGFMZ98G

This publication replaces
Publication 5995499000

Copyright © 2008 Electrolux Home Products, Inc.
All rights reserved.

BACKGUARD



T24G0028B

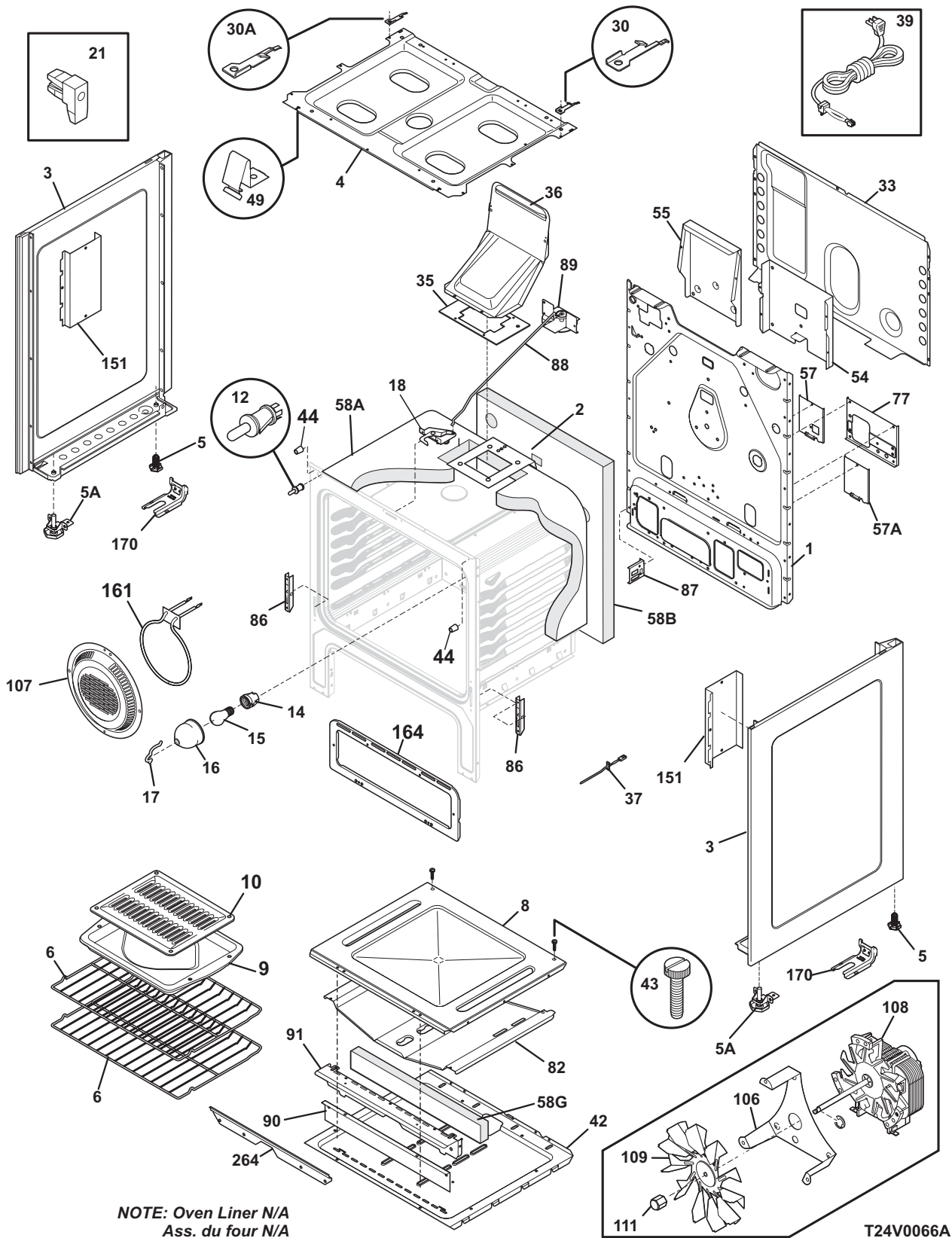
BACKGUARD

| POS. NO | PART NO. | DESCRIPTION |
|---------|-----------|---|
| 1 | 316416100 | Shield, backguard, rear wall |
| 2 | 316497600 | Shield, backguard, inner |
| 13 | 316414405 | Control, bake, mini oven |
| 14A | 316022500 | Light/Lamp, indicator, 125 V |
| 15 | 316411405 | Support, backguard, black, RH |
| 15A | 316411404 | Support, backguard, black, LH |
| 19 | 316436231 | Panel, control, stainless |
| 20 # | 316418706 | Clock/Timer, electronic, ES510 |
| 20A | 316419700 | Overlay, clock, black, w/mini oven, ES510 |
| 23 | 316419200 | Bracket, clock, (2) |
| 31 | 316223019 | Knob, control, black |
| 36 | 316220002 | Knob, top valve, black, 4 |
| 40 | 316447360 | Panel, manifold, black |
| 42 | 316416200 | Trim, extrusion, black |
| 46 | 316437800 | Lens-light/lamp, indicator, clear |
| 55 | 316247700 | Nut, mounting, (2) |
| 55A | 316247800 | Washer, lock, control mtg |
| 56 | 316230701 | Shield, backguard, inner |
| * | 316416921 | Harness, mini oven cntl |
| * | 316021105 | Screw, hex head cup pt, 8-18 x 0.375, black |
| * | 316021108 | Screw, cup pt, 8-18 x 0.375, chrome |
| * | 316021109 | Screw, 8-18 x 0.5, chrome |
| * | 316021110 | Screw, 8-18 x 0.5, black |

BURNER

| POS. NO | PART NO. | DESCRIPTION |
|---------|------------|---|
| 1 # | 316219501 | Pipe, manifold |
| 2 # | 5303935233 | Valve, 17K burner, w/mtg screw |
| 2A # | 5303935235 | Valve, 5K burner, w/mtg screw |
| 2B # | 5303935232 | Valve, 12K burner, w/mtg screw |
| 2C # | 5303935234 | Valve, 9.5K burner, w/mtg screw |
| 2D # | 5303935259 | Valve, 9.5K burner, center, w/mtg screw |
| * | 316215600 | Screw, valve mtg., 1/4 - 20 |
| 3 # | 316219006 | Wiring Harness, w/igntr switch |
| 8 | 318079001 | Module, spark |
| 10 # | 316223300 | Burner, sealed, 16/17K |
| 10A# | 316206400 | Burner, sealed, 5K |
| 10B# | 316212300 | Burner, sealed, 12K |
| 10C# | 316212400 | Burner, sealed, 9.5K |
| 10D# | 316532000 | Burner, sealed, oval, 9.5K |
| 11 # | 316430500 | Ignitor/orifice assy., top burner, right front, 16K, w/holder, tube |
| 11A# | 316430800 | Ignitor/orifice assy., top burner, right rear, 5K, w/holder, tube |
| 11B# | 316430401 | Ignitor/orifice assy., top burner, left rear, 12K, w/holder, tube |
| 11C# | 316237800 | Ignitor/orifice assy., top burner, front |
| 11D# | 316532600 | Ignitor/orifice assy., top burner, center, 9.5K, w/holder-tube |
| 13 # | 316405300 | Tube, 3/8, aluminum, rgltr to manf, with fittings |
| 14 # | 316091706 | Regulator, pressure |
| 14* | 316021104 | Screw, hex, 8-18 x 3/8, nick, (3), regulator brkt |
| 15 | 316091600 | Bracket, regulator |
| 16 # | 316405500 | Tube, valve to regul., 3/8 |
| 17 # | 316404901 | Valve, safety |
| 18 # | 316404400 | Burner, oven |
| 19 # | 316489400 | Ignitor, oven burner |
| 20 | 316401401 | Baffle, oven burner |
| 21 | 5303013272 | Nut, hex head sems |
| 22 # | 316405401 | Tube, valve to mixer |
| 23 # | 316404300 | Burner, broiler |
| 24 # | 316409700 | Elbow, mixer |
| 25 | 316401301 | Baffle, broil burner |
| 26 # | 316489401 | Ignitor, burner |
| 26* | 316401500 | Cover, broil Ignitor |
| 37 | 316240600 | Screw, assy mtg, ignitor/orifice |
| 44 | 316237912 | Orifice, top burner, 16K |
| 44A | 316237903 | Orifice, top burner, 5K |
| 44B | 316237901 | Orifice, top burner, 12K |
| 44C | 316237902 | Orifice, top burner, 9.5K |
| * # | 316253702 | Wiring Harness, ignitor module |
| * # | 316064103 | Wire, ground assembly |
| * | 316001003 | Screw, ground wire |
| * | 5303271648 | Screw, wafer hd sq dr, 8-18AB x 0.5 |

BODY



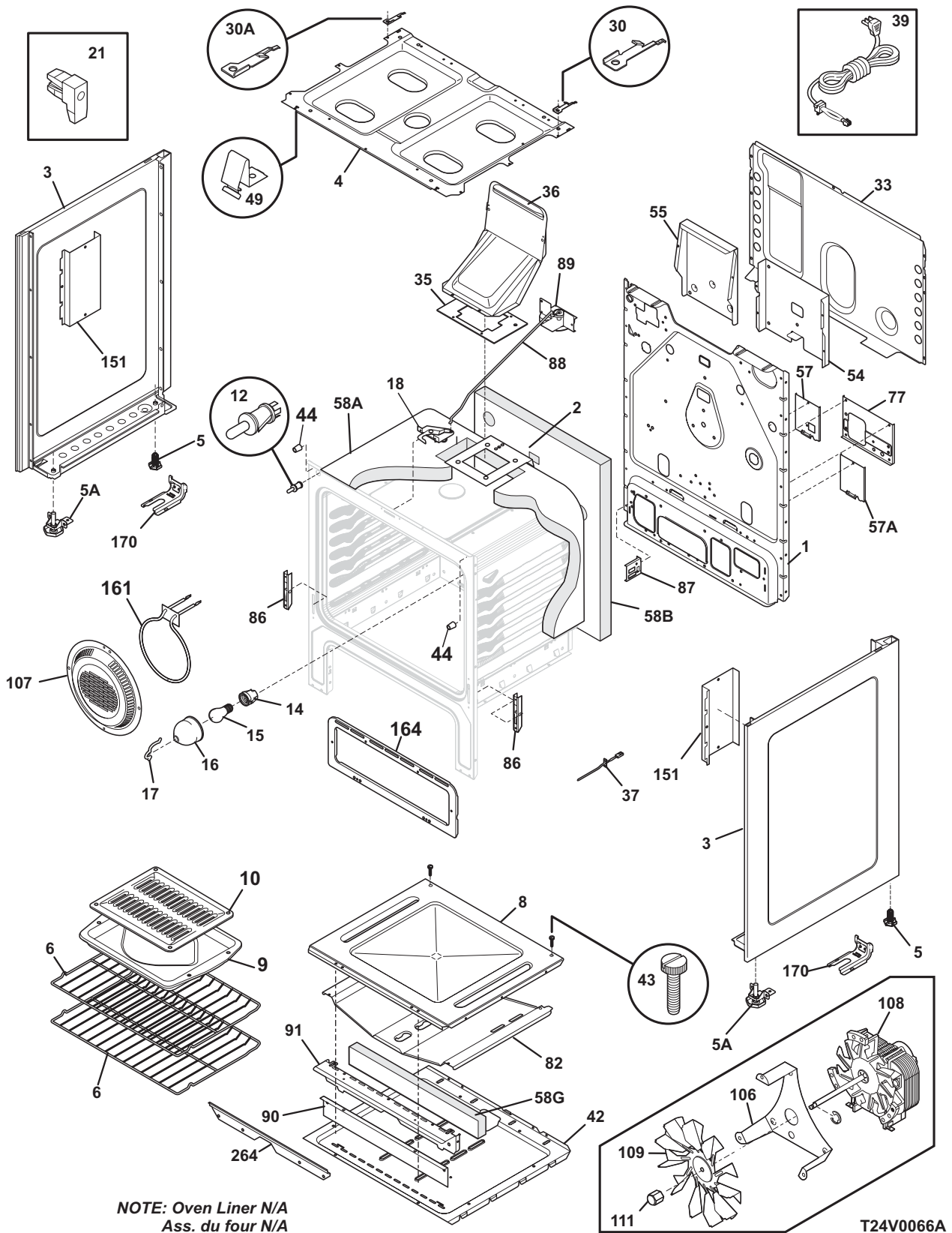
NOTE: Oven Liner N/A
Ass. du four N/A

T24V0066A

BODY

| POS. NO | PART NO. | DESCRIPTION |
|---------|------------|---|
| 1 | 316401602 | Back, main |
| 2 | 316437100 | Brace, oven top |
| 3 | 316400118 | Panel, bodyside, black, RH |
| 3 | 316400119 | Panel, bodyside, black, LH |
| 4 | 316201403 | Burner Box |
| 5 | 316272900 | Screw, leveling, plastic, rear, (2) |
| 5A | 316498900 | Leveling Leg Assy, metal, front, (2), bracket & leg |
| 6 | 316496207 | Rack, oven, (3) |
| 8 | 316400603 | Panel, oven bottom |
| 9 | 316081900 | Pan, broilerOPTIONAL ACCESSORY |
| 10 | 316082000 | Insert, broiler panOPTIONAL ACCESSORY |
| 12 | 316445500 | Switch, oven light, door frame |
| 14 | 316116400 | Receptacle, oven light |
| 15 | 5303013071 | Bulb/Lamp, light |
| 16 | 08011086 | Lens, oven light, glass |
| 17 | 316087500 | Retainer, lens |
| 18 # | 316405800 | Latch Assembly, oven door |
| 21 | 316408000 | Clip, bodyside |
| 30 | 316217700 | Bracket, hinge, RH, main top |
| 30A | 316217701 | Bracket, hinge, LH, main top |
| 33 | 316402500 | Shield, rear wall |
| 35 | 316116600 | Gasket, flue |
| 36 | 316208901 | Flue |
| 37 # | 316490000 | Probe, oven temp |
| 39 # | 3131425 | Cord, electric power |
| 42 | 316400703 | Shield, wool, lower |
| 43 | 3131732 | Screw, 8-18 x 1.438, oven bottom |
| 44 | 316517600 | Spacer, oven door |
| 49 | 316234200 | Clip, maintop mtg, (2) |
| 54 | 316404200 | Shield, heat |
| 55 | 316404800 | Shield, flue |
| 57 | 316451100 | Cover, access, w/ holes |
| 57A | 316451101 | Cover, access, w/o holes |
| 58A | 316403700 | Insulation, oven wrapper |
| 58B | 316403600 | Insulation, oven back |
| 58G | 08067973 | Insulation, main front |
| 77 | 316451200 | Plate, mounting, safety valve |
| 82 | 316400801 | Shield, bake burner |
| 82* | 316432800 | Clip, wire |
| 86 | 316441300 | Receptacle, hinge |
| 86* | 316418901 | Screw, trilobe, 10-32 x 5/16" |
| 87 | 316451000 | Bracket, harness, mini oven |
| 88 | 316232700 | Rod, auto latch |
| 89 # | 316415400 | Motor, latch/lock |
| 90 | 316401100 | Shield, main front |
| 91 | 316401000 | Shield, front, burner |
| 106 | 316404100 | Bracket, motor mtg. |
| 107 | 316026701 | Cover, fan |
| 108# | 316415700 | Motor, convection |
| 109 | 316136400 | Blade, fan |
| 111 | 316136600 | Nut, fan retainer |

BODY



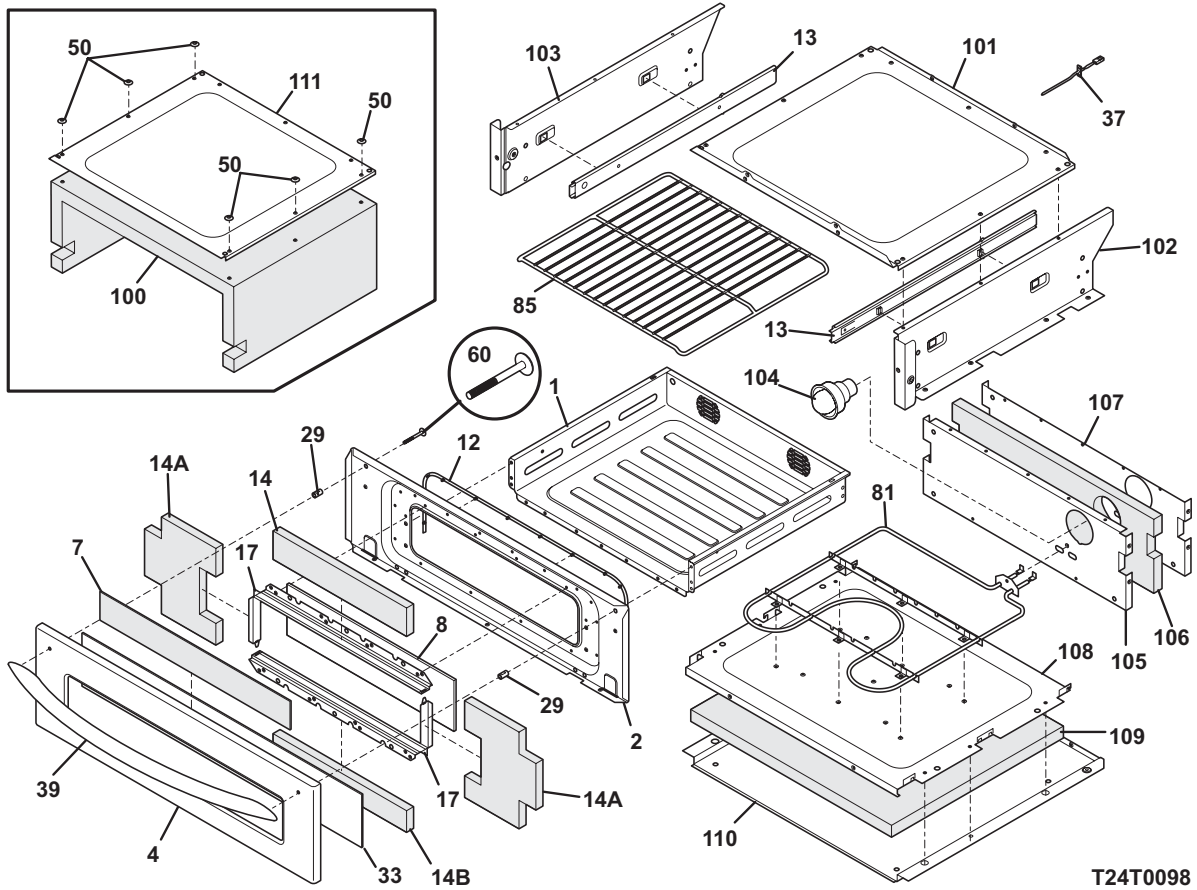
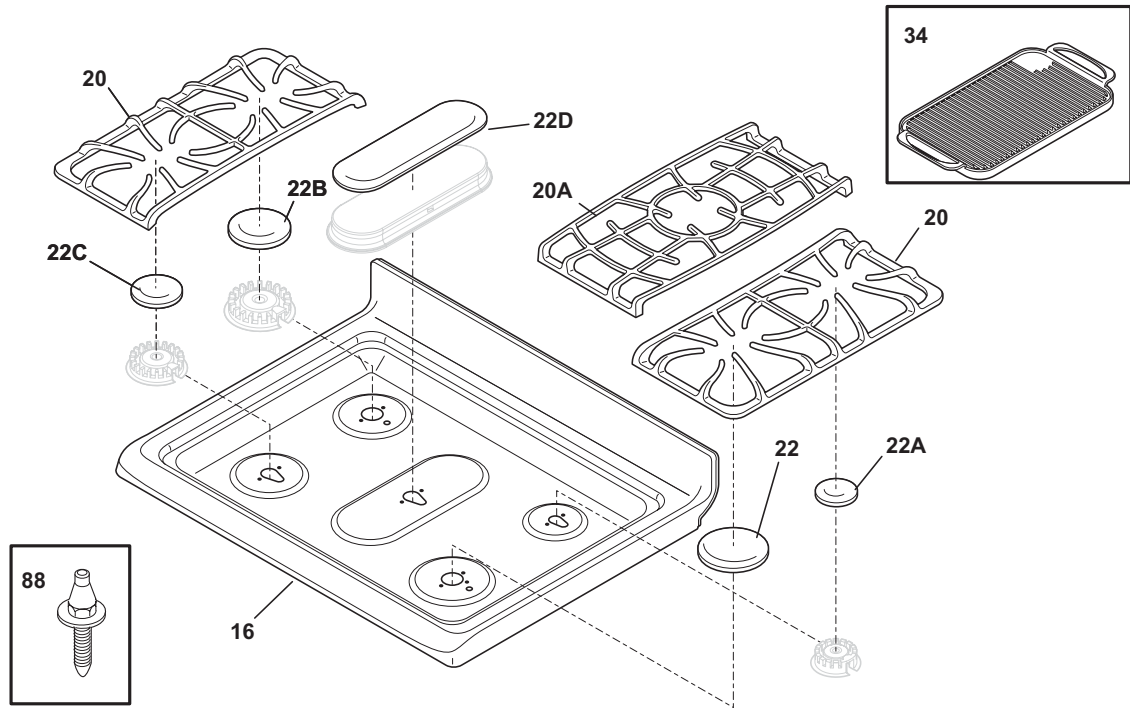
NOTE: Oven Liner N/A
Ass. du four N/A

T24V0066A

BODY

| POS. NO | PART NO. | DESCRIPTION |
|---------|------------|---|
| 151 | 316404600 | Shield, bodyside |
| 161# | 316211604 | Element, convection fan, 200 W |
| 164 | 316450301 | Trim, front, mini oven |
| 170 | 5303935180 | Anti-tip Kit, w/bracket, screw |
| 170* | 316107200 | Bracket, anti-tip |
| 170* | 316112500 | Template, anti-tip |
| 170* | 316116000 | Screw, concrete, 1.75", anti-tip brkt |
| 264 | 316404700 | Bracket, air dam |
| * # | 316416650 | Harness, wiring, main |
| * | 316021105 | Screw, hex head cup pt, 8-18 x 0.375, black |
| * | 316021108 | Screw, cup pt, 8-18 x 0.375, chrome |
| * | 316021110 | Screw, 8-18 x 0.5, black |
| * | 316021132 | Screw, 8-18 X 11/16, black |
| * | 316089500 | Screw, 10-16 x .486 |
| * | 5303271648 | Screw, wafer hd sq dr, 8-18AB x 0.5 |
| * | 5303285179 | Screw, wafer head, 8-32T x 0.500, black |

TOP/DRAWER

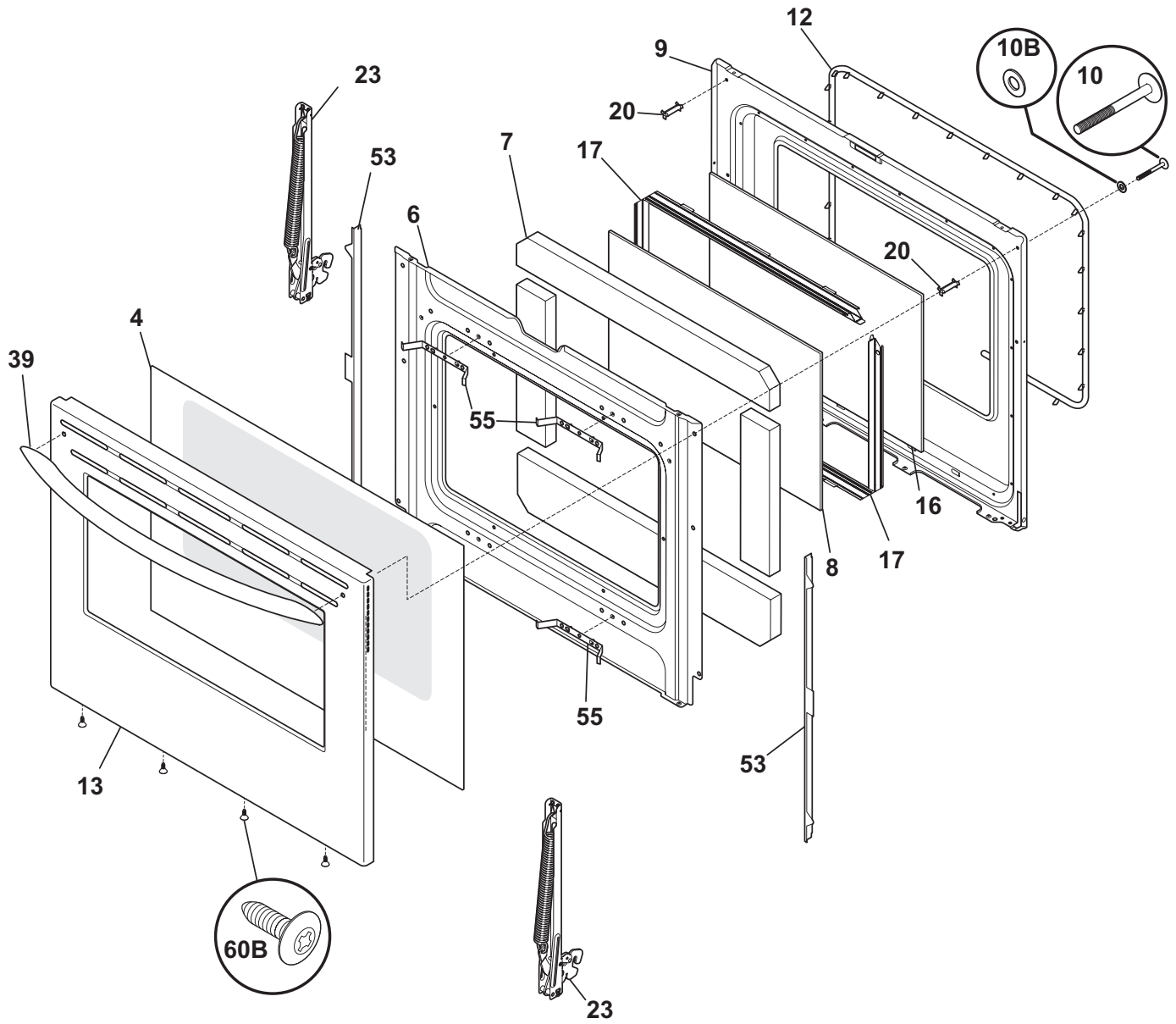


T24T0098

TOP/DRAWER

| POS. NO | PART NO. | DESCRIPTION |
|---------|-----------|---|
| 1 | 316414105 | Drawer, mini oven |
| 2 | 316450003 | Liner, drawer, mini oven, w/window |
| 4 | 316450205 | Panel, drawer, stainless, outer |
| 7 | 316437201 | Insulator, heat, drawer front |
| 8 | 316431902 | Glass, inner door, mini oven |
| 12 | 316410702 | Seal, door, mini oven |
| 13 | 316449800 | Glide, drawer, mini oven, (2) |
| 14 | 316451502 | Insulation, door top, mini oven |
| 14A | 316451501 | Insulation, door sides, mini oven, (2) |
| 14B | 316414203 | Insulation, door bottom, mini oven |
| 16 | 316411243 | Maintop, black |
| 17 | 316450101 | Spacer, glass, mini oven, (2) |
| 20 | 316499502 | Grate, black, (2) |
| 20A | 316499602 | Grate, black, center |
| 22 | 316271904 | Cap, 16/17K burner, black |
| 22A | 316206604 | Cap, 5K burner, black |
| 22B | 316213605 | Cap, 12K burner, black |
| 22C | 316213505 | Cap, 9.5K burner, black, (2) |
| 22D | 316532103 | Cap, 9.5K burner, oval, black, center |
| 29 | 316429000 | Spacer, handle, (2) |
| 33 | 316432001 | Glass, drawer, front |
| 34 | 316499900 | Griddle |
| 37 # | 316217004 | Probe, oven temp, mini oven |
| 39 | 316246100 | Handle, door/drawer, stainless |
| 50 | 316452100 | Fastener, push nut, (6) |
| 60 | 316001015 | Screw, waf hd sq, 10-24 x 1.25, (2), handle mtg |
| 81 # | 316450903 | Element, bake, mini oven |
| 85 | 316411000 | Rack, mini oven |
| 88 | 316099500 | Pin, guide, (2) |
| 100 | 316451300 | Insulation, wrapper, mini oven |
| 101 | 316410201 | Panel, top, mini oven |
| 102 | 316450501 | Panel, side, RH, mini oven |
| 103 | 316450503 | Panel, side, LH, mini oven |
| 104 | 316431500 | Light Assembly, mini oven |
| 105 | 316450803 | Panel, back, mini oven |
| 106 | 316451400 | Insulation, back, mini oven |
| 107 | 316451601 | Shield, main back, mini oven |
| 108 | 316410101 | Panel, bottom, mini oven |
| 109 | 316410800 | Insulation, floor, mini oven |
| 110 | 316410401 | Shield, floor, mini oven |
| 111 | 316450401 | Shield, top, mini oven |
| * | 316452200 | Clip, wire |
| * | 316416919 | Harness, mini oven cntl |
| * | 316021105 | Screw, hex head cup pt, 8-18 x 0.375, black |
| * | 316021108 | Screw, cup pt, 8-18 x 0.375, chrome |
| * | 316021109 | Screw, 8-18 x 0.5, chrome |
| * | 316021110 | Screw, 8-18 x 0.5, black |

DOOR



T24D0049

DOOR

| POS. NO | PART NO. | DESCRIPTION |
|---------|------------|---|
| 4 | 316452701 | Glass, oven door, black, outer |
| 6 | 316402306 | Shield, wool |
| 7 | 316403900 | Insulation, oven door |
| 8 | 316117500 | Glass, oven door, heat barrier |
| 9 | 316423801 | Liner, oven door |
| 10 | 316001002 | Screw, wafer head, 10-24 x 1.81, (2), handle mtg. |
| 10B | 316008401 | Washer, 3/4 OD x 1/4 ID, steel |
| 12 | 316403101 | Seal, oven door |
| 13 | 316407810 | Panel, oven door, stainless, w/nameplate |
| 16 | 316117501 | Glass, oven door, inner |
| 17 | 316402403 | Spacer, door glass, (2) |
| 20 | 316408600 | Spacer, door handle, (2) |
| 23 | 316456306 | Hinge, oven door, (2) |
| 23* | 316418900 | Screw, sims lp, #8-32 x 5/16", black |
| 39 | 316246100 | Handle, door/drawer, stainless |
| 53 | 316408101 | Shield, filler, door, (2) |
| 55 | 316408300 | Bracket, glass support, (4) |
| 60B | 316021110 | Screw, 8-18 x 0.5, black |
| * | 316433603 | Label, anti-tip |
| * | 316021109 | Screw, 8-18 x 0.5, chrome |
| * | 5303271648 | Screw, wafer hd sq dr, 8-18AB x 0.5 |
| * | 5303285179 | Screw, wafer head, 8-32T x 0.500, black |