

# Freestanding Range

CFEF3050LS

30" Electric



## Signature Features

### Ready-Select™ Controls

Select options or control cooking temperature with our easy-to-use controls.

### Fits-More™ Cooktop

The Fits-More™ cooktop features five elements so you can cook more at once.

### Large Capacity

Our large capacity oven gives you room to cook more at once.

### One-Touch Self Clean

Start the self-cleaning cycle with just the touch of a button.

## Product Dimensions

Height	47"
Width	29-7/8"
Depth	28-1/2"

## More Easy-To-Use Features

### SpaceWise™ Expandable Element

Flexible element expands to your cooking needs.

### Keep Warm Zone

Keep food warm until everything — and everyone — is ready.

### Even Baking Technology

Our latest technology ensures even baking every time.

### Store-More™ Storage Drawer

Our convenient drawer gives you extra storage space in your kitchen.

### Quick Clean

For a quick, light oven cleaning.

### Extra-Large Window

Our extra-large oven window lets you easily see what's inside.

### Delay Start Baking Option

### Delay Clean

Set the oven to begin cleaning on your schedule.

### Hi/Lo Broil Option

Offers two-position broiling and variable temperature control for more control.

### Auto Shut-Off

As an extra safety measure, the oven will automatically shut off after 12 hours.

## Attractive Stainless Steel Exterior

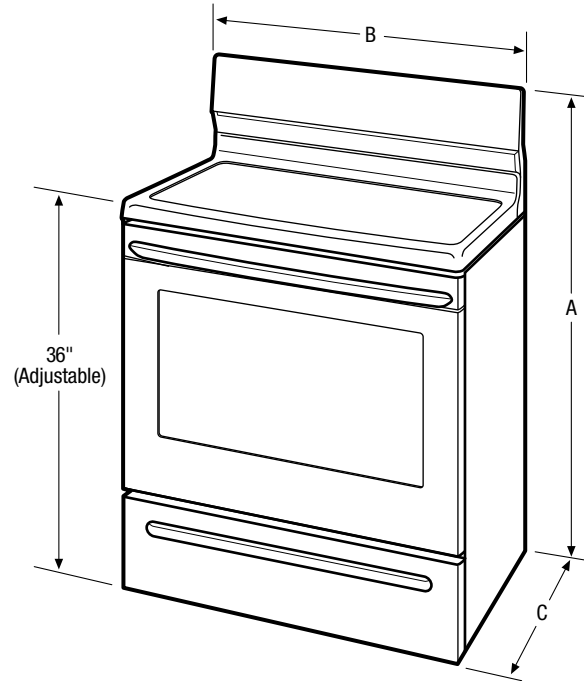
Available in:



Stainless  
(S)

Elements	Size	Watts
Right Front	9"/12" Expandable	2,700
Right Rear	6"	1,200
Left Front	9"	2,500
Left Rear	6"	1,200
Center	Keep Warm Zone	100

Features	
Oven Control/Timing System	Ready-Select™ Controls
Surface Type	Black Ceramic Glass
Window	Extra-Large
Exterior Door Finish	Stainless Steel
Handle Design	Stainless Steel
Exterior Finish	Black
Convection System	
Cleaning System	Self Clean
Drawer Functionality	Storage
Oven Controls	
Bake	Yes
Broil	Low and High
Add-a-Minute	
Delay Bake	Yes
Self-Clean	Yes
Quick Clean Option	Yes
Delay Clean	Yes
Kitchen Timer	Yes
Timed Cook Option	Yes
Auto Oven Shutoff	12 Hours
Cooktop Features	
Right Front Element (Watts)	9"/12" Expandable - 2,700
Right Rear Element (Watts)	6" - 1,200
Left Front Element (Watts)	9" - 2,500
Left Rear Element (Watts)	6" - 1,200
Center Element (Watts)	Keep Warm Zone - 100
Drip Bowls	
Hot Surface Indicator Light	
Oven Features	
Capacity (Cu. Ft.)	5.4
Oven Light	Yes
Hidden Bake Element	Yes
Rack Configuration	2 Standard
Even Baking System	Yes
Broiling System	Vari-Broil™ Hi/Lo
Bake Element/Broil Element (Watts)	3,500/3,600
Specifications	
Oven Interior (H x W x D)	21" x 24-3/8" x 19-1/8"
Power Supply Connection Location	Centerline Lower Rear
Voltage Rating	240V/208V
Connected Load (kW Rating) @ 240/208 Volts	12.5/9.5
Minimum Circuit Required (Amps)	40
Shipping Weight (Approx.)	140 Lbs.



NOTE: Always consult local and national electric codes. Refer to Product Installation Guide for detailed installation instructions on the web at [frigidaire.ca](http://frigidaire.ca).



Product Dimensions		Cutout Dimensions	
A - Height	47"	Height	36"
B - Width	29-7/8"	Width	30"
C - Depth	28-1/2"	Depth	24"
Depth with Door Open 90°	48-3/8"		

Accessories information available on the web at [frigidaire.ca](http://frigidaire.ca)