



Freestanding Range

CPIF3093LF

30" Induction



Product Dimensions

| | |
|---------------|---------|
| Height (Max.) | 47" |
| Width | 29-7/8" |
| Depth | 28-1/2" |

More Easy-To-Use Features

Pro-Select® Controls

Precise control at your fingertips.

Versatile Induction Elements

Features four elements with induction technology, including a powerful 10" element with up to 3,400 watts of power to bring water to a boil quickly.

Cookware Compatibility

Most stainless steel and cast iron cookware is compatible with induction elements. An easy rule of thumb: if a magnet sticks to the bottom of the cookware, it's induction-friendly.

PowerPlus® Boost

Generates rapid heat for a quicker boil.

More Energy Efficient

Cooking with induction is 70% more efficient than gas and 20% more efficient than electric.

Keep Warm Drawer

A place to keep food warm until everything — and everyone — is ready.

One-Touch Keep Warm Setting

One-Touch Options

Our ovens feature easy-to-use one-touch buttons so you can cook pizza or chicken nuggets — or even add a minute to the timer — with the touch of a button.

Sabbath Mode (Star-K® Certified)

Available in:



Stainless
(F)

| Elements | Size | Watts |
|-------------|---------------|-------------|
| Right Front | Induction 10" | 2,400/3,400 |
| Right Rear | Induction 6" | 1,500/1,900 |
| Left Front | Induction 8" | 2,400/3,400 |
| Left Rear | Induction 7" | 1,900/2,600 |

Signature Features



Cooking Versatility

Gentle enough to melt chocolate and powerful enough to boil water, so it's great for entertaining or getting dinner on the table quickly.



More Responsive

Cooking with induction is more responsive than gas or electric so you can easily go from simmer to boil.



Fits-More™ Oven

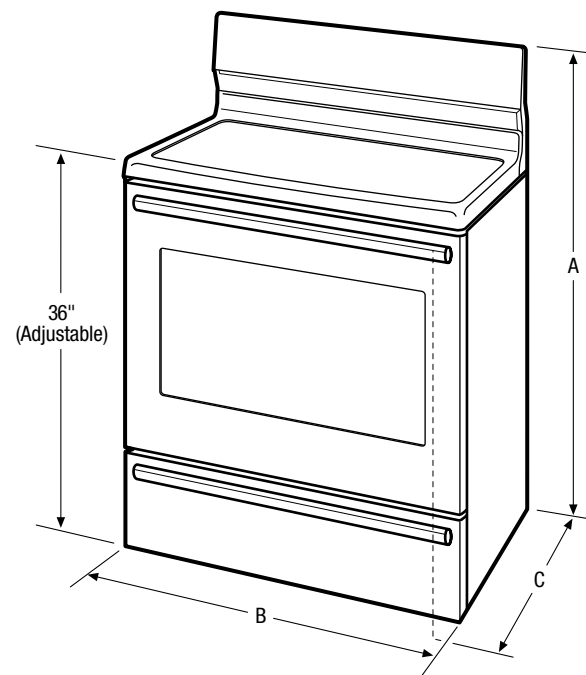
More cooking space — plus even cooking.



True Convection

Multi-rack baking is faster and more even with True Convection.

| Features | |
|--|--|
| Oven Control/Timing System | Pro-Select® Controls |
| Surface Type | Black Ceramic Glass |
| Window | Wide-View with Pro-Tint Finish |
| Exterior Door Finish | Real Stainless Steel |
| Handle Design | Stainless Steel |
| Exterior Finish (Side Panels) | Black |
| Convection System | True Convection |
| Oven Cleaning System | Self Clean |
| Drawer Functionality | Warmer |
| Oven Controls | |
| Bake/Broil | Yes/Variable (400 - 550 °F) |
| Effortless™ Convection Conversion | Yes |
| Convection Bake/Broil/Roast | Yes/Yes/Yes |
| Quick Bake Convection | |
| PowerPlus® Preheat | Yes |
| My Favourite | Yes |
| Chicken Nugget Button | Yes |
| Pizza Button | Yes |
| Keep Warm | Yes |
| Add-a-Minute | Yes |
| Delay Bake | Yes |
| Self Clean | 2, 3, 4 Hours |
| Rapid Clean Option | Yes |
| Delay Clean | Yes |
| Kitchen Timer/Timed Cook Option | Yes/Yes |
| Auto Oven Shutoff | 6 Hours |
| Lower Drawer Control | Warmer, Low-Med-High |
| Cooktop Features | |
| Right Front Element (Watts) | Induction 10" - 2,400/3,400 |
| Right Rear Element (Watts) | Induction 6" - 1,500/1,900 |
| Left Front Element (Watts) | Induction 8" - 2,400/3,400 |
| Left Rear Element (Watts) | Induction 7" - 1,900/2,600 |
| Bridge Element (Watts) | |
| Center Element (Watts) | |
| Oven Features | |
| Capacity (Cu. Ft.) | 6.0 |
| Oven Light | 1 |
| Hidden Bake Element | Yes |
| Rack Configuration | 1 Heavy-Duty, 1 SpaceWise® Half Rack, 1 Effortless™, 1 Deep-Sump |
| Baking System | Even Baking Technology |
| Broiling System | PowerPlus® Broil |
| Bake Element/Broil Element (Watts) | 3,500/3,900 |
| Drawer Racks | 1 Rack |
| Certifications | |
| Sabbath Mode (Star-K® Cert.) | Yes |
| Specifications | |
| Oven Interior (H x W x D) | 22-1/4" x 24-3/8" x 19-1/8" |
| Power Supply Connection Location | Middle Bottom Rear |
| Voltage Rating | 240V/208V/60Hz |
| Connected Load (kW Rating) @ 240/208 Volts | 15.0/11.5 |
| Minimum Circuit Required (Amps) | 40 |
| Shipping Weight (Approx.) | 230 Lbs. |



NOTE: For planning purposes only. Always consult local and national electric codes. Refer to Product Installation Guide for detailed installation instructions on the web at frigidaire.ca.



| Product Dimensions | | Cutout Dimensions | |
|--------------------------|---------|-------------------|-----|
| A - Height (Max.) | 47" | Height (Standard) | 36" |
| B - Width | 29-7/8" | Width (Min.) | 30" |
| C - Depth | 28-1/2" | Depth (Min.) | 24" |
| Depth with Door Open 90° | 48-3/4" | | |

Accessories information available on the web at frigidaire.ca