



Dryer

FARE4044MW

14 Dry Cycles
7.0 Cu. Ft. D.O.E. Electric



Product Dimensions

Height	43"
Width	27"
Depth	29"

More Easy To Use Features

One-Touch™ Wrinkle Release
This option features Wrinkle Release Technology that finishes by tumbling without heat, preventing wrinkles, so your clothes look great every time.

Multiple Settings
Features cycles to meet all of your drying needs from Wrinkle Release and Shrink Guard to Line Dry and an Energy Saver Option that saves even more energy.

Specialty Cycles
Features cycles especially for Jeans or Kid's Wear.

TimeWise® Technology
TimeWise® Technology ensures wash time equals dry time — so you don't wait for clothes to dry.

NSF® Certified

No-Wash Sanitize Cycle
A convenient option to quickly sanitize or refresh items without washing. Perfect for delicate items or children's plush toys.

Allergen Cycle
Uses high heat to reduce allergens in clothes.

Express-Select® Controls
Easily select options and cycles with the touch of a button.

Line Dry Option
Dries clothes without heat to save up to 50% in energy versus a normal cycle.

SilentDesign™
Designed for quiet operation.



NSF® International Certification

Available in:



Classic White (W)

Based on a common 8 lb. AHAM load as compared to not using Energy Saver Option for the same model.

Signature Features

DrySense™ Technology

Dries your clothes more precisely, reducing wrinkles.

Quick Dry

Dries even extra-large loads quickly and efficiently.

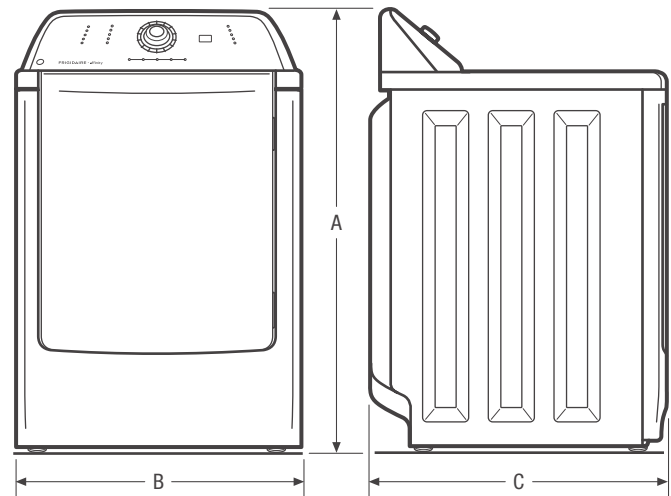
Fits-More™ Dryer

Dry more in one load with our large, 7.0 cu. ft. interior.

Energy Saver Option

Reduces energy use up to 20%.¹

Features	
Total Capacity D.O.E. (Cu.Ft.)	7.0
Controls	Express-Select®
Dryer Drum Interior	Stainless Steel
Interior Light	Yes
Framed Glass Window Door	Yes
DrySense™ Technology	Yes
Wrinkle Release Technology	Yes
TimeWise® Technology	Yes
Moisture Sensor	Yes
Estimated Time Remaining	Yes
Cycle Status Lights	Yes
Cycle Signal	Chime
Cycle Signal "On/Off"	Yes
Control Lock	Yes
Start / Pause / Cancel Knobs	Yes
Delay Start	Up to 12 Hours
Tumble Speed (RPM)	50
Reversible Door	Yes
Lint Screen	Yes
Sound Package	SilentDesign™
Adjustable Leveling Legs	4
Cycles	
Dry Cycles	14
Specialty Cycles	2
Options	
Temperature Selections	5
Dryness Level Selections	5
Timed Dry	60, 75, 90
Energy Saver Option	Yes
Optional Accessories	
Mobile Home Installation Kit	PN# 137067200
Drying Rack	PN# 137067300
Certifications	
NSF® Certified	Yes
Specifications	
Maximum Exhaust Duct Length¹ (Ft.)	64
Power Supply Connection Location	Rear
Voltage Rating	240V / 60Hz / 30A
Connected Load (kW Rating) @ 240 Volts	5.4
Amps @ 240 Volts	24
Heating Element @ 240 Volts (Watts)	4,700
Shipping Weight (Approx.)	143 Lbs.



¹Rigid metal duct preferred, semi-rigid optional and allow deductions for elbows and vents. Refer to Installation Guide on web for additional information.

NOTE: For planning purposes only. Always consult local and national electric codes. Refer to Product Installation Guide for detailed installation instructions on the web at frigidaire.com.



Product Dimensions	
A - Height	43"
B - Width	27"
C - Depth	29"
Depth with Door Open 90°	50"

Accessories information available on the web at frigidaire.com