



## Dryer

CARE4044MW

14 Dry Cycles  
7.0 Cu. Ft. I.E.C. Electric



### Product Dimensions

Height	43"
Width	27"
Depth	29"

### More Easy To Use Features

#### One-Touch™ Wrinkle Release

This option features Wrinkle Release Technology that finishes by tumbling without heat, preventing wrinkles, so your clothes look great every time.

#### Multiple Settings

Features cycles to meet all of your drying needs from Wrinkle Release and Shrink Guard to Line Dry and an Energy Saver Option that saves even more energy.

#### Specialty Cycles

Features cycles especially for Jeans or Kid's Wear.

#### TimeWise® Technology

TimeWise® Technology ensures wash time equals dry time — so you don't wait for clothes to dry.

#### NSF® Certified

#### No-Wash Sanitize Cycle

A convenient option to quickly sanitize or refresh items without washing. Perfect for delicate items or children's plush toys.

#### Allergen Cycle

Uses high heat to reduce allergens in clothes.

#### Express-Select® Controls

Easily select options and cycles with the touch of a button.

#### Line Dry Option

Dries clothes without heat to save up to 50% in energy versus a normal cycle.

#### SilentDesign™

Designed for quiet operation.

## Signature Features

### DrySense™ Technology

Dries your clothes more precisely, reducing wrinkles.

### Quick Dry

Dries even extra-large loads quickly and efficiently.

### Fits-More™ Dryer

Dry more in one load with our large, 7.0 cu. ft. interior.

### Energy Saver Option

Reduces energy use up to 20%.<sup>1</sup>



NSF® International Certification

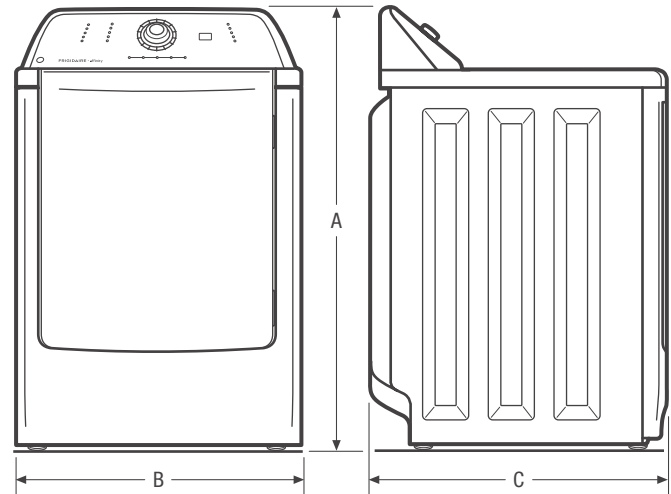
### Available in:



Classic White (W)

<sup>1</sup>Based on a common 8 lb. AHAM load as compared to not using Energy Saver Option for the same model.

Features	
Total Capacity I.E.C. (Cu.Ft.)	7.0
Controls	Express-Select®
Dryer Drum Interior	Stainless Steel
Interior Light	Yes
Framed Glass Window Door	Yes
DrySense™ Technology	Yes
Wrinkle Release Technology	Yes
TimeWise® Technology	Yes
Moisture Sensor	Yes
Estimated Time Remaining	Yes
Cycle Status Lights	Yes
Cycle Signal	Chime
Cycle Signal "On/Off"	Yes
Control Lock	Yes
Start / Pause / Cancel Knobs	Yes
Delay Start	Up to 12 Hours
Tumble Speed (RPM)	50
Reversible Door	Yes
Lint Screen	Yes
Sound Package	SilentDesign™
Adjustable Leveling Legs	4
Cycles	
Dry Cycles	14
Specialty Cycles	2
Options	
Temperature Selections	5
Dryness Level Selections	5
Timed Dry	60, 75, 90
Energy Saver Option	Yes
Optional Accessories	
Mobile Home Installation Kit	PN# 137067200
Drying Rack	PN# 137067300
Certifications	
NSF® Certified	Yes
Specifications	
Maximum Exhaust Duct Length¹ (Ft.)	64
Power Supply Connection Location	Rear
Voltage Rating	240V / 60Hz / 30A
Connected Load (kW Rating) @ 240 Volts	5.4
Amps @ 240 Volts	24
Heating Element @ 240 Volts (Watts)	4,700
Shipping Weight (Approx.)	143 Lbs.



¹Rigid metal duct preferred, semi-rigid optional and allow deductions for elbows and vents. Refer to Installation Guide on web for additional information.

NOTE: For planning purposes only. Always consult local and national electric codes. Refer to Product Installation Guide for detailed installation instructions on the web at [frigidaire.ca](http://frigidaire.ca).



Product Dimensions	
A - Height	43"
B - Width	27"
C - Depth	29"
Depth with Door Open 90°	50"

Accessories information available on the web at [frigidaire.ca](http://frigidaire.ca)