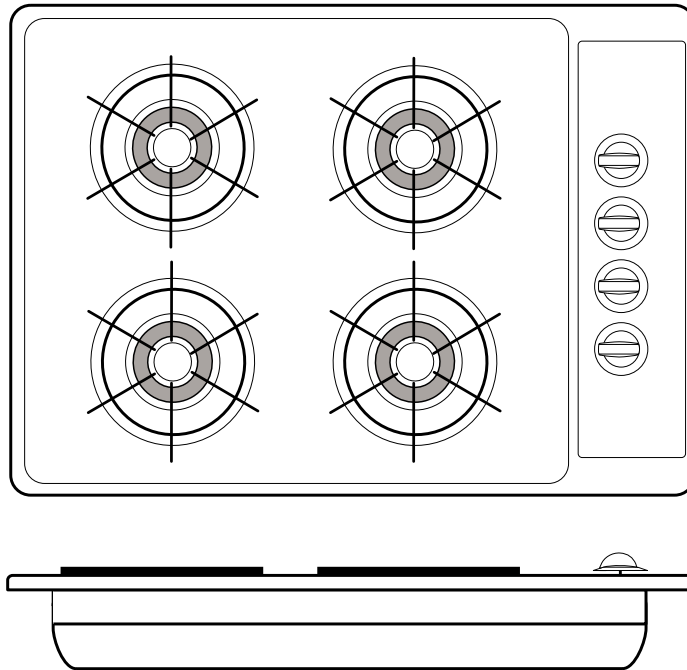


FACTORY PARTS CATALOG RANGE

Frigidaire



PRODUCT NO.	BASE MODEL NO.	FACTORY NO.	COLOR	MARKET
FGC30C3AUA	FGC30C3A	3775421131061	bisque	North America
FGC30C3AWA	FGC30C3A	3775421131011	white	North America

WIRING DIAGRAM - # 318047105
OWNER'S GUIDE - # 318200658
INSTALLATION INSTRUCTIONS - # 318201452

Electrolux

ELECTROLUX HOME PRODUCTS NORTH AMERICA
 P.O. BOX 212378, Augusta, GA 30917

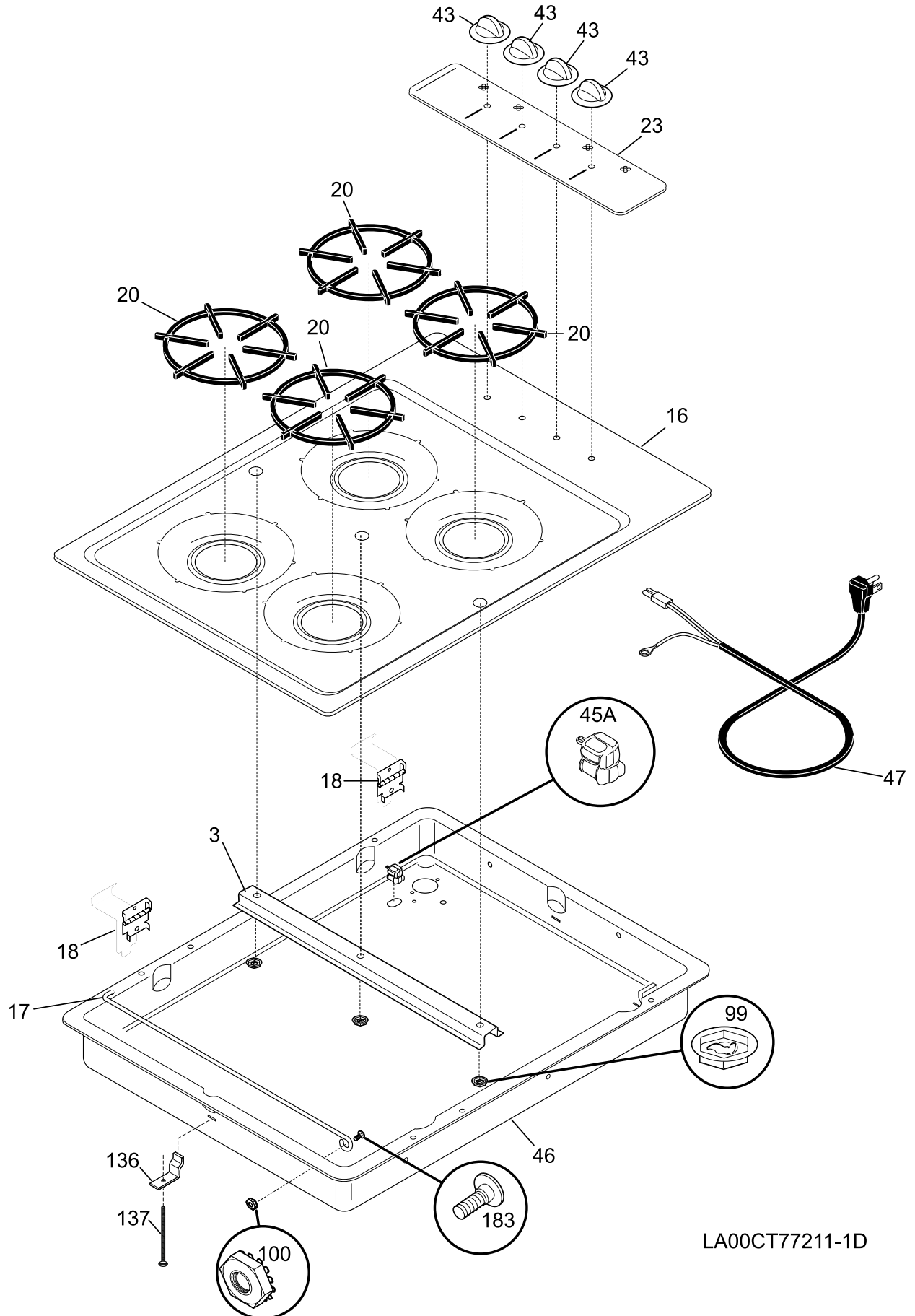
Publication No.
 5995361168
 011115
 -EN/SERVICE /ECL
 377

GAS
COOKTOP

Model No.
FGC30C3A

©2001 White Consolidated Industries, Inc.
 All rights reserved

COOK TOP



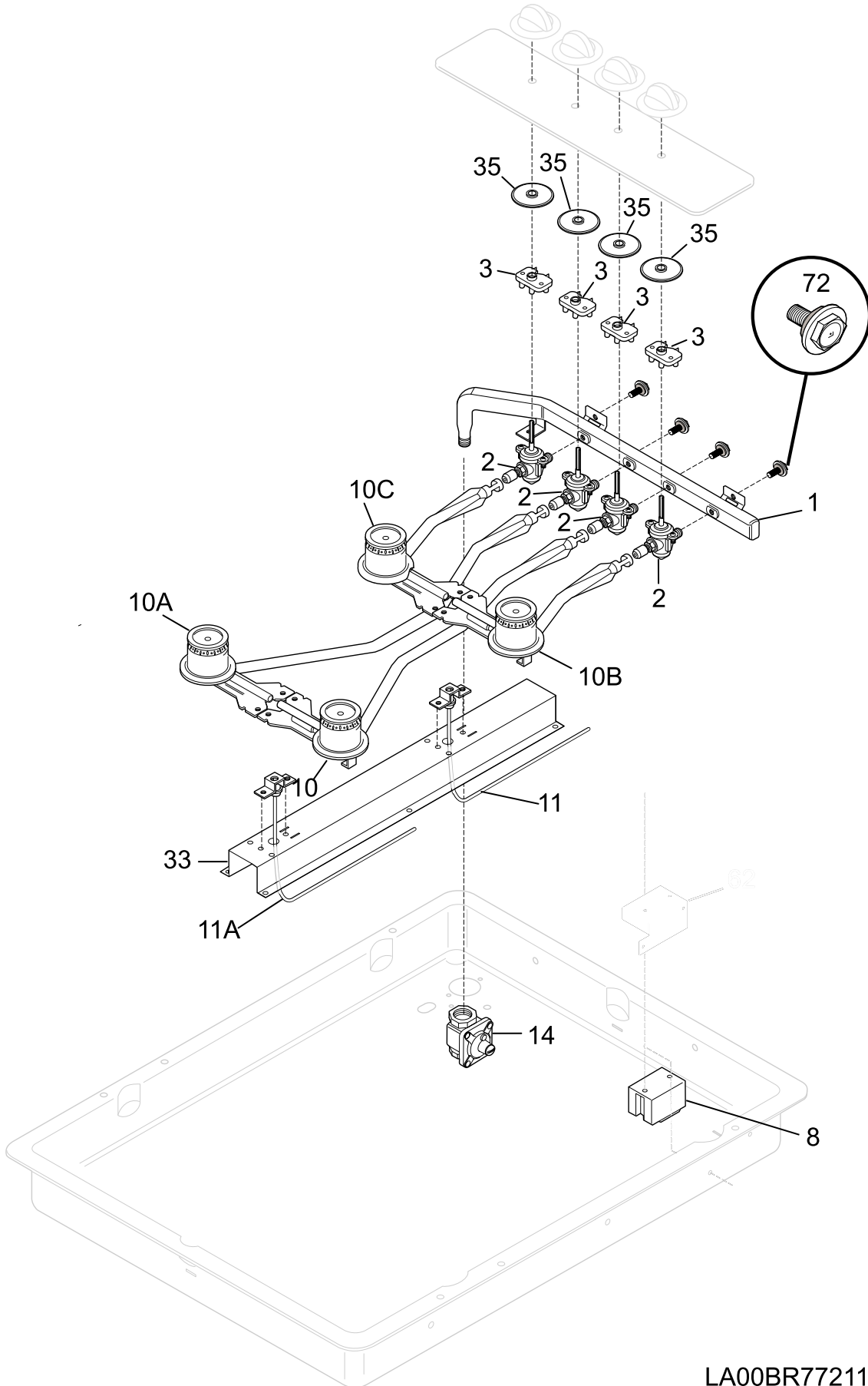
LA00CT77211-1D

COOK TOP

A = FGC30C3A (FGC30C3AWA)
B = FGC30C3A (FGC30C3AUA)

POS. NO	PART NO		DESCRIPTION
3	5303305547	A B	Channel,top stiffener
16	318159116	A -	Main Top,white
16	318159117	- B	Panel,main top ,bisque
17	3016817	A B	Rod,maintop support
18	318074310	A B	Hinge,maintop ,(2)
20	316040807	A B	Grate,black ,(4)
23	318021616	A B	Panel,overlay ,black
43	318196104	A B	Knob,control ,black
45A	3201437	A B	Strain relief
46	318077411	A B	Burner Box
47 #	5303303991	A B	Cord,electric power
99	5303324192	A B	Self nut
100	5303325982	A B	Nut,Keps ,10-32
136	5303935029	A B	Support
137	5303323138	A B	Screw,10-24x1/2
183	5304410665	A B	Screw,10-32 x 5/8
*	5303311306	A B	Screw,8-18 x 0.375
*	5303311333	A B	Screw,8-32 x 3/8 ,(6)
*	5303311532	A B	Screw,6-32 x 1/4" ,back
*	5303323140	A B	Screw,ground ,10-32 x 0.375

BURNER



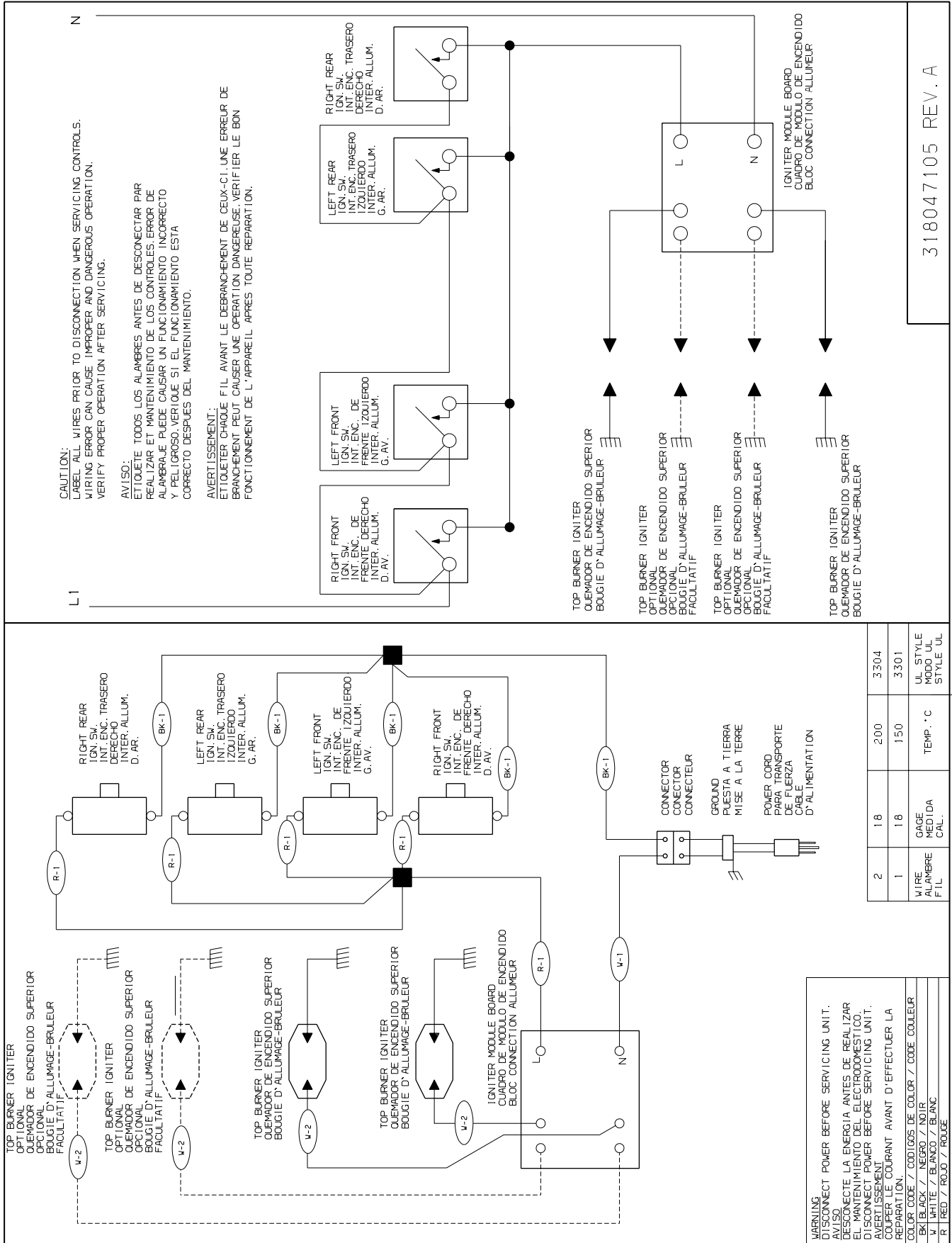
LA00BR77211-1B

BURNER

A = FGC30C3A (FGC30C3AWA)
B = FGC30C3A (FGC30C3AUA)

POS. NO	PART NO		DESCRIPTION
1	318177001	A B	Manifold Pipe
2 #	318087010	A B	Valve,top burner
3 #	316032002	A B	Switch,ignitor
8 #	316135700	A B	Module,spark
8*	318024201	A B	Bracket,spark module
10 #	3201432	A B	Burner,top ,LF
10A#	3201433	A B	Burner,top ,LR
10B#	3201434	A B	Burner,top ,RF
10C#	3201435	A B	Burner,top ,RR
11 #	318148602	A B	Ignitor,top burner
11A#	318148603	A B	Ignitor,top burner
14 #	5308007974	A B	Regulator,pressure
33	3201449	A B	Bracket,burner mtg
35	318146300	A B	Bushing
72	5303323141	A B	Screw,valve mtg , 1/4-20 x 5/16
*	08011129	A B	Nut,6-32
*	08011955	A B	Screw,10-24 x 0.375 ,square drive
*	08016432	A B	Screw,truss head ,8-18 x 0.375
*	5303311306	A B	Screw,8-18 x 0.375
*	5303311532	A B	Screw,6-32 x 1/4" ,back

WIRING DIAGRAM



318047105 REV. A