



# Single Wall Ovens

FGB24T3E C/S/B

24" Gas



## Product Dimensions

Height	42-3/8"
Width	23-17/32"
Depth	21"

## More Easy-To-Use Features

### Bright Oven Lighting

Our bright lighting makes it easy to see what's inside.

### Timer Function

### Manual-Clean Ovens

### Attractive Stainless Steel Exterior<sup>1</sup>

#### Available in:



<sup>1</sup>Select models only.

## Signature Features

### Ready-Select® Controls

Easily select options or control cooking temperature with our easy-to-use controls.

### Large Capacity

Large capacity oven and broiler give you room to cook more at once.

### Vari-Broil™ Option

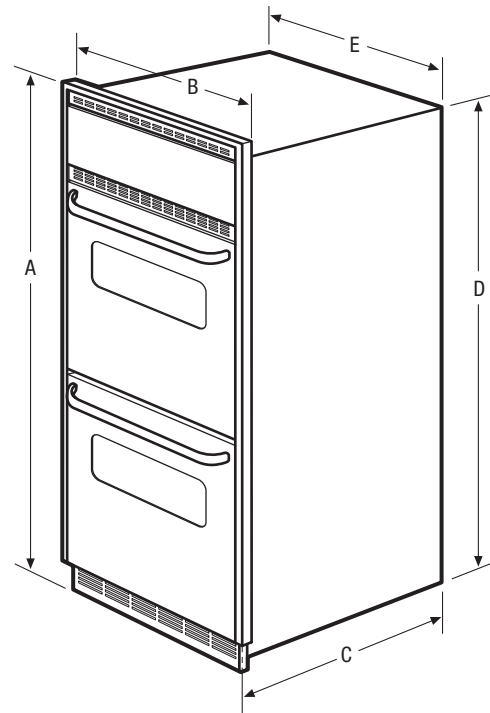
Allows you to choose between two heat levels.

### Large Windows

Our large oven windows let you easily see what's inside.

<b>Features</b>	
Oven Control/Timing System	Ready-Select®
Windows	Large
Exterior Door Finish	Real Stainless Steel (C), Color-Coordinated (S/B)
Handle Design	Black (C), Color-Coordinated (S/B)
Oven Cleaning System	Manual Clean
<b>Oven Controls</b>	
Bake/Broil	Yes/ Variable (Hi - Lo)
Convection Conversion	
Convection Bake/Broil/Roast	
Quick Bake Convection	
PowerPlus®/Quick Preheat	
My Favorite	
Chicken Nugget Button	
Pizza Button	
Keep Warm	
Add-a-Minute	
Delay Bake	
Self-Clean	
Rapid/Quick Clean Option	
Delay Clean	
Kitchen Timer	Yes
Timed Cook Option	
Control Lock	
Auto Oven Shut-Off	
Oven Lock-Out	
<b>Upper Oven Features</b>	
Capacity (Cu. Ft.)	2.7
Convection System	
Oven Light	1
Hidden Bake Element	
Rack Configuration	2 Racks
Baking System	Regular
Broiling System	
Bake Element (BTU)	18,000
<b>Lower Broiler Features</b>	
Capacity (Cu. Ft.)	2.7
Convection System	
Oven Light	1
Hidden Bake Element	
Rack Configuration	2 Racks
Baking System	
Broiling System	Vari-Broil™
Broil Element (BTU)	18,000
<b>Certifications</b>	
A.D.A. Compliant	
Sabbath Mode (Star-K® Certified)	
<b>Specifications</b>	
Oven Interior (H x W x D)	14" x 19" x 17-5/8"
Power Supply Connection Location	Right Bottom Rear
Gas Supply Connection Location	Right Bottom Rear
Voltage Rating	120V / 60Hz
Connected Load (kW Rating) @ 120 Volts¹	.001
Amps @ 120 Volts	5.0
Minimum Circuit Required (Amps)	15
Shipping Weight (Approx.)	165 Lbs.

<sup>1</sup>For use on adequately wired 120V, dedicated circuit having 2-wire service with a separate ground wire. Appliance must be grounded for safe operation.



NOTE: For planning purposes only. Always consult local and national electric and gas codes. Refer to Product Installation Guide for detailed installation instructions on the web at [frigidaire.com](http://frigidaire.com).



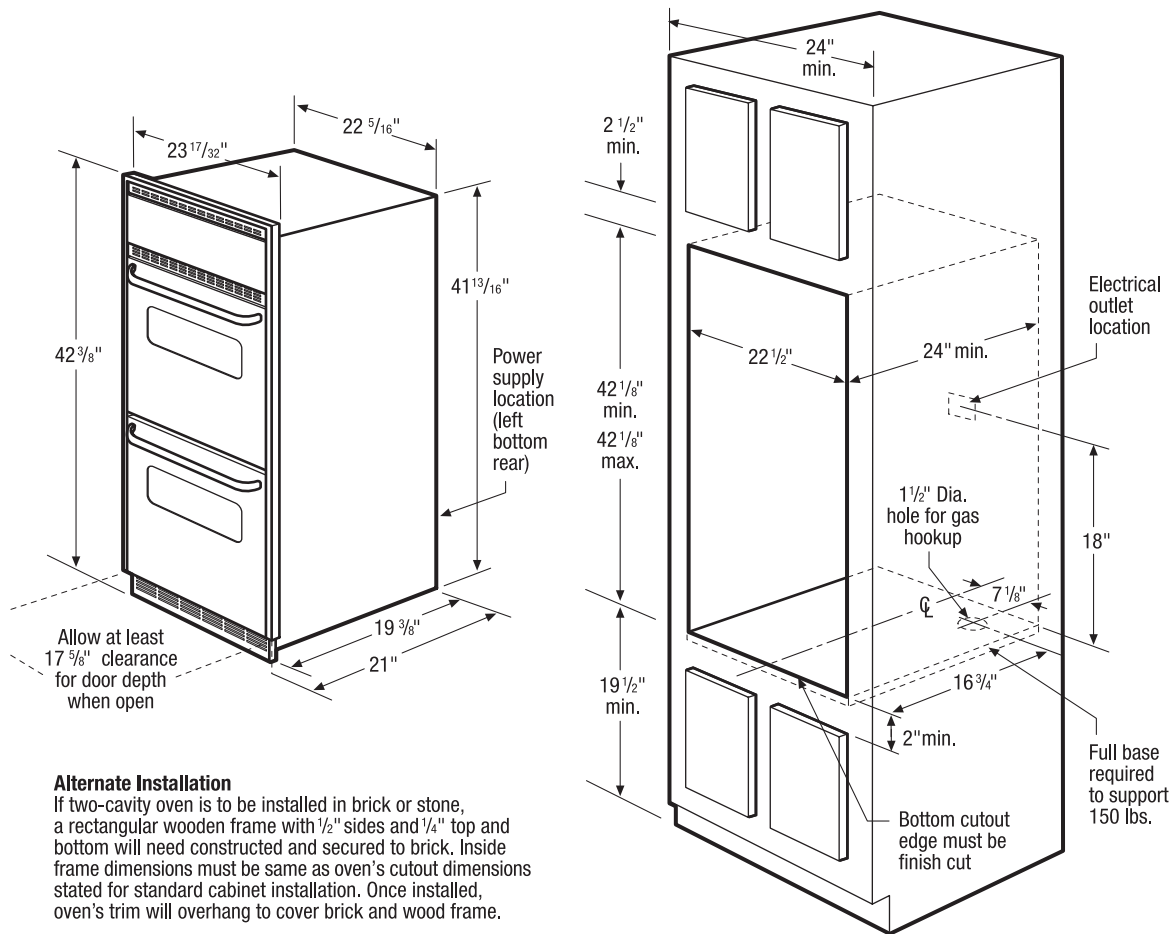
Product Dimensions	
A - Height	42-3/8"
B - Width	23-17/32"
C - Depth	21"
D - Height (Wrapper)	41-13/16"
E - Width (Wrapper)	22-5/16"
Depth with Doors Open 90°	40-3/8"

Cutout Dimensions	
Height (Min.)	42-1/8"
Width (Min.)	22-1/2"
Depth (Min.)	24"

Accessories information available on the web at [frigidaire.com](http://frigidaire.com)

FRIGIDAIRE

USA • 10200 David Taylor Drive • Charlotte, NC 28262 • 1-800-FRIGIDAIRE • [frigidaire.com](http://frigidaire.com)  
 CANADA • 5855 Terry Fox Way • Mississauga, ON L5V 3E4 • 1-800-265-8352 • [frigidaire.ca](http://frigidaire.ca)



#### Alternate Installation

If two-cavity oven is to be installed in brick or stone, a rectangular wooden frame with  $\frac{1}{2}$ " sides and  $\frac{1}{4}$ " top and bottom will need constructed and secured to brick. Inside frame dimensions must be same as oven's cutout dimensions stated for standard cabinet installation. Once installed, oven's trim will overhang to cover brick and wood frame.

#### Single Wall Oven Specifications

- Product Shipping Weight (approx.) - 165 Lbs.
- Voltage Rating - 120V/60 Hz/15 Amps
- Connected Load (kW Rating) @ 120 Volts = .60kW  
(For use on adequately wired 120V, dedicated circuit having 2-wire service with a separate ground wire. Appliance must be grounded for safe operation.)
- Amps @ 120V = 5 Amps
- Always consult local and national electric and gas codes.
- Oven ships with  $\frac{3}{4}$ " factory regulator.
- LP Gas convertible.
- Do not obstruct flow of combustion air at oven vent nor around base or beneath lower front panel of appliance. Oven requires fresh air for proper burner combustion.
- Minimum 17-5/8" clearance for oven door depth when open.
- Full oven base of solid plywood or similar material required, capable of supporting 150 Lbs.
- Base must be level and cabinet front must be square.
- Single Wall Oven is NOT approved to be used in side-by-side installation.
- Single Wall Oven is NOT approved to be used alone in under-counter installation or in combination with any Frigidaire® Warmer Drawer or Built-In Microwave Oven.

#### Alternate Installation

- If two-cavity oven is to be installed in brick or stone, a rectangular wooden frame with  $\frac{1}{2}$ " sides and  $\frac{1}{4}$ " top and bottom will need constructed and secured to brick. Inside frame dimensions must be same as oven's cutout dimensions stated for standard cabinet installation. Once installed, oven's trim will overhang to cover brick and wood frame.

**Note:** For planning purposes only. Refer to Product Installation Guide on the web at [frigidaire.com](http://frigidaire.com) for detailed instructions.

#### FRIGIDAIRE

USA • 10200 David Taylor Drive • Charlotte, NC 28262 • 1-800-FRIGIDAIRE • [frigidaire.com](http://frigidaire.com)  
CANADA • 5855 Terry Fox Way • Mississauga, ON L5V 3E4 • 1-800-265-8352 • [frigidaire.ca](http://frigidaire.ca)

FGB24T3E 02/12

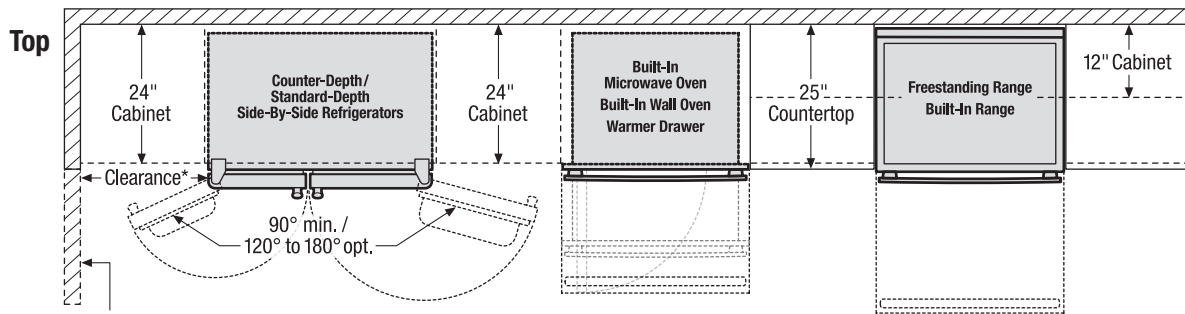
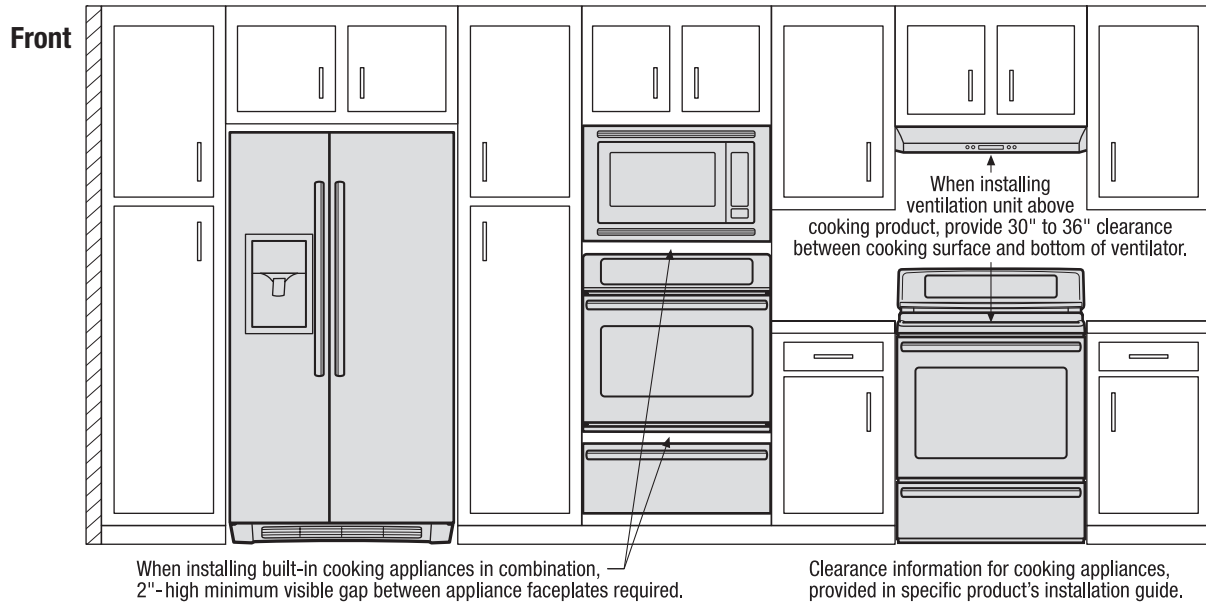
© 2012 Electrolux Home Products, Inc.

Accessories information available  
on the web at [frigidaire.com](http://frigidaire.com)



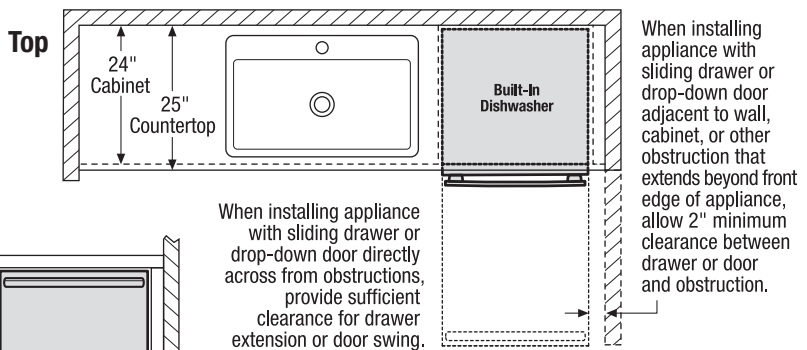
Specifications  
subject to change.

Use these dimensions and clearance instructions for planning purposes only. For detailed installation instructions, refer to installation guide, packed with product, or on the web at [frigidaire.com](http://frigidaire.com).

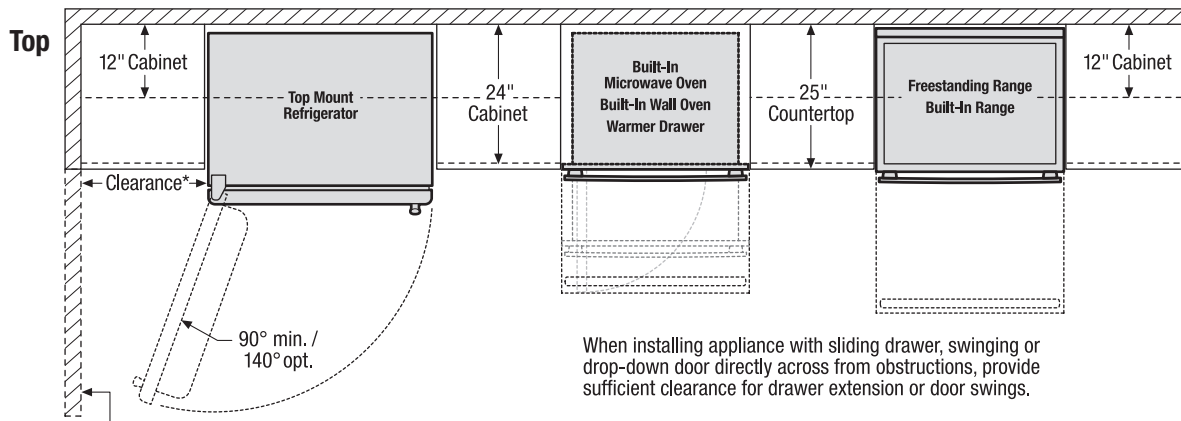
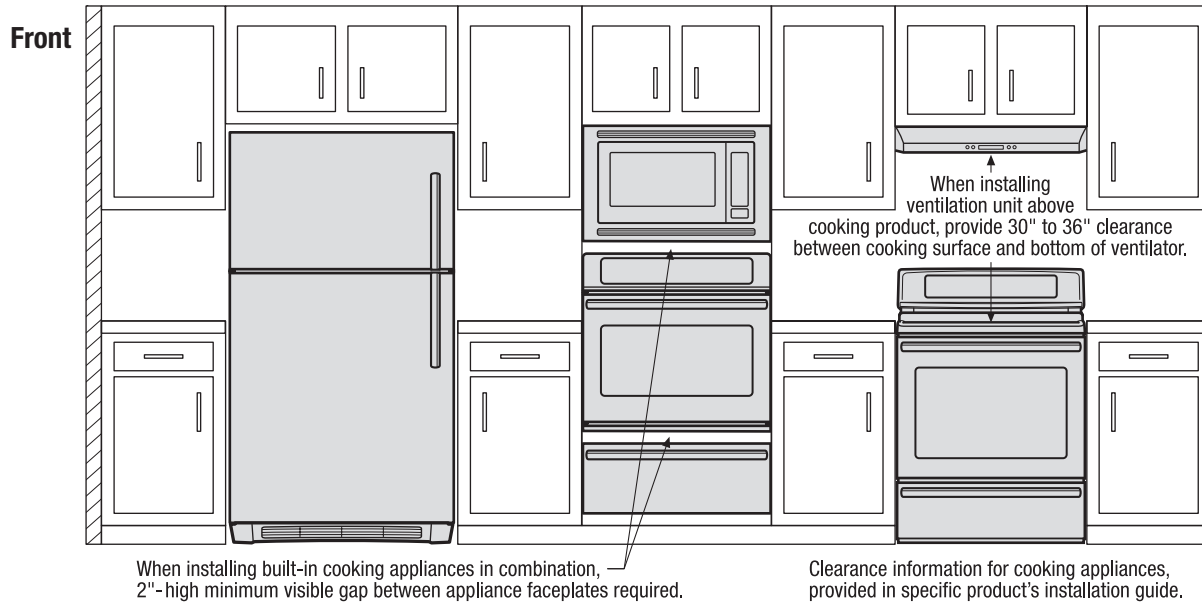


\*When installing side-by-side refrigerator adjacent to wall, cabinet or another appliance that extends beyond front edge of unit, 20" minimum clearance recommended to allow for optimum 120° to 180° door swing, providing complete drawer/crisper access and removal. (Absolute 4-1/2" minimum clearance will ONLY allow for 90° door swing which will provide limited drawer/crisper access with restricted removal.)

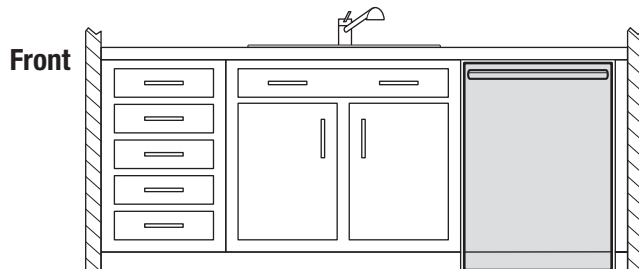
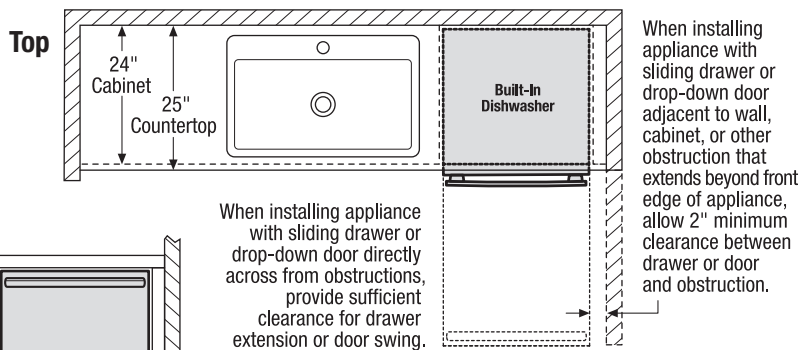
When installing appliance with sliding drawer, swinging or drop-down door directly across from obstructions, provide sufficient clearance for drawer extension or door swings.



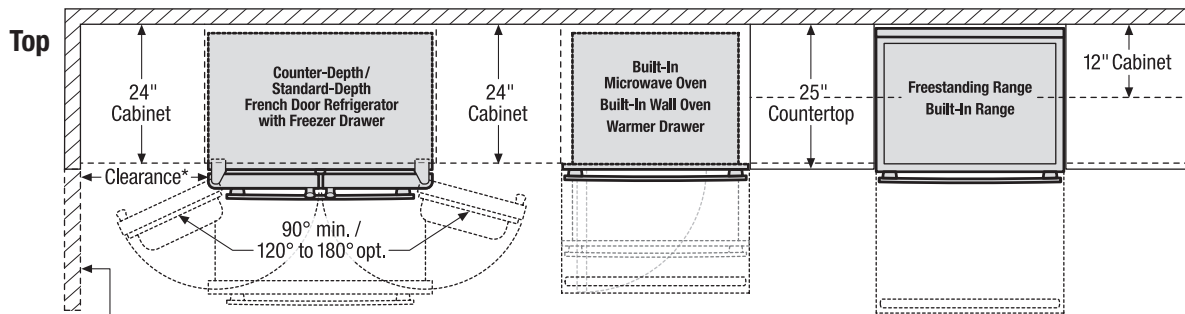
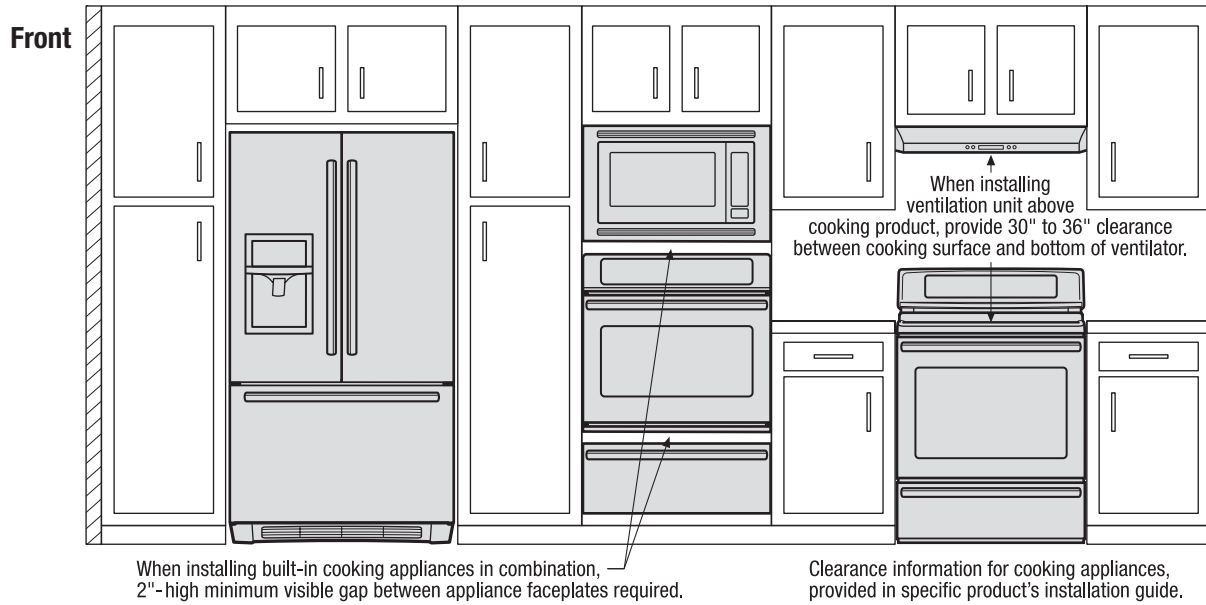
Use these dimensions and clearance instructions for planning purposes only. For detailed installation instructions, refer to installation guide, packed with product, or on the web at frigidaire.com.



\*When installing top mount refrigerator adjacent to wall, cabinet or other appliance that extends beyond front edge of unit, 20" minimum clearance recommended to allow for optimum 140° door swing, providing complete crisper access and removal. (Absolute 3" minimum clearance will ONLY allow for 90° door swing which will provide limited crisper access with restricted removal.)



Use these dimensions and clearance instructions for planning purposes only. For detailed installation instructions, refer to installation guide, packed with product, or on the web at frigidaire.com.



\*When installing French door refrigerator adjacent to wall, cabinet or another appliance that extends beyond front edge of unit, 20" minimum clearance recommended to allow for optimum 120° to 180° door swing, providing complete drawer/crisper access and removal. (Absolute 4-1/2" minimum clearance will ONLY allow for 90° door swing which will provide limited drawer/crisper access with restricted removal.)

When installing appliance with sliding drawer, swinging or drop-down door directly across from obstructions, provide sufficient clearance for drawer extension or door swings.

