



Microwave

FFMV164L S

30" Over-The-Range



Product Dimensions

Height	16-13/32"
Width	29-7/8"
Depth	15-1/32"

More Easy-To-Use Features

Two-Speed Ventilation

Over-the-range microwave doubles as a hood with two fan speeds.

Extra-Large 13-19/32" Diameter Glass Turntable

10 Cooking Power Levels

Auto-Reheat Options

Control Lock Option

Electronic Clock & Timer

Vent Filters

Dishwasher-safe.

Auto-Start Heat Sensor Vent Fan

Ductless Vent Installation Option Included

Attractive Stainless Steel Exterior

Available in:



Stainless
(S)

Signature Features

One-Touch Options

Our microwaves feature easy-to-use one-touch buttons so you can cook baked potatoes, popcorn, or even add 30 seconds with the touch of a button.

Fits-More™ Capacity

Extra-large microwave provides 1.6 Cu. Ft. of cooking space and will hold almost any dish—even a 13" x 9" baking dish.

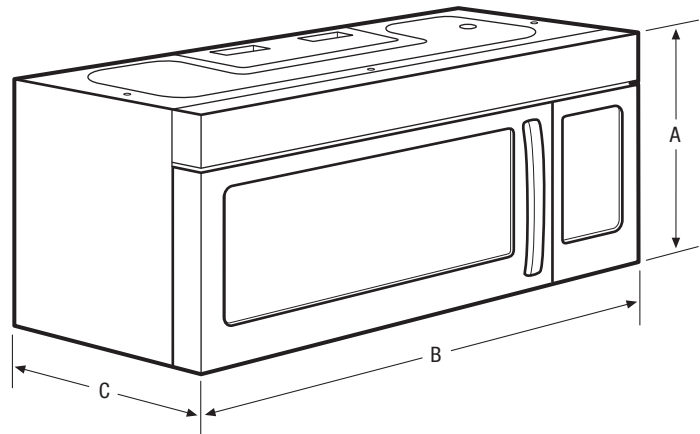
Multi-Stage Cooking

Our Multi-Stage Cooking option allows you to program power levels and cooking times in advance, so you can program it to defrost, cook and keep a meal warm all at once.

Ready-Select® Controls

Easily select options with the touch of a button.

Features	
Control/ Timing System	Ready-Select®
Exterior Door Finish	Stainless Steel
Handle Design	Stainless Steel
Microwave Capacity (Cu.Ft.)	1.6
Convection	
Watts (IEC-705 Test Procedure)	1,000
Interior Light	Yes
Interior Color	White
Turntable Diameter	13-19/32"
Turntable On/Off	
Control Lock	Yes
Clock	Yes
Touch Pad Buttons	23
Power Levels	High (1-9)
Accessory Metal Rack	
Microwave Control Options	
Popcorn Button	Yes
Chicken Nugget Button	
Baked Potato Button	Yes
Sensor Reheat Button	
Snack Button	
Beverage	Yes
Auto Melt & Soften Options	
Auto Reheat Options	Yes
Snack Menu Options	
Auto Cook Options	
Auto Defrost Options	Weight/Time
Multi-Stage Cooking Option	Yes
Keep Warm	
Add-30-Seconds	Yes
Sensor Cooking Options	
Vegetable Cook Sensor	
Delay Start	
User Preferences	
Ventilation System	
Ducted/Ductless Installation Option	Yes
Exhaust Fan (CFM)	2-Speed 170/300
Cooktop Light	Yes
Auto-Start Heat Sensor	Yes
Dishwasher-Safe Vent Filter (Ductless Installation)	Yes
Power Ratings	
Frequency (MHz)	2,450
Watts @ 120 Volts	1,550
Amps @ 120 Volts	13
Optional Accessories	
36" Stainless Steel Filler Panel Kit	PN# MWFILKTSS
Specifications	
Oven Interior (HxWxD)	9-1/4" x 20-1/4" x 14-13/32"
Power Supply Connection Location	Right Top Rear
Voltage Rating	120V / 60Hz / 15A
Connected Load (kW Rating) @ 120 Volts ¹	1.55
Minimum Circuit Required (Amps)	15
Shipping Weight (Approx.)	69 Lbs.



NOTE: For planning purposes only. Always consult local and national electric codes. Refer to Product Installation Guide for detailed installation instructions on the web at frigidaire.com.

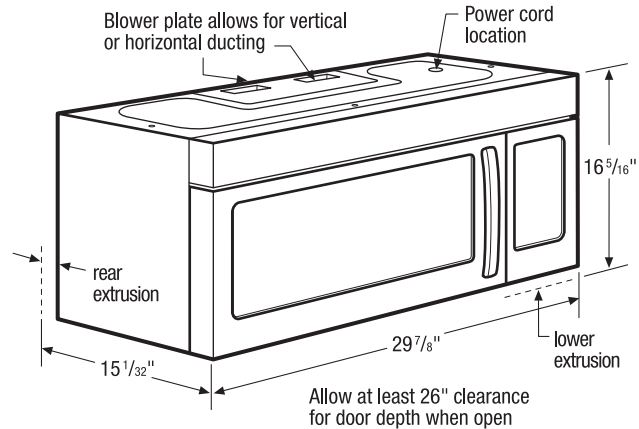
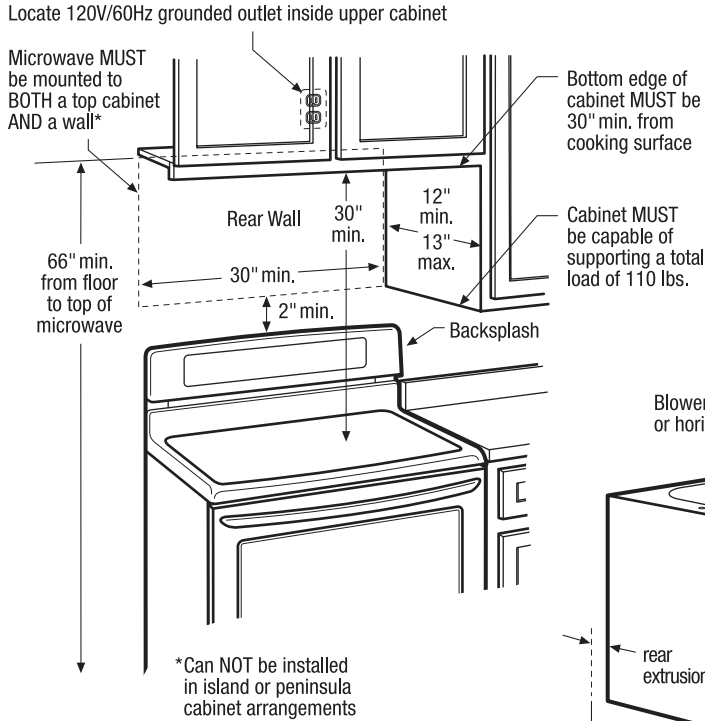


Product Dimensions	
A - Height	16-13/32"
B - Width	29-7/8"
C - Depth	15-1/32"

Cutout Dimensions	
Height (Min. from floor to top of unit)	66"
Width (Min.)	30"
Depth (Min.)	12"
Depth (Max.)	13"

¹For use on adequately wired 120V, dedicated circuit having 2-wire service with a separate ground wire. Appliance must be grounded for safe operation.

Accessories information available on the web at frigidaire.com



Microwave Specifications

- Product Shipping Weight (approx.) - 69 Lbs.
- Voltage Rating - 120V / 60 Hz / 15 Amps
- Connected Load (kW Rating) @ 120 Volts = 1.55kW (For use on adequately wired 120V, dedicated circuit having 2-wire service with a separate ground wire. Appliance must be grounded for safe operation.)
- Amps @ 120 Volts = 13 Amps
- Always consult local and national electric codes.
- Grounded outlet should be located in cabinet above, with hole in base to route power cord. Carefully follow top template instructions for power cord clearance when installing beneath smooth, flat cabinets.
- Microwave's exhaust ventilation system is preset to recirculate air inside with no ducting system required. Exhausting air outside is optional, using either vertical or horizontal ducting system. (Refer to Ducted Option Specifications for outside ventilation.)
- For safe and proper installation, microwave MUST be mounted to BOTH a top cabinet AND a wall, and connected to at least one wall stud. Can NOT be installed in island or peninsula cabinet arrangements.
- Cabinet bottom MUST be level to insure proper installation.
- Cabinet MUST be capable of supporting a total load of 110 lbs.
- Filler blocks recommended for installation when cabinet front hangs below recessed bottom shelf.
- Minimum distance of 30" required from cooking surface to bottom edge of top cabinet.
- Minimum distance of 66" required from floor to top of microwave.
- Opening between cabinets MUST be 30" wide and free of obstructions. For openings up to 36" wide, order optional 36" Filler Panel Kit to fill in gap between unit and cabinets.
- Allow 26" minimum clearance for 90° door swing.

Ducted Option Specifications

- For outside ventilation.
- Exhaust duct adapter will be needed for outside ventilation, to mate with standard 3-1/4" x 10" rectangular duct. If round duct required, rectangular-to-round transition adapter will be needed with no less than 6" diameter.
- For most efficient airflow exhaust, use a straight run or as few elbows as possible with a maximum duct length of 3-1/4" x 10" rectangular or 6" diameter round duct, not to exceed 140 equivalent feet.
- For horizontal installation, be sure to allow enough space between wall studs to accommodate exhaust.
- Refer to installation instructions on web for detailed duct preparation and converting exhaust vent blower system for exterior exhaust ventilation.

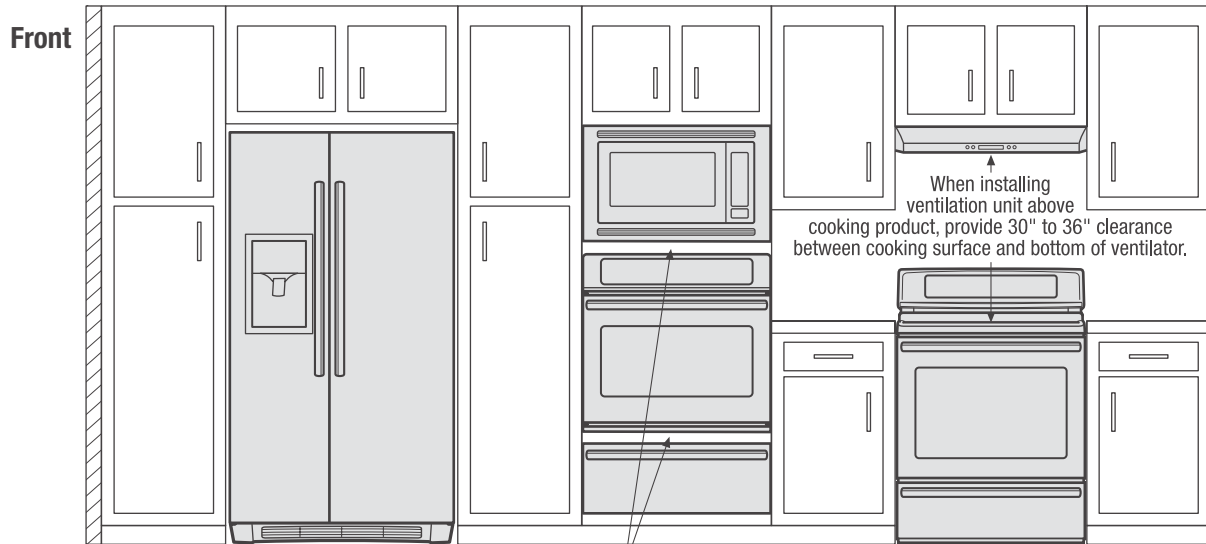
Note: For planning purposes only. Refer to Product Installation Guide on the web at frigidaire.com for detailed instructions.

Optional Accessories

- 36" Stainless Steel Filler Panel Kit - (PN# MWFILKTSS).



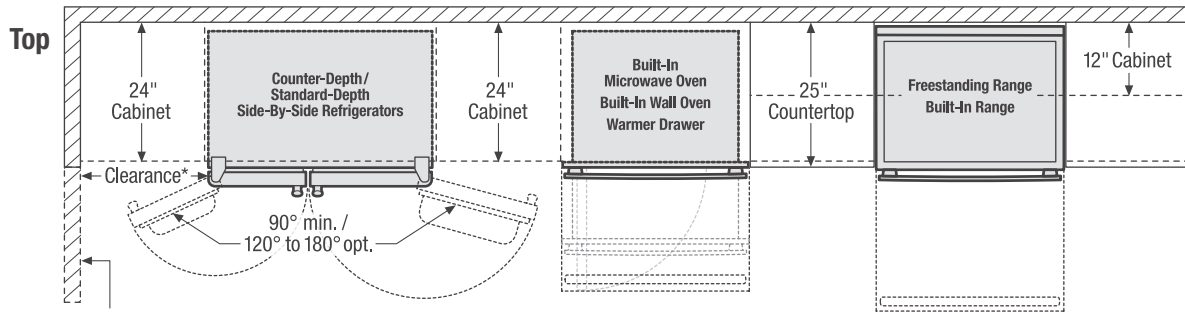
Use these dimensions and clearance instructions for planning purposes only. For detailed installation instructions, refer to installation guide, packed with product, or on the web at frigidaire.com.



When installing built-in cooking appliances in combination, 2"-high minimum visible gap between appliance faceplates required.

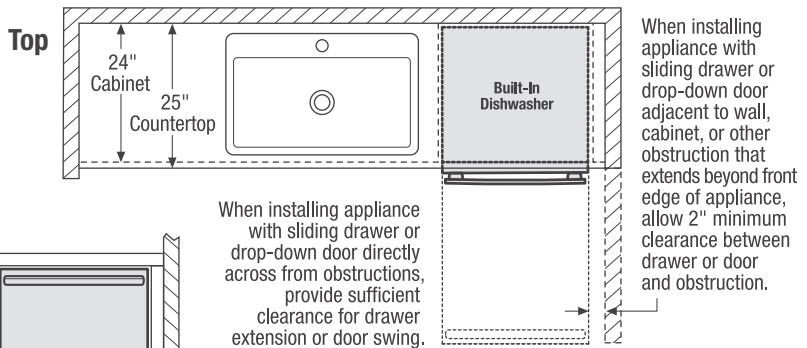
When installing ventilation unit above cooking product, provide 30" to 36" clearance between cooking surface and bottom of ventilator.

Clearance information for cooking appliances, provided in specific product's installation guide.



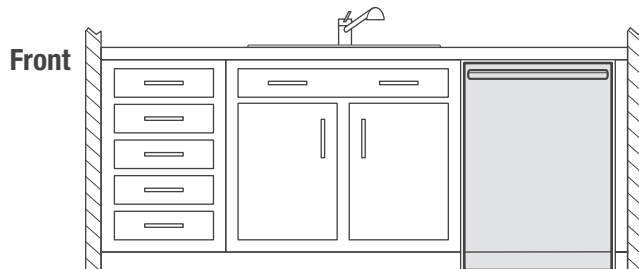
*When installing side-by-side refrigerator adjacent to wall, cabinet or another appliance that extends beyond front edge of unit, 20" minimum clearance recommended to allow for optimum 120° to 180° door swing, providing complete drawer/crisper access and removal. (Absolute 4-1/2" minimum clearance will ONLY allow for 90° door swing which will provide limited drawer/crisper access with restricted removal.)

When installing appliance with sliding drawer, swinging or drop-down door directly across from obstructions, provide sufficient clearance for drawer extension or door swings.



When installing appliance with sliding drawer or drop-down door directly across from obstructions, provide sufficient clearance for drawer extension or door swing.

When installing appliance with sliding drawer or drop-down door adjacent to wall, cabinet, or other obstruction that extends beyond front edge of appliance, allow 2" minimum clearance between drawer or door and obstruction.



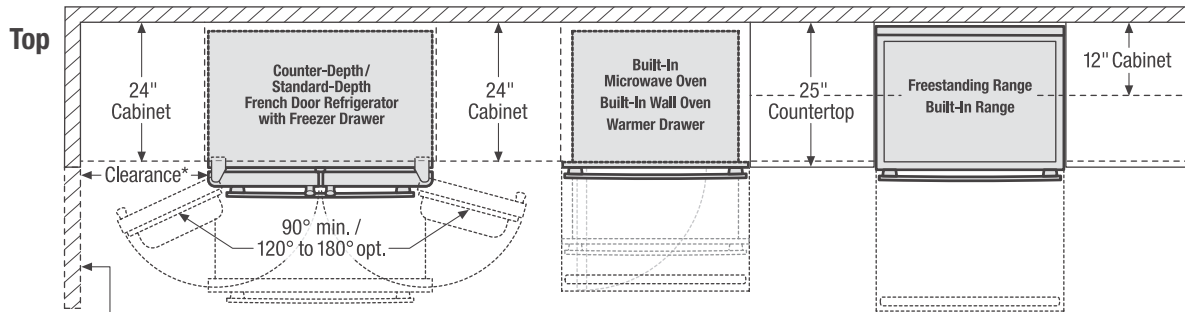
Use these dimensions and clearance instructions for planning purposes only. For detailed installation instructions, refer to installation guide, packed with product, or on the web at frigidaire.com.



*When installing top mount refrigerator adjacent to wall, cabinet or other appliance that extends beyond front edge of unit, 20" minimum clearance recommended to allow for optimum 140° door swing, providing complete crisper access and removal. (Absolute 3" minimum clearance will ONLY allow for 90° door swing which will provide limited crisper access with restricted removal.)

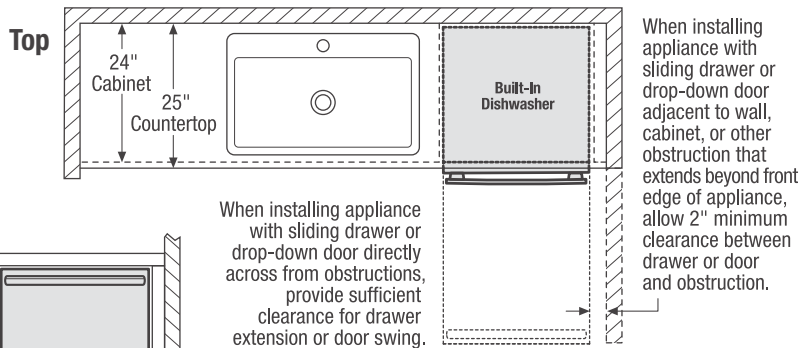


Use these dimensions and clearance instructions for planning purposes only. For detailed installation instructions, refer to installation guide, packed with product, or on the web at frigidaire.com.



*When installing French door refrigerator adjacent to wall, cabinet or another appliance that extends beyond front edge of unit, 20" minimum clearance recommended to allow for optimum 120° to 180° door swing, providing complete drawer/crisper access and removal. (Absolute 4-1/2" minimum clearance will ONLY allow for 90° door swing which will provide limited drawer/crisper access with restricted removal.)

When installing appliance with sliding drawer, swinging or drop-down door directly across from obstructions, provide sufficient clearance for drawer extension or door swings.



Use these dimensions and clearance instructions for planning purposes only. For detailed installation instructions, refer to installation guide, packed with product, or on the web at frigidaire.com.

