

ICE MAKER INSTALLATION INSTRUCTIONS

⚠ WARNING To avoid electric shock, which can cause death or severe personal injury, disconnect the refrigerator from electrical power before connecting a water supply line to the refrigerator.

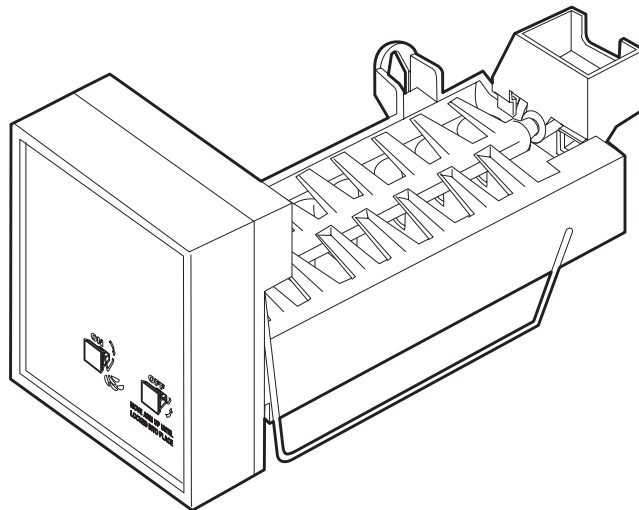
⚠ CAUTION To Avoid Property Damage:

- Copper tubing is recommended for the water supply line. Water supply tubing made of 1/4" plastic is not recommended since it greatly increases the potential for water leaks. The manufacturer will not be responsible for any damage if plastic tubing is used for the supply line.
- **DO NOT** install water supply tubing in areas where temperatures fall below freezing.
- Connect the ice maker to a drinkable water source that is not tied into a water softening system. Chemicals from the softener may damage the ice maker, causing it to malfunction.

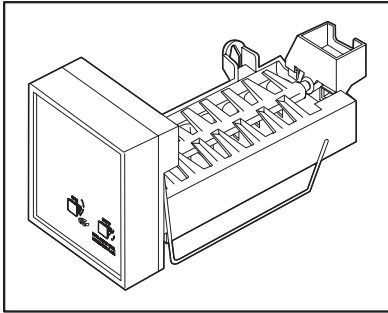
The following items will be required to install the ice maker kit.

- 1/4 inch copper supply line with shut off valve
- 1/4 inch brass compression nut and ferrule
- Freezer shelf (Some models not equipped with shelf). If your model does not have one, contact your dealer to order one.

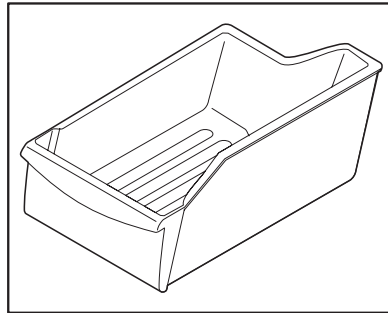
The copper tubing and shut off valve are available in a kit from your local hardware or plumbing supply store. Coil enough tubing at the back of the unit to allow movement for cleaning.



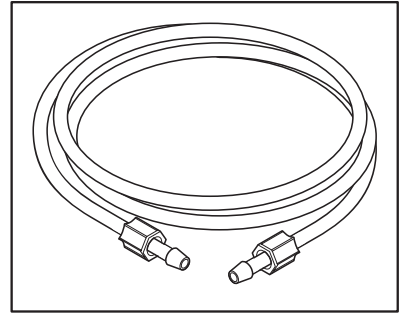
Use This Page to Identify Parts



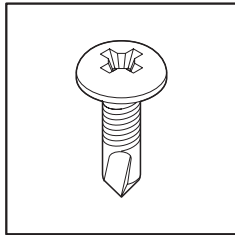
1. Ice Maker



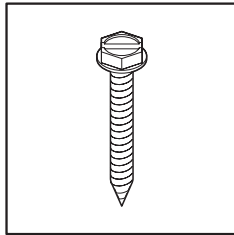
2. Ice Container



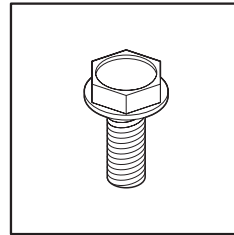
3. Plastic Water Supply Tubing



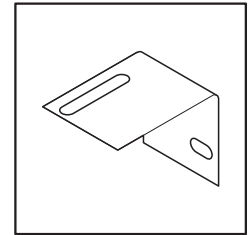
4. Screws - Qty 2



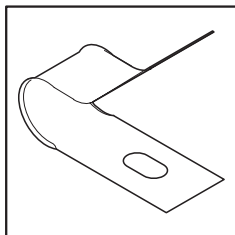
5. Screws - Qty 2



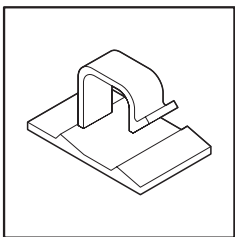
6. Leveling Bracket
Screw - Qty 1



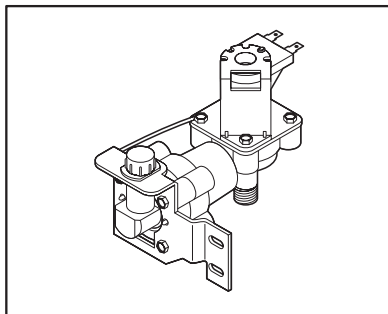
7. Leveling Bracket
Qty 1



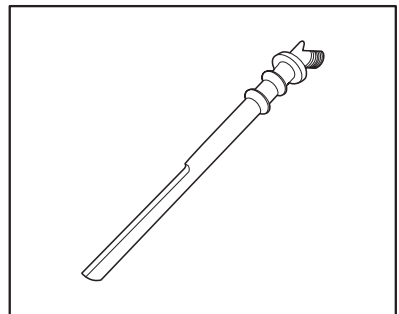
8. Steel Clamp - Qty 1



9. Plastic Clamp - Qty 2



10. Water Valve - Qty 1

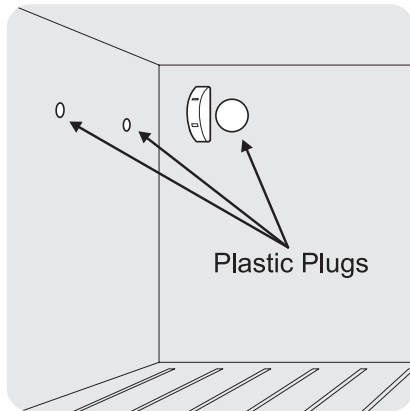


11. Water Inlet Tube - Qty 1

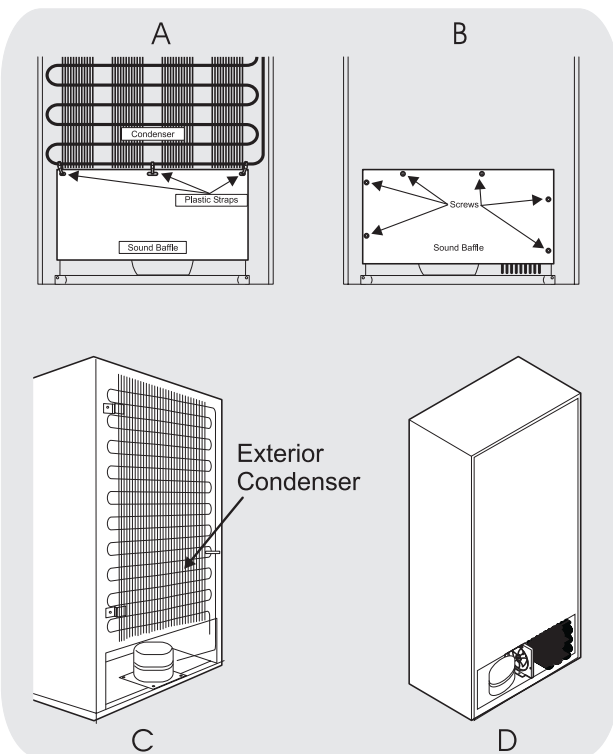
Tools Required:

- Putty Knife
- ¼ inch Socket Wrench or Nut Driver
- Knife
- Pliers
- Needle Nose Pliers
- Adjustable Wrench

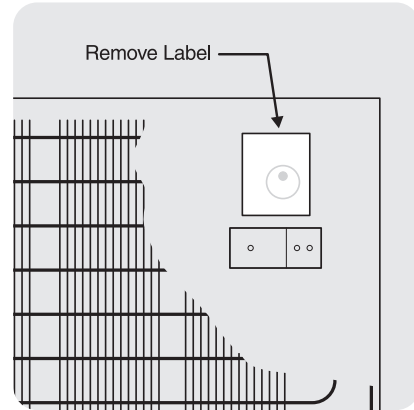
1. Unplug refrigerator from wall outlet.
2. Remove ice tray rack from freezer (some models).
3. Remove freezer shelf (some models) by pushing shelf to left until right side of shelf is out of hole. Slowly lift up and pull on shelf to remove.
4. Remove plugs from inside freezer compartment with putty knife.



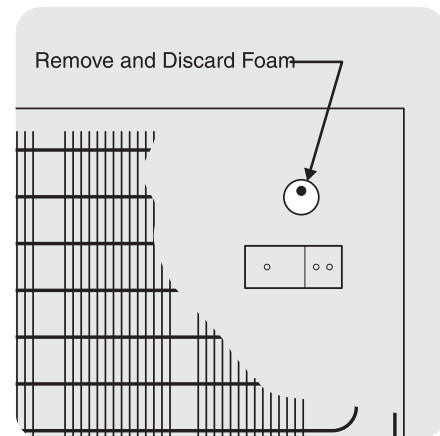
5. If refrigerator has exterior condenser (C), go to rear of refrigerator and locate left condenser mounting bracket screw(s). Remove and save screws. **DO NOT** remove compressor sound baffle (A), if installed. Carefully bend condenser out away from back of refrigerator. If condenser is mounted inside compressor compartment (D), remove screws securing sound baffle to cabinet (B).



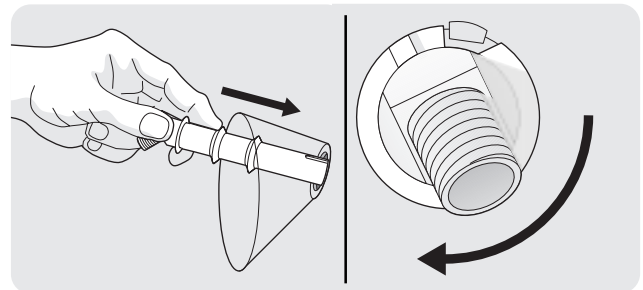
6. Peel off label covering ice maker hole.



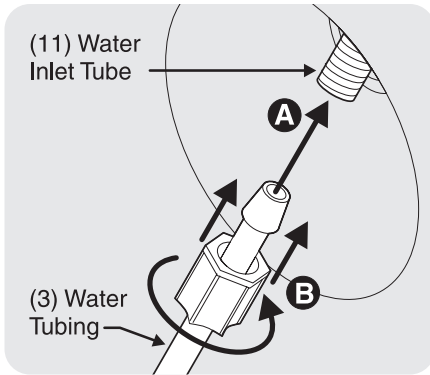
7. With needle nose pliers, remove foam from hole.



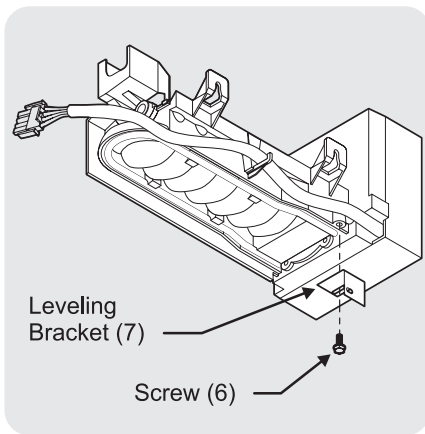
8. Push water inlet tube into small hole on back of refrigerator. Rotate while inserting tube until flat surface of inlet tube is tight against back of refrigerator.



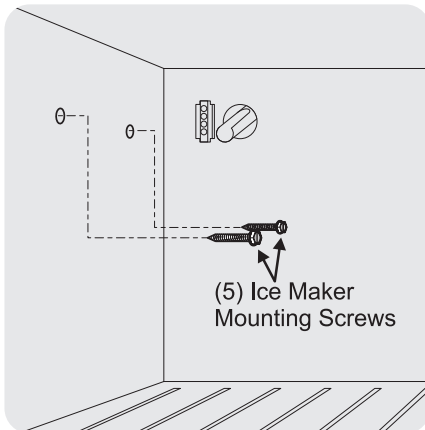
9. Push plastic water supply tubing (3) into water inlet tube (11) as far as it will go and finger tighten nylon compression nut onto threaded end of inlet tube. Tighten another one half turn with a wrench. **DO NOT** over tighten.



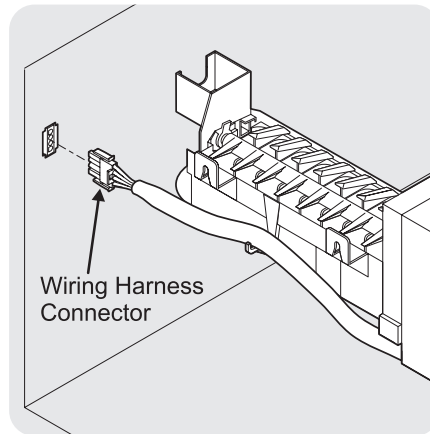
10. Install adjustable leveling bracket (7) on bottom of ice maker with screw (6). **DO NOT** tighten bracket. (Bracket will be tightened later.)



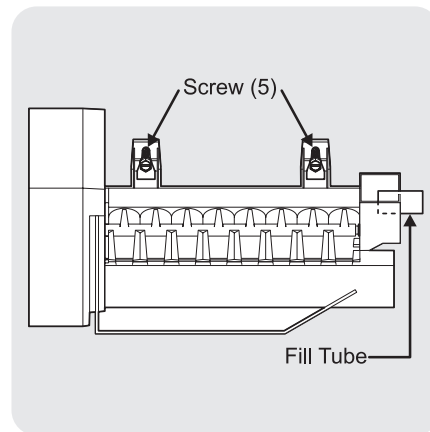
11. Start two, long, ice maker mounting screws (5) into freezer wall. Turn each screw five turns clockwise.



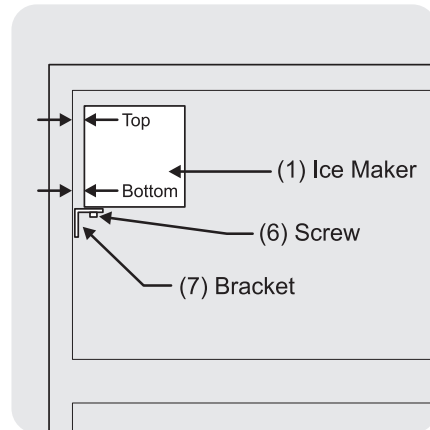
12. With ice maker in one hand, plug ice maker connector into connector mounted on back freezer panel. Make sure connection is tight.



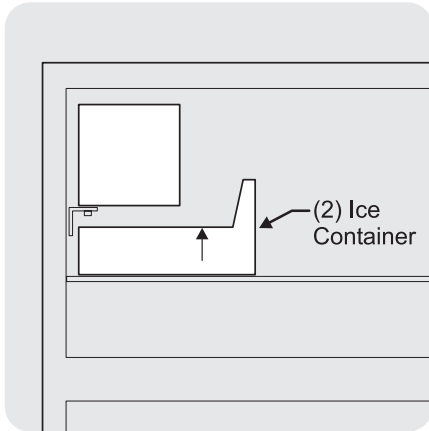
13. Mount ice maker onto two screws (5) you installed in Step 12. Tighten screws. Make sure water inlet tube (11) is sitting inside fill cup.



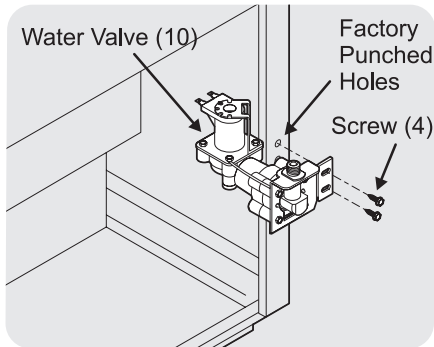
14. Adjust leveling bracket (7) to level ice maker (1). Ice maker is level when gap between freezer wall and ice maker is same at top and bottom. Tighten screw (6) when level.



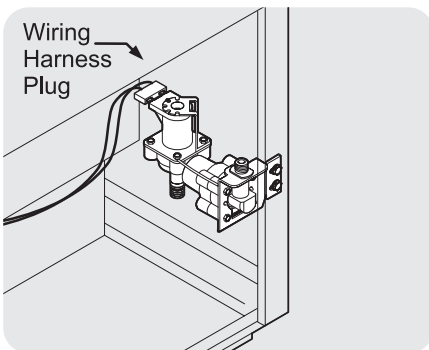
15. Reinstall freezer shelf in lower position. Set ice container (2) on shelf.



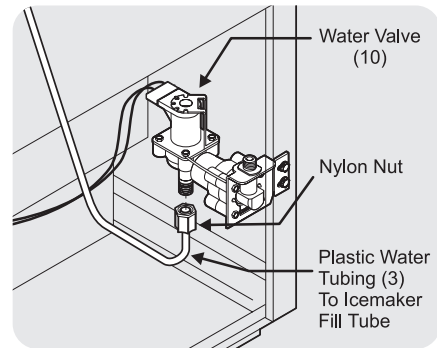
16. Locate factory punched holes at bottom right corner of rear panel. Holes are only drilled through cabinet liner. Align water valve bracket with factory drilled holes. Use a power drill with a Phillips® head bit to drive the two self drilling screws (4) through bracket and into cabinet.



17. Connect wiring harness to water valve. Make sure connection is tight.

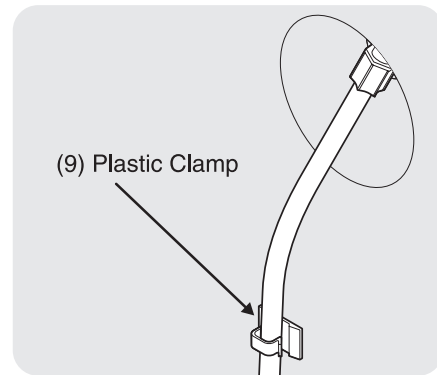


18. Push plastic water supply tubing into bottom of water valve as far as it will go. Finger tighten nylon compression nut onto threaded end of water valve. Tighten another one half turn with wrench. **DO NOT** overtighten.

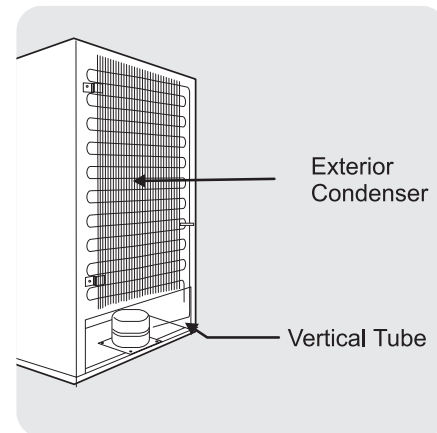


19. Secure plastic water tubing to rear of cabinet with two plastic clamps (9).

NOTE: Clean back of cabinet with a commercial household cleaner, ammonia or alcohol before applying clamps.



20. On models with exterior condenser, reinstall condenser brackets and tighten down screws.



21. On refrigerators with dynamic condensers, remount sound baffle, if installed. See step 5.

Connecting Ice Maker to Water Supply

⚠ WARNING To avoid electric shock, which can cause death or severe personal injury, disconnect the refrigerator from electrical power before connecting a water supply line to the refrigerator.

⚠ CAUTION To Avoid Property Damage:

- Copper tubing is recommended for the water supply line. Water supply tubing made of 1/4 inch plastic is not recommended since it greatly increases the potential for water leaks. Manufacturer will not be responsible for any damage if plastic tubing is used for supply line.
- **DO NOT** install water supply tubing in areas where temperatures fall below freezing.
- Connect the ice maker to a potable water source that is not tied into a water softening system. Chemicals from the softener may damage the ice maker, causing it to malfunction.

IMPORTANT: Ensure that your water supply line connections comply with all local plumbing codes.

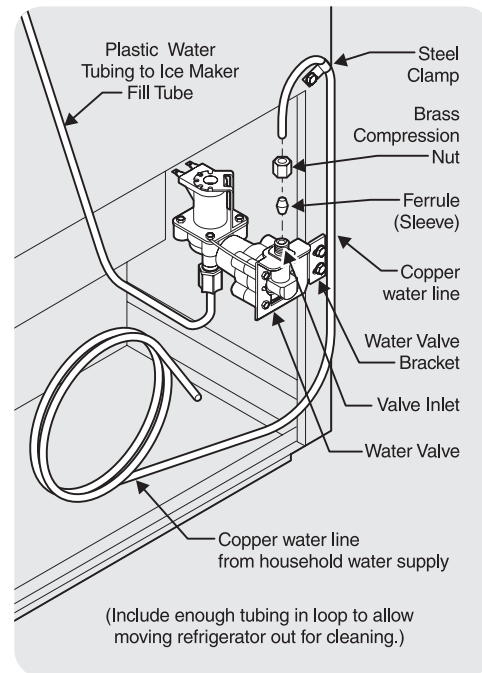
Before Installing The Water Supply Line, You Will Need

- **Basic tools:** adjustable wrench, flat blade screwdriver, and Phillips™ screwdriver.
- Access to a household **cold water line** with water pressure between 20 and 120 psi.
- A water supply line made of 1/4 inch (6.4 mm) OD, copper tubing. To determine the length of copper tubing needed, you will need to measure the distance from the ice maker inlet valve at the back of the refrigerator to your cold water pipe. Then add approximately 7 feet (2.1 meters), so the refrigerator can be moved out for cleaning.
- A shutoff valve to connect the water supply line to your household water system. **DO NOT** use a self-piercing type shutoff valve.
- A compression nut and ferrule (sleeve) for connecting the water supply line to the ice maker inlet valve.

NOTE: Water line kit number 5303917950, available from your appliance dealer at additional cost, contains 25 feet (7.6 meters) of 1/4 inch OD copper tubing, a saddle type shutoff valve (nonpiercing), (2) 1/4 inch brass compression nuts, (2) ferrules/sleeves, and instructions for installing a water supply line.

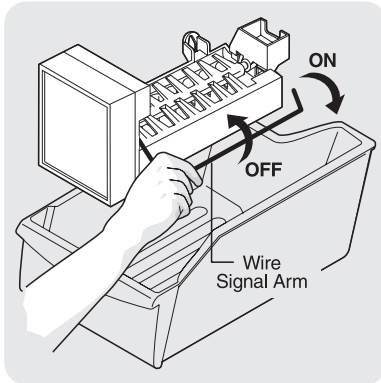
To Connect Water Supply Line To Ice Maker Inlet Valve

1. Disconnect refrigerator from electric power supply.
2. Place end of water supply line into sink or bucket. Turn ON water supply and flush supply line until water is clear. Turn OFF water supply at shutoff valve.
3. Unscrew plastic cap from water valve inlet and discard cap.
4. Slide brass compression nut, then ferrule (sleeve), onto water supply line, as shown.
5. Push water supply line into water valve inlet as far as it will go (1/4 inch). Slide ferrule (sleeve) into valve inlet and finger tighten compression nut onto valve. Tighten another half turn with a wrench; **DO NOT** over tighten.
6. With steel clamp and screw, secure water supply line to rear panel of refrigerator at location as shown.
7. Coil excess water supply line (about 2-1/2 turns) behind refrigerator as shown and arrange coils so they do not vibrate or wear against any other surface.
8. Turn ON water supply at shutoff valve and tighten any connections that leak.
9. Reconnect refrigerator to electric power supply.
10. To turn ice maker on, lower wire signal arm. (See ice maker front cover for on/off position of arm.)



IMPORTANT: It takes approximately 24 hours for the ice maker to begin producing ice. Air in new plumbing lines may cause ice maker to cycle two or three times before making a full tray of ice. New plumbing may cause ice to be discolored or have poor flavor. Discard ice made during the first 24 hours.

Automatic Ice Maker Tips



Remember that water quality determines your ice quality. Do not connect the ice maker to water that is softened. Chemicals from a malfunctioning softener can damage the ice maker.

To stop the ice maker, lift the wire signal arm until it clicks and locks in the “up” or OFF position. The ice maker turns off automatically when the ice container is full. If your model has an adjustable freezer shelf, place the shelf so the wire signal arm will hit the ice when the ice container is full.

Ice Maker Tips

- Ice stored too long may develop an odd flavor. Empty the container and be sure the wire signal arm is in its “down” or ON position. The ice maker will then produce more ice.
- Occasionally shake the container to keep ice separated.
- Keep the wire signal arm in its “up” or OFF position until the refrigerator is connected to the water supply or whenever the water supply is turned off.
- The following sounds are normal when the ice maker is operating.
 - Motor running
 - Ice loosening from tray
 - Ice dropping into ice container
 - Running water
 - Water valve opening or closing

CAUTION DO NOT place the ice container in your dishwasher.

- Wash ice container in warm water with mild detergent. Rinse well and dry.
- Stop the ice maker when cleaning the freezer or for short vacations.
- If the ice maker will be turned off for a long period of time, turn the water supply valve to the closed position.