



Side-by-Side Refrigerator

FPSC2277RF

23 Cu. Ft. Counter-Depth



Signature Features



PureAir Ultra® Filtration System
Fresh air offers great taste. PureAir Ultra® Filtration removes up to 7 times more odour than baking soda to keep ingredients tasting fresh by removing odour particles with fast-acting, highly absorbent carbon technology.¹



Smudge-Proof™
Resists fingerprints and cleans easily.



Counter-Depth Design
Built-in look, maximize your space. Save over 4 inches of kitchen floor space with our counter-depth design.²



PureSource Ultra® II Water Filtration
Drink and Cook with Pure Water. PureSource Ultra® II Water Filters remove 99.3% of lead and 99.99% of cysts from your household water.³

Product Dimensions

Height (Including Hinges & Rollers)	69-7/8"
Width (Doors)	36"
Depth (Including Door)	28-1/2"

More Easy-To-Use Features

SpacePro™ Ice Maker
Offers more freezer space, and more ice storage.⁴

PowerGlide™ Sliding Shelves
Offers 3 sliding shelves for accessibility to fresh foods — and they're spill-safe.

SpacePro™ Crisper Bins
Keep produce fresh with our stacked crisper bins.

SpacePro™ Freezer System
Optimize your freezer space with our SpacePro™ Freezer System featuring one door bin, three shelves, two baskets, and two tilt-out door bins, keeping frozen foods organized and accessible.

Automatic Alerts
Alerts you if the door is left open, if the temperature rises or if the power goes out so your food stays at its optimal temperature.

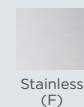
PowerBright™ LED Lighting
Find fresh foods quickly with PowerBright™ bright LED Lighting.

Trim Kit
Built-in look, without the remodel. Optional trim kit available.

SpacePro™ Gallon Door Bin
Offers one gallon-size door bin.

Sabbath Mode (Star-K® Certified)

Available in:



Stainless (F)

¹Based on a six-hour closed door test of certain common odours in the fresh food compartment of a 21 cu. ft. refrigerator.

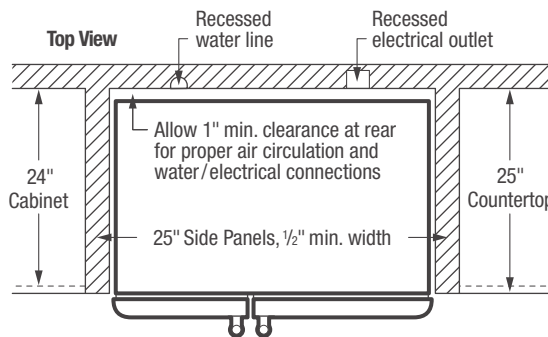
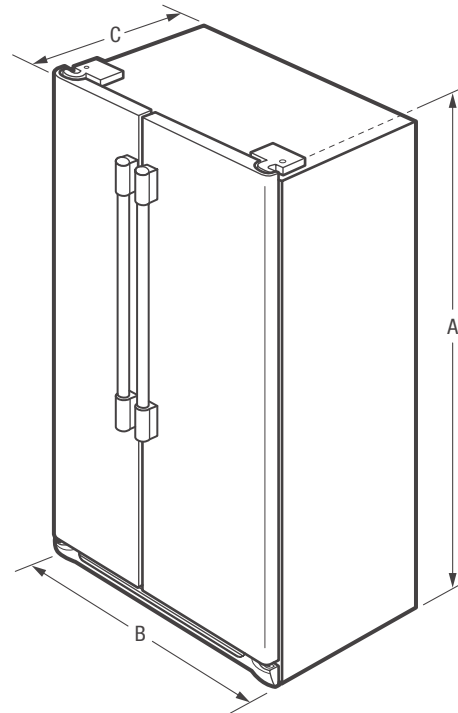
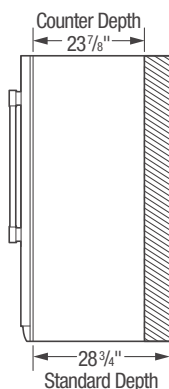
²Compared to a Frigidaire® standard-depth side-by-side refrigerator.

³Tested and certified by NSF® International. See performance data sheet for individual contaminants and reduction performance.

⁴Compared to a 2015 Frigidaire® side-by-side refrigerator.

Features	
Door Design	Flat
Door Handle Design	Stainless Steel
Cabinet Finish	Grey
Door Stops/Door Closers	Yes/Yes
Door Hinge Covers	Hidden
Rollers - Front/Rear	Adjustable/Yes
Energy Saver Plus Technology	Yes
Water Filter Location	Top Right Rear
Sound Package	Quiet Pack
Dispenser	
Controls	Pro-Select*
Dispenser Design	Flush, Single Paddle
Number of Control Buttons	11
Crushed Ice/Cube Ice/Water	Yes/Yes/Yes
Ice Option	PowerPlus* Ice
Freeze Option	PowerPlus* Freeze
Display On/Off Option	Yes
Control Lock/Light	No/Yes
Temp/Door Ajar/Power Failure Alerts	Yes/Yes/Yes
Water Filter Change Indicator Light	Yes
Air Filter Change Indicator Light	Yes
Refrigerator Features	
Interior Lighting	PowerBright™ LED
Water Filter Type	PureSource Ultra* II
Air Filter Type	PureAir Ultra*
Fixed Shelves	
Sliding Shelves	3 PowerGlide™
Cool Zone™ Drawer	1 Stacked
Wine/Can Rack	No/1 Clear
SpacePro™ Upper Crisper/ SpacePro™ Lower Crisper	1 Clear/ 1 Clear
Humidity Controls	2
Dairy Compartment	1 Clear
SpacePro™ Fixed Door Bins	1 One-Gallon Clear
Adjustable Door Bins	
Non-Slip Bin Liner/Bottle Retainers	2 Silver/1 Clear
Condiment Bin	
Freezer Features	
Door Bins/Tilt-Out Wire Door Bins	1 Clear/2
Fixed Shelves	2 Glass
Full Extension Baskets	
Full Freezer Baskets	2 Wire
Half Freezer Baskets	1 Wire
Ice Cream Shelf/Pizza Shelf	
SpaceSaver™ Shelf	Yes
Lighting	PowerBright™ LED
SpacePro™ Automatic Ice Maker	Yes
Certifications	
ENERGY STAR®	
Sabbath Mode (Star-K® Certified)	Yes
Specifications	
Total Capacity (Cu. Ft.)	22.6
Refrigerator Capacity (Cu. Ft.)	14.1
Freezer Capacity (Cu. Ft.)	8.5
Power Supply Connection Location	Right Bottom Rear
Water Inlet Connection Location	Left Bottom Rear
Voltage Rating	120V/60Hz/15A
Connected Load (kW Rating) @ 120 Volts¹	1.02
Amps @ 120 Volts	8.5
Minimum Circuit Required (Amps)	15
Shipping Weight (Approx.)	325 Lbs.

Standard Refrigerator Depth vs. Counter Depth



NOTE: For planning purposes only. Always consult local and national electric and plumbing codes. Refer to Product Installation Guide for detailed installation instructions on the web at frigidaire.ca.



Product Dimensions		"Built-In Look" Cutout Dimensions	
A - Height (Incl. Hinges & Rollers)	69-7/8"	Height (Incl. Hinges & Rollers)	70-1/4"
B - Cabinet Width/Door Width	35-7/8" / 36"	Width	36"
C - Depth (Incl. Door)	28-1/2"	Depth	25"
Depth with Door Open 90°	45"		

¹For use on adequately wired 120V, dedicated circuit having 2-wire service with a separate ground wire. Appliance must be grounded for safe operation.

Accessories information available on the web at frigidaire.ca