

Frigidaire

Factory Parts Catalog

Product No.	FRS3HR5JB0	FRS3HR5JQ0	FRS3HR5JW0	FRS3HR5JMB0	FRS3HR5JSB0
Series	R134a	R134a	R134a	R134a	R134a
Color	black	bisque	white	silvermist	stainless
Volts	115	115	115	115	115
Wiring Diagram	241708401	241708401	241708401	241708401	241708401
Owner's Guide	241856000	241856000	241856000	241856000	241856000
Market	North America	North America	North America	North America	North America
Energy Guide	241868058	241868058	241868058	241868067	241868068
Service Data Sheet	240389629	240389629	240389629	240389629	240389629



Electrolux Major Appliances
 North & Latin America
 P.O. BOX 212378
 AUGUSTA, GA 30917

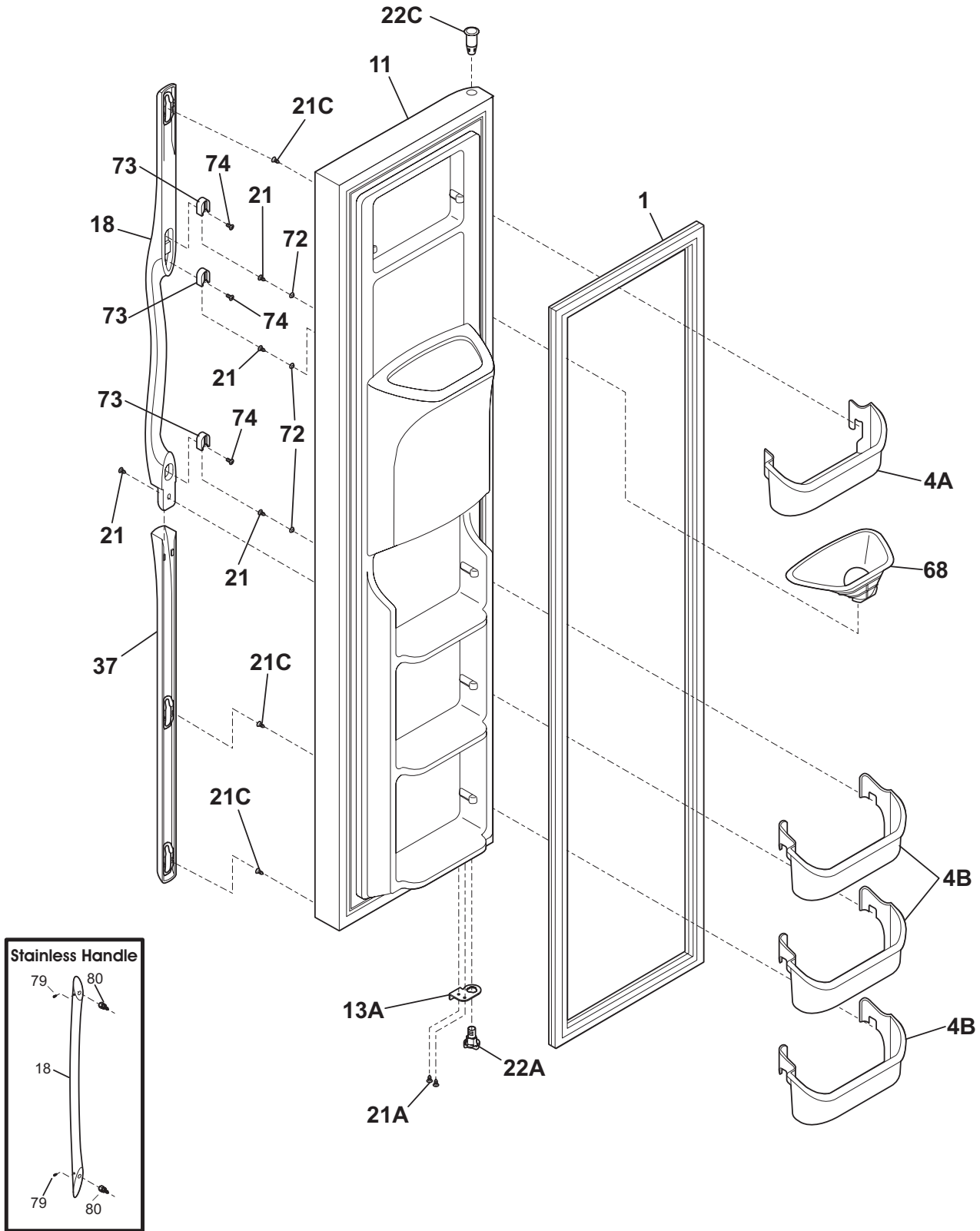
Publication No.
5995507240
 08/02/19
 (EN/SERVICE/DCS)
 137

**SIDE-BY-SIDE
 REFRIGERATOR**

Model No.
FRS3HR5J

Copyright © 2008 Electrolux Home Products, Inc.
 All rights reserved.

FREEZER DOOR



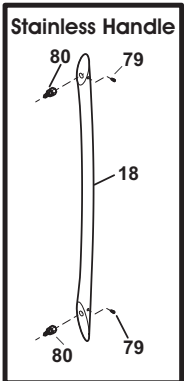
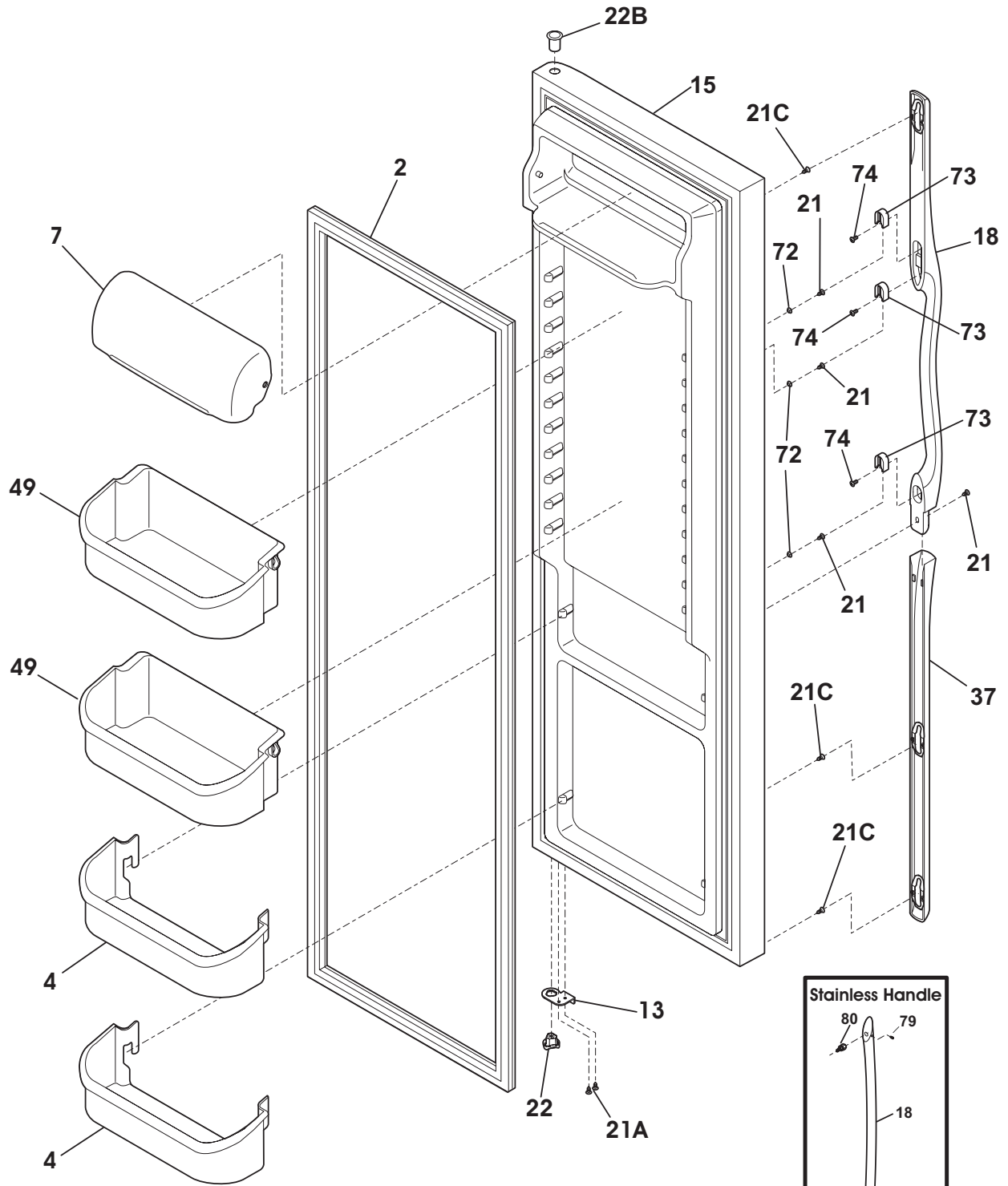
N58FCCBBC5

FREEZER DOOR

Model Index: A FRS3HR5J (FRS3HR5JB0)
 B FRS3HR5J (FRS3HR5JQ0)
 C FRS3HR5J (FRS3HR5JW0)
 D FRS3HR5J (FRS3HR5JMB0)
 E FRS3HR5J (FRS3HR5JSB0)

POS. NO	PART NO.		DESCRIPTION
1	241786008	A - - D E	Gasket-frzr door, black, magnetic
1	241786004	- B C - -	Gasket-frzr door, white, magnetic
4A	240367301	A B C D E	Bin-door, frzr-upper
4B	240359001	A B C D E	Bin-door
11	241668153	A - - - -	Door-frzr, black, complete assy
11	241668129	- B - - -	Door-frzr, bisque, complete assy
11	241668104	- - C - -	Door-frzr, white, complete assy
11	241668506	- - - D -	Door-frzr, silver mist, complete assy
11	241837138	- - - - E	Door-frzr, stainless, complete assy
13A	240581906	A - - D E	Door Stop, black, frzr
13A	240581904	- B - - -	Door Stop, bisque, frzr
13A	240581902	- - C - -	Door Stop, white, frzr
18	241934305	A - - D -	Handle-door, black
18	241934306	- B - - -	Handle-door, bisque
18	241934304	- - C - -	Handle-door, white
18	240536818	- - - - E	Handle-door, stainless steel, with insert, & set screw
21	218781101	A B C D E	Screw, pan head, 8-18 x 0.625
21A	240598402	A B C D E	Screw, 10-32 x 1/2
21C	240521304	A B C D -	Screw, #8-18 x 3/4
22A	240328204	A - - D E	Bearing-hinge(frz), black, closer
22A	240328202	- B C - -	Bearing-hinge(frz), closer
22C	240328404	A - - D E	Bearing-hinge, black, upper
22C	240328402	- B C - -	Bearing-hinge, natural, upper
37	241927002	A - - D -	Trim-door handle, black, bottom
37	241927003	- B - - -	Trim-door handle, bisque, bottom
37	241927001	- - C - -	Trim-door handle, white, bottom
68	241525101	A B C D E	Chute-ice
72	240421701	A B C D -	Button-handle mtg, dovetail
73	218396700	A B C D -	Block-handle mtg, dovetail
74	215503204	A B C D -	Screw, cr pan hd, 10-16
79	218755402	- - - - E	Screw-set, 10-32 x 0.375
80	218755504	- - - - E	Screw-shoulder, #10 AB, handle mounting
*	240552101	A B C D E	Harness-wiring, door
*	240451503	A B C D E	Screw, ind hex wshr hd, 8-32 x 0.375, trilobe
*	241806601	A B C D E	Connector-water, straight
*	5303918256	A B C D E	Dispenser heater kit

REFRIGERATOR DOOR



N58RCCBBB17

REFRIGERATOR DOOR

Model Index: A FRS3HR5J (FRS3HR5JB0)
 B FRS3HR5J (FRS3HR5JQ0)
 C FRS3HR5J (FRS3HR5JW0)
 D FRS3HR5J (FRS3HR5JMB0)
 E FRS3HR5J (FRS3HR5JSB0)

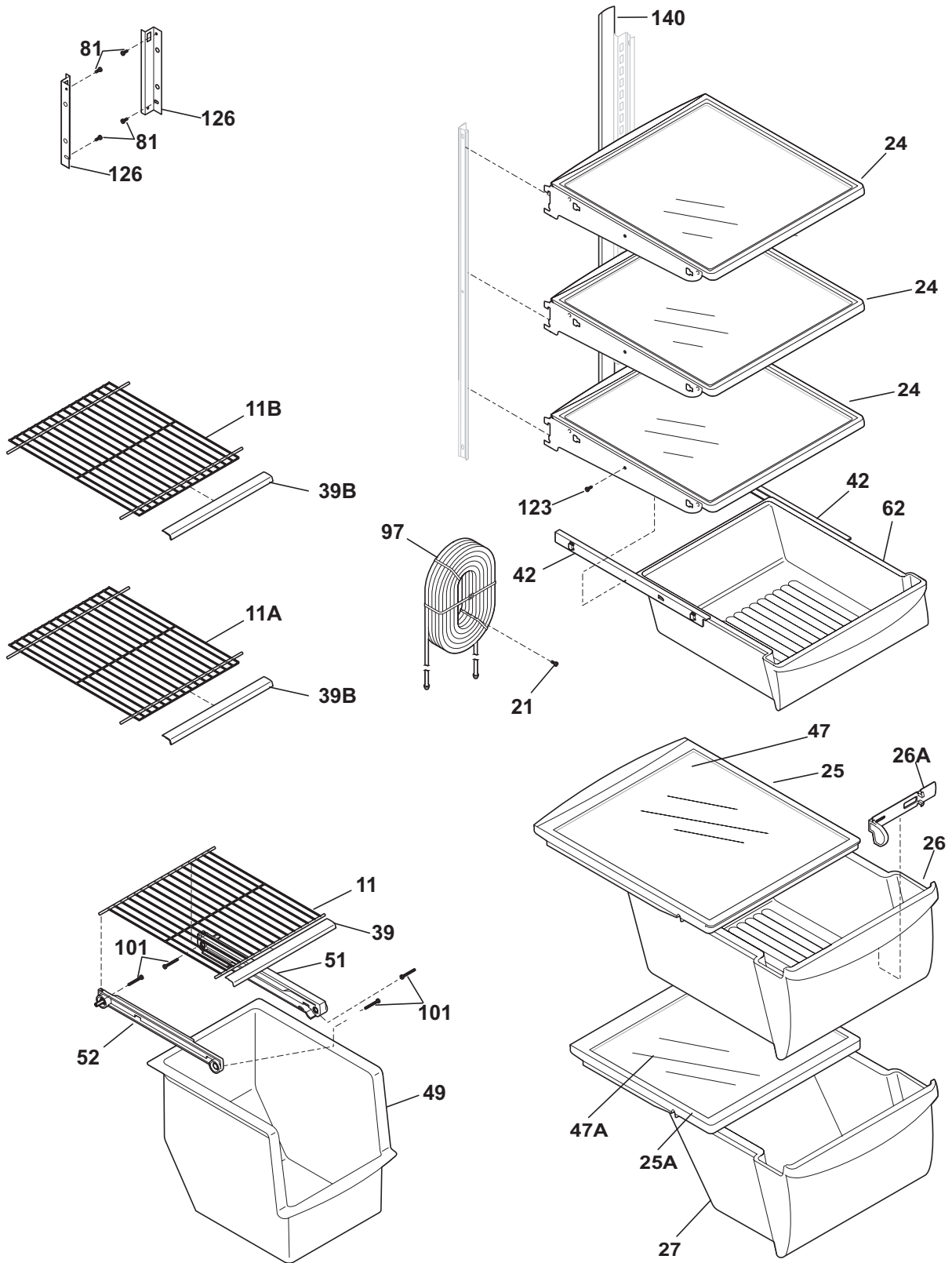
POS. NO	PART NO.		DESCRIPTION
2	241786007	A - - D E	Gasket-refr door, black, magnetic
2	241786003	- B C - -	Gasket-refr door, white, magnetic
4	240363701	A B C D E	Bin-door, 2-liter
7	240338303	A B C D E	Door, dairy, clear
13	240581905	A - - D E	Door Stop, black, ref
13	240581903	- B - - -	Door Stop, bisque, ref
13	240581901	- - C - -	Door Stop, white, refr
15	240451919	A - - - -	Door-refr, black, complete assy
15	240451917	- B - - -	Door-refr, bisque, complete assy
15	240451913	- - C - -	Door-refr, white, complete assy
15	241534554	- - - D -	Door-refr, silver mist, complete assy
15	241837228	- - - - E	Door-refr, stainless, complete assy
18	241934302	A - - D -	Handle-door, black
18	241934303	- B - - -	Handle-door, bisque
18	241934301	- - C - -	Handle-door, white
18	240536818	- - - - E	Handle-door, stainless steel, with insert, & set screw
21	218781101	A B C D E	Screw, pan head, 8-18 x 0.625
21A	240598402	A B C D E	Screw, 10-32 x 1/2
21C	240521304	A B C D -	Screw, #8-18 x 3/4
22	240328203	A - - D E	Bearing-hinge, black, closer
22	240328201	- B C - -	Bearing-hinge(ref), closer
22B	240328404	A - - D E	Bearing-hinge, black, upper
22B	240328402	- B C - -	Bearing-hinge, natural, upper
37	241927002	A - - D -	Trim-door handle, black, bottom
37	241927003	- B - - -	Trim-door handle, bisque, bottom
37	241927001	- - C - -	Trim-door handle, white, bottom
49	240324501	A B C D E	Bin-door, gallon
72	240421701	A B C D -	Button-handle mtg, dovetail
73	218396700	A B C D -	Block-handle mtg, dovetail
74	215503204	A B C D -	Screw, cr pan hd, 10-16
79	218755402	- - - - E	Screw-set, 10-32 x 0.375
80	218755504	- - - - E	Screw-shoulder, #10 AB, handle mounting

CABINET

Model Index: A FRS3HR5J (FRS3HR5JB0)
 B FRS3HR5J (FRS3HR5JQ0)
 C FRS3HR5J (FRS3HR5JW0)
 D FRS3HR5J (FRS3HR5JMB0)
 E FRS3HR5J (FRS3HR5JSB0)

POS. NO	PART NO.	A	B	C	D	E	DESCRIPTION
10	240435911	A	B	C	D	E	Cover-air duct
10A	240475910	A	B	C	D	E	Cover-evap coil, lower
11	5303208309	A	B	C	D	E	Plug-hole, factory test
14 #	240505801	A	B	C	D	E	Switch, light/lamp
14A	241547901	A	B	C	D	E	Switch-light/lamp, frzr door
21C	218252201	A	B	C	D	E	Screw, #8 truss hd, 10-32CA x 0.500
22	240457702	A	-	-	D	E	Plate-door closer
22	240457701	-	B	C	-	-	Plate-door closer
23	240402702	A	B	C	D	E	Screw-#10-32 x 1/4 flat hd
28	241708801	A	B	C	D	E	Bolt-roller adj, hex washer head, 1/4-20 x 4.020, (2), special
30	241603703	A	B	C	D	E	Bracket-lower hinge, ref
30A	241603704	A	B	C	D	E	Bracket-lower hinge
37	240337610	A	-	-	D	E	Trim-cabinet corner, black, (2)
37	240337611	-	B	-	-	-	Trim-cabinet corner, bisque, (2)
37	240337608	-	-	C	-	-	Trim-cabinet corner, white, (2)
38	240327206	A	-	-	D	E	Bracket-upper hinge
38	240327207	-	B	C	-	-	Bracket-upper hinge
40	240327007	A	-	-	D	E	Cover-upper hinge, black
40	240327006	-	B	-	-	-	Cover-upper hinge, bisque
40	240327005	-	-	C	-	-	Cover-upper hinge, white
41	241550801	A	B	C	D	E	Grommet-shelf mtg, 1.40" long
41*	241550701	A	B	C	D	E	Grommet-shelf mtg, .96" long
42	240578902	A	B	C	D	E	Screw, hex head, 1/4-20 x 5/8
43	241882901	A	B	C	D	E	Roller Assy, adjustable, front, (2)
45	241500303	A	B	C	D	E	Screw, hex washer head, 8-18AB x 0.500
47	218659500	A	B	C	D	E	Channel-shelf mtg, side, (2)
58	218781101	A	B	C	D	E	Screw, pan head, 8-18 x 0.625
66B	240374301	A	B	C	D	E	Diffuser-air
66B*	240518802	A	B	C	D	E	Pin-push, push-in, plastic
72	240324405	A	-	-	D	E	Grille/Kickplate, black
72	240324403	-	B	-	-	-	Grille/Kickplate, bisque
72	240324401	-	-	C	-	-	Grille/Kickplate, white
81	5304455650	A	B	C	D	E	Screw, hex washer head, 8-15A x 0.625, low profile
82	5304418225	A	B	C	D	E	Roller, compressor base, rear, (2)
83	5304455655	A	B	C	D	E	Rivet, flat head, 1/4 OD x 1-3/4, roller pin
89	241733901	A	B	C	D	E	Cover-access, w/label
90	218249807	A	B	C	D	E	Seal-coil cover
91	240380101	A	B	C	D	E	Duct-ice maker
92	241710601	A	B	C	D	E	Screw, hex washer hd, 1/4 x 7/8, hinge mtg
100	240423701	A	B	C	D	E	Support, crisper cover, front, (4)
100*	240350802	A	B	C	D	E	Support, crisper cover, rear, (4)
150	240368701	A	B	C	D	E	Guide-control bulb
*	240396801	A	B	C	D	E	Clamp, tube/wiring, nylon, black/natural
*	240479601	A	B	C	D	E	Plug, button, cab liner holes
*	5303321321	A	-	-	D	E	Paint, touch-up, black
*	5304414035	-	B	-	-	-	Paint, touch-up, bisque
*	5303321319	-	-	C	-	-	Paint, touch-up, white

SHELVES



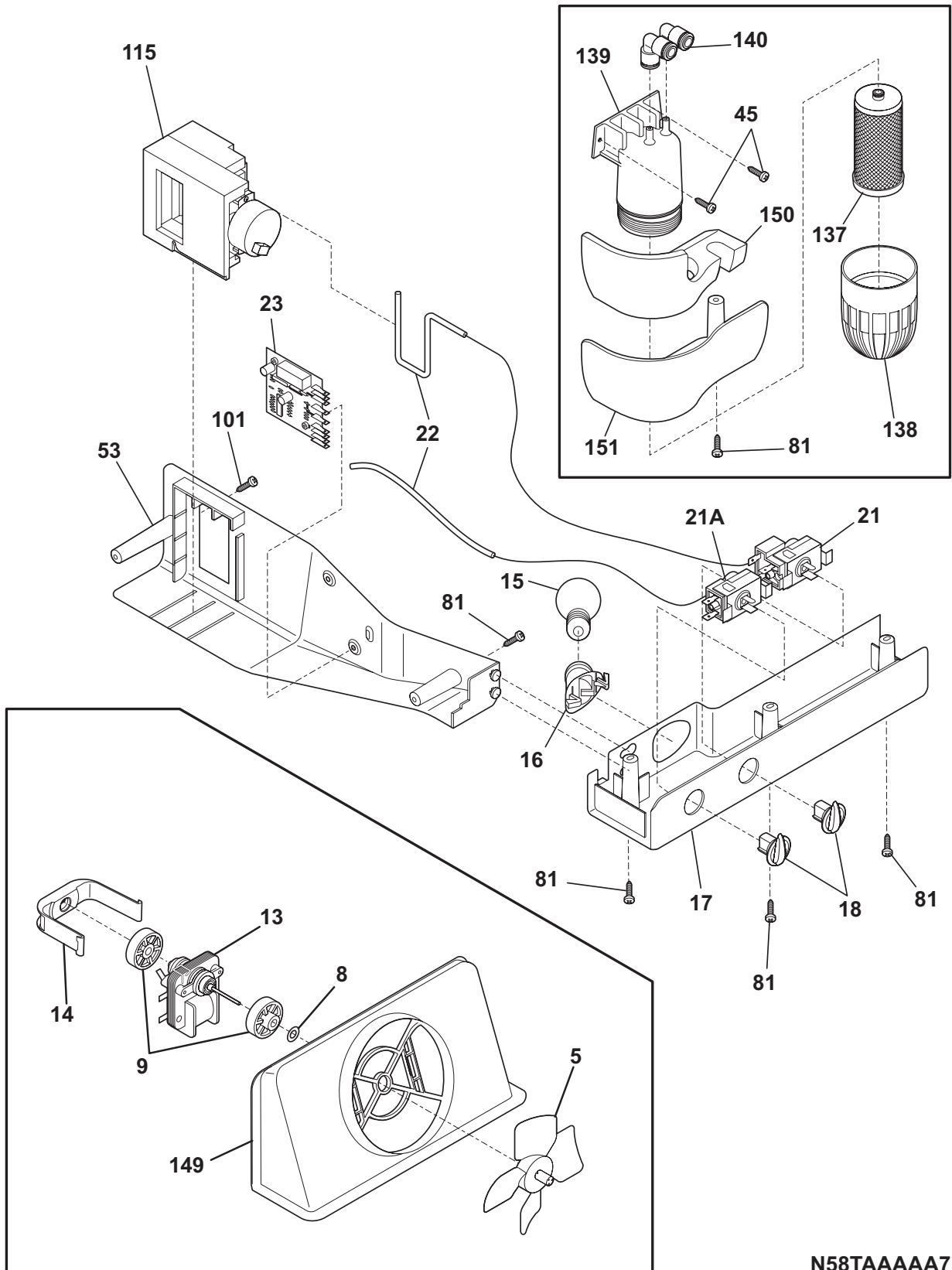
N58SJCAAB15

SHELVES

Model Index: A FRS3HR5J (FRS3HR5JB0)
 B FRS3HR5J (FRS3HR5JQ0)
 C FRS3HR5J (FRS3HR5JW0)
 D FRS3HR5J (FRS3HR5JMB0)
 E FRS3HR5J (FRS3HR5JSB0)

POS. NO	PART NO.	A	B	C	D	E	DESCRIPTION
11	241657601	A	B	C	D	E	Shelf, flip up, wire
11A	241657501	A	B	C	D	E	Shelf, fixed, freezer
11B	241657503	A	B	C	D	E	Shelf, fixed upper, freezer
21	5304455658	A	B	C	D	E	Screw, hx wshr hd sems, 8-15A x 0.625
24	240355211	A	B	C	D	E	Shelf-"Spill-Safe", fixed
25	240354502	A	B	C	D	E	Cover-crisper pan, upper
25*	240362101	A	B	C	D	E	Clip-slide, cover-crisper
25A	240354602	A	B	C	D	E	Cover-crisper pan, lower
26	240354705	A	B	C	D	E	Pan-crisper, upper
26*	240349801	A	B	C	D	E	Clip-slide, pan-crisper
26A	240351101	A	B	C	D	E	Control-humidity
27	240354807	A	B	C	D	E	Pan-crisper, lower
39	240430705	A	B	C	D	E	Trim-shelf, front
39B	240430701	A	B	C	D	E	Trim-shelf, front
42	240356501	A	B	C	D	E	Track, meat pan hanger, RH
42	240365401	A	B	C	D	E	Track, meat pan hanger, LH
47	240350635	A	B	C	D	E	Insert-pan cover, glass
47A	240350614	A	B	C	D	E	Insert-pan cover, glass
49	240564301	A	B	C	D	E	Basket-sliding
51	240343002	A	B	C	D	E	Hanger-basket, RH
52	240343102	A	B	C	D	E	Hanger-basket, LH
62	240355506	A	B	C	D	E	Pan-meat
81	5304455650	A	B	C	D	E	Screw, hex washer head, 8-15A x 0.625, low profile
97	240545308	A	B	C	D	E	Water Tank
101	218493101	A	B	C	D	E	Screw, hex washer head, 8-18AB x 1-3/4
123	215005101	A	B	C	D	E	Screw, hanger/rlr mtg, 8-10 x 7/16
126	241674401	A	B	C	D	E	Channel, auger mtg, LH
126	241674402	A	B	C	D	E	Channel, auger mtg, RH
140	240430501	A	B	C	D	E	Channel, wtr tube cover
*	241868058	A	B	C	-	-	Energy Guide
*	241868067	-	-	-	D	-	Energy Guide
*	241868068	-	-	-	-	E	Energy Guide

CONTROLS



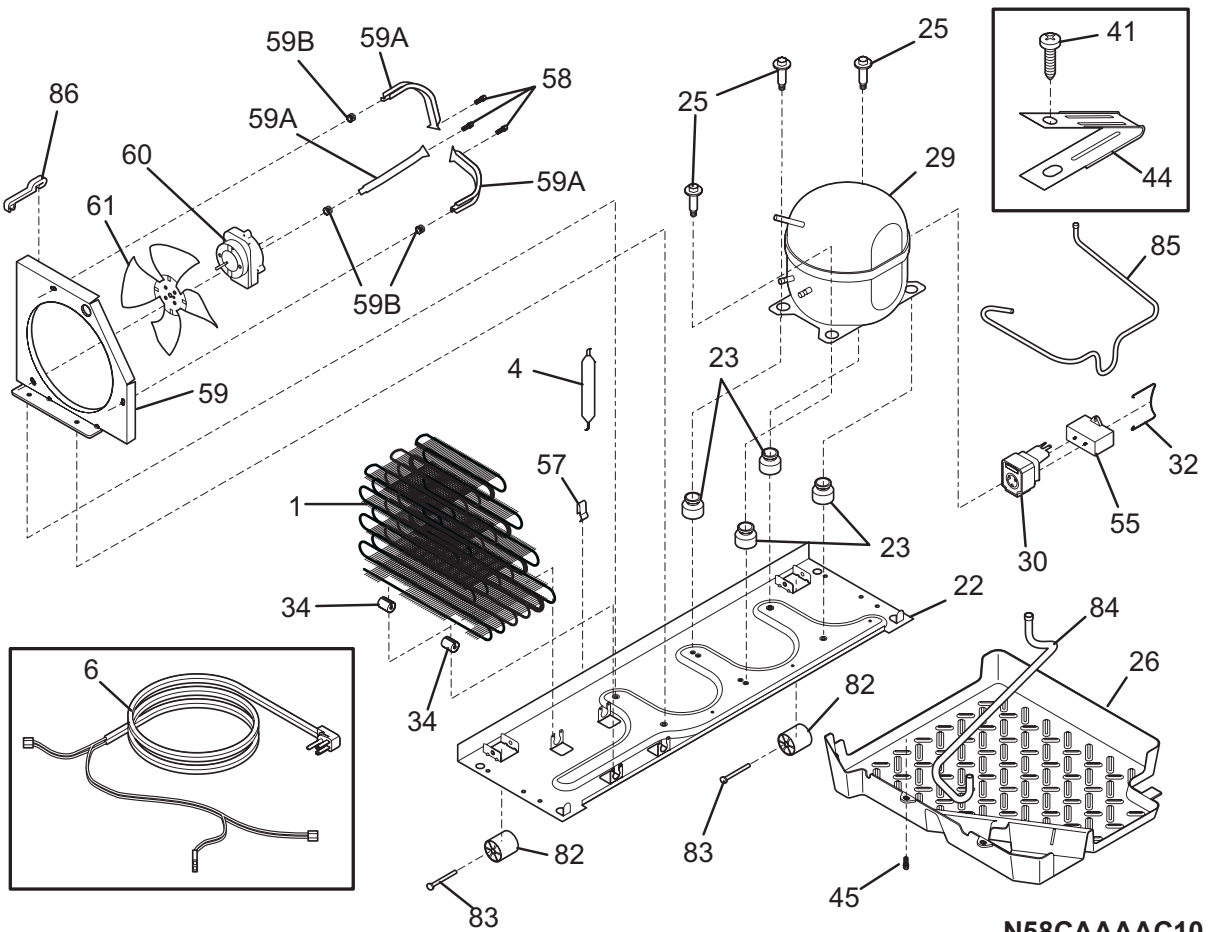
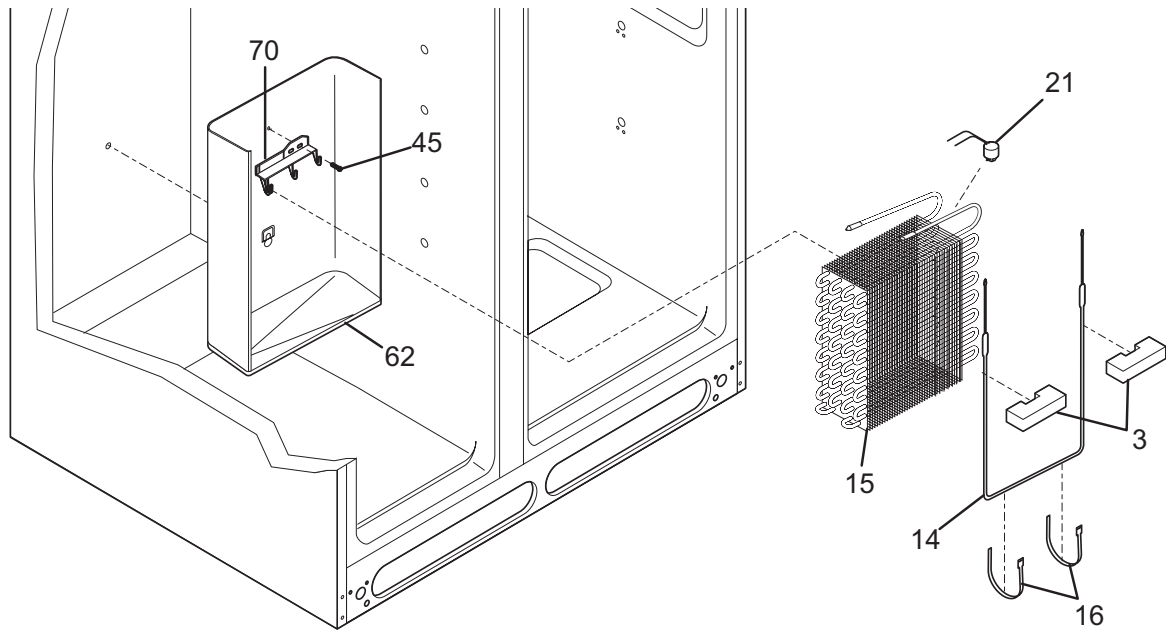
N58TAAAAA7

CONTROLS

Model Index: A FRS3HR5J (FRS3HR5JB0)
 B FRS3HR5J (FRS3HR5JQ0)
 C FRS3HR5J (FRS3HR5JW0)
 D FRS3HR5J (FRS3HR5JMB0)
 E FRS3HR5J (FRS3HR5JSB0)

POS. NO	PART NO.	A	B	C	D	E	DESCRIPTION
5 #	5308000010	A	B	C	D	E	Fan Blade, red, evaporator fan
8	215474201	A	B	C	D	E	Washer, "slinger", nylon, evap fan shaft
9	241563601	A	B	C	D	E	Bushing-motor mtg, (2)
13	240369702	A	B	C	D	E	Motor-evap fan
14	241517701	A	B	C	D	E	Clip, evap fan motor
15	241555401	A	B	C	D	E	Light Bulb
16 #	241513901	A	B	C	D	E	Socket-light
17	240374006	A	B	C	D	E	Box-control, front
17*#	241735702	A	B	C	D	E	Harness-wiring, control box
18	240360801	A	B	C	D	E	Knob, temp control
21 #	241586501	A	B	C	D	E	Control-temperature
21A#	5304421067	A	B	C	D	E	Control-temperature, frzr section
22	218660704	A	B	C	D	E	Tube, insulator, plastic
23 #	241736601	A	B	C	D	E	Control-defrost, adaptive timer, PC board
23*	5304455649	A	B	C	D	E	Screw-timer mtg, pan hd, 6-20 x 0.438, (2)
45	241500303	A	B	C	D	E	Screw, hex washer head, 8-18AB x 0.500
53	240369501	A	B	C	D	E	Box-control
81	5304455650	A	B	C	D	E	Screw, hex washer head, 8-15A x 0.625, low profile
101	241637202	A	B	C	D	E	Screw, #8AB x 1 3/4"
115	241600905	A	B	C	D	E	Damper Assy, w/seal
137#	240389102	A	B	C	D	E	Filter, water, carbon canister, rear, with o'rings
137*	218710300	A	B	C	D	E	Wrench-filter
138	240434401	A	B	C	D	E	Cup-water filter
138*	218904301	A	B	C	D	E	O-ring, wtr filter cup
139	240434301	A	B	C	D	E	Housing-water filtr
140	240545201	A	B	C	D	E	Elbow-water tube
149	241563401	A	B	C	D	E	Shroud-fan orifice
149*	241528305	A	B	C	D	E	Seal, shroud
150	240394102	A	B	C	D	E	Insulation-water filter cover
151	240376002	A	B	C	D	E	Cover-water filter

SYSTEM



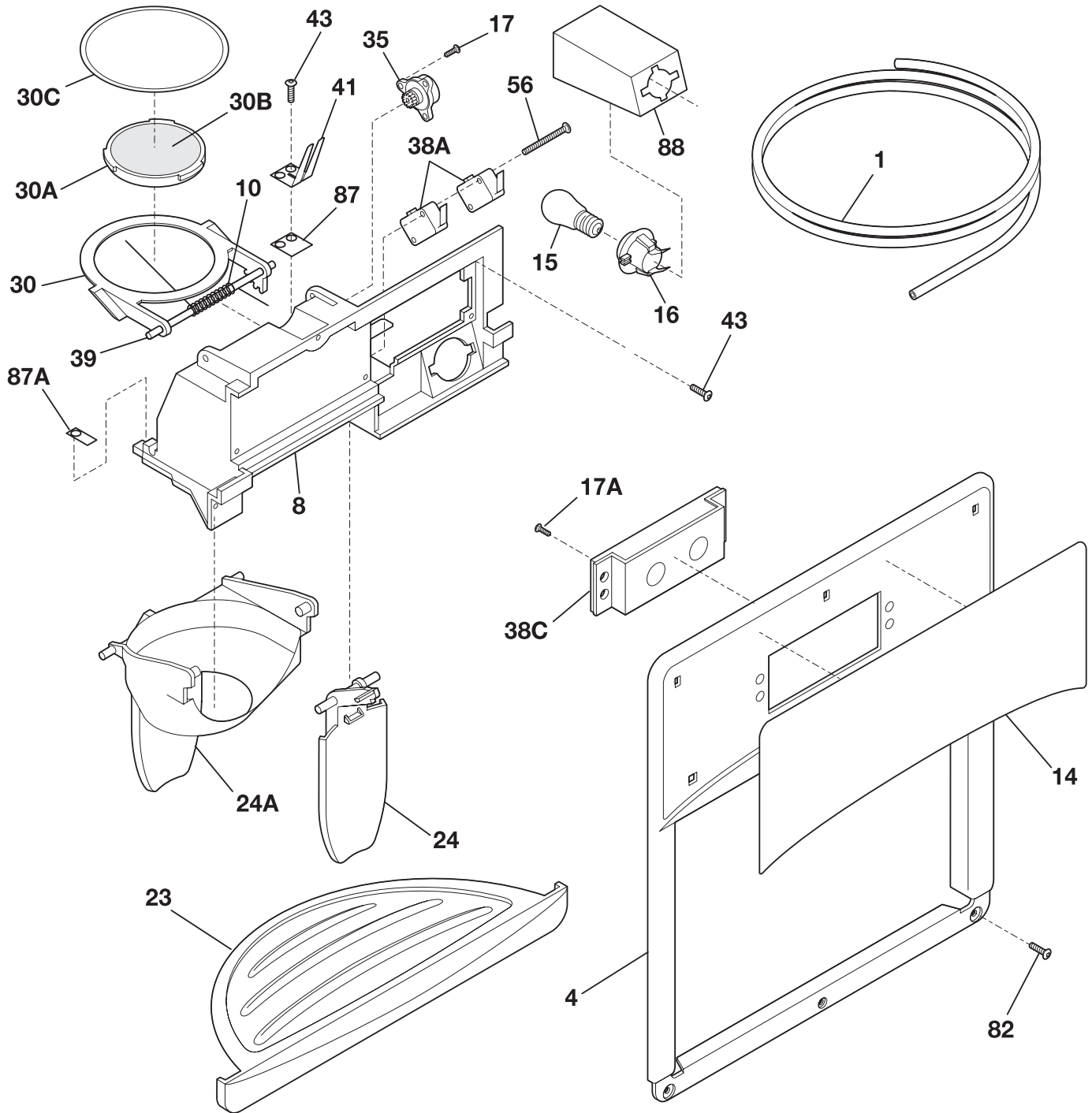
N58CAAAC10

SYSTEM

Model Index: A FRS3HR5J (FRS3HR5JB0)
 B FRS3HR5J (FRS3HR5JQ0)
 C FRS3HR5J (FRS3HR5JW0)
 D FRS3HR5J (FRS3HR5JMB0)
 E FRS3HR5J (FRS3HR5JSB0)

POS. NO	PART NO.	A	B	C	D	E	DESCRIPTION
1	240333602						Condenser
3	218679606						Block-evap coil, styrofoam, (2)
4 #	218944001						Drier-filter, R134a System
6 #	241586801						Harness-wiring, machine compt
6* #	241651601						Harness-wiring, evaporator
6* #	241735702						Harness-wiring, control box
14 #	240316107						Heater-defrost
15 #	5303918286						Evaporator Kit
16	5308000110						Strap-evap/heater, aluminum, (2)
21	5303918214						Thermostat-defrost, kit
22	240330010						Base-compressor
22*	218252201						Screw, #8 truss hd, 10-32CA x 0.500
23	241659701						Grommet, compressor
25	240491503						Screw-compressor mtg, 1/4-28 x 1.16, (4)
26	241697601						Pan-defrost
29 #	5303918359						Compressor, w/o electricals
30 #	241707712						Starter, PTC
32	241715901						Strap-cover
34	240405201						Grommet, rubber, black, cond tube/wire
41	240555002						Screw-#8-32 X 3/8
44	215174700						Clamp-service cord, strain relief, galv steel
45	5304455650						Screw, hex washer head, 8-15A x 0.625, low profile
55	218909913						Capacitor, run, 220 VAC, 15 microfarad
57	240542601						Clip-wiring harness
58	240433203						Screw, hex washer head, 8-18 x 3/8
59	240315502						Shroud-cond fan
59*	240346701						Tape-foam seal, shroud
59*	240359403						Screw-fan shroud, (2)
59A	240346501						Bracket-support, cond mtr, (3)
59B	240346601						Grommet-bracket, (3)
60	241584301						Motor-condenser fan
61	241639501						Blade-condenser fan
62	240429401						Trough-drain
70	218990801						Bracket-evap/cvr mtg
82	5304418225						Roller, compressor base, rear, (2)
83	5304455655						Rivet, flat head, 1/4 OD x 1-3/4, roller pin
84	5304421068						Tube-drain, lower
85	240346201						Tube-connector, suction
86	240409302						Spacer-cond tube, black
*	5303918222						Hot Tube Repair Kit, service
* #	5303918328						Heat Exchanger Kit, suction line, service

ICE & WATER DISPENSER



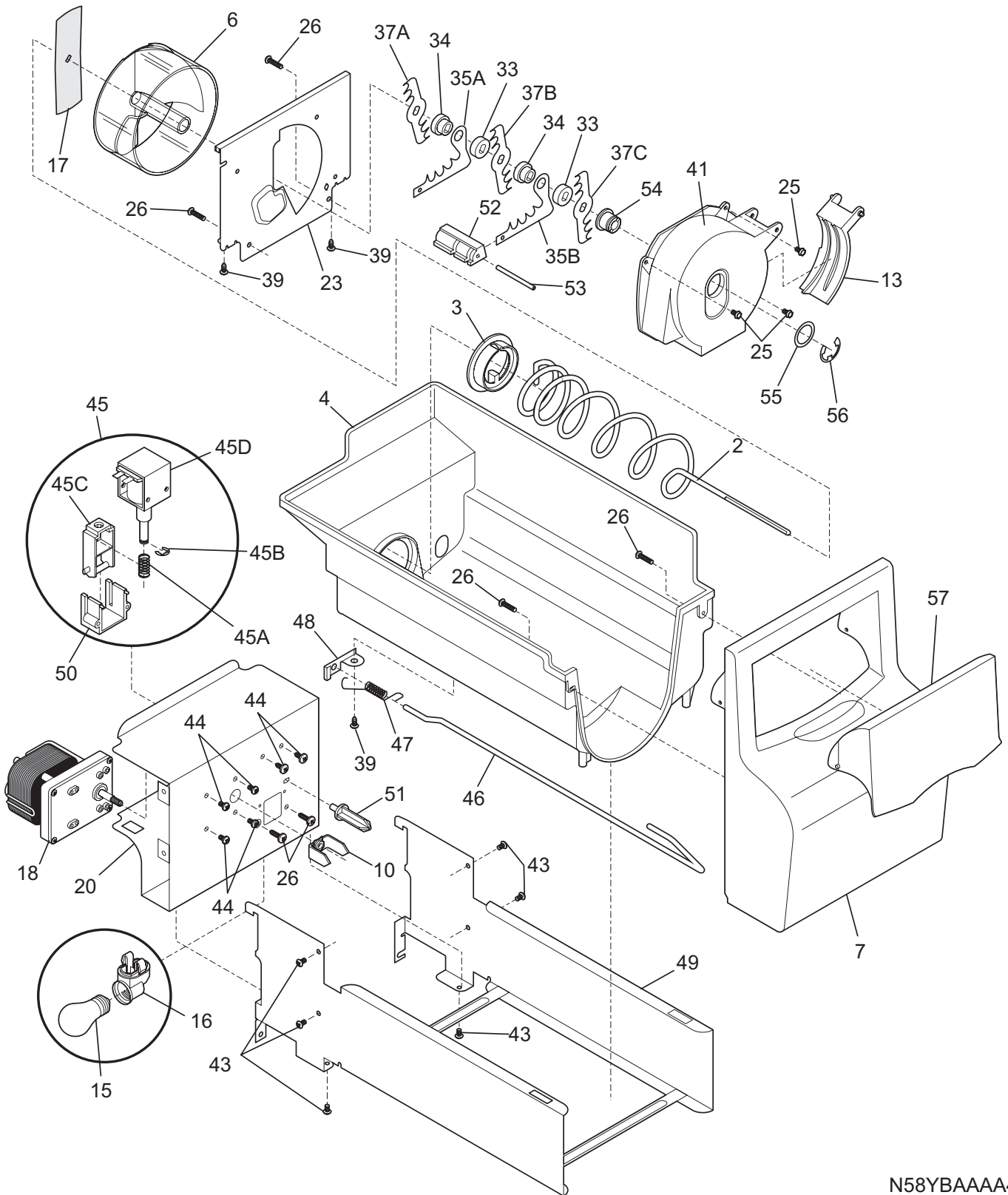
N58XDAAA1

ICE & WATER DISPENSER

Model Index: A FRS3HR5J (FRS3HR5JB0)
 B FRS3HR5J (FRS3HR5JQ0)
 C FRS3HR5J (FRS3HR5JW0)
 D FRS3HR5J (FRS3HR5JMB0)
 E FRS3HR5J (FRS3HR5JSB0)

POS. NO	PART NO.	A	B	C	D	E	DESCRIPTION
1	218976409	A	B	C	D	E	Tube, water, door
1*	218976419	A	B	C	D	E	Tube-water inlet, valve to door
1*	218976420	A	B	C	D	E	Tube-water inlet, inlet valve, to filter
1*	218976915	A	B	C	D	E	Tube-water inlet, inlet valve, to filter
1*	240561701	A	B	C	D	E	Seal-water inlet, inlet valve, to ice maker
4	241679003	A	-	-	D	E	Cover-module, black
4	241679002	-	B	-	-	-	Cover-module, bisque
4	241679001	-	-	C	-	-	Cover-module, white
8	241680507	A	-	-	D	E	Module-dispenser
8	241680506	-	B	-	-	-	Module-dispenser
8	241680505	-	-	C	-	-	Module-dispenser
10	241688901	A	B	C	D	E	Spring-torsion
14	240570206	A	-	-	D	E	Label-module cover, black
14	240570205	-	B	-	-	-	Label-module cover, bisque
14	240570204	-	-	C	-	-	Label-module cover, white
15	241689401	A	B	C	D	E	Light Bulb
16	240548901	A	B	C	D	E	Socket-light
17	241679801	A	B	C	D	E	Screw
17A	241679901	A	B	C	D	E	Screw, switch mtg.
23	241649003	A	-	-	D	E	Drip Tray, black
23	241649002	-	B	-	-	-	Drip Tray, bisque
23	241649001	-	-	C	-	-	Drip Tray, white
24	241682003	A	-	-	D	E	Actuator-water, black
24	241682002	-	B	-	-	-	Actuator-water, bisque
24	241682001	-	-	C	-	-	Actuator-water, white
24A	241681903	A	-	-	D	E	Actuator-ice, black
24A	241681902	-	B	-	-	-	Actuator-ice, bisque
24A	241681901	-	-	C	-	-	Actuator-ice, white
30	241688401	A	B	C	D	E	Door Assy-ice chute
30A	241688501	A	B	C	D	E	Door center
30B	241688601	A	B	C	D	E	Insulation-door
30C	241688701	A	B	C	D	E	Door seal
35	241689301	A	B	C	D	E	Damper-rotary
38A#	241689101	A	B	C	D	E	Switch-micro, single pole, double throw
38A*	241679201	A	B	C	D	E	Harness-wiring
38C#	241679101	A	B	C	D	E	Switch
38C*	241686001	A	B	C	D	E	Harness-wiring
39	241688801	A	B	C	D	E	Pin-hinge
41	241689001	A	B	C	D	E	Spring-actuator
43	215296301	A	B	C	D	E	Screw, plask h/l, #6 x 3/8
56	241689201	A	B	C	D	E	Screw-micro switch, pan head
82	240363402	A	B	C	D	E	Screw-#8-18 X 1/2, #6 hd plask
87	241688302	A	B	C	D	E	Bearing Plate
87A	241688301	A	B	C	D	E	Bearing Plate
88	241686101	A	B	C	D	E	Shield-light
*	218515403	A	B	C	D	E	Clip-grille
*	5303918256	A	B	C	D	E	Dispenser heater kit

ICE CONTAINER



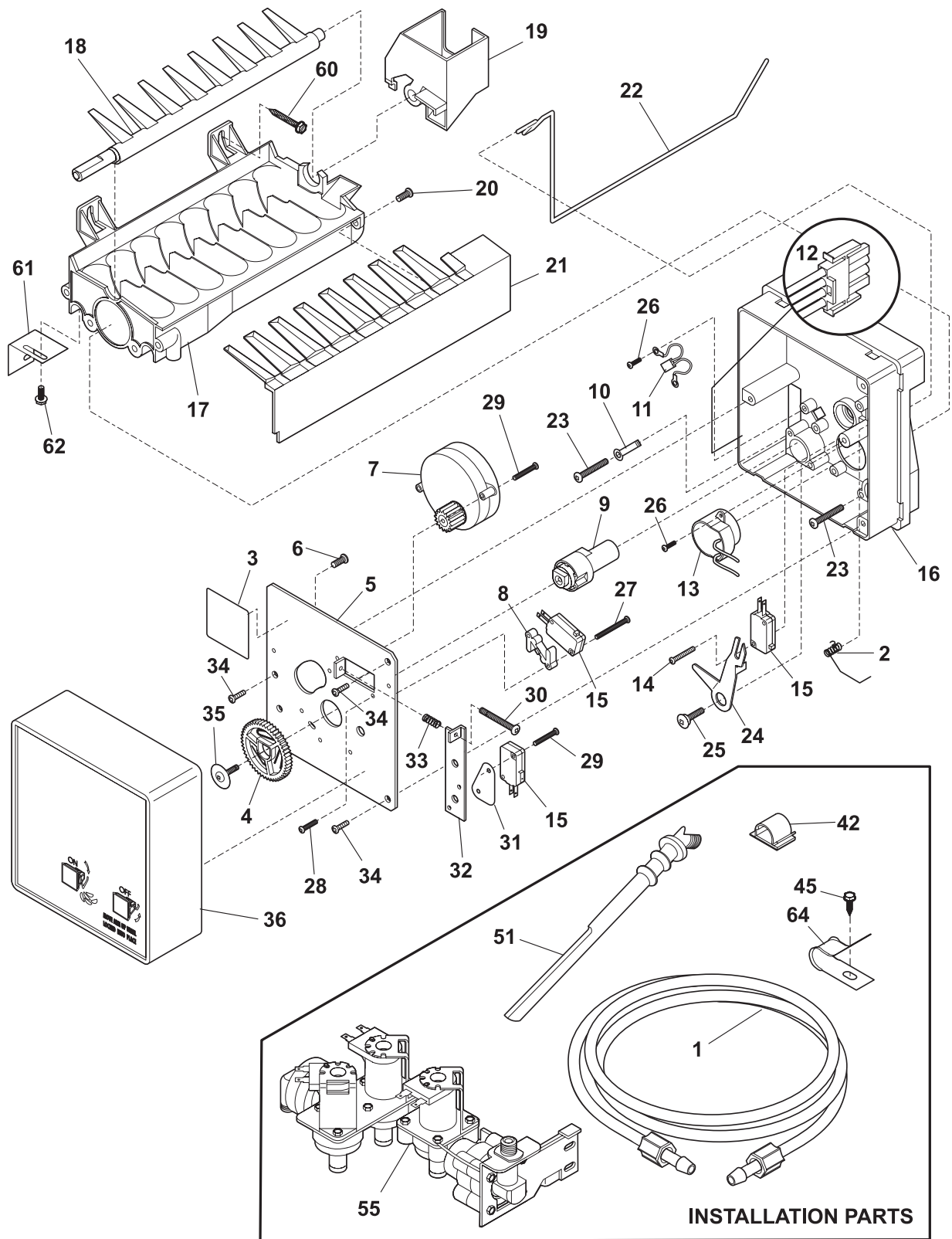
N58YBAAAA4

ICE CONTAINER

Model Index: A FRS3HR5J (FRS3HR5JB0)
 B FRS3HR5J (FRS3HR5JQ0)
 C FRS3HR5J (FRS3HR5JW0)
 D FRS3HR5J (FRS3HR5JMB0)
 E FRS3HR5J (FRS3HR5JSB0)

POS. NO	PART NO.	A	B	C	D	E	DESCRIPTION
2	241716101						Auger-ice
3	241685201						Cam-drive
4	241734001						Container-ice, bucket only
6	241685101						Drum-ice disp
7	241734201						Front-ice container
10	241726501						Bar-drive
13	241685301						Gate
15	241555401						Light Bulb
16	241559801						Socket-light
17	241684501						Drive Blade
18	241676201						Motor-auger
18*	240352602						Wiring Harness, internal, wiring harness
20	241734802						Cover-motor
23	241684001						Plate-front
25	241690701						Screw, hex washer head, 8-32T x 0.375
26	215503205						Screw, cr pan hd, 10-16 x 0.500
33	241684801						Spacer
34	241689801						Spacer
35A	241684301						Fixed Blade, round
35B	241684201						Fixed Blade, square
37A	241684101						Blade, crusher #1
37B	241684102						Blade, crusher #2
37C	241684103						Blade, crusher #3
39	241690501						Screw
41	241685601						Housing-crusher
43	215005101						Screw, hanger/rlr mtg, 8-10 x 7/16
44	218359202						Screw, pan head, 8-32 x 0.250
45 #	241675701						Solenoid Assy, 115V
45A	241675901						Spring-solenoid
45B	241676001						E-Ring-solenoid
45C	241676101						Actuator-solenoid
45D#	241675801						Solenoid, 115V
46	241716002						Control Rod
47	241731801						Spring-control rod
48	241684602						Bracket-control rod
49	241734401						Rail Assy
50	241675601						Guide-solenoid
51	241676301						Rotation Stop
52	241684901						Spacer-fixed blades
53	241690402						Pin-spiral, fixed blades
54	241685001						Nut-auger
55	241690306						Washer
56	241690201						E-ring
57	241734101						Door-access
*	240507202						Deflector-ice container
*	241860803						Ice Container Assy, w/moving parts

ICE MAKER



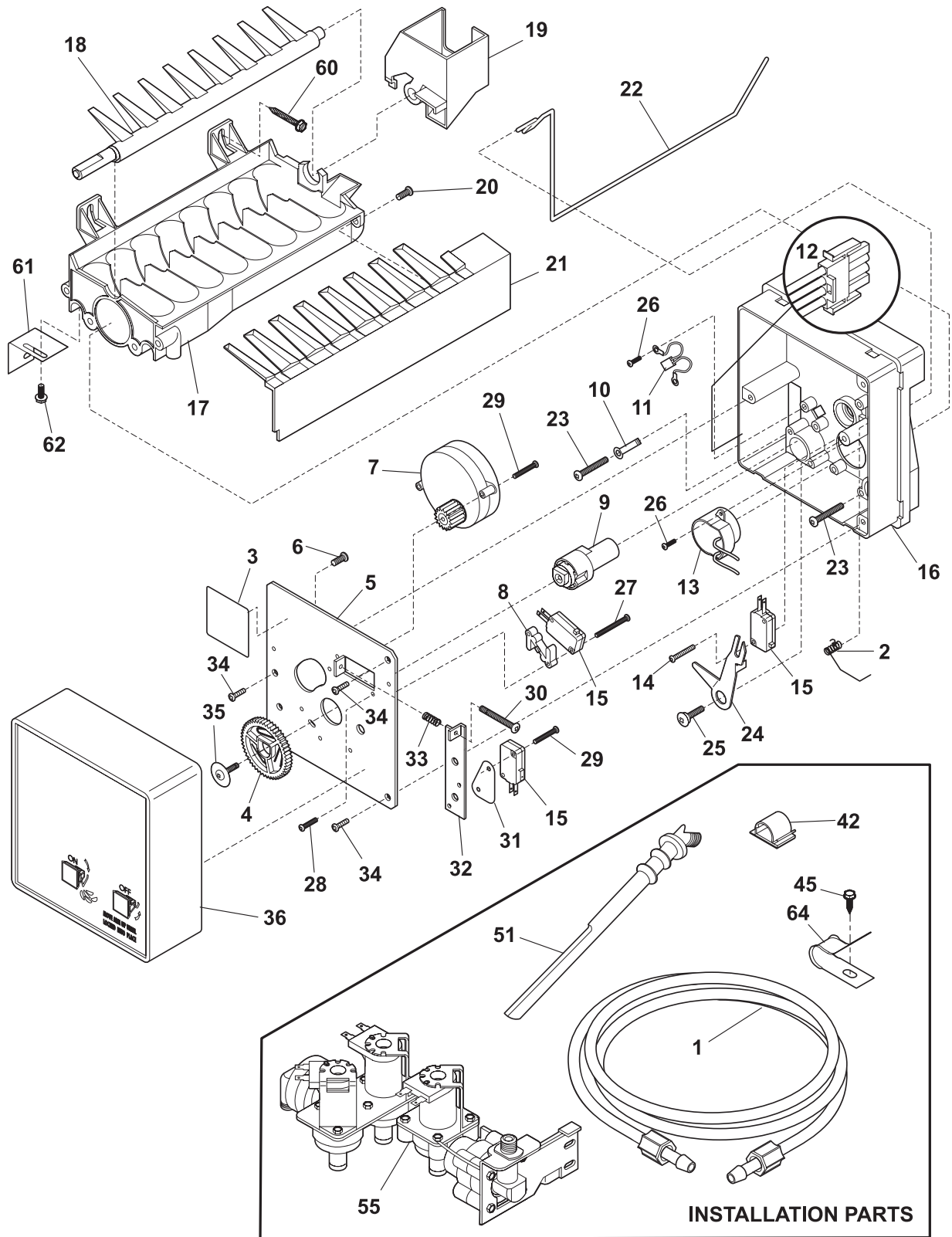
N581151

ICE MAKER

Model Index: A FRS3HR5J (FRS3HR5JB0)
 B FRS3HR5J (FRS3HR5JQ0)
 C FRS3HR5J (FRS3HR5JW0)
 D FRS3HR5J (FRS3HR5JMB0)
 E FRS3HR5J (FRS3HR5JSB0)

POS. NO	PART NO.	A	B	C	D	E	DESCRIPTION
1	218976409	A	B	C	D	E	Tube, water, door
1*	218976419	A	B	C	D	E	Tube-water inlet, valve to door
1*	218976420	A	B	C	D	E	Tube-water inlet, inlet valve, to filter
1*	218976915	A	B	C	D	E	Tube-water inlet, inlet valve, to filter
1*	240561701	A	B	C	D	E	Seal-water inlet, inlet valve, to ice maker
2	5304456650	A	B	C	D	E	Spring-shutoff arm, ice maker
3	5304456657	A	B	C	D	E	Nameplate
4	5304456658	A	B	C	D	E	Gear
5	5304456659	A	B	C	D	E	Plate-mounting
6	5304456691	A	B	C	D	E	Screw, M 3x20 #3, valve plate
7 #	5304445222	A	B	C	D	E	Motor-ice maker Svo
7*	5304445223	A	B	C	D	E	Spring Beam
8	5304456661	A	B	C	D	E	Spacer-hold switch
9	5304456662	A	B	C	D	E	Cam
10	5304456689	A	B	C	D	E	Retainer, thermostat
11 #	5304456663	A	B	C	D	E	Thermal Cutoff, ice maker, complete assy
12	5304456664	A	B	C	D	E	Harness-wiring
13	5304456665	A	B	C	D	E	Thermostat, ice maker
14	5304456666	A	B	C	D	E	Screw, M 3x20 #2, (6)
15 #	5304456667	A	B	C	D	E	Switch-micro, (3)
15*	5304456688	A	B	C	D	E	Terminal
16	5304456668	A	B	C	D	E	Support
17	5304456669	A	B	C	D	E	Mold-ice maker, w/therm cut off
18	5304456670	A	B	C	D	E	Ejector-ice
18*	240352602	A	B	C	D	E	Wiring Harness, internal, wiring harness
19	5304456671	A	B	C	D	E	Bearing & Inlet, fill cup
20	5304456677	A	B	C	D	E	Screw, 8-32 x 3/8
21	5304456672	A	B	C	D	E	Ice Stripper
22	5304456673	A	B	C	D	E	Shut-off Arm
23	5304456674	A	B	C	D	E	Screw, M 4x25 #2, mold-to-support, (2)
24	5304456675	A	B	C	D	E	Lever Arm
25	5304456676	A	B	C	D	E	Screw, M 4x12.8 #2, lever arm/sprt
26	5304456680	A	B	C	D	E	Screw, plask, 4-14 x 3/8
27	5304456677	A	B	C	D	E	Screw, M 3x25 #3, hold switch mtg, (2)
28	5304456660	A	B	C	D	E	Screw, M 4x6 #2
29	5304456678	A	B	C	D	E	Screw, M 3x12 #3, (2)
30	5304456679	A	B	C	D	E	Screw-timing adj, M 4x25 #3
31	5304456680	A	B	C	D	E	Insulator
32	5304456681	A	B	C	D	E	Plate-valve switch
33	5304456682	A	B	C	D	E	Spring, timing adjust
34	5304456683	A	B	C	D	E	Screw, M 4x12 #2, (3)
35	5304456684	A	B	C	D	E	Screw
36	5304456685	A	B	C	D	E	Cover-ice maker
36*	5304456690	A	B	C	D	E	Label, ID plate
42	218515403	A	B	C	D	E	Clip-grille
45	5304456650	A	B	C	D	E	Screw, hex washer head, 8-15A x 0.625, low profile

ICE MAKER



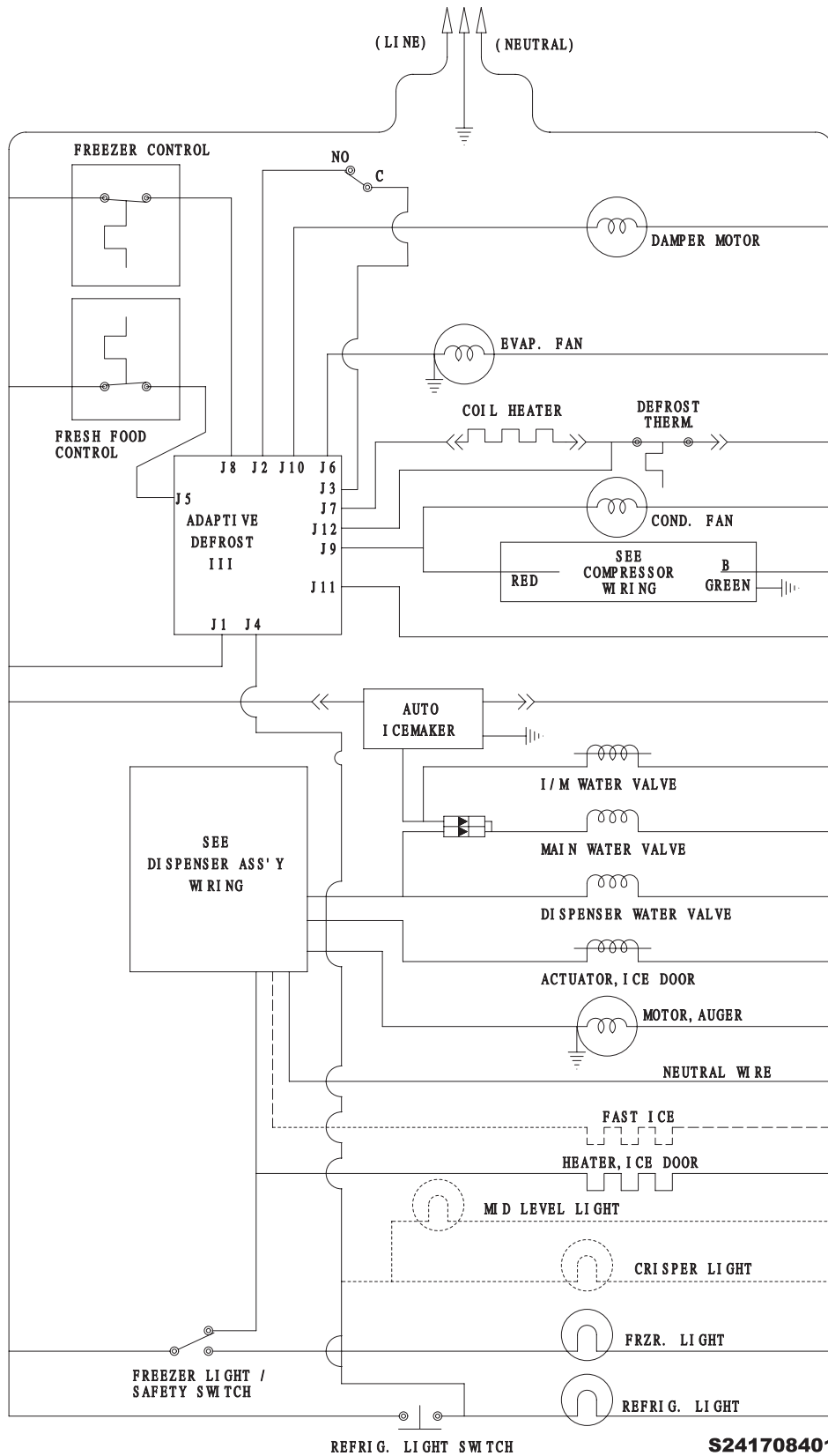
N581151

ICE MAKER

Model Index: A FRS3HR5J (FRS3HR5JB0)
 B FRS3HR5J (FRS3HR5JQ0)
 C FRS3HR5J (FRS3HR5JW0)
 D FRS3HR5J (FRS3HR5JMB0)
 E FRS3HR5J (FRS3HR5JSB0)

POS. NO	PART NO.	A	B	C	D	E	DESCRIPTION
51	241796401						Tube-water fill, extension
55 #	241734301						Valve-water, triple solenoid
55*	218709101						Screw, hex head, 10-32 x 0.500
55*	240363602						Screw-shoulder
55*	240542901						Cap-water valve
60	5303207328						Screw, hex washer head, 8-15A x 1.000, (2)
61	5304456686						Bracket-leveling, ice maker
62	5304456687						Screw-IM brkt mtg, pan hd phillips, 8-32T x 0.375
64	5303001549						Clamp, 0.31 ID, steel, copper wtr line
*	241642501						Ice Maker, radius cube, 115 V, Svce
*	241642601						Harness-wiring Svo
*	241806601						Connector-water, straight
*	5304456692						Washer
*	5304456693						Nut, M 3.5
*	5304456737						Washer

WIRING SCHEMATIC



S241708401

