

Frigidaire

Factory Parts Catalog

Product No.	PHS37EHSB3
Series	Professional
Color	stain/blk
Volts	115
Wiring Diagram	241725001
Owner's Guide	241856000
Market	North America
Energy Guide	241768152
Service Data Sheet	240389633

 **Electrolux**

Electrolux Major Appliances
North & Latin America
P.O. BOX 212378
AUGUSTA, GA 30917

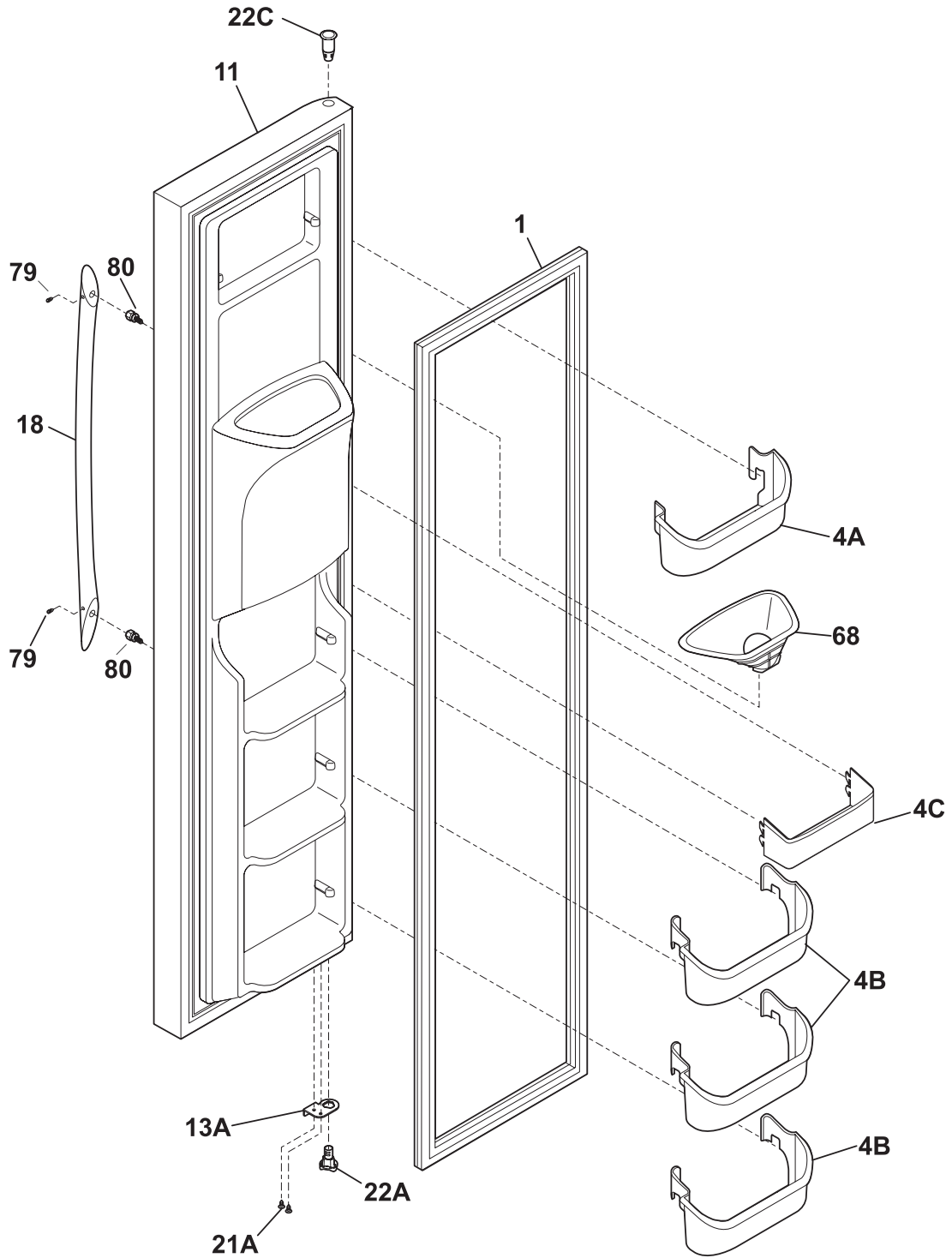
Publication No.
5995495123
07/07/16
(EN/SERVICE/KHB)
137

**SIDE-BY-SIDE
REFRIGERATOR**

Model No.
PHS37EH

Copyright © 2007 Electrolux Home Products, Inc.
All rights reserved.

FREEZER DOOR

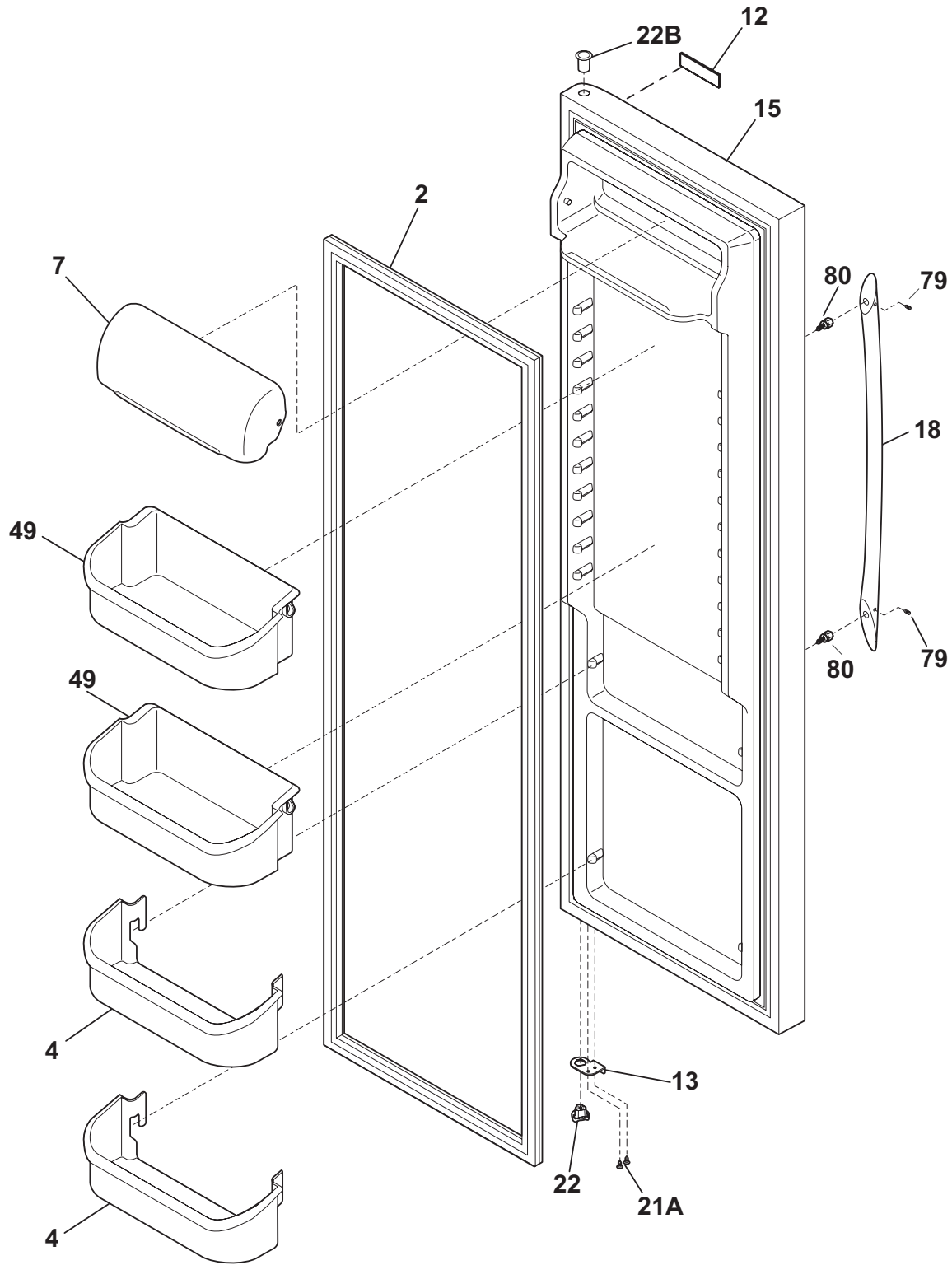


N58FFCBBC1

FREEZER DOOR

POS. NO	PART NO.	DESCRIPTION
1 #	241674808	Gasket-frzr door, black, magnetic
4A	240367301	Bin-door, frzr-upper
4B	240359001	Bin-door
4C	240358401	Bin-door, frzr-dispenser
11	241615188	Door-frzr, stainless, complete assy
13A	240581906	Door Stop, black, frzr
18	240536818	Handle-door, stainless steel, with insert, & set screw
18*	241601001	Wrench, allen
21A	240598402	Screw, 10-32 x 1/2
22A	240328204	Bearing-hinge(frz), black, closer
22C	240328404	Bearing-hinge, black, upper
68	241525101	Chute-ice
79	218755402	Screw-set, 10-32 x 0.375
80	218755504	Screw-shoulder, #10 AB, handle mounting
*	240552102	Harness-wiring, door
*	241806601	Connector-water, straight
*	5303918256	Dispenser heater kit

REFRIGERATOR DOOR

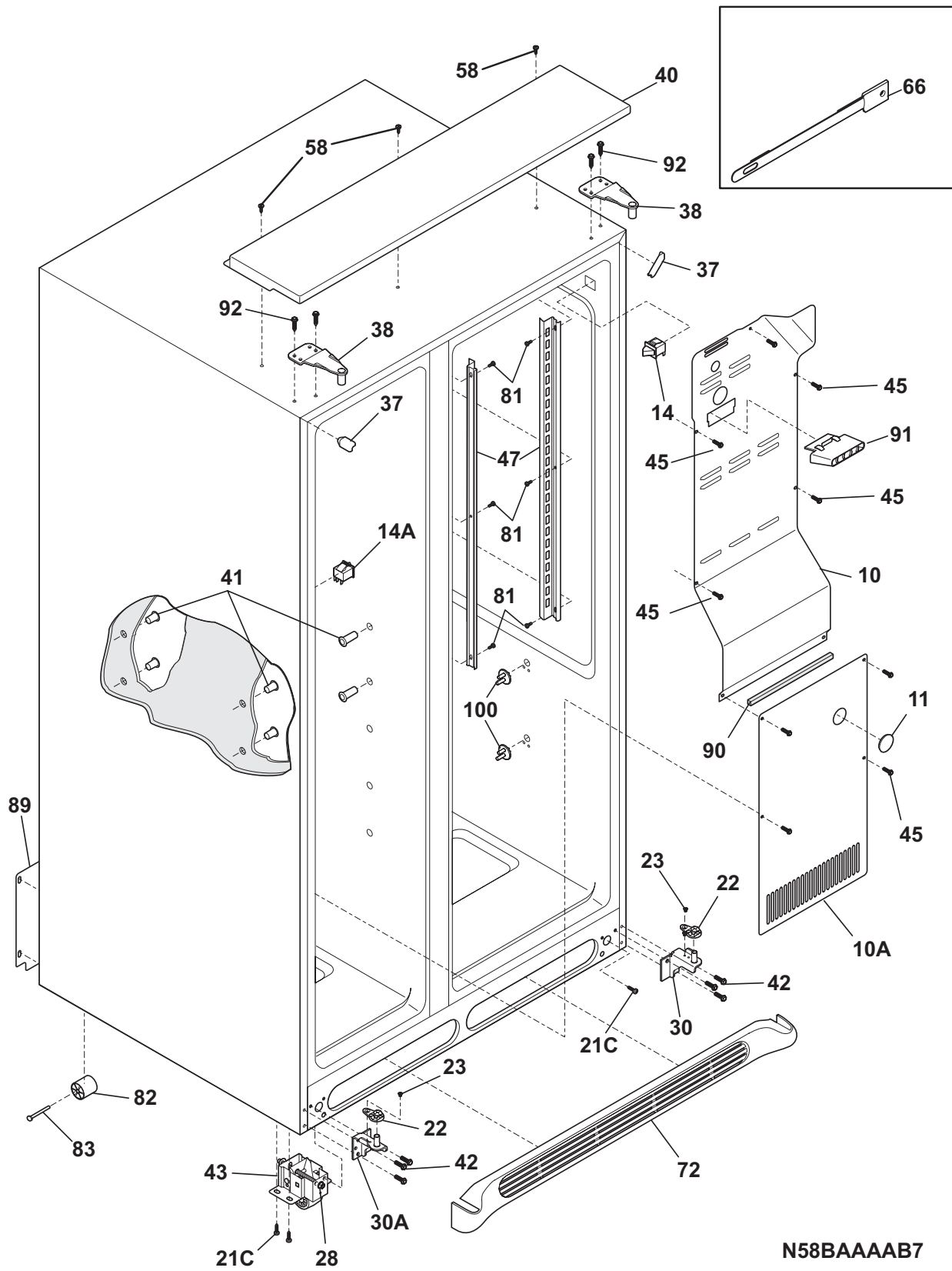


N58RFDAAB4

REFRIGERATOR DOOR

POS. NO	PART NO.	DESCRIPTION
2 #	241674807	Gasket-refr door, black, magnetic
4	240363702	Bin-door, 2-liter
7	240338303	Door, dairy, clear
12	241808801	Label-nameplate
13	240581905	Door Stop, black, ref
15	241534542	Door-refr, stainless, complete assy
18	240536818	Handle-door, stainless steel, with insert, & set screw
18*	241601001	Wrench, allen
21A	240598402	Screw, 10-32 x 1/2
22	240328203	Bearing-hinge, black, closer
22B	240328404	Bearing-hinge, black, upper
49	241808204	Bin-door, gallon, w/trim
49*	241780301	Liner, bin
79	218755402	Screw-set, 10-32 x 0.375
80	218755504	Screw-shoulder, #10 AB, handle mounting

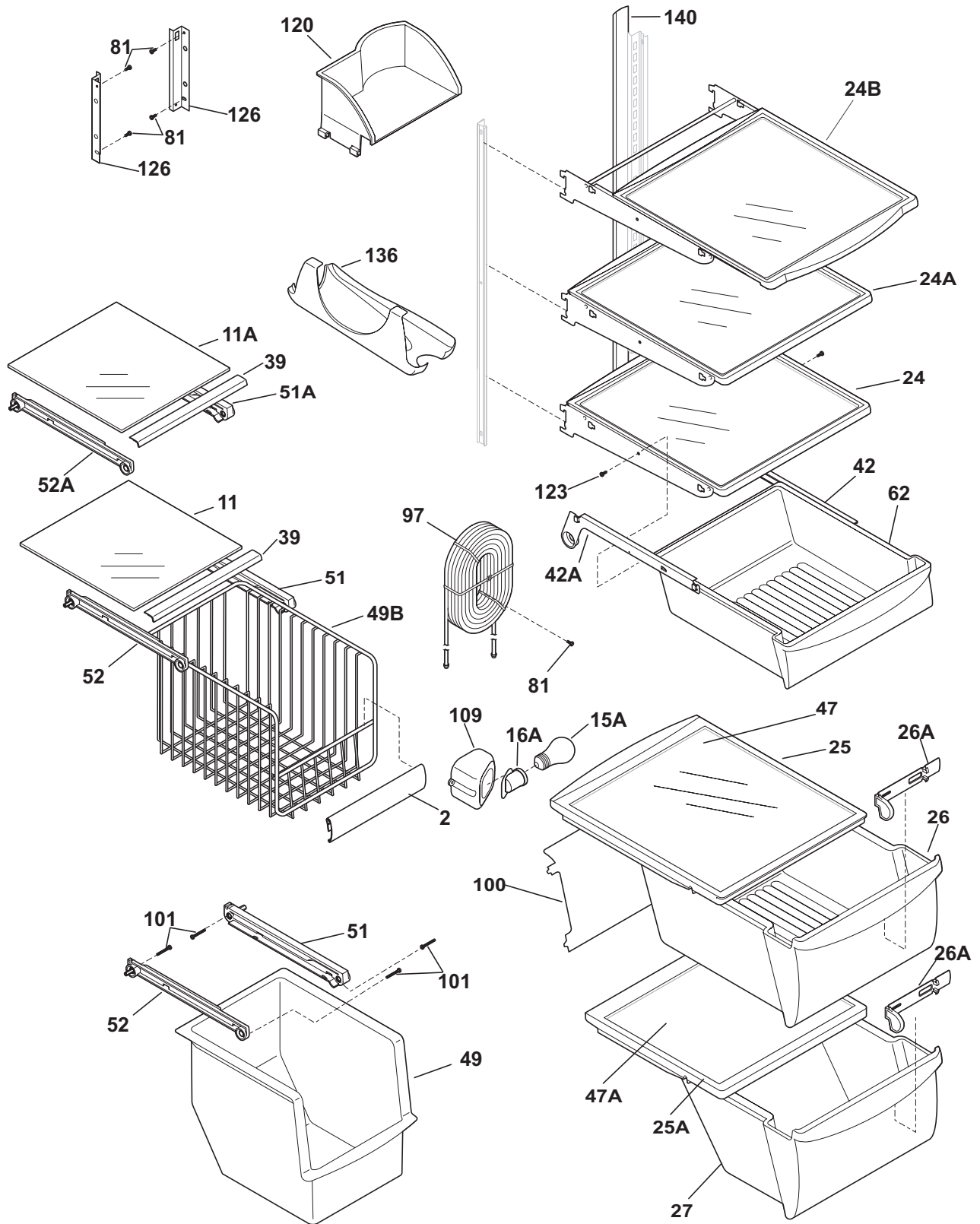
CABINET



CABINET

POS. NO	PART NO.	DESCRIPTION
10	240435911	Cover-air duct
10A	240475910	Cover-evap coil, lower
11	5303208309	Plug-hole, factory test
14 #	240505801	Switch, light/lamp
14A	241547901	Switch-light/lamp, frzr door
21C	218252201	Screw, #8 truss hd, 10-32CA x 0.500
22	240457702	Plate-door closer
23	240402702	Screw-#10-32 x 1/4 flat hd
28	241708801	Bolt-roller adj, hex washer head, 1/4-20 x 4.020, (2), special
30	241603703	Bracket-lower hinge, ref
30A	241603704	Bracket-lower hinge
37	240337610	Trim-cabinet corner, black, (2)
38	240327207	Bracket-upper hinge
40	241816004	Cover-upper hinge, eyebrow, silver metallic
41	241550801	Grommet-shelf mtg, 1.40" long
41*	241550701	Grommet-shelf mtg, .96" long
42	240578902	Screw-hinge mtg, hex head, 1/4-20 x 5/8
43	241709301	Roller Assy, adjustable, front, (2)
45	241500303	Screw, hex washer head, 8-18AB x 0.500
47	240349402	Channel-shelf mtg, side, (2)
58	218781101	Screw, pan head, 8-18 x 0.625
66	5304424968	Damper Cover Assy
66*	240518802	Pin-push, push-in, plastic
72	240324415	Grille/Kickplate, silver mist
81	5304455650	Screw, hex washer head, 8-15A x 0.625, low profile
82	5304418225	Roller, compressor base, rear, (2)
83	5304455655	Rivet, flat head, 1/4 OD x 1-3/4, roller pin
89	241733901	Cover-access, w/label
90	218249807	Seal-coil cover
91	240380101	Duct-ice maker
92	241710601	Screw, hex washer hd, 1/4 x 7/8, hinge mtg
100	240423701	Support, crisper cover, front, (4)
100*	240350802	Support, crisper cover, rear, (4)
*	240396801	Clamp, tube/wiring, nylon, black/natural
*	240479601	Plug, button, cab liner holes
*	5303321321	Paint, touch-up, black

SHELVES

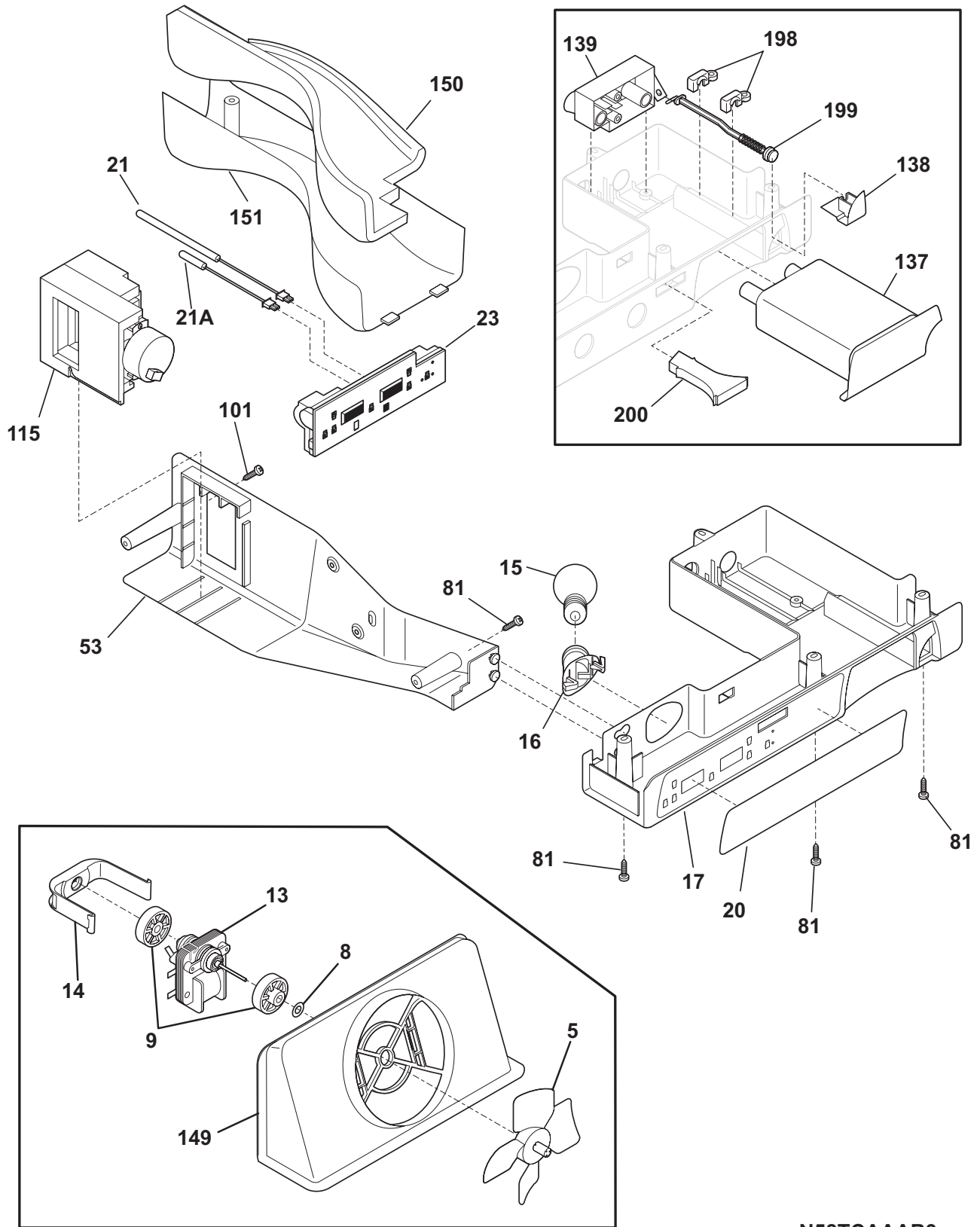


N58SKDEBD11

SHELVES

POS. NO	PART NO.	DESCRIPTION
2	241510603	Trim-basket
11	240350648	Shelf-freezer, glass, lower
11A	240350647	Shelf-freezer, glass, upper
15A	241555401	Light Bulb
16A	241513901	Socket-light
16A*	241537603	Harness-wiring
24	240355201	Shelf-"Spill-Safe", fixed, (1)
24A	240355204	Shelf-"Spill-Safe", fixed, (3)
24B	240350103	Shelf-"Spill-Safe", sliding, (2)
25	240354502	Cover-crisper pan, upper
25*	240362101	Clip-slide, cover-crisper
25A	240354602	Cover-crisper pan, lower
26	240354705	Pan-crisper, upper
26*	240349801	Clip-slide, pan-crisper
26A	240351101	Control-humidity
27	240354805	Pan-crisper, lower
39	240367601	Trim-shelf, front
42	240356501	Track, meat pan hanger, RH
42A	240349701	Hanger-meat pan, LH
42A*	240349901	Block-meat pan rail, LH
42A*	240350001	Spring-meat pan rail
47	240350613	Insert-pan cover, glass
47A	240350614	Insert-pan cover, glass
49	240564301	Basket-sliding
49B	240530503	Basket-sliding, upper, full
51	240343002	Hanger-basket, RH
51A	240395502	Hanger-basket, RH
52	240343102	Hanger-basket, LH
52A	240395602	Hanger-basket, LH
62	240355505	Pan-meat
81	5304455650	Screw, hex washer head, 8-15A x 0.625, low profile
97	240545307	Water Tank
100	240326303	Cover-water tank
101	218493101	Screw, hex washer head, 8-18AB x 1-3/4
109	240351301	Base-crisper light socket
120	240342901	Shelf-ice cream
123	215005101	Screw, hanger/rlr mtg, 8-10 x 7/16
126	241674401	Channel, auger mtg, LH
126	241674402	Channel, auger mtg, RH
136	241657701	Dispenser-can, white
140	240430501	Channel, wtr tube cover
*	241768152	Energy Guide

CONTROLS



N58TCAAAB3

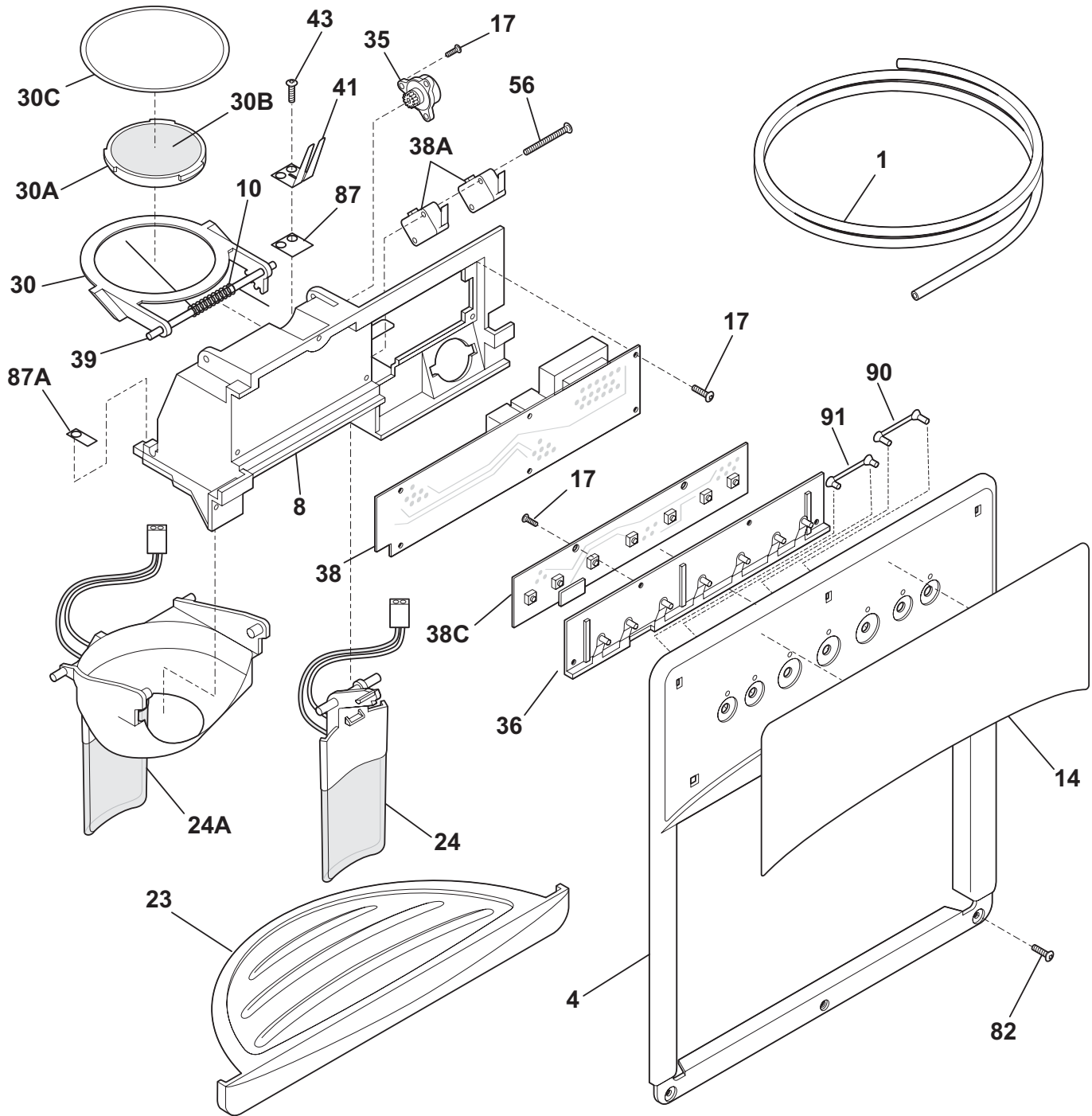
CONTROLS

POS. NO	PART NO.	DESCRIPTION
5 #	5308000010	Fan Blade, red, evaporator fan
8	215474201	Washer, "slinger", nylon, evap fan shaft
9	241563601	Bushing-motor mtg, (2)
13 #	240369702	Motor-evap fan
14	241517701	Clip, evap fan motor
15	241555401	Light Bulb
16	241513901	Socket-light
17	241633401	Box-control, front
17*#	241737801	Harness-wiring, control box
20	241603912	Label-control box
21	241608401	Thermistor-refr
21A	241608501	Thermistor-frzr
23 #	241739701	Control, electronic, w/seal
23*	5304455649	Screw-timer mtg, pan hd, 6-20 x 0.438, (2)
53	241608901	Box-control
81	5304455650	Screw, hex washer head, 8-15A x 0.625, low profile
101	241637202	Screw, #8AB x 1 3/4"
115	241600905	Damper Assy, w/seal
137	240396401	Filter, water, carbon cassette, front, with o'rings
137*	240396701	Bypass, water filter, Optional Part
138	240397301	Button-filter release
139	240396002	Base-water filter
139*	240526901	O-ring, wtr filter base
149	241563401	Shroud-fan orifice
149*	241528305	Seal, shroud
150	241505101	Insulation-water tube cover
151	241505001	Cover-water tube
198	240397401	Retainer
199	240397501	Rod
199*	240398401	Spring-filter release rod
200	240397601	Light Pipe
*	3205266	Edge Protector, wiring harness

SYSTEM

POS. NO	PART NO.	DESCRIPTION
1	240333602	Condenser
3	218679606	Block-evap coil, styrofoam, (2)
4 #	218944001	Drier-filter, R134a System
6 #	241586801	Harness-wiring, machine compt
6* #	241651601	Harness-wiring
6* #	241737801	Harness-wiring, control box
14 #	240316107	Heater-defrost
15 #	5303918286	Evaporator Kit
16	5308000110	Strap-evap/heater, aluminum, (2)
21	5303918214	Thermostat-defrost, kit
22	240330010	Base-compressor
22*	218252201	Screw, #8 truss hd, 10-32CA x 0.500
23	241659701	Grommet, compressor
25	240491503	Screw-compressor mtg, 1/4-28 x 1.16, (4)
26	241697601	Pan-defrost
29 #	5303918315	Compressor, w/electricals
30 #	241524605	Starter
32	218973501	Clamp, elec cont mtg, compressor
34	240405201	Grommet, rubber, black, cond tube/wire
41	240555002	Screw-#8-32 X 3/8
44	215174700	Clamp-service cord, strain relief, galv steel
45	5304455650	Screw, hex washer head, 8-15A x 0.625, low profile
55	218909913	Capacitor, run, 220 VAC, 15 microfarad
57	240542601	Clip-wiring harness
58	218897004	Screw, hex washer head, 8-32 x 0.375
59	5304430246	Bracket-cond motor assy
59*	240346701	Tape-foam seal, shroud
59*	240359403	Screw-fan shroud, (2)
60	240525402	Motor, condensor fan
61 #	240524101	Fan Blade, galv steel, condenser fan
62	240429401	Trough-drain
70	218990801	Bracket-evap/cvr mtg
82	5304418225	Roller, compressor base, rear, (2)
83	5304455655	Rivet, flat head, 1/4 OD x 1-3/4, roller pin
84	5304421068	Tube-drain, lower
85	240346201	Tube-connector, suction
* #	5303918328	Heat Exchanger Kit, suction line, service
*	5303918222	Hot Tube Repair Kit, service

ICE & WATER DISPENSER

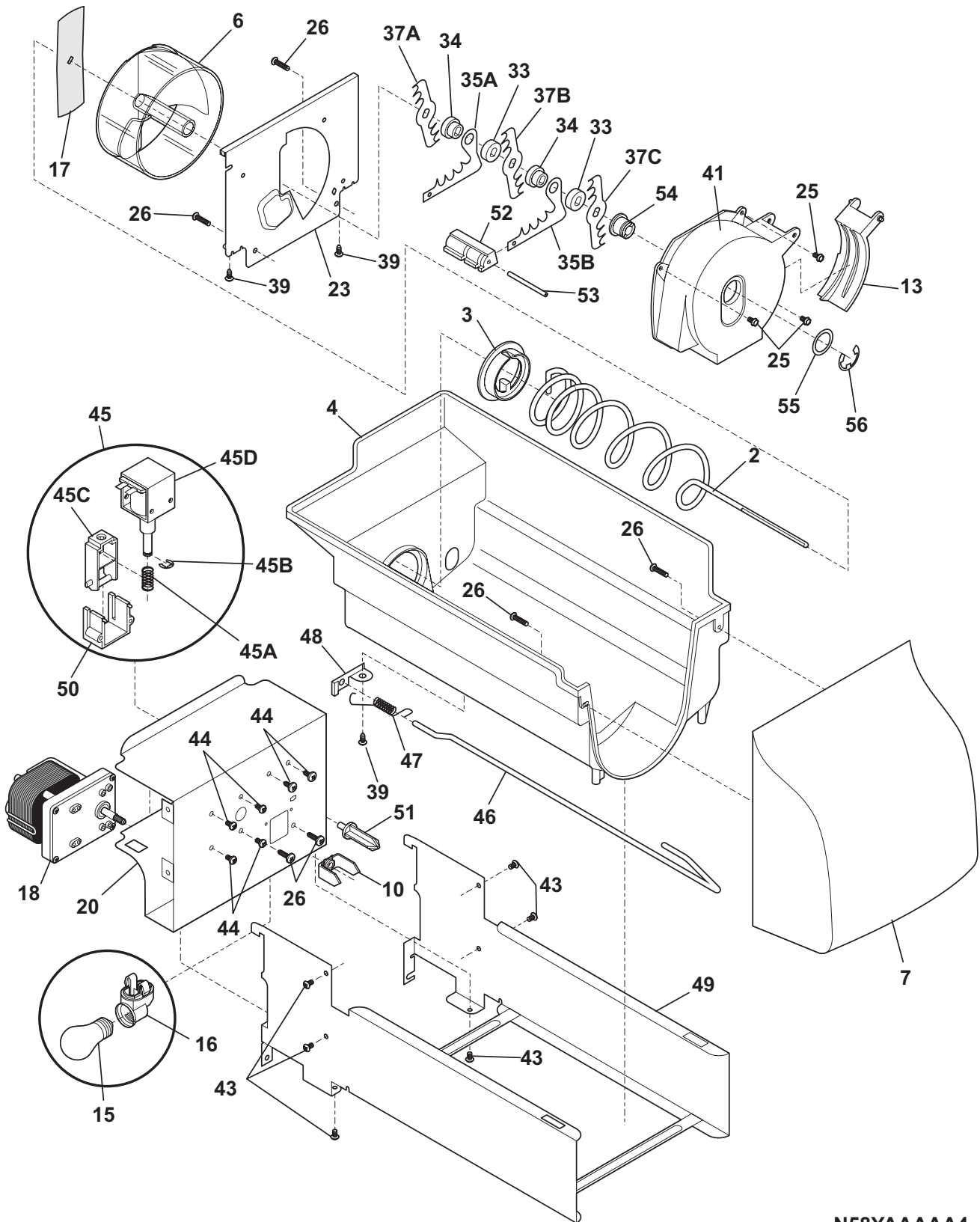


N58XEAAA1

ICE & WATER DISPENSER

POS. NO	PART NO.	DESCRIPTION
1	218976409	Tube, water, door
1*	218976915	Tube-water inlet, inlet valve, to filter
1*	218976418	Tube-water inlet, inlet valve, to filter
1*	218976419	Tube-water inlet, valve to door
1*	240561701	Seal-water inlet, inlet valve, to ice maker
4	241678710	Cover-module, silver metallic
8	241680504	Module-dispenser
10	241688901	Spring-torsion
14	241611216	Label-module cover, silver metallic
17	241679801	Screw
23	241649005	Drip Tray, silver metallic
24	241685704	Actuator, stainless
24A	241682304	Actuator-ice, stainless
30	241688401	Door Assy-ice chute
30A	241688501	Door center
30B	241688601	Insulation-door
30C	241688701	Door seal
35	241689301	Damper-rotary
36	241680301	Carrier
38	241527601	Board-power
38A#	241689101	Switch-micro, single pole, double throw
38C#	241708309	Board-control
38C*	241680001	Harness-ribbon cable
39	241688801	Pin-hinge
41	241689001	Spring-actuator
43	215296301	Screw, plask h/l, #6 x 3/8
56	241689201	Screw-micro switch, pan head
82	240363402	Screw-#8-18 X 1/2, #6 hd plask
87	241688302	Bearing Plate
87A	241688301	Bearing Plate
90	241680201	Light Pipe, reflector, long
91	241680101	Light Pipe, reflector, short
*	218515403	Clip-grille
*	241686201	Insulator-electrical
*	5303918256	Dispenser heater kit

ICE CONTAINER

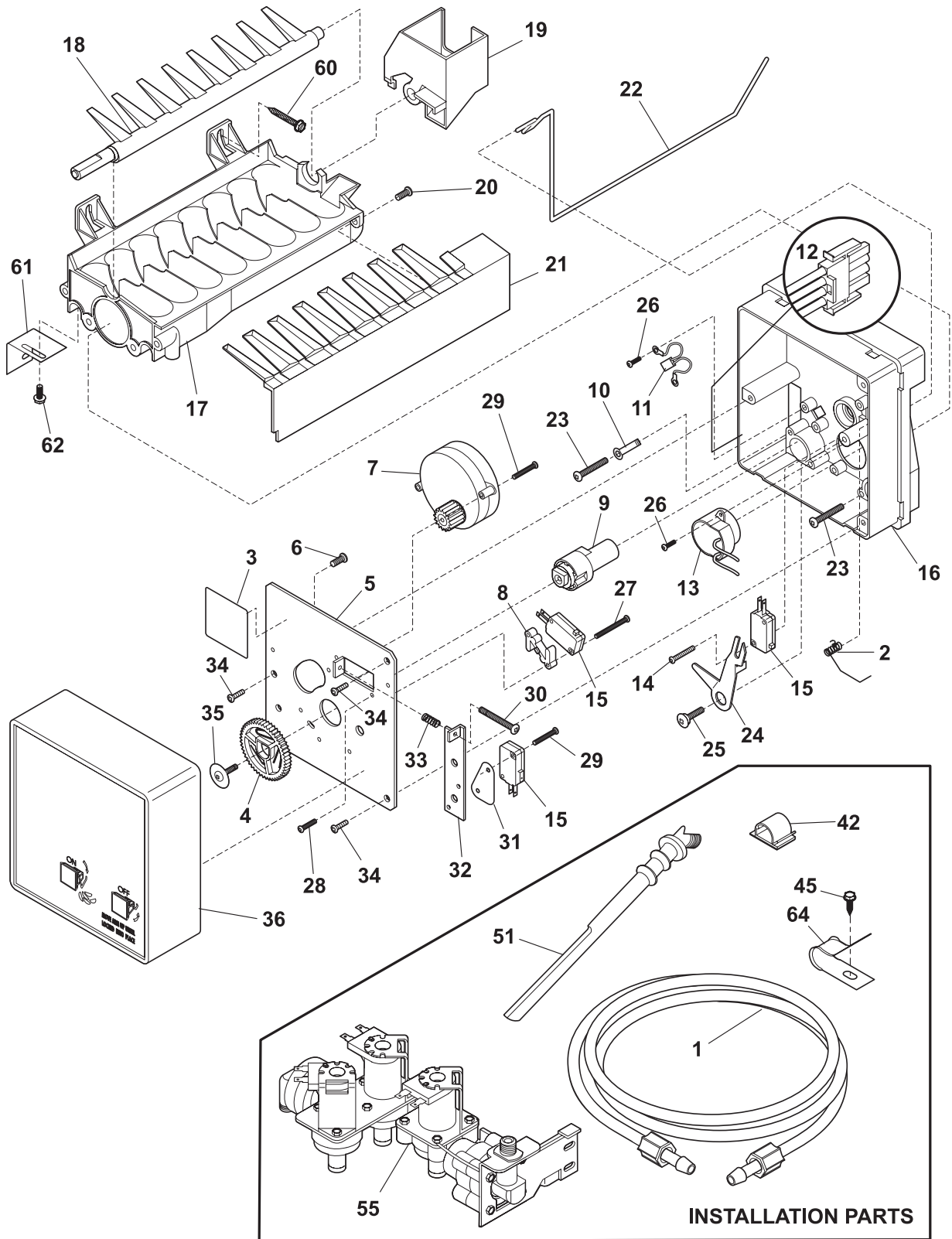


N58YAAAAA4

ICE CONTAINER

POS. NO	PART NO.	DESCRIPTION
2	241716101	Auger-ice
3	241685201	Cam-drive
4	241734001	Container-ice, bucket only
6	241685101	Drum-ice disp
7	241735301	Front-ice container
10	241624801	Bar-drive
13	241685301	Gate
15	241555401	Light Bulb
16 #	241559801	Socket-light
17	241684501	Drive Blade
18 #	241676202	Motor-auger, 115V
18*	240352601	Wiring Harness, internal, with plug
20	241734802	Cover-motor
23	241684001	Plate-front
25	241690701	Screw, hex washer head, 8-32T x 0.375
26	215503205	Screw, cr pan hd, 10-16 x 0.500
33	241684801	Spacer
34	241689801	Spacer
35A	241684301	Fixed Blade, round
35B	241684201	Fixed Blade, square
37A	241684101	Blade, crusher #1
37B	241684102	Blade, crusher #2
37C	241684103	Blade, crusher #3
39	241690501	Screw
41	241685601	Housing-crusher
43	215005101	Screw, hanger/rtr mtg, 8-10 x 7/16
44	218359202	Screw, pan head, 8-32 x 0.250
45	241675701	Solenoid Assy, 115V
45A	241675901	Spring-solenoid
45B	241676001	E-Ring-solenoid
45C	241676101	Actuator-solenoid
45D	241675801	Solenoid, 115V
46	241716002	Control Rod
47	241731801	Spring-control rod
48	241684602	Bracket-control rod
49	241734401	Rail Assy
50	241675601	Guide-solenoid
51	241676301	Rotation Stop
52	241684901	Spacer-fixed blades
53	241690402	Pin-spiral, fixed blades
54	241685001	Nut-auger
55	241690306	Washer
56	241690201	E-ring
*	240323811	Ice Container Assy, w/moving parts

ICE MAKER

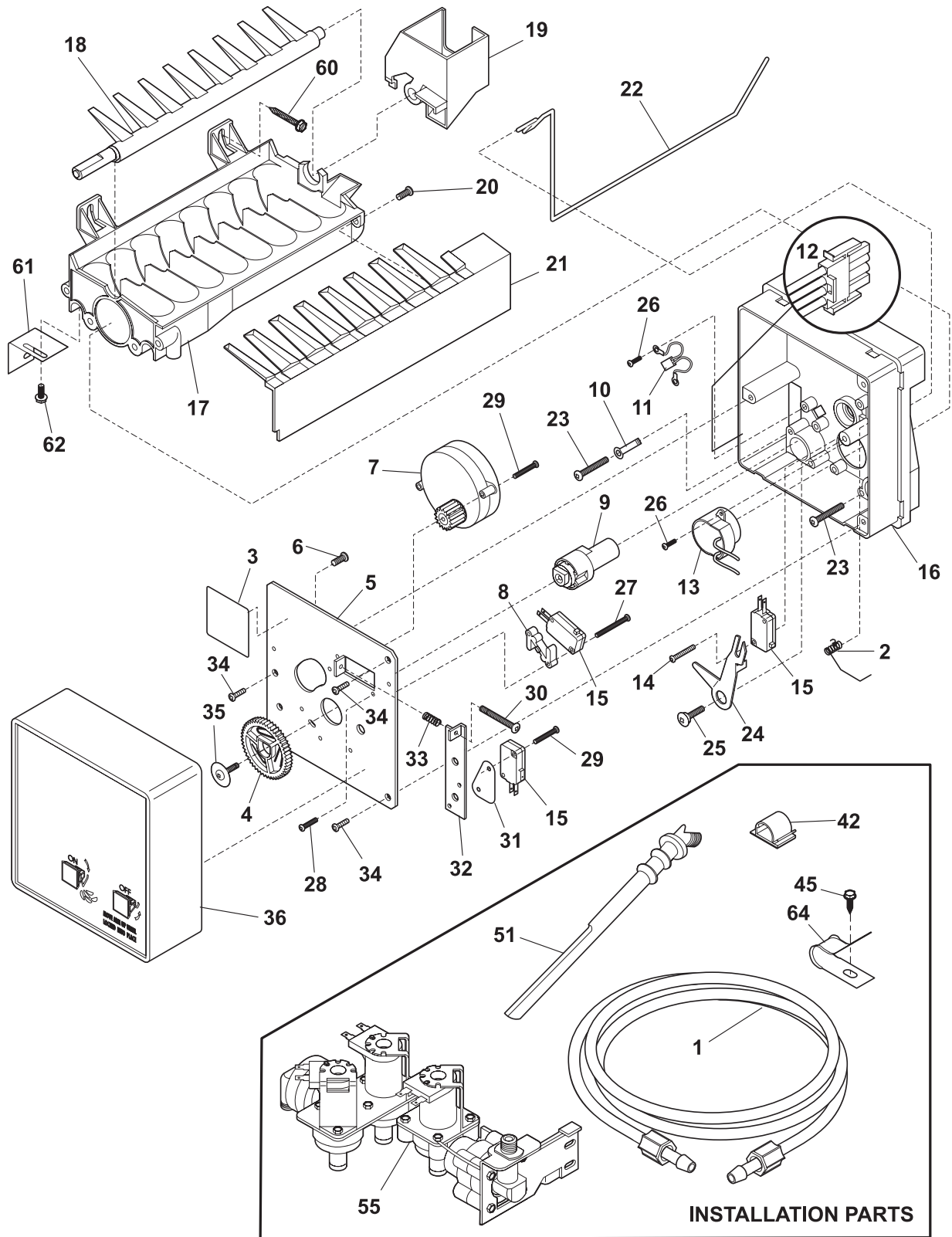


N581151

ICE MAKER

POS. NO	PART NO.	DESCRIPTION
1	218976409	Tube, water, door
1*	218976418	Tube-water inlet, inlet valve, to filter
1*	218976419	Tube-water inlet, valve to door
1*	218976915	Tube-water inlet, inlet valve, to filter
1*	240561701	Seal-water inlet, inlet valve, to ice maker
2	5304456650	Spring-shutoff arm, ICE MAKER
3	5304456657	Nameplate
4	5304456658	Gear
5	5304456659	Plate-mounting
6	5304456691	Screw, M 3x20 #3, valve plate
7 #	5304445222	Motor-ice maker Svo
7*	5304445223	Spring Beam
8	5304456661	Spacer-hold switch
9	5304456662	Cam
10	5304456689	Retainer
11 #	5304456663	Thermal Cutoff, ICE MAKER
12	5304456664	Harness-wiring
13	5304456665	Thermostat, ICE MAKER
14	5304456676	Screw, plask, 4x14x3/4
15 #	5304456667	Switch-micro, (3)
16	5304456668	Support
17	5304456669	Mold-ice maker, w/therm cut off
18	5304456670	Ejector-ice
18*	240352601	Wiring Harness, internal, with plug
19	5304456671	Bearing & Inlet, fill cup
20	5304456677	Screw, 8-32 x 3/8
21	5304456672	Ice Stripper
22	5304456673	Shut-off Arm
23	5304456674	Screw, M 4x25 #2, mold-to-support, (2)
24	5304456675	Lever Arm
25	5304456676	Screw, M 4x12.8 #2, lever arm/sprt
26	5304456680	Screw, plask, 4-14 x 3/8
27	5304456677	Screw, M 3x25 #3, hold switch mtg, (2)
28	5304456660	Screw, M 4x6 #2
29	5304456678	Screw, M 3x12 #3, (2)
30	5304456679	Screw-timing adj, M 4x25 #3
31	5304456680	Insulator
32	5304456681	Plate-valve switch
33	5304456682	Spring, shut-off arm
34	5304456683	Screw, M 4x12 #2, (3)
35	5304456684	Screw
36	5304456685	Cover-ice maker
36*	5304456690	Label, on/off
42	218515403	Clip-grille
45	5304456650	Screw, hex washer head, 8-15A x 0.625, low profile
51	241796401	Tube-water fill, extension
55 #	241734301	Valve-water, triple solenoid
55*	218709101	Screw, hex head, 10-32 x 0.500
55*	240363602	Screw-shoulder
55*	240542901	Cap-water valve
60	5303207328	Screw, hex washer head, 8-15A x 1.000, (2)

ICE MAKER



N581151

ICE MAKER

POS. NO	PART NO.	DESCRIPTION
61	5304456686	Bracket-leveling, ICE MAKER
62	5304456687	Screw-IM brkt mtg, special, 8-32D x 0.375
64	5303001549	Clamp, 0.31 ID, steel, copper wtr line
*	241806601	Connector-water, straight
*	5304456666	Screw, M 3x20 #2, (6)
*	5304456688	Terminal
*	5304456692	Washer
*	5304456693	Nut, M 3.5
*	5304456737	Washer
*	241642501	Ice Maker, radius cube, 115 V, Svce

WIRING SCHEMATIC

