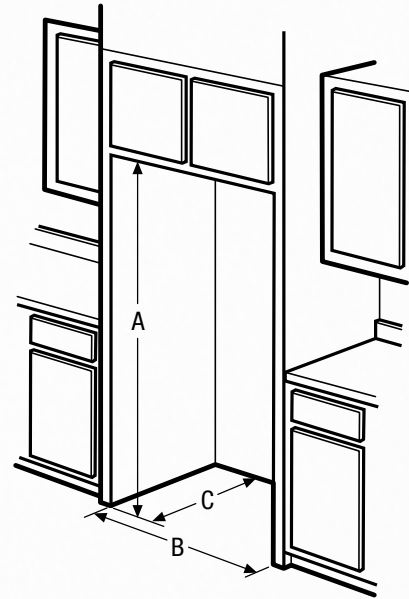
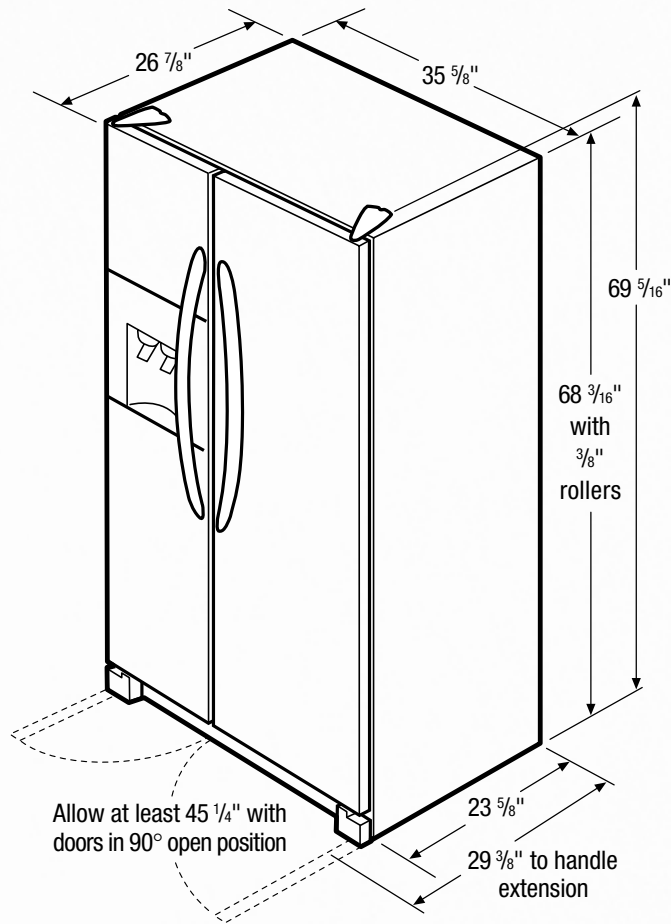


COUNTER-DEPTH REFRIGERATOR INSTALLATION

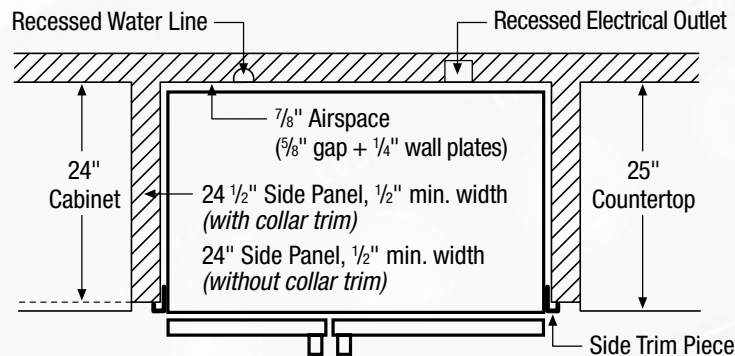
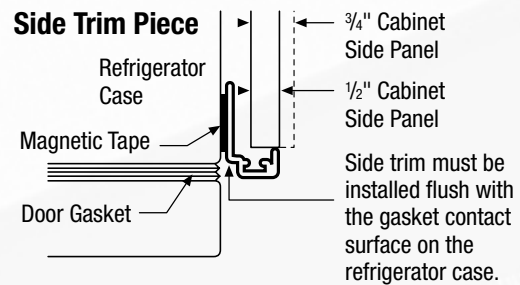
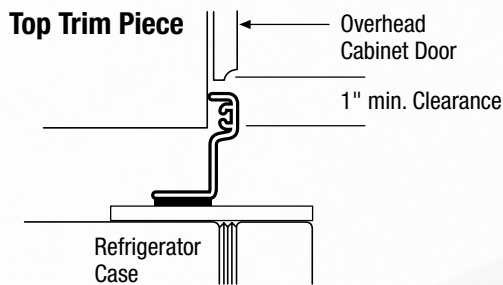
The dimension and cutout information is for planning purposes only. Consult installation instructions packed with individual products for complete details.



Rough-In Dimensions

Standard	With Collar Trim Kit
(A) $70 \frac{1}{4}$ "	(A) $70 \frac{1}{4}$ "
(B) 36"	(B) $36 \frac{1}{8}$ "
(C) 24"	(C) $24 \frac{1}{2}$ "

COLLAR TRIM KIT INSTALLATION



DOOR PANEL KIT INSTALLATION

Consult installation instructions packed with individual products for complete details.

The following instructions outline the procedure to install Decorator Door Panel Kits or custom panels on your Frigidaire® Counter-Depth Refrigerator Trim Kit models.

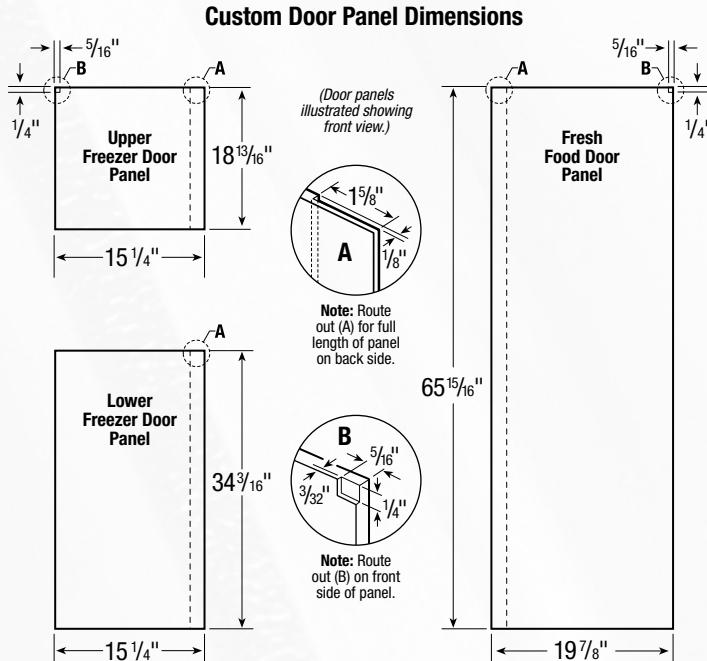
Decorator Door Panel Kits Available:

White (PK23CDW), Black (PK23CDB) or Stainless Steel (PK23CDS).

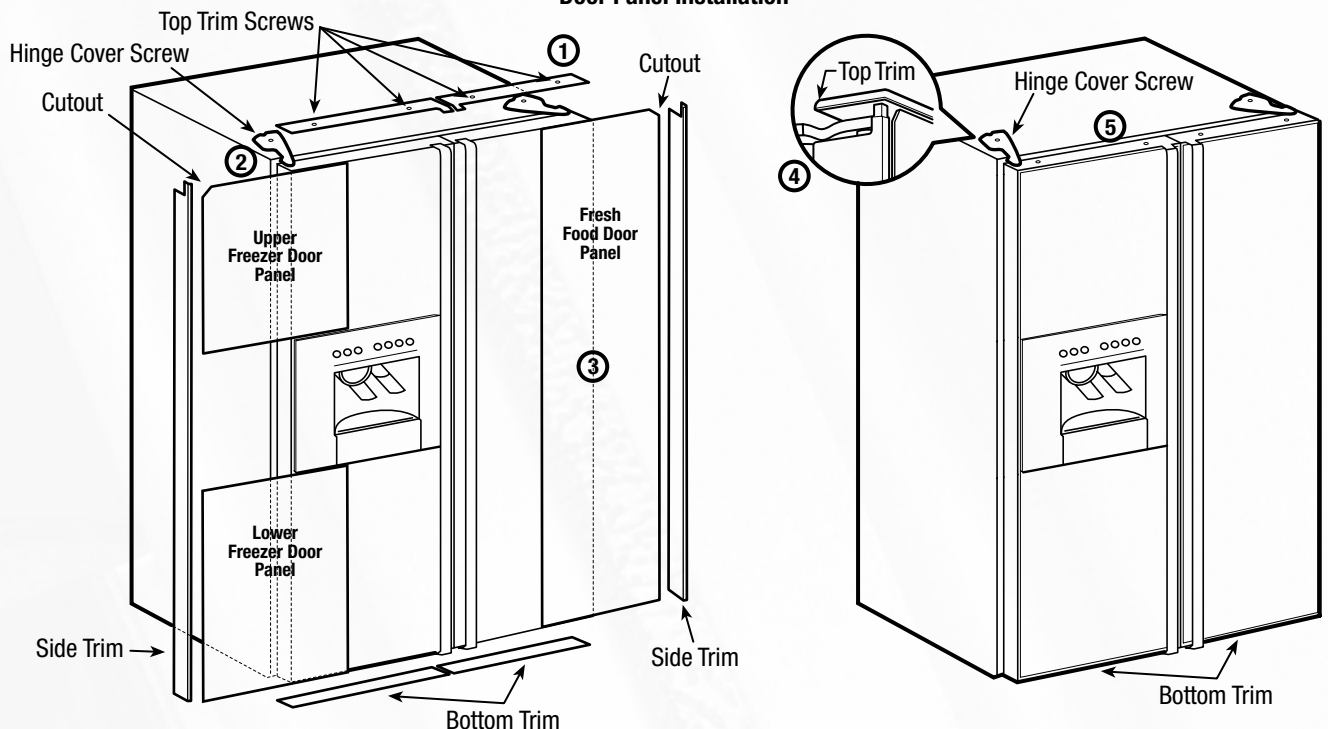
For Custom Door Panels:

Order your own custom door panels to match cabinetry or other décor. Panels up to 1/4" thick will fit door frames with no special preparation. Local shop-built or custom cabinet supplier may fabricate custom 1/4" panels. Refer to drawings below for exact panel dimensions and specifications. Edges must be routed to 1/4".

Note: When installing custom panels less than 1/4", insert spacer panel behind door panel for proper fit (spacer panel supplied with Decorator Door Panel Kit). Combined thickness of panels must total 1/4".



Door Panel Installation



INSTALLATION INSTRUCTIONS

Read each step thoroughly before proceeding.

Tools: #2 Philips Screwdriver

Procedure:

Step 1 – Loosen top trim on freezer and fresh food doors.

Step 2 – Remove side trim.
Swing bottom of side trim outward away from door to break magnetic attachment. Lower side trim to pull free of top trim.

Step 3 – Insert panels.

Remove protective film from panels before insertion.

Upper Freezer Panel and Fresh Food Panel – Cutout notch in panel is positioned to upper outside of door. Lift top trim up 1/4" and carefully push upper freezer panel in until it slides into slot behind door handle.

Lower Freezer Panel – Carefully push panel in until it slides into slot behind door handle.

Step 4 – Install side trim.

Slip upper front corner of side trim under top trim and swing into position. Make sure trim seats behind panel and in front of Ice & Water dispenser. Magnetic attraction will hold trim in place.

Step 5 – Tighten screws on top trim.