



Freezer

FFFU14F2QW

Frost-Free
14 Cu. Ft. Upright



Product Dimensions

Height (Including Hinges)	62-1/8"
Width	29-5/8"
Depth (Including Door)	30-1/2"

More Easy-To-Use Features

Adjustable Temperature Control
Select the correct temperature for your needs.

Available in:



White
(W)

¹Compared to Incandescent, 25W and 40W bulbs.

Signature Features

Bright LED Lighting

Brighter LED theatre lighting so you can spend less time digging through your freezer for items.¹

Frost-Free Operation

Never defrost your freezer again so you can spend time on more important things.

Lock with Pop-Out Key

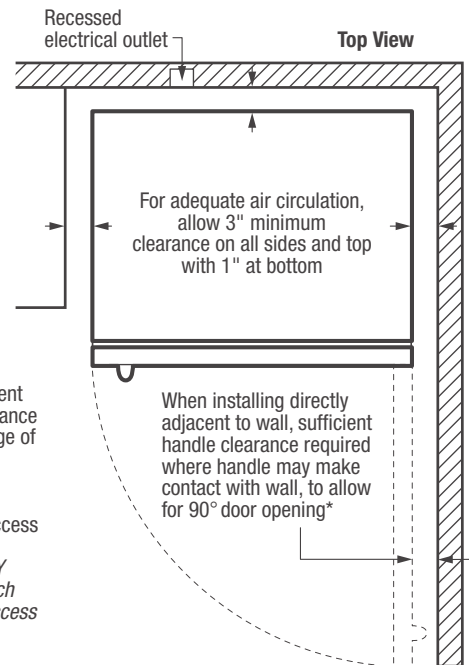
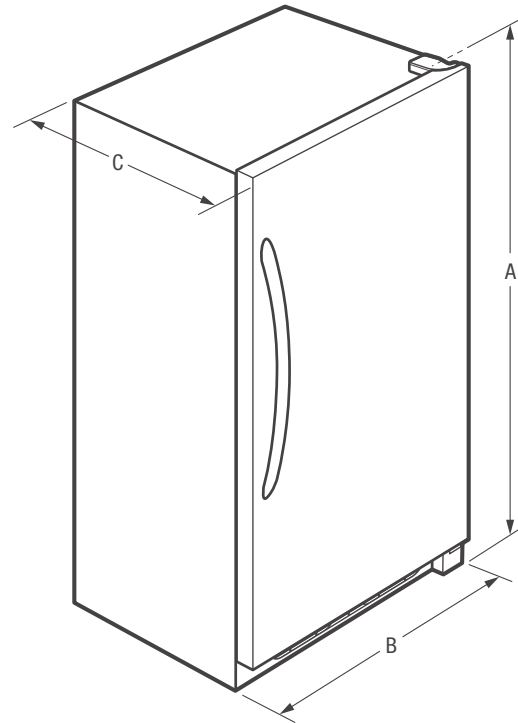
The freezer key automatically ejects after locking the door so you won't leave it in the door.

Power-On Indicator Light

Know at a glance that your freezer is working.

Features	
Door Handle Design	Reach-Through
Reversible Door	
Automatic Door Closer	Yes
Leveling Legs	Yes
Lock with Pop-Out Key	Yes
Defrost	Frost-Free
Adjustable Temperature Control	Mechanical Dial
Front Digital Display	
Temp Display Mode	1-7
High-Temp Duration Readout	
High-Temp Alarm	
Door Ajar Alarm	
Airflow Ports	1
Interior Lighting	LED
Full-Width Adjustable Shelves	3 Wire
Full-Width Fixed Shelves	
Removable Trivet	1
Mid-Level Baskets	
Lower Storage Basket	
Basket Dividers	
Retractable Pizza Shelf	
Full-Width Door Bins	
Fixed Door Racks	5
Defrost Drain	
Power-On Light	Yes
Certifications	
CSA Rating	Household
Specifications	
Total Capacity (Cu. Ft.)	13.83
Shelf Area (Sq. Ft.)	7.9
Annual Energy (kWH)	436
Annual Energy Cost (.12/kWH)	\$52
Power Supply Connection Location	Lower Right Rear
Voltage Rating	115V, 60Hz
Connected Load (kW rating) @ 115 Volts ¹	.60
Amps @ 115 Volts	5
Minimum Circuit Required (Amps)	15
Shipping Weight (Approx.)	164 Lbs.

¹An electrical supply with grounded three-prong receptacle is required. The power supply circuit must be installed in accordance with current local codes & ordinances.



* When installing freezer adjacent to wall, cabinet or other appliance that extends beyond front edge of unit, 20" minimum clearance recommended to allow for optimum 140° door swing, providing complete basket access and removal. (Absolute 3" minimum clearance will ONLY allow for 90° door swing which will provide limited basket access with restricted removal.)

NOTE: For planning purposes only. Always consult local and national electric codes. Refer to Product Installation Guide for detailed installation instructions on the web at frigidaire.ca.



Product Dimensions	
A - Height (Including Hinges)	62-1/8"
B - Width	29-5/8"
C - Depth (Including Door)	30-1/2"
Depth with Door Open 90°	58"

Accessories information available on the web at frigidaire.ca