

# *Frigidaire*

## Factory Parts Catalog

Product No.	FFU1423DW3
Series	134A
Color	white
Volts	115
Wiring Diagram	297010200
Owner's Guide	216960000
Market	North America
Energy Guide	216794907

 **Electrolux**

Electrolux Major Appliances  
North & Latin America  
P.O. BOX 212378  
AUGUSTA, GA 30917

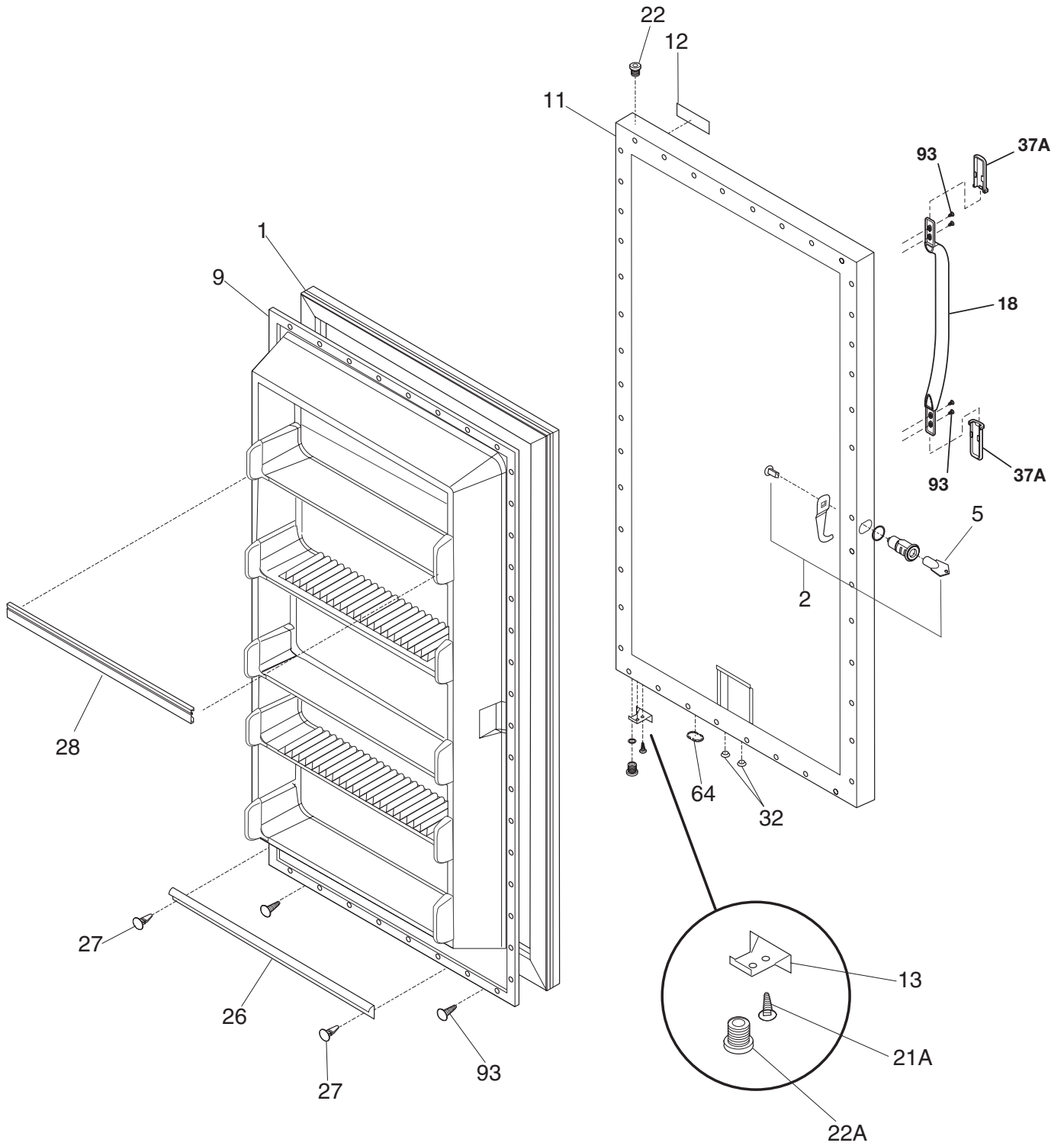
Publication No.  
**5995444022**  
05/08/08  
(EN/SERVICE/MLR)  
365

### UPRIGHT FREEZER

Model No.  
**FFU1423DW**

Copyright © 2005 Electrolux Home Products, Inc.  
All rights reserved.

DOOR



P08D0441

---

**DOOR**


---

POS. NO	PART NO.	DESCRIPTION
1	216522306	Gasket, door seal, white
2	5303925107	Lock Assy
5 #	216702900	Key, lock
9	216527615	Panel-inner door, frzr
11	216557836	Panel-outer door, white
12	216892800	Nameplate
13	08016354	Door Stop
18	218762701	Handle-door, white
21A	08005520	Screw, door stop mtg, 4.0 x 0.7-19.7, flat hd, metric
22	216970800	Bearing, hinge w/o'ring, top
22A	297006800	Bearing-hinge, btm, w/o'ring
26	216524300	Gasket, secondary
27	5303212828	Clip, panel mtg
27*	5304406520	Clip, panel mtg kit, (40)
28	216951601	Rack-door, (5)
32	5309950074	Valve, breather, door base
37A	215870619	Trim-handle, 2.47", white, w/chrome band
37A*	218676001	Band-decorative, chrome, handle trim
64	216403700	Plug-button, hole filler, door base
93	5303161215	Screw, ph truss head, 8-18AB x 0.500



## CABINET

---

POS. NO	PART NO.	DESCRIPTION
3	216502600	Plug, drain, interior
6	216603400	Breaker Kit w/corners, 22.13" long, top or bottom
7	216603800	Breaker Kit w/corners, incl lock catch
9	216604300	Breaker Kit w/corners, 45.13" long, no lock slot
14	216822900	Switch, light/lamp, ramp
15	216846400	Light Bulb/Lamp
16	216817600	Socket, light/lamp, 25 W
18	216707200	Knob, temp control
20	297013800	Cover-control housing
21 #	216788100	Control-temperature
22	216823500	Clamp, cap tube, cold control
24	5300052943	Screw-clamp, truss hd cr, control
26	216503300	Ramp, door closer
28	216247400	Hinge, bottom
29	216313502	Hose-drain
32	5308005500	Drain
34	216816201	Shield-light
35	216273000	Clip, drain hose
38	216939100	Hinge-upper
40	216809000	Cover-hinge
41	216936800	Screw-hinge, 12-24x.700 HWH
59	216605700	Basket
59A	216486500	Stop-basket
62	131420300	Screw, cr truss head, 8-18AB x 0.750
63	216396900	Screw, leveling foot, plastic, adjustable
72	297036800	Grille/Kickplate, 28", white
86	216036600	Screw, ph washer head, 8-32CA x 0.500, thread forming
132	5303283898	Screw, 6-20AB x 3/8
*	297001704	Insulation, 24", drain tube
*	5303305324	Paint, touch-up, white
*	216794907	Energy Guide



---

**SYSTEM**


---

POS. NO	PART NO.	DESCRIPTION
1 #	5300123788	Condenser
*	216502500	Sleeve, suction line
3	216847804	Trim-shelf, white, evaporator, (3)
4 #	216938600	Drier-filter
5 #	216987000	Harness-ext, main
6	297001600	Support-shelf, front LH, (3)
7	297001500	Support-shelf, front RH, (3)
11	216474600	Support-rear shelf
12	216225700	Grommet-spacer
13	216138900	Screw, hex sems, 8-18AB x 1.00, evap
27	5308002681	Grommet, compressor
29 #	216966300	Compressor, w/o electricals
30	216954200	Controller, compressor, 5 speed
32	216954300	Clip, controller
34	5306594529	Sleeve-compressor
35	5303272328	Screw, Ind hex sems, 1/4-28 unfx, compressor
36 #	216940000	Evaporator, tubing assy, white
43A	216629700	Clip
55	216985000	Capacitor, run, 10MF
86	216036600	Screw, ph washer head, 8-32CA x 0.500, thread forming