

Frigidaire

Factory Parts Catalog

Product No.	FFU1464FW0
Series	134A
Color	white
Volts	115
Wiring Diagram	297082200
Owner's Guide	297079200
Market	North America
Energy Guide	216795313

 **Electrolux**

Electrolux Major Appliances
North & Latin America
P.O. BOX 212378
AUGUSTA, GA 30917

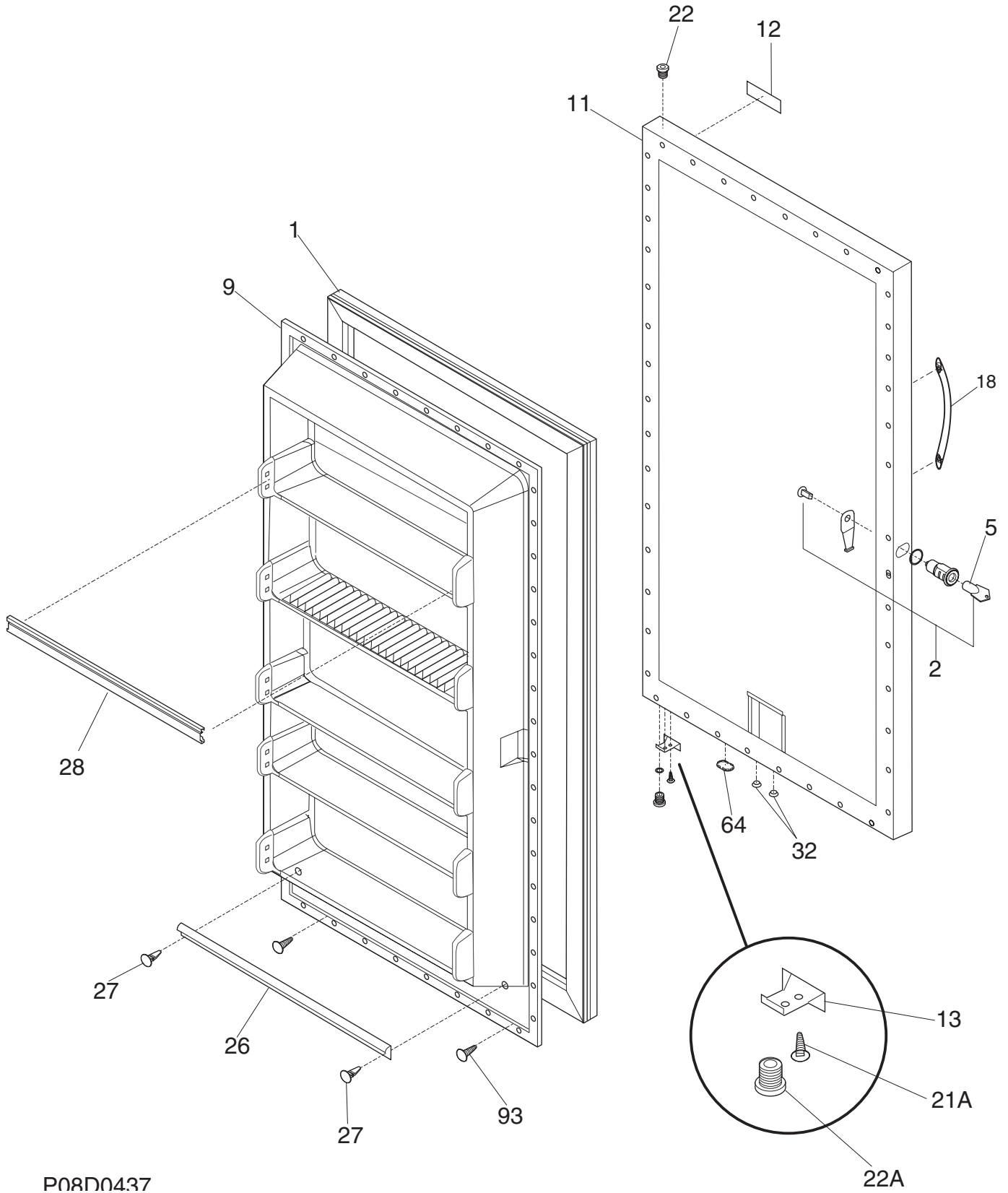
Publication No.
5995468344
06/06/15
(EN/SERVICE/MLR)
365

UPRIGHT FREEZER

Model No.
FFU1464FW

Copyright © 2006 Electrolux Home Products, Inc.
All rights reserved.

DOOR

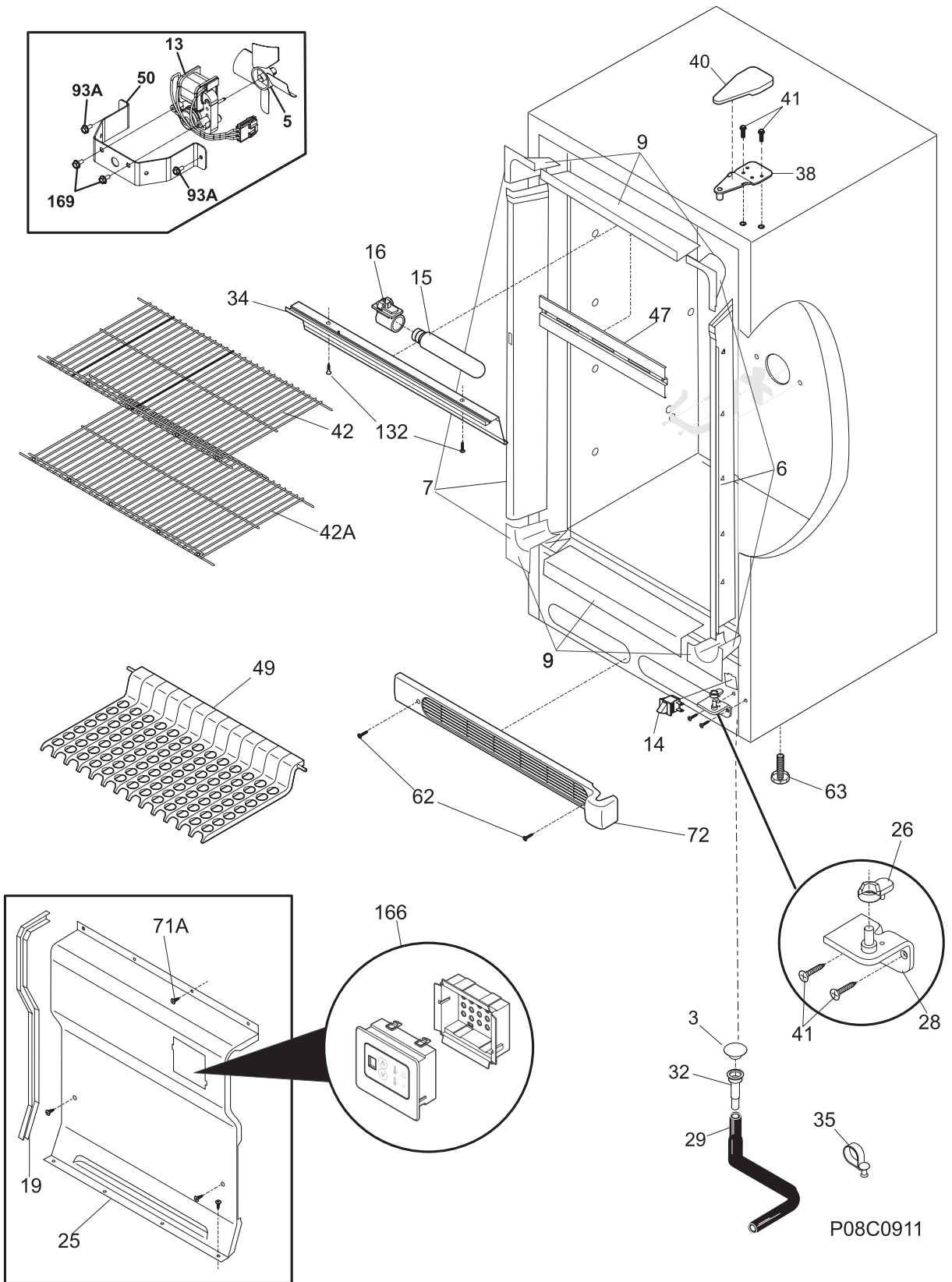


P08D0437

DOOR

POS. NO	PART NO.	DESCRIPTION
1	216522306	Gasket, door seal, white
2	5303925107	Lock Assy
5 #	216702900	Key, lock
9	216527615	Panel-inner door, frzr
11	216557817	Panel-outer door, white
12	216947300	Nameplate
13	08016354	Door Stop
18	216921200	Handle, white
*	216932500	Nut, flange locking, handle
*	297048000	Screw, anchor, #8, white
21A	08005520	Screw, door stop mtg, 4.0 x 0.7-19.7, flat hd, metric
22	216970800	Bearing, hinge w/o'ring, top
22A	297006800	Bearing-hinge, btm, w/o'ring
26	216524300	Gasket, secondary
27	5303212828	Clip, panel mtg
27*	5304406520	Clip, panel mtg kit, (40)
28	216951601	Rack-door, (5)
32	5309950074	Valve, breather
64	216403700	Plug-button, hole filler, door base
93	5303161215	Screw, ph truss head, 8-18AB x 0.500

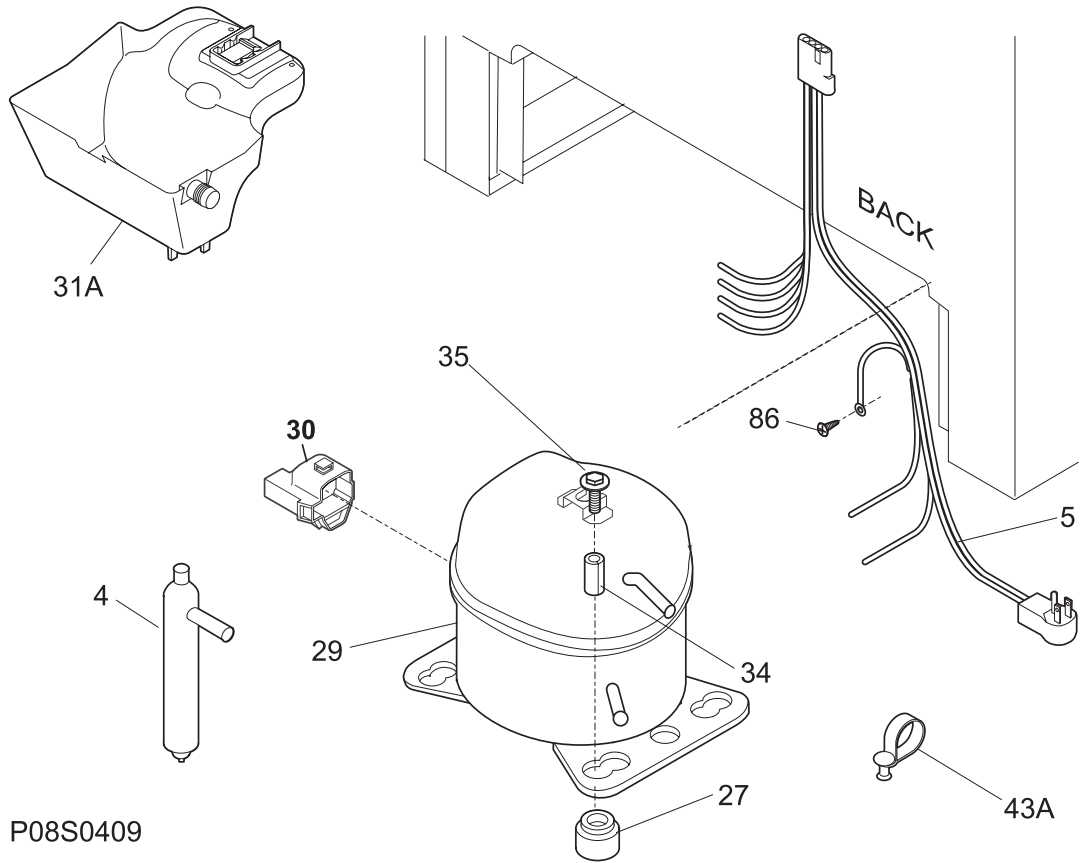
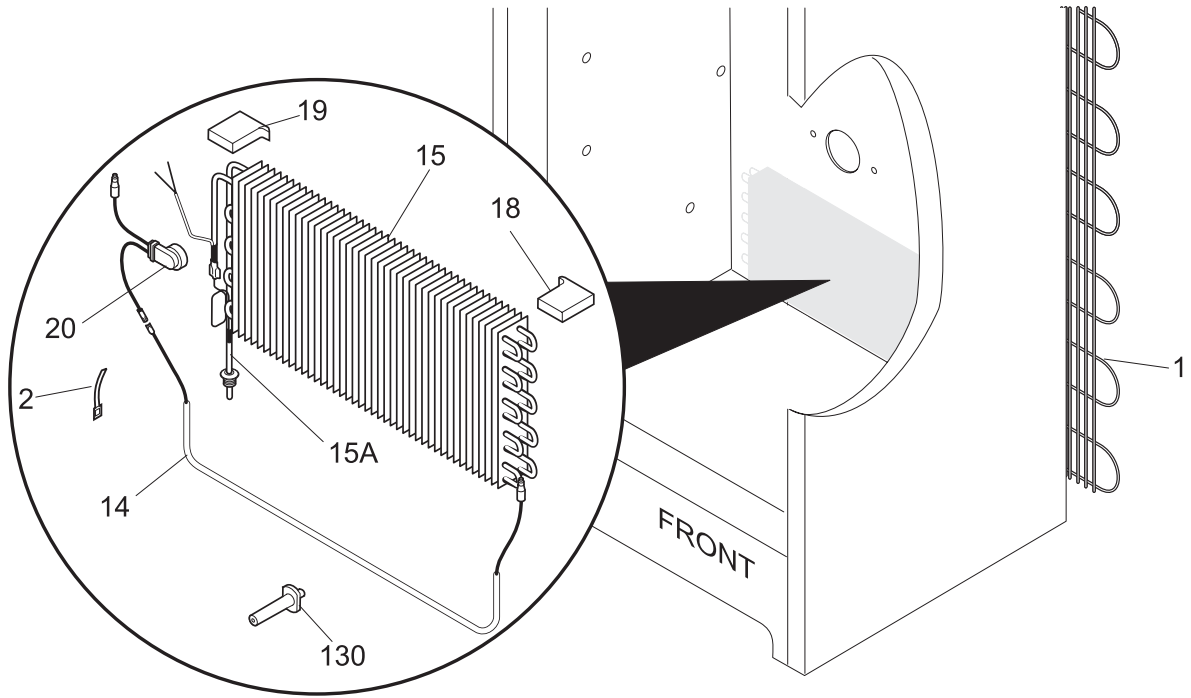
CABINET



CABINET

POS. NO	PART NO.	DESCRIPTION
3	216503100	Screen-drain
5 #	216325600	Fan Blade
6	216604300	Breaker Kit w/corners, 45.13" long, no lock slot
7	216603800	Breaker Kit w/corners, incl lock catch
9	216603400	Breaker Kit w/corners, 22.13" long, top or bottom
13 #	216934100	Motor, fan, 115 V
14	216998000	Switch, light/lamp, ramp
15	216846400	Light Bulb/Lamp
16 #	216817600	Socket, light/lamp, 25 W
19	216204900	Gasket, evap cover
25	216820102	Cover-evaporator
26	216503300	Ramp, door closer
28	216247400	Hinge, bottom
29	216313501	Hose-drain
32	5308005500	Drain
34	216816220	Shield-light
35	216629700	Clip
38	216939100	Hinge-upper
40	216809000	Cover-hinge
41	216936800	Screw-hinge, 12-24x.700 HWH
42	216546100	Shelf, 16.69 X 23.88 WH, 16.69x23.88, white, (2)
42A	216546200	Shelf, 14.50 X 23.88 WH, 14.50x23.88, white
*	216502400	Grommet-shelf mtg
47	216661600	Plate, baffle, snap fit
49	216937600	Trivet
50	216394000	Bracket, fan motor mount
62	131420300	Screw, cr truss head, 8-18AB x 0.750
63	216396900	Screw, leveling foot, plastic, adjustable
71A	5304416289	Screw, ph truss head, 8-18AB x 0.47, EVAP PANEL
72	297036800	Grille/Kickplate, 28", white
93A	216629600	Screw, hex washer head, 10-16 x 0.500, tapping
132	5303283898	Screw, 6-20AB x 3/8
166#	297079800	Electronic control, assy
169	216912400	Screw, hex washer head, #8-32 x .500, bracket fan mtr, (2)
*	216795313	Energy Guide
*	5303305324	Paint, touch-up, white
*	297001704	Insulation, 24", drain tube

SYSTEM



P08S0409

SYSTEM

POS. NO	PART NO.	DESCRIPTION
1 #	5300123788	Condenser
2	5308000110	Strap-evap/heater, aluminum, (2)
4 #	216938600	Drier-filter
5 #	297016300	Harness-main
14	216740000	Heater-defrost
15	216737400	Evaporator
15A	216565700	Heat Exchanger
18	216727600	Insulator-evap, styrofoam
19	216727700	Insulator-evap, styrofoam
20	216872200	Thermostat, defrost
27	5308002681	Grommet, compressor
29 #	297054400	Compressor, assy, w/electricals
30 #	297054500	Relay Combo
31A	216948700	Pan-drain
34	5306594529	Sleeve-compressor
35	5303272328	Screw, Ind hex sems, 1/4-28 unfx, compressor
43A	216629700	Clip
86	216036600	Screw, ph washer head, 8-32CA x 0.500, thread forming
130	216486800	Support, evaporator mtg
*	216502500	Sleeve, suction line
*	297014500	Plug-suction line