

Frigidaire

Factory Parts Catalog

Product No.	FFU1764FW5
Series	134A
Color	white
Volts	115
Wiring Diagram	297082201
Owner's Guide	297079200
Market	North America
Energy Guide	216795410

 **Electrolux**

Electrolux Major Appliances
North & Latin America
P.O. BOX 212378
AUGUSTA, GA 30917

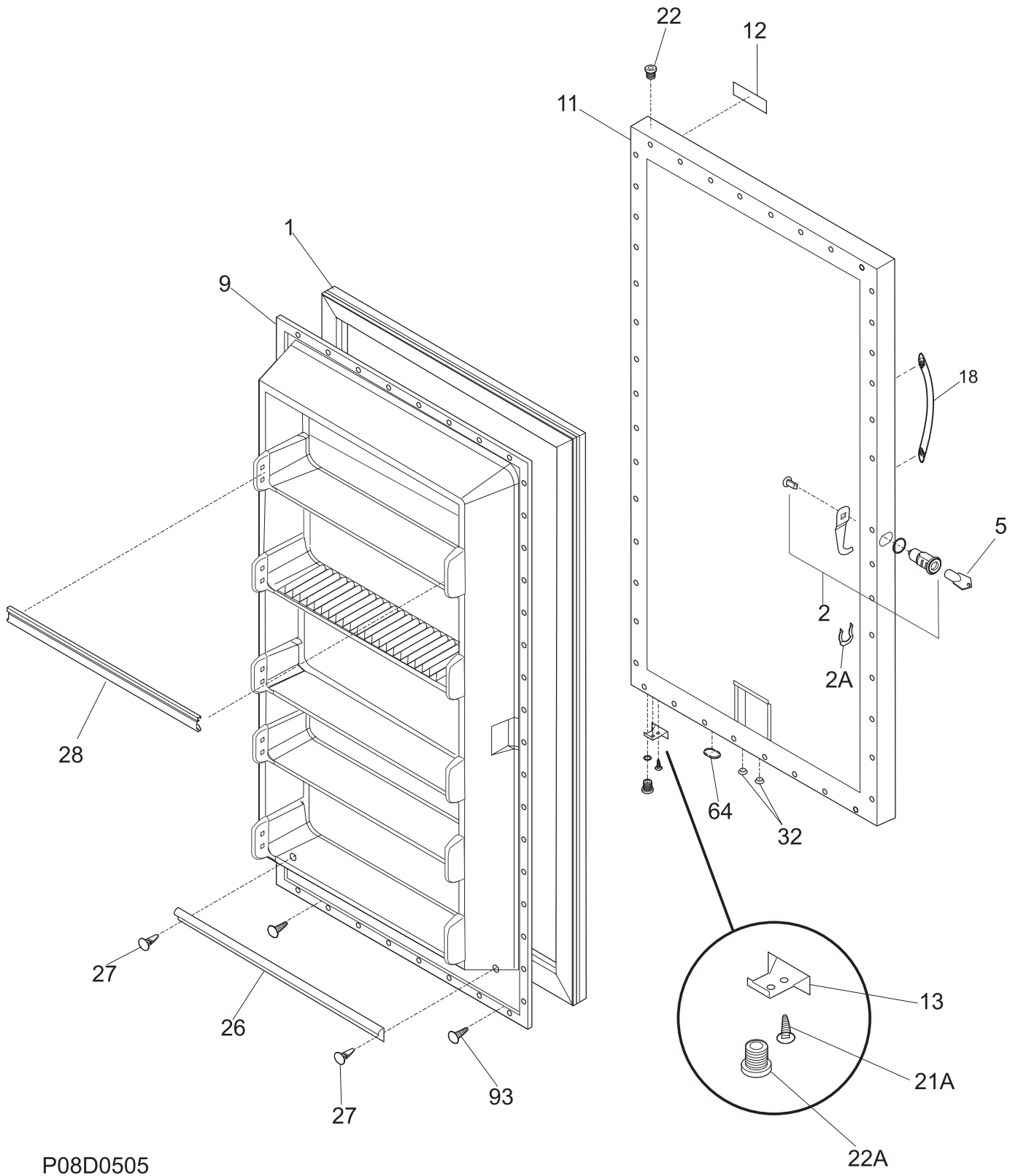
Publication No.
5995493672
07/06/26
(EN/SERVICE/MLR)
365

UPRIGHT FREEZER

Model No.
FFU1764FW

Copyright © 2007 Electrolux Home Products, Inc.
All rights reserved.

DOOR

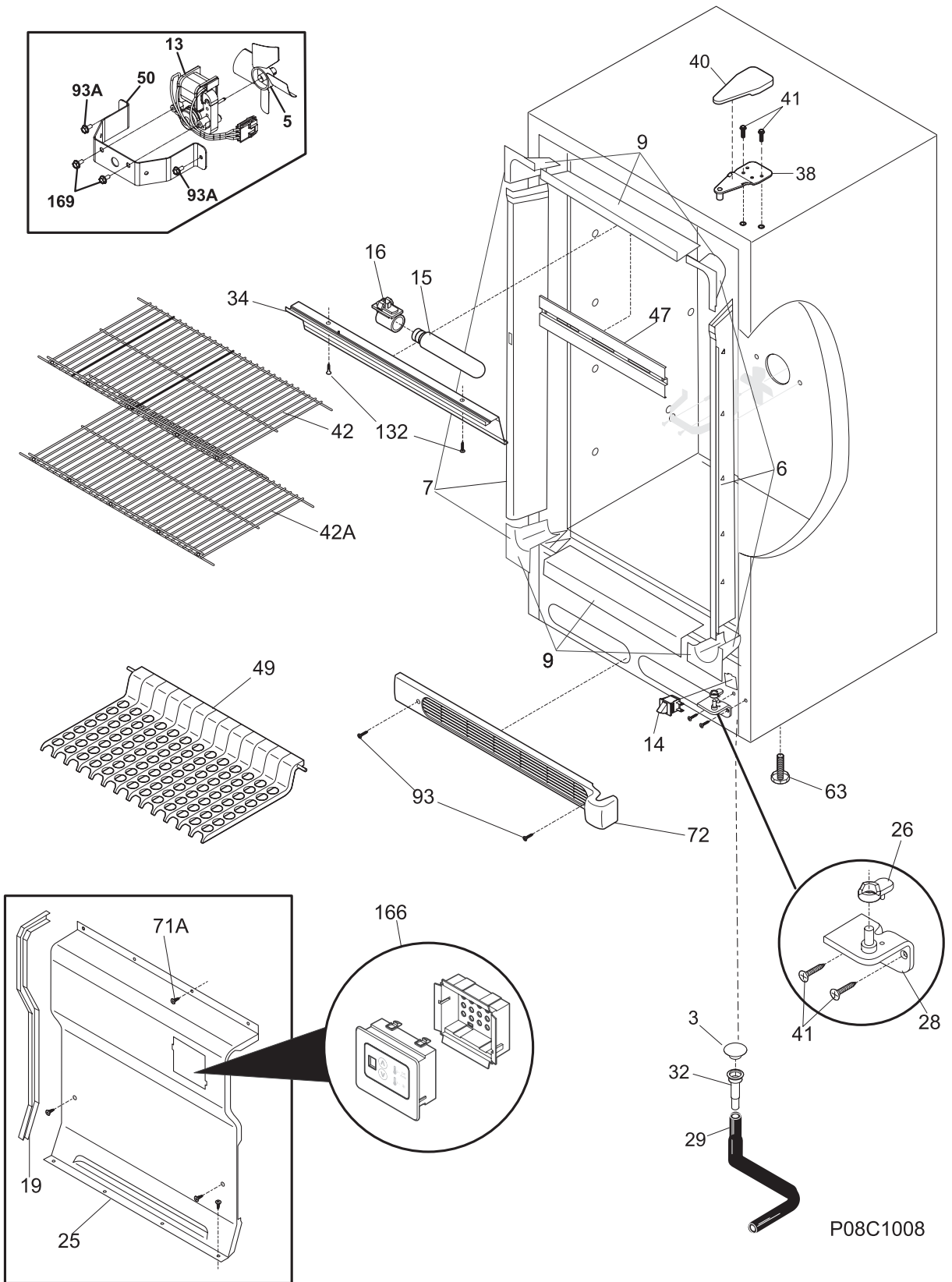


P08D0505

DOOR

POS. NO	PART NO.	DESCRIPTION
1	216522309	Gasket-door, white
2 #	297090000	Lock Assy
2A	297090900	Clip, SPRING
5	297147700	Key, lock
9	216527816	Panel-inner door, frzr
11	216526524	Panel-outer door, white
12	216947300	Nameplate
13	08016354	Door Stop
18	216921200	Handle, white
*	216932500	Nut, flange locking, handle
21A	08005520	Screw, door stop mtg, 4.0 x 0.7-19.7, flat hd, metric
22	216970800	Bearing, hinge w/o'ring, top
22A	297006800	Bearing-hinge, btm, w/o'ring
26	216524200	Gasket, secondary
27	5303212828	Clip, panel mtg
27*	5304406520	Clip, panel mtg kit, (40)
28	216951600	Rack-door, (5)
32	5309950074	Valve, breather
64	216403700	Plug-button, hole filler, door base
93	5303161215	Screw, ph truss head, 8-18AB x 0.500

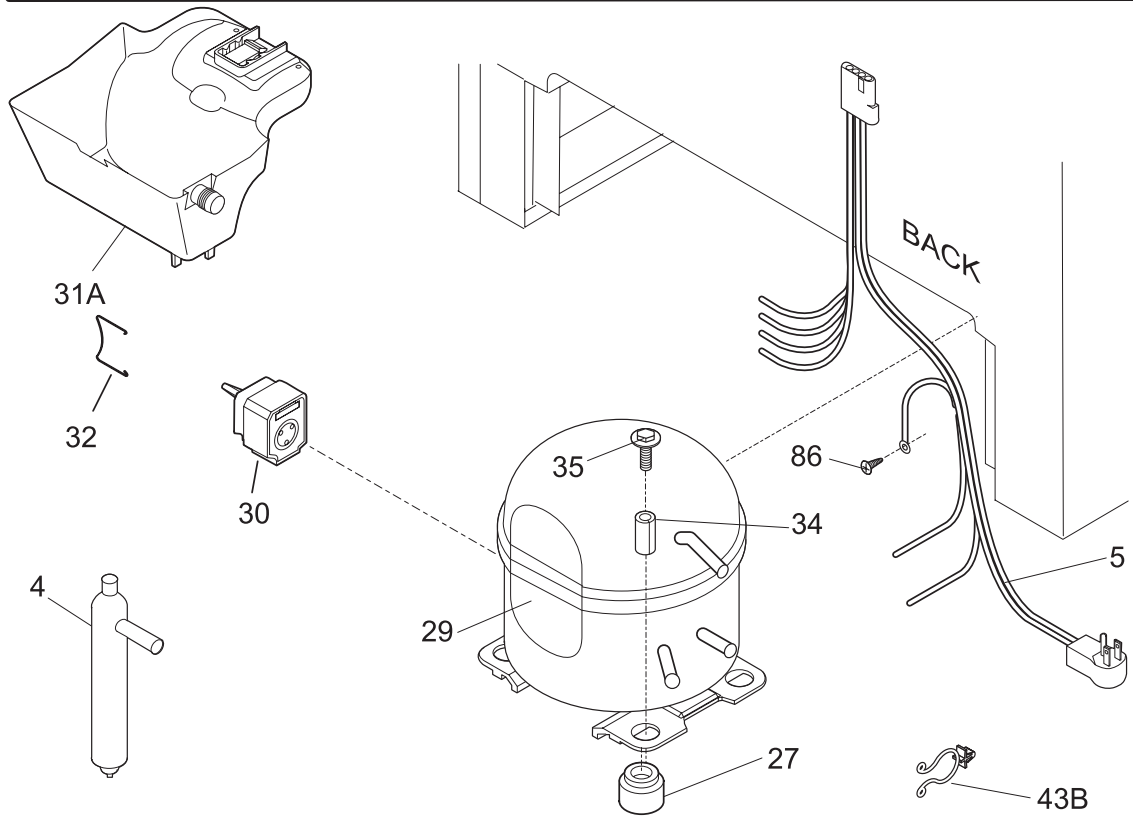
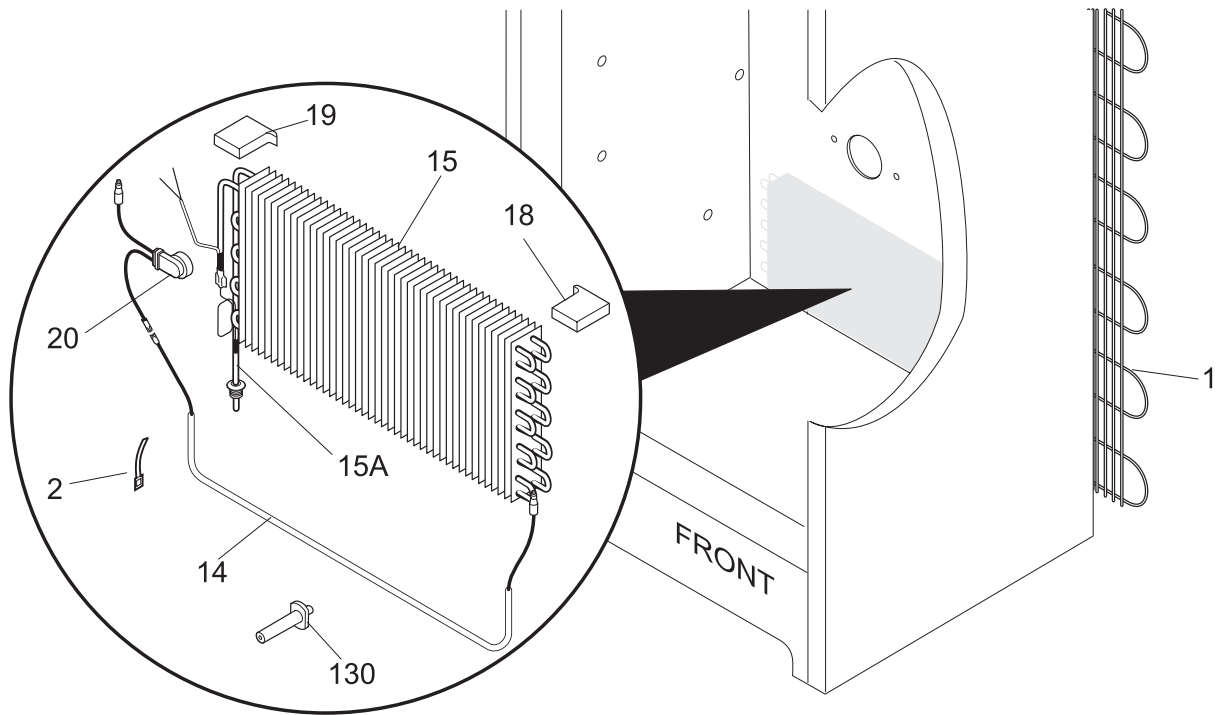
CABINET



CABINET

POS. NO	PART NO.	DESCRIPTION
3	216503100	Screen-drain
5 #	216325600	Fan Blade
6	216604200	Breaker Kit w/corners
7	216603700	Breaker Kit w/corners, lock catch
9	216603300	Breaker Kit w/corners, 32", top or bottom
13 #	216934100	Motor, fan, 115 V
14	216998000	Switch, light/lamp, ramp
15	216846400	Light Bulb/Lamp
16	216817600	Socket, light/lamp, 25 W
19	216204900	Gasket, evap cover
25	297098802	Cover-evaporator
26	216503300	Ramp, door closer
28	297132700	Hinge, bottom, RH
29	216313501	Hose-drain
32	5308005500	Drain
34	216816200	Shield-light
38	216939100	Hinge-upper
40	216809000	Cover-hinge
41	216936800	Screw-hinge, 12-24x.700 HWH
42	216458400	Shelf, 14.50x27.88, (3)
42A	216458200	Shelf, 12.50x27.88, white
*	216502400	Grommet-shelf mtg
47	216661600	Plate, baffle, snap fit
49	216937700	Trivet
50	216394000	Bracket, fan motor mount
63	216396900	Screw, leveling foot, plastic, adjustable
71A	5304416289	Screw, ph truss head, 8-18AB x 0.47, EVAP PANEL
72	297036900	Grille/Kickplate, 32", white
93	5303161215	Screw, ph truss head, 8-18AB x 0.500
93A	216629600	Screw, hex washer head, 10-16 x 0.500, tapping
132	5303283898	Screw, 6-20AB x 3/8
166#	297142400	Electronic cold control, assy
169	216912400	Screw, hex washer head, #8-32 x .500, bracket fan mtr, (2)
*	216795410	Energy Guide
*	5303321319	Paint, touch-up, white
*	297001704	Insulation, 24", drain tube

SYSTEM



P08S0432

SYSTEM

POS. NO	PART NO.	DESCRIPTION
1 #	5300083897	Condenser
2	5308000110	Strap-evap/heater, aluminum, (2)
4 #	216938600	Drier-filter
5 #	297016600	Harness-main
14 #	216730700	Heater-defrost
15 #	216997300	Evaporator
15A	216783200	Heat Exchanger, suct/cap tube
18	297078700	Insulator-evap, styrofoam
19	297078800	Insulator-evap, styrofoam
20	216872200	Thermostat, defrost
27	5308002681	Grommet, compressor
29#	297068203	Compressor, w/grommets, w/o electricals
30	297051003	Controller, compressor
31A	216994100	Pan-drain
32	297051100	Clamp, elec cont mtg, compressor
34	5306594529	Sleeve-compressor
35	5303272328	Screw, lnd hex sems, 1/4-28 unfx, compressor
43B	297048400	Clip
86	216036600	Screw, ph washer head, 8-32CA x 0.500, thread forming
130	216486800	Support, evaporator mtg
*	216502500	Sleeve, suction line
*	297014500	Plug-suction line
*	297102800	Spacer-tube