

Frigidaire

Factory Parts Catalog

Product No.	FFU2065FW1
Series	134A
Color	white
Volts	115
Wiring Diagram	297082201
Owner's Guide	297079200
Market	North America
Energy Guide	216795511

 **Electrolux**

Electrolux Major Appliances
North & Latin America
P.O. BOX 212378
AUGUSTA, GA 30917

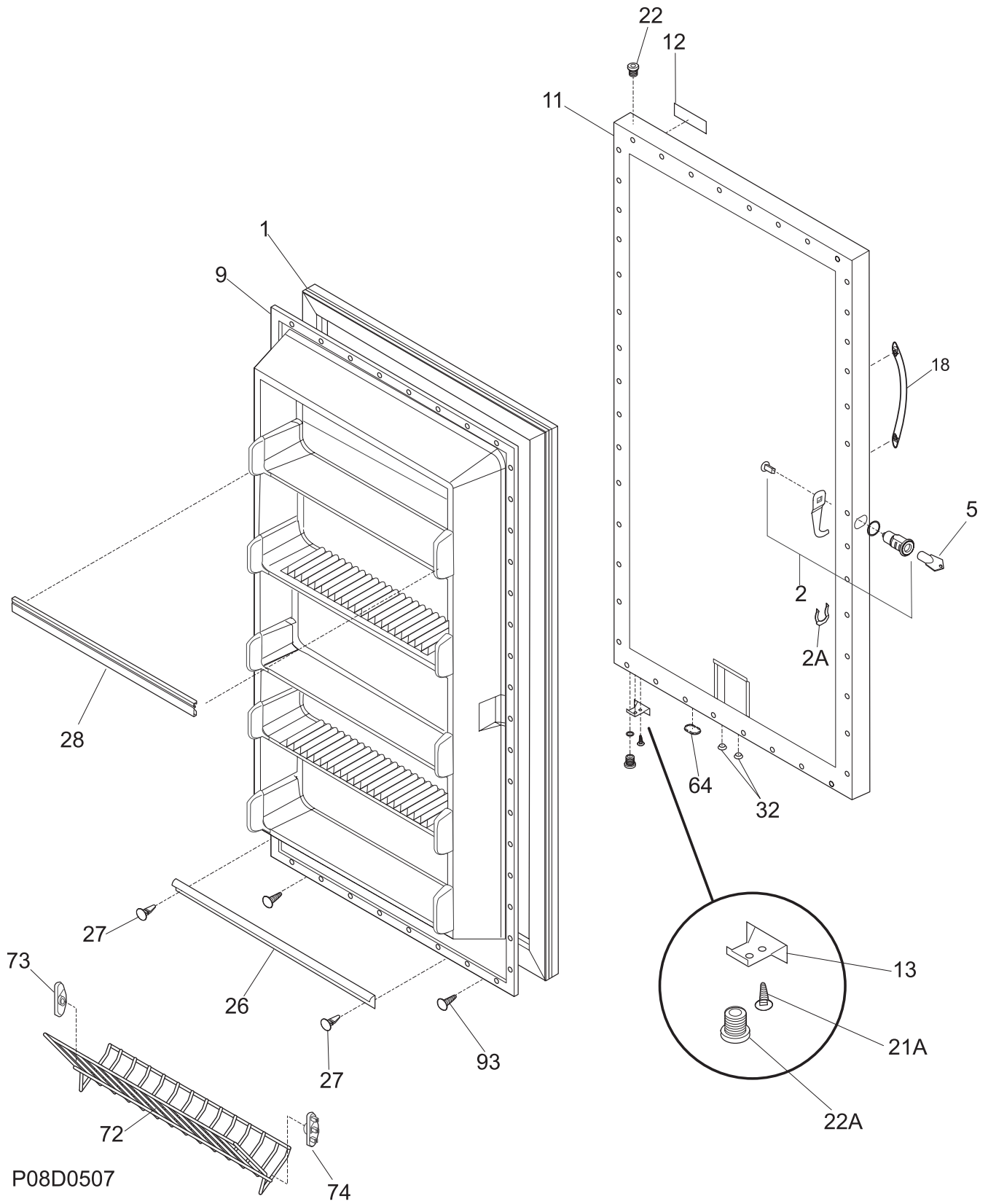
Publication No.
5995477097
06/10/18
(EN/SERVICE/MLR)
365

UPRIGHT FREEZER

Model No.
FFU2065FW

Copyright © 2006 Electrolux Home Products, Inc.
All rights reserved.

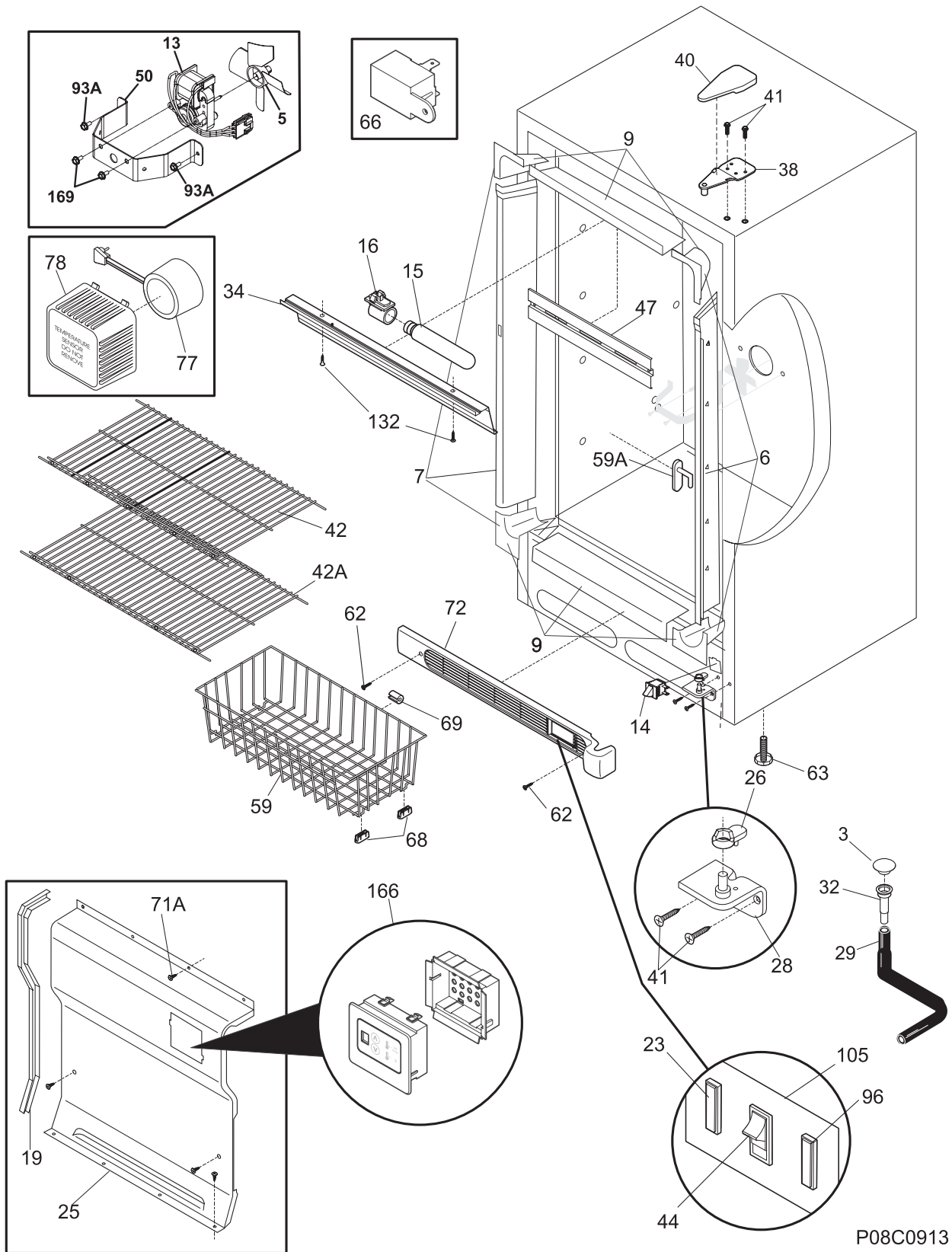
DOOR



DOOR

POS. NO	PART NO.	DESCRIPTION
1	216522312	Gasket-door, white
2 #	297090000	Lock Assy
2A	297090900	Clip, SPRING
5 #	216702900	Key, lock
9	216528113	Panel-inner door, frzr
11	216531215	Panel-outer door, white
12	216947300	Nameplate
13	08016354	Door Stop
18	216921200	Handle, white
*	216932500	Nut, flange locking, handle
*	297048000	Screw, anchor, #8, white
21A	08005520	Screw, door stop mtg, 4.0 x 0.7-19.7, flat hd, metric
22	216970800	Bearing, hinge w/o'ring, top
22A	297006800	Bearing-hinge, btm, w/o'ring
26	216524200	Gasket, secondary
27	5303212828	Clip, panel mtg
27*	5304406520	Clip, panel mtg kit, (40)
28	216951600	Rack-door, (5)
32	5309950074	Valve, breather
64	216403700	Plug-button, hole filler, door base
72	216514100	Shelf, tilt out, wire
73	216513900	End Cap, shelf, LH, tilt-out
74	216514000	End Cap, shelf, RH, tilt-out
93	5303161215	Screw, ph truss head, 8-18AB x 0.500

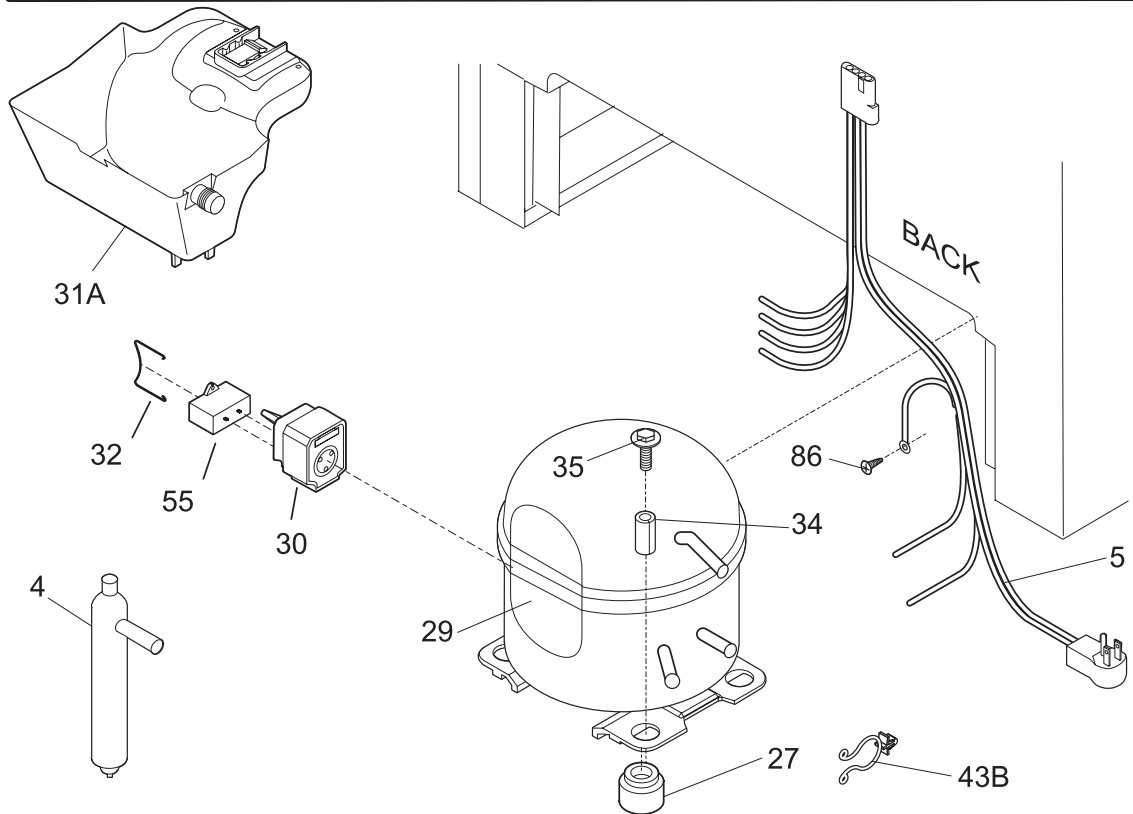
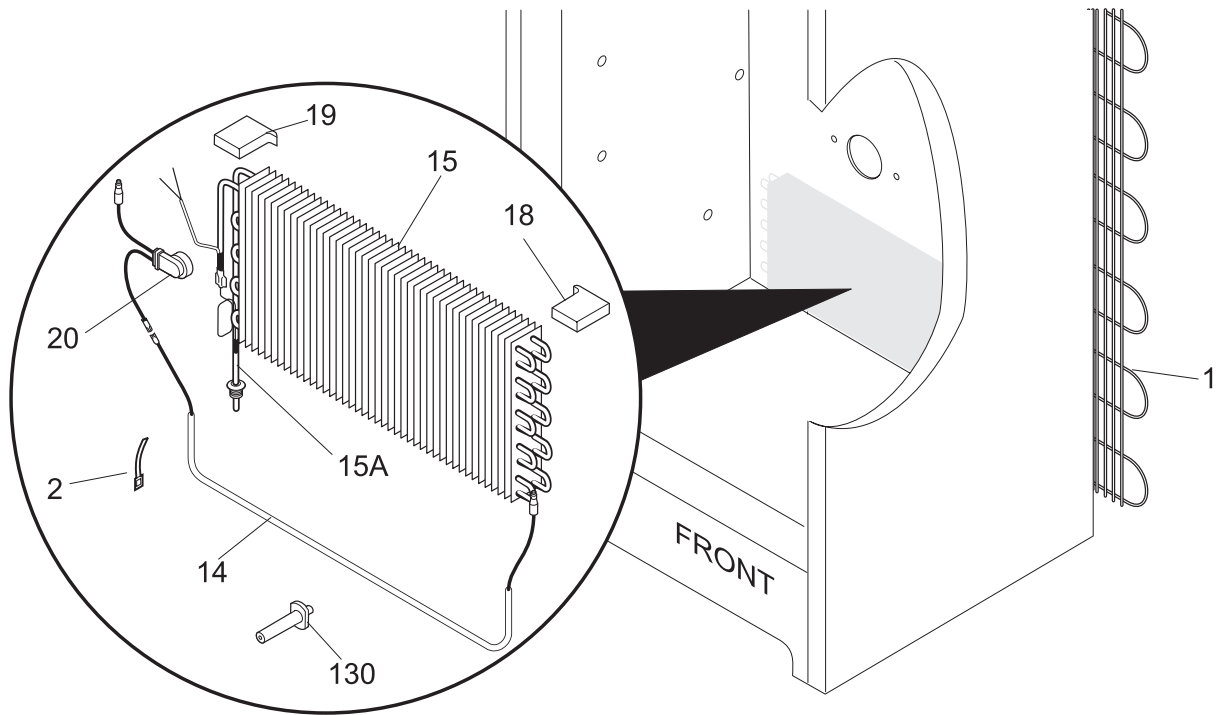
CABINET



CABINET

POS. NO	PART NO.	DESCRIPTION
3	216503100	Screen-drain
5 #	216325600	Fan Blade
6	216604100	Breaker Kit w/corners
7	216603600	Breaker Kit w/corners, lock catch
9	216603300	Breaker Kit w/corners, 32", top or bottom
13	216934100	Motor, fan, 115 V
14	216998000	Switch, light/lamp, ramp
15	216846400	Light Bulb/Lamp
16 #	216817600	Socket, light/lamp, 25 W
19	216204901	Gasket-cover evap
23	297087400	Light, signal, amber
25	297099002	Cover-evaporator
26	216503300	Ramp, door closer
28	216247400	Hinge, bottom
29	216313501	Hose-drain
32	5308005500	Drain
34	216816221	Shield-light
38	216939100	Hinge-upper
40	216809000	Cover-hinge
41	216936800	Screw-hinge, 12-24x.700 HWH
42	216458500	Shelf, wire, 16.69x26.88, white, (3)
42A	216458400	Shelf, 14.50x27.88, (2)
*	216502400	Grommet-shelf mtg
44	216823300	Switch, rocker
47	216661600	Plate, baffle, snap fit
50	216394000	Bracket, fan motor mount
59	216826500	Basket
59A	216486500	Stop-basket, (2)
62	131420300	Screw, cr truss head, 8-18AB x 0.750
63	216396900	Screw, leveling foot, plastic, adjustable
66 #	216713700	Buzzer, alarm
68	08009560	Glide-basket, (4)
69	5305878546	Bumper-basket, (2)
71A	5304416289	Screw, ph truss head, 8-18AB x 0.47, EVAP PANEL
72	297036902	Grille/Kickplate, 32", white
77 #	5308037992	Sensor Assy
78	297013300	Housing-sensor
93A	216629600	Screw, hex washer head, 10-16 x 0.500, tapping
96	297087500	Light-signal, red
105	216926600	Bracket, alarm, 2 lights
105*	216926700	Shield
*	216790600	Harness, alarm
132	5303283898	Screw, 6-20AB x 3/8
166#	297079700	Electronic control, assy
169	216912400	Screw, hex washer head, #8-32 x .500, bracket fan mtr, (2)
*	216795511	Energy Guide
*	5303305324	Paint, touch-up, white
*	297001704	Insulation, 24", drain tube

SYSTEM



P08S0422

SYSTEM

POS. NO	PART NO.	DESCRIPTION
1 #	5300083897	Condenser
2	5308000110	Strap-evap/heater, aluminum, (2)
4 #	216938600	Drier-filter
5 #	297093500	Harness, electrical
14	216730700	Heater-defrost
15 #	216997300	Evaporator
15A#	216783200	Heat Exchanger, suct/cap tube
18	297078700	Insulator-evap, styrofoam
19	297078800	Insulator-evap, styrofoam
20	216872200	Thermostat, defrost
27	5308002681	Grommet, compressor
29 #	297003000	Compressor, kit w/grommets, & welded clip, w/o electricals
30 #	241527803	Starter-TSD
31A	216994100	Pan-drain
32	241544101	Clamp, elec cont mtg, compressor, bale wire
34	5306594529	Sleeve-compressor
35	5303272328	Screw, lnd hex sems, 1/4-28 unfx, compressor
43B	297048400	Clip
55	218909915	Capacitor, run, 220 VAC, 15 microfarad
86	216036600	Screw, ph washer head, 8-32CA x 0.500, thread forming
130	216486800	Support, evaporator mtg
*	216502500	Sleeve, suction line
*	297014500	Plug-suction line
*	297102800	Spacer-tube