



# All Freezer

## FPFU19F8QF

18.6 Cu. Ft. Built-In



Shown with companion, All-Refrigerator model FPRU19F8QF and optional coordinated Double Louvered Trim Kit (TRIMKITEZ2).

### Signature Features



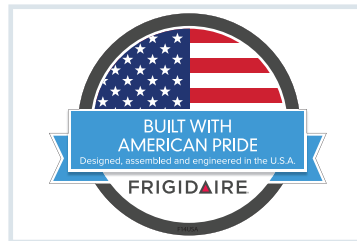
**SpaceWise® Storage Baskets**  
Two full-width storage baskets keep things organized and slide out for easy access.



**Bright LED Theatre Lighting**  
Bright LED theatre lighting so you can spend less time digging through your freezer for items.



**Smudge-Proof™ Stainless Steel**  
Reduces fingerprints and smudges so it's easy to clean.



**Built with American Pride**  
Appliances that are high-performing, more accessible, and more innovative than ever — designed, built, and engineered in the U.S.A.

### Product Dimensions

Height (Including Door)	71-3/8"
Width	32"
Depth (Including Door)	26-1/2"

### More Easy-To-Use Features

#### Soft Freeze™ Zone

A bin that remains slightly warmer than the freezer interior for convenient storage of soft freeze items such as ice cream.

#### Express-Select® Controls

Easily select options with the touch of a button.

#### SpaceWise® Adjustable Shelving

Adjustable shelf allows you to customize your freezer so you can fit different size items as your needs change.

#### Automatic Alerts

Alerts you if the door is left open or if the temperature rises.

#### PureAir Ultra® Filter

Keeps the air cleaner and fresher.

Sabbath Mode (Star-K® Certified)

Available in:



Stainless  
(F)

### Optional Trim Kits

#### Single Louvered Trim Kit (TRIMKITEZ1)

For single All-Refrigerator installation. Includes louvered top grille and vented, louvered toe kick, 2-9/16" H leveling system and side/top trim pieces.

#### Double Louvered Trim Kit (TRIMKITEZ2)

For All-Freezer/All-Refrigerator side-by-side installation. Includes full-width, louvered top grille and vented, louvered toe kick, two 2-9/16" H leveling systems, side/top trim pieces and hardware to tie the units together.

Features	
Door Design	Smudge-Proof™ Stainless Steel
Door Handle Design	Stainless Steel
Cabinet Finish	Grey
Door Hinge Covers	Hidden
Automatic Door Closer	Yes
Leveling System/Leveling Legs	Yes/4
Controls	
Controls	Express-Select®
Location of Controls	Inside Cabinet, on Top
Temperature Display C°/F°	Yes
Lock/Light	Yes/Yes
Temp Failure Alerts (Audible & Duration)	Yes
Door Ajar Alert (Audible)	Yes
Power Failure Alert (Duration)	Yes
Air Filter/Air Filter Change Indicator Light	PureAir Ultra®/Yes
Freezer Features	
Refrigerator Shelves	2 SpaceWise® Adjustable Glass
Ice Maker	Yes
Ice Bin	Yes
Full-Width Mid-Level Basket	1 Plastic
Full-Width Bottom Basket	1 Plastic
Full-Width Gallon Door Bin	1 Clear
Half-Width Liter Bin	5 Clear
Tilt-Out Wire Shelf	
Soft Freeze™ Zone	Yes
Lighting	8-Point LED
Optional Accessories	
Single Louvered Trim Kit	PN# TRIMKITEZ1
Double Louvered Trim Kit	PN# TRIMKITEZ2
Certifications	
Sabbath Mode (Star-K® Certified)	Yes
Specifications	
Total Capacity (Cu. Ft.)	18.6
Shelf Area (Sq. Ft.)	20.9
Annual Energy (kWH)	593
Annual Energy Cost (.12/kWH)	\$71
Power Supply Connection Location	Right Bottom Rear
Water Inlet Location	Left Bottom Rear
Voltage Rating	115V/60Hz/20A
Connected Load (kW rating) @ 115 Volts¹	0.55
Amps @ 115 Volts	5
Minimum Circuit Required (Amps)	20
Shipping Weight (Approx.)	255 Lbs.

¹An electrical supply with grounded three-prong receptacle is required. The power supply circuit must be installed in accordance with current edition of National Electrical Code (NFPA 70) and local codes & ordinances.

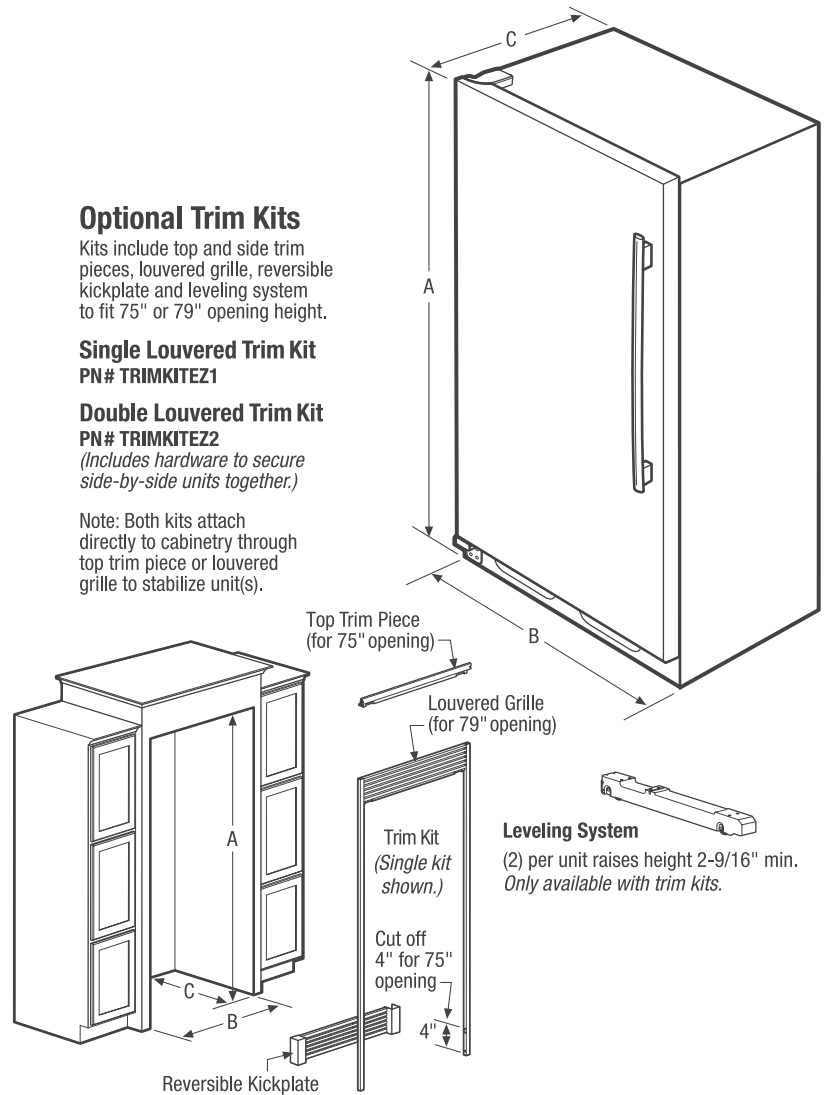
### Optional Trim Kits

Kits include top and side trim pieces, louvered grille, reversible kickplate and leveling system to fit 75" or 79" opening height.

#### Single Louvered Trim Kit PN# TRIMKITEZ1

#### Double Louvered Trim Kit PN# TRIMKITEZ2 (Includes hardware to secure side-by-side units together.)

Note: Both kits attach directly to cabinetry through top trim piece or louvered grille to stabilize unit(s).



NOTE: For planning purposes only. Always consult local and national electric and plumbing codes. Refer to Product Installation Guide for detailed installation instructions on the web at [frigidaire.com](http://frigidaire.com).



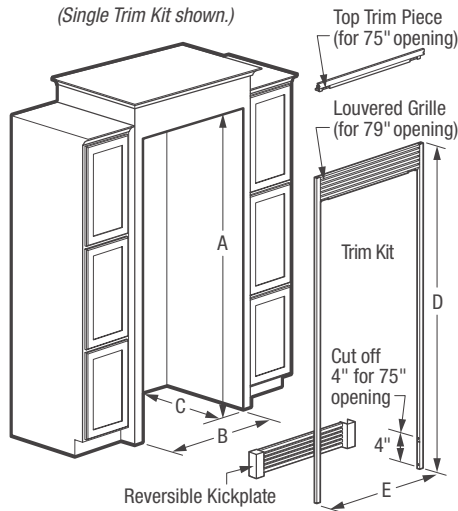
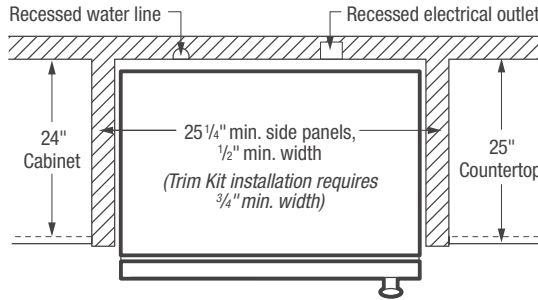
Overall Exterior Dimensions	
A - Height (Incl. Door)	71-3/8"
B - Width	32"
C - Depth (Incl. Door)	26-1/2"
Depth with Door Open 90°	57-1/4"

Built-In Cutout Dimensions	
<b>Single Unit without Trim Kit -</b>	
A - Height	72"
B - Width	33"
C - Depth	25-1/4" min. <sup>1</sup>
<b>Single Unit with Trim Kit &amp; Leveling System -</b>	
A - Height	75" or 79"
B - Width	33"
C - Depth	25-1/4" min. <sup>1</sup>

Built-In Cutout Dimensions	
<b>Double Unit² without Trim Kit -</b>	
A - Height	72"
B - Width	66"
C - Depth	25-1/4" min. <sup>1</sup>
<b>Double Unit² with Trim Kit &amp; Leveling System -</b>	
A - Height	75" or 79"
B - Width	66"
C - Depth	25-1/4" min. <sup>1</sup>

¹Minimum depth from face of cabinet side panels and requires recessed electrical outlet.  
²Side-by-Side

Accessories information available on the web at [frigidaire.com](http://frigidaire.com)



**Optional Trim Kits & Dimensions**

Kits include top and side trim pieces, louvered grille, reversible kickplate and leveling system to fit 75" or 79" opening height.

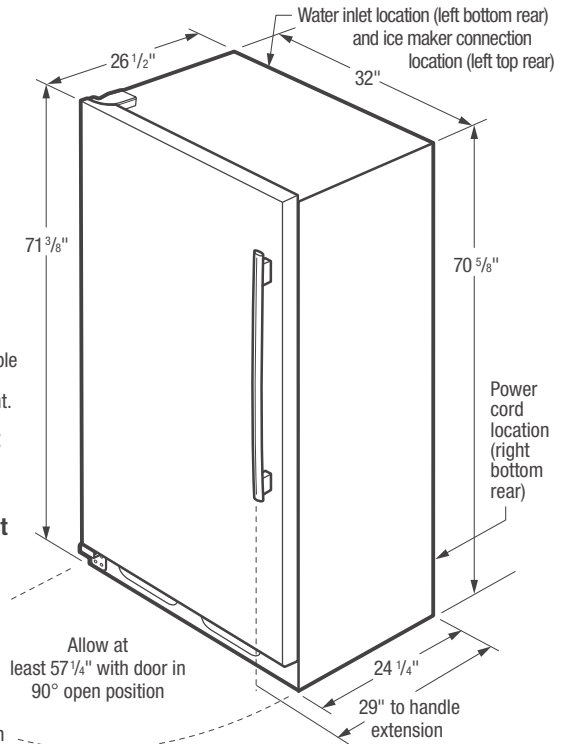
**Single Louvered Trim Kit  
PN# TRIMKITEZ1**

(D) 75 1/8" or 79 1/8" (E) 34 3/4"

**Double Louvered Trim Kit  
PN# TRIMKITEZ2**

(Includes hardware to secure side-by-side units together.)  
(D) 75 1/8" or 79 1/8" (E) 67 1/8"

Note: Both kits attach directly to cabinetry through top trim piece or louvered grille to stabilize unit(s). Refer to detailed kit installation instructions packed with kit or on web.



**All-Freezer Cutout Dimensions**

**Built-In Installation (without Trim Kit)**

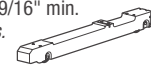
**Single Unit**  
(A) 72" (B) 33" (C) 25 1/4" min.\*  
**Double Unit (Side-by-Side)**  
(A) 72" (B) 66" (C) 25 1/4" min.\*

**Built-In Installation (with Trim Kit & Leveling System)**

**Single Unit**  
(A) 75" or 79" (B) 33" (C) 25 1/4" min.\*  
**Double Unit (Side-by-Side)**  
(A) 75" or 79" (B) 66" (C) 25 1/4" min.\*

**Leveling System**

(2) per unit raises height 2-9/16" min.  
Only available with trim kits.



\*Minimum depth from face of cabinet side panels and requires recessed electrical outlet.

**Built-In All-Freezer Specifications**

- Product Shipping Weight - 255 Lbs.
- An electrical supply with grounded three-prong receptacle is required. The power supply circuit must be installed in accordance with current edition of National Electrical Code (NFPA 70) and local codes & ordinances.
- Voltage Rating - 115V / 60 Hz / 20 Amps
- Connected Load (kW Rating) @ 115 Volts = 0.55 kW
- Amps @ 115 Volts = 5 Amps
- Always consult local and national electric & plumbing codes.
- Water line for ice maker can enter opening through floor or rear wall. Copper tubing recommended between cold water line and water connection location. Water line tubing recommended is 48" minimum length by 1/4" diameter. Installation of easily accessible shutoff valve in water line required.
- Minimum 25-1/4" depth requires recessed electrical outlet and copper water line.
- To allow for ease of installation, tape excess power cord to back of unit.
- To allow for ease of moving out side-by-side units after installation, 84" minimum length of coiled copper tubing recommended.
- When installing freezer adjacent to wall, cabinet or other appliance that extends beyond front edge of unit, 20" minimum clearance recommended to allow for optimum 140° door swing, providing complete drawer / crisper access and removal. (Absolute 4" minimum clearance will ONLY allow for 90° door swing which will provide limited drawer / crisper access with restricted removal.)

- Freezer must be placed on level surface of hard material, same height as flooring. Surface must support approximately 800 lbs. when fully loaded. Unit equipped with 4-point leveling.

**"Built-In Look" Specifications**

- Minimum opening of 72" H x 33" W x 25-1/4" D required for single-unit "Built-In Look" installation; 66" W required for double-unit installation. (72" H to be measured from finished floor to underside of soffit or overhead cabinet.)
- Remove all wall / floor molding prior to built-in installation.

**Optional Trim Kit Specifications**

- If optional Single or Double Louvered Trim Kit is to be used, different cutout dimensions are required. Kit can be adapted to fit either 75" or 79" opening height. (Refer to cutout dimensions on this page and detailed Louvered Trim Kit installation instructions included with kit or on web.)
- Remove all wall / floor molding prior to built-in installation.

Note: For planning purposes only. Refer to Product Installation Guide on the web at frigidaire.com for detailed instructions.

**Optional Accessories**

- Single Louvered Trim Kit - (PN # TRIMKITEZ1).
- Double Louvered Trim Kit - (PN # TRIMKITEZ2).
- PureAdvantage® Air Filter Replacement Cartridge - (PN # 241754001).

Use these dimensions and clearance instructions for planning purposes only. For detailed installation instructions, refer to installation guide, packed with product, or on the web at [frigidaire.com](http://frigidaire.com).

