

Design Guide with
**Installation
Instructions**

30" Built-In
Bottom-Freezer, 2-Drawer
Refrigerator



Safety Information

BEFORE YOU BEGIN

Read these instructions completely and carefully.

- **IMPORTANT** — Save these instructions for local inspector's use. Observe all governing codes and ordinances.
- **Note to Installer** — Be sure to leave these instructions with the Consumer.
- **Note to Consumer** — Keep these instructions with your Owner's Manual for future reference.
- **Skill Level** — Installation of this refrigerator requires basic mechanical, carpentry and plumbing skills. Proper installation is the responsibility of the installer. Product failure due to improper installation is not covered under the GE Appliance Warranty. See the Owner's Manual for warranty information.

For Monogram local service in your area, call 1.800.444.1845.

For Monogram Parts and Accessories, call 1.800.626.2002.

www.monogram.com

⚠ WARNING:

This appliance must be properly grounded. See "Grounding the Refrigerator," page 5.

If you received a damaged refrigerator, you should immediately contact your dealer or builder.

⚠ CAUTION:

Due to the weight and size of this refrigerator, and to reduce the risk of personal injury or damage to the product—**TWO PEOPLE ARE REQUIRED FOR PROPER INSTALLATION.**

⚠ WARNING:

- These refrigerators are top-heavy and must be secured to prevent the possibility of tipping forward. Anti-tip protection is required. See page 14 for details.
- Use this appliance only for its intended purpose.
- Immediately repair or replace electric service cords that become frayed or damaged.
- Turn off the circuit breaker to disconnect power before cleaning or making repairs.
- Repairs should be made by a qualified service technician.

⚠ WARNING—R600a Refrigerant

Warning: This appliance contains isobutane refrigerant, R600a, a natural gas with high environmental compatibility. However it is also combustible. Please adhere to the warnings below:

- 1) When handling, installing and operating the appliance, care should be taken to avoid damage to the refrigerant tubing.
- 2) Servicing shall be performed by factory-authorized service personnel and component parts shall be replaced with manufacturer-authorized replacement components.
- 3) Refrigeration products contain refrigerants, which under federal law must be removed prior to product disposal.
- 4) Keep ventilation openings in the appliance enclosures or in the built-in structure clear of obstruction.
- 5) Do not use mechanical devices or other means to accelerate the defrosting process.
- 6) Do not damage refrigerant circuit.
- 7) Do not use electrical appliances inside the food storage compartment of the appliance.

CONTENTS

Design Guide

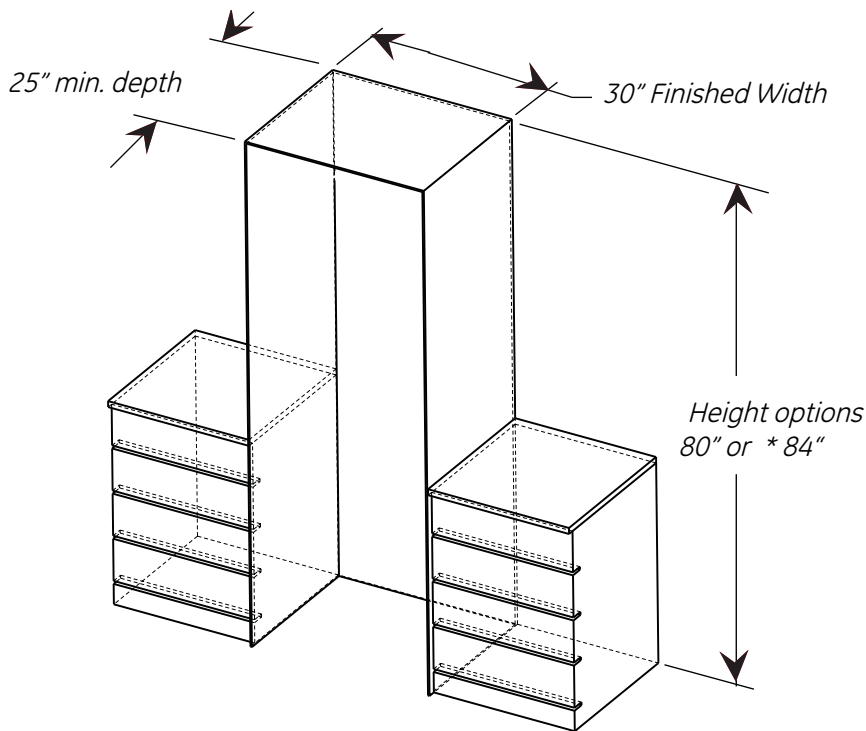
Cabinet Enclosure Dimensions	3
Refrigerator Dimensions.....	4
The Installation Space	5
Grounding the Refrigerator.....	5
Dimensions and Clearances.....	3
Integrated Handles	
115° Door Swing	6
Integrated Handles	
90° Door Swing	7
Professional Handles	
115° Door Swing	8
Professional Handles	
90° Door Swing	9
SS Panel Accessory & Dimension	10
3/4" Custom Panel Dimensions	11

Installation Instructions

Tools, Hardware, Materials.....	12
Step 1, Remove Packaging.....	13
Step 2, Install Anti-tip Bracket.....	14
Step 3, Thread Water Line	14
Step 4, Connect Power	14
Step 5, Remove Toekick and Vent....	15
Step 6, Slide Unit into Enclosure	15
Step 7, Connect Water Line	15
Step 8, Level Refrigerator	16
Step 9, Install Toekick and Vent	16
Step 10, Reverse Door Swing.....	17, 18
Step 11, Adjust Door Swing	18
Step 12, Attach Hinge Guard.....	18
Step 13, Install Door and Drawer	
Panels.....	19
Step 14, Start Icemaker	20
Badge Templates	21

Design Guide

Cabinet Enclosure Dimensions For Fully Integrated Instructions



The cutout depth must be 25" for flush installations.

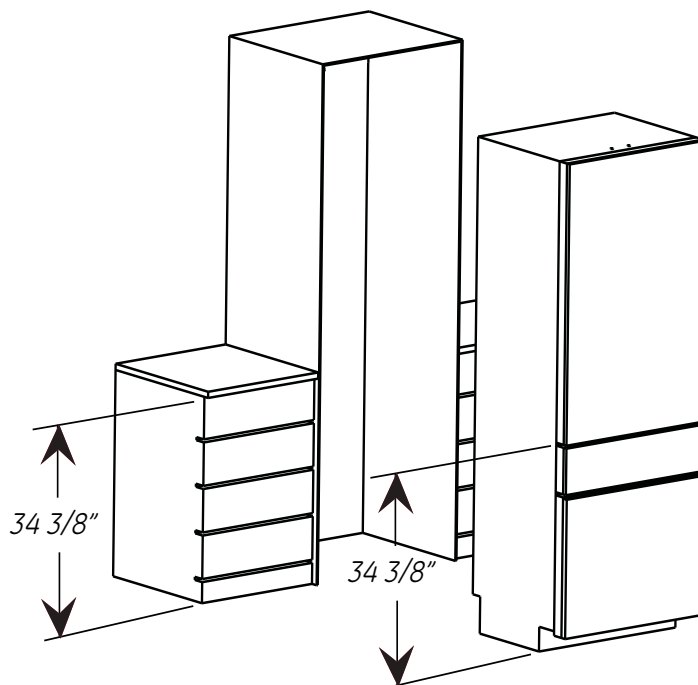
- The front face of the refrigerator fits flush with 25" depth adjacent cabinets.
- The refrigerator can fit into a 79-1/2" minimum, 84-1/2" maximum high enclosure. Although the refrigerator itself can only be raised to 80 3/8",
- The fresh food door panel can be constructed to fill additional height; see page 10.



Design Tip: We recommend finishing the inside surface of the enclosure a min. of 4" from the front face.



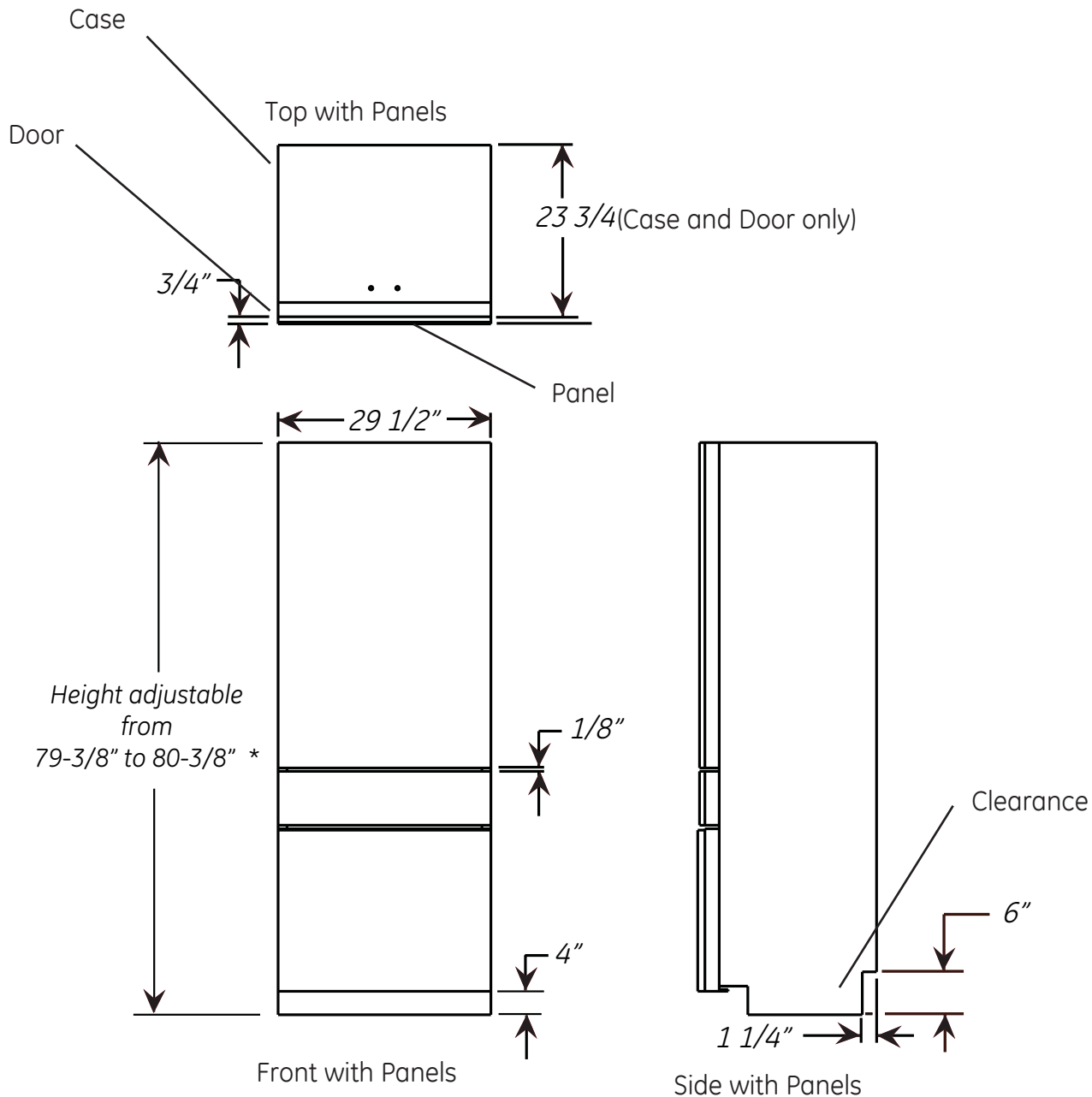
Design Tip: If using 84" enclosure, consider adding a finished valence above the refrigerator case.



Design Tip: It is possible to align your refrigerator drawer with adjacent cabinetry for a completely integrated look.

Design Guide

Refrigerator Dimensions with 3/4" Panels



* The Refrigerator can be adjusted to fit into a cabinet space that is $83 \frac{3}{8}$ " to $84 \frac{3}{8}$ " with the appropriate door panel kit.

Install Clearances		
Top	Each Side	Rear
$1/8"$ / 3mm	$1/4"$ / 6mm	$1/2"$ / 12mm

Design Guide

THE INSTALLATION SPACE

Water and Electrical Locations

Electrical and water supply should be located in shaded area only as shown.

PREPARING INSTALL WATER LINE

- A cold water supply is required for automatic icemaker operation. The water pressure must be between 40 and 120 p.s.i.
- Route 1/4" OD copper or GE SmartConnect™ plastic tubing between the house cold water line and the water connection location.
- Tubing should be long enough to extend to the front of the enclosure.
- Water line can enter an opening through the floor or back wall.
- Install a shut-off valve between the icemaker water valve and cold water supply in the home.

NOTE:

- It is recommended that the water shut-off valve be placed in a location that is easily accessible. We do not advise placing it behind the unit because of access difficulties. If it is necessary to install the valve behind the unit, it must be located in the shaded area.
- Saddle type shut-off valves are included in many water supply kits, but are not recommended for this application.
- The only GE-approved plastic tubing is supplied in the GE SmartConnect™ Refrigerator Tubing kits. Do not use any other plastic water supply line because the line is under pressure at all times. Other types of plastic may crack or rupture with age and cause water damage to your home. GE SmartConnect™ Refrigerator Tubing Kits are available in the following lengths:

6' (1.8 m) WX08X10006, 15' (4.6 m) WX08X10015 & 25' (7.6 m) WX08X10025

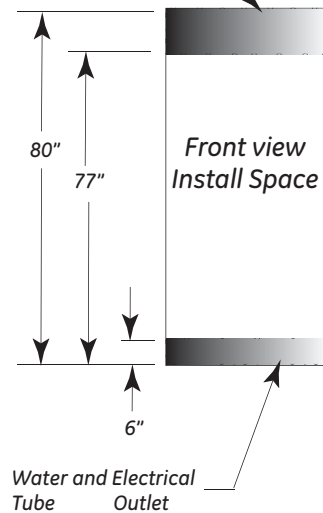
- Commonwealth of Massachusetts Plumbing Codes 248CMR shall be adhered to. Saddle valves are illegal and use is not permitted in Massachusetts. Consult with your licensed plumber.

Electrical Specifications

- A 115-volt, 60-Hz., 15- or 20-amp power supply is required. An individual properly grounded branch circuit or circuit breaker is recommended.
- Install a properly grounded 3-prong electrical receptacle recessed into the back wall. Electrical must be located on rear wall as shown.

NOTE: GFI (ground fault interrupter) is not recommended.

Anti-Tip location. Do not obstruct this area.



GROUNDING THE REFRIGERATOR

IMPORTANT—(Please read carefully)

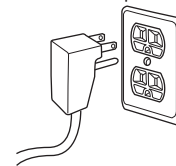
FOR PERSONAL SAFETY, THIS APPLIANCE MUST BE PROPERLY GROUNDED.

The power cord of this appliance is equipped with a 3-prong (grounding) plug which mates with a standard three-prong (grounding) wall receptacle to minimize the possibility of electric shock hazard from this appliance.

Have the wall outlet and circuit checked by a qualified electrician to make sure the outlet is properly grounded.

Where a standard 2-prong wall outlet is encountered, it is your personal responsibility and obligation to have it replaced with a properly grounded 3-prong wall outlet.

DO NOT, UNDER ANY CIRCUMSTANCES, CUT OR REMOVE THE THIRD (GROUND) PRONG FROM THE POWER CORD.



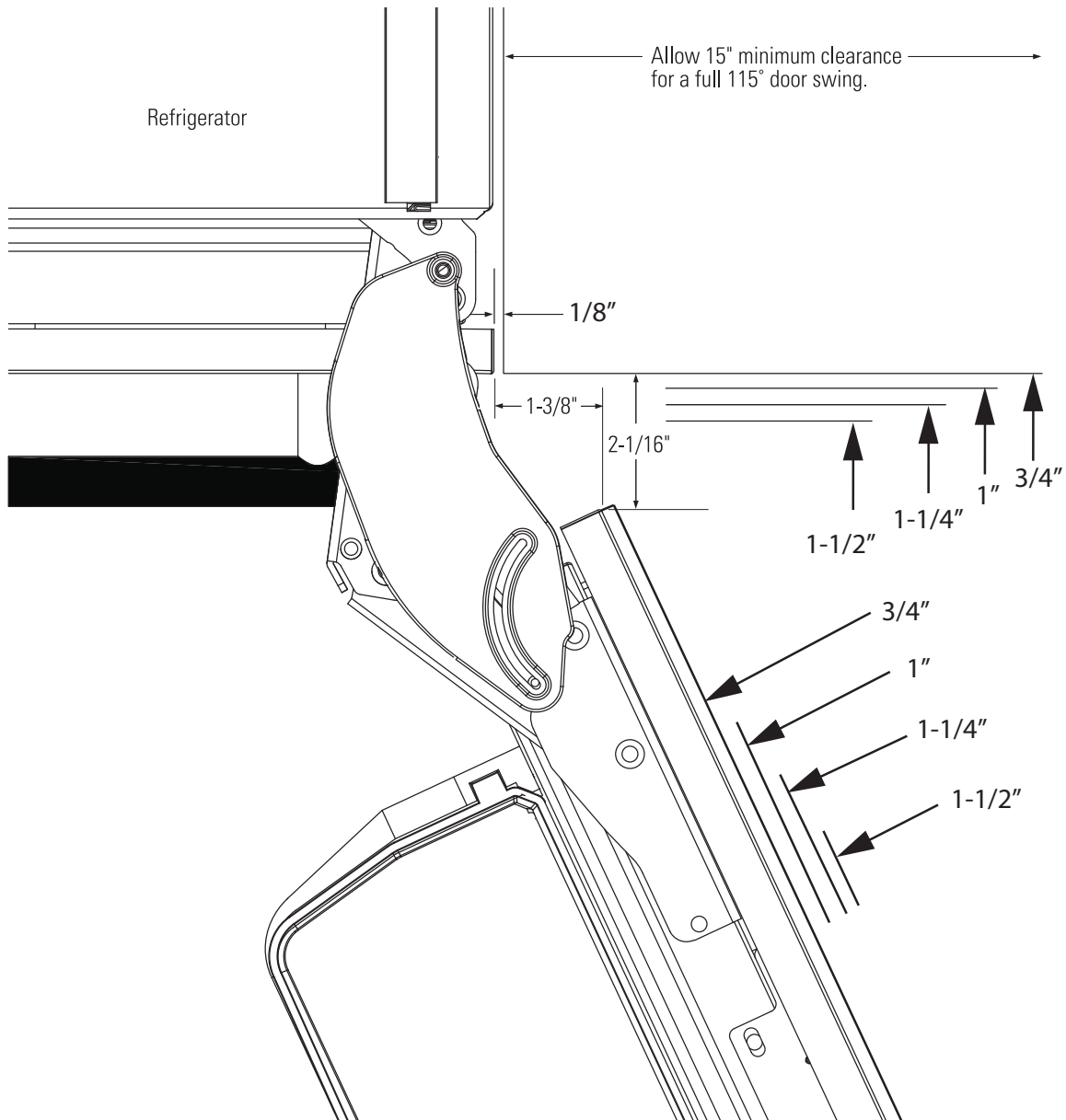
DO NOT USE AN ADAPTER PLUG TO CONNECT THE REFRIGERATOR TO A 2-PRONG OUTLET.

DO NOT USE AN EXTENSION CORD WITH THIS APPLIANCE.

Design Guide

Product Clearances

These refrigerators are equipped with a 2-position door stop. The factory-set 115° door swing can be adjusted to 90° if clearance to adjacent cabinets or walls is restricted. For 90° Door swing see page 7.



SS European or Custom Panels

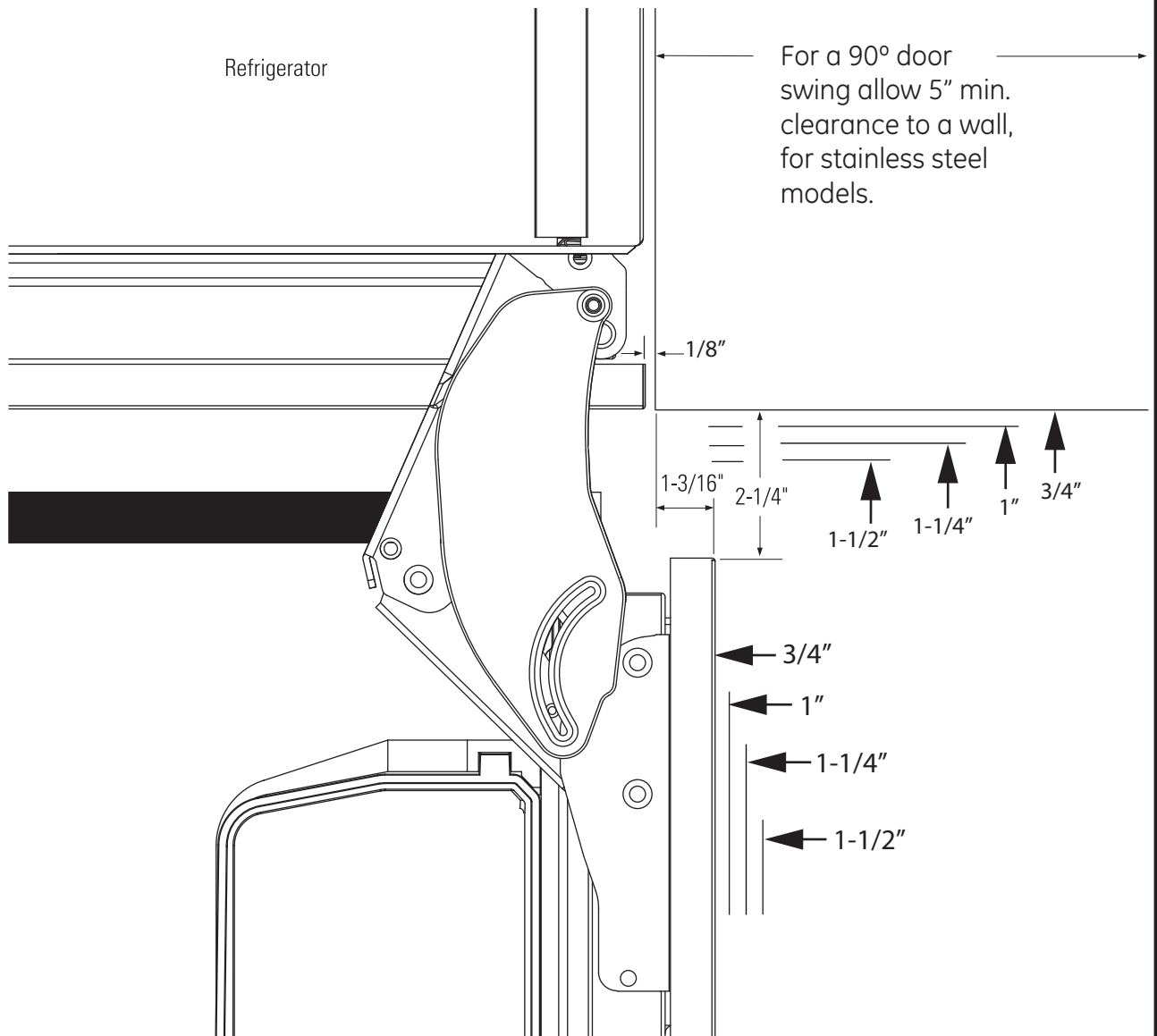
Top View

115° DOOR SWING

(factory setting)

Not to scale

Design Guide



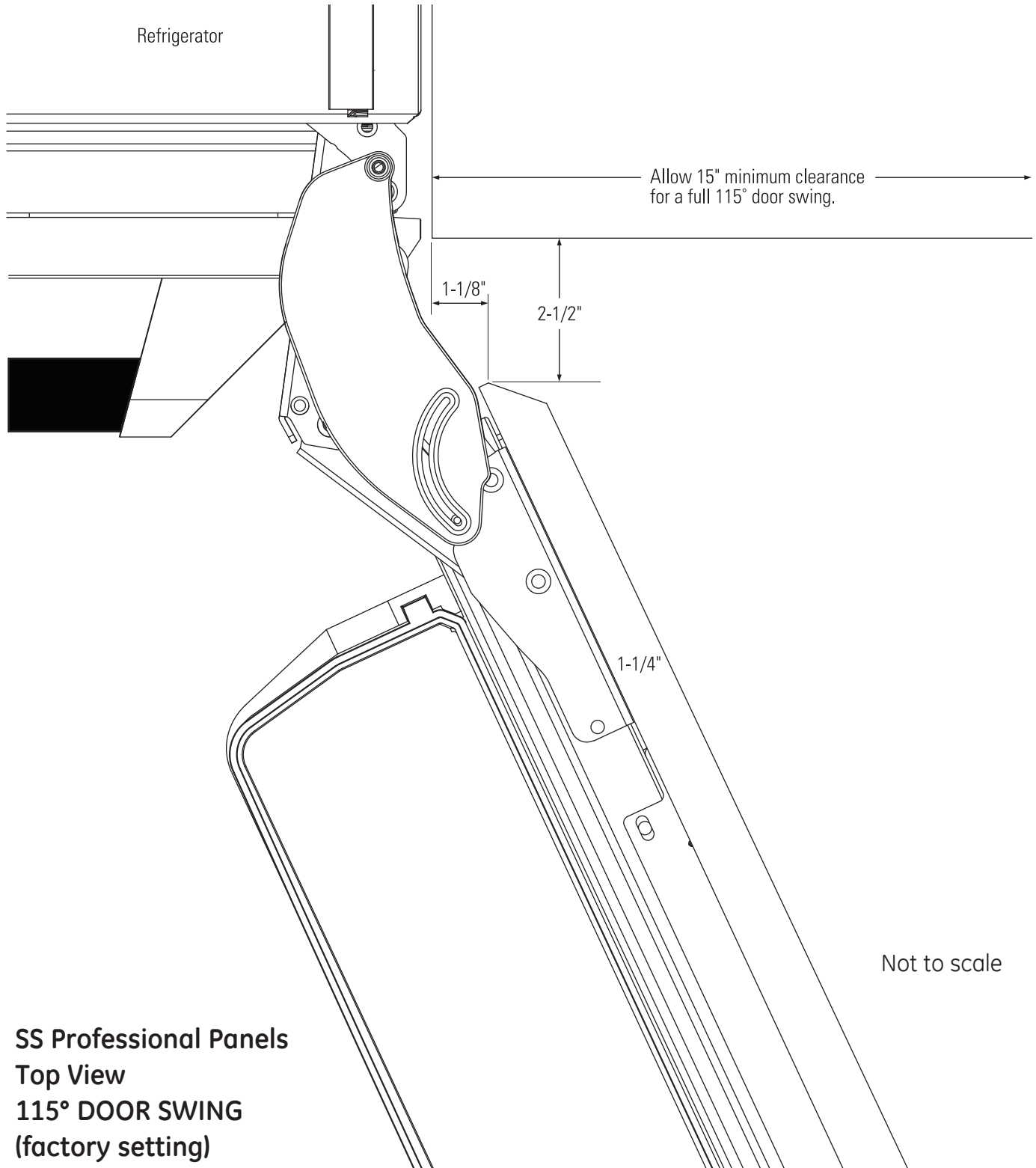
SS European or Custom Panels
Top View
90° DOOR SWING
(optional setting)

Not to scale

Design Guide

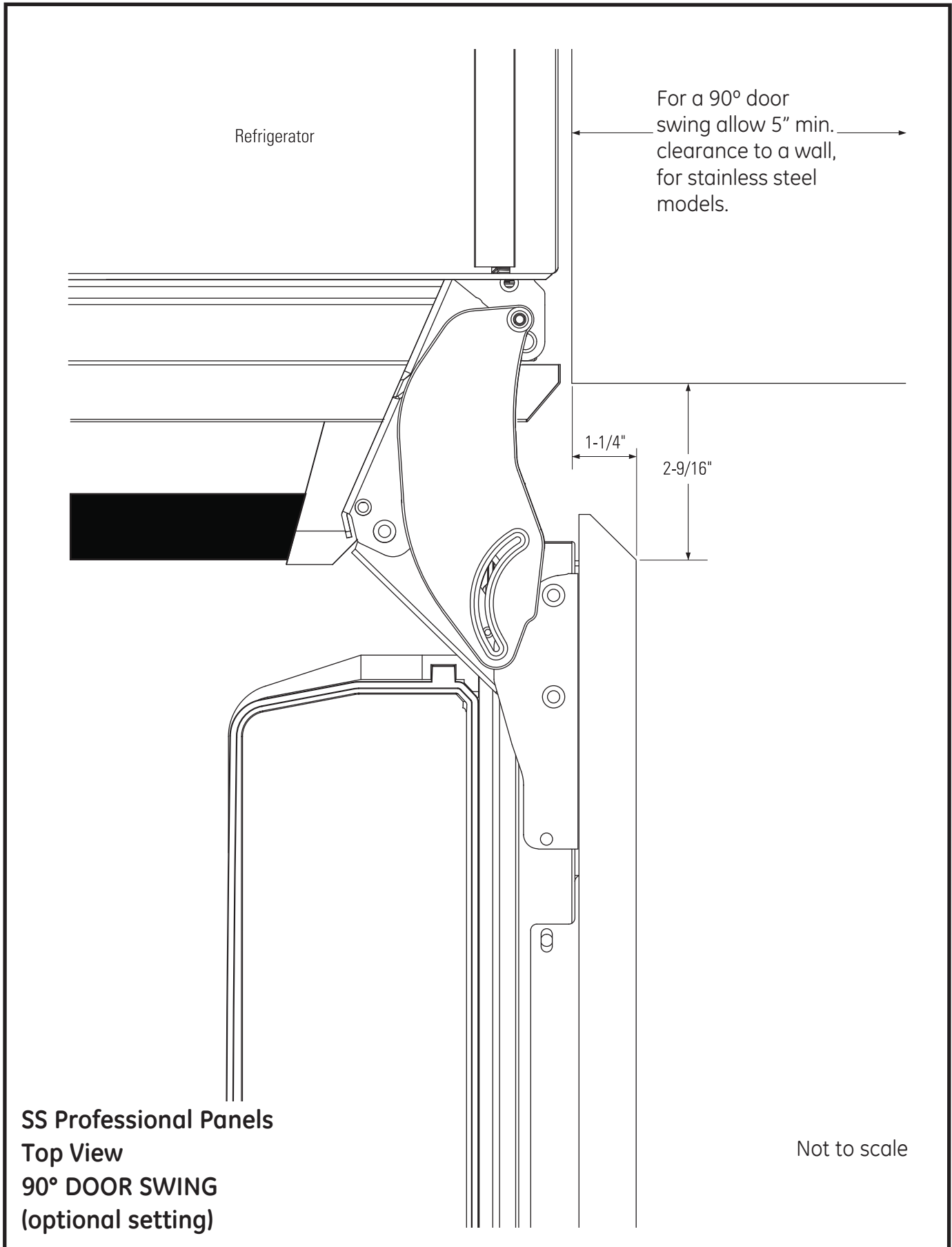
Product Clearances

These refrigerators are equipped with a 2-position door stop. The factory-set 115° door swing can be adjusted to 90° if clearance to adjacent cabinets or walls is restricted. For 90° Door swing see page 9.



SS Professional Panels
Top View
115° DOOR SWING
(factory setting)

Design Guide



Design Guide

SS PANEL ACCESSORY & DIMENSIONS

3/4"-Thick Solid Door Panel Options

For 80" High Installation

- Integrated – Panel Model ZKST300N LH & RH capable
- Professional – Panel Model ZKSP300N LH & RH capable

For 84" High Installation (The door panel is not reversible for the 84" Installations. A left or right-hand door panel accessory must be purchased.)

- LH Integrated – Model ZKST304NLH
- RH Integrated – Model ZKST304NRH
- LH Professional – Model ZKSP304NLH
- RH Professional – Model ZKSP304NRH

NOTE: Each kit also contains matching freezer and customizable drawer panels, handles and toekick.

3/4"-Thick Frame for Glass Door Options

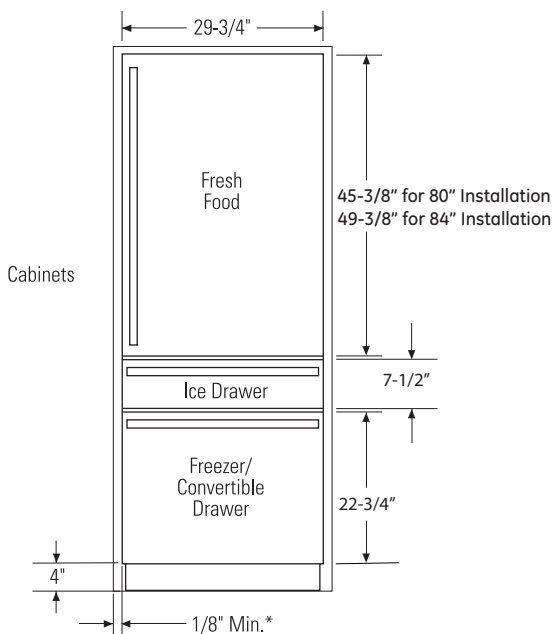
For 80" High Installation

- Integrated – Model ZKGT300N LH & RH capable
- Professional – Model ZKGP300N LH & RH capable

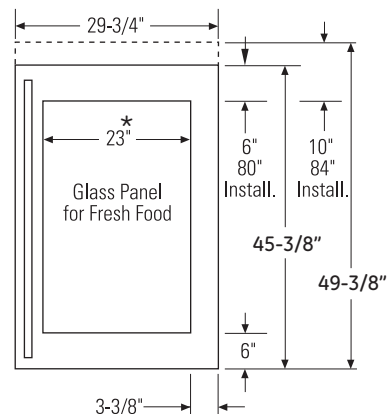
For 84" High Installation (The door panel is not reversible for the 84" Installations. A left or right-hand door panel accessory must be purchased.)

- LH Integrated – Model ZKGT304NLH
- RH Integrated – Model ZKGT304NRH
- LH Professional – Model ZKGP304NLH
- RH Professional – Model ZKGP304NRH

NOTE: Each option also contains matching freezer and Convertible drawer panels, handles and toekick.



*There must be a minimum 1/8" gap between panels and surrounding cabinetry.



*Pro style window is slightly smaller.

Optional Accessory Kits #:

- Side-by-Side Installation Kit – ZUG30
- European handle kit - (3 handles) - WR12X10988 (can be purchased through GE Parts)

Design Guide

3/4" CUSTOM PANEL DIMENSIONS: 80" High Fully Integrated Installation

If you choose to install custom panels, they must be cut to the dimensions shown. The panels will attach to the door and drawers using a hook and bracket system.

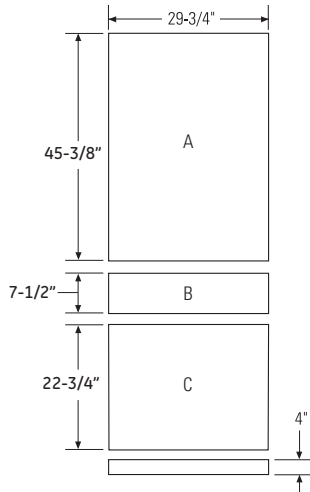
EXTREMELY IMPORTANT: Custom wood panels must be at least 3/4" thick where hooks and bracket hardware are attached. Refer to Templates for hook and bracket location.

NOTE: This product is designed to handle 3/4" panels that are made of wood.

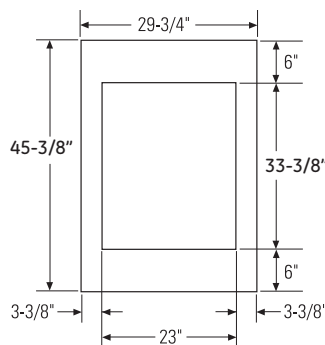
33-3/8" x 23" is the maximum opening for a glass window. The opening may be smaller if desired.

Routing of the panels is required where the hooks and brackets attach to the panels.

PANELS FOR SOLID DOOR AND DRAWERS



PANELS FOR GLASS DOOR



IMPORTANT NOTE: Maximum panel weight:

A Fresh Food Door Panel: 33 lbs.

B Freezer Drawer Panel: 9 lbs.

C Convertible Drawer Panel: 19 lbs.

*Styles must be a min 3-3/8" to cover aluminum door frame.



Design Tip: Some amount of each panel will be visible on the interior side of the unit. It is recommended that both sides of each panel be finished.



Design Tip: If using custom panels, a custom toe kick should be considered. The Bottom of case is white.

3/4" CUSTOM PANEL DIMENSIONS: 84" High Fully Integrated Installation

If you choose to install custom panels, they must be cut to the dimensions shown. The panels will attach to the door and drawers using a hook and bracket system.

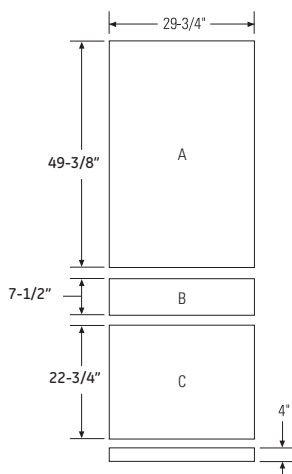
EXTREMELY IMPORTANT: Custom wood panels must be at least 3/4" thick where hooks and bracket hardware are attached. Refer to Templates for hook and bracket location.

NOTE: this product is designed to handle 3/4" panels that are made of wood.

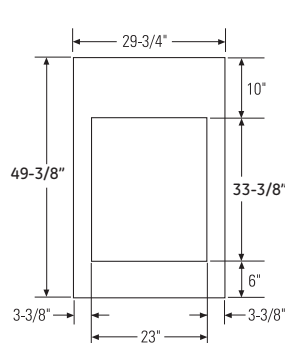
33-3/8" x 23" is the maximum opening for a glass window. The opening may be smaller if desired.

Routing of the panels is required where the hooks and brackets attach to the panels.

PANELS FOR SOLID DOOR AND DRAWERS



PANELS FOR GLASS DOOR



IMPORTANT NOTE: Maximum panel weight:

A Fresh Food Door Panel: 33 lbs.

B Freezer Drawer Panel : 9 lbs.

C Convertible Drawer Panel: 19 lbs.

*Styles must be a min 3-3/8" to cover aluminum door frame.



Design Tip: Some amount of each panel will be visible on the interior side of the unit. It is recommended that both sides of each panel be finished.



Design Tip: If using custom panels, a custom toe kick should be considered. The Bottom of case is white.

Installation Instructions

TOOLS REQUIRED

- 5/32" Allen wrench
- Utility knife
- Stepladder
- Bucket
- Level
- Appliance hand truck
- Tubing cutter
- 7/16" open-end wrench
- 1-5/16" open-end wrench
- #2 Phillips screwdriver
- Drill and bit set
- 5/16" socket
- Safety glasses
- Pliers
- 3/8" ratchet
- Torx T-20, T-30 wrench

HARDWARE SUPPLIED

- Anti-tip bracket & screws
- Panel mounting brackets
- Door panel templates- Pub # 31-46543
- Water filter - Part # GSWF
- Drywall Anchors and screws

MATERIALS REQUIRED

- 1/4" copper water line tubing or GE SmartConnect™ Refrigerator Tubing kits
- Water shut-off valve
- Custom panels for fresh food door, freezer drawer and Convertible drawer
- Velcro w/adhesive if using custom toekick.

FLOORING

For proper installation, this refrigerator must be placed on a level surface of hard material that is at the **same height as the rest of the flooring**. This surface should be strong enough to support a fully loaded refrigerator, or approximately 1,200 lbs.

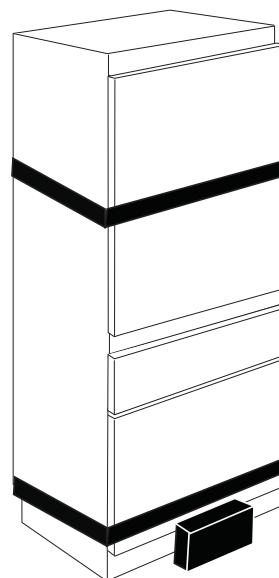
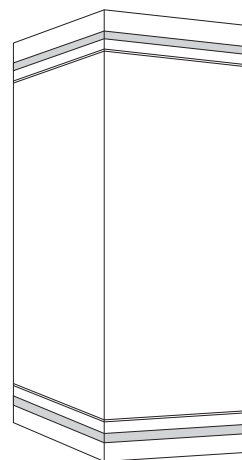
NOTE: Protect the finish of the flooring. Cut a large section of the cardboard carton and place under the refrigerator where you are working.

Installation Instructions

STEP 1 REMOVE PACKAGING

⚠ CAUTION: THE REFRIGERATOR IS TOP-HEAVY. BE CAREFUL WHEN MOVING.

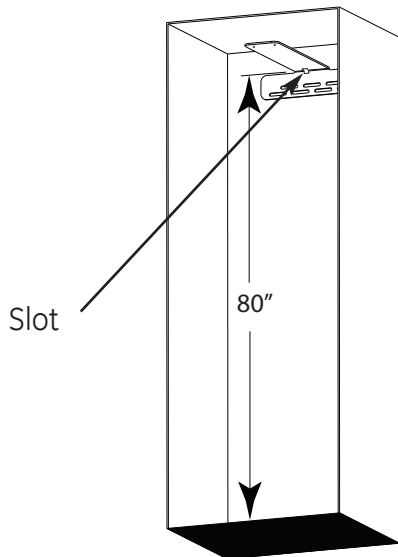
- Cut bands and tape on the top and bottom of packaging with a utility knife.
- Unfold the cardboard seams and remove the top of the packaging.
- Slide the remainder of the box off of the appliance. You can use a box cutter to cut the remaining cardboard being VERY CAREFUL not to scratch the appliance.
- Remove the Styrofoam supports from around the unit.
- **DO NOT remove door band or lower EPS banded part until unit is ready to go into enclosure.**
- Cut EPS skid at the sides near the front from the back of the unit.
- Push unit forward & remove rear portion of the EPS skid.
- Carefully lower rear onto the floor.
- Lean unit back slightly & remove front portion of the EPS skid.
- Discard all unused packaging materials appropriately.
- The unit can now be moved using an appliance hand truck or rolled on a properly protected floor by 2 people.
- Leave any protective film on the refrigerator until installation is complete.



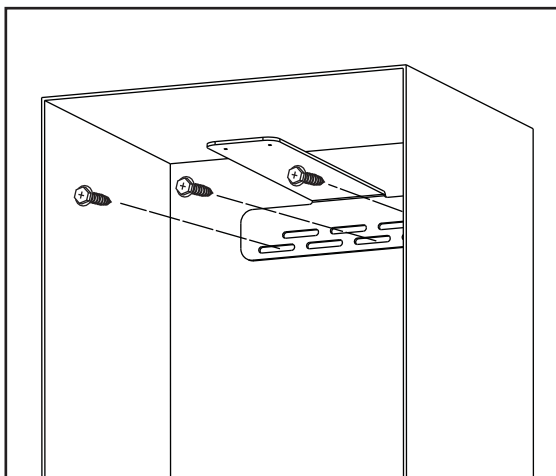
Installation Instructions

STEP 2 INSTALL ANTI-TIP BRACKET

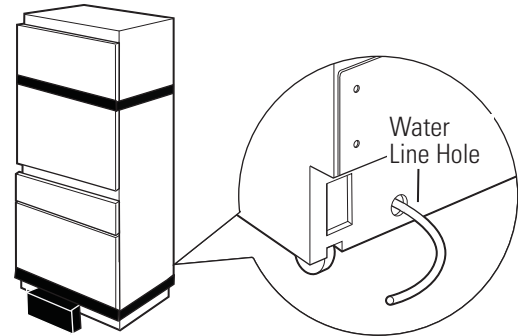
- Inside Top Face of bracket should be installed at 80". "Slot" in bracket should be placed in center of install Space (Typically 15")
- Mark (within slots, placement) stud and anchor positions on brackets.



- Secure bracket using combination of studs & anchors.
- **At least 1 stud must be engaged.** However, please engage as many studs as possible within the enclosure. A minimum of three fasteners should be used for proper installation.



STEP 3 CONNECT WATER LINE



- Position appliance in front of enclosure.
- Locate and bring tubing to the front of the cabinet.
- Turn the water on to flush debris from line. Run about a quart of water through tubing into a bucket; then shut off water.

If needed cut the tubing to the proper length so it can be attached to the water valve.

Copper Tubing:

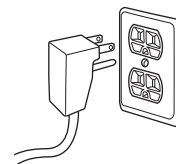
- Slip a 1/4" nut and ferrule over both ends of the copper tubing. Insert tube into the union fitting on the unit and tighten nut to union.
- Turn on the water to check for leaks.

GE SmartConnect™ Tubing:

- Insert the end of the tubing into the refrigerator connection. Tighten the compression nut until it is just hand-tight.
- Tighten one additional turn with a wrench. Overtightening can cause leaks!
- Turn on the water to check for leaks.

STEP 4 CONNECT POWER

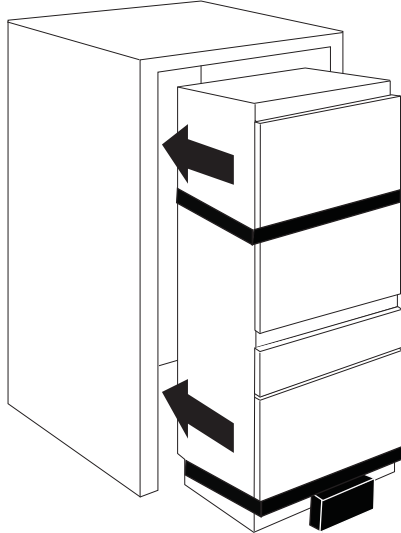
- Plug the power cord into the socket.
- Check to make sure power to refrigerator is on by opening the ice drawer (FF door will be banded shut) to see if interior lights are on.
- The temperature controls are preset at 37°F for the fresh food section and 0°F in both the freezer drawer and customizable drawer.
- Allow 24 hours to stabilize before making adjustments.



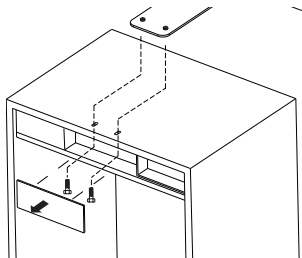
Installation Instructions

STEP 5 SLIDE UNIT INTO ENCLOSURE

Roll the unit into the enclosure, being careful not to pinch the water line or power cord.



- A long flat bar or yard stick may be needed to guide the front edge of the anti-tip bracket over the unit.
- If space allows, you may also bend the front edge of the bracket upward slightly, allowing it to clear the back of the unit.

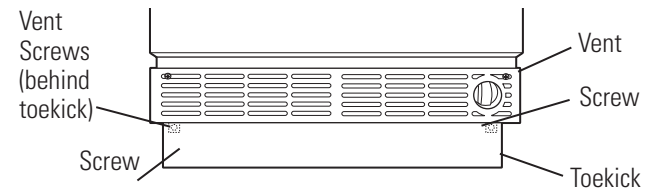


- Remove Top-Center trim cover from unit.
- Secure the unit to the Anti-tip bracket using both machine screws & washers to engage the threaded inserts in the anti-tip bracket.
- Hand start the screws until unit is in desired location within the install space.
- Finalize unit install by tightening the screws fully.
- Reinstall Trim cover.

STEP 6 REMOVE TOEKICK AND VENT

The toekick must be removed to access the leveling leg system.

- Remove band around EPS block in front of toekick.
- Remove and dispose of EPS block.
- Remove the solid portion of the toekick by pulling forward.
- Place the toekick, vent and screws out of the way so you will have them for reinstallation.

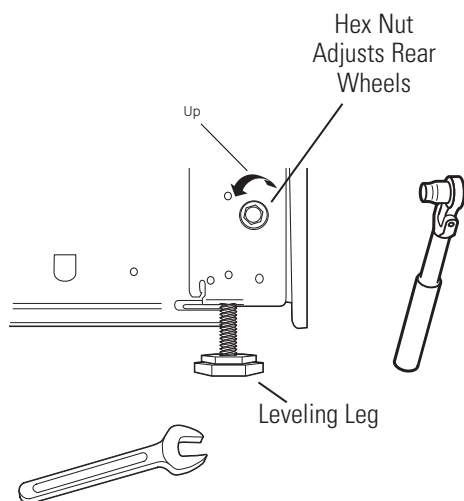


Installation Instructions

STEP 7 LEVEL REFRIGERATOR

All models have 4-point leveling. The front is supported by leveling legs; the rear is supported by adjustable wheels. Both are accessible from the front of the refrigerator.

- To level the back of the refrigerator, turn the 5/16" hex nut located above the front wheels. Turn counter clockwise to raise or clockwise to lower the refrigerator.
- For front leveling, use a 1-5/16" open-end wrench.
- Adjust height of refrigerator to match installation cutout opening. The refrigerator should be level and plumb with cabinetry.



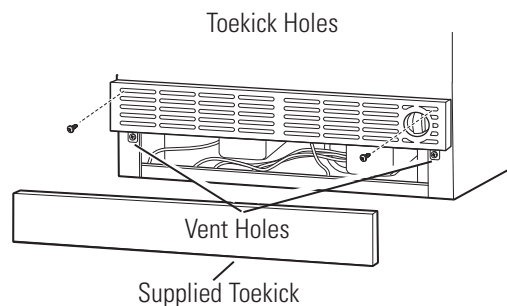
⚠ CAUTION:

The rear leveling wheels and front leveling legs are limited to a maximum height adjustment of 1". If the installation requires more than 84-1/2" height, the installer should elevate the refrigerator on a sheet of plywood or runners. Cabinetry trim could also be added across the top of the opening to shorten the opening.

If you attempt to raise the refrigerator more than 1", you will damage the front leveling legs and the rear leveling wheels.

STEP 8 INSTALL TOEKICK AND VENT

- Locate the toekick, vent and screws (removed earlier).
- A custom toekick can be installed to match or complement the surrounding cabinetry. Use the supplied toekick as a template.
- Reinstall the vent using the screws removed earlier.
- Reinstall the toekick .



Installation Instructions

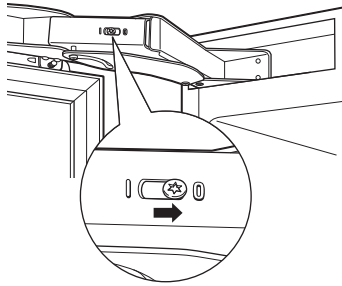
STEP 9 REVERSE DOOR SWING (If needed)

Skip this step if door swing is satisfactory.

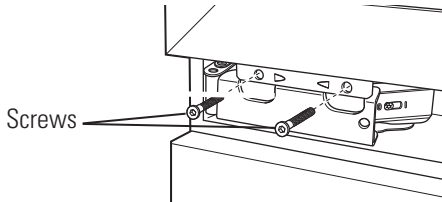
1. Open the fresh food door.

⚠ WARNING: THIS NEXT STEP IS IMPORTANT FOR SAFE HANDLING OF AN UNLOADED HINGE. DO NOT SKIP STEP 2.

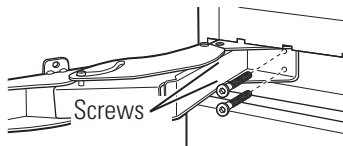
2. Release the hinge springs by using a Torx T-20 wrench to loosen the Torx screw from I to 0 on both hinges. Close the door.



3. Using a 5/32" Allen wrench, remove the 2 screws per hinge that secure the door to the refrigerator. Have someone hold the door while removing these screws to keep the door from falling.

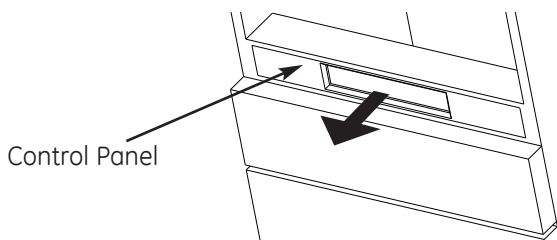


4. Open the hinges. Using a 5/32" Allen wrench, remove the 2 screws per hinge that secure the hinge to the refrigerator cabinet.



5. Remove the trim and hinge pocket from the top of the refrigerator and install on the opposite sides.

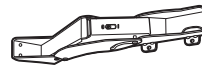
6. Remove the trim and hinge pocket from the bottom of the fresh food compartment. Remove the control panel and gently place in the FZ drawer.



7. Reinstall the control panel.

STEP 9 REVERSE DOOR SWING (cont.)

8. The hinges will be reinstalled in opposite corners. The hinge from the top will be turned over and installed at the bottom of the fresh food compartment. The hinge from the bottom will be turned over and installed at the top of the fresh food compartment.

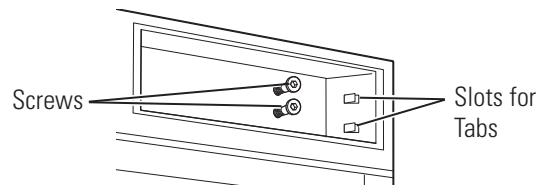


Top Hinge

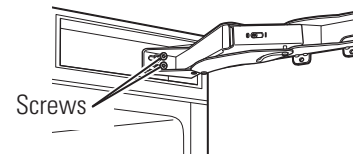


Bottom Hinge

9. Install the screws on the fresh food compartment cabinet in all 4 places. Screw them in about halfway.

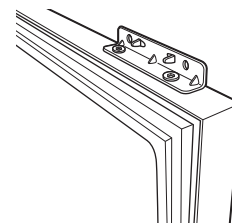


10. To install the top hinge, turn the hinge in the proper direction—the section of the bracket that will be attached to the door should be at the bottom of the hinge. Slide the hinge over the screws and seat the tabs into the hinge pocket. Tighten the screws.



11. To install the bottom hinge, turn the hinge in the proper direction—the section of the bracket that will attach to the door should be at the top of the hinge. Slide the hinge over the screws and seat the tabs into the hinge pocket. Tighten the screws. Close the hinge.

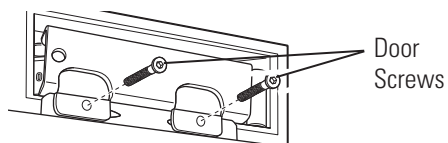
12. Remove the hinge brackets from the door and reinstall them on the opposite end, top and bottom.



Installation Instructions

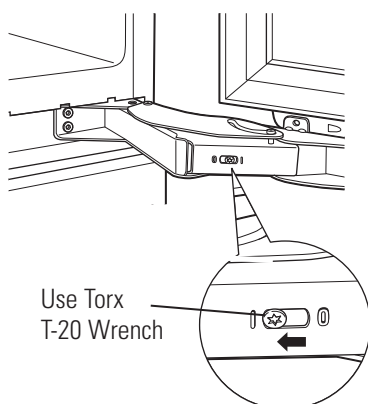
STEP 9 REVERSE DOOR SWING (cont).

13. With another person holding the door in place, align the holes in the door hinge bracket with the holes in the hinge. Install the screws to the top hinge first.



14. install screws on the bottom hinge next.

15. Using a Torx T-20 wrench, tighten the tension on the hinge springs by turning the screws from 0 to I.

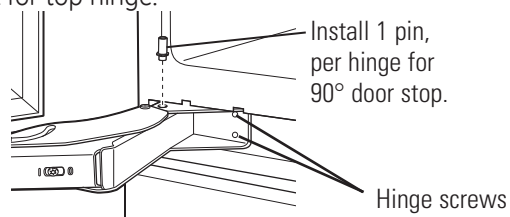


STEP 10 ADJUST DOOR SWING (if needed)

NOTE: This refrigerator has a 2-position door stop. When space does not allow the door to swing to 115°, you may limit the door swing to a 90°

Skip this step if door opening is satisfactory for your installation situation.

- Open the fresh food door to access the top and bottom hinges.
- Loosen the bottom hinge screws that attached to the unit
- Pull hinge forward slightly & insert hinge pin into the hole nearest the unit.
- You may need to use a small hammer to fully seat them in place.
- Retighten hinge screws.
- Repeat for top hinge.

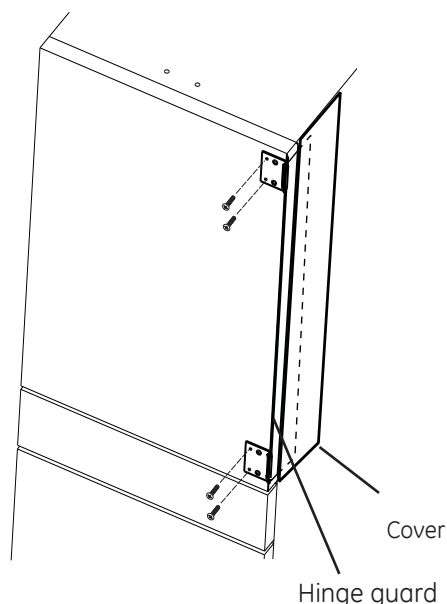


STEP 11 ATTACH HINGE GUARD

⚠ WARNING:

This appliance must be installed & operated with the hinge guard in place !

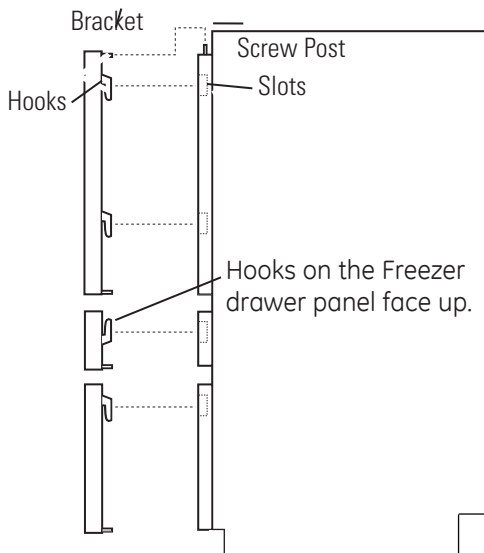
1. Tape hinge guard cover to side of case. Align cover with top and front edges of case.
2. Attach hinge guard by sliding flat part between case and hinge guard cover.
3. Fasten guard to door front using 4 screws.



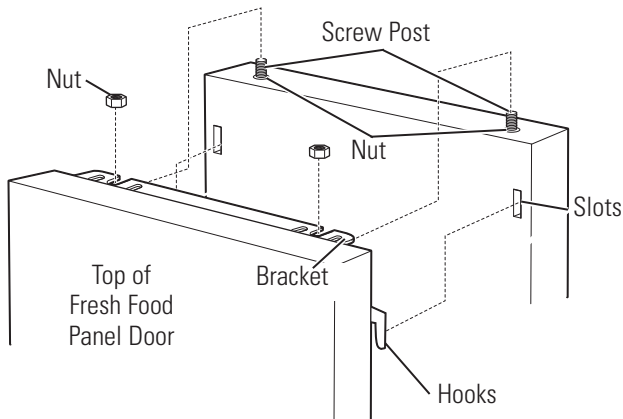
Installation Instructions

STEP 12 INSTALL DOOR AND DRAWER PANELS

1. Remove all door and drawer hooks from the unit and screw them to the custom panels, aligning them with the lowest set of predrilled holes for Monogram Panel Kits on the FF door panel.
2. Attach top L-Bracket to FF panel.
3. If you had custom handles made and they are not currently attached to your panels, do so now.
4. Open the fresh food door to attach the fresh food panel.
5. Slide the hooks on the fresh food panel into the slots of the door, and lower the hooks into place. Make sure the bracket on the top of the panel slides over the screw posts on top of the door. The brackets will rest on top of the nuts.

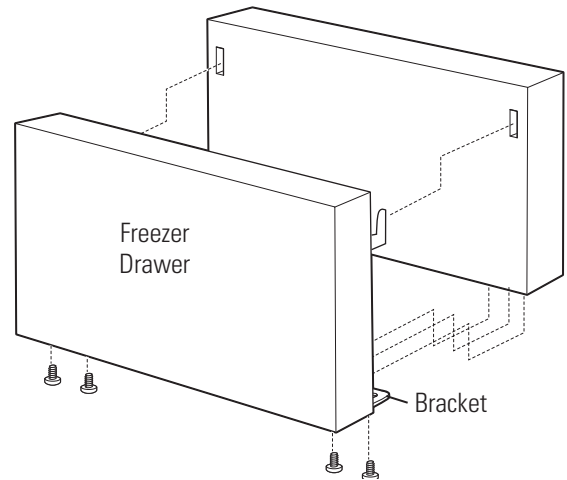


6. Adjust the screw posts up or down under the bracket on top of the door to level the panel.
7. Lock the panel to the door by installing the nuts provided onto the screw posts on top of the door. Next, screw the L-bracket provided into the bottom of the door and the panel.

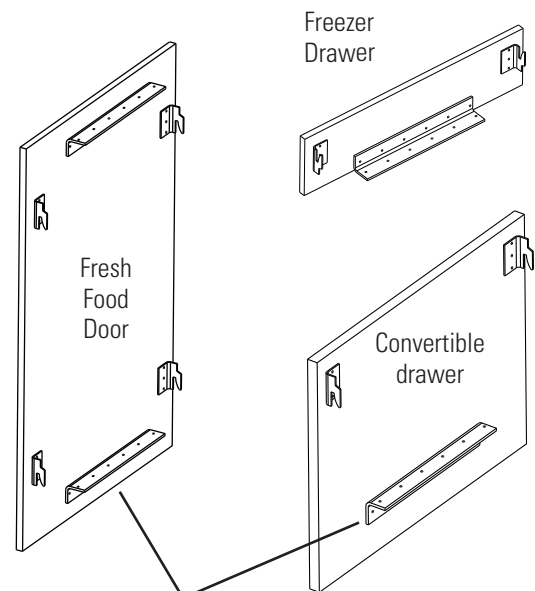


STEP 12 INSTALL DOOR AND DRAWER PANELS (cont).

7. Install the Freezer drawer panel by sliding the brackets **up** into place (the opposite direction of the hooks on the fresh food panel and Convertible drawer).
8. Once the drawer panel is placed fasten the panel to the drawer by screwing the bottom bracket into the panel with the screws provided.
9. Repeat for the second drawer by sliding the hooks **down** instead of up.
10. If using custom toe-kick attach the toe-kick panel by placing Velcro on the back of the panel, and on the front of the toe-kick. If using SS toe-kick it is magnetic.
11. Adjust drawer alignment using lower brackets as needed to create uniform gaps.



Back View of Panel Hooks and Bracket

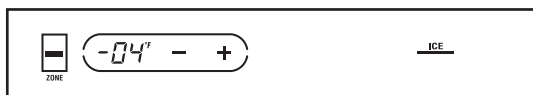


The lower brackets on the Fresh Food & Convertible Drawer should not be installed until after the panel is in place.

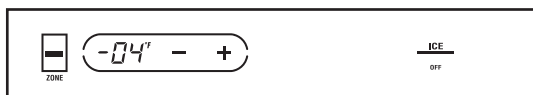
Installation Instructions

STEP 13 START ICEMAKER

- Press the **ZONE** indicator on the control pad twice to select the freezer drawer. Press the **ICE** icon on the right side of the control. A line will appear under **ICE** to show that the icemaker is ON.
- Be sure nothing interferes with the sweep of the feeler arm.
- Discard the first full bucket of ice cubes.



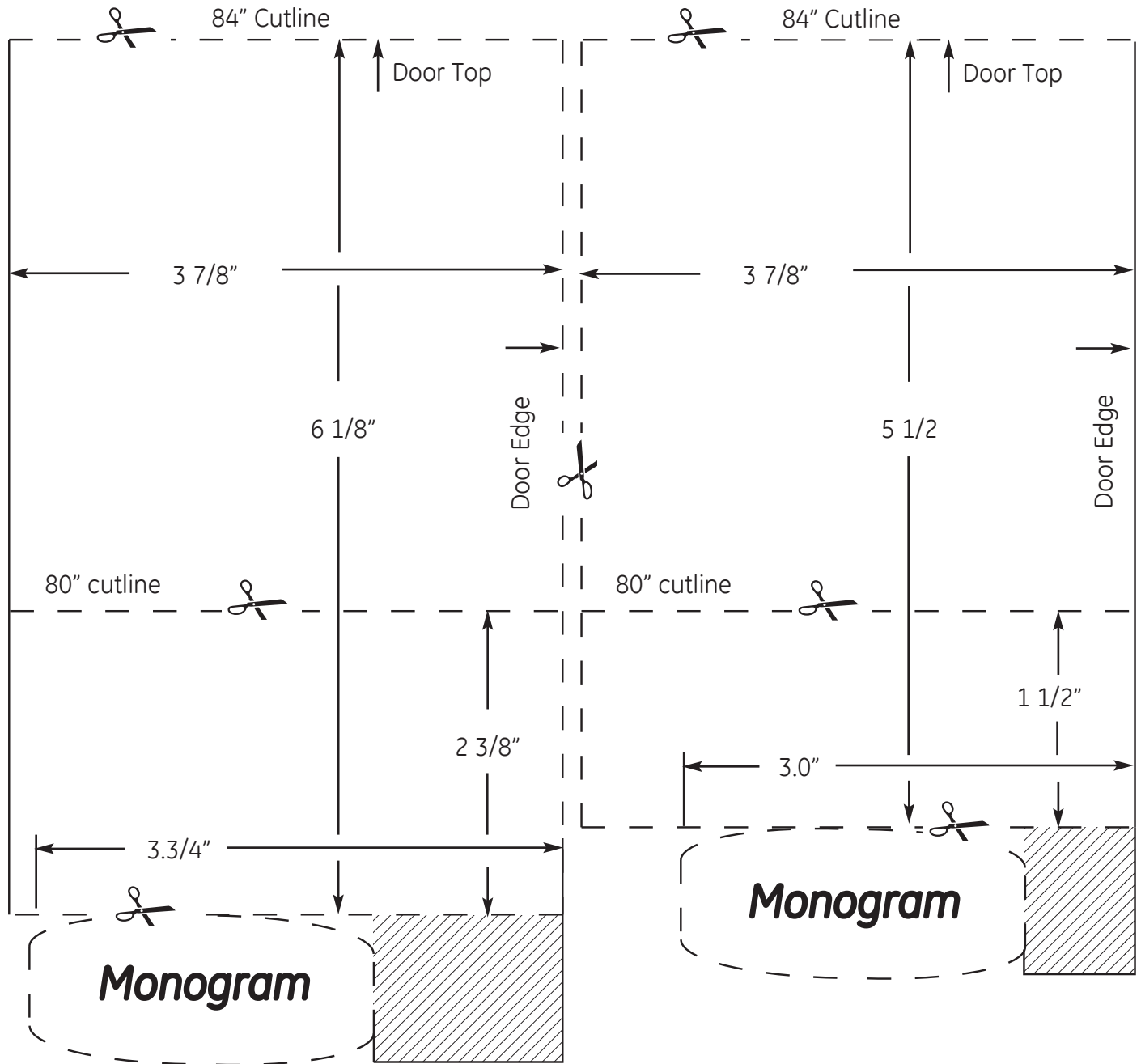
- To turn the icemaker off, press the **ICE** icon. The word **OFF** appears below **ICE** to show that the icemaker is OFF.



Installation Instructions

Professional Panel Badge Template

European Panel Badge Template



- To install badge, cut template that matches the panel style purchased, European or Professional.
 - Trim template for either 80" or 84" panel type.
 - Align template at top corner nearest hinge and place badge.
 - * For hinges on the left, flip template.
- Shaded section should be between door edge & badge.

Notes

Notes

NOTE: While performing installations described in this book, safety glasses or goggles should be worn.

For Monogram® local service in your area, call 1.800.444.1845.

NOTE: Product improvement is a continuing endeavor at General Electric. Therefore, materials, appearance and specifications are subject to change without notice.

Pub. No. 31-46542-3
Part No. 197D8125P002

04-12 GE



GE Consumer & Industrial
Appliances
General Electric Company
Louisville, KY 40225
GEAppliances.com

Consignes de Sécurité

AVANT DE COMMENCER

Lisez ces instructions entièrement et attentivement.

- **IMPORTANT** — Conservez ces instructions pour l'inspecteur local. Respectez tous les codes et règlements en vigueur.
- **Remarque pour l'Installateur** — Assurez-vous de remettre ces instructions au Client.
- **Remarque pour l'Utilisateur** — Conservez ces instructions avec votre notice d'utilisation pour toute référence future.
- **Niveau de compétence** — L'installation de ce réfrigérateur demande des connaissances de base en mécanique, en menuiserie et en plomberie. L'installateur est responsable de l'installation correcte de l'appareil. La panne de l'appareil due à une mauvaise installation n'est pas couverte par la garantie GE Électroménagers. Consultez le manuel d'utilisation pour toute information sur la garantie.

Pour les services locaux Monogram® dans votre secteur, appelez le 1.800.444.1845. Pour les Pièces et Accessoires Monogram, appelez 1.800.626.2002.

www.monogram.com

⚠ AVERTISSEMENT:

Cet appareil doit être correctement connecté à la terre. Se référer à la section « Mise à la terre du réfrigérateur » à la page 5.

Si le réfrigérateur reçu est endommagé, contactez immédiatement votre vendeur ou votre installateur.

⚠ MISE EN GARDE :

A cause de la taille et du poids de ce réfrigérateur ainsi que pour réduire le risque de blessure corporelle ou de dommage au produit, DEUX PERSONNES SONT REQUISES POUR UNE INSTALLATION CORRECTE.

⚠ AVERTISSEMENT:

- Le haut de ces réfrigérateurs est lourd et ils doivent être fixés pour éviter toute possibilité de basculement vers l'avant. Une protection anti-basculement est requise. Voir page 14 pour de plus amples informations.
- N'utilisez cet appareil qu'aux fins prévues.
- Réparez ou remplacez immédiatement tout cordon électrique usé ou endommagé.
- Coupez l'alimentation électrique du réfrigérateur au niveau du disjoncteur avant tout nettoyage ou réparation.
- Les réparations doivent être effectuées par un technicien de service qualifié. AVERTISSEMENT – Frigorigène R600a

⚠ AVERTISSEMENT – Frigorigène R600a

Avertissement : Cet appareil contient un fluide frigorigène isobutane, R600a, un gaz naturel d'une grande compatibilité environnementale. Il s'agit toutefois d'un combustible. Veuillez respecter les avertissements suivants:

- 1) Lors de la manipulation, de l'installation et de l'utilisation de cet appareil, prenez soin de ne pas endommager les tubes de circulation du fluide frigorigène.
- 2) L'entretien doit être effectué par un technicien de service autorisé par le fabricant. Les pièces seront remplacées par des pièces recommandées par le fabricant.
- 3) Les appareils réfrigérants contiennent des fluides frigorigènes qui conformément à la législation fédérale doivent être retirés avant la mise au rebut de l'appareil.
- 4) N'obstruez pas les événements dans l'enceinte prévue pour l'appareil.
- 5) N'utilisez pas d'appareils ou autres moyens mécaniques pour accélérer le processus de dégivrage.
- 6) N'endommagez pas le circuit du fluide frigorigène.
- 7) N'utilisez pas d'appareils électriques dans le compartiment réfrigérateur de cet appareil.

TABLE DES MATIÈRES

Guide de conception

Dimensions de l'enceinte	26
Dimensions du réfrigérateur	27
Emplacement pour le réfrigérateur	28
Mise à la terre du réfrigérateur	26
Dimensions et dégagements	27
Poignées intégrées pour ouverture de la porte à 115°	29
Poignées intégrées pour ouverture de la porte à 90°	30
Poignées professionnelles pour ouverture de la porte à 115°	31
Poignées professionnelles pour ouverture de la porte à 90°	32
Accessoires et dimensions des panneaux en acier inoxydable	33
Dimensions d'un panneau sur mesure de ¾ po	34

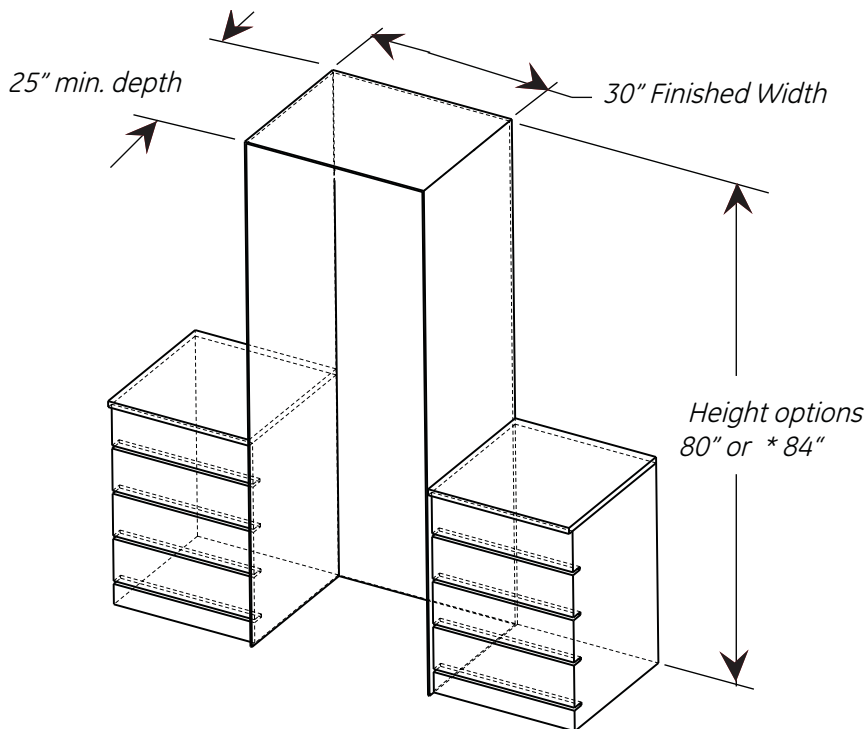
Instructions d'installation

Outils, quincaillerie, matériaux	35
Étape 1, retrait de l'emballage	36
Étape 2, installation de la patte anti-basculement	37
Étape 3, passage du tuyau d'eau	37
Étape 4, branchement de l'alimentation électrique	37
Étape 5, positionnement de l'appareil dans son enceinte	38
Étape 6, installation de la plinthe et de l'évent	38
Étape 7, mise à niveau du réfrigérateur	39
Étape 8, installation de la plinthe et de l'évent	39

Étape 9, installation de la plinthe et de l'évent	40
Étape 10, réglage de l'ouverture de porte	40, 41
Étape 11, installation de la protection de charnière	41
Étape 12, installation des panneaux de porte et de tiroirs	42
Étape 13, mise en marche de la machine à glaçons	43
Gabarits	44
Observation	45

Guide de conception

Dimensions de l'enceinte pour instructions d'installation du réfrigérateur encastré



L'ouverture découpée doit avoir une profondeur minimale de 25 po pour un montage sans renforcement.

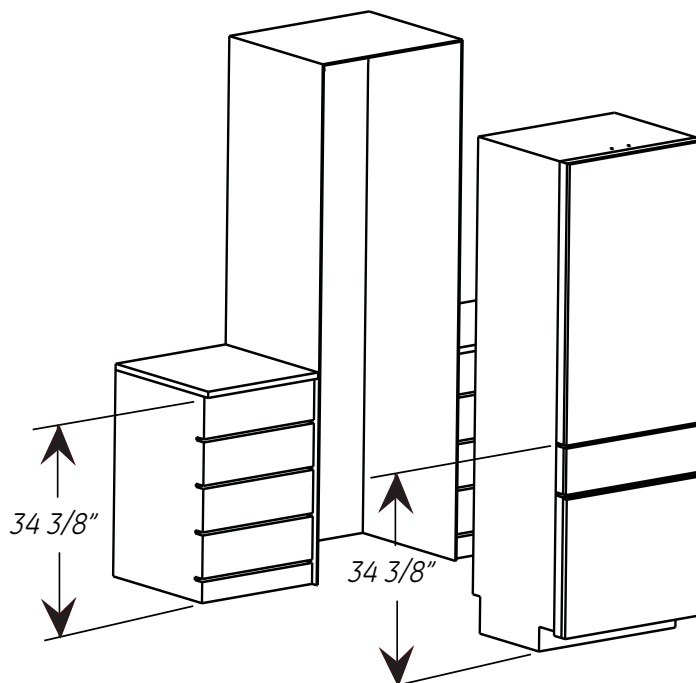
- La face avant du réfrigérateur doit être au même niveau que les meubles adjacents avec une profondeur de 25 po.
- Le réfrigérateur peut s'intégrer dans une enceinte d'une hauteur entre 79 ½ po et 84 ½ po. Toutefois, le réfrigérateur peut seulement être surélevé à une hauteur de 80-3/8 po.
- Le panneau du compartiment réfrigérateur peut être fabriqué de façon à couvrir la hauteur supplémentaire; voir page 10.



Conseil de conception: Nous recommandons de faire terminer la surface intérieure de l'enceinte à une distance minimale de 4 po de la face avant.



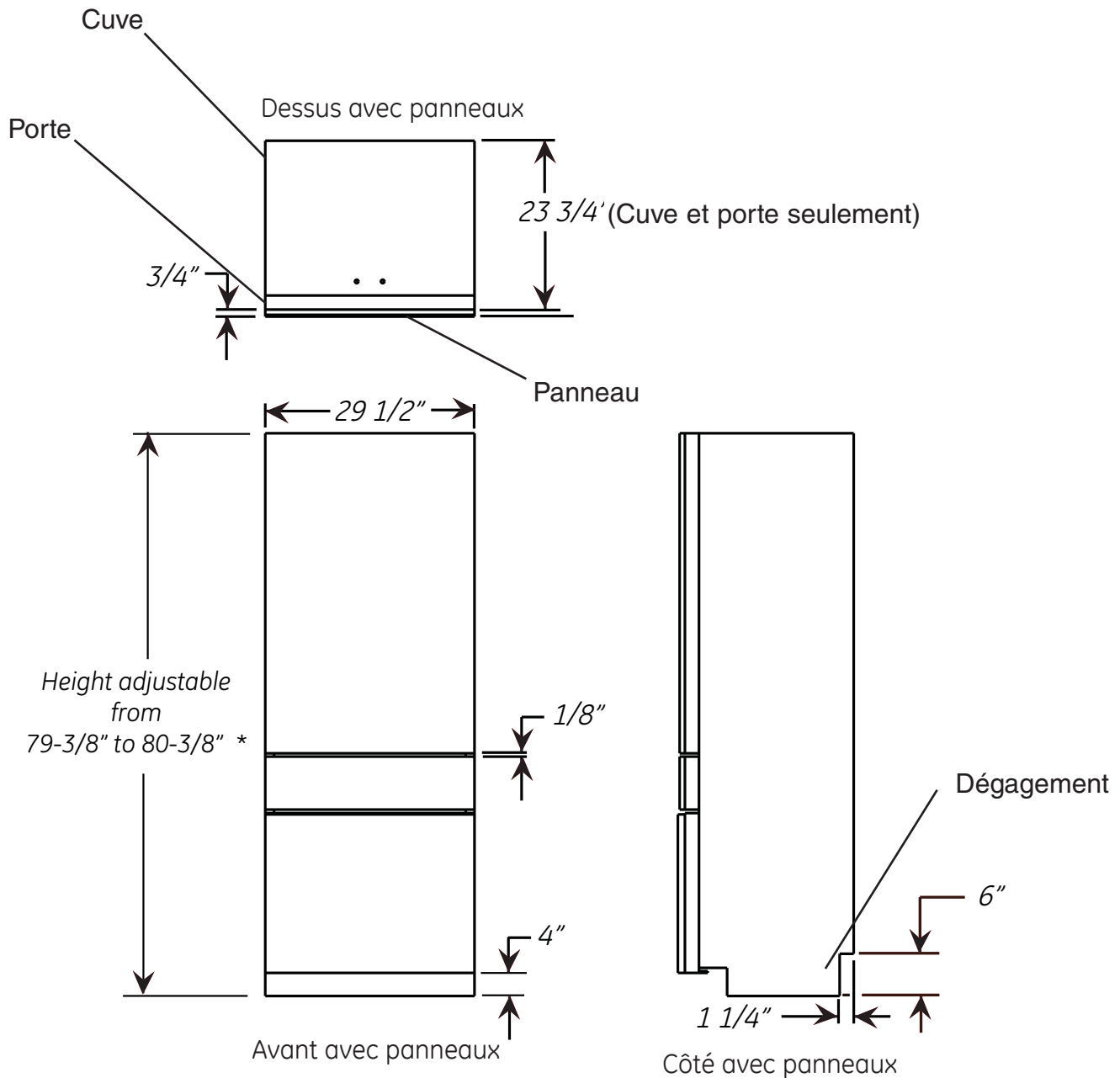
Conseil de conception: Si une enceinte d'une hauteur de 84 po est utilisée, pensez à utiliser une bordure de finition au-dessus de la cuve du réfrigérateur.



Conseil de conception: Il est possible d'aligner le tiroir du réfrigérateur avec le meuble adjacent pour un fini complètement encastré.

Guide de conception

Dimensions du réfrigérateur avec des panneaux de 3/4 po



* Le réfrigérateur peut être adapté pour s'encaster dans une enceinte de 83-3/8 po à 84-3/8 po avec le jeu de panneaux de porte approprié.

Dégagements pour l'installation		
Dessus	Chaque côté	Arrière
1/8po / 3mm	1/4po / 6mm	1/2po / 12mm

Guide de conception

ENCEINTE POUR LE RÉFRIGÉRATEUR

Emplacement des branchements électriques et des branchements à l'alimentation d'eau.

Les alimentations électrique et en eau doivent être placées dans les parties grisées comme indiqué sur le schéma ci-contre.

PRÉPARATION DEL'INSTALLATION

DU TUYAU D'EAU

- Une alimentation d'eau froide est requise pour faire fonctionner la machine à glaçons automatique. La pression de l'alimentation d'eau doit rester dans une gamme de pression entre 40 et 120 p.s.i.
- Faites passer le tuyau d'1/4 po en cuivre ou le tuyau en plastique GE SmartConnect™ entre la conduite d'eau froide du domicile et le raccord de branchement d'eau.
- Le tuyau doit être suffisamment long pour atteindre l'avant du réfrigérateur. Prévoyez une longueur de tuyau suffisante pour prendre en compte la courbe menant au raccord à la conduite d'eau.
- Le tuyau d'eau peut passer par une ouverture dans le sol ou dans le mur du fond.
- Installez un robinet entre le robinet de la machine à glaçons et le tuyau d'alimentation en eau froide du domicile.

REMARQUE:

- Le robinet doit être placé dans un endroit facilement accessible. Il n'est pas recommandé de le placer derrière l'appareil à cause de l'accès difficile. S'il est nécessaire d'installer un robinet derrière l'appareil, il doit être installé dans les zones grisées du schéma.
- Les robinets de type vanne à étrier sont souvent inclus dans les trousse de branchement de l'alimentation d'eau, mais ne sont pas recommandés pour cette application.
- Les seuls tuyaux en plastique autorisés par GE sont fournis avec la trousse de tuyauterie pour réfrigérateur GE SmartConnect™. N'utilisez pas d'autres tuyaux d'alimentation d'eau en plastique, cette ligne étant sous pression en permanence. Certains types de plastique peuvent se fissurer ou se rompre avec le vieillissement et causer des dégâts d'eau dans votre maison. Les trousse de tuyauterie pour réfrigérateur GE SmartConnect™ sont disponibles dans les longueurs suivantes:

6 pi (1,8 m) WX08X10006, 15 pi (4,6 m) WX08X10015 & 25 pi (7,6 m) WX08X10025

- L'installation sera conforme aux codes de plomberie 248CMR du Commonwealth du Massachusetts. L'utilisation de robinets-vannes à étrier est interdite au Massachusetts. Demandez l'avis de votre plombier qualifié. Emplacement pour la patte anti-basculement. N'obstruez pas cette zone. Branchement électrique et branchement à l'alimentation d'eau. Vue de face de l'enceinte d'installation

Caractéristiques électriques

- Une alimentation électrique de 115 volts, 60 Hz et de 15 à 20 ampères est demandée. L'utilisation d'un circuit de dérivation individuel correctement mis à la terre ou d'un disjoncteur est recommandée.
- Installez un boîtier électrique à 3 fiches correctement branché à la terre et encastré dans le mur du fond. La prise électrique doit être située sur le mur du fond comme indiqué.

REMARQUE: L'utilisation d'un disjoncteur de fuite de terre n'est pas recommandée.

MISE À LA TERRE DU RÉFRIGÉRATEUR

IMPORTANT—(À lire attentivement)

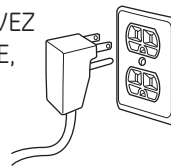
POUR DES RAISONS DE SÉCURITÉ, CET APPAREIL DOIT ÊTRE CORRECTEMENT MIS À LA TERRE.

Le cordon d'alimentation de cet appareil est équipé d'une fiche à trois broches (pour une mise à la terre) qui s'adapte à la prise de courant standard à 3 broches (pour une mise à la terre) pour minimiser les risques de chocs électriques par cet appareil. Faites vérifier la prise murale et le circuit électrique par un électricien qualifié pour s'assurer que le système est correctement mis à la terre.

Dans le cas d'une prise biphasée, l'installateur a la responsabilité et l'obligation de la remplacer par une prise triphasée correctement mise à la terre.

Si une prise murale standard 2-broches, il est de votre responsabilité personnelle et l'obligation de la faire remplacer par une prise murale à 3 broches mise à la terre.

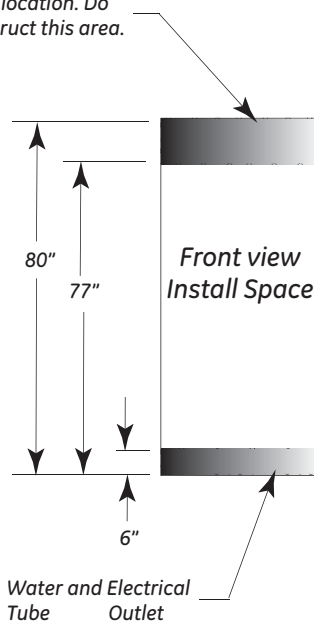
NE COUPEZ PAS OU N'ENLEVEZ PAS, SOUS AUCUN PRÉTEXTE, LA TROISIÈME BROCHE DE MISE À LA TERRE DU CORDON D'ALIMENTATION.



N'UTILISEZ PAS D'ADAPTATEUR POUR BRANCHER LE RÉFRIGÉRATEUR À UNE PRISE BIPHASÉE.

N'UTILISEZ PAS DE RALLONGE AVEC CET APPAREIL.

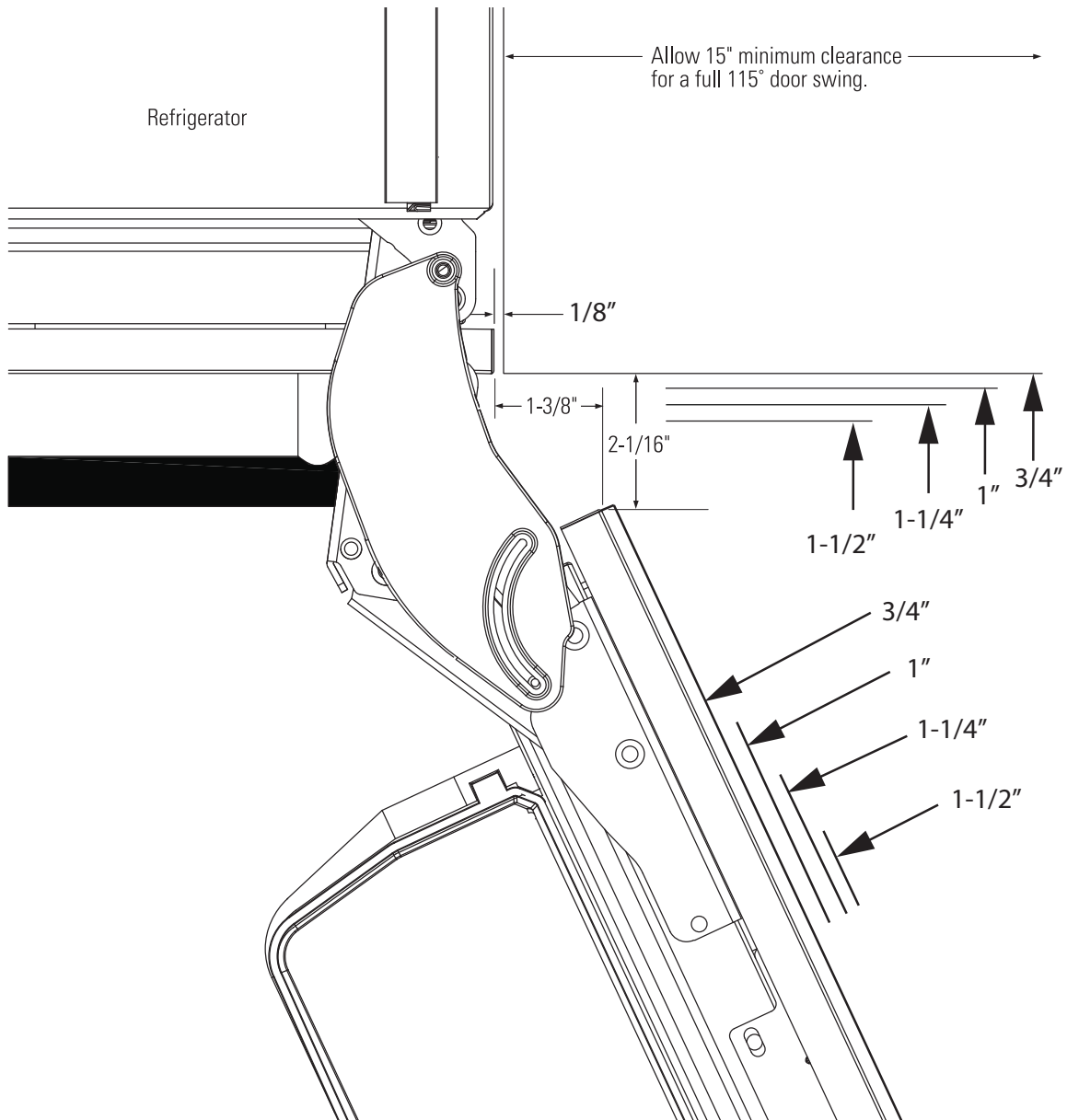
Anti-Tip location. Do not obstruct this area.



Guide de conception

Dégagements

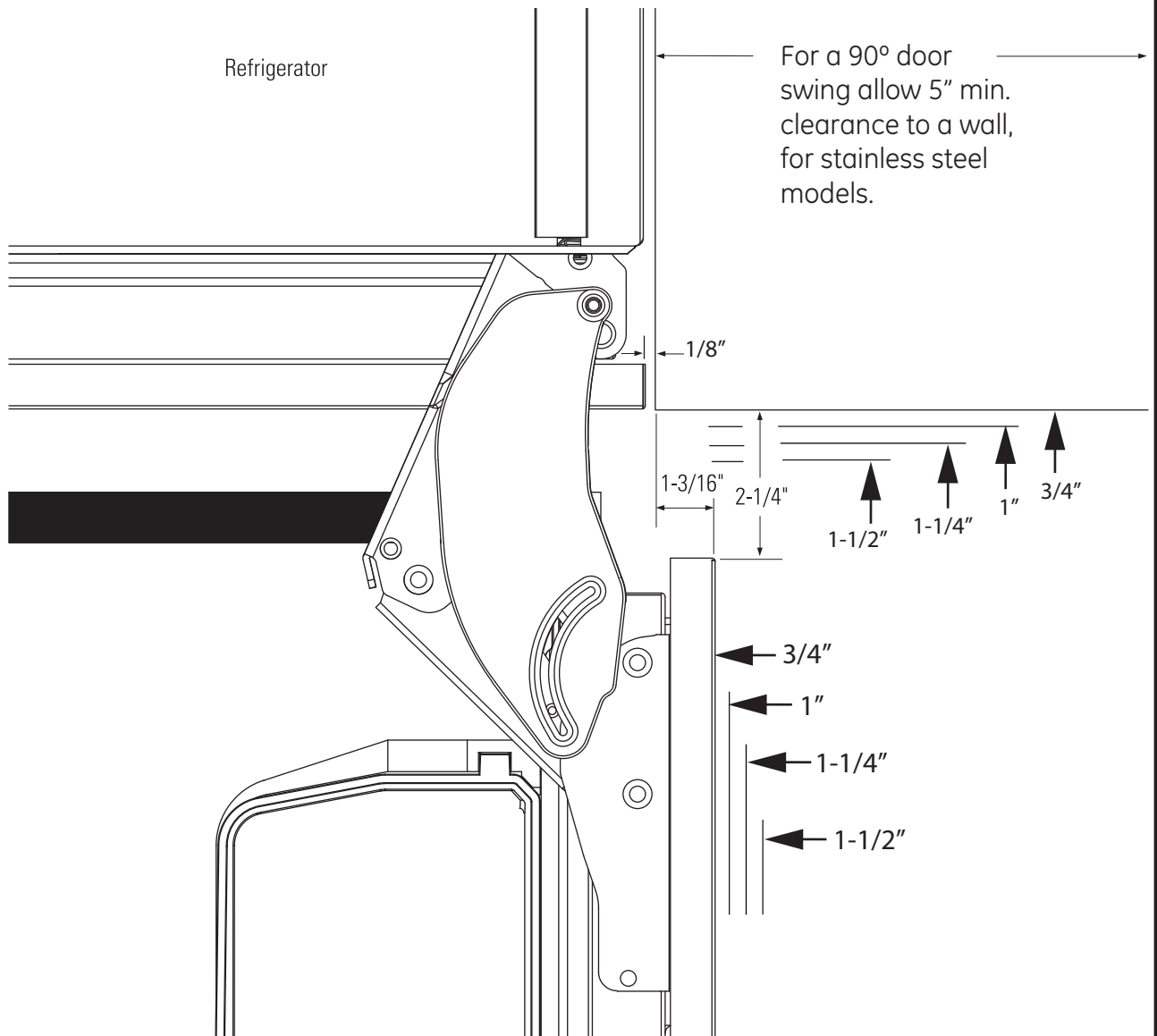
Ces réfrigérateurs sont équipés d'une butée de porte à deux positions. L'ouverture de porte réglée en usine à 115° peut être réduite à 90° si les dégagements par rapport aux meubles ou murs adjacents sont restreints. Ouverture de la porte à 90°, voir page 7



Panneaux européens en acier
inoxydable ou sur mesure Coupe
horizontale OUVREURE DE PORTE À
115° (réglage d'usine)

Non à l'échelle

Guide de conception



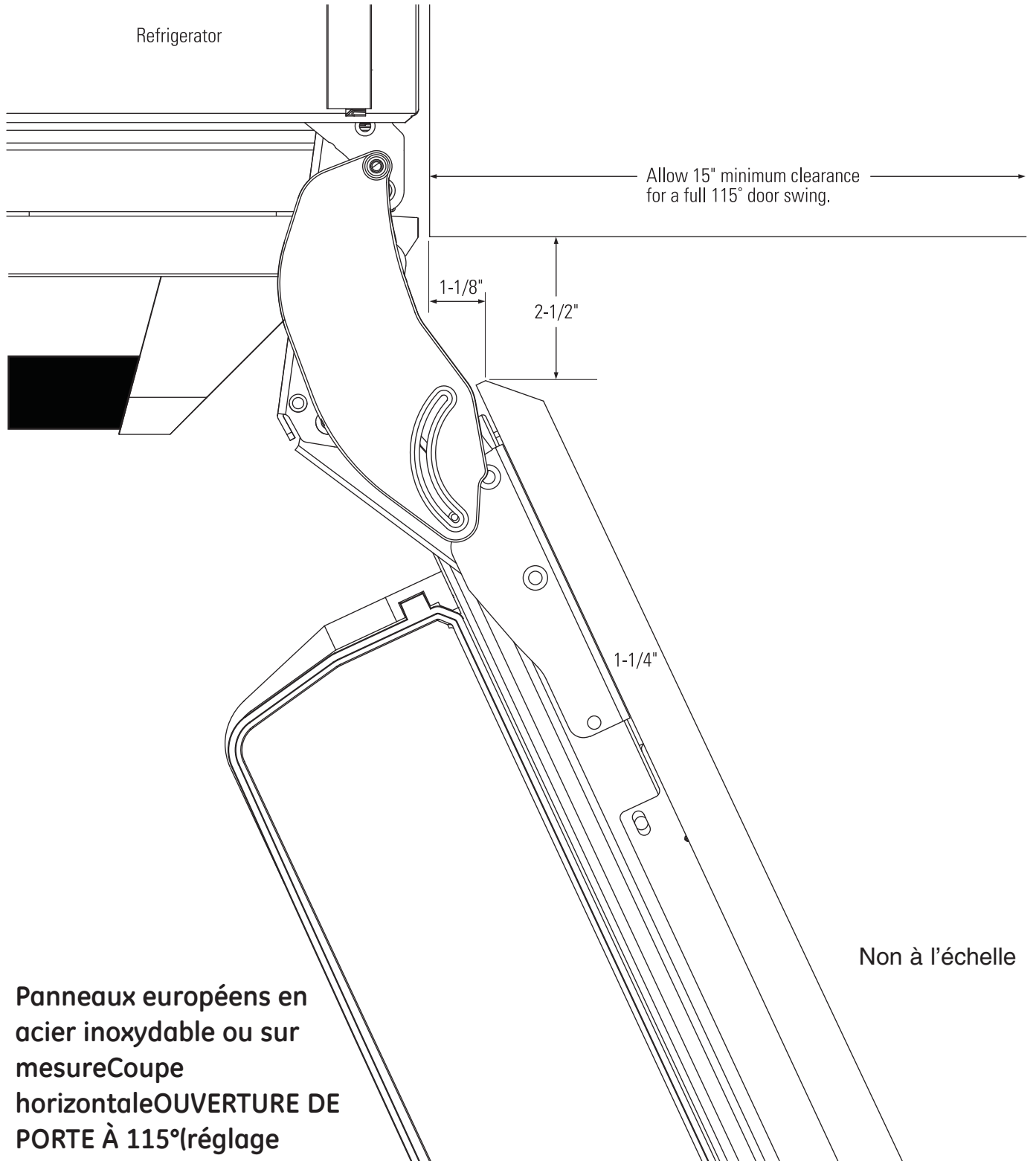
Panneaux européens en acier
inoxydable ou sur mesure Coupe
horizontale OUVERTURE DE PORTE À
90°(réglages en option)

Non à l'échelle

Guide de conception

Dégagements

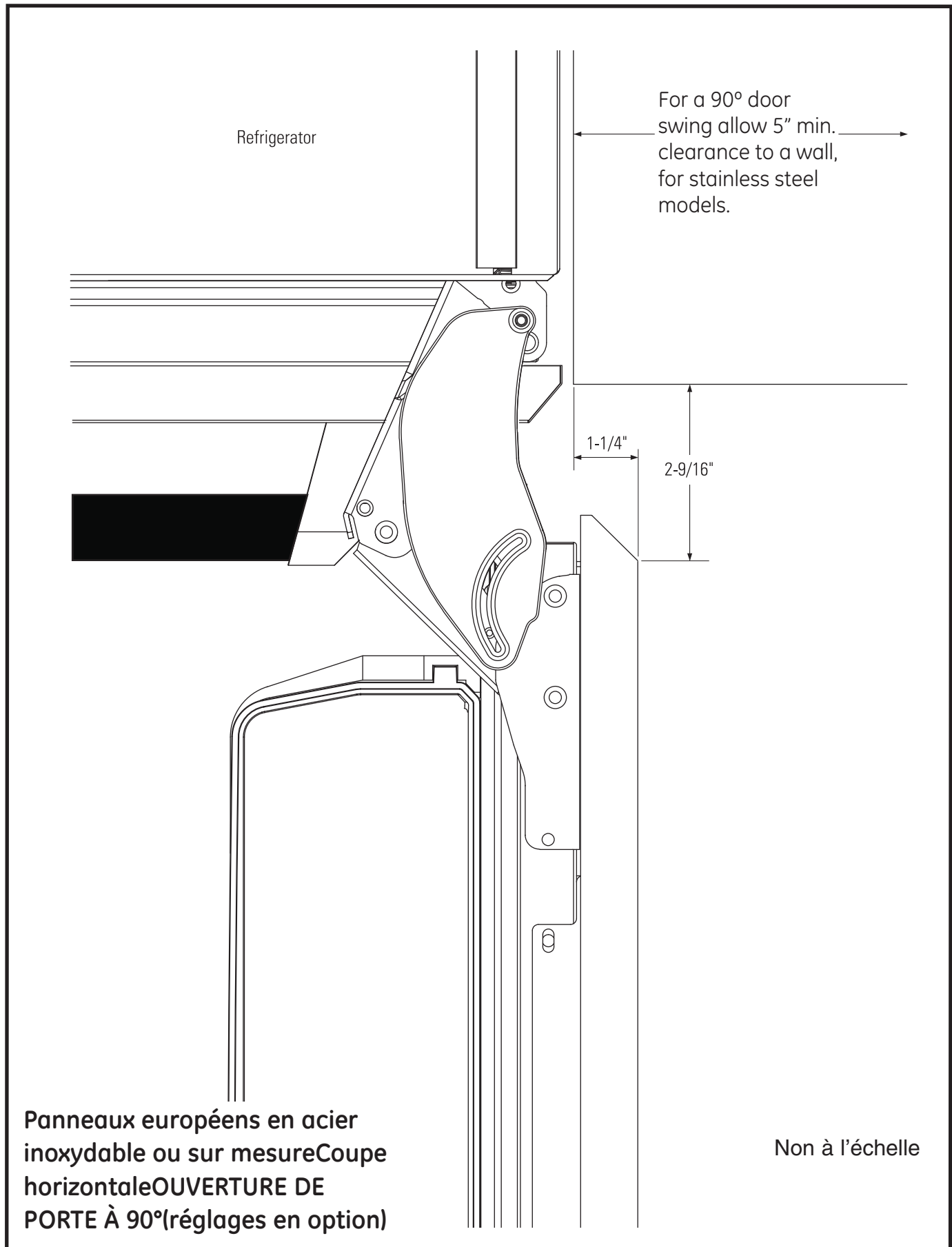
Ces réfrigérateurs sont équipés d'une butée de porte à deux positions. L'ouverture de porte réglée en usine à 115° peut être réduite à 90° si les dégagements par rapport aux meubles ou murs adjacents sont restreints. Ouverture de la porte à 90°, voir page 9



Non à l'échelle

Panneaux européens en
acier inoxydable ou sur
mesure Coupe
horizontale OUVERTURE DE
PORTE À 115° (réglage
d'usine)

Guide de conception



Guide de conception

ACCESSOIRES ET DIMENSIONS DES PANNEAUX EN ACIER INOXYDABLE

Option : panneau de porte massif de 3/4 po d'épaisseur

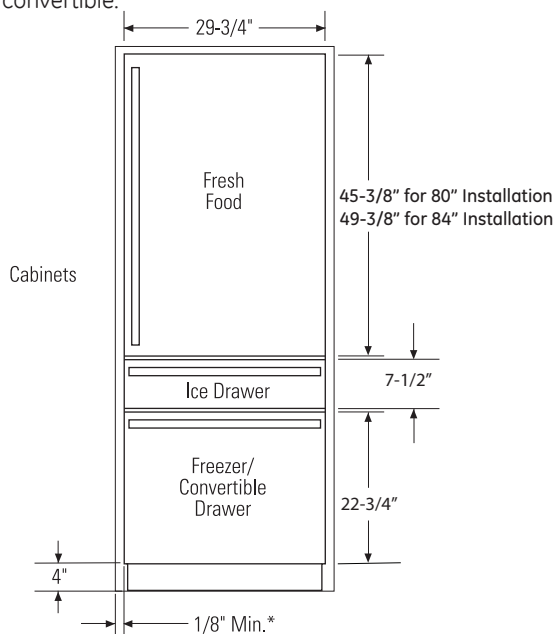
Pour une installation d'une hauteur de 80 po

- Encastré –Modèle de panneau ZKST300N, possibilité de poignée à gauche ou à droite
- Professionnel –Modèle de panneau ZKSP300N, possibilité de poignée à gauche ou à droite

Pour une installation d'une hauteur de 84 po (Le panneau de porte n'est pas réversible pour les installations à 84 po. Il est nécessaire d'acheter un autre accessoire de panneau de porte pour poignée à gauche ou à droite.)

- Encastré avec poignée gauche - Modèle ZKST304NLH
- Encastré avec poignée droite - Modèle ZKST304NRH
- Professionnel avec poignée gauche -Modèle ZKSP304NLH
- Professionnel avec poignée droite -Modèle ZKSP304NRH

REMARQUE: Chaque trousse contient également des panneaux, des poignées et une plinthe assortis pour le congélateur et le tiroir convertible.



*Il doit y avoir un dégagement minimum d'1/8 po entre les panneaux et les meubles de cuisine adjacents.

Option : Cadre de 3/4 po d'épaisseur pour porte en verre

Pour une installation d'une hauteur de 80 po

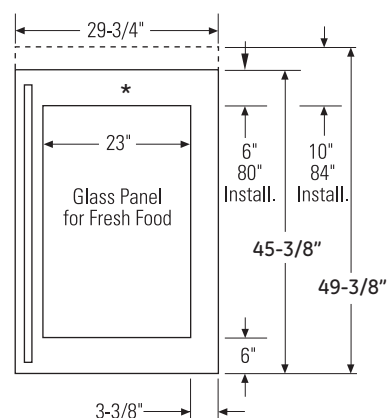
• Encastré – Modèle ZKGT300N, possibilité de poignée à gauche ou à droite

• Professionnel –Modèle ZKGP300N, possibilité de poignée à gauche ou à droite

Pour une installation d'une hauteur de 84 po (Le panneau de porte n'est pas réversible pour les installations à 84 po. Il est nécessaire d'acheter un autre accessoire de panneau de porte pour poignée à gauche ou à droite.)

- Encastré avec poignée gauche - Modèle ZKGT304NLH
- Encastré avec poignée droite - Modèle ZKGT304NRH
- Professionnel avec poignée gauche -Modèle ZKGP304NLH
- Professionnel avec poignée droite -Modèle ZKGP304NRH

REMARQUE: Chaque option contient également des panneaux, des poignées et une plinthe assortis pour le congélateur et le tiroir convertible.



*Les fenêtres de type Pro sont légèrement plus petites..

Accessoires en option #:

- Trousse d'installation côte-à-côte -ZUG30
- Trousse poignée européenne - (3 poignées) - WR12X10988 (peut être achetée auprès du service GE Parts)

Guide de conception

DIMENSIONS D'UN PANNEAU SUR MESURE DE 3/4 po Installation totalement encastrée de 80 po de hauteur

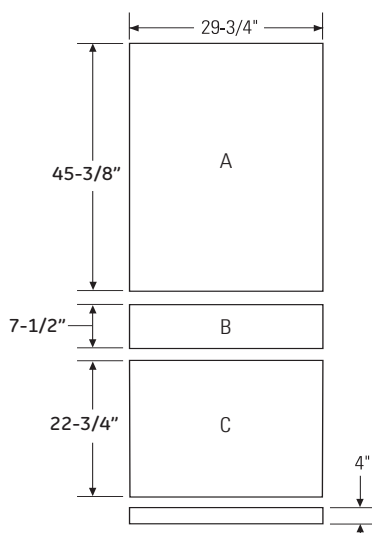
En cas d'installation de panneaux sur mesure, ceux-ci doivent être coupés aux dimensions indiquées. Les panneaux se fixeront à la porte et aux tiroirs à l'aide d'un système de crochets et de pattes.

TRÈS IMPORTANT: panneaux en bois sur mesure doit être d'au moins 3/4" d'épaisseur où les crochets et le matériel de fixation sont attachés Reportez-vous à des modèles pour le crochet et le lieu de fixation.

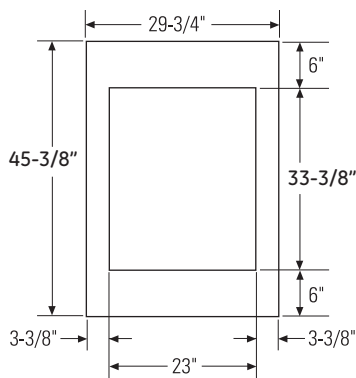
REMARQUE: Ce produit est conçu pour être utilisé avec des panneaux en bois de 3/4 po. Dimensions maximales de l'ouverture pour une vitre en verre : 33-3/8 po x 23 po. L'ouverture peut être plus petite si vous le souhaitez.

L'insertion des panneaux est requise là où il y a présence de crochets et de fixations installés aux panneaux

PANNEAUX POUR PORTES ET TIROIRS MASSIFS



PANNEAUX POUR PORTE EN VERRE



REMARQUE IMPORTANTE: Poids maximal du panneau:

A Panneau de porte du compartiment réfrigérateur : 33 livres (15 kg).

B Panneau du tiroir congélateur : 9 livres (4 kg).

C Panneau du tiroir convertible : 19 livres (9 kg).

*Les styles doivent être d'au moins 3-3/8 po pour recouvrir le cadre de porte en aluminium.



Conseil de conception: Une partie de chaque panneau sera visible du côté intérieur de l'appareil. Il est recommandé que la finition soit faite de chaque côté du panneau.



Conseil de conception: En cas d'utilisation de panneaux sur mesure, il est important de penser à une plinthe sur mesure. Le bas de la cuve est de couleur blanche.

DIMENSIONS D'UN PANNEAU SUR MESURE DE 3/4 po: Installation totalement encastrée de 84 po de hauteur

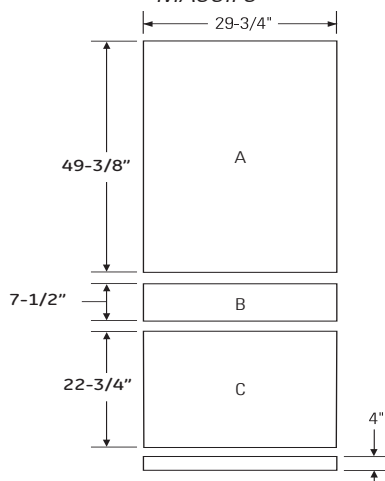
En cas d'installation de panneaux sur mesure, ceux-ci doivent être coupés aux dimensions indiquées. Les panneaux se fixeront à la porte et aux tiroirs à l'aide d'un système de crochets et de pattes.

TRÈS IMPORTANT: panneaux en bois sur mesure doit être d'au moins 3/4" d'épaisseur où les crochets et le matériel de fixation sont attachés Reportez-vous à des modèles pour le crochet et le lieu de fixation.

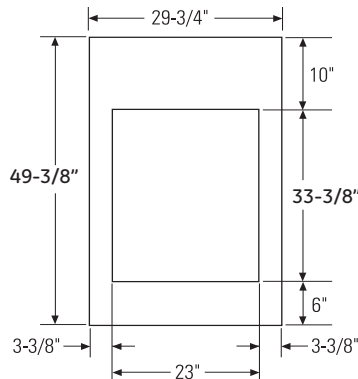
REMARQUE: Ce produit est conçu pour être utilisé avec des panneaux en bois de 3/4 po. Dimensions maximales de l'ouverture pour une vitre en verre : 33-3/8 po x 23 po. L'ouverture peut être plus petite si vous le souhaitez.

L'insertion des panneaux est requise là où il y a présence de crochets et de fixations installés aux panneaux

PANNEAUX POUR PORTES ET TIROIRS MASSIFS



PANNEAUX POUR PORTE EN VERRE



REMARQUE IMPORTANTE: Poids maximal du panneau:

A Panneau de porte du compartiment réfrigérateur : 33 livres (15 kg)

B Panneau du tiroir congélateur : 9 livres (4 kg)

C Panneau du tiroir convertible : 19 livres (9 kg)

*Les styles doivent être d'au moins 3-3/8 po pour recouvrir le cadre de porte en aluminium.



Conseil de conception: Une partie de chaque panneau sera visible du côté intérieur de l'appareil. Il est recommandé que la finition soit faite de chaque côté du panneau.



Conseil de conception: En cas d'utilisation de panneaux sur mesure, il est important de penser à une plinthe sur mesure. Le bas de la cuve est de couleur blanche.

Instructions d'installation

OUTILS REQUIS

- Clé Allen de 5/32 po
- Couteau à lame rétractable
- Escabeau
- Seau
- Niveau
- Diable
- Coupe-tube
- Clé anglaise de 7/16 po
- Clé anglaise de 1-1/4 po
- Tournevis Phillips cruciforme #2
- Perceuse et jeu de forets
- Douille 5/16 po
- Lunettes de sécurité
- Pincés
- Cliquet 3/8 po
- Torx T-20, T-30 clé

QUINCAILLERIE FOURNIE

- Patte anti-basculement et vis
- Pattes de montage des panneaux
- Gabarits de panneau de porte - Pub # 31-46543
- Filtre à eau - Pièce # GSWF
- Brides d'ancrage et vis pour cloison sèche

ÉQUIPEMENT REQUIS

- Tuyau d'alimentation d'eau en cuivre d' ¼ po ou trousse pour réfrigérateur GE SmartConnect™
- Robinet d'arrêt d'eau
- Panneaux sur mesure pour la porte du compartiment réfrigérateur, pour le tiroir congélateur et pour le tiroir convertible
- Velcro avec côté adhésif pour la plinthe sur mesure.

SOL

Pour obtenir une installation correcte, le réfrigérateur doit être placé sur une surface horizontale en matériau dur qui est au même niveau que le reste du sol. Cette surface doit être suffisamment solide pour supporter le poids d'un réfrigérateur rempli, soit environ 1,200 livres (550 kg).

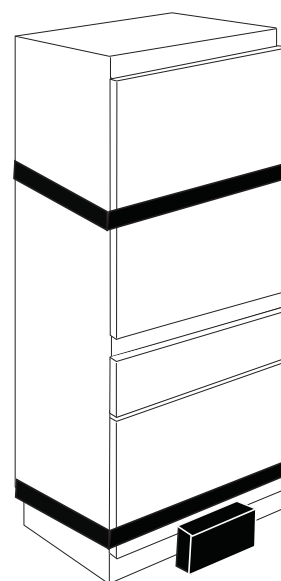
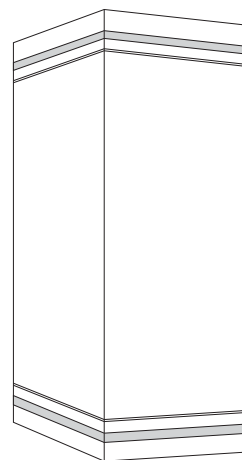
REMARQUE: Protégez la finition du sol. Découpez un grand morceau de carton et placez-le sous le réfrigérateur sur l'aire de travail.

Instructions d'installation

ÉTAPE 1 RETRAIT DE L'EMBALLAGE

⚠ MISE EN GARDE: LE HAUT DE VOTRE RÉFRIGÉRATEUR EST LOURD. FAITES ATTENTION EN LE DÉPLAÇANT.

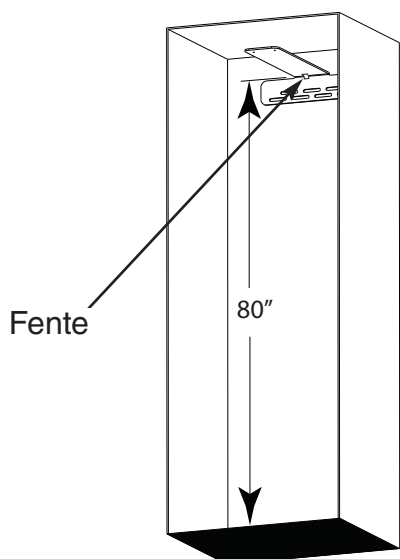
- Coupez les courroies et le ruban adhésif sur le haut et sur le bas de l'emballage à l'aide d'un couteau à lame rétractable.
- Dépliez le carton d'emballage et retirez le haut de l'emballage.
- Retirez le reste de l'emballage en le faisant glisser de l'appareil. Vous pouvez utiliser un couteau polyvalent pour retirer le reste du carton d'emballage EN PRENANT SOIN de ne pas rayer l'appareil.
- Retirez les supports en Styrofoam de l'appareil.
- **NE retirez PAS la courroie maintenant la porte ou la partie inférieure avant que l'appareil ne soit prêt à être installé dans son enceinte.**
- Découpez la palette en PSE sur les côtés avant par l'arrière de l'appareil.
- Poussez l'appareil vers l'avant et retirez la partie arrière de la palette en PSE.
- Posez doucement l'arrière de l'appareil sur le sol.
- Penchez légèrement l'appareil vers l'arrière et retirez la partie avant de la palette en PSE.
- Mettez correctement au rebut les matériaux d'emballage non-utilisés.
- Il est maintenant possible pour 2 personnes de déplacer l'appareil à l'aide du diable ou de le faire rouler jusqu'à un emplacement au sol correctement protégé.
- Laissez tout film protecteur sur le réfrigérateur jusqu'à la fin de l'installation.



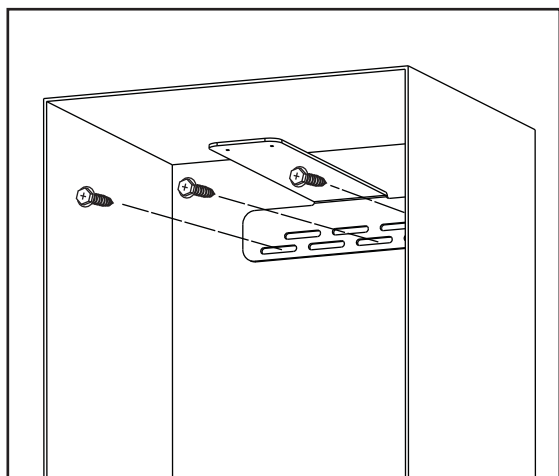
Instructions d'installation

ÉTAPE 2 INSTALLATION DE LA PATTE ANTI-BASCULEMENT

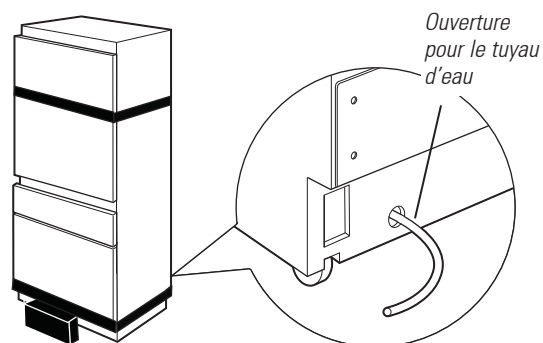
- La partie supérieure interne de la patte anti-basculement doit être installée à une hauteur de 80 po. La « fente » dans la patte doit être placée au centre de l'espace d'installation (typiquement 15 po)
- Marquez (au niveau des fentes) les positions des montants et des ancrages sur les pattes.



- Fixez la patte en utilisant les montants et des ancrages.
- **Au moins un des** montants doit être utilisé. Toutefois, utilisez autant de montants possibles au sein de l'ouverture. Au moins trois fixations doivent être utilisées pour une installation correcte.



ÉTAPE 3 CONNECT CONDUITE D'EAU



- Placez l'appareil devant l'enceinte.
- Localisez et amenez le tuyau vers l'avant du meuble de cuisine.
- Ouvrez le robinet d'eau pour éliminer les débris dans le tuyau. Faites couler environ 1 litre d'eau dans le tuyau, recueillez l'eau dans un seau puis fermez le robinet.

Si besoin est, coupez le tuyau à la longueur requise pour qu'il puisse être connecté au robinet d'eau.

Tuyau en cuivre:

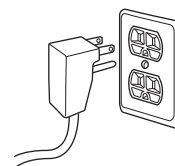
- Faites passer un écrou et un embout d'1/4 po par-dessus les deux extrémités du tuyau en cuivre. Insérez le tuyau dans le raccord union sur l'appareil et serrez l'écrou.
- Ouvrez le robinet d'eau pour vérifier l'absence de fuites.

Tuyau GE SmartConnect™:

- Insérez l'extrémité moulée du tube dans le raccord du réfrigérateur. Serrez l'écrou de compression à la main.
- Serrez un tour supplémentaire avec la clé. Des fuites peuvent survenir si l'écrou est trop serré !
- Ouvrez le robinet d'eau pour vérifier l'absence de fuites.

ÉTAPE 4 BRANCHEMENT DE L'ALIMENTATION ÉLECTRIQUE

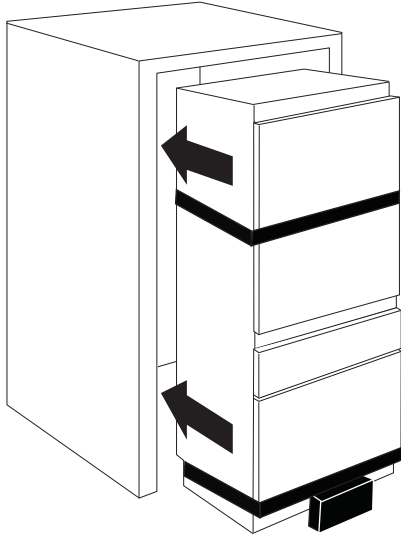
- Branchez le cordon d'alimentation dans la prise.
- Vérifiez que le réfrigérateur soit bien branché en ouvrant le bac à glaçons (la porte FF sera fermée par une courroie) pour vérifier que les lumières intérieures sont allumées.
- Les commandes de température sont pré réglées sur 37°F (3°C) pour le réfrigérateur et sur 0°F (-18°C) pour le tiroir du compartiment de congélation et du tiroir convertible.
- Attendez 24 heures que la température se stabilise avant de faire les réglages.



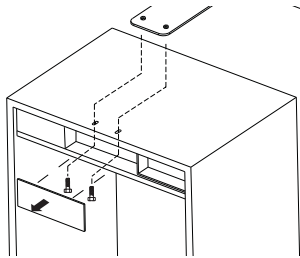
Instructions d'installation

ÉTAPE 5 POSITIONNEMENT DE L'APPAREIL DANS SON ENCEINTE

Faites rouler l'appareil dans son enceinte, en s'assurant de ne pas accrocher le tuyau d'eau ou le câble d'alimentation.



- Une longue barre plate ou une règle de trente-six pouces sera peut-être nécessaire pour guider le bord avant de la patte anti-basculement par-dessus l'appareil.
- S'il y a assez de place, vous pouvez légèrement courber le bord avant de la patte vers le haut, permettant ainsi le passage de l'appareil.

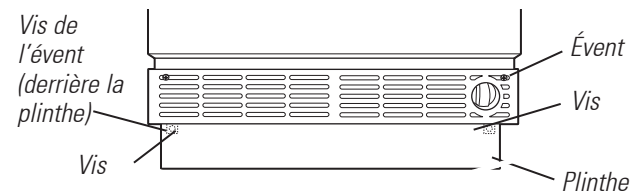


- Retirez la protection de la garniture de l'appareil.
- Fixez l'appareil à la patte anti-basculement à l'aide des vis de mécanique et des rondelles pour enfiler les douilles filetées dans la patte anti-basculement.
- Commencez à visser les vis à la main jusqu'à ce que l'appareil soit dans la position désirée dans l'enceinte.
- Finalisez l'installation en serrant les vis complètement.
- Réinstallez la protection de la garniture.

ÉTAPE 6 INSTALLATION DE LA PLINTHE ET DE L'ÉVENT

La plinthe doit être enlevé pour accéder à la legstyle nivellement

- Retirez la partie pleine de la plinthe en la tirant vers l'avant.
- Placez la plinthe, l'évent et les vis à l'écart pour une réinstallation future.
- Faites passer le tuyau d'eau par l'appareil jusqu'à ce qu'il sorte par l'avant.
- Fixez le tuyau au sol à l'aide de ruban adhésif en attendant que l'appareil soit placé dans l'enceinte.

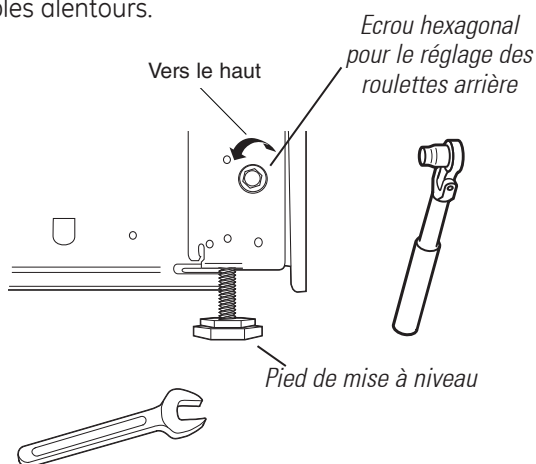


Instructions d'installation

ÉTAPE 7 MISE À NIVEAU DU RÉFRIGÉRATEUR

Tous les modèles possèdent quatre points de mise à niveau. L'avant est soutenu par des pieds de mise à niveau, l'arrière par des roulettes réglables. Les deux sont accessibles par l'avant du réfrigérateur.

- Pour mettre à niveau l'arrière du réfrigérateur, tournez l'écrou hexagonal de 5/16 po situé au-dessus des roulettes avant. Tournez dans le sens des aiguilles d'une montre pour relever le réfrigérateur et dans le sens inverse des aiguilles d'une montre pour l'abaisser.
- Pour mettre l'avant de niveau, utilisez une clé plate de 1 ¼ po.
- Réglez la hauteur du réfrigérateur pour correspondre à l'ouverture découpée pour l'installation. Le réfrigérateur doit être de niveau et d'aplomb avec les meubles alentours.



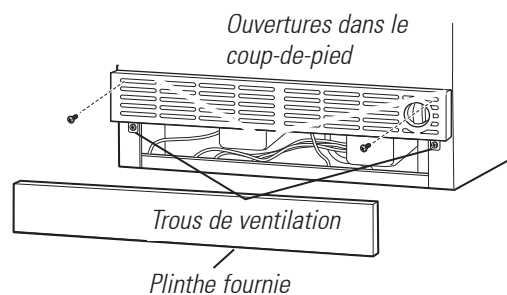
⚠ MISE EN GARDE:

Les roulettes arrière et les pieds avant de mise à niveau sont limités à un réglage d'une hauteur maximale de 1 po. Si l'installation demande une hauteur supérieure à 84 ½ po, l'installateur doit surélever le réfrigérateur à l'aide d'une plaque de contreplaqué ou des patins. Il est également possible d'ajouter une moulure de meuble sur le haut de l'ouverture pour réduire cette dernière.

Toute tentative de surélévation du réfrigérateur de plus d'1 po va endommager les pieds avant et les roulettes arrière de mise à niveau.

ÉTAPE 8 INSTALLATION DE LA PLINTHE ET DE L'ÉVENT

- Localisez la plinthe, l'évent et les vis (retirés précédemment).
- Une plinthe sur mesure peut être installée pour être assortie ou pour compléter les meubles alentours. Utilisez la plinthe fournie comme modèle pour découper la forme.
- Réinstallez l'évent à l'aide des vis retirées précédemment.
- Réinstallez la plinthe.



Instructions d'installation

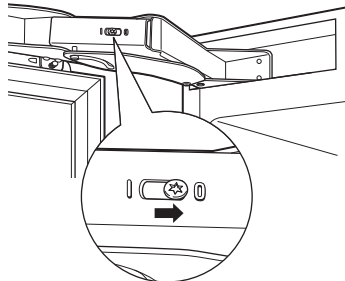
ÉTAPE 9 INVERSION DE L'OUVERTURE DE PORTE (si nécessaire)

Sautez cette étape si l'ouverture de la porte est satisfaisante.

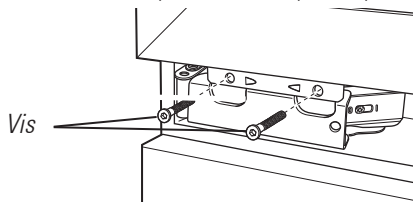
1. Ouvrez la porte du réfrigérateur.

AVERTISSEMENT: L'ÉTAPE SUIVANTE EST IMPORTANTE POUR LA MANIPULATION EN TOUTE SÉCURITÉ D'UNE CHARNIÈRE NON CHARGÉE NE SAUTEZ PAS L'ÉTAPE 2.

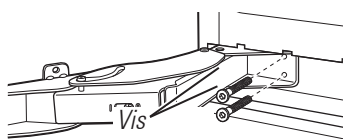
2. Libérez les ressorts de la charnière en utilisant une clé Torx T-20 pour desserrer la vis Torx de la position 1 à la position 0 sur les deux charnières.



3. A l'aide d'une clé hexagonale de type Allen de 5/32 po, retirez les deux vis de chaque charnière qui maintiennent la porte sur le réfrigérateur. Demandez à quelqu'un de tenir la porte pendant que vous retirez ces vis pour éviter que la porte ne tombe.

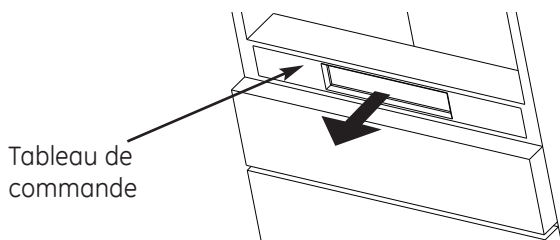


4. Ouvrez les charnières. A l'aide d'une clé hexagonale de type Allen de 5/32 po, retirez les deux vis de chaque charnière qui maintiennent la charnière sur la cuve du réfrigérateur.



5. Retirez la garniture et le compartiment de charnière du haut du réfrigérateur et installez-les sur le côté opposé.

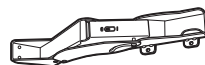
6. Retirez la garniture et le compartiment de charnière du bas du compartiment réfrigérateur. Retirez le tableau de commande et placez-le délicatement dans le tiroir FZ.



7. Réinstallez le tableau de commande.

ÉTAPE 9 INVERSION DE L'OUVERTURE DE PORTE (suite)

8. Les charnières seront installées dans les coins opposés. La charnière supérieure sera retournée et installée sur le bas du compartiment réfrigérateur. La charnière inférieure sera retournée et installée sur le haut du compartiment réfrigérateur.

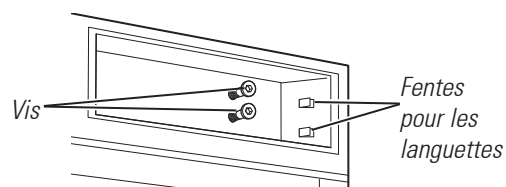


Charnière supérieure

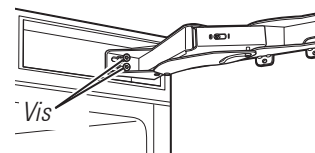


Charnière inférieure

9. Installez les vis sur la cuve du compartiment réfrigérateur aux 4 endroits. Vissez-les jusqu'à mi-course.

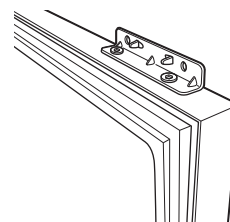


10. Pour installer la charnière supérieure, placez la charnière dans le bon sens - la partie du support qui sera fixée à la porte doit être sur le bas de la charnière. Faites glisser la charnière sur les vis et placez les languettes dans le compartiment de la charnière. Serrez les vis.



11. Pour installer la charnière inférieure, placez la charnière dans le bon sens - la partie du support qui sera fixé à la porte doit être sur le haut de la charnière. Faites glisser la charnière sur les vis et placez les languettes dans le compartiment de la charnière. Serrez les vis. Fermez la charnière.

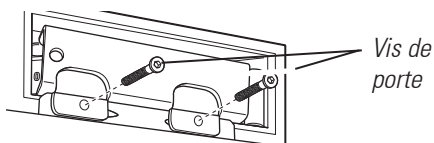
12. Retirez les supports de la charnière de la porte et réinstallez-les sur le côté opposé, en haut et en bas.



Instructions d'installation

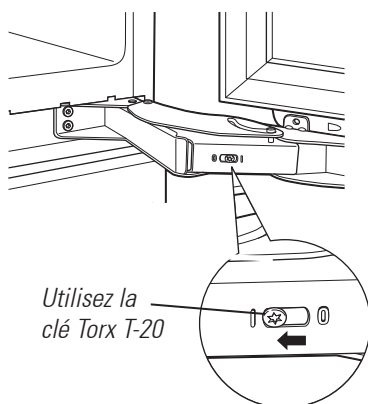
ÉTAPE 9 INVERSION DE L'OUVERTURE DE PORTE (suite)

13. Avec l'aide d'une deuxième personne pour maintenir la porte en place, alignez les trous dans le support de la charnière de porte avec ceux dans la charnière. Placez d'abord les vis dans la charnière supérieure.



14. Installez ensuite les vis sur la charnière inférieure.

15. A l'aide d'une clé Torx T-20, resserrez la tension sur les ressorts de la charnière en tournant les vis de la position 0 à la position 1.

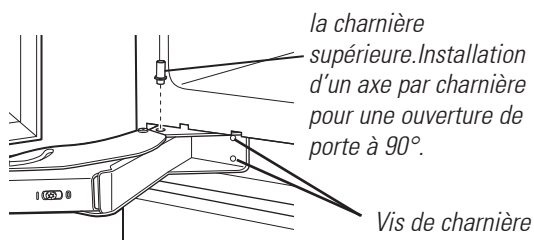


ÉTAPE 10 RÉGLAGE DE L'OUVERTURE DE PORTE (si nécessaire)

REMARQUE: Ce réfrigérateur possède 2 butées de position d'ouverture. Quand l'espace ne permet pas l'ouverture de la porte à 115°, vous pouvez limiter l'ouverture de porte à 90°.

Ignorez cette étape si l'ouverture de la porte est satisfaisante pour l'installation.

- Ouvrez la porte du compartiment réfrigérateur pour exposer les charnières supérieure et inférieure.
- Desserrez les vis de la charnière inférieure fixées à la cuve
- Tirez la charnière légèrement vers vous et insérez l'axe de la charnière dans le trou le plus proche de l'appareil.
- Vous pouvez utiliser un petit marteau pour les mettre en place correctement.
- Resserrez les vis de la charnière.
- Répétez cette procédure pour
- Repeat for top hinge.

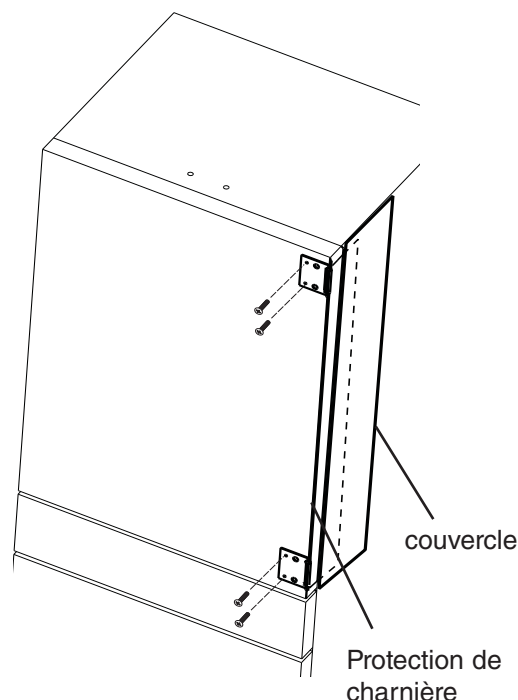


ÉTAPE 11 INSTALLATION DE LA PROTECTION DE CHARNIÈRE

⚠ AVERTISSEMENT:

Cet appareil doit être installé et utilisé avec la protection de charnière en place !

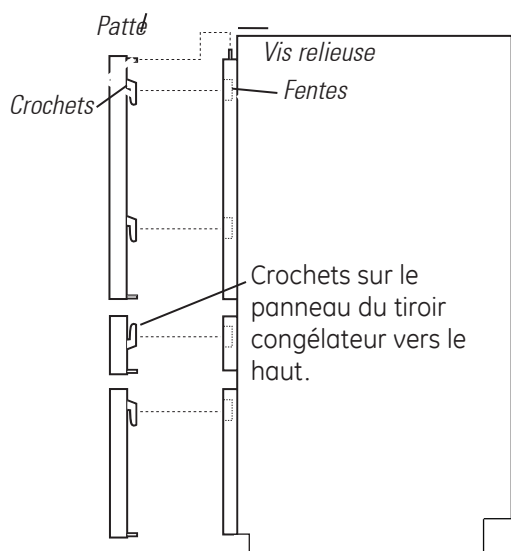
1. Sécurisez la protection de charnière au côté du caisson avec du ruban. Alignez le couvercle avec les rebords supérieur et le devant du caisson.
2. Fixez la protection de charnière en glissant la partie plate entre le caisson et le couvercle.
3. Fixez la protection sur l'avant de la porte à l'aide des 4 vis.



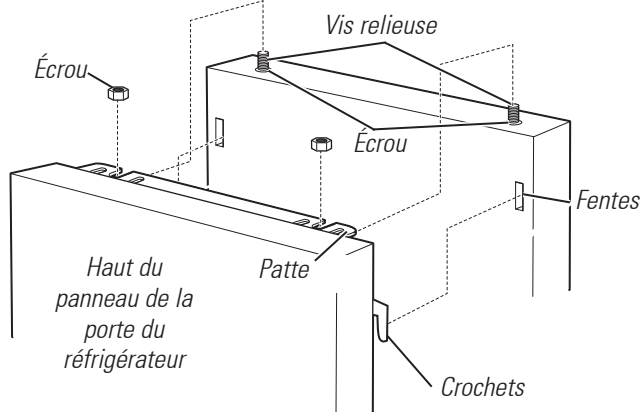
Instructions d'installation

ÉTAPE 12 INSTALLATION DES PANNEAUX DE PORTE ET DE TIROIRS

1. Retirez tous les crochets des portes et des tiroirs de l'appareil et vissez-les sur les panneaux sur mesure, en les alignant sur les trous prépercés les plus bas pour les panneaux Monogram sur le panneau de porte FF.
2. Fixez le support en L supérieur au panneau FF.
3. Si vous avez fait fabriquer des poignées sur mesure et qu'elles ne sont pas encore fixées aux panneaux, faites-le maintenant.
4. Ouvrez la porte du réfrigérateur pour suspendre le panneau approprié.
5. Faites glisser les crochets du panneau de la porte du réfrigérateur dans les fentes de la porte et faites descendre les crochets dans la bonne position. Assurez-vous que la patte sur le haut du panneau se glisse par-dessus les vis relieuses sur le haut de la porte. Les pattes reposeront sur le dessus des écrous.

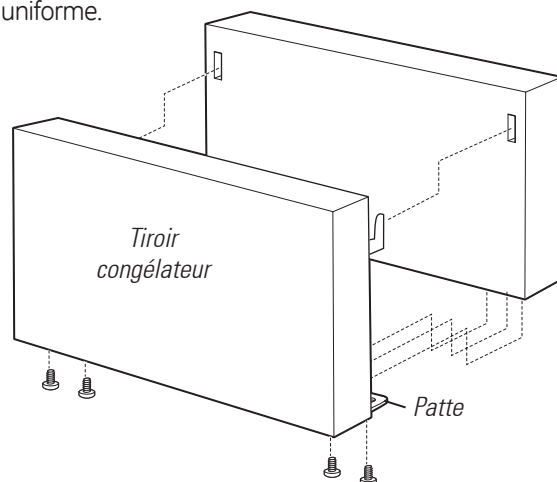


6. Ajustez les vis relieuses vers le haut ou vers le bas sous la patte sur le haut de la porte pour mettre le panneau de niveau.
7. Verrouillez le panneau sur la porte en plaçant les écrous fournis sur les vis relieuses sur le dessus de la porte. Ensuite, vissez la patte inférieure en L au bas de la porte et du panneau.

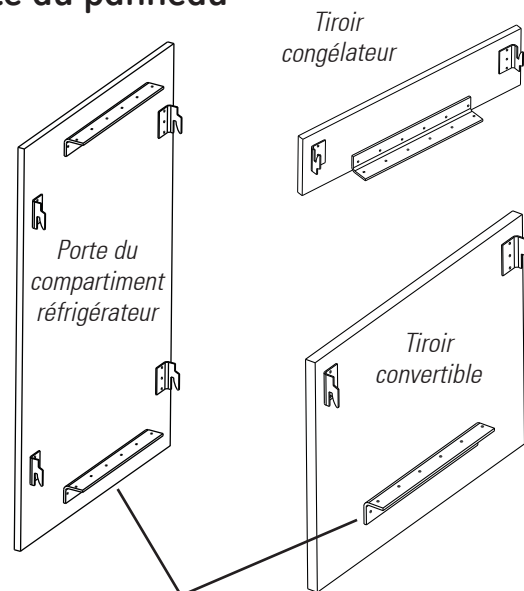


ÉTAPE 12 INSTALLATION DES PANNEAUX DE PORTE ET DE TIROIRS (suite)

7. Installez les panneaux de tiroir congélateur en insérant les pattes en remontant vers le haut. (dans la direction opposée aux crochets du panneau de la porte du réfrigérateur et du tiroir convertible).
8. Lorsque le panneau du tiroir est en place, fixez-le au tiroir en vissant la patte inférieure au panneau à l'aide des vis fournies.
9. Répétez la procédure pour le deuxième tiroir en faisant glisser les crochets vers le bas plutôt que vers le haut.
10. Si vous utilisez une plinthe sur mesure, fixez le panneau de la plinthe en plaçant le Velcro au dos du panneau et sur le devant de la plinthe. Si vous utilisez une plinthe en acier inoxydable, il sera aimanté.
11. Ajustez l'alignement du tiroir en utilisant les pattes inférieures si nécessaire pour créer un dégagement uniforme.



Vue de l'arrière des crochets et de la patte du panneau

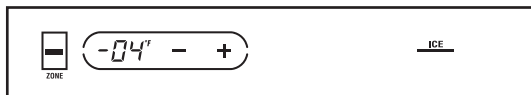


Les supports inférieurs sur la porte du réfrigérateur et sur le tiroir convertible ne doivent pas être installés avant les panneaux.

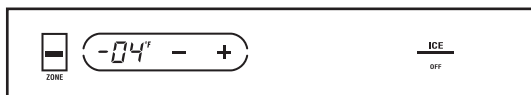
Instructions d'installation

ÉTAPE 13 MISE EN MARCHÉ DE LA MACHINE À GLAÇONS

- Appuyez deux fois sur le voyant ZONE sur le panneau de commande pour sélectionner le tiroir congélateur. Appuyez sur l'icône ICE (glaçon) sur le côté droit des commandes. Une ligne apparaîtra sous ICE (Glaçon) pour indiquer que la machine à glaçons est activée.
- Vérifiez que rien n'interfère avec le déplacement du bras de détection.
- Jetez le premier bac de glaçons.



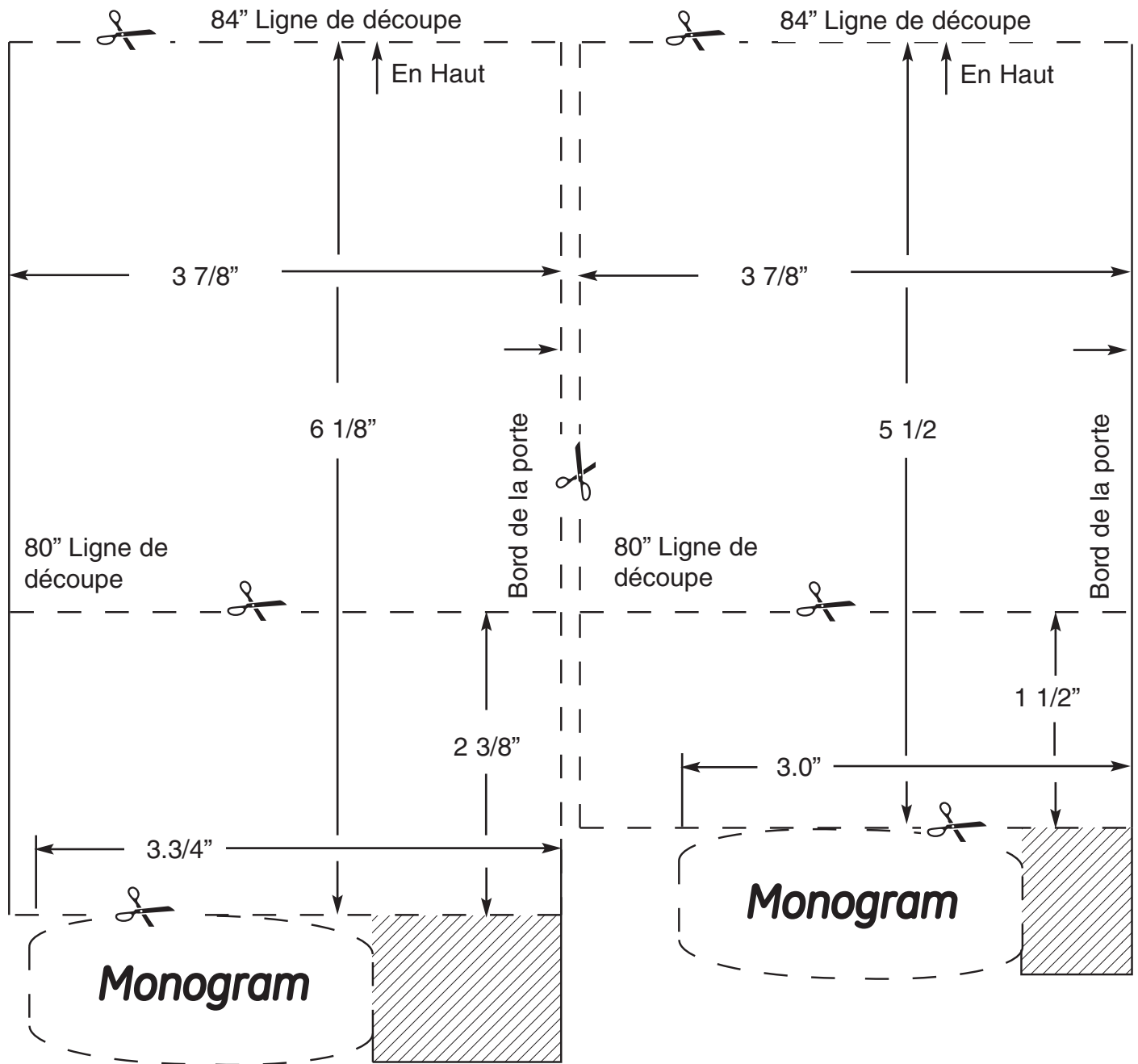
- Pour arrêter la machine à glaçons, appuyez sur l'icône ICE (glaçon). Le mot OFF (arrêt) apparaîtra sous ICE (Glaçon) pour indiquer que la machine à glaçons est désactivée.



Instructions d'installation

Modèle Profession Badge Groupe

Modèle européen Badge Groupe



- Pour installer insigne, modèle de découpe qui correspond au style du panneau acheté, européen ou professionnel.
 - Trim modèle pour soit 80 "ou 84" type de panneau.
 - aligner le gabarit dans le coin supérieur le plus proche badge Hing et le lieu.
 - * Pour les charnières sur la gauche, un modèle flip.
- Section ombragée doit être compris entre bord de la porte et badge.

Observations

REMARQUE: Il est recommandé de porter des lunettes de sécurité ou des lunettes étanches lors de l'installation de cet appareil.

Pour les services locaux Monogram® dans votre secteur, appelez le 1.800.444.1845.

REMARQUE: Au sein de General Electrics, nous nous efforçons toujours d'améliorer nos produits. Ainsi, les matériaux, l'aspect et les spécifications peuvent être modifiés sans préavis.

Pub. No. 31-46542-3
Part No. 197D8125P002

04-12 GE



GE Consumer & Industrial
Appliances
General Electric Company
Louisville, KY 40225
GEAppliances.com

Información sobre Seguridad

ANTES DE COMENZAR

Lea estas instrucciones en su totalidad y atentamente.

- **IMPORTANTE** — Conserve estas instrucciones para uso del inspector local. Cumpla con todos los códigos y ordenanzas gubernamentales.
- **Nota para el Instalador** — Asegúrese que el Comprador conserve estas instrucciones.
- **Nota para el Consumidor** — Guarde estas instrucciones con su Manual del Propietario para referencia futura.
- **Nivel de habilidad** — La instalación de este dispositivo requiere un nivel básico de habilidades de mecánica, carpintería y plomería. La correcta instalación del producto es responsabilidad del instalador. Si se producen fallas en el producto debido a una instalación inadecuada, la Garantía del Producto de GE no cubrirá las mismas. Para obtener información sobre la garantía, consulte el Manual del Propietario. **Para acceder al servicio local de Monogram, llame al 1.800.444.1845.**
- **Para acceder a Piezas y Accesorios de Monogram, llame al 1.800.626.2002.**

www.monogram.com

⚠ ADVERTENCIA:

Este electrodoméstico deberá estar conectado a tierra de forma adecuada. Consulte "Cómo Conectar a Tierra el Refrigerador", página 5.

Si el refrigerador que recibió está dañado, se deberá comunicar de inmediato con su vendedor o contratista.

⚠ PRECAUCIÓN:

Debido al peso y tamaño de este refrigerador, y a fin de reducir el riesgo de lesiones personales o daños sobre el producto—**SE DEBERÁ CONTAR CON DOS PERSONAS PARA UNA INSTALACIÓN ADECUADA.**

⚠ ADVERTENCIA:

- Estos refrigeradores presentan inestabilidad y se deberán asegurar a fin de evitar posibles inclinaciones hacia adelante. Se requiere contar con protección anti-volcaduras. Para más detalles, consulte la página 14.
- Use este electrodoméstico sólo para su propósito original.
- De forma inmediata, repare o reemplace los cables del servicio eléctrico que sufran daños o peladuras.
- Antes de realizar su limpieza o hacer reparaciones, apague el disyuntor para desconectar la corriente.
- Cualquier reparación deberá ser realizada por un técnico calificado del servicio.

⚠ ADVERTENCIA—Refrigerante R600a

Advertencia: Este electrodoméstico cuenta con refrigerante isobutano, R600a, un gas natural con alto nivel de compatibilidad medioambiental. Sin embargo, también es inflamable. Se solicita el cumplimiento de las siguientes advertencias:

- 1) Al mover, instalar y operar el electrodoméstico, se deberá tener cuidado de evitar dañar la tubería del refrigerante.
- 2) El servicio técnico deberá ser realizado por personal autorizado del servicio de la fábrica, y los componentes podrán ser reemplazados por componentes de reemplazo autorizados por el fabricante.
- 3) Los productos de refrigeración cuentan con refrigerantes, los cuales de acuerdo con la ley federal deberán ser eliminados antes de descartar el producto.
- 4) Mantenga las aberturas de ventilación en el espacio de protección del electrodoméstico o en la estructura incorporada libres de obstrucción.
- 5) No use dispositivos mecánicos u otros medios para acelerar el proceso de descongelamiento.
- 6) No dañe el circuito del refrigerante.
- 7) No use dispositivos eléctricos dentro del compartimiento de almacenamiento de comida del electrodoméstico.

CONTENIDOS

Guía de Diseño

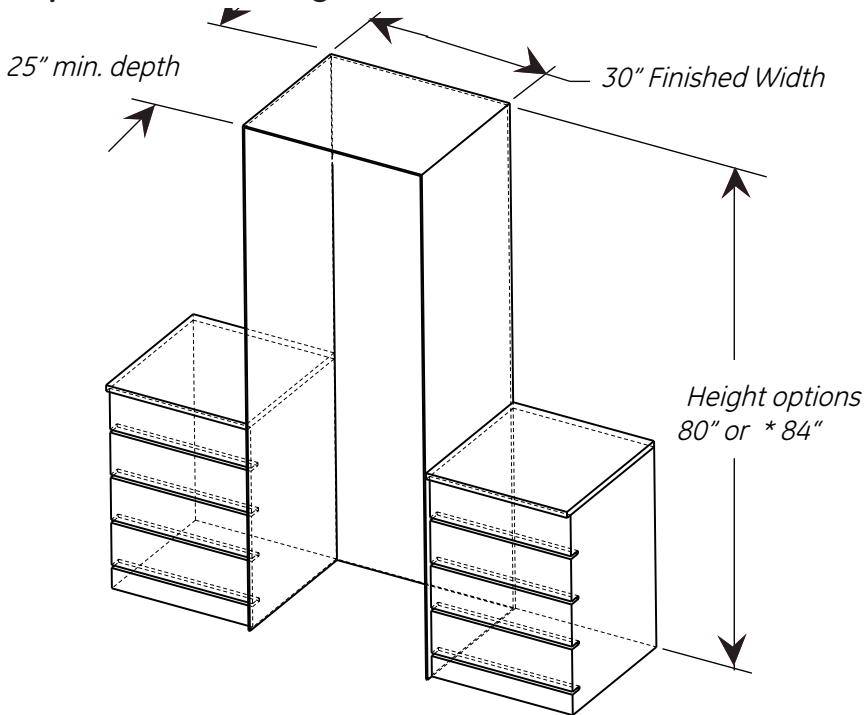
Dimensiones del Gabinete de Protección.....	48
Dimensiones del Refrigerador.....	49
El Espacio de Instalación	50
Conexión a Tierra del Refrigerador	50
Dimensiones y Espacio Libre.....	50
Manijas Integradas con Giro de Puerta de 115°	51
Manijas Integradas con Giro de Puerta de 90°	52
Manijas Profesionales con Giro de Puerta de 115°	53
Manijas Profesionales con Giro de Puerta de 90°	54
Accesorios y Dimensión del Panel SS. 55	
Dimensiones del Panel a Medida de 3/4"	56

Instrucciones de Instalación

Herramientas, Equipo, Materiales.....	57	Paso 9, Invierta el Giro de la Puerta	62, 63
Paso 1, Retire el Envoltorio	58	Paso 10, Ajuste el Giro de la Puerta	63
Paso 2, Instale el Soporte Anti-Volcaduras	59	Paso 11, Añada el Protector de la Bisagra	63
Paso 3, Inserte el Suministro de Agua	59	Paso 12, Instale los Paneles de la Puerta y el Cajón	64
Paso 4, Conecte la Corriente	59	Paso 13, Encienda la Máquina de Hacer Hielo.....	65
Paso 5, Deslice la Unidad en el Espacio de Protección	60	Plantillas de Insignia	66
Paso 6, Retire el Tope de Pie y la Ventilación	60	Notas	67
Paso 7, Nivele el Refrigerador	61		
Paso 8, Instale el Tope de Pie y la Ventilación	61		

Guía de Diseño

Dimensiones del Espacio de Protección del Gabinete para Instrucciones Completamente Integradas



La profundidad del disyuntor deberá ser de 25" para instalaciones al mismo nivel.

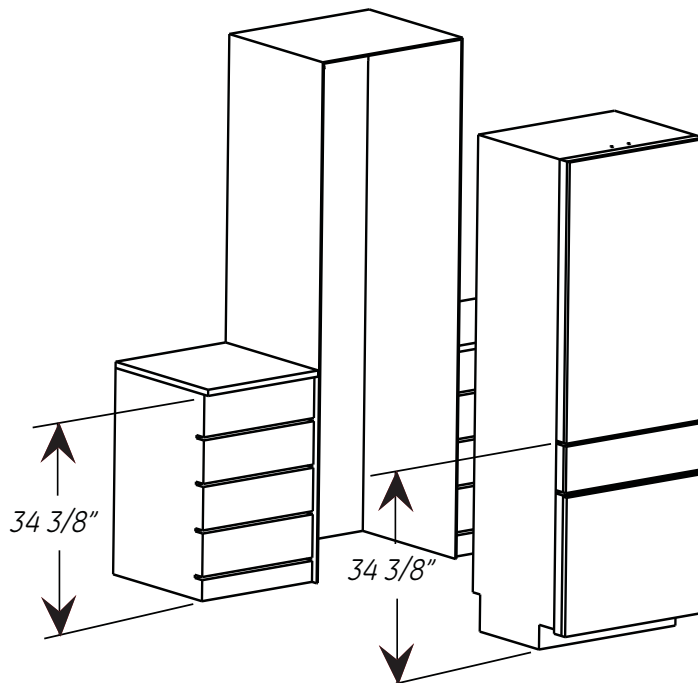
- La cara frontal del refrigerador se encuentra al mismo nivel que los gabinetes adyacentes de 25" de profundidad.
- El refrigerador puede calzar bien en un espacio de protección con una altura mínima de 79-1/2" y una altura máxima de 84 1/2". Aunque el refrigerador sólo se pueda levantar a 80 3/8".
- Se puede construir el panel de la puerta para alimentos frescos con la finalidad de completar la altura adicional; consulte la página 10.



Consejo de Diseño: Recomendamos finalizar la superficie interior del espacio de protección a por lo menos 4" de la cara frontal.



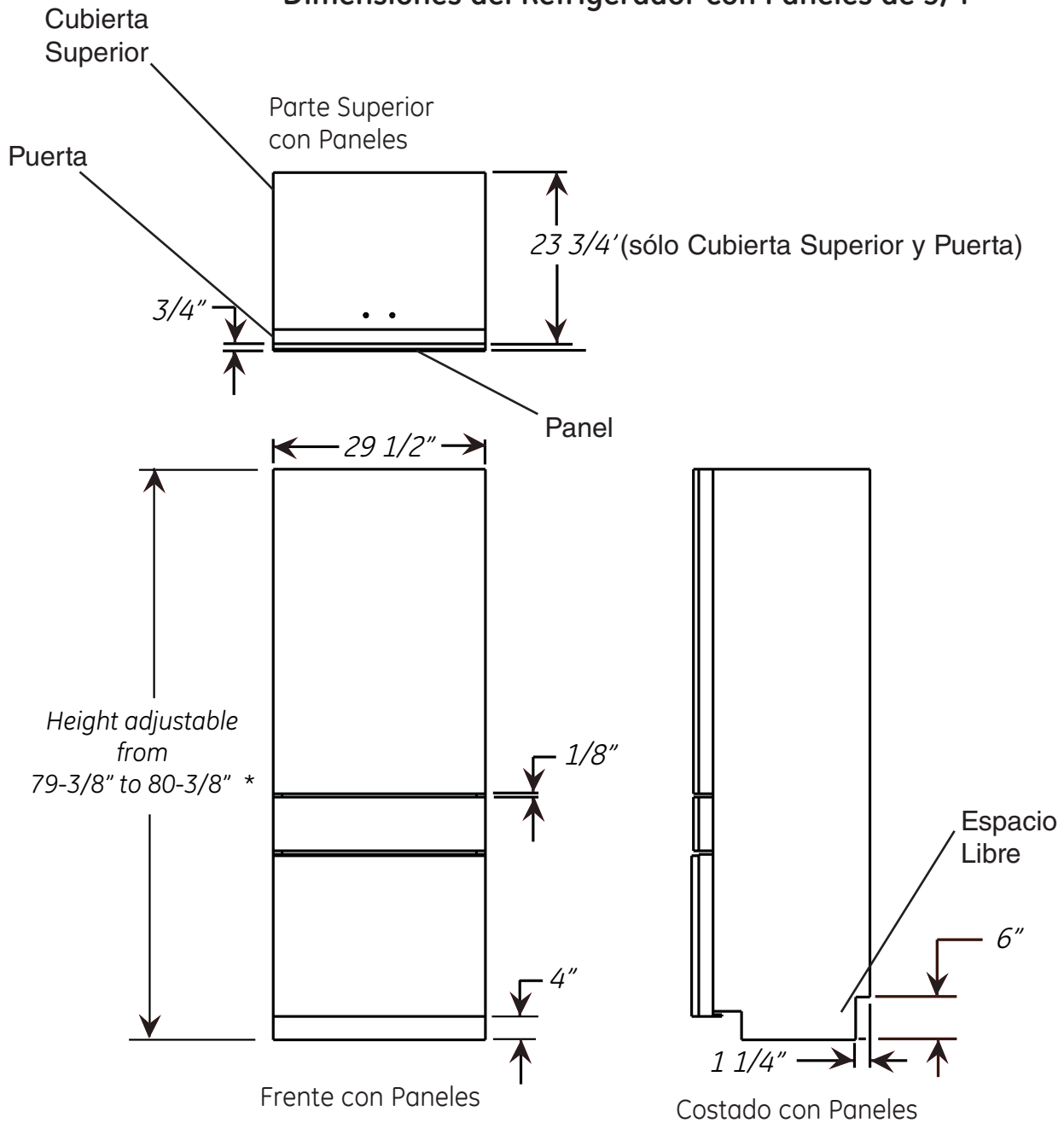
Consejo de Diseño: Si se usará un espacio de protección de 84", se recomienda agregar un panel que cubra el espacio sobre el cuerpo del refrigerador.



Consejo de Diseño: Es posible alinear el cajón de su refrigerador con gabinetes adyacentes para una apariencia completamente integrada.

Guía de Diseño

Dimensiones del Refrigerador con Paneles de 3/4"



* El Refrigerador se podrá ajustar para que calce en un espacio de gabinete de $83 \frac{3}{8}$ " a $84 \frac{3}{8}$ " con el kit del panel de la puerta adecuado.

Instalación en Espacio Libre		
Parte Superior $\frac{1}{8}$ " / 3mm	Cada Lado $\frac{1}{4}$ " / 6mm	Parte Trasera $\frac{1}{2}$ " / 12mm

Guía de Diseño

EL ESPACIO DE INSTALACIÓN

Ubicaciones de Agua y Electricidad

El suministro de electricidad y agua deberá estar ubicado en un lugar con sombra como se muestra.

PREPARACIÓN PARA INSTALAR EL SUMINISTRO DE AGUA

- Se requiere un suministro de agua fría para el funcionamiento de la máquina de hielo automática. La presión del agua deberá estar entre 40 y 120 p.s.i.
- Haga circular una tubería de cobre de 1/4" OD o tubería de plástico GE SmartConnect™ entre el suministro de agua fría de la casa y la ubicación de la conexión de agua.
- La tubería deberá ser de una extensión suficiente como para llegar hasta el frente del refrigerador. Deje una cantidad de tubería suficiente para realizar una inclinación que llegue hasta la conexión del suministro de agua.
- El suministro de agua puede ingresar a una abertura a través del piso o la pared trasera.
- Instale una válvula de cierre entre la válvula de agua de la máquina de hacer hielo y el suministro de agua fría en el hogar.

NOTA:

- Se recomienda que la válvula de cierre de agua se encuentre en una ubicación de fácil acceso. No es aconsejable ubicarla detrás de la unidad debido a dificultades de acceso. Si es necesario instalar la válvula detrás de la unidad, deberá ser ubicada en un área con sombra.
- Muchos kits de suministro de agua incluyen válvulas de cierre tipo montura, pero no se recomiendan para esta aplicación.
- La única tubería aprobada por GE es suministrada en los Kits de Tuberías para Refrigerador de GE SmartConnect™. No use ningún otro suministro de agua plástico, ya que el suministro se encuentra bajo presión en todo momento. Otros tipos de plásticos podrán sufrir fisuras o rompedoras con el paso del tiempo y ocasionar problemas con el agua en su hogar. Los Kits de Tuberías para Refrigerador de GE SmartConnect™ están disponibles en las siguientes longitudes:
6' (1.8 m) WX08X10006, 15' (4.6 m) WX08X10015 & 25' (7.6 m) WX08X10025

- Se deberá cumplir con los Códigos de Plomería del Commonwealth de Massachusetts 248CMR. Las válvulas tipo montura son ilegales y su uso está prohibido en Massachusetts. Consulte a un plomero matriculado.

Especificaciones Eléctricas

- Se requiere un suministro de corriente de 115 voltios, 60-Hz., 15 o 20 amperes. Se recomienda el uso de un circuito individual derivado o un disyuntor correctamente conectado a tierra.
- Instale un receptáculo eléctrico de 3 patas correctamente conectado a tierra en la pared trasera. El receptáculo eléctrico deberá estar ubicado en la pared trasera como se muestra.

NOTA: No se recomienda el uso de un Interruptor de Falla de Tierra (GFI).

CONEXIÓN A TIERRA DEL REFRIGERADOR

IMPORTANTE – (Lea detenidamente)

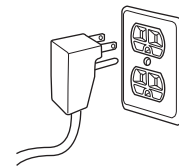
PARA SU SEGURIDAD PERSONAL, ESTE ELECTRODOMÉSTICO DEBERÁ ESTAR ADECUADAMENTE CONECTADO A TIERRA.

El cable de corriente de este electrodoméstico cuenta con un enchufe de 3 cables (conexión a tierra) que se conecta a un tomacorriente de pared estándar de 3 cables (conexión a tierra) para minimizar el riesgo de posibles descargas eléctricas por parte del mismo.

Contrate a un electricista calificado para que controle el tomacorriente y el circuito eléctrico para asegurar que el enchufe esté correctamente conectado a tierra.

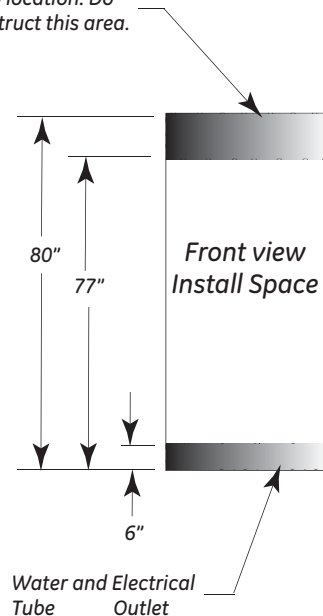
En caso de contar con un tomacorriente de pared de 2 cables, es su responsabilidad y obligación reemplazarlo por un tomacorriente de pared de 3 cables correctamente conectado a tierra.

NUNCA, BAJO NINGUNA CIRCUNSTANCIA, CORTE NI ELIMINE EL TERCER CABLE (TIERRA) DEL CABLE DE CORRIENTE.



NO USE UN ENCHUFE ADAPTADOR PARA CONECTAR EL REFRIGERADOR A UN TOMACORRIENTE DE 2 PATAS. NO USE UN PROLONGADOR CON ESTE ELECTRODOMÉSTICO.

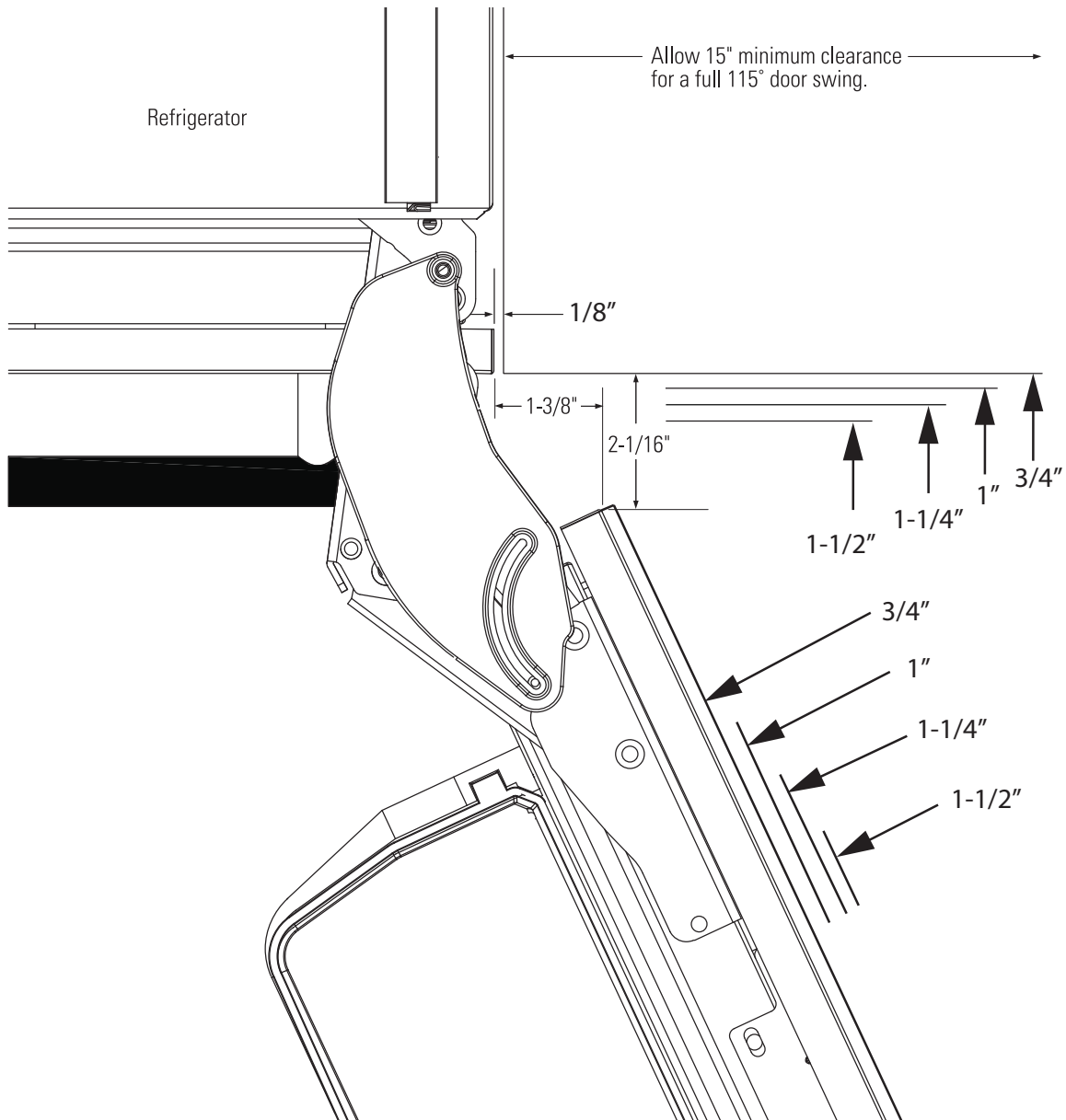
Anti-Tip location. Do not obstruct this area.



Guía de Diseño

Espacios Libres del Producto

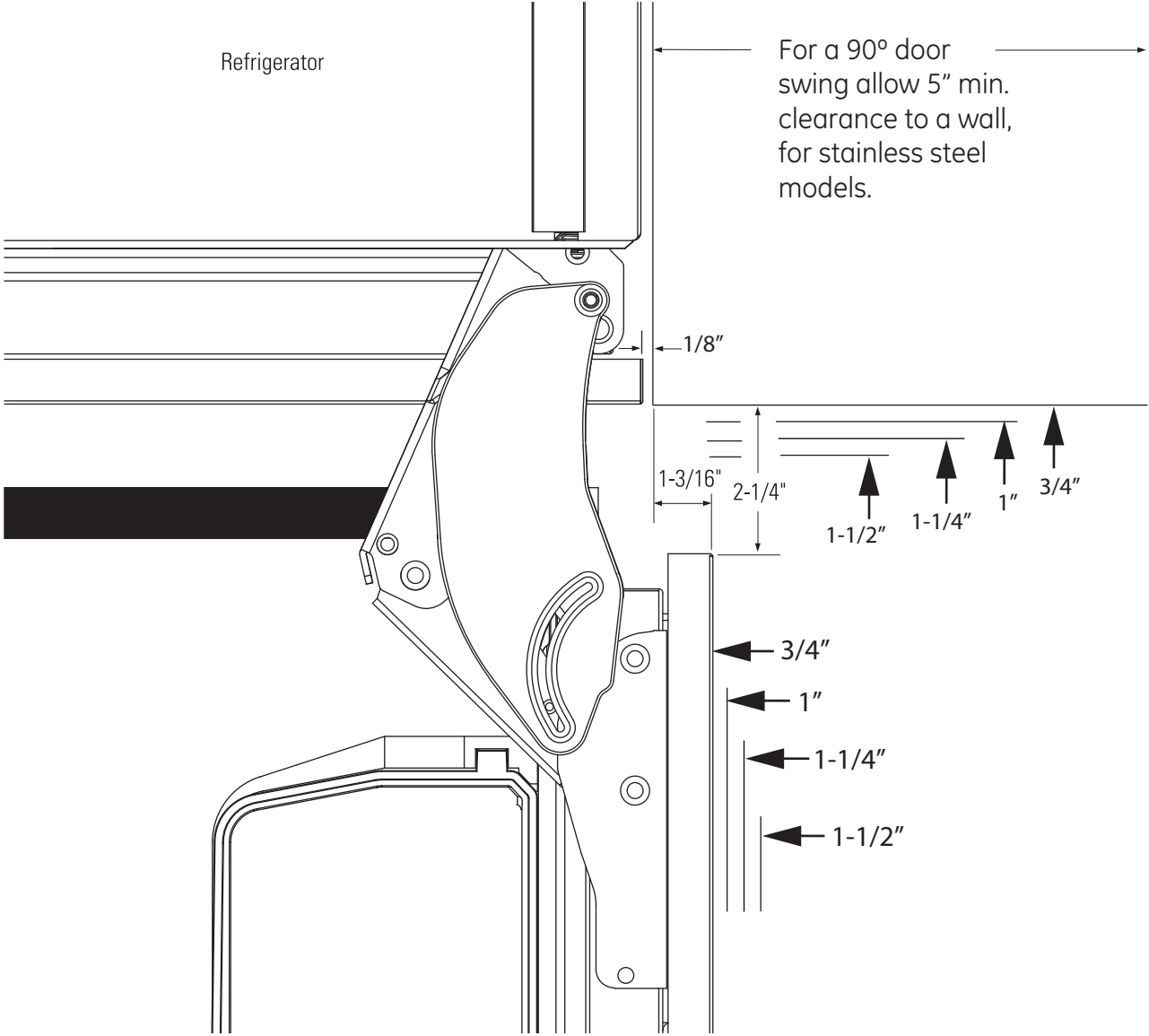
Estos refrigeradores están equipados con un dispositivo de detención de la puerta de 2 posiciones. El giro de la puerta de 115° original de fábrica se podrá ajustar a 90° si el espacio libre hasta los gabinetes adyacentes o paredes es restringido. Para que la puerta gire a 90°, consulte la página 7.



Vista Superior de los Paneles
SS Europeos o A Medida
DE PUERTA DE 115°(original de
fábrica)

No a escala

Guía de Diseño



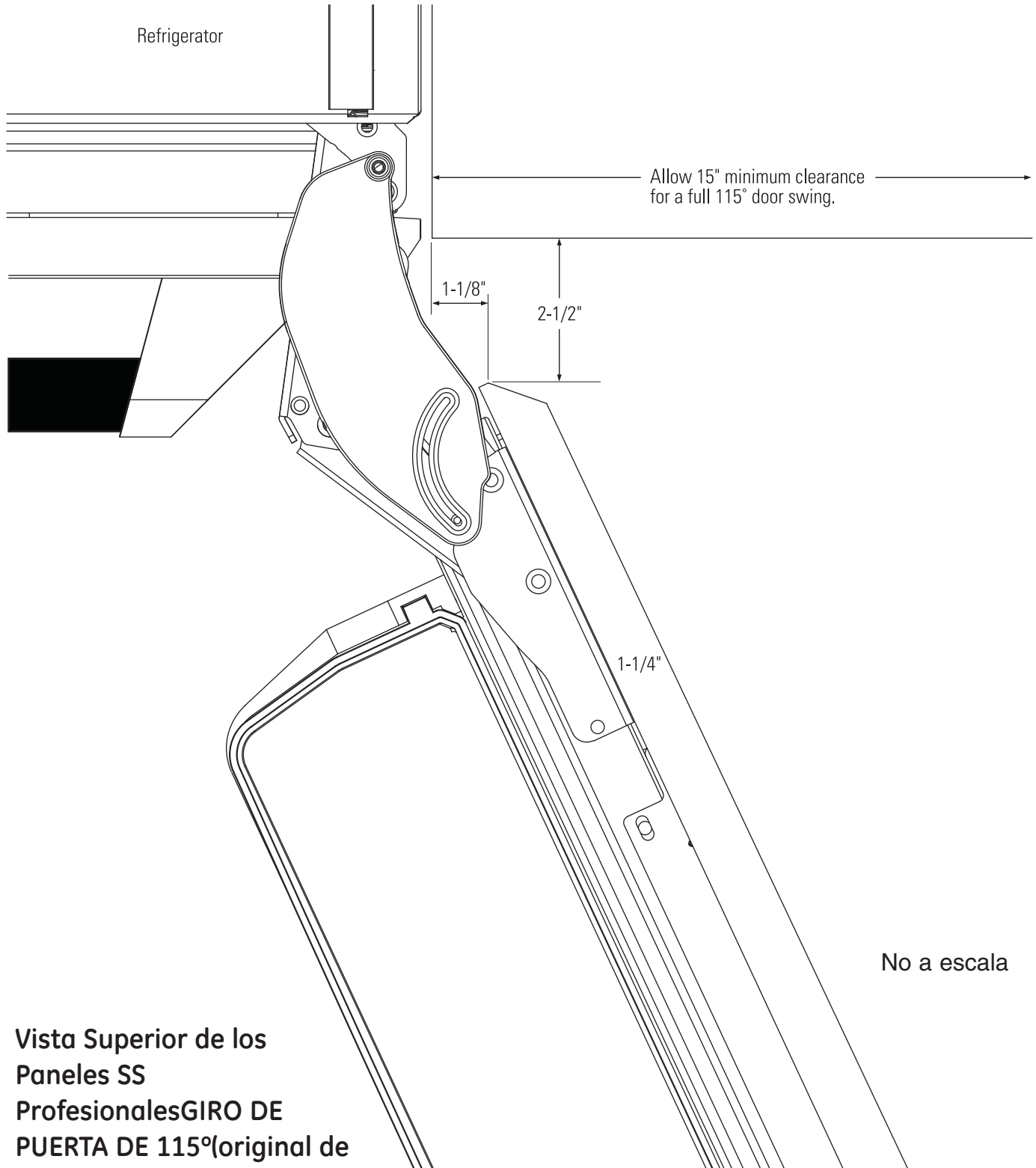
Vista Superior de los Paneles SS Europeos o A Medida GIRO DE PUERTA DE 90°(opcional)

No a escala

Guía de Diseño

Espacios Libres del Producto

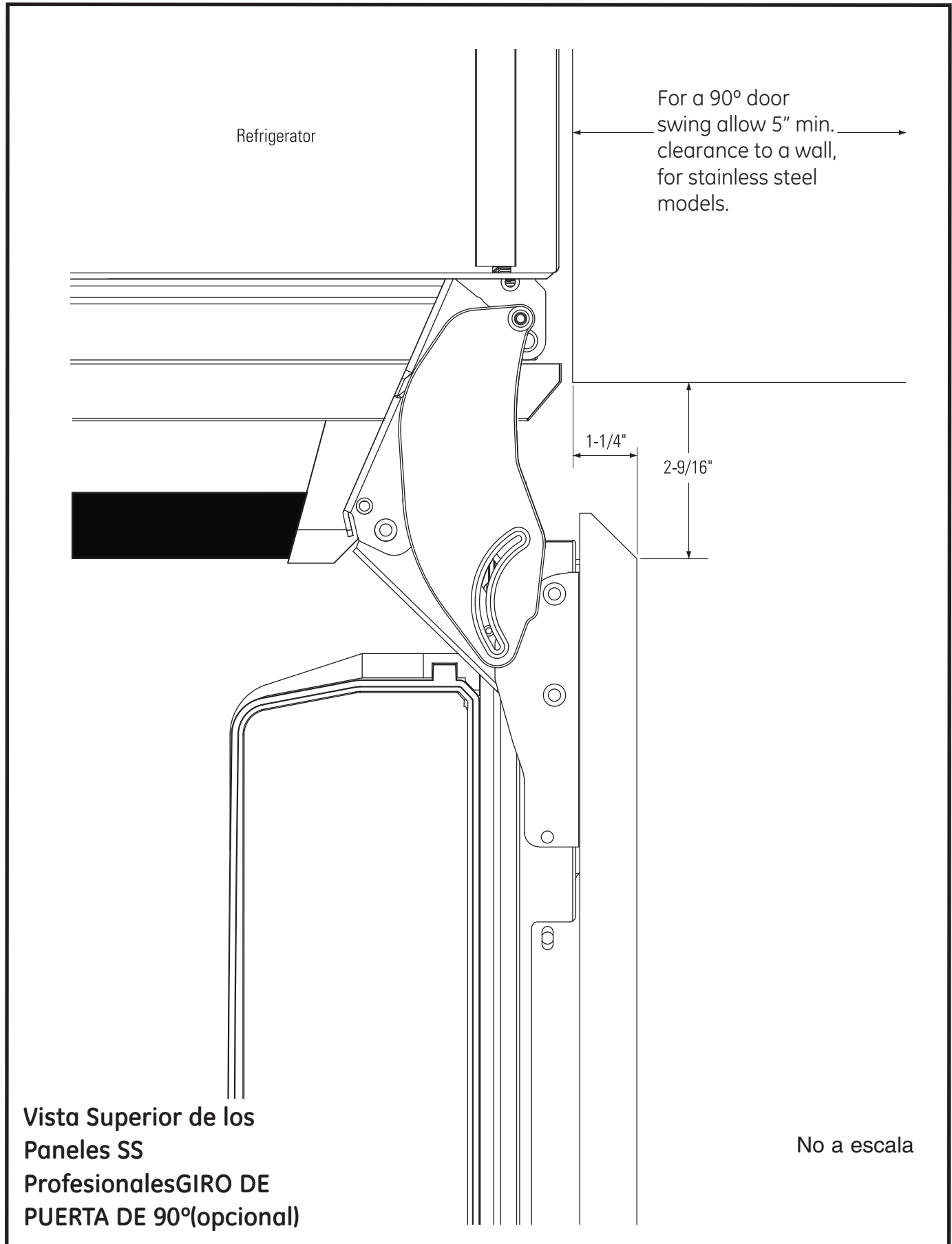
Estos refrigeradores están equipados con un dispositivo de detención de la puerta de 2 posiciones. El giro de la puerta de 115° original de fábrica se podrá ajustar a 90° si el espacio libre hasta los gabinetes adyacentes o paredes es restringido. Para que la puerta gire a 90°, consulte la página 9.



Vista Superior de los Paneles SS Profesionales
GIRO DE PUERTA DE 115°(original de fábrica)

No a escala

Guía de Diseño



Guía de Diseño

ACCESORIO Y DIMENSIONES DEL PANEL SS

3/4"- Opciones de Paneles de Puerta Sólidos y Gruesos

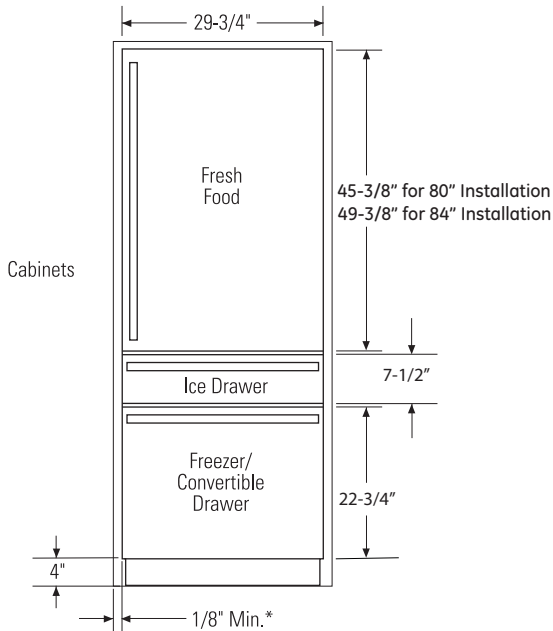
Para Instalación a una Altura de 80"

- Integrado – Modelo de Panel ZKST300N LH & RH competente
- Profesional – Modelo de Panel ZKST300N LH & RH competente

Para Instalación a una Altura de 84" (El panel de la puerta no es reversible para Instalaciones a 84". Se deberá adquirir un accesorio para panel de puerta para izquierda o derecha.)

- LH Integrado – Modelo ZKST304NLH
- RH Integrado – Modelo ZKST304NRH
- LH Profesional – Modelo ZKSP304NLH
- RH Profesional – Modelo ZKSP304NRH

NOTA: Cada kit también cuenta con paneles para cajones, manijas y topes de pie para el freezer y adaptables.



*Deberá haber un espacio mínimo de 1/8" entre los paneles y los gabinetes circundantes.

3/4"- Opciones de Estructuras Gruesas para Puertas de Vidrio

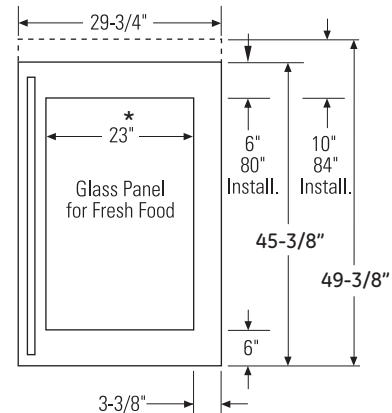
Para Instalación a una Altura de 80"

- Integrado – Modelo ZKGT300N LH & RH competente
- Profesional – Modelo ZKGP300N LH & RH competente

Para Instalación a una Altura de 84" (El panel de la puerta no es reversible para Instalaciones a 84". Se deberá adquirir un accesorio para panel de puerta para izquierda o derecha).

- LH Integrado – Modelo ZKST304NLH
- RH Integrado – Modelo ZKST304NRH
- LH Profesional – Modelo ZKSP304NLH
- RH Profesional – Modelo ZKSP304NRH

NOTA: Cada opción también cuenta con paneles para cajones, manijas y topes de pie convertibles y para el freezer.



*La ventana de estilo pro es un poco más pequeña..

Kits de Accesorios Opcionales N°:

- Kit de Instalación de Lado a Lado – ZUG30
- Kit de manija europea - (3 manijas) - WR12X10988(se puede adquirir a través de Piezas de GE)

Guía de Diseño

DIMENSIONES DEL PANEL A MEDIDA DE 3/4": Instalación Totalmente Integrada a una Altura de 80"

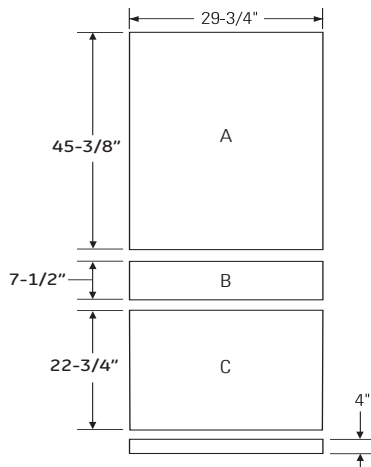
Si decide instalar paneles a medida, se deberán cortar en las dimensiones que se muestran. Los paneles serán añadidos a la puerta y cajones, usando un sistema de ganchos y soportes.

MUY IMPORTANTE: Los paneles de madera debe ser de al menos 3 / 4 "de espesor en los ganchos y soporte de hardware se adjuntan Consulte a las plantillas de gancho y ubicación de los soportes.

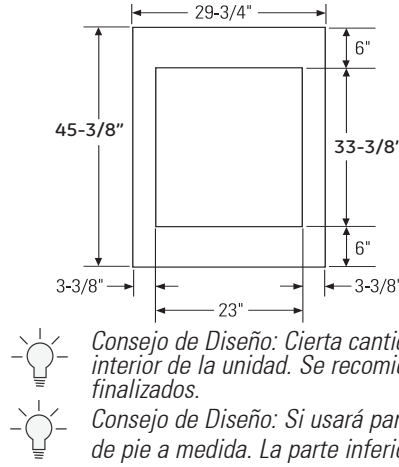
NOTA: Este producto fue diseñado para sostener paneles de 3/4" contruidos en madera. 33-3/8" x 23" es la abertura máxima para una ventana de vidrio. La abertura podrá ser más pequeña si así se desea.

Se requiere la determinación del recorrido de los paneles donde los ganchos y soportes se adhieren a los paneles

PANELES PARA PUERTA Y VENTANAS SÓLIDAS



PANELES PARA PUERTA DE VIDRIO



NOTA IMPORTANTE: Peso máximo del panel:

A Panel de la Puerta para Alimentos Frescos: 33 libras.

B Panel para Cajón del Freezer: 9 libras

C Panel del Cajón Convertible: 19 libras

*Los estilos deberán ser como mínimo de 3-3/8" para cubrir la estructura de la puerta de aluminio



Consejo de Diseño: Cierta cantidad de cada panel será visible en el lado interior de la unidad. Se recomienda que ambos lados de cada panel sean finalizados.



Consejo de Diseño: Si usará paneles a medida, se recomienda usar un tope de pie a medida. La parte inferior del cuerpo es blanca.

DIMENSIONES DEL PANEL A MEDIDA DE 3/4": Instalación Totalmente Integrada a una Altura de 84"

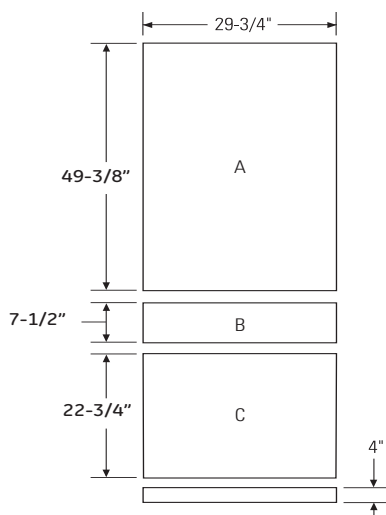
Si decide instalar paneles a medida, se deberán cortar en las dimensiones que se muestran. Los paneles serán añadidos a la puerta y cajones, usando un sistema de ganchos y soportes.

MUY IMPORTANTE: Los paneles de madera debe ser de al menos 3 / 4 "de espesor en los ganchos y soporte de hardware se adjuntan Consulte a las plantillas de gancho y ubicación de los soportes.

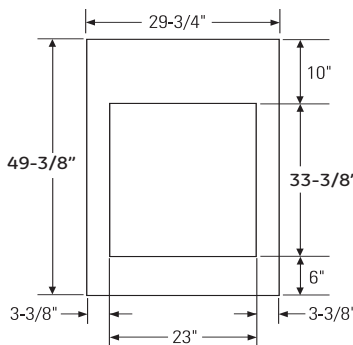
NOTA: Este producto fue diseñado para sostener paneles de 3/4" contruidos en madera. 3-3/8" x 23" es la abertura máxima para una ventana de vidrio. La abertura podrá ser más pequeña si así se desea.

Se requiere la determinación del recorrido de los paneles donde los ganchos y soportes se adhieren a los paneles

PANELES PARA PUERTA Y VENTANAS SÓLIDAS



PANELES PARA PUERTA DE VIDRIO



NOTA IMPORTANTE: Peso máximo del panel:
A Panel de la Puerta para Alimentos Frescos: 33 libras.

B Panel del Cajón del Freezer: 9 libras.

C Panel del Cajón Convertible: 19 libras.

*Los estilos deberán ser como mínimo de 3-3/8" para cubrir la estructura de la puerta de aluminio.



Consejo de Diseño: Cierta cantidad de cada panel será visible en el lado interior de la unidad. Se recomienda que ambos lados de cada panel sean finalizados.



Consejo de Diseño: Si usará paneles a medida, se recomienda usar un tope de pie a medida. La parte inferior del cuerpo es blanca.

Instrucciones de Instalación

HERRAMIENTAS REQUERIDAS

- Llave Allen de 5/32"
- Cuchillo multiuso
- Escalera de dos hojas
- Balde
- Nivel
- Carro manual para electrodomésticos
- Cortador de tubos
- Llave de tuercas de 7/16"
- Llave de tuercas de 1-14"
- Destornillador Phillips n°2
- Kit de taladro y broca
- Enchufe de 5/16"
- Gafas de seguridad
- Pinzas
- Trinquete de 3/8"
- Torx T-20, T-30 Llave

MATERIALES SUMINISTRADOS

- Soporte anti-volcaduras y tornillos
- Soportes para montaje del panel
- Plantillas para el panel de la puerta- Pub n° 31-46543
- Filtro de agua – Parte n° GSWF
- Anclajes para Paredes de Yeso y tornillos

MATERIALES REQUERIDOS

- Tubería de suministro de agua de cobre o de GE SmartConnect™ de 1/4".Kits de tubería del refrigerador
- Válvula de cierre de agua
- Paneles a medida de la puerta para alimentos frescos, cajón del freezer y cajón Convertible
- Velcro con adhesivo si se usa un tope de pie a medida.

PISO

Para una instalación correcta, el refrigerador se deberá ubicar en una superficie nivelada de material duro que posea **la misma altura en el resto del piso**. Esta superficie deberá ser lo suficientemente fuerte como para resistir el peso de un refrigerador totalmente cargado o aproximadamente 1.200 libras (140 kg.).

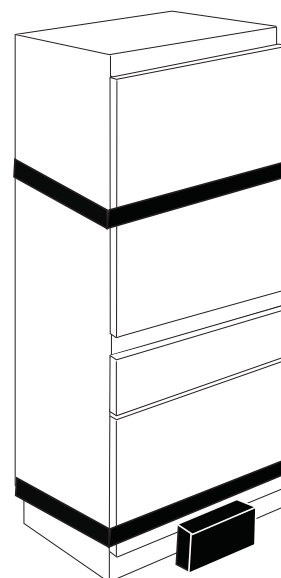
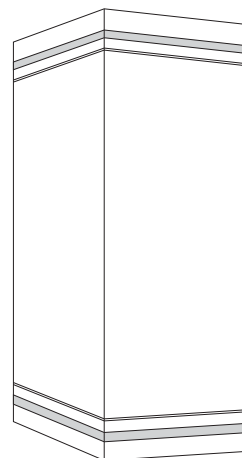
NOTA: Proteja el acabado del piso. Corte una sección amplia de cartón y coloque la misma debajo del refrigerador donde se encuentra trabajando.

Instrucciones de Instalación

PASO 1 RETIRE EL EMBALAJE

⚠ PRECAUCIÓN: EL REFRIGERADOR ES INESTABLE. TENGA CUIDADO AL MOVERLO.

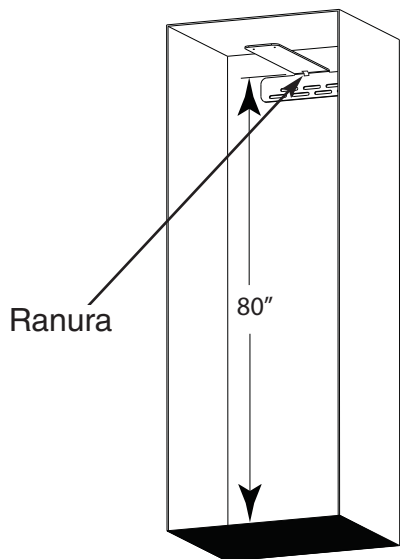
- Recorte las bandas y cintas de la parte superior e inferior del embalaje con un cuchillo multiuso.
- Despliegue las juntas del cartón y retire la parte superior del embalaje.
- Deslice el resto de la caja fuera del electrodoméstico. Puede usar una cuchilla para cortar el resto del cartón con MUCHO CUIDADO de no rayar el electrodoméstico.
- Retire los soportes de gomaespuma que se encuentran alrededor de la unidad.
- **NO retire la banda de la puerta ni la parte con bandas del EPS inferior, hasta que la unidad esté preparada para ser trasladada al espacio de protección.**
- Recorte los deslizantes de EPS a los costados cerca del frente desde la parte trasera de la unidad.
- Empuje la unidad hacia adelante y retire la parte trasera del deslizante de EPS.
- De forma cuidadosa apoye la parte trasera en el piso.
- Incline la unidad hacia atrás de forma suave y retire la parte frontal del deslizante de EPS.
- Descarte todos los materiales de embalaje sin uso de forma adecuada.
- La unidad ya puede ser trasladada usando un carro manual para electrodomésticos o girada sobre un piso adecuadamente protegido por 2 personas.
- Deje cualquier película protectora sobre el refrigerador hasta que la instalación sea completada.



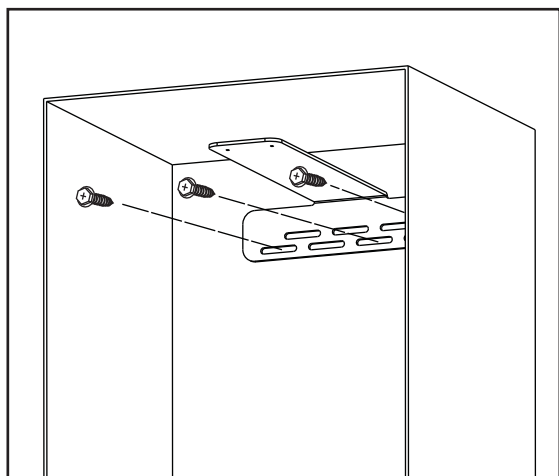
Instrucciones de Instalación

PASO 2 INSTALE EL SOPORTE ANTI-VOLCADURAS

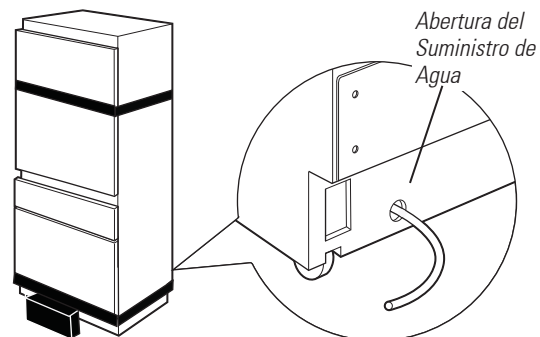
- La Cara Superior Interna del soporte se debería instalar a 80". La "Ranura" del soporte se deberá colocar en el centro del espacio de instalación (Típicamente a 15").
- Marque (dentro de las ranuras, ubicación) las posiciones del montaje y el anclaje en los soportes.



- Asegure el soporte usando una combinación de montajes y anclajes.
- Se deberá colocar por lo menos 1 montaje. Sin embargo, se requiere colocar tantos montajes como sea posible dentro del espacio de protección. Para una instalación adecuada, se deberán usar por lo menos tres sujetadores.



PASO 3 CONECTAR LA LÍNEA DE AGUA



- Posicione el electrodoméstico frente al espacio de protección.
- Encuentre y traiga la tubería al frente del gabinete.
- Abra y deje correr el agua a fin de eliminar desechos del suministro. Deje correr alrededor de un cuarto de galón de agua por la tubería a un balde; luego cierre el suministro de agua.

De ser necesario, corte la tubería a fin de darle la longitud necesaria de modo que se pueda añadir a la válvula de agua.

Tubería de Cobre:

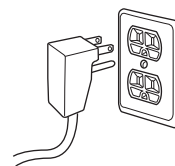
- Coloque una tuerca de 1/4" y una abrazadera de refuerzo sobre ambos extremos de la tubería de cobre. Inserte la tubería en la unión con la unidad y ajuste la tuerca a la unión.
- Abra el suministro de agua para controlar que no haya pérdidas.

Tubería de GE SmartConnect™:

- Inserte el extremo moldeado de la tubería en la conexión del refrigerador. Ajuste a mano la tuerca de compresión.
- Realice un ajuste adicional con un giro de llave. ¡Un ajuste excesivo podrá ocasionar pérdidas!
- Abra el suministro de agua para controlar que no haya pérdidas.

PASO 4 CONECTE LA CORRIENTE

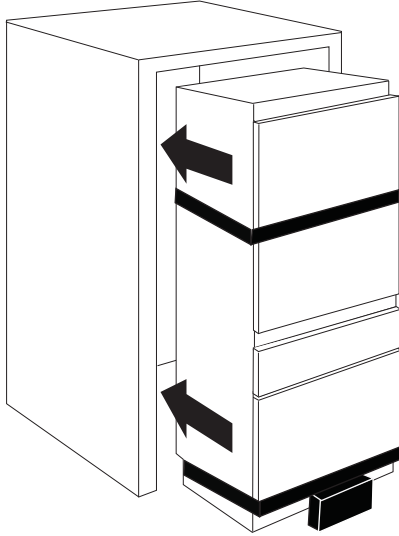
- Enchufe el cable de corriente en el tomacorriente.
- Asegúrese de que haya corriente en el refrigerador, abriendo el cajón de hielo (la puerta FF se cerrará con una banda) para ver si las luces interiores están encendidas.
- Los controles de temperatura estarán programados a 37° F para la sección de alimentos frescos y a 0°F tanto en el cajón del freezer como en el cajón adaptable.
- Permita que se estabilice durante 24 horas antes de realizar ajustes.



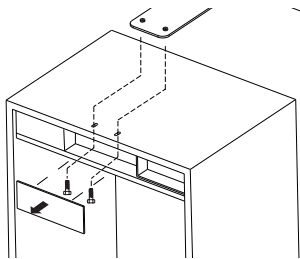
Instrucciones de Instalación

PASO 5 DESLICE LA UNIDAD HASTA EL ESPACIO DE PROTECCIÓN

Lleve la unidad hasta el espacio de protección, evitando retorcer la tubería de suministro de agua y el cable de corriente.



- Es posible que se requiera una barra larga y plana o una regla para medir yardas, a fin de guiar el extremo del frente del soporte anti-volcaduras sobre la unidad.
- Si el espacio lo permite, también puede inclinar el extremo frontal del soporte un poco hacia arriba, permitiendo que esto despeje la parte trasera de la unidad.

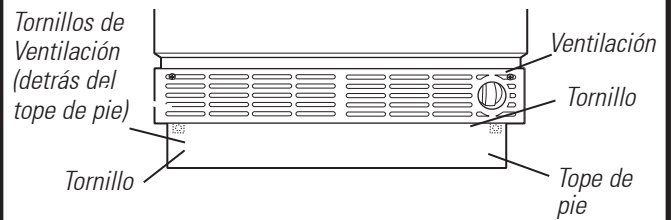


- Retire de la unidad la cubierta central superior de los componentes.
- Asegure la unidad al soporte anti-volcaduras, usando tornillos de máquina y arandelas para colocar las inserciones roscadas en el soporte anti-volcaduras
- Enrosque a mano los tornillos hasta que la unidad se encuentre en la ubicación deseada dentro del espacio de instalación.
- Finalice la instalación de la unidad ajustando los tornillos completamente.
- Vuelva a instalar la cubierta de los componentes.

PASO 6 RETIRE EL TOPE DE PIE Y LA VENTILACIÓN

El zócalo debe ser removido para acceder a la nivelación legstyle

- Retire la parte sólida del tope de pie empujando hacia adelante.
- Coloque el tope de pie, la ventilación y los tornillos a un costado, de modo que cuente con los mismos para volver a realizar la instalación.
- Deje correr agua por la tubería a través de toda la unidad, hasta que salga del frente de la unidad.
- Sujete con cinta adhesiva en el piso hasta que la unidad haya sido empujada hasta el espacio de resguardo.

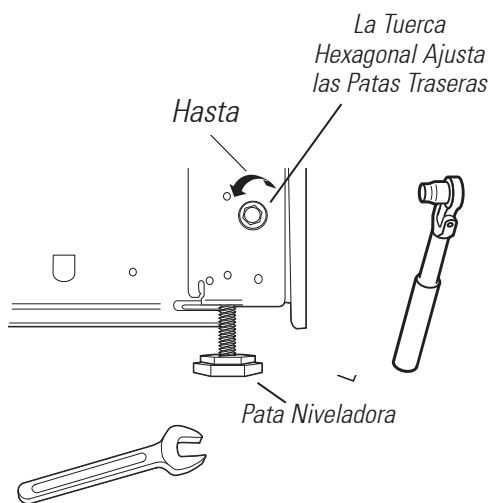


Instrucciones de Instalación

PASO 7 NIVELE EL REFRIGERADOR

Todos los modelos cuentan con 4 puntos de nivelación. La parte frontal está apoyada sobre patas niveladoras; la parte trasera está apoyada sobre ruedas ajustables. Es posible acceder a ambas desde la parte frontal del refrigerador.

- A fin de nivelar la parte trasera del refrigerador, gire la tuerca hexagonal de 5/16" que se encuentra ubicada sobre las ruedas frontales. Gire en contra de las agujas del reloj para levantar o a favor de las agujas del reloj para bajar el refrigerador.
- Para nivelar la parte frontal, use una llave de tuercas de 1-1/4".
- Ajuste la altura del refrigerador para que coincida con la abertura de la instalación. El refrigerador deberá estar nivelado y correctamente instalado entre los muebles de cocina.



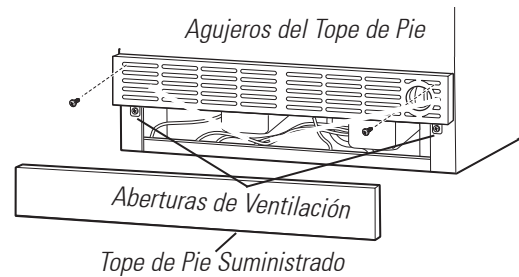
⚠ PRECAUCIÓN:

Las patas niveladoras traseras y frontales cuentan con un límite de ajuste de altura máxima de 1". Si en la instalación se requiere una altura superior a 84-1/2", el instalador deberá elevar el refrigerador sobre una lámina de contrachapado o tirantes. También se podrá agregar un ajuste a los gabinetes sobre la parte superior de la abertura, a fin de acortar esta última.

Si intenta elevar el refrigerador más de 1", dañará las patas niveladoras frontales y las ruedas niveladoras traseras.

PASO 8 INSTALE EL TOPE DE PIE Y LA VENTILACIÓN

- Ubique el tope de pie, la ventilación y los tornillos (retirados anteriormente).
- Se puede instalar un tope de pie hecho a medida que coincida o complemente los muebles que estén alrededor. Use el tope de pie suministrado como plantilla.
- Vuelva a instalar la ventilación usando los tornillos retirados previamente.
- Vuelva a instalar el tope de pie.



Instrucciones de Instalación

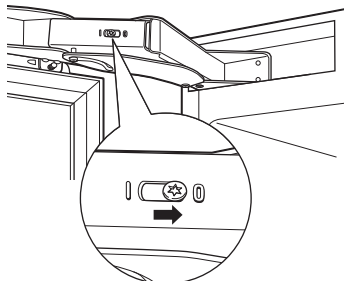
PASO 9 GIRO DE PUERTA INVERSO (Si es necesario)

Si está satisfecho con el giro de la puerta, saltee este paso.

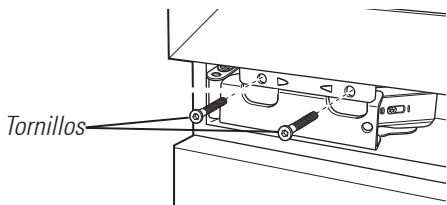
1. Abra la puerta de alimentos frescos.

⚠ ADVERTENCIA: EL SIGUIENTE PASO ES IMPORTANTE PARA UN MANEJO SEGURO DE UNA BISAGRA SIN CARGA. NO SALTEE EL PASO 2.

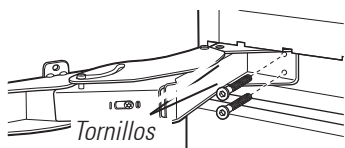
2. Libere los resortes de la bisagra usando una llave Torx T-20 para aflojar el tornillo Torx de | a 0 en ambos resortes. Cierre la puerta.



3. Usando una llave Allen de 5/32", retire los 2 tornillos por bisagra que aseguran la puerta al refrigerador. Pida a otra persona que sostenga la puerta, mientras retira estos tornillos para evitar que la puerta sufra una caída.

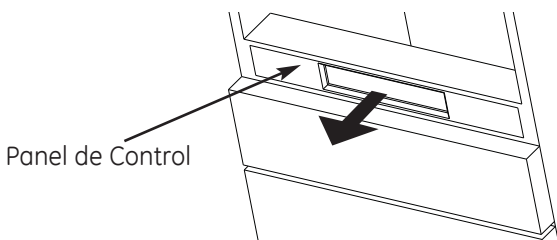


4. Abra las bisagras. Usando una llave Allen de 5/32", retire los 2 tornillos por bisagra que aseguran la bisagra al gabinete del refrigerador.



5. Retire el brazo de la bisagra y el marco de la parte superior del refrigerador e instale estos en los lados opuestos.

6. Retire el brazo de la bisagra y el marco de la parte inferior del compartimiento de alimentos frescos. Retire el panel de control y suavemente coloque el mismo en el cajón FZ.



7. Vuelva a instalar el panel de control.

PASO 9 GIRO DE PUERTA INVERSO (cont).

8. Las bisagras se volverán a instalar en esquinas opuestas. La bisagra de la parte superior se dará vuelta y se instalará en la parte inferior del compartimiento de alimentos frescos. La bisagra de la parte inferior se dará vuelta y se instalará en la parte inferior del compartimiento de alimentos frescos.

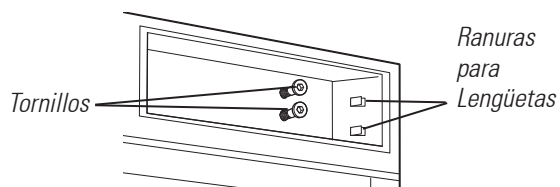


Bisagra Superior

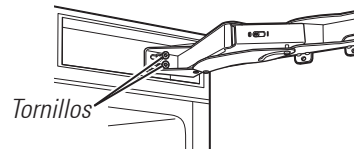


Bisagra Inferior

9. Instale los tornillos en el gabinete del compartimiento de alimentos frescos en los 4 lugares. Atornille los mismos aproximadamente en el punto intermedio.

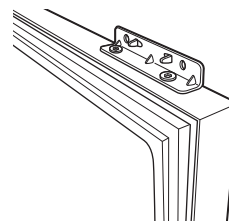


10. Para instalar la bisagra superior, gire la bisagra en la dirección adecuada - la sección del soporte que será añadido a la puerta se deberá encontrar en la parte inferior de la bisagra. Deslice la bisagra sobre los tornillos y coloque las lengüetas en el brazo de la bisagra. Ajuste los tornillos.



11. Para instalar la bisagra inferior, gire la bisagra en la dirección adecuada - la sección del soporte que será añadido a la puerta se deberá encontrar en la parte superior de la bisagra. Deslice la bisagra sobre los tornillos y coloque las lengüetas en el brazo de la bisagra. Ajuste los tornillos. Cierre la bisagra.

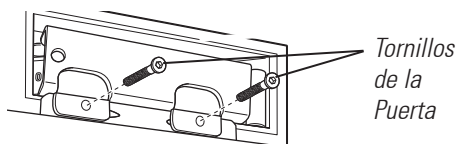
12. Retire las tuercas de la puerta para volver a instalar las mismas en la parte superior, inferior y extremo opuesto.



Instrucciones de Instalación

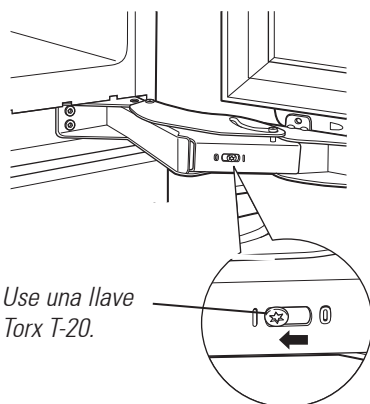
PASO 9 GIRO DE PUERTA INVERSO (cont).

13. Con otra persona que sostenga la puerta en su lugar, alinee las aberturas del soporte de las bisagras de la puerta con las aberturas de la bisagra. Primero coloque los tornillos en la bisagra superior.



14. Luego instale los tornillos en la bisagra inferior.

15. Usando una llave Torx T-20, ajuste la tensión de los tornillos de la bisagra girando los tornillos de 0 a |.

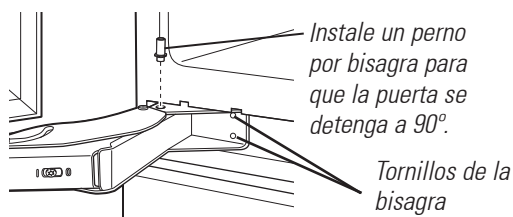


PASO 10 AJUSTE EL GIRO DE PUERTA (Si es necesario)

NOTA: El refrigerador cuenta con una detención de la puerta de 2 posiciones. Cuando el espacio no permita que la puerta gire 115°, podrá limitar el giro de la puerta a 90°.

Si la apertura de la puerta es satisfactoria para su situación durante la instalación, saltee este paso.

- Abra la puerta de alimentos frescos para acceder a las bisagras superior e inferior.
- Afloje los tornillos de la bisagra inferior que estén colocados en la unidad.
- Empuje la bisagra hacia adelante suavemente e inserte el perno de la bisagra en el agujero más cercano a la unidad.
- Es posible que necesite usar un martillo más pequeño para una colocación completa.
- Vuelva a ajustar los tornillos de la bisagra.
- Repita esto en la bisagra superior.

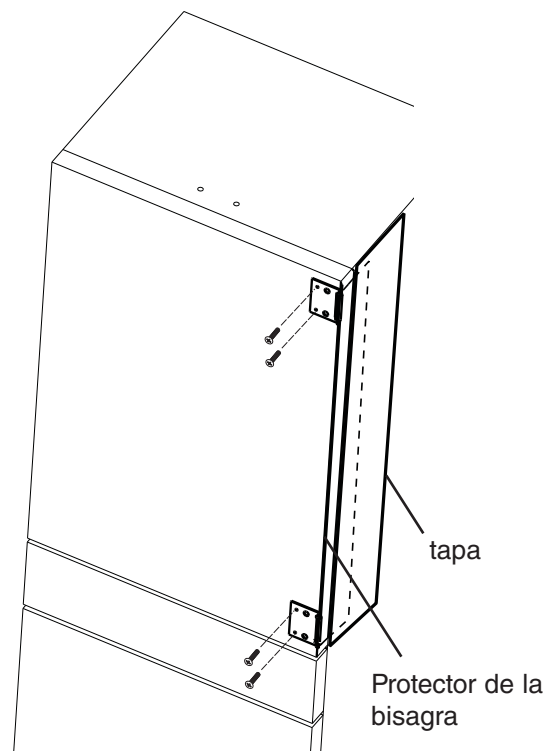


PASO 11 INSTALE EL PROTECTOR DE LA BISAGRA

⚠ ADVERTENCIA:

El protector de la bisagra deberá estar ya colocado cuando el electrodoméstico sea instalado y utilizado.

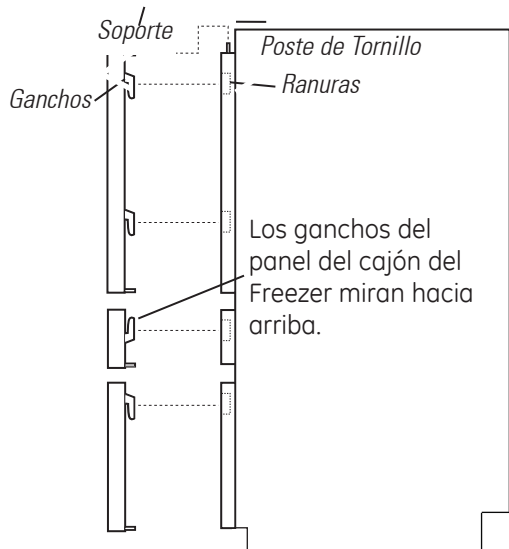
1. Pegue la tapa del protector de la bisagra al costado de la caja. Aliñe la tapa con la parte superior y los extremos frontales de la caja.
2. Añada el protector de la bisagra deslizando la parte plana entre la caja y la tapa.
3. Ajuste la bisagra al frente de la puerta usando 4 tornillos.



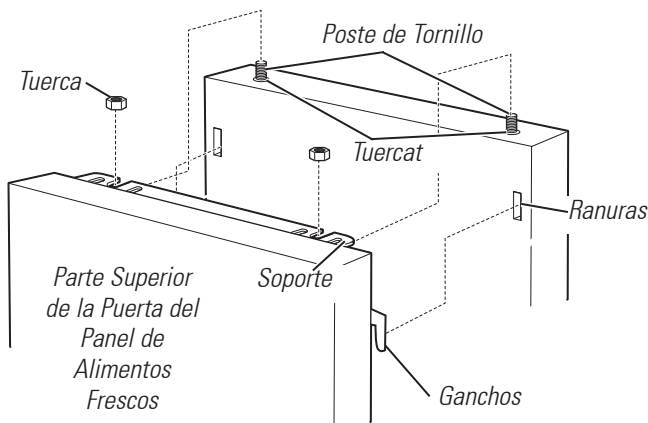
Instrucciones de Instalación

PASO 12 INSTALE LOS PANELES DE LA PUERTA Y DEL CAJÓN

1. Retire todos los ganchos de la puerta y cajones de la unidad y atornille estos a los paneles a medida, alineándolos con el conjunto inferior de agujeros taladrados previamente para los Kits del Panel Monogram en el panel de la puerta FF.
2. Añada el soporte L superior al panel FF.
3. Si cuenta con manijas a medida y actualmente no se encuentran añadidas a sus paneles, haga esto ahora.
4. Abra la puerta de alimentos frescos para añadir el panel de alimentos frescos.
5. Deslice los ganchos del panel de alimentos frescos en las ranuras de la puerta, y haga descender estos hasta las posiciones correctas. Asegúrese de que el soporte de la parte superior del panel se deslice sobre los postes de tornillos en la parte superior de la puerta. Los soportes descansarán sobre las tuercas.

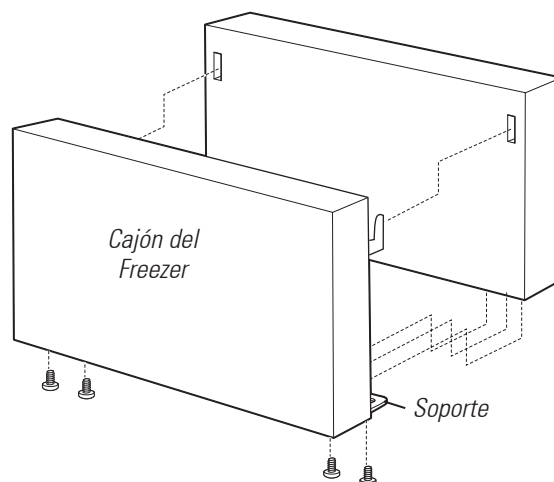


6. Ajuste los postes de tornillos hacia arriba o abajo debajo del soporte en la parte superior de la puerta para nivelar el panel.
7. Bloquee el panel a la puerta, instalando las tuercas provistas en los postes de tornillo en la parte superior de la puerta. Luego, atornille el soporte en L provisto sobre la parte inferior de la puerta y el panel.

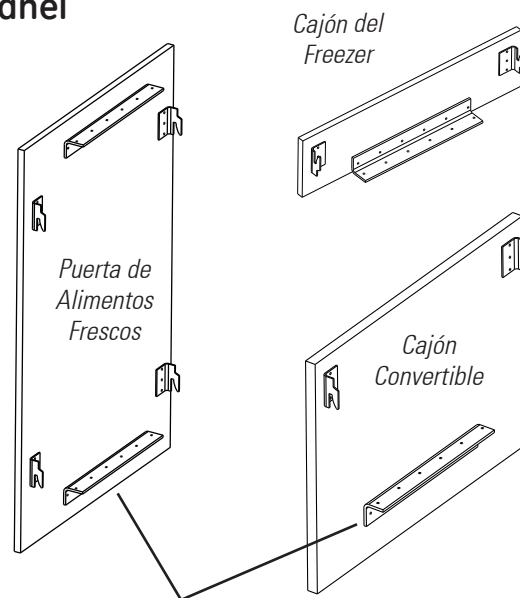


PASO 12 INSTALE LOS PANELES DE LA PUERTA Y DEL CAJÓN (cont.)

7. Instale el panel del cajón del Freezer deslizando los soportes hacia arriba en sus lugares correspondientes (la dirección opuesta de los ganchos en el panel de alimentos frescos y el cajón Convertible).
8. Una vez que el panel del cajón esté colocado, ajuste el panel al cajón atornillando el soporte inferior en el panel con los tornillos provistos.
9. Repita con el segundo cajón deslizando los ganchos hacia abajo en lugar de hacerlo hacia arriba.
10. Si está usando un tope de pie a medida, añada el panel del tope de pie colocando Velcro en la parte trasera del panel, y en la parte delantera del tope de pie. Si utilizará un tope de pie SS, éste es magnético.
11. Ajuste la alineación del cajón usando soportes inferiores según sea necesario, a fin de crear espacios uniformes.



Vista Trasera de los Ganchos y Soporte del Panel

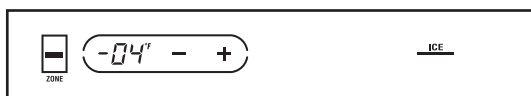


Los soportes inferiores del Cajón de Alimentos Frescos y Convertible no se deberán instalar hasta que el panel se encuentre colocado.

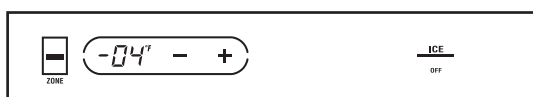
Instrucciones de Instalación

PASO 13 ENCIENDA LA MÁQUINA DE HACER HIELO

- Presione el indicador de ZONE (Zona) en la tecla de control dos veces para seleccionar el cajón del freezer. Presione el ícono ICE (Hielo) en el lado derecho del control. Aparecerá una línea debajo de ICE (Hielo) que mostrará que la máquina de hacer hielo está en ON (Encendido).
- Asegúrese de que nada interfiera con la extensión del brazo indicador.
- Descarte el primer balde lleno de cubos de hielo.



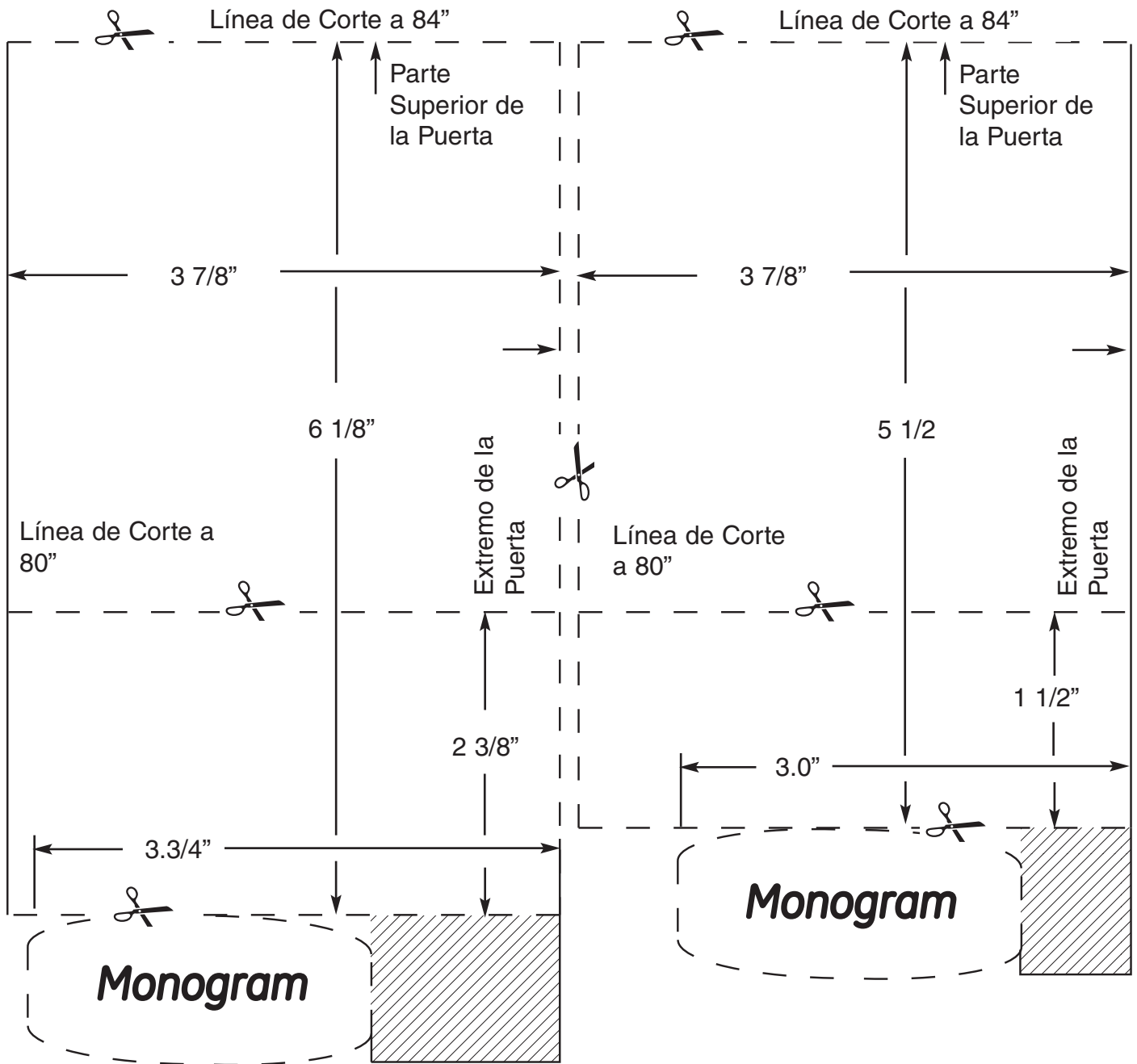
- Para apagar la máquina de hacer hielo, presione el ícono ICE (Hielo). La palabra OFF (Apagar) aparece debajo de ICE (Hielo), indicando que la máquina de hacer hielo está en OFF (Apagar).



Instrucciones de Instalación

Plantilla de Insignia del Panel de Profesión

Plantilla de Insignia del Panel



- Para instalar el escudo, la plantilla de corte que coincida con el estilo de panel de comprar, europeo o profesional.
- Recorte de plantilla, ya sea para 80 "o 84" tipo de panel.
- Alinear la plantilla en la esquina superior más cercana insignia Hing y lugar.
- * Para las bisagras en la plantilla de la izquierda, dar la vuelta.
Sección de sombra debe estar entre borde de la puerta y placa.

Notas

NOTA: Al realizar las instalaciones descritas en este libro, se deberán usar anteojos o gafas de seguridad.

Para acceder al servicio local de Monogram® en su área, llame al 1.800.444.1845.

NOTA: General Electric se esfuerza de forma constante por mejorar sus productos. Por lo tanto, los materiales, el aspecto y las especificaciones están sujetas a cambios sin aviso previo.

197D8125P002
31-46542-3

04-12 GE



GE Consumer & Industrial
Appliances
General Electric Company
Louisville, KY 40225
GEAppliances.com