

GDWF100R/160R

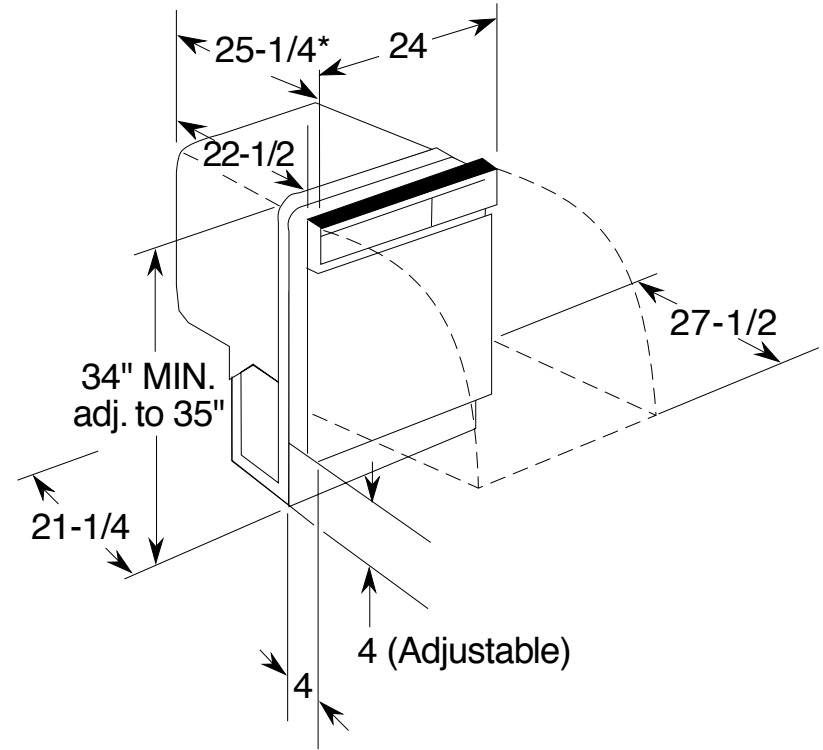
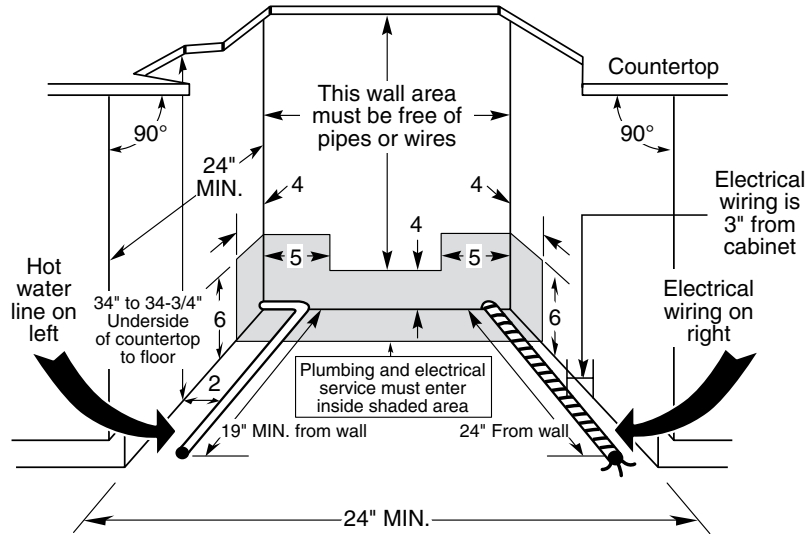
GE® Built-In Dishwasher

Dimensions and Installation Information (in inches)

Electrical Rating

Voltage AC.....	120
Hertz.....	60
Total connected load amperage.....	10
Calrod® heater watts max.....	875

For use on adequately wired 120-volt, 15-amp circuit having 2-wire service with a separate ground wire. This appliance must be grounded for safe operation.



For answers to your Monogram®, GE Profile™ or GE® appliance questions, visit our website at ge.com or call GE Answer Center® service, 800.626.2000.



Listed by Underwriters Laboratories



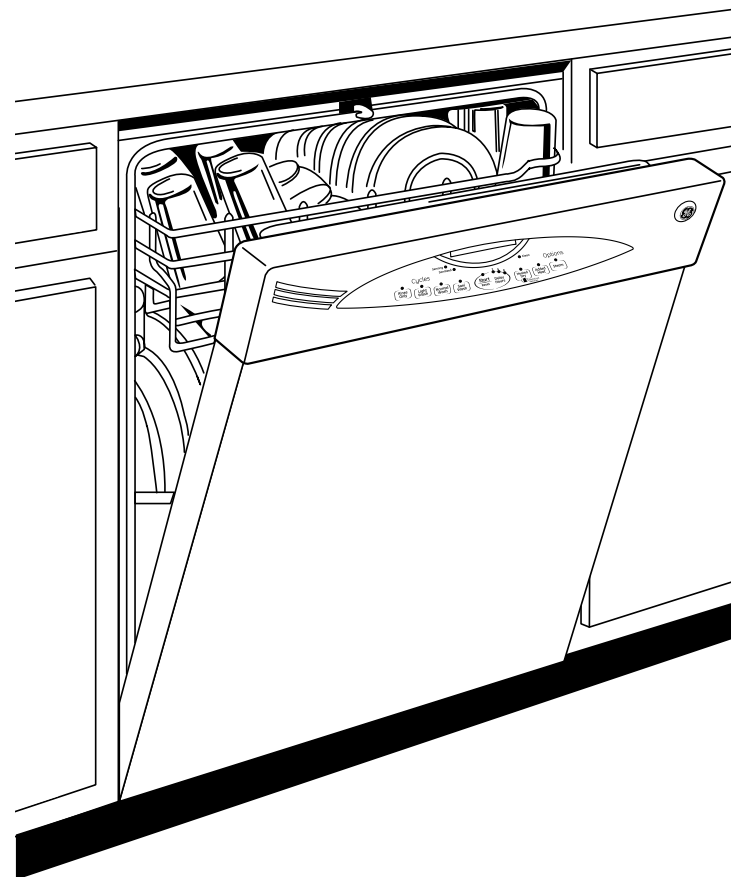
As an ENERGY STAR® partner, GE has determined that this product meets the ENERGY STAR guidelines for energy efficiency.

GDWF100R/160R

GE® Built-In Dishwasher

Features and Benefits

- Bright annealed stainless steel interior - Lustrous interior looks great and stands up to stains
- PureClean wash system with 5-stage filtration - Multiple filtration levels ensure clean dishes
- CleanSensor™ - A tiny laser measures soil levels and water temperature to adjust to the ideal cycle time
- SaniWash cycle - Special cycle reduces 99.999% of harmful germs and bacteria
- 2/4/8-hour Delay Start - Set the time to wash dishes at a later time
- Nylon racks - Durable racks are designed to resist rust and secure dishes
- Model GDWF160RSS - Stainless steel
- Model GDWF100RWW - White on white
- Model GDWF100RBB - Black on black



As an ENERGY STAR® partner, GE has determined that this product meets the ENERGY STAR guidelines for energy efficiency.