

Installation Instructions

Commercial Clothes Washer

If you have questions, call 800.GE.CARES (800.432.2737) or visit our website at: www.ge.com



BEFORE YOU BEGIN

Read these instructions completely and carefully.

IMPORTANT – Observe all governing codes and ordinances.

- **Note to Installer** – Be sure to leave these instructions for the consumer's and local inspector's use.
- **Note to Consumer** – Keep these instructions with your Owner's Manual for future reference.
- **Skill Level** – Installation of this dishwasher requires basic mechanical, electrical and plumbing skills. **Proper installation is the responsibility of the installer. Product failure due to improper installation is not covered under the GE Appliance Warranty. See warranty information.**
- **Completion Time – 1 to 3 Hours.** New installations require more time than replacement installations.

IMPORTANT – The washer **MUST** be installed to allow for future removal from the enclosure if service is required.

If you received a damaged dishwasher, you should immediately contact your dealer or builder.

Optional Accessories – See the Owner's Manual for available custom panel kits.

FOR YOUR SAFETY

Read and observe all CAUTIONS and WARNINGS shown throughout these instructions. While performing installations described in this booklet, gloves, safety glasses or goggles should be worn.



**READ CAREFULLY.
KEEP THESE INSTRUCTIONS.**

SPECIFICATIONS SUBJECT TO CHANGE WITHOUT NOTICE

GE Consumer & Industrial
General Electric Company
Louisville, Kentucky 40225

ge.com

© 2006 General Electric Company
143B9310P035
Pub. No. 31-16545
ND 07D-2178 (4/07)

Installation Preparation

TOOLS YOU WILL NEED

- Socket set
- Slip joint pliers

INSTALLATION REQUIREMENTS:

LOCATION

Washer must be installed on firm flooring to minimize vibration during spin cycles. Concrete flooring is best, but wood base is sufficient provided that floor support meets FHA standards. Washer should not be installed on rugs or carpet, be exposed to weather or temperatures below freezing.

PLUMBING

- **Water Pressure**—Must be 20 psi minimum to 150 psi maximum dynamic pressure measured at faucet.
- **Water Temperature**—Water heater should be set to deliver water at 120°F to 150°F (50°C to 66°C) IN THE WASHER when HOT wash is selected.
- **Shutoff Valves**—Both hot and cold shutoff valves (faucets) should be supplied.
- **Drain**—Water may be drained into a standpipe or set tub. The discharge height **MUST NOT BE LESS THAN 30 INCHES** nor more than 6 feet above the base of the washer. The standpipe must be 1-1/2 inches minimum inside diameter and must be open to the atmosphere.

PREPARE ELECTRICAL WIRING



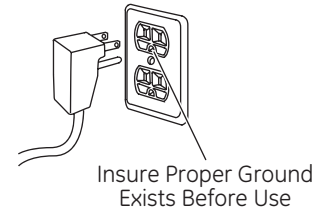
FOR PERSONAL SAFETY:

- FOR PERSONAL SAFETY DO NOT USE AN EXTENSION CORD OR ADAPTOR PLUG WITH THIS APPLIANCE.
- DO NOT, UNDER ANY CIRCUMSTANCE, CUT OR REMOVE THE THIRD GROUNDING PRONG FROM THE POWER CORD.
- FOLLOW NATIONAL ELECTRIC CODE ANSI/NFPA 70 OR LOCAL CODES AND ORDINANCES.

ELECTRICAL PREPARATION

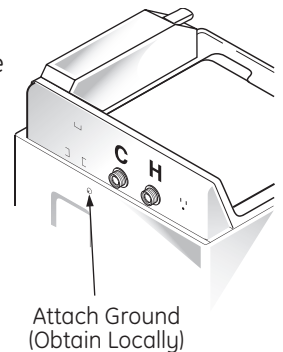
This appliance must be supplied with 115V, 60 Hz, and connected to an individual, properly grounded branch circuit, protected by a 15 or 20 amp circuit breaker or fuse.

- If the electric supply provided does not meet the above specifications, call a licensed electrician.



GROUNDING INSTRUCTIONS

This appliance must be grounded. In the event of malfunction or breakdown, grounding will reduce the risk of electric shock by providing a path of least resistance for electrical current. This appliance is equipped with a cord having an equipment-grounding conductor and a grounding plug. The plug must be plugged into an appropriate outlet that is properly installed and grounded in accordance with all local codes and ordinances.



If required, an external ground wire (not provided) which meets local codes may be added. Attach to washer cabinet with sheet metal screws (not provided) to rear of washer as illustrated. The screw required is a #8 sheet metal screw, 18 threads per inch, 1/2 inch long. It can be obtained locally at any hardware store.

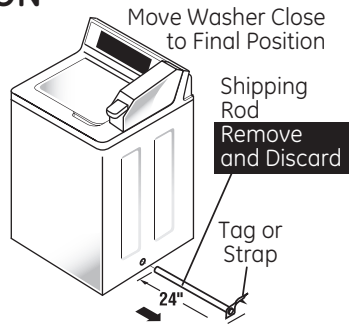
WARNING

Improper connection of the equipment-grounding conductor can result in a risk of electric shock. Check with a qualified electrician if you are in doubt as to whether the appliance is properly grounded.

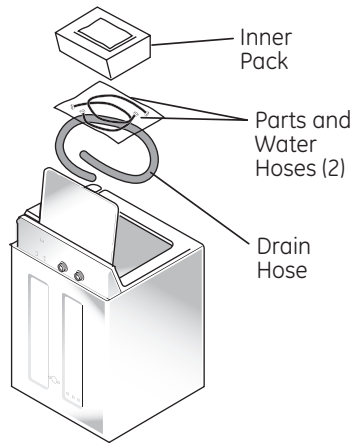
Installation Instructions

STEP 1 PREPARE WASHER FOR INSTALLATION

- Grasp shipping rod on lower right side (it has a tag or strap), and pull rod straight out and discard.



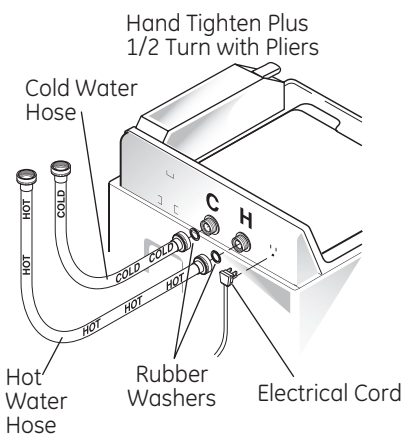
- Remove inner pack and installation accessories from under lid. Drain hose is in washer basket.



- Move washer to installation location for remaining hose and electrical preparation.

STEP 2 ATTACH FILL HOSES TO WASHER

Insert rubber washers into both hands of each fill hose. Attach fill hose marked HOT to hot washer inlet valve. Attach fill hose marked COLD to cold washer inlet valve. Couplings should be hand tightened plus 1/2 turn with pliers.



STEP 3 ATTACH DRAIN HOSE TO WASHER

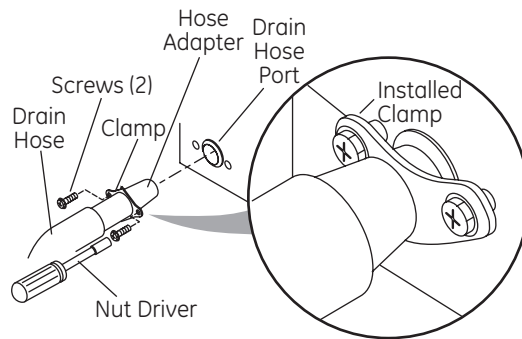
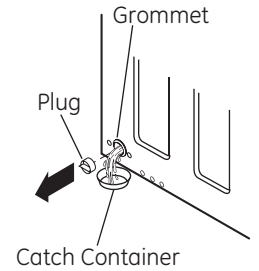
- Make certain all installation items have been removed from the washer basket.

- IMPORTANT:** If the red plug is present in grommet, remove red plug from drain hose port.

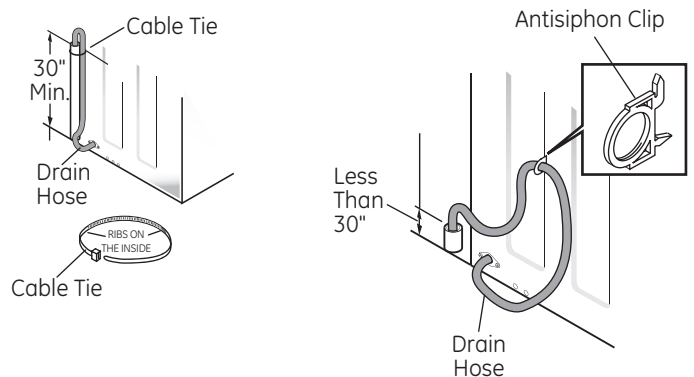
NOTE: Some water may be present, this is normal.

- Locate plastic drain hose adapter. Place hose clamp over drain hose end. Insert drain hose adapter into bent end of drain hose. Position clamp to secure hose adapter to drain hose. Push plastic hose clamp over hose adapter into grooved slot.

NOTE: This requires some force to install, and has a positive click when forced into port. A positive click will ensure that the proper amount of force has been applied.



- Push plastic conical end of drain hose adapter into washer drain hose port. Insert two screws found in installation pack, and drive screws to mount drain hose washer.

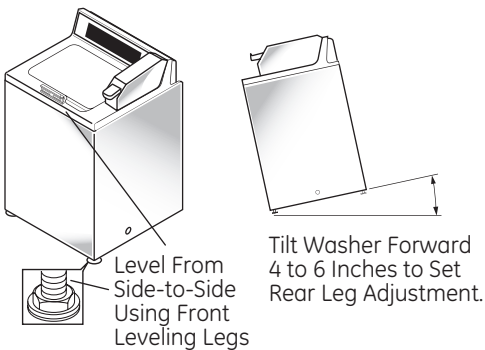


NOTE: If drain hose facility does not meet the 30" minimum standpipe height requirement, thread drain hose through supplied antisiphon clip and mount to cabinet back as shown. Mount antisiphon clip by inserting top clip into top mounting hole and snap second clip into position.

Installation Instructions

STEP 4 ADJUST LEVELING LEGS

- Place level on front top edge of washer.
- Adjust front leveling legs until washer is level from side-to-side. Remove level.
- Tilt washer forward (pivot on front legs) 4 to 6 inches. This action will set rear leg adjustments to correspond to front setting.
- Gently set washer back down.



STEP 5 INSTALL FILL HOSES

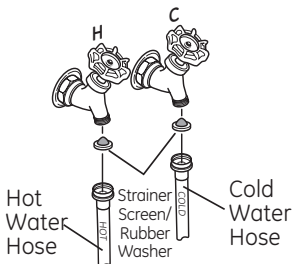
- Be sure water supply lines have been thoroughly flushed.
- Move washer to final location. DO NOT let fill or drain hoses drag and get under washer.

CAUTION

BE SURE FILL HOSES ARE FIRMLY SECURED TO FAUCETS.

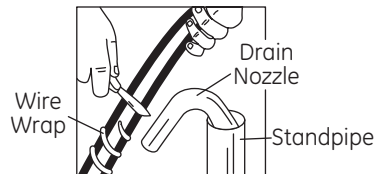
- Determine which is the HOT water line before attaching fill hoses to faucets. Traditionally, HOT faucet is on the left. Be sure rubber washers are in both ends of washer fill hoses. Connect hose from inlet valve on washer (marked HOT) to hot faucet and connect hose from COLD inlet valve to cold faucet. Couplings should be hand tightened plus 1/2 turn with pliers.

Hand Tighten Plus 1/2 Turn with Pliers

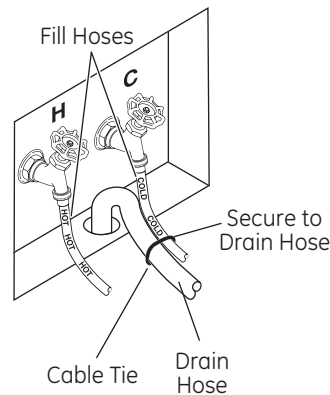


STEP 6 INSTALL DRAIN HOSE

- Insert one end of aluminum drain nozzle into standpipe.
- Slip or cut wire wrap back approximately 2" below top of standpipe.
- Cut drain hose just below standpipe. Place silver hose clamp over black drain hose end.
- Insert drain nozzle into end of drain hose, and position clamp to secure drain nozzle to drain hose.



- Install drain hose in drain facility and secure with cable tie strap provided as illustrated.



NOTE: Drain hose nozzle may be shortened if original length prevents full insertion into drain facility.

CAUTION

BE SURE DRAIN HOSE IS TAPED OR SECURED TO STANDPIPE OR OTHER DRAIN FACILITY.

NOTE: Water may be drained into a standpipe. The discharge height must not be less than 30 inches, nor more than 6 feet above base of washer. Standpipe must be 1-1/2" minimum inside diameter and must be open to atmosphere.

Installation Instructions

STEP 7 COIN BOX MODELS ONLY ECONOMY WATER USAGE

The pressure switch is set in the factory for the high water level and usage.

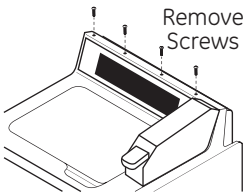
To change setting from high water level to medium or low:



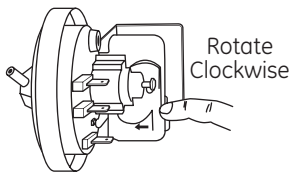
WARNING

MAKE SURE WASHER IS UNPLUGGED FROM ELECTRICAL OUTLET.


- Remove 4 torx screws from back of control panel and lay control panel front on cover.



- From the front, move white plastic cam on pressure switch in the clockwise position with your finger until it clicks over into the medium or low water position. (See illustration below).



STEP 8 ELECTRICAL CONNECTION



CAUTION

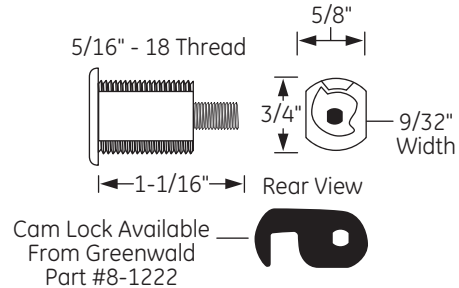
BEFORE PLUGGING IN APPLIANCE, READ ELECTRICAL AND PLUMBING REQUIREMENTS AND CHECK LIST.

Plug electrical power cord into a properly grounded wall outlet.

STEP 9 SPECIAL INSTRUCTIONS ON MODELS WITH SECURITY LOCK CAPABILITY

COVER SECURITY LOCK INSTALLATION

Washer cover is designed to accept stud type lock as shown below.

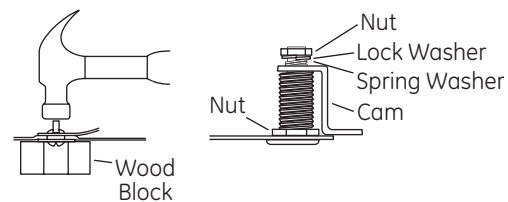


To install lock:

- Remove plastic insert in front of cover.
- Install the lock washer on the lock shaft and locate so that the lock can be engaged in a counterclockwise direction.
- Insert lock mechanism into cover opening and tighten until snug. (Overtightening may damage painted surfaces.)
- Install cam and tighten until snug.

ACCESS DOOR LOCK INSTALLATION

To remove the access door retainer before installing a lock, place the door over a wood block with a 1/2" hole drilled in it and tap end of screw lightly with a hammer.



Installation Instructions

STEP 10 CHECK LIST

Review this list after installing the washer to avoid a charge for a service call not covered by the warranty.

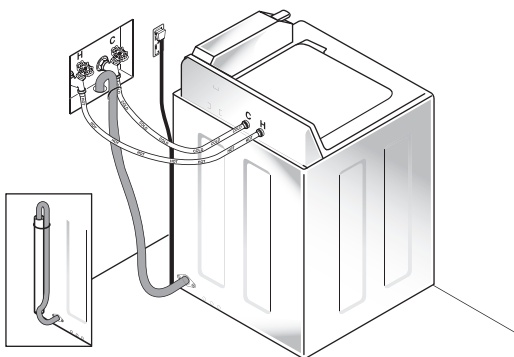
AFTER INSTALLATION CHECK THE FOLLOWING:

- Drain hose** must be pulled tight and secured to drain facility to prevent lifting out of drain facility during discharge. Nozzle clamp must be securely tightened to prevent leaks. MAKE SURE DRAIN HOSE IS NOT RUBBING AGAINST CONCRETE OR BLOCK WALL. RUBBING MAY WEAR HOLES IN HOSE.
- Hose Washers**—Rubber washers in both ends of fill hoses.
- Hose Connections**—Hot side (left valve) connected to hot water supply, cold side (right valve) to cold water supply. All connections should be hand tightened plus 1/2 turn with pliers.
- Grounding**—Must be properly grounded to conform to local code and ordinances.
- Leveling**—Adjust front leveling legs as necessary (prelevelled from the factory at 1"). Check side to side and front to back. Tilt forward approximately 4" to adjust rear self-leveling legs.
- Operation**—Turn on faucets and run washer completely through cycle by hand. Check for leaks, noise, vibration, correct water temperatures and proper operation in wash and spin. While washer is in spin, raise lid and check lid switch and brake operation.

STEP 11 LITERATURE

- Be sure to leave complete literature package and installation instructions with consumer.

TYPICAL HOSE INSTALLATIONS:



Typical Completed Washer Assembly

WARNING

For your safety, the information in these instructions must be followed to minimize the risk of fire or explosion, electric shock, or to prevent property damage, personal injury, or loss of life.

WATER HEATER SAFETY

- Under certain conditions hydrogen gas may be produced in a water heater than has not been used for two weeks or more. Hydrogen gas can be explosive under these circumstances.
- If the hot water has not been used for two weeks or more, prevent the possibility of damage or injury by turning on all hot water faucets and allowing them to run for several minutes. Do this before using any electrical appliance which is connected to the hot water system. This simple procedure will allow any built-in hydrogen gas to escape. Since the gas is flammable, do not smoke or use an open flame or appliance during this process.

YOUR LAUNDRY AREA

- Keep the area underneath and around your appliances free of combustible materials such as lint, paper, rags, chemicals, etc.
- Close supervision is necessary if this appliance is used by or near children. Do not allow children to play on, with, or inside this or any other appliance.

WHEN USING THE WASHER

- Never reach into washer while it is moving. Wait until the machine has completely stopped before opening the lid.
- Do not mix chlorine bleach with ammonia or acids such as vinegar and/or rust remover. Mixing different chemicals can produce a toxic gas which may cause death.
- Do not wash or dry articles that have been cleaned in, washed in, soaked in, or spotted with combustible or explosive substances (such as wax, oil, paint, gasoline, degreasers, dry-cleaning solvents, kerosene, etc.). These substances give off vapors that may ignite or explode. Do not add these substances to the wash water. Do not use or place these substances around your washer or dryer during operation.
- The laundry process can reduce the flame retardancy of fabrics. To avoid such a result, carefully follow the garment manufacturer's wash and care instructions.
- To minimize the possibility of electric shock, unplug this appliance from the power supply or disconnect the washer at the household distribution panel by removing the fuse or switching off the circuit breaker before attempting any maintenance or cleaning. **NOTE:** Turning the Cycle Selector knob to an off position does NOT disconnect the appliance from the power supply.
- Never attempt to operate this appliance if it is damaged, malfunctioning, partially disassembled, or has missing or broken parts, including a damaged cord or plug.

WHEN NOT IN USE

- Turn off water faucets to relieve pressure on hoses and valves and to minimize leakage if a break or rupture should occur. Check the condition of the fill hoses; they should be replaced every 5 years.
- Before discharging a washer, or removing it from service, remove the washer lid to prevent children from hiding inside.
- Do not attempt to repair or replace any part of this appliance unless specifically recommended in these instructions or in published user-repair instructions that you understand and have the skills to carry out.
- Do not tamper with controls.

**READ AND FOLLOW THIS SAFETY INFORMATION CAREFULLY.
SAVE THESE INSTRUCTIONS**

Instructions d'installation

Machine à laver commerciale

Si vous avez des questions, appelez 800-GE CARES ou visitez notre site Web :
www.GEAppliances.com



AVANT DE COMMENCER

Lire ces consignes avec grande attention.

IMPORTANT

– Prenez immédiatement contact avec le distributeur ou le fabricant si vous avez reçu une machine à laver endommagée.

IMPORTANT

– Il faut respecter tous les codes et ordonnances en vigueur.

- **Remarque à l'installateur** - Veillez à laisser cette notice sur le lieu d'installation pour que le consommateur et l'inspecteur local puissent s'y référer.
- **Niveau de compétence requis** - Il faut posséder des capacités mécaniques et électriques élémentaires pour installer cette machine à laver commerciale. **L'installateur est responsable de l'installation correcte de la machine. La garantie des appareils GE ne couvre pas une défaillance qui résulte d'une installation incorrecte.**

CONSIGNES DE SÉCURITÉ

Il faut lire et respecter toutes les ATTENTIONS (mises en garde) et **AVERTISSEMENTS contenus** dans cette notice.



**LISEZ SOIGNEUSEMENT.
SAUVEGARDEZ CES DIRECTIVES.**

CES SPÉCIFICATIONS PEUVENT ÊTRE MODIFIÉES SANS PRÉAVIS.

GE Consumer & Industrial
General Electric Company
Louisville, Kentucky 40225

ge.com

© 2006 General Electric Company
143B9310P035
Pub. No. 31-16545
ND 07D-2178 (4/07)

Préparation pour l'installation

OUTILS REQUIS :

Jeu de douilles
Pince à jointure glissante

CONDITIONS D'INSTALLATION :

EMPLACEMENT

La machine à laver doit être installée sur un sol résistant pour minimiser les vibrations au cours des cycles d'essorage. Un plancher en béton est ce qu'il y a de mieux, mais une base de bois convient également, à condition que le support se conforme aux normes de l'administration FHA. Ne pas installer la machine à laver sur un tapis ou de la moquette, ne pas la laisser à l'extérieur ou l'exposer à des températures de gel.

PLOMBERIE

- **Pression d'eau** - la pression dynamique doit se trouver dans une plage de minimum 20 psi à maximum 150 psi, mesurée au robinet.
- **Température d'eau** - régler le chauffe-eau de la maison de sorte que l'eau coule **DANS LA MACHINE** à une température entre 120 à 150 °F (50 à 66 °C) lors d'un lavage à CHAUD.
- **Robinet d'arrêt** - les robinets d'arrêt d'eau chaude et d'eau froide doivent être fournis.
- **Vidange** - l'eau peut s'écouler dans un tuyau ascendant ou un bac à laver. La hauteur d'évacuation **NE PEUT PAS ÊTRE MOINS DE 30 po (76 cm)** ou plus de 6 pieds (1,8 m) au-dessus de la base de la machine à laver. Le tuyau ascendant doit avoir un diamètre interne d'au moins 1-1/2 po (3,8 cm) et être exposé à l'air.

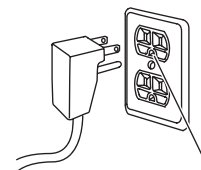
SPÉCIFICATIONS POUR L'INSTALLATION DU SYSTÈME ÉLECTRIQUE ET DE LA PLOMBERIE



- **POUR DES RAISONS DE SÉCURITÉ PERSONNELLE, NE PAS UTILISER UNE RALLONGE OU UN ADAPTATEUR DE PRISE AVEC CET APPAREIL.**
- **NE JAMAIS COUPER OU ENLEVER LA TROISIÈME BROCHE DE MISE À LA TERRE DU CORDON D'ALIMENTATION.**
- **RESPECTER LE CODE ÉLECTRIQUE ANSI/NFPA 70 OU LES CODES ET ORDONNANCES LOCAUX.**

ALIMENTATION ÉLECTRIQUE

Cette machine doit être alimentée par un courant de 115 volts, 60 Hz et doit être raccordée à un circuit de dérivation individuel, mis à terre correctement et protégé par un disjoncteur ou un fusible temporisé de 15 à 20 ampères.

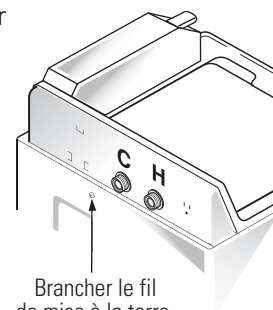


Vérifier que la machine est correctement mise à la terre avant l'utiliser

- Si l'alimentation électrique ne répond pas à ces spécifications, consulter un électricien qualifié.

INSTRUCTIONS DE MISE À LA TERRE

Cet appareil doit être mis à la terre. En cas de mauvais fonctionnement ou de panne, la mise à la terre réduit le risque de choc électrique en fournissant un passage de moindre résistance au courant électrique. L'appareil est équipé d'un cordon d'alimentation à conducteur de mise à la terre d'équipement et fiche de mise à la terre. Il faut brancher la fiche sur une prise appropriée, correctement installée et mise à la terre conformément aux codes et ordonnances locaux.



Brancher le fil de mise à la terre (obtenir localement)

Si nécessaire, on peut ajouter un fil de mise à la terre externe (non fourni) qui répond aux codes locaux. Le raccorder à l'arrière de l'armoire de la machine à laver avec des vis à tôle (non fournies), tel illustré. Il faut une vis à tôle n° 8, 18 filets par pouce et longue de 1-1/2 po. Elle peut être obtenue dans n'importe quelle quincaillerie.



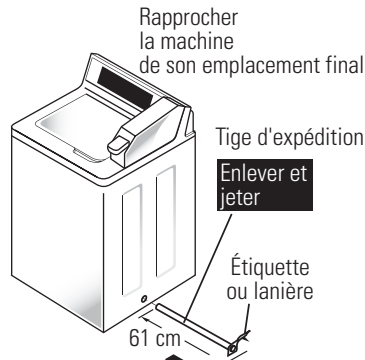
AVERTISSEMENT :

il peut y avoir un risque de choc électrique si le conducteur de mise à la terre de la machine est mal reccordé. S'il existe un doute que la machine a été correctement mise à la terre, consultez un technicien qualifié.

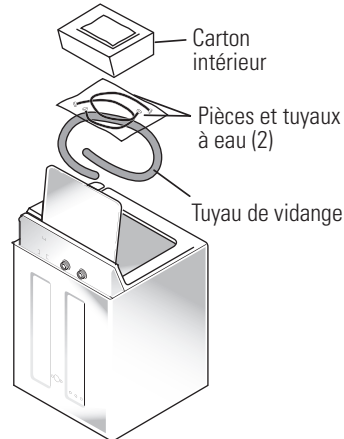
Préparation pour l'installation

ÉTAPE 1 PRÉPARATION À L'INSTALLATION DE LA MACHINE À LAVER

- Tirer la tige d'expédition située au côté inférieur droit (elle porte une étiquette ou une lanière) vers le dehors et s'en débarrasser.]



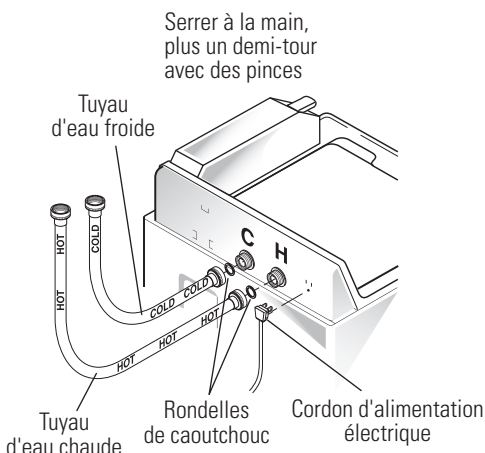
- Enlever le carton intérieur et les accessoires d'installation situés sous le couvercle. Le tuyau de vidage se trouve dans la cuve de lavage.



- Déplacer la machine à laver vers le lieu d'installation pour mettre en place les tuyaux et préparer le système électrique.

ÉTAPE 2 RACCORDEMENT DES TUYAUX DE REMPLISSAGE À LA MACHINE

Introduire les rondelles de caoutchouc dans les deux extrémités de chaque tuyau de remplissage. Raccorder le tuyau marqué HOT (chaud) au robinet de remplissage d'eau chaude de la machine à laver. Raccorder le tuyau marqué COLD (froid) au robinet de remplissage d'eau froide de la machine à laver. Serrer les raccords à la main, puis donner un demi-tour avec des pinces.



ÉTAPE 3 RACCORDEMENT DU TUYAU DE VIDANGE À LA MACHINE

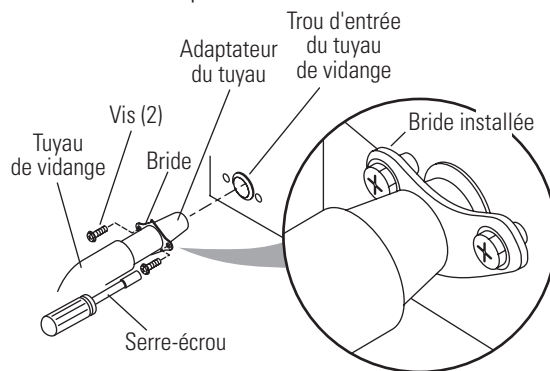
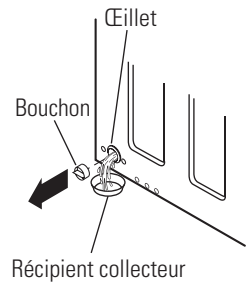
- Vérifier que toutes les pièces de montage ont été enlevées du panier de la machine à laver.

- **IMPORTANT** : Si le bouchon rouge est présent dans l'anneau: enlever le bouchon rouge de l'orifice du tuyau de vidage.

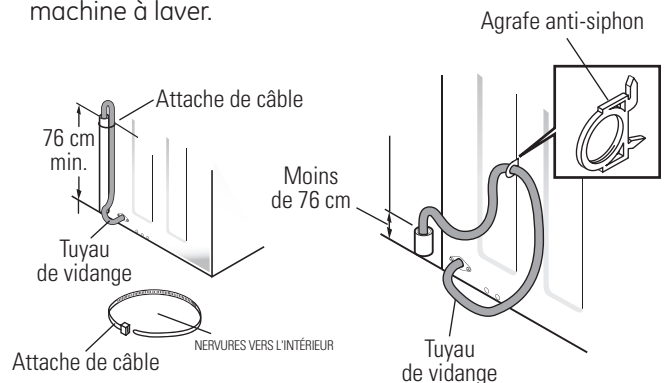
REMARQUE : Il peut y avoir un peu d'eau. C'est normal.

- Trouver l'adaptateur du tuyau de vidage. Placer la bride d'attache sur l'extrémité du tuyau de vidage. Introduire l'adaptateur dans l'extrémité courbée du tuyau de vidage. Placer le collier de serrage de façon à raccorder l'adaptateur de tuyau au tuyau de vidage. Pousser la bride d'attache par-dessus l'adaptateur dans la rainure.

REMARQUE : Il faut pousser énergiquement jusqu'à ce qu'on entende un déclic lorsque la bride rentre dans l'orifice. Le déclic assure qu'assez de force a été utilisée.



- Introduire le bout conique de l'adaptateur du tuyau de vidage dans l'orifice du tuyau de vidage de la machine. Visser les deux vis qui se trouvent dans le paquet d'installation pour attacher le tuyau de vidage à la machine à laver.

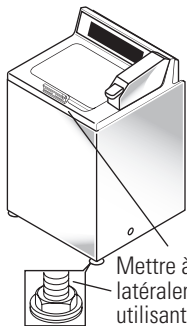


REMARQUE : Si le tuyau de réservoir n'atteint pas la hauteur minimale requise de 30 po (76 cm), faire passer le tuyau à travers l'agrafe anti-siphon fournie et l'attacher au dos de la machine, tel illustré. Installer l'agrafe anti-siphon en glissant l'agrafe supérieure dans le trou de montage supérieur et en enclenchant la deuxième agrafe en place.

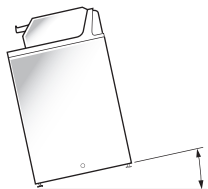
Préparation pour l'installation

ÉTAPE 4 AJUSTEMENT DES PATTES DE MISE À NIVEAU

- Placer le niveau sur la partie avant du haut de la machine à laver.
- Ajuster les pattes avant de mise à niveau jusqu'à ce que la machine soit à niveau d'un côté à l'autre. Enlever le niveau.
- Basculer la machine vers l'avant de 4 à 6 po (10 à 15 cm). Cette manœuvre règle les pattes arrière de mise à niveau de façon à correspondre au niveau des pattes avant.
- Remettre doucement la machine en place sur le sol.



Mettre à niveau latéralement en utilisant les pattes de mise à niveau avant



Basculer la machine à laver vers l'avant de 10 à 15 cm pour régler les pattes arrière

ÉTAPE 5 INSTALLATION DES TUYAUX DE REMPLISSAGE

- S'assurer que les conduites d'alimentation d'eau ont été complètement vidangées.
- Déplacer la machine à laver vers son emplacement final. NE PAS PERMETTRE aux tuyaux de remplissage et de vidange de traîner par terre ou de se coincer sous la machine.

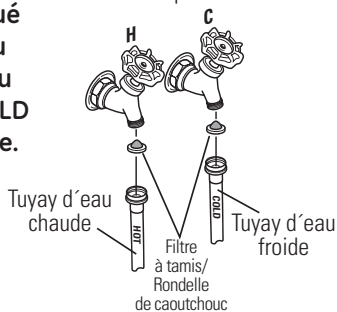


ATTENTION

VÉRIFIER QUE LE TUYAUX DE REMPLISSAGE SONT FERMEMENT RACCORDÉS AUX ROBINETS.

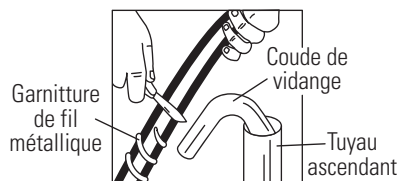
- Identifier la sortie d'eau CHAUDE (HOT) avant de raccorder les tuyaux de remplissage aux robinets. Le robinet d'eau CHAUDE (HOT) se trouve habituellement à gauche. S'assurer que des rondelles en caoutchouc ont été placées à chaque extrémité des deux tuyaux de remplissage. Raccorder le tuyau du robinet d'entrée de la machine à laver (marqué HOT - chaud) au robinet d'eau chaude et raccorder le tuyau robinet d'entrée marqué COLD (froid) au robinet d'eau froide. Serrer les raccords à la main, puis donner un demi-tour avec des pinces.

Serrer à la main, plus un demi-tour avec des pinces

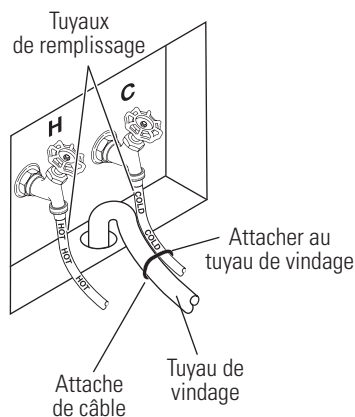


ÉTAPE 6 INSTALLATION DU TUYAU DE VIDANGE

- Introduire un bout du coude de vidange en aluminium dans le tuyau ascendant.
- Repousser ou couper la garniture du fil métallique jusqu'à environ 2 po (5 cm) en dessous du haut du tuyau ascendant.
- Couper le tuyau de vidange juste en dessous du tuyau ascendant. Placer l'attache de câble argentée au-dessus de l'extrémité du tuyau de vidange noir.
- Introduire le coude de vidange dans l'extrémité du tuyau de vidange et placer l'attache de câble de façon à raccorder le coude au tuyau.



- Placer le tuyau de vidange dans le système de vidange et attacher avec l'attache de câble fournie ou avec du ruban adhésif, tel illustré.



REMARQUE : On peut raccourcir le coude du tuyau de vidange si la longueur originelle ne permet pas de l'introduire complètement dans le système de vidange.



ATTENTION

VÉRIFIER QUE LE TUYAU DE VIDANGE EST BIEN COLLÉ OU AUTREMENT ATTACHÉ AU TUYAU ASCENDANT OU À UN AUTRE SYSTÈME DE VIDANGE.

REMARQUE - L'eau peut être vidangée dans un tuyau ascendant. La hauteur d'évacuation ne peut pas être moins de 30 po (76 cm) ou plus de 6 pieds (1,8 m) au-dessus de la base de la machine à laver. Le tuyau ascendant doit avoir un diamètre interne d'au moins 1-1/2 po (3,8 cm) et être exposé à l'air.

Préparation pour l'installation

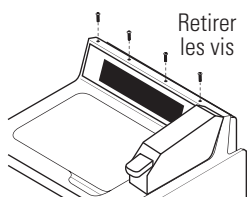
ÉTAPE 7 UTILISATION ÉCONOMIQUE D'EAU UNIQUEMENT SUR LES MACHINES PAYANTES

Le manostat est réglé à l'usine pour un niveau et un usage d'eau élevés.

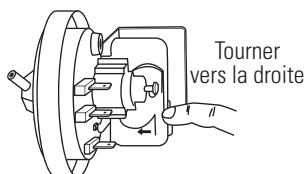
Pour changer le réglage du niveau élevé à un niveau moyen ou bas :

! AVERTISSEMENT
VÉRIFIER QUE LA MACHINE À LAVER N'EST PAS BRANCHÉE SUR UNE PRISE DE COURANT.

- Retirer les quatre vis torx de l'arrière du panneau de commande et coucher l'avant du panneau sur le couvercle.



- De l'avant, pousser du doigt la came blanche en plastique du manostat vers la droite jusqu'à ce qu'elle s'enclenche en position niveau d'eau moyen ou bas. (Voir l'illustration ci-dessous.)



ÉTAPE 8 RACCORDEMENT ÉLECTRIQUE

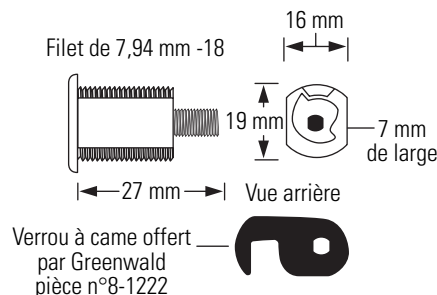
! ATTENTION
CONSULTER LES SPÉCIFICATIONS DE L'ALIMENTATION ÉLECTRIQUE ET DE LA PLOMBERIE ET VÉRIFIER LA LISTE DE CONTRÔLE AVANT DE BRANCHER L'APPAREIL.

Brancher le cordon d'alimentation sur une prise murale correctement mise à la terre.

ÉTAPE 9 DIRECTIVES PARTICULIÈRES POUR LES MODÈLES ÉQUIPÉS D'UNE SERRURE DE SÉCURITÉ

INSTALLATION D'UNE SERRURE DE SÉCURITÉ SUR LE COUVERCLE

Le couvercle de la machine à laver peut être équipé d'une serrure de contact, comme illustré ci-après.

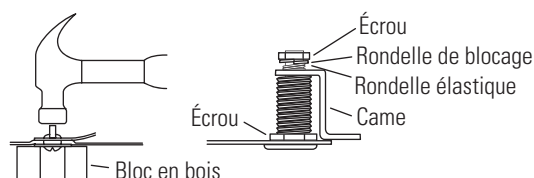


Installation de la serrure :

- Enlever la pièce en plastique de l'avant du couvercle.
- Placer la rondelle de serrure sur l'arbre de verrouillage de sorte que le verrou puisse s'enclencher vers la gauche.
- Introduire le mécanisme de verrouillage dans l'ouverture du couvercle et serrer jusqu'à ce qu'il soit bien ajusté. (Un serrage excessif peut endommager les surfaces peintes.)
- Installer la came et serrer jusqu'à ce qu'elle soit bien ajustée.

INSTALLATION DE LA SERRURE DE LA PORTE D'ACCÈS

Pour enlever le dispositif de fixation de la porte d'accès avant l'installation d'une serrure, placer la porte sur un bloc en bois dans lequel on a foré un trou de 1/2 po (12 mm) et taper légèrement sur le bout de l'écrou avec un marteau.



Préparation pour l'installation

ÉTAPE 10 LISTE DE CONTRÔLE

Étudier cette liste après avoir installé la machine à laver ; ceci peut prévenir les frais d'un appel de service non couvert sous la garantie.

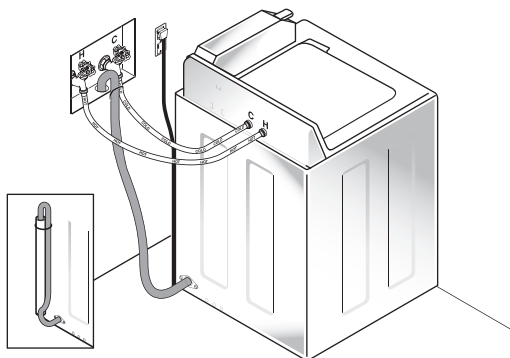
APRÈS L'INSTALLATION, VÉRIFIER LE SUIVANT :

- Le tuyau de vidange** doit être bien tendu et solidement raccordé au système de vidange pour empêcher qu'il ne sorte du système de vidange pendant l'évacuation d'eau. La bride d'attache du coude doit être bien serrée pour éviter des fuites d'eau. VÉRIFIER QUE LE TUYAU DE VIDANGE NE TOUCHE NI LE SOL, NI LE MUR. LA FRICTION PEUT PROVOQUER DES TROUS DANS LE TUYAU.
- Rondelles des tuyaux** – Des rondelles de caoutchouc doivent être en place dans chaque extrémité des tuyaux de remplissage.
- Raccordement des tuyaux** – Le côté chaud (robinet de gauche) doit être raccordé à l'eau chaude, le côté froid (robinet de droite) à l'eau froide. Tous les raccords doivent être serrés à la main, plus un demi-tour avec des pinces.
- Mise à la terre** – La mise à la terre doit se conformer aux codes et ordonnances locaux.
- Mise à niveau** – Ajuster les pieds avant selon le besoin (ils ont été préajustés à 1 po (25 mm) à l'usine). Vérifier d'un côté à l'autre et de l'avant à l'arrière. Pencher l'appareil vers l'avant d'environ 4 po (10 cm) pour ajuster la mise à niveau automatique des pieds arrière.
- Fonctionnement** – Ouvrir les robinets et faire passer la machine par un cycle complet à la main. Vérifier qu'il n'y a pas de fuites, de bruits et de vibrations, que la température de l'eau est correcte et que la machine à laver fonctionne correctement au cours des cycles de lavage et d'essorage. Pendant le cycle d'essorage, lever le couvercle et vérifier le fonctionnement du commutateur de couvercle et du frein.

ÉTAPE 11 DOCUMENTATION

- N'oublier pas de remettre au consommateur l'ensemble complet de la documentation et des instructions d'installation.

RACCORDEMENT TYPE DES TUYAUX :



Assemblage type de la machine à laver

Préparation pour l'installation



SÉCURITÉ DU CHAUFFE-EAU

- Dans certaines conditions, de l'hydrogène peut se développer dans un chauffe-eau qui n'a pas été utilisé pendant plus de deux semaines. Dans de telles circonstances, le gaz peut être explosif.
- Si le chauffe-eau n'a pas été utilisé pendant plus de deux semaines, prévenir le risque de dommages ou de blessures en ouvrant tous les robinets d'eau chaude et en laissant couler l'eau chaude pendant plusieurs minutes. Il faut effectuer cette manœuvre avant d'utiliser tout appareil électrique raccordé au chauffe-eau. Cette procédure simple permet à l'hydrogène accumulé de s'échapper. Le gaz étant inflammable, ne pas fumer ou utiliser une flamme ouverte ou un appareil électrique pendant ce processus.

LA BUANDERIE

- Enlever toutes matières combustibles, telles que les peluches, le papier, les chiffons ou les produits chimiques, des surfaces en dessous ou autour de la machine.
- Une supervision stricte est de rigueur si cet appareil est utilisé par ou à proximité des enfants. Ne pas permettre aux enfants de jouer sur, avec ou à l'intérieur de cette machine ou de tout autre appareil électroménager.

PENDANT L'UTILISATION DE LA MACHINE À LAVER

- Ne jamais mettre le bras dans la machine lorsqu'elle fonctionne. Attendre qu'elle s'est complètement arrêtée avant d'ouvrir le couvercle.
- Ne pas mélanger de l'eau de javel à de l'ammoniaque ou à des acides tels le vinaigre et/ou un produit antirouille. Le mélange de différents produits chimiques peut produire un gaz toxique pouvant être mortel.
- Ne pas laver ou sécher un article qui a été nettoyé ou lavé dans une substance combustible ou explosive ou qui en a été imbibé ou taché (par exemple, de la cire, de la graisse, de la peinture, de l'essence, du dégraissant, du solvant de nettoyage à sec ou du kérosène). Ces substances émettent des vapeurs pouvant causer un incendie ou une explosion. Ne pas ajouter de telles substances à l'eau de lavage. Ne pas les utiliser ou les placer à proximité de la machine à laver ou le sèche-linge lorsqu'une des machines fonctionne.

- Le lavage peut réduire les qualités ignifuges d'un tissu. Pour éviter que ceci se produise, il faut toujours scrupuleusement suivre les directives de nettoyage et d'entretien du fabricant du vêtement.
- Pour minimiser le risque de choc électrique, débrancher la machine à laver de la source d'alimentation ou déconnecter-la au tableau de distribution en enlevant le fusible ou en fermant le disjoncteur avant de tenter d'entretenir ou de nettoyer la machine. **REMARQUE** : Le fait de placer le bouton sélecteur de cycle sur «OFF» (arrêt) ne déconnecte PAS la machine de la source d'alimentation.
- Ne jamais tenter de faire marcher cette machine lorsqu'elle fonctionne mal, est endommagée ou partiellement démontée ou si des pièces manquent ou sont endommagées, y compris le câble d'alimentation ou la fiche.

LORSQUE LA MACHINE EST HORS USAGE

- Fermer les robinets d'eau pour alléger la pression sur les tuyaux et les vannes et minimiser les fuites en cas de cassure ou de rupture. Vérifier l'état des tuyaux de remplissage. Ceux-ci doivent être remplacés tous les 5 ans.
- Avant de se débarrasser d'une machine ou de l'enlever de son emplacement pour le service, enlever le couvercle de la machine pour empêcher qu'un enfant ne se dissimule à l'intérieur.
- Ne pas tenter de réparer ou de remplacer une pièce de cette machine sauf lorsque spécifiquement recommandé dans ces directives ou dans une publication contenant des directives de réparation par l'utilisateur qui sont compréhensibles et adaptées aux capacités de l'utilisateur.
- Ne pas modifier les commandes.

SOIGNEUSEMENT LIRE ET SUIVRE CETTE INFORMATION SUR LA SÉCURITÉ. SAUVEGARDER CES DIRECTIVES

Instrucciones de instalación

Lavadora comercial

Si tiene preguntas, llame a 800-GECARES o visite nuestro sitio web:
www.GEAppliances.com



ANTES DE COMENZAR

Lea cuidadosamente todas estas instrucciones.

IMPORTANTE – Si ha recibido una lavadora comercial dañada, comuníquese inmediatamente con su distribuidor o constructor.

IMPORTANTE – Debe cumplir con todos los códigos y ordenanzas locales vigentes.

- **Aviso para el instalador** – Deje estas instrucciones para uso del consumidor y el inspector local.
- **Nivel de capacitación** – Se requieren conocimientos mecánicos y eléctricos básicos para instalar esta lavadora comercial. **El instalador es responsable por la instalación correcta. La garantía de productos electrodomésticos de GE no cubre fallas de productos debido a instalación incorrecta.**

PARA SU SEGURIDAD

Lea y observe todas las PRECAUCIONES y ADVERTENCIAS que contiene estas instrucciones.



**LEA CUIDADOSAMENTE.
CONSERVE ESTAS INSTRUCCIONES.**

LAS ESPECIFICACIONES ESTÁN SUJETAS A CAMBIO SIN AVISO PREVIO.

GE Consumer & Industrial
General Electric Company
Louisville, Kentucky 40225

ge.com

Preparación para la instalación

HERRAMIENTAS NECESARIAS:

Juego de casquillos
Alicata ajustable

REQUERIMIENTOS DE INSTALACIÓN:

UBICACIÓN

La lavadora se debe instalar sobre un piso firme a fin de minimizar las vibraciones durante los ciclos de centrifugado. Un piso de concreto es ideal, pero una base de madera bastará, cuando dicha base cumpla con las normas FHA. La lavadora no se debe instalar sobre alfombra ni exponer a la intemperie o a temperaturas inferiores al punto de congelación.

PLOMERÍA

- **Presión del agua**—Presión dinámica mínima de 20 psi y máxima de 150 psi medida en el grifo.
- **Temperatura del agua**—El calentador de agua de la casa se debe ajustar para proveer agua a una temperatura de 120 a 150° F (50 a 66° C) EN LA LAVADORA cuando se selecciona el ciclo de lavado HOT (caliente).
- **Válvulas de cierre**—Se debe proveer válvulas de cierre (grifos) de agua fría y agua caliente.
- **Desagüe**—El agua se puede drenar a un tubo vertical o a una cubeta fija. La altura de descarga **NO DEBE QUEDAR A MENOS DE 30 PULGADAS (76 cm)** ni a más de 6 pies (1,8 m) por encima de la base de la lavadora. El tubo vertical debe tener un diámetro interior mínimo de 1-1/2 pulgadas (3,8 cm) y ventilar al medio ambiente.

REQUISITOS ELÉCTRICOS Y DE PLOMERÍA

⚠ ADVERTENCIA

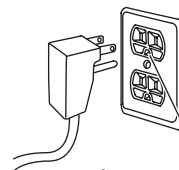


- **PARA SU SEGURIDAD, NO UTILICE UN CABLE DE EXTENSIÓN NI UN ENCHUFE ADAPTADOR CON ESTE ARTEFACTO ELECTRODOMÉSTICO.**
- **POR NINGUNA RAZÓN SE DEBE CORTAR O ELIMINAR LA TERCERA CLAVIJA DE PUESTA A TIERRA DEL CABLE DE ALIMENTACIÓN ELÉCTRICA.**
- **OBSERVE LAS DISPOSICIONES DEL CÓDIGO NACIONAL DE ELECTRICIDAD ANSI / NFPA 70 O LOS CÓDIGOS Y ORDENANZAS LOCALES VIGENTES.**

INSTALACIÓN ELÉCTRICA

Este artefacto electrodoméstico debe tener un suministro de 115V, 60 Hz, y se debe conectar a un circuito derivado individual con un sistema de puesta a tierra adecuado protegido con un disyuntor o fusible de 15 ó 20 amperios.

- Si la alimentación eléctrica no cumple con los requisitos mencionados arriba, consulte un técnico electricista profesional.

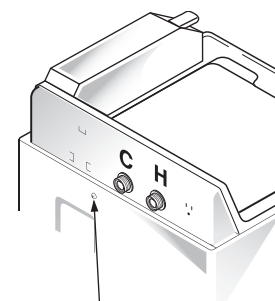


Asegúrese de que haya sistema de puesta a tierra adecuado antes de usarlo

INSTRUCCIONES PARA PUESTA A TIERRA

Esta unidad debe tener una conexión para puesta a tierra adecuada, ya que si se avería o no funciona correctamente, la puesta a tierra reducirá el riesgo de electrocución al proveer una ruta de menor resistencia para la corriente eléctrica. La unidad está equipada con un cable que posee tanto un conductor como un enchufe para puesta a tierra. El enchufe se debe enchufar en un tomacorriente apropiado que esté correctamente instalado y conectado a tierra según lo estipulado en los códigos y reglamentos locales.

Si se requiere, un conductor externo de puesta a tierra (no incluido) que cumpla con los códigos locales se puede instalar en la parte posterior de la lavadora con un tornillo para chapa metálica (no incluido), según se indica la ilustración. Se debe usar un tornillo para chapa metálica n. 8 de 18 vueltas por pulgada y 1/2 pulgada (1,3 cm) de largo, el cual se puede obtener en cualquier ferretería local.



Instale la conexión a tierra (obtener localmente)

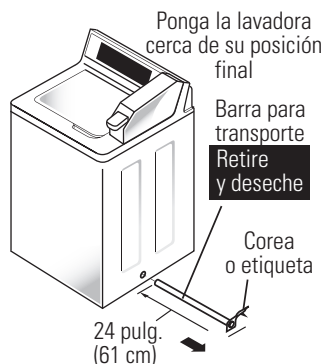
⚠ ADVERTENCIA

La conexión incorrecta del conductor de puesta a tierra podría resultar en riesgo de electrocución. Consulte con un electricista calificado si tiene dudas sobre la puesta a tierra correcta de su artefacto.

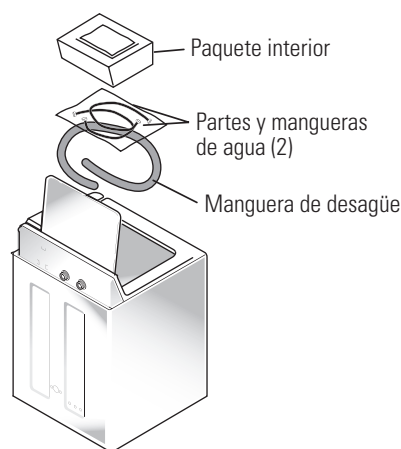
Instrucciones para la instalación

PASO 1 PREPARE LA LAVADORA PARA LA INSTALACIÓN

- Tire la barra para transporte que está en la parte inferior derecha (tiene una correa o etiqueta) y deséchela.



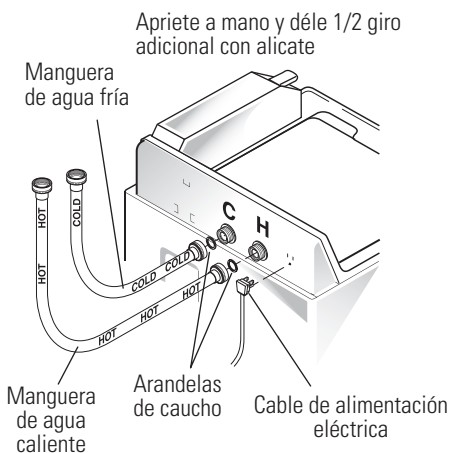
- Saque el paquete interior y los accesorios de instalación que están debajo de la tapa. La manguera de desagüe se encuentra dentro del cesto de la lavadora.



- Coloque la lavadora en el sitio donde se instalará para conectar las mangueras y el sistema eléctrico.

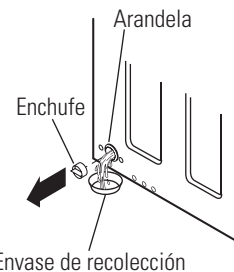
PASO 2 CONECTE LAS MANGUERAS DE LLENADO

Instale las arandelas de caucho en ambos extremos de las mangueras de llenado. Conecte la manguera de llenado denominada HOT (caliente) a la válvula de entrada para agua caliente de la lavadora. Conecte la manguera denominada COLD (fría) a la válvula de entrada para agua fría de la lavadora. Los acoplamientos de deben apretar primero a mano y después se les debe dar medio giro adicional con alicate.

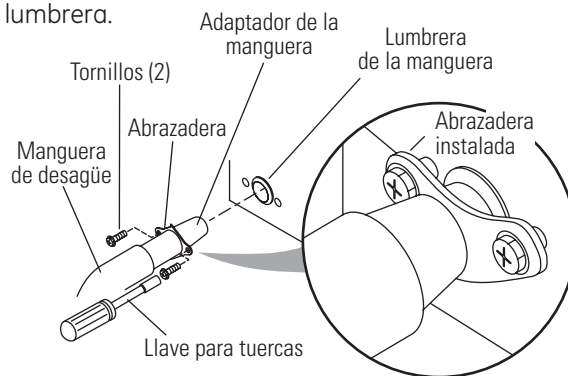


PASO 3 INSTALE LA MANGUERA DE DESAGÜE

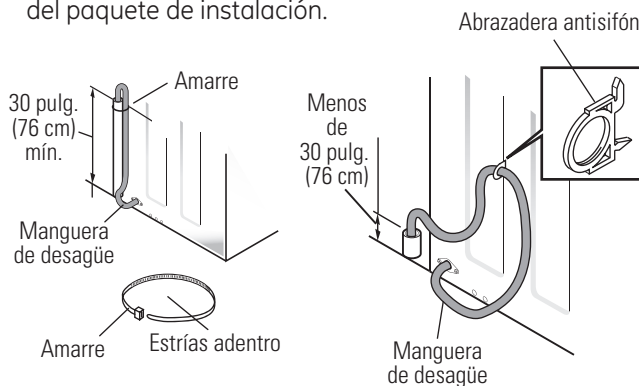
- Asegúrese de sacar todos los componentes de instalación del cesto de la lavadora.
- **IMPORTANTE** – Si el tapón rojo se encuentra en el anillo protector, quite el tapón rojo de la conexión de la manguera de desagüe.



- **AVISO:** Puede haber agua presente, esto es normal.
- Localice el adaptador de plástico de la manguera de desagüe. Coloque la abrazadera de la manguera en el extremo de la misma. Inserte el adaptador de la manguera en el extremo acodado y asegúrela con la abrazadera. Posicione la abrazadera de la manguera de plástico sobre el adaptador y presione hasta que entre en la ranura acanalada.
- **AVISO:** Esta instalación requiere un poco de fuerza y se escucha un clic cuando la abrazadera se encaja en la lumbrera.



- Inserte el extremo cónico de plástico del adaptador en la lumbrera de la manguera de desagüe de la lavadora. Fije la manguera de desagüe a la lavadora con dos tornillos del paquete de instalación.

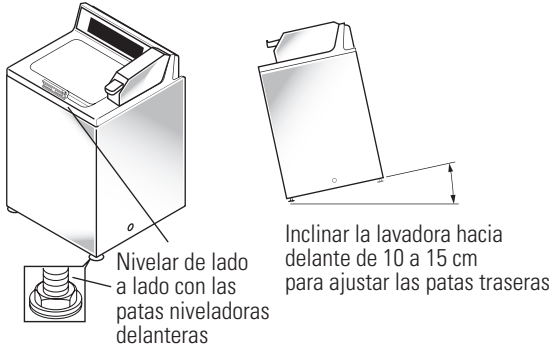


- **AVISO:** Si la instalación para la manguera de desagüe no cumple con el requerimiento de altura mínima de 30 pulgadas (76 cm) para el tubo vertical, pase la manguera por la abrazadera antisifón que se proporciona y colóquela en la parte trasera de la unidad, como se muestra en la ilustración. **Para instalar la abrazadera antisifón, inserte su parte de arriba en el orificio superior y la parte de abajo en el orificio inferior.**

Instrucciones para la instalación

PASO 4 AJUSTE LAS PATAS NIVELADORAS

- Ponga un nivel sobre el borde superior delantero de la lavadora.
- Ajuste las patas niveladoras delanteras hasta nivelar lateralmente la lavadora. Retire el nivel.
- Incline la lavadora hacia delante (pivotar sobre las patas delanteras) de 4 a 6 pulgadas (10 a 16 cm) del piso. Esta acción ajustará las patas traseras de igual forma que las delanteras.
- Baje con cuidado la lavadora.



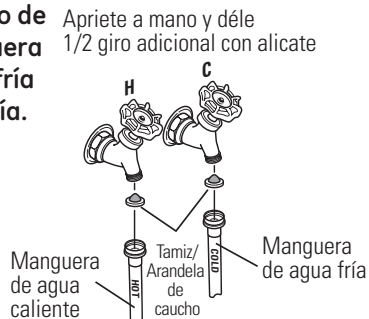
PASO 5 INSTALE LAS MANGUERAS DE LLENADO

- Verifique que haya drenado todo el agua en las líneas.
- Coloque la lavadora en su sitio definitivo. Las mangueras de llenado y desagüe NO SE DEBEN arrastrar ni deben quedar debajo de la lavadora.

! PRECAUCIÓN

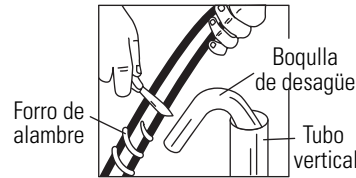
VERIFIQUE QUE LAS MANGUERAS DE LLENADO ESTÉN FIRMEMENTE CONECTADAS A LOS GRIFOS.

- Defina cuál es la línea de agua caliente (HOT) antes de conectar las mangueras de llenado a los grifos. Por lo general, el grifo de agua caliente se encuentra del lado izquierdo. Verifique que las arandelas de caucho estén colocadas en los extremos de ambas mangueras de llenado. Conecte la manguera de la válvula de entrada de la lavadora (denominada HOT) al grifo de agua caliente y la manguera de la válvula de entrada fría (COLD) al grifo de agua fría. Los acoplamientos de deben apretar primero a mano y después se les debe dar medio giro adicional con alicate.

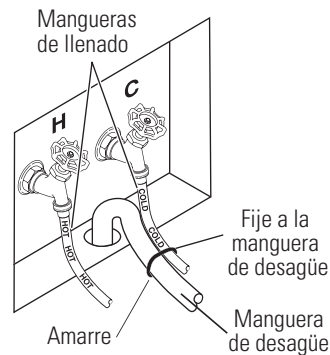


PASO 6 INSTALE LA MANGUERA DE DESAGÜE

- Inserte un extremo de la boquilla de desagüe de aluminio en el tubo vertical.
- Deslice o recorte el forro de alambre unas 2 pulgadas (5 cm) por debajo del extremo superior del tubo vertical.
- Corte la manguera de desagüe justo debajo del tubo vertical y coloque el amarre plateado en el extremo de la manguera de desagüe negra.
- Inserte la boquilla de desagüe en el extremo de la manguera de desagüe y fije la boquilla a la manguera con el amarre.



- Conecte la manguera de desagüe al sistema de drenaje y fíjela con el amarre incluido, como se muestra en la ilustración.



AVISO: La boquilla de la manguera de desagüe se puede acortar si su longitud original no permite que se inserte completamente en el sistema de drenaje.

! PRECAUCIÓN

LA MANGUERA DE DESAGÜE SE DEBE FIJAR CON CINTA O POR OTROS MEDIOS AL TUBO VERTICAL O EL SISTEMA DE DESAGÜE.

AVISO: El agua puede drenar a un tubo vertical. La altura de descarga no debe quedar a menos de 30 pulgadas (76 cm) ni a más de 6 pies (1,8 m) por encima de la base de la lavadora. El tubo vertical debe tener un diámetro interior mínimo de 1-1/2 pulgadas (3,8 cm) y ventilar al medio ambiente.

Instrucciones para la instalación

PASO 7 AHORRO DE AGUA SOLAMENTE EN MODELOS CON MONEDERO

El interruptor de presión se configura en la fábrica para la posición de uso y nivel alto de agua.

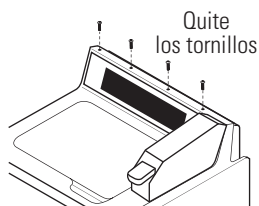
Para cambiar la configuración de nivel alto de agua a mediano o bajo:



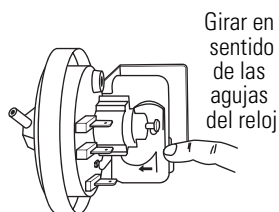
ADVERTENCIA

DESENCHUFE PRIMERO LA LAVADORA DEL TOMACORRIENTE.

- Quite los 4 tornillos de torsión de la parte trasera del panel de control y recoste el panel de control sobre la lavadora.



- Desde el frente, gire con el dedo la leva de plástico en el interruptor de presión en sentido de las agujas del reloj hasta que encaje en la posición media o baja del agua. (Vea la ilustración de abajo).



PASO 8 CONEXIONES ELÉCTRICAS



PRECAUCIÓN

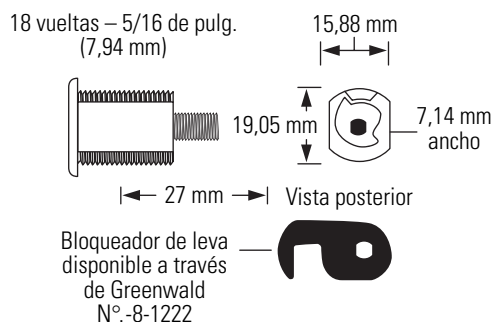
ANTES DE ENCHUFAR LA UNIDAD, DEBE LEER CUIDADOSAMENTE LOS REQUISITOS Y LA LISTA DE VERIFICACIÓN DE COMPONENTES ELÉCTRICOS Y DE PLOMERÍA.

Enchufe el cable de alimentación en un tomacorriente de pared que tenga un sistema de puesta a tierra adecuado.

PASO 9 INSTRUCCIONES ESPECIALES PARA MODELOS CON CAPACIDAD PARA USAR CERRADURA DE SEGURIDAD

INSTALACIÓN DE LA TRABA DE SEGURIDAD EN LA TAPA

La tapa de la lavadora se diseñó para permitir la instalación de una cerradura con pasador como la que se muestra en la ilustración.

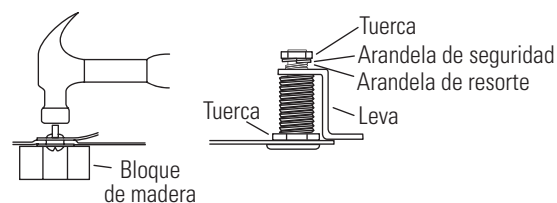


Para instalar la cerradura:

- Quite la guarnición de plástico que está en la parte delantera de la tapa.
- Coloque la arandela en el eje de la cerradura e instálela de forma que se pueda accionar en sentido contrario a las agujas del reloj.
- Instale el mecanismo de la cerradura en el orificio de la tapa y apriételo bien. (Si se aprieta demasiado las superficies pintadas podrían dañarse).
- Instale la leva y apriete bien.

INSTALACIÓN DE LA TRABA EN LA PUERTA DE ACCESO

Para retirar el sujetador de la puerta de acceso a fin de instalar una cerradura, coloque la puerta sobre un bloque de madera que tenga un orificio de 1/2 pulg. (1,2 cm) y golpee ligeramente el extremo del tornillo con un martillo.



Instrucciones para la instalación

PASO 10 LISTA DE VERIFICACIÓN

Revise esta lista después de instalar la lavadora para evitar que se le cobre una llamada de servicio que no esté cubierta por esta garantía.

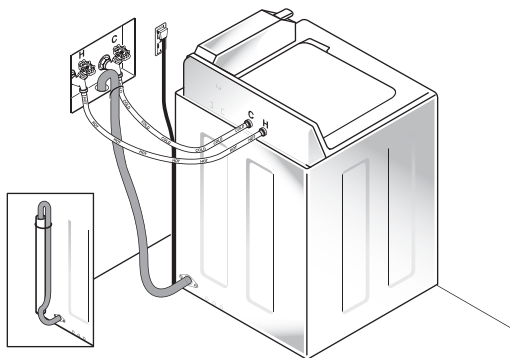
VERIFICAR LO SIGUIENTE AL CONCLUIR LA INSTALACIÓN:

- Manguera de desagüe** – Deberá estar estirada y fijada a la instalación de desagüe para evitar que se salga del sistema de drenaje durante la descarga de agua. El amarre de la boquilla debe quedar apretada para evitar fugas. LA MANGUERA DE DESAGÜE NO DEBE ROZAR CONTRA LA PARED DE BLOQUE O CONCRETO. DICHO ROCE PUEDE DESGASTAR Y ROMPER LA MANGUERA.
- Arandelas en mangueras** – Arandelas de caucho en ambos extremos de las mangueras de llenado.
- Conexiones de las mangueras** – Lado de agua caliente (válvula izquierda) conectado al suministro de agua caliente; lado de agua fría (válvula derecha) conectado al suministro de agua fría. Todas las conexiones se deben apretar primero a mano y después se les debe dar medio giro adicional con alicate.
- Puesta a tierra** – El artefacto debe contar con un sistema de puesta a tierra adecuado a fin de cumplir con todos los códigos y ordenanzas locales vigentes.
- Nivelado** – Ajuste las patas niveladoras delanteras (niveladas en fábrica a 1 pulgada (2,5 cm) según sea necesario. Verifique el nivelado lateral y entre el frente y la parte posterior. Incline la unidad hacia delante unas 4 pulgadas (10 cm) para ajustar las patas de autonivelado traseras.
- Operación** – Abra los grifos y corra manualmente un ciclo de lavado completo. Revise que no existan fugas, ruidos ni vibraciones y revise que las temperaturas de agua sean las correctas y que la unidad funcione correctamente durante los ciclos de lavado y centrifugado. Cuando la lavadora esté en el ciclo de centrifugado, levante la tapa para verificar el interruptor de la tapa y la operación de frenado.

PASO 11 MATERIAL IMPRESO

- Todo el material impreso y las instrucciones de instalación se deben entregar al consumidor.

INSTALACIÓN TÍPICA DE MANGUERAS:



Conexiones típicas

Instrucciones para la instalación



ADVERTENCIA

Para su seguridad debe observar estas instrucciones a fin de minimizar el riesgo de incendio, explosión o electrocución y para evitar daños a la propiedad, lesiones personales y pérdida de vida.

LA SEGURIDAD Y EL CALENTADOR DE AGUA

- Bajo ciertas circunstancias se puede crear gas de hidrógeno dentro de un calentador de agua que no se ha utilizado durante dos semanas o más. El gas de hidrógeno puede ser explosivo bajo estas circunstancias.
- Si no se ha utilizado agua caliente durante dos semanas o más, se debe abrir todos los grifos de agua caliente y permitir que el agua corra durante varios minutos para prevenir la posibilidad de daños o lesiones. Haga esto antes de utilizar cualquier artefacto electrodoméstico que esté conectado al sistema de agua caliente. Este sencillo procedimiento permitirá que escape cualquier cantidad de gas de hidrógeno acumulado. No se debe fumar ni utilizar llamas ni artefactos durante este proceso debido a que el gas es inflamable.

SU ÁREA DE LAVADO

- Mantenga el área que está debajo y alrededor de sus artefactos libre de materiales combustibles como hilaza, papel, trapos, sustancias químicas, etc.
- Se debe realizar una supervisión cuidadosa si este artefacto se va a usar cerca de niños o va a ser usado por niños. No se debe permitir que niños jueguen sobre, con ni dentro de éste o cualquier otro artefacto.

AL USAR LA LAVADORA

- Jamás introduzca las manos dentro de la lavadora cuando esté en uso. Espere a que la unidad se haya detenido completamente antes de abrir la tapa.
- No mezcle lejía con amoníaco ni sustancias ácidas como vinagre y removedor de óxido. La mezcla de diferentes sustancias químicas puede producir gases tóxicos que podrían causar la muerte.
- No lave ni seque artículos que han sido desmanchados, lavados o remojados en, ni limpiados con, sustancias combustibles o explosivas (como cera, aceite, pintura, gasolina, desengrasadores, solventes para lavado en seco, kerosén, etc.). Estas sustancias despiden vapores que se pueden incendiar o explotar. No añada estas sustancias al agua de lavado. No use ni coloque estas sustancias alrededor de la lavadora o la secadora durante su uso.

- El proceso de lavado y secado puede reducir la retardancia de las telas a las llamas. Para evitar este tipo de resultado, se debe observar cuidadosamente las instrucciones de lavado y cuidado del fabricante de la prenda de vestir.
- Para minimizar la posibilidad de electrocución, se debe desenchufar este artefacto de su fuente de alimentación eléctrica o desconectar la lavadora en el panel de distribución doméstico retirando el fusible o desactivando el disyuntor eléctrico antes de realizar labores de mantenimiento o limpieza. **NOTA:** Girar la perilla de selección de ciclos a la posición apagada NO desconecta el artefacto de su fuente de alimentación eléctrica.
- Nunca se debe operar este artefacto si no funciona correctamente, está averiado, parcialmente desarmado o tiene componentes extraviados o rotos, incluyendo un enchufe o cable de alimentación eléctrica dañado.

CUANDO NO SE ESTÉ UTILIZANDO

- Cierre los grifos de agua para aliviar la presión en las mangueras y válvulas y minimizar fugas en caso de ocurrir una ruptura. Verifique la condición de las mangueras de llenado y reemplácelas cada 5 años.
- Antes de desechar o sacar de servicio una lavadora, se debe retirar su tapa para evitar que se oculten niños en su interior.
- No reemplace ni repare ninguna parte de este artefacto a menos que se recomiende hacerlo en estas instrucciones o en un instructivo sobre reparación para usuarios que haya sido publicado, el cual se entienda y se esté en capacidad de realizar las labores necesarias.
- No modifique los controles.

LEER Y OBSERVAR CUIDADOSAMENTE LA PRESENTE INFORMACIÓN SOBRE SEGURIDAD.

CONSERVAR ESTAS INSTRUCCIONES