



Refrigerators

Safety Information 2, 3

Operating Instructions

Control Settings 4

Refrigerator Features 4

Care and Cleaning 5-6

Replacing the Light Bulb 5

Installation Instructions 7-9

Troubleshooting Tips 10

Consumer Support

Product Registration 11

Warranty 13

Consumer Support Back Cover

**Owner's Manual
& Installation
Instructions**

GMR03BLH
GMR05BLH

ATTENTION:

Defrosting—Do not use sharp, pointed objects to remove frost or ice from surfaces of the freezer compartment. Doing so could puncture the cooling coil, causing the unit to lose its ability to maintain cold temperatures and voiding the warranty. See the Care and Cleaning section for instructions on defrosting the freezer compartment.

Write the model and serial numbers here:

Model # _____

Serial # _____

Find these numbers on a label inside the refrigerator compartment at the top on the right side.

IMPORTANT SAFETY INFORMATION. READ ALL INSTRUCTIONS BEFORE USING.

SAFETY


IMPORTANT SAFETY INFORMATION READ ALL INSTRUCTIONS BEFORE USING



GE Appliances website

For more information on your refrigerator's operation, visit
www.GEAppliances.ca

REFRIGERATOR SAFETY INFORMATION


 This is the safety alert symbol. This symbol alerts you to potential hazards that can kill or hurt you and others. All safety messages will follow the safety alert symbol and the word "DANGER", "WARNING", or "CAUTION". These words are defined as:

 **DANGER** Indicates a hazardous situation which, if not avoided, **will** result in death or serious injury.

 **WARNING** Indicates a hazardous situation which, if not avoided, **could** result in death or serious injury.

 **CAUTION** Indicates a hazardous situation which, if not avoided, **could** result in minor or moderate injury.

IMPORTANT SAFETY INSTRUCTIONS

 **WARNING** To reduce the risk of fire, explosion, electric shock, or injury when using your refrigerator follow these basic safety precautions:

- This refrigerator must be properly installed and located in accordance with the Installation Instructions before it is used.
- Unplug the refrigerator before cleaning and making repairs.
- **NOTE:** Repairs must be performed by a qualified Service Professional.
- Replace all parts and panels before operating.
- Because of potential safety hazards under certain conditions, we strongly recommend against the use of an extension cord. However, if you must use an extension cord, it is absolutely necessary that it be a UL-listed (in the United States) or a CSA certified (in Canada), 3-wire grounding type appliance extension cord having a grounding type plug and outlet and that the electrical rating of the cord be 15 amperes (minimum) and 120 volts.
- To prevent suffocation and entrapment hazards to children, Remove the fresh food and freezer doors from any refrigerator before disposing of it or discontinuing its use.
- Do not store or use gasoline or other flammable vapors and liquids in the vicinity of this or any other appliance.
- Power to the refrigerator cannot be disconnected by any setting on the control panel, refrigerator must be unplugged to remove power.
- Do not allow children to climb, stand or hang on the door handles or the shelves in the refrigerator. They could seriously injure themselves.
- Keep fingers out of the "pinch point" areas; clearances between the doors and between the doors and cabinet are necessarily small. Be careful closing doors when children are in the area.
- Do not touch the cold surfaces in the freezer compartment when hands are damp or wet, skin may stick to these extremely cold surfaces.
- Do not refreeze frozen foods which have thawed completely.

SAFETY (CONT.)

INSTALLATION

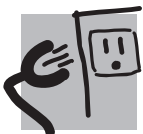
⚠ WARNING  **Explosion Hazard.**

Keep flammable materials and vapors, such as gasoline, away from refrigerator. Failure to do so can result in fire, explosion, or death.

CONNECTING ELECTRICITY

⚠ WARNING  **Electrical Shock Hazard.**

Plug into a grounded 3-prong outlet
 Do not remove the ground prong
 Do not use an adapter
 Failure to follow these instructions can result in death, fire, or electrical shock.



Do not, under any circumstances, cut or remove the third (ground) prong from the power cord. For personal safety, this appliance must be properly grounded.

The power cord of this appliance is equipped with a 3-prong (grounding) plug which mates with a standard 3-prong (grounding) wall outlet to minimize the possibility of electric shock hazard from this appliance.

Have the wall outlet and circuit checked by a qualified electrician to make sure the outlet is properly grounded.

Where a standard 2-prong wall outlet is encountered, it is your personal responsibility and obligation to have it replaced with a properly grounded 3-prong wall outlet. Do not use an adapter.

The refrigerator should always be plugged into its own individual electrical outlet which has a voltage rating that matches the rating plate.

A 115 Volt AC, 60 Hz, 15- or 20-amp fused, grounded electrical supply is required. This provides the best performance and also prevents overloading house wiring circuits which could cause a fire hazard from overheated wires.

Never unplug your refrigerator by pulling on the power cord. Always grip plug firmly and pull straight out from the outlet.

Repair or replace immediately all power cords that have become frayed or otherwise damaged. Do not use a cord that shows cracks or abrasion damage along its length or at either end.

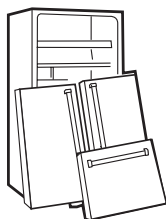
When moving the refrigerator away from the wall, be careful not to roll over or damage the power cord.

PROPER DISPOSAL OF YOUR OLD REFRIGERATOR

⚠ WARNING **Suffocation and child entrapment hazard.**

Remove fresh-food and freezer doors from the refrigerator, prior to disposal. Failure to do so can result in child entrapment which can lead to death or brain damage.

IMPORTANT:



Child entrapment and suffocation are not problems of the past. Junked or abandoned refrigerators are still dangerous even if they will sit for "just a few days." If you are getting rid of your old refrigerator, please follow the instructions below to help prevent accidents.

Before You Throw Away Your Old Refrigerator or Freezer:

- Take off the fresh food and freezer doors.
- Leave the shelves in place so that children may not easily climb inside.

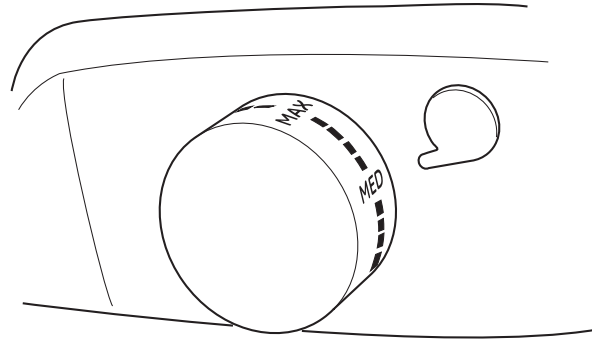
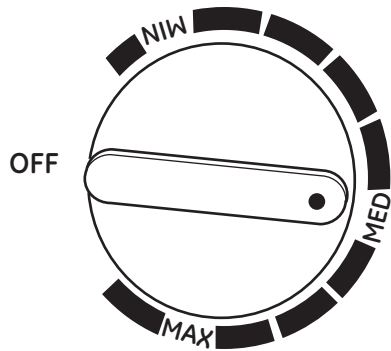
Refrigerants

All refrigeration products contain refrigerants, which under federal law must be removed prior to product disposal. If you are getting rid of an old refrigeration product, check with the company handling the disposal about what to do.



READ AND FOLLOW THIS SAFETY INFORMATION CAREFULLY.
SAVE THESE INSTRUCTIONS

About the refrigerator controls and features.



The control will look like one of the above.



Control Settings

The temperature control maintains the temperature in the refrigerator. Setting the control to MIN is the warmest setting. Setting the control to MAX is the coldest setting. Set the control to MED.

Allow 24 hours for the refrigerator to reach the MED temperature. If you want a colder or warmer temperature, move the dial one setting at a time. Moving the control to OFF stops cooling but does not turn off the power to the refrigerator. Setting the control too high may cause freezing in the refrigerator depending on the room temperature.

How To Test Temperatures

Use the milk test. Place a container of milk on a shelf and check it a day later. If the milk is too warm or too cold, adjust the temperature control.

After changing the control, allow 24 hours for the refrigerator to reach the temperature you have set.

Features

Shelves

To remove a shelf, lift up the back slightly and pull forward. Some models have multi-position shelves that can be moved to different levels.

Ice Tray Compartment

This compartment is designed for production of ice cubes and short-term storage (a few days at most) of some commercially-frozen foods when in contact with the evaporator (cold surface in compartment.)

Door Shelves

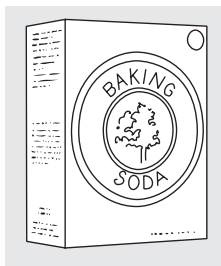
Shelves on the door provide convenient storage for frequently used items. Some models have doors that are deep enough to store large bottles.

Cleaning the Outside

Keep the outside clean. Wipe with a clean cloth lightly dampened with kitchen appliance wax or mild liquid dish detergent. Dry and polish with a clean, soft cloth.

Do not wipe the refrigerator with a soiled dish cloth or wet towel. These may leave a residue that can erode the paint. Do not use scouring pads, powdered cleaners, bleach or cleaners containing bleach because these products can scratch and weaken the paint finish.

Protect the paint finish. The finish on the outside of the refrigerator is a high quality, baked-on paint finish. With proper care, it will stay new-looking and rust-free for years. Apply a coat of kitchen/ appliance wax when the refrigerator is new, and then at least twice a year.



Cleaning the Inside

To help prevent odors, leave an open box of baking soda in the refrigerator.

Unplug the refrigerator before cleaning. If this is not practical, wring excess moisture out of sponge or cloth when cleaning around the control.

Use warm water and baking soda solution—about a tablespoon (15 ml) of baking soda to a quart (1 liter) of water. This both cleans and neutralizes odors. Rinse and wipe dry.

Other parts of the refrigerator—including door gaskets, fruit and vegetable drawers, and all plastic parts—can be cleaned the same way.

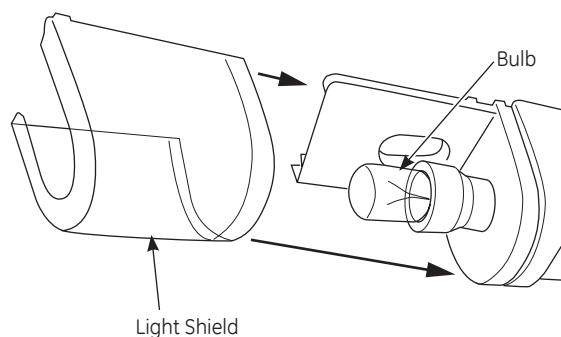
Do not wash any plastic refrigerator parts in the dishwasher.

Replacing the Light Bulb (on some models)

Unplug the refrigerator before replacing a burned-out bulb. Setting the controls to **OFF** does not remove power to the light circuit.

The light bulb is located behind the temperature control housing and is visible through the light shield.

Remove the light shield by snapping it from the bottom of the housing. Gently unscrew the light bulb. Replace with a bulb of the same or lower wattage.



Care and cleaning of the refrigerator.

Defrosting (on manual defrost models only)

Defrost whenever frost on the wall of the ice tray compartment becomes 1/4" (0.6 cm) thick. **Never use a sharp or metallic instrument to remove frost as it may damage the cooling coils.** (A punctured cooling coil will cause serious problems and void the warranty.) We recommend using a plastic scraper. Do not use any electrical device in defrosting your refrigerator.

To defrost:

- Remove foods and ice trays from the ice tray compartment.
- Set the temperature control dial at **OFF** position.
- On models without a drip tray, place a pan beneath the ice tray compartment to collect water.

Defrosting usually takes a few hours. To defrost faster, keep the door open. Also, pouring warm (not hot) water on the frosted part may speed defrosting. **Do not use boiling water**—it may damage plastic parts.

After defrosting:

- Empty water from the drip tray or from the pan placed beneath the ice tray compartment. Wash the tray or pan with warm water.
- Wipe the ice tray compartment with a damp cloth.
- Turn the temperature control to the desired setting and return food and ice trays to the refrigerator.

NOTE: *If ice buildup is very thick, it may keep the ice tray compartment door from opening or closing completely. Don't try to force it open; after defrosting, the door will open and close easily.*

Preparing for Vacation

For long vacations or absences, remove food and unplug the refrigerator. Move the control to the **OFF** position, and clean the interior with a baking soda solution of one tablespoon (15 ml) of baking soda to one quart (1 liter) of water. Leave the door open.

Preparing to Move

Secure all loose items such as shelves and ice trays by taping them securely in place to prevent damage.

Be sure the refrigerator stays in an upright position during moving.

Installation Instructions

Refrigerator

3 Cubic Foot (84 l) Models
4 Cubic Foot (113 l) Models

If you have questions, call 1.800.561.3344 or visit our Website at: GEAppliances.ca

BEFORE YOU BEGIN

Read these instructions completely and carefully.

- **IMPORTANT** – Save these instructions for local inspector's use.
- **IMPORTANT** – Observe all governing codes and ordinances.
- **Note to Installer** – Be sure to leave these instructions with the Consumer.
- **Note to Consumer** – Keep these instructions for future reference.

LOCATION REQUIREMENTS

- Do not install the refrigerator where the temperature will go below 50°F (10°C) because it will not run often enough to maintain proper temperatures.
- Install it on a floor strong enough to support it fully loaded.
- Do not install it in a recessed area.
- Do not build in the refrigerator.

CLEARANCES

Allow the following clearances for ease of installation and proper air circulation.

3 and 4 Cubic Foot
(84 and 113 l) Models

Sides	1/2" (13 mm)
Top	2" (51 mm)
Back	2" (51 mm)**

** From the rear cabinet surface to the wall

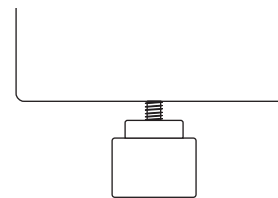
UNPACKING YOUR REFRIGERATOR

- Remove tape and any labels (except for the rating label) from your refrigerator. Tape or glue residue can also be removed by rubbing a small amount of liquid dish soap over the adhesive with your fingers. Wipe with warm water and dry.
- Do not use sharp instruments, rubbing alcohol, flammable fluids, or abrasive cleaners to remove tape or glue. These products can damage the surface of your refrigerator.
- When moving the refrigerator, do not tilt the refrigerator beyond 45° from upright position.

LEVELING LEGS

Adjustable legs at the front corners of the refrigerator should be set so the refrigerator is firmly positioned on the floor, and the front is raised just enough that the door closes easily when opened about halfway.

To adjust the leveling legs, turn the legs counterclockwise to raise the refrigerator, clockwise to lower it.



Turn counterclockwise to raise, clockwise to lower.

Installation Instructions

⚠ WARNING **Explosion Hazard.**

Keep flammable materials and vapors, such as gasoline, away from refrigerator. Failure to do so can result in fire, explosion, or death.

CONNECTING ELECTRICITY

⚠ WARNING **Electrical Shock Hazard.**

Plug into a grounded 3-prong outlet

Do not remove the ground prong

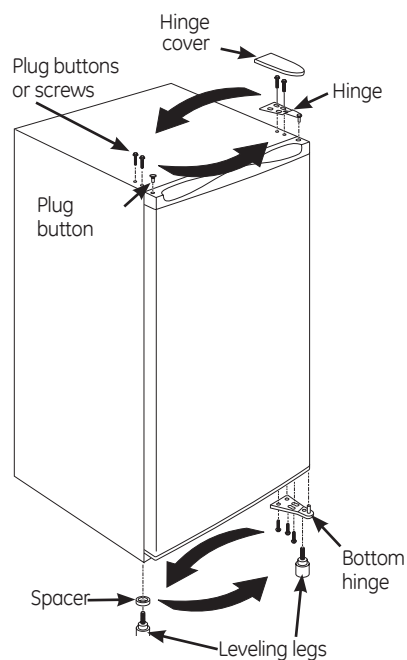
Do not use an adapter

Failure to follow these instructions can result in death, fire, or electrical shock.

POWER CORD

- Plug the refrigerator power cord into its own properly grounded wall outlet with a voltage rating matching that on the refrigerator rating plate.
- Do not use an extension cord.
- Read all safety precautions on pages 2 and 3.

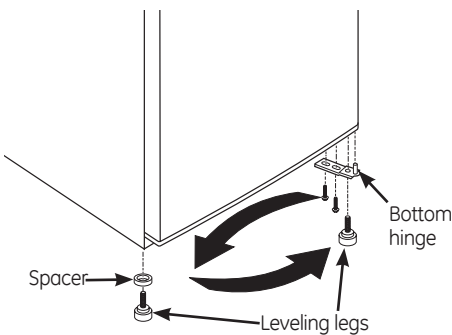
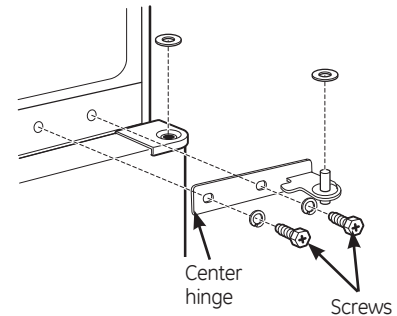
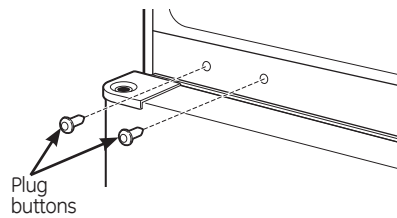
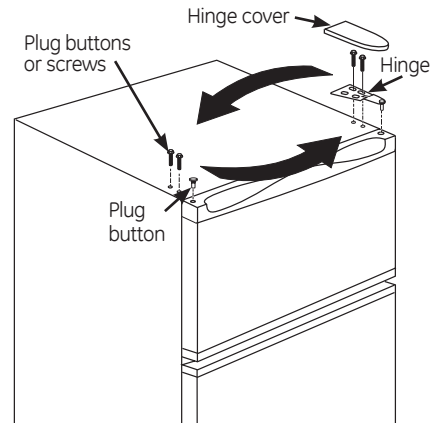
Door Reversal (on some models)



1. Remove the small plug button on the left side of the door top cap.
2. Remove the 2 plug buttons or screws on the left side on top of the cabinet.
3. Remove the plastic hinge cover by lifting it up by the front edge.
4. Remove the 2 screws from the top hinge.
5. Lift the door up and off the bottom hinge (right side).
6. Tilt the refrigerator cabinet back to remove the left leveling leg.
7. Remove the screws on the bottom hinge (right side) and remove the leveling leg. Move the bottom hinge to the left side and secure it with screws. Re-install the leveling legs.
- IMPORTANT:** The left leg has a spacer or spacer feature that must be moved to the right side leveling leg when the door swing is reversed.
8. Screw the right leveling leg, with the spacer, back in place on the right side.
9. Position the door on the left bottom hinge. With the magnetic gasket holding the door in place, secure the top hinge with screws.
10. **Make sure the door is aligned with the refrigerator cabinet before continuing.**
11. Replace the hinge cover on top of the hinge.
12. Put the plug button in the hole on the right side of the door cap.
13. Put the 2 plug buttons on the right side on top of the cabinet

Installation Instructions

2-Door Reversal (on some models)



1. Remove the small plug button on the left side of the door top cap.
2. Remove the 2 plug buttons or screws on the left side on top of the cabinet.
3. Remove the plastic hinge cover by lifting it up by the front edge.
4. Remove the 2 screws from the top hinge.
5. Lift the freezer door up and off the middle hinge (right side). Set the door on a non-scratching surface with the outside up.
6. Remove the center hinge by removing the 2 screws. Lift the hinge to remove.
7. Lift the fresh food door off of the bottom hinge. Set the door on a non-scratching surface with the outside up.
8. Tilt the refrigerator cabinet back to remove the left leveling leg.
9. Remove the screws on the bottom hinge (right side) and remove the leveling leg. Move the bottom hinge to the left side and secure it with screws. Re-install the leveling leg.
10. Screw the right leveling leg, with the spacer, back in place on the right side.
11. Remove the two plug buttons on the left side at the center and install them on the right.
12. Position the door on the left bottom hinge. With the magnetic gasket holding the door in place, make sure the door is aligned with the refrigerator, and secure the center hinge on the left with screws.
13. Place the freezer door on the center hinge over the pin. Assure the door is aligned horizontally and vertically, and that the gasket seals on all sides.
14. Replace the top hinge on the left side with screws.
15. Replace the hinge cover on top of the hinge.
16. Put the plug button in the hole on the right side of the door cap.
17. Put the 2 plug buttons on the right side on top of the cabinet

IMPORTANT: The left leg has a spacer or spacer feature that must be moved to the right side leveling leg when the door swing is reversed.

Before you call for service...



Troubleshooting Tips

Save time and money! Review the chart below first and you may not need to call for service.

Problem	Possible Causes	What To Do
Refrigerator does not operate	Control in OFF position.	Move the control to a temperature setting.
	Refrigerator is unplugged.	Push the plug completely into the outlet.
	The fuse is blown/circuit breaker is tripped.	Replace fuse or reset the breaker.
Vibration or rattling (slight vibration is normal)	Front leveling legs need adjusting.	See <i>Leveling Legs</i> .
	Refrigerator is on an uneven surface.	Use shims to level the refrigerator.
Motor operates for long periods or cycles	Normal when refrigerator is first plugged in.	Wait 24 hours for the refrigerator to completely cool down.
	Often occurs when large amounts of food are placed in refrigerator.	This is normal.
	Door left open.	Check to see if package is holding door open.
	Hot weather or frequent door openings.	This is normal.
	Temperature control set at the coldest setting.	See <i>About the control</i> .
	Not enough clearance from the wall.	See <i>Clearances in Preparing to install the refrigerator</i> .
Refrigerator too warm	Temperature control not set cold enough.	See <i>About the control</i> .
	Warm weather or frequent door openings.	Set the temperature control one step colder. See <i>About the control</i> .
	Door left open.	Check to see if package is holding door open.
	Cabinet sides are warm	This is normal for a hot wall type condenser.
Refrigerator has odor	Foods transmitting odor to refrigerator.	Foods with strong odors should be tightly wrapped.
		Keep an open box of baking soda in the refrigerator; replace every three months.
Moisture forms on outside of refrigerator	Not unusual during periods of high humidity.	Wipe surface dry.
Moisture collects inside (in humid weather, air carries moisture into refrigerator when door is opened)	Too frequent or too long door openings.	
Refrigerator too cold	Temperature control set too cold.	See <i>About the control</i> .

Please place in envelope and mail to:
Veuillez mettre dans une enveloppe et envoyez à :

**OWNERSHIP REGISTRATION
P.O. BOX 1780
MISSISSAUGA, ONTARIO
L4Y 4G1**

**(FOR CANADIAN CONSUMERS ONLY -
POUR RÉSIDENTS CANADIENS SEULEMENT)**



For Canadian
Customers



Pour les
consommateurs
canadiens

CUT ALONG THIS LINE AND RETURN CARD - THANKS
DÉCOUPEZ ICI ET ENVOYEZ LA FICHE - MERCI

OWNERSHIP REGISTRATION CERTIFICATE – FICHE D'INSCRIPTION DU PROPRIÉTAIRE

Please register your product to enable us to contact you in the remote event a safety notice is issued for this product and to allow for efficient communication under the terms of our warranty, should the need arise.

Veillez enregistrer votre produit afin de nous permettre de communiquer avec vous si jamais un avis de sécurité concernant ce produit était émis et de communiquer facilement avec vous en vertu de votre garantie, si le besoin s'en fait sentir.

REGISTER ON-LINE: www.geappliances.ca MAIL TO: **P.O. BOX 1780, MISSISSAUGA**
ENREGISTREMENT SUR INTERNET À: www.electromenagersge.ca POSTEZ À: **ONTARIO, L4Y 4G1**

MR. / M. MRS. / MME FIRST NAME / PRÉNOM LAST NAME / NOM
 MISS/MLE MS.

STREET NO / N° RUE STREET NAME / RUE APT.NO/APP./RR#

CITY / VILLE PROVINCE POSTAL CODE/CODE POSTAL

AREA CODE/IND. RÉG. TELEPHONE/TÉLÉPHONE E-MAIL/COURRIEL

DID YOU PURCHASE A SERVICE CONTRACT FOR THIS APPLIANCE? YES/OUI IF YES/SI OUI : EXPIRATION
AVEZ-VOUS ACHETÉ UN CONTRAT DE SERVICE POUR CET APPAREIL ? NO/NON Y/A M DJ

NAME OF SELLING DEALER / NOM DU MARCHAND MODEL / MODÈLE

INSTALLATION DATE / DATE D'INSTALLATION CORRESPONDENCE ENGLISH
Y/A M DJ CORRESPONDANCE FRANÇAIS SERIAL / SÉRIE

I do not wish to receive any promotional offers regarding this product.
Je ne désire pas recevoir d'offres promotionnelles concernant ce produit.

Refrigerator Warranty.



All warranty service provided by our Factory Service Centers, or an authorized Customer Care® technician. To schedule service, contact us at 1.800.561.3344. Please have serial number and model number available when calling for service.

Staple your receipt here. Proof of the original purchase date is needed to obtain service under the warranty.

For The Period Of: Mabe Will Replace:

One Year

From the date of the original purchase

Any part of the refrigerator which fails due to a defect in materials or workmanship. During this **limited one-year warranty**, Mabe will also provide, **free of charge**, all labor and related service to replace the defective part.

What Mabe Will Not Cover:

- Service trips to your home to teach you how to use the product.
- Improper installation, delivery or maintenance.
- Failure of the product if it is abused, misused, or used for other than the intended purpose or used commercially.
- Loss of food due to spoilage.
- Damage caused after delivery.
- Replacement of house fuses or resetting of circuit breakers.
- Damage to the product caused by accident, fire, floods or acts of God.
- Incidental or consequential damage caused by possible defects with this appliance.
- Product not accessible to provide required service.

EXCLUSION OF IMPLIED WARRANTIES—Your sole and exclusive remedy is product repair as provided in this Limited Warranty. Any implied warranties, including the implied warranties of merchantability or fitness for a particular purpose, are limited to one year or the shortest period allowed by law.

This warranty is extended to the original purchaser and any succeeding owner for products purchased for use in Canada. If the product is located in an area where service by a Mabe Canada Authorized Servicer is not available, you may be responsible for a trip charge or you may be required to bring the product to an Authorized Mabe Canada Service location.

Some provinces do not allow the exclusion or limitation of incidental or consequential damages, so the above limitation or exclusion may not apply to you. This warranty gives you specific legal rights, and you may also have other rights which vary from province to province. To know what your legal rights are in your province, consult your local or provincial consumer affairs office.

Warrantor: Mabe Canada Inc., Burlington, ON L7R 5B6

Consumer Support.



GE Appliances Website

GEAppliances.ca

Have a question or need assistance with your appliance? Try the GE Appliances Website, any day of the year! For greater convenience and faster service, you can now download Owner's Manuals, order parts or even schedule service on-line.



Schedule Service

GEAppliances.ca

Expert repair service is only one step away from your door. Get on-line and schedule your service at your convenience any day of the year! Or call **1.800.561.3344** during normal business hours.



Real Life Design Studio

GEAppliances.ca

We support the Universal Design concept—products, services and environments that can be used by people of all ages, sizes and capabilities. We recognize the need to design for a wide range of physical and mental abilities and impairments. For details of our Universal Design applications, including kitchen design ideas for people with disabilities, check out our Website today.

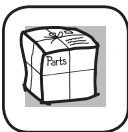
In Canada, contact: Manager, Consumer Relations, Mabe Canada Inc.
Suite 310, 1 Factory Lane
Moncton, N.B. E1C 9M3



Extended Warranties

GEAppliances.ca

Purchase an extended warranty and learn about special discounts that are available while your warranty is still in effect. You can purchase it on-line anytime, or call **1.888.261.2133** during normal business hours. Consumer Home Services will still be there after your warranty expires.



Parts and Accessories

GEAppliances.ca

Individuals qualified to service their own appliances can have parts or accessories sent directly to their homes (VISA, MasterCard and Discover cards are accepted). Order on-line today, 24 hours every day or by phone during normal business hours.

Instructions contained in this manual cover procedures to be performed by any user. Other servicing generally should be referred to qualified service personnel. Caution must be exercised, since improper servicing may cause unsafe operation.

Customers in Canada should consult the yellow pages for the nearest Mabe service center, or call **1.800.661.1616**.



Contact Us

GEAppliances.ca

If you are not satisfied with the service you receive, contact us on our Website with all the details including your phone number, or write to: Director, Consumer Relations, Mabe Canada Inc.
Suite 310, 1 Factory Lane
Moncton, NB, E1C 9M3



Register Your Appliance

GEAppliances.ca

Register your new appliance on-line—at your convenience! Timely product registration will allow for enhanced communication and prompt service under the terms of your warranty, should the need arise. You may also mail in the pre-printed registration card included in the packing material. **In Canada: www.GEAppliances.ca.**



Réfrigérateurs

Sécurité 2, 3

Utilisation

Réglage des commandes.....4

Caractéristiques du réfrigérateur4

Entretien et nettoyage..... 5, 6

Remplacement de l'ampoule5

Installation..... 7 à 9

Dépannage.....10

Service à la clientèle

Enregistrement du produit.....11

Garantie13

Service à la clientèle
..... Dernière de couverture

**Manuel de l'utilisateur
et instructions
d'installation**

GMR03BLH
GMR05BLH

ATTENTION :

Décongélation—N'utilisez pas d'objet tranchant ou pointu pour enlever le givre ou la glace des surfaces du compartiment congélateur. Vous risqueriez de perforer le serpentin de refroidissement, ce qui empêcherait l'appareil de maintenir des températures de refroidissement adéquates et annulerait votre garantie. Reportez-vous à la section Entretien et nettoyage pour obtenir des instructions sur la décongélation du compartiment congélateur.

Inscrivez ici les numéros de modèle et de série :

N° de modèle _____

N° de série _____

Vous trouverez ces numéros sur une étiquette à l'intérieur du compartiment réfrigérateur sur la partie supérieure du côté droit.

CONSIGNES DE SÉCURITÉ IMPORTANTES.

LISEZ TOUTES LES INSTRUCTIONS AVANT D'UTILISER VOTRE APPAREIL.

SÉCURITÉ


CONSIGNES DE SÉCURITÉ IMPORTANTES LISEZ TOUTES LES INSTRUCTIONS AVANT D'UTILISER VOTRE APPAREIL



Site Web des électroménagers GE

Pour obtenir de plus amples renseignements sur le fonctionnement de votre réfrigérateur, visitez le www.electromenagersge.ca.

CONSIGNES DE SÉCURITÉ RELATIVES AU RÉFRIGÉRATEUR

 Il s'agit du symbole d'avertissement de sécurité. Il vous avertit des dangers potentiels qui pourraient provoquer la mort ou des blessures, à vous ou à autrui. Tous les messages de sécurité suivent ce symbole d'avertissement de sécurité et les mots « DANGER », « AVERTISSEMENT » ou « ATTENTION ». Voici la définition de ces mots :

 **DANGER**

Indique une situation dangereuse qui, si elle n'est pas évitée, **entraînera** la mort ou des blessures sérieuses.

 **AVERTISSEMENT**

Indique une situation dangereuse qui, si elle n'est pas évitée, **pourrait** entraîner la mort ou des blessures sérieuses.

 **ATTENTION**

Indique une situation dangereuse qui, si elle n'est pas évitée, **pourrait** entraîner des blessures mineures ou plus sérieuses.

CONSIGNES DE SÉCURITÉ IMPORTANTES

 **AVERTISSEMENT**

Pour réduire les risques d'incendie, d'explosion, de choc électrique ou de blessures lorsque vous utilisez le réfrigérateur, suivez les mesures de sécurité de base suivantes :

- Ce réfrigérateur doit être installé conformément aux instructions d'installation avant d'être utilisé.
- Débranchez l'appareil avant de le nettoyer et de le réparer.
- **REMARQUE** : Les réparations doivent être effectuées par un professionnel qualifié.
- Remplacez toutes les pièces et tous les panneaux avant l'utilisation.
- En raison de risques à la sécurité dans certaines situations, nous vous déconseillons fortement l'utilisation d'un cordon prolongateur. Toutefois, si vous devez utiliser un cordon prolongateur, celui-ci doit absolument être homologué UL (aux États-Unis) ou CSA (au Canada), il doit être de type trifilaire avec mise à la terre, il doit être muni d'une fiche et d'une prise de mises à la terre, et il doit être conçu pour une alimentation nominale de 15 A (minimum) et de 120 V.
- Pour éviter que des enfants ne s'asphyxient et ne s'enferment, démontez les portes du congélateur et du compartiment de réfrigération avant de mettre l'appareil au rebut ou d'interrompre son utilisation.
- Ne rangez pas et n'utilisez pas d'essence ou d'autres vapeurs et liquides inflammables à proximité de cet appareil ou de tout autre appareil électroménager.
- Aucun réglage du panneau de commande du réfrigérateur ne peut couper son alimentation électrique. Le réfrigérateur doit être débranché de la prise électrique pour couper son alimentation.
- Ne laissez pas les enfants grimper, s'asseoir, se tenir debout ni se pendre aux poignées de porte ou clayettes du réfrigérateur. Ils pourraient se blesser gravement.
- Éloignez vos doigts des zones où vous pouvez facilement vous faire pincer : les espaces entre les portes, et entre les portes et les armoires, sont toujours étroits. Soyez prudent lorsque vous fermez les portes du réfrigérateur en présence d'enfants.
- Ne touchez pas aux surfaces froides dans le compartiment congélateur lorsque vos mains sont mouillées ou humides, la peau pourrait coller aux surfaces extrêmement froides.
- Ne recongelez pas d'aliments qui ont complètement décongelé.

SÉCURITÉ (SUITE)

INSTALLATION



AVERTISSEMENT  Risque d'explosion.

Tenez les matières et les vapeurs inflammables, comme l'essence, à l'écart du réfrigérateur. Le non-respect de cette consigne peut entraîner un incendie, une explosion ou la mort.

RACCORDEMENT ÉLECTRIQUE



AVERTISSEMENT  Risque de choc électrique.

Branchez l'appareil sur une prise à 3 alvéoles mise à la terre

Ne retirez pas la broche de mise à la terre de la fiche

N'utilisez pas de fiche d'adaptation

Le non-respect de ces instructions peut entraîner un choc électrique, un incendie ou même la mort.



Ne coupez ou ne retirez en aucun cas la troisième broche (mise à la terre) de la fiche du cordon d'alimentation.

Pour des raisons de sécurité, cet appareil doit être correctement mis à la terre.

Pour diminuer les risques de choc électrique, le cordon d'alimentation de cet appareil est muni d'une fiche à 3 broches (mise à la terre) qui correspond à une prise murale à 3 alvéoles (prise mise à la terre).

Faites vérifier la prise murale et le circuit par un électricien qualifié pour vous assurer que la prise est correctement mise à la terre.

Si la prise murale comporte 2 alvéoles, il vous incombe de la faire remplacer par une prise à 3 alvéoles correctement mise à la terre. N'utilisez pas de fiche d'adaptation.

Le réfrigérateur doit toujours être le seul appareil branché sur une prise de courant dont la tension nominale correspond à celle indiquée sur la plaque signalétique.

Une alimentation électrique mise à la terre de 115 volts CA, 60 Hz, avec fusible de 15 ou 20 A est nécessaire.

Cela assure de meilleures performances et évite toute surcharge, et donc surchauffe, des circuits du domicile qui pourrait être à l'origine d'un incendie.

Ne débranchez jamais le réfrigérateur en tirant sur son cordon d'alimentation. Saisissez fermement la fiche et sortez-la de la prise en tirant bien droit.

Réparez ou remplacez immédiatement tous les cordons électriques effilochés ou endommagés. N'utilisez pas de cordon qui présente des signes d'usure ou de fissure.

Lorsque vous éloignez l'appareil du mur, faites attention à ne pas le faire rouler sur le cordon d'alimentation et à ne pas endommager ce dernier.

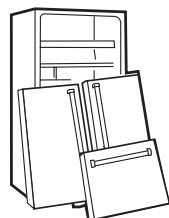
MISE AU REBUT ADÉQUATE DE VOTRE VIEUX RÉFRIGÉRATEUR



AVERTISSEMENT Risque d'asphyxie et d'enfermement des enfants.

Avant la mise au rebut du congélateur, retirez les portes des compartiments de réfrigération et de congélation de l'appareil. Dans le cas contraire, un enfant pourrait rester enfermer et mourir ou souffrir de dommages cérébraux.

IMPORTANT :



Les enfants pris au piège ou morts d'asphyxie sont un problème courant. Les réfrigérateurs abandonnés ou mis au rebut sont toujours dangereux même si ce n'est que pour « quelques jours ». Si vous vous débarrassez de votre vieux réfrigérateur, veuillez suivre les instructions ci-dessous pour éviter tout accident.

Avant de mettre au rebut votre ancien réfrigérateur ou congélateur :

- Retirez les portes du congélateur et du compartiment de réfrigération.

- Laissez les clayettes en place afin d'empêcher les enfants de grimper à l'intérieur.

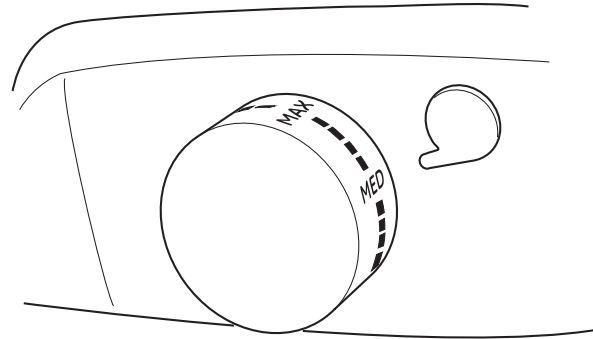
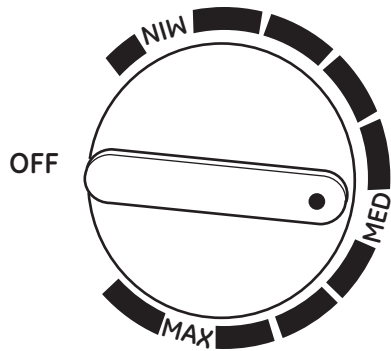
Fluides frigorigènes

Tout appareil de réfrigération contient des frigorigènes qui doivent être retirés avant la mise au rebut de l'appareil. Si vous vous débarrassez d'un ancien appareil, adressez-vous à l'entreprise d'élimination des déchets pour savoir comment procéder.



**LISEZ ATTENTIVEMENT ET RESPECTEZ CES CONSIGNES DE SÉCURITÉ.
CONSERVEZ CES INSTRUCTIONS**

À propos des commandes et fonctions du réfrigérateur



Le bouton de commande ressemble à un de ceux illustrés ci-dessus.



Réglage des commandes

Le bouton de commande de température maintient la température dans le réfrigérateur. MIN (minimum) est le réglage le moins froid. MAX (maximum) est le réglage le plus froid. Placez le bouton de commande à MED.

Il faut 24 heures au réfrigérateur pour qu'il atteigne la température MED. Si vous souhaitez une température plus élevée ou moins élevée, tournez le bouton de commande d'un réglage à la fois. Placer le bouton de commande en position OFF (arrêt) arrête le refroidissement, mais ne coupe pas l'alimentation du réfrigérateur. Utiliser un réglage trop élevé peut entraîner la congélation des aliments du réfrigérateur selon la température ambiante.

Comment vérifier les températures

Utilisez le test du lait. Placez un contenant de lait sur une clayette et vérifiez sa température un jour plus tard. Si le lait est trop chaud ou trop froid, ajustez la commande de température.

Après avoir modifié le réglage de la température, attendez 24 heures pour que la température du réfrigérateur atteigne la température désirée.

Caractéristiques

Clayettes

Pour retirer une clayette, soulevez légèrement l'arrière de celle-ci et tirez-la vers vous. Certains modèles disposent de clayettes à positions multiples, qui peuvent être installées à des hauteurs différentes.

Compartment à glaçons

Ce compartiment est conçu pour produire des glaçons et pour le stockage à court terme (au maximum quelques jours) de certains aliments congelés commerciaux, lorsqu'il y a contact avec l'évaporateur (la surface froide du compartiment).

Balconnets

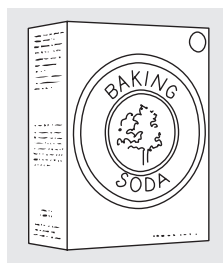
Les balconnets de la porte fournissent un espace de rangement pratique pour les articles fréquemment utilisés. Certains modèles disposent de portes assez profondes pour contenir de grandes bouteilles.

Nettoyage de la surface extérieure

L'extérieur doit rester propre. Nettoyez avec un chiffon propre légèrement imbibé de cire pour électroménagers ou de liquide à vaisselle doux. Séchez et polissez à l'aide d'un linge doux et propre.

N'essuyez pas le réfrigérateur avec un torchon sale ou une serviette humide. Ceux-ci peuvent laisser un résidu qui pourrait endommager la peinture. N'utilisez pas de tampon à récurer, de poudre nettoyante, d'agent de blanchiment (ou de produit qui en contient) car ils peuvent rayer ou fragiliser la peinture.

Protection de la peinture L'extérieur du réfrigérateur est recouvert d'une peinture cuite au four de haute qualité. S'il est bien entretenu, le revêtement garde son aspect neuf et ne rouille pas pendant de nombreuses années. Appliquez une couche de cire pour électroménagers de cuisine lorsque le réfrigérateur est encore neuf, puis répétez l'application au moins deux fois par an.



Nettoyage de l'intérieur

Pour éviter les odeurs désagréables, laissez une boîte de bicarbonate de soude ouverte dans le réfrigérateur.

Débranchez le réfrigérateur avant de le nettoyer. Si cela n'est pas pratique, essorez bien l'éponge ou le chiffon utilisés lorsque vous nettoyez autour du bouton de commande.

Utilisez une solution d'eau chaude et de bicarbonate de soude – environ une cuillère à soupe (15 mL) de bicarbonate de soude pour 1 litre d'eau. Cela sert à nettoyer et à neutraliser les odeurs. Rincez et essuyez.

Les autres pièces du réfrigérateur – dont les joints de porte, les bacs à fruits et légumes, et les pièces en plastique – peuvent être nettoyées de la même manière.

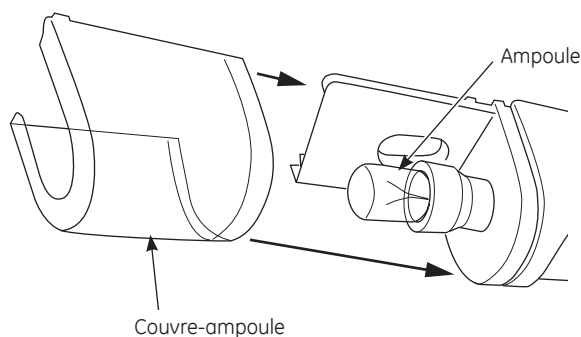
Ne nettoyez aucune des pièces en plastique du réfrigérateur au lave-vaisselle.

Remplacement de l'ampoule (certains modèles)

Débranchez le réfrigérateur avant de remplacer une ampoule grillée. Tourner le bouton de commande à la position **OFF (arrêt)** ne coupe pas l'alimentation du circuit d'éclairage.

L'ampoule est située derrière le boîtier de la commande de température et est visible derrière le couvre-ampoule.

Enlevez le couvre-ampoule de la base du boîtier. Dévissez doucement l'ampoule. Remplacez-la par une ampoule de puissance identique ou inférieure.



Entretien et nettoyage du réfrigérateur

Décongélation (uniquement sur les modèles à dégivrage manuel)

Procédez au dégivrage de l'appareil dès que le givre sur les parois du compartiment à glaçons atteint 1/4 po (0,6 cm) d'épaisseur. **N'utilisez jamais d'outil pointu ou métallique pour enlever le givre, car cela pourrait endommager les serpentins de refroidissement.** (La perforation d'un serpentin de refroidissement peut causer un grave problème à l'appareil et annulera sa garantie.) Nous vous recommandons d'utiliser un grattoir en plastique. N'utilisez jamais d'appareil électrique pour dégivrer votre réfrigérateur.

Pour dégivrer votre réfrigérateur :

- Retirez la nourriture et les moules à glaçons du réfrigérateur et du compartiment à glaçons.
- Réglez le bouton de commande de température à la position **OFF (arrêt)**.
- Pour les modèles dépourvus de plateau d'égouttement, placez un récipient sous le compartiment à glaçons afin de recueillir l'eau.

Le dégivrage prend généralement quelques heures. Pour accélérer le dégivrage, laissez la porte du réfrigérateur ouverte. Verser de l'eau tiède (et non chaude) sur les pièces givrées accélère également le dégivrage. **N'utilisez jamais d'eau bouillante**, cela pourrait endommager les pièces en plastique.

Après le dégivrage :

- Videz l'eau du plateau d'égouttement ou du récipient placé sous le compartiment à glaçons. Nettoyez le plateau ou le récipient avec de l'eau tiède.
- Nettoyez le compartiment à glaçons avec un chiffon humide.
- Tournez le bouton de commande de température au réglage désiré et replacez les aliments et les moules à glaçons dans le réfrigérateur.

REMARQUE : Si le givre atteint une épaisseur importante, il pourrait empêcher la porte du compartiment à glaçons de se fermer complètement. Ne tentez pas d'ouvrir cette porte en la forçant; après le dégivrage du réfrigérateur, elle pourra s'ouvrir et se fermer facilement.

Avant de partir en vacances

En cas de longues vacances ou d'une absence prolongée, retirez les aliments du réfrigérateur et débranchez-le. Tournez la bouton de commande à la position **OFF (arrêt)** et nettoyez l'intérieur du réfrigérateur à l'aide d'une solution composée d'une cuillerée à soupe (15 mL) de bicarbonate de soude et d'une pinte (1 L) d'eau. Laissez la porte ouverte.

Avant un déménagement

Afin d'éviter d'endommager les pièces mobiles comme les clayettes et les bacs à glaçons, immobilisez-les au moyen de ruban adhésif.

Assurez-vous que le réfrigérateur reste en position verticale durant le déménagement.

Instructions d'installation

Réfrigérateur

Modèles de 3 pieds cubes (84 l)
Modèles de 4 pieds cubes (113 l)

Si vous avez des questions, composez le 1-800-561-3344 ou consultez notre site Web à l'adresse suivante : www.electromenagersge.ca

AVANT DE COMMENCER

Lisez attentivement toutes ces instructions.

- **IMPORTANT** – Conservez ces instructions pour l'inspecteur local.
- **IMPORTANT** – Observez tous les codes et règlements en vigueur.
- **Remarque destinée à l'installateur** – Veillez à laisser ces instructions au consommateur.
- **Remarque destinée au consommateur** – Conservez ces instructions pour vous y reporter ultérieurement.

EXIGENCES CONCERNANT L'EMPLACEMENT D'INSTALLATION

- N'installez pas le réfrigérateur dans un endroit où la température peut descendre en dessous de 50 °F (10 °C), car il ne fonctionnera pas assez souvent pour maintenir une bonne température intérieure.
- Installez-le sur un plancher assez solide pour le supporter une fois plein.
- N'installez pas l'appareil dans une surface creuse.
- N'encastrez pas le réfrigérateur.

DÉGAGEMENTS

Prévoir les dégagements suivants pour faciliter l'installation et permettre une bonne circulation de l'air :

	Modèles de 3 et 4 pieds cubes (84 et 113 l)
Côtés	1/2 po (13 mm)
Haut	2 po (51 mm)
Arrière	2 po (51 mm)**

**Entre mur et la paroi arrière du réfrigérateur

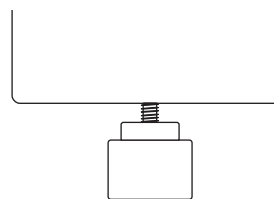
DÉBALLAGE DU RÉFRIGÉRATEUR

- Retirez les rubans et les étiquettes (sauf l'étiquette de capacité nominale) du réfrigérateur. Il est également possible de retirer les résidus de ruban ou de colle en frottant une petite quantité de liquide à vaisselle sur la substance adhésive avec vos doigts. Essuyez avec de l'eau chaude et séchez.
- N'utilisez pas d'instrument pointu, d'alcool à friction ou de liquide inflammable, de nettoyant abrasif pour retirer le ruban ou la colle. Ces produits peuvent endommager la surface du réfrigérateur.
- Lorsque vous déplacez le réfrigérateur, ne l'inclinez pas au-delà de 45° par rapport à la position debout.

PIEDS DE MISE À NIVEAU

Les **pieds réglables** à l'avant du réfrigérateur doivent être ajustés de manière à ce que l'appareil repose bien sur le sol et que l'avant soit légèrement surélevé pour permettre à la porte de se fermer facilement lorsque celle-ci est entreouverte.

Pour régler les pieds de mise à niveau : tournez-les vers la gauche pour lever le réfrigérateur, vers la droite pour l'abaisser.



Tournez vers la gauche pour lever,
vers la droite pour abaisser.

Instructions d'installation



Risque d'explosion.

Tenez les matières et les vapeurs inflammables, comme l'essence, à l'écart du réfrigérateur. Le non-respect de cette consigne peut entraîner un incendie, une explosion ou la mort.

RACCORDEMENT ÉLECTRIQUE



Risque de choc électrique.

Branchez l'appareil sur une prise à 3 alvéoles mise à la terre

Ne retirez pas la broche de mise à la terre de la fiche

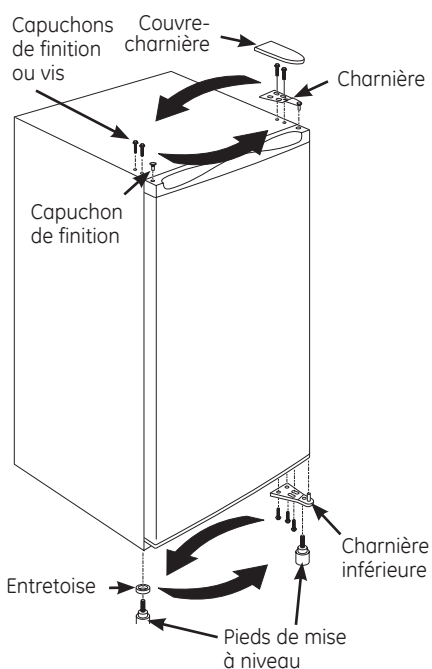
N'utilisez pas de fiche d'adaptation

Le non-respect de ces consignes peut entraîner un choc électrique, un incendie ou même la mort.

CORDON D'ALIMENTATION

- Branchez le cordon d'alimentation du réfrigérateur dans une prise correctement mise à la terre et comportant une tension nominale correspondant à celle de la plaque signalétique du réfrigérateur.
- N'utilisez pas de cordon prolongateur.
- Lisez toutes les consignes de sécurité aux pages 2 et 3.

Inversion de la porte (certains modèles)

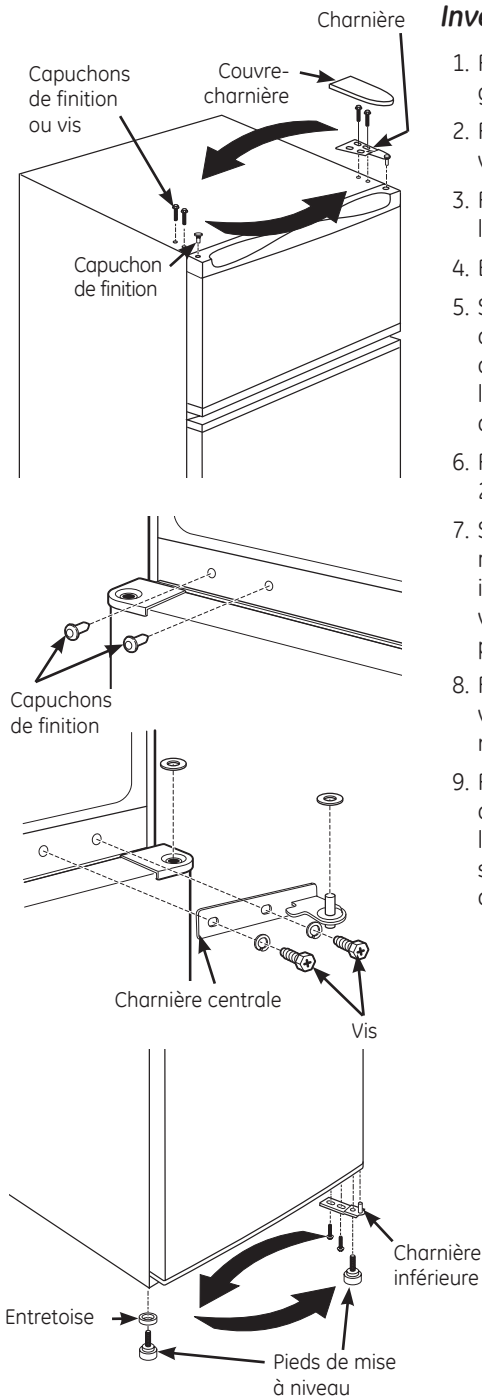


1. Retirez le petit capuchon de finition situé à gauche de l'embout supérieur de la porte.
2. Retirez les 2 capuchons de finition ou les 2 vis situés en haut, à gauche de la caisse.
3. Retirez le couvre-charnière en plastique en le soulevant par son bord avant.
4. Enlevez les 2 vis de la charnière supérieure.
5. Soulevez la porte et dégagez-la de la charnière inférieure (à droite).
6. Faites basculer le caisson du réfrigérateur vers l'arrière pour retirer le pied de mise à niveau gauche.
7. Retirez les vis de la charnière inférieure (à droite) et le pied de mise à niveau. Déplacez la charnière du bas vers la gauche et sécurisez-la avec des vis. Remplacez les pieds de mise à niveau.

IMPORTANT : Le pied gauche dispose d'une entretoise qui doit être déplacée vers le pied de mise à niveau droit lorsque la porte est inversée.

8. Vissez le pied de mise à niveau droit, avec l'entretoise de nouveau en place, pour l'installer du côté droit.
9. Installez la porte sur la charnière inférieure gauche. Le joint magnétique immobilisant la porte, fixez la charnière supérieure avec des vis.
10. **Assurez-vous que la porte est alignée avec le caisson du réfrigérateur avant de continuer.**
11. Remplacez le couvre-charnière sur le dessus de la charnière.
12. Enfoncez le capuchon de finition dans le trou du côté droit de l'embout de la porte.
13. Placez les deux capuchons de finition du côté droit, sur le dessus du caisson.

Instructions d'installation



Inversion de 2 portes (certains modèles)

1. Retirez le petit capuchon de finition situé à gauche de l'embout supérieur de la porte.
2. Retirez les 2 capuchons de finition ou les 2 vis situés en haut, à gauche du caisson.
3. Retirez le couvre-charnière en plastique en le soulevant par son bord avant.
4. Enlevez les 2 vis de la charnière supérieure.
5. Soulevez la porte du congélateur et dégagez-la de la charnière centrale (à droite). Posez la porte, face extérieure vers le haut, sur une surface qui ne risque pas de la rayer.
6. Retirez la charnière centrale en enlevant les 2 vis. Soulevez la charnière pour la retirer.
7. Soulevez la porte du compartiment réfrigérateur et dégagez-la de la charnière inférieure. Posez la porte, face extérieure vers le haut, sur une surface qui ne risque pas de la rayer.
8. Faites basculer le caisson du réfrigérateur vers l'arrière pour retirer le pied de mise à niveau gauche.
9. Retirez les vis de la charnière inférieure (à droite) et le pied de mise à niveau. Déplacez la charnière du bas vers la gauche et sécurisez-la avec des vis. Remplacez les pieds de mise à niveau.
10. Vissez le pied de mise à niveau droit, avec l'entretoise de nouveau en place, pour l'installer du côté droit.
11. Retirez les deux capuchons de finition situés du côté gauche, au centre et mettez-les à droite.
12. Installez la porte sur la charnière inférieure gauche. Le joint magnétique immobilisant la porte, assurez-vous que la porte est alignée avec le réfrigérateur et fixez la charnière centrale à gauche avec des vis.
13. Posez la porte du compartiment congélateur sur l'axe de la charnière centrale. Assurez-vous que la porte est alignée horizontalement et verticalement, et que les joints d'étanchéité sont présents de chaque côté.
14. Remplacez la charnière supérieure sur le côté gauche avec des vis.
15. Remplacez le couvre-charnière sur le dessus de la charnière.
16. Enfoncez le capuchon de finition dans le trou du côté droit de l'embout de la porte.
17. Placez les deux capuchons de finition du côté droit, sur le dessus du caisson.

IMPORTANT : Le pied gauche dispose d'une entretoise qui doit être déplacée vers le pied de mise à niveau droit lorsque la porte est inversée.

Avant de contacter un service de dépannage...



Conseils de dépannage
Économisez du temps et de l'argent! Vérifiez le tableau ci-dessous pour éviter tout appel de service qui ne serait pas nécessaire.

Problème	Causes possibles	Solutions
Le réfrigérateur ne fonctionne pas	La commande est en position d'arrêt (OFF).	Positionnez le bouton de commande à un réglage de température.
	Le réfrigérateur est débranché.	Insérez complètement la fiche dans la prise.
	Le fusible est grillé/le disjoncteur s'est déclenché.	Remplacez le fusible ou réenclenchez le disjoncteur.
Vibration ou bruit de cliquetis (une légère vibration est normale)	Les pieds de mise à niveau avant doivent être ajustés.	Voir <i>Pieds de mise à niveau</i> .
	Le réfrigérateur est sur une surface inégale.	Utilisez des cales pour mettre le réfrigérateur à niveau.
Le moteur fonctionne pendant des périodes ou des cycles prolongés	Cela est normal lors du branchement initial du réfrigérateur.	Attendez 24 heures que le réfrigérateur se refroidisse entièrement.
	Cela se produit souvent lorsque de grandes quantités d'aliments sont placés dans le réfrigérateur.	Cela est normal.
	La porte est restée ouverte.	Vérifiez si un emballage empêche la fermeture de la porte.
	Température ambiante élevée ou ouvertures fréquentes de la porte.	Cela est normal.
	La commande de température est placée au réglage le plus froid.	Consultez la section <i>À propos des commandes et fonctions du réfrigérateur</i> .
	Il n'y pas suffisamment de dégagement par rapport au mur.	Voir <i>Dégagements</i> dans la rubrique <i>Préparation avant l'installation du réfrigérateur</i> .
Réfrigérateur trop chaud	La commande de température n'a pas été placée à un réglage suffisamment froid.	Consultez la section <i>À propos des commandes et fonctions du réfrigérateur</i> .
	Température ambiante élevée ou ouvertures fréquentes de la porte.	Placez le réglage de la commande de température un degré plus froid. Consultez la section <i>À propos des commandes et fonctions du réfrigérateur</i> .
	La porte est restée ouverte.	Vérifiez si un emballage empêche la fermeture de la porte.
	Les côtés du caisson sont chauds.	Ceci est normal pour un condensateur à surfaces chaudes.
Le réfrigérateur dégage de mauvaises odeurs	Des aliments transmettent une odeur au réfrigérateur.	Les aliments qui dégagent une forte odeur doivent être bien emballés.
		Gardez une boîte de bicarbonate de soude ouverte dans le réfrigérateur et remplacez-la tous les trois mois.
De l'humidité se forme sur l'extérieur du réfrigérateur	Cela n'est pas anormal lors des périodes de grande humidité.	Asséchez la surface en l'essuyant.
De l'humidité s'accumule à l'intérieur (lorsque la température est humide, l'air transporte l'humidité dans le réfrigérateur lorsque la porte est ouverte)	Ouvertures de porte trop fréquentes ou trop longues.	
Réfrigérateur trop froid	Le réfrigérateur a été réglé à une température trop basse.	Consultez la section <i>À propos des commandes et fonctions du réfrigérateur</i> .

Please place in envelope and mail to:
Veuillez mettre dans une enveloppe et envoyez à :

**OWNERSHIP REGISTRATION
P.O. BOX 1780
MISSISSAUGA, ONTARIO
L4Y 4G1**

**(FOR CANADIAN CONSUMERS ONLY -
POUR RÉSIDENTS CANADIENS SEULEMENT)**



For Canadian
Customers



Pour les
consommateurs
canadiens

CUT ALONG THIS LINE AND RETURN CARD - THANKS
DÉCOUPEZ ICI ET ENVOYEZ LA FICHE - MERCI

OWNERSHIP REGISTRATION CERTIFICATE – FICHE D'INSCRIPTION DU PROPRIÉTAIRE

Please register your product to enable us to contact you in the remote event a safety notice is issued for this product and to allow for efficient communication under the terms of our warranty, should the need arise.

Veillez enregistrer votre produit afin de nous permettre de communiquer avec vous si jamais un avis de sécurité concernant ce produit était émis et de communiquer facilement avec vous en vertu de votre garantie, si le besoin s'en fait sentir.

REGISTER ON-LINE: www.geappliances.ca MAIL TO: **P.O. BOX 1780, MISSISSAUGA**
ENREGISTREMENT SUR INTERNET À : www.electromenagersge.ca POSTEZ À : **ONTARIO, L4Y 4G1**

MR. / M. MRS. / MME FIRST NAME / PRÉNOM LAST NAME / NOM
 MISS/MLE MS.

STREET NO / N° RUE STREET NAME / RUE APT.NO/APP./RR#

CITY / VILLE PROVINCE POSTAL CODE/CODE POSTAL

AREA CODE/IND. RÉG. TELEPHONE/TÉLÉPHONE E-MAIL/COURRIEL

DID YOU PURCHASE A SERVICE CONTRACT FOR THIS APPLIANCE? YES/OUI IF YES/SI OUI : EXPIRATION
AVEZ-VOUS ACHETÉ UN CONTRAT DE SERVICE POUR CET APPAREIL ? NO/NON Y/A M DJ

NAME OF SELLING DEALER / NOM DU MARCHAND MODEL / MODÈLE

INSTALLATION DATE / DATE D'INSTALLATION CORRESPONDENCE ENGLISH
Y/A M DJ CORRESPONDANCE FRANÇAIS SERIAL / SÉRIE

I do not wish to receive any promotional offers regarding this product.
Je ne désire pas recevoir d'offres promotionnelles concernant ce produit.

Garantie du réfrigérateur

www.electromenagersge.ca



Toutes les réparations sous garantie sont effectuées par nos Centres de réparation ou par nos réparateurs agréés Customer Care®. Pour obtenir une réparation sous garantie, appelez-nous au 1-800-561.3344. Veuillez avoir les numéros de série et de modèle de votre appareil à portée de main lorsque vous appelez pour obtenir un service.

Agrafez votre facture ici.
Une preuve de la date d'achat d'origine est requise pour obtenir des services sous garantie.

Pendant la période de : Mabe remplacera :

Un an

À compter de la date l'acheteur d'origine

Toute **pièce** défectueuse du réfrigérateur en raison d'un vice de matériau ou de fabrication. Au cours de cette **garantie limitée d'un an**, Mabe fournira également, **sans frais**, toute la main-d'œuvre et la réparation connexe à de la pièce défectueuse à domicile.

Mabe ne couvre pas :

- Toute visite à votre domicile pour vous expliquer le fonctionnement de l'appareil.
- L'installation, la livraison ou l'entretien inadéquats de l'appareil.
- Toute défectuosité du produit lorsqu'il a été utilisé de façon abusive ou inadéquate, lorsqu'il a été utilisé à d'autres fins que celles pour laquelle il a été conçu ou s'il a été utilisé à des fins commerciales.
- Les aliments avariés.
- Tout dommage causé après la livraison.
- Le remplacement des fusibles ou le réenclenchement des disjoncteurs du panneau de distribution de votre résidence.
- Tout dommage au produit attribuable à un accident, un incendie, une inondation ou une catastrophe naturelle.
- Les dommages directs et indirects, causés par des défaillances possibles de l'appareil.
- Tout produit auquel il n'est pas possible d'accéder pour effectuer les réparations nécessaires.

EXCLUSION DES GARANTIES IMPLICITES : votre seul et unique recours est de faire réparer le produit dans le cadre de cette garantie limitée. Toute garantie implicite, incluant la garantie de qualité marchande ou d'adaptabilité du produit à un usage particulier, est limitée à un an ou à la période la plus courte autorisée par la loi.

Cette garantie est offerte à l'acheteur initial, ainsi qu'à tout propriétaire subséquent d'un produit acheté en vue d'une utilisation domestique au Canada. Si le produit se situe dans une zone où aucun réparateur agréé par Mabe Canada n'est disponible, vous devrez peut-être assumer les frais de déplacement de celui-ci ou apporter le produit à un atelier de réparation agréé par Mabe.

Dans certaines provinces, il est interdit d'exclure ou de limiter les dommages indirects ou accessoires. Il est alors possible que les limitations ou exclusions ci-dessus ne s'appliquent pas dans votre cas. La présente garantie vous confère des droits juridiques spécifiques. Vous pouvez bénéficier d'autres droits, qui varient d'une province à l'autre. Pour connaître les droits dont vous bénéficiez dans votre province, contactez le bureau des Relations avec les consommateurs de votre région ou de votre province.

Garant : Mabe Canada Inc., Burlington, ON L7R 5B6

Service à la clientèle



Site Web des électroménagers GE

www.electromenagersge.ca

Vous avez une question ou besoin d'aide concernant votre appareil? Vous pouvez visiter le site Web des électroménagers GE tous les jours de l'année! Pour un service pratique encore plus rapide, vous pouvez maintenant télécharger des manuels, commander des pièces ou même faire une demande de réparation en ligne.



Demande de réparation

www.electromenagersge.ca

Le service de réparation expert n'est qu'à un pas de chez vous. Demandez une réparation en ligne, peu importe la journée! C'est pratique! Vous pouvez également téléphoner au **1 800 561-3344** durant les heures normales de bureau.



Centre de conception universelle

www.electromenagersge.ca

Nous soutenons la conception universelle : produits, services et environnements à la portée de tous, quels que soient leur âge, taille ou capacités mentales et physiques. Nous avons conscience qu'il est nécessaire d'adapter nos produits à toute la variété de capacités et de handicaps physiques et mentaux existants. Pour plus de détails sur les applications de conception universelle, dont la conception de cuisines pour les personnes atteintes d'un handicap, consultez notre site Web dès aujourd'hui.

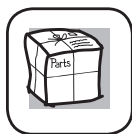
Au Canada, écrivez à : Manager, Consumer Relations, Mabe Canada Inc.
Suite 310, 1 Factory Lane
Moncton, N.-B. E1C 9M3



Garanties prolongées

www.electromenagersge.ca

Procurez-vous une garantie prolongée et informez-vous au sujet des rabais spéciaux offerts tout au long de la durée de votre garantie. Vous pouvez vous la procurer en ligne en tout temps ou en téléphonant au **1 888 261-2133** pendant les heures normales de bureau. Les services à domicile seront toujours disponibles après l'expiration de votre garantie.



Pièces et accessoires

www.electromenagersge.ca

Les personnes ayant les compétences requises pour réparer elles-mêmes leurs appareils peuvent recevoir directement à la maison des pièces ou accessoires (les cartes VISA, MasterCard et Discover sont acceptées). Commandez en ligne dès aujourd'hui, 24 heures sur 24, ou en téléphonant pendant les heures normales de bureau.

Les directives stipulées dans le présent manuel comportent des procédures que n'importe quel utilisateur peut effectuer. Les autres types de réparation doivent généralement être confiés à un technicien qualifié. Utilisez de prudence, car une réparation ou un entretien mal effectué peut rendre l'utilisation de l'appareil dangereuse.

Les clients au Canada doivent consulter les pages jaunes pour connaître le centre de réparation Mabe le plus proche ou téléphonez au **1 800 661-1616**.



Communiquez avec nous

www.electromenagersge.ca

Si vous n'êtes pas satisfait du service après-vente de Mabe, communiquez avec nous sur notre site Web en fournissant tous les détails et votre numéro de téléphone ou écrivez à : Director, Consumer Relations, Mabe Canada Inc.

Suite 310, 1 Factory Lane
Moncton, N.-B. E1C 9M3



Enregistrez votre appareil

www.electromenagersge.ca

Enregistrez votre nouvel appareil en ligne au moment qui vous convient le mieux! L'enregistrement de votre produit dans les délais prescrits permet une meilleure communication et un service rapide, selon les modalités de votre garantie, si besoin est. Vous pouvez également envoyer par courrier la carte d'enregistrement préimprimée qui se trouve dans l'emballage de votre appareil. **Au Canada** : www.electromenagersge.ca.