

Design Guide with  
**Installation  
Instructions**

Fresh-Food Refrigerator  
ZIFI240  
ZIFS240

Bar Refrigerator with Icemaker  
ZIBI240  
ZIBS240



# Safety Information

## BEFORE YOU BEGIN:

Read these instructions completely and carefully.

**IMPORTANT** – Save these instructions for local inspector's use.

**IMPORTANT** – Observe all governing codes and ordinances.

**Note to Installer** – Be sure to leave these instructions with the Consumer.

**Note to Consumer** – Keep these instructions with your Owner's Manual for future reference.

**⚠ WARNING** – This appliance must be properly grounded. See below.

## ⚠ AVERTISSEMENT –

Cet appareil doit être correctement mis à la terre. Consulter ci-dessous.

If you received a damaged Fresh-Food Refrigerator or Bar Refrigerator with Icemaker, you should immediately contact your dealer or builder.

**Skill Level** – Installation requires basic mechanical skills. Proper installation is the responsibility of the installer. Product failure due to improper installation is not covered under the GE Appliance Warranty.

## ⚠ WARNING:

- Use this appliance only for its intended purpose.
- Immediately repair or replace electrical service cords that become frayed or damaged.
- Unplug the unit before cleaning or making repairs.
- Repairs should be made by a qualified service technician.

## ⚠ AVERTISSEMENT :

- Il ne faut utiliser cet appareil que pour l'usage pour lequel il a été construit.
- Il faut réparer ou remplacer immédiatement tout cordon d'alimentation électrique effiloché ou endommagé.
- Débranchez le réfrigérateur avant le nettoyage ou toute intervention.
- Les réparations doivent être faites par un technicien qualifié.

For Monogram local service in your area, call  
**1.800.444.1845**

For Monogram service in Canada, call  
**1.800.561.3344**

For Monogram Parts and Accessories, call  
**1.800.626.2002.**

[monogram.com](http://monogram.com)

## GROUNDING THE FRESH-FOOD REFRIGERATOR OR BAR REFRIGERATOR WITH ICEMAKER

**IMPORTANT** – Please read carefully.

FOR PERSONAL SAFETY, THIS APPLIANCE MUST BE PROPERLY GROUNDED.

The power cord of this appliance is equipped with a 3-prong (grounding) plug which mates with a standard 3-prong (grounding) wall receptacle to minimize the possibility of electric shock hazard from this appliance.

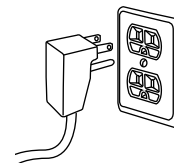
Have the wall outlet and circuit checked by a qualified electrician to make sure the outlet is properly grounded.

Where a standard 2-prong wall outlet is encountered, it is your personal responsibility and obligation to have it replaced with a properly grounded 3-prong wall outlet.

**DO NOT, UNDER ANY CIRCUMSTANCES, CUT OR REMOVE THE THIRD (GROUND) PRONG FROM THE POWER CORD.**

**DO NOT USE AN ADAPTER PLUG TO CONNECT THE REFRIGERATOR TO A 2-PRONG OUTLET.**

**DO NOT USE AN EXTENSION CORD WITH THIS APPLIANCE.**



# Installation Instructions

## CONTENTS

### Important Information

Parts Required.....	3
Caring for Your Stainless Steel .....	3
Tools, Hardware .....	3
Staining Wood Drawer Fronts .....	3
Install Water Line .....	3

### Design Guide (For ZIFS240 and ZIBS240)

The Installation Space .....	4
Side-by-Side Installations .....	5
Product Clearances .....	5

### Design Guide (For ZIFI240 and ZIBI240)

The Installation Space .....	6
Side-by-Side Installations .....	7
Product Clearances .....	7

### Installation Instructions

Step 1, Remove Packaging and Installation Parts .....	8
Step 2, Install Custom 3/4" Door Panel and Handle (ZIFI240 and ZIBI240 models only) .....	8, 9
Step 3, Leveling.....	9
Step 4, Connect Water Supply (ZIBI240 and ZIBS240 models only) .....	9
Step 5, Connect Power .....	10
Step 6, Slide Product into Cutout .....	10
Step 7, Set Temperature Controls .....	10

## ZIFI240 AND ZIBI240 MODELS ONLY

### PARTS REQUIRED

- Custom handle
- Assembled overlay panel
- Screws

### PARTS SUPPLIED

- Handle side trim
- Optional black or stainless steel toekick

## CARING FOR YOUR STAINLESS STEEL

- Before installation or first use, we strongly advise that you polish the stainless steel exterior and handle with a commercially available stainless steel cleaner such as Stainless Steel Magic.™ To preserve and protect the fine finish, we also strongly advise that you apply stainless steel cleaner monthly.

## TOOLS/HARDWARE REQUIRED

- Adjustable wrench
- Carpenter's glue (ZIFI240 and ZIBI240 models only)
- Screwdriver (ZIFI240 and ZIBI240 models only)

## STAINING WOOD DRAWER FRONTS

The drawer fronts are unfinished cherry wood. During use, oil from hands may accumulate and stain the wood.

- The drawer fronts may be stained and sealed to match adjacent cabinetry.
- Apply the stain and sealer according to the manufacturer's instructions. To avoid unpleasant odor, keep the door open to ventilate and allow the stain/sealer to dry completely before using the product.

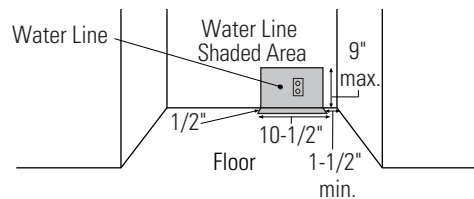
## INSTALL WATER LINE (ZIBI240 AND ZIBS240 MODELS ONLY)

- A cold water supply is required for automatic icemaker operation. The water pressure must be between 20 and 120 p.s.i.
- The water line can enter the opening through the floor or back wall. Route 1/4" O.D. copper tubing or GE SmartConnect™ kit between the cold water line and water connection location, long enough to extend to the front of the refrigerator.
- Install an optional water filter in the water line near the refrigerator. A water filter is recommended in areas where the water supply contains sand and particles. Installation Instructions are packed with the filter.

**NOTE:** The only GE approved plastic tubing is supplied in the GE SmartConnect™ Refrigerator Tubing kits. Do not use any other plastic water supply line because the line is under pressure at all times. Other types of plastic may crack or rupture with age and cause water damage to your home.

GE SmartConnect™ Refrigerator Tubing Kits are available in the following lengths:

2' (0.6 m)	WX08X10002	15' (4.6 m)	WX08X10015
6' (1.8 m)	WX08X10006	25' (7.6 m)	WX08X10025



### Shut off the main water supply.

Turn on the nearest faucet long enough to clear the line of water.

- Install a shut-off valve (required) between the icemaker water valve and cold water pipe in a basement or cabinet. The shut-off valve should be located where it will be easily accessible.
- Turn on the main water supply and flush debris. Run about a quart of water through the tubing into a bucket. Shut off water supply at the shut-off valve.

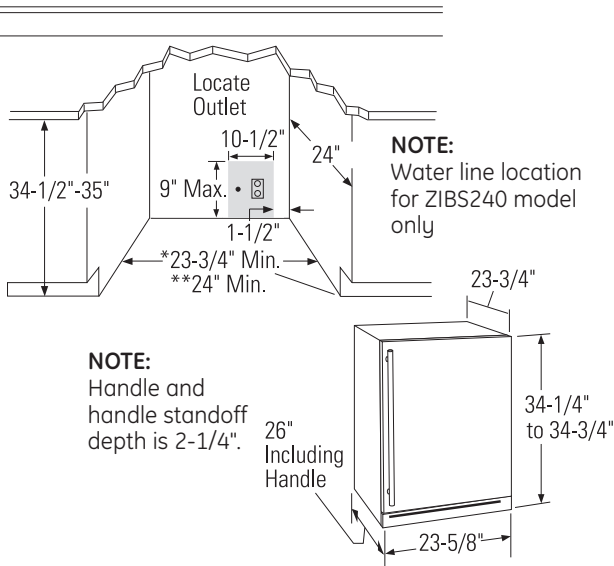
**NOTE:** Saddle type shut-off valves are included in many water supply kits, but are not recommended for this application.

**NOTE:** Commonwealth of Massachusetts Plumbing Codes 248CMR shall be adhered to. Saddle valves are illegal and use is not permitted in Massachusetts. Consult with your licensed plumber.

# Design Guide

For models ZIFS240 and ZIBS240 with Stainless Steel Doors and Handles

## THE INSTALLATION SPACE



**\*For a standard installation:** The product must be installed so that the stainless steel front will project 1-5/8" forward of adjacent cabinets. This position will allow a full door swing and prevent interference with adjacent cabinetry. The opening between cabinets must be 23-3/4" minimum.

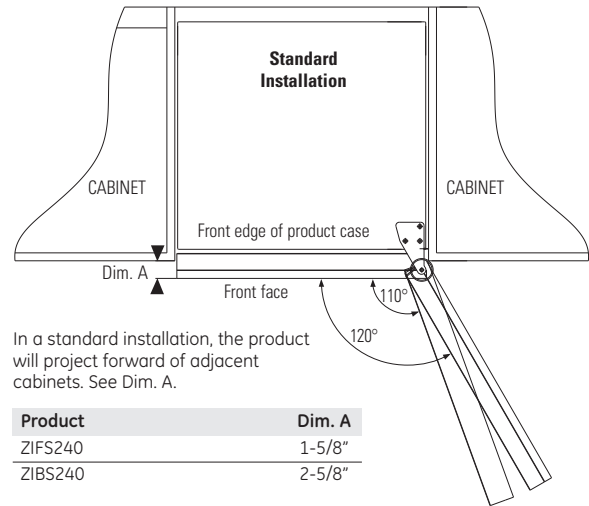
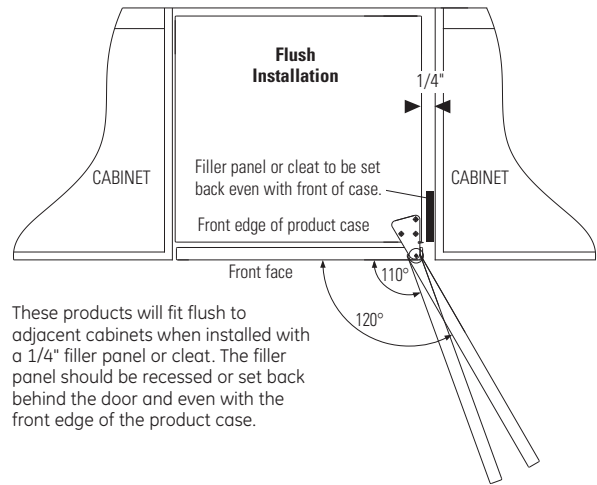
**\*\*For a flush installation:** Install a 1/4"-wide filler strip on the hinge side. The filler strip will act as a spacer between the door case and adjacent cabinets and will prevent interference with the cabinet door swing. Recess the filler strip 1-5/8" back from the front face of the refrigerator, or even with the front edge of the product case (behind the gasket). The width of the opening must be 24" (including the 1/4" filler strip).

- All models may be used freestanding.

### Additional Specifications

- A 120 volt 60Hz., 15 or 20 amp power supply is required. An individual properly grounded branch circuit or circuit breaker is recommended. Install a properly grounded 3-prong electrical receptacle recessed into the back wall as shown. Electrical must be located on rear wall as shown. **NOTE:** GFCI (ground fault circuit interrupter) is not recommended.

## THE INSTALLATION SPACE (cont.)



Product	Dim. A
ZIFS240	1-5/8"
ZIBS240	2-5/8"

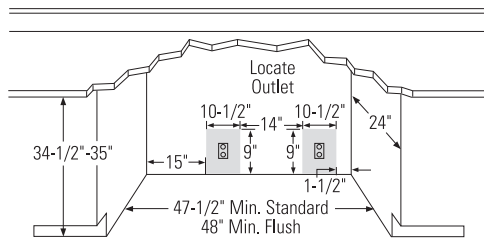
# Design Guide

## For models ZIFS240 and ZIBS240 with Stainless Steel Doors and Handles

### SIDE-BY-SIDE INSTALLATIONS

For a complete refreshment center, install a Fresh-Food Refrigerator beside a Double-Drawer Refrigerator, Beverage Center or Wine Chiller/Wine Reserve. Or, install a Refrigerator with Icemaker beside a Wine Chiller/Wine Reserve.

- A side-by-side installation requires at least a 47-1/2"-wide minimum opening for standard installation and 48"-wide minimum opening for flush installation. No trim kits required.
- Products must operate from separate, properly grounded receptacles.



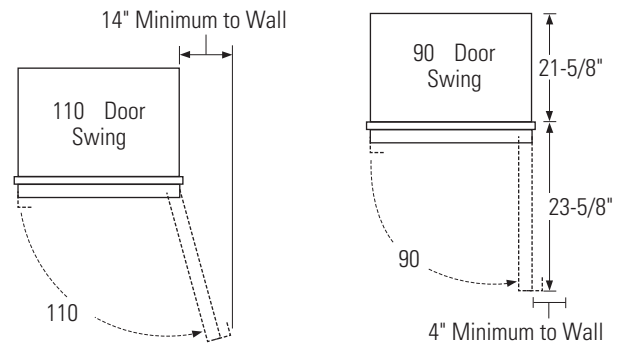
### PRODUCT CLEARANCES

The Fresh-Food Refrigerator or Bar Refrigerator with Icemaker is factory set for a 110° door swing.

#### When installed in a corner:

- Allow 14" minimum clearance on the **hinge side** for a full 110° door swing.
- Allow 4" min. clearance on the **hinge side** for the 90° door swing and to allow racks to slide out.

**NOTE:** Clearances are based on the recommended 2-1/4" handle standoff depth.



**NOTE:** Right-hand models illustrated. Allow the same clearances on the opposite side for left-hand fresh food models ZIF1240 and ZIFS240 only. Models ZIB1240 and ZIBS240 are not available with left-hand door swing.

- Test the door swing. Carefully open and close the door. The door should not rub or catch on adjacent cabinetry.

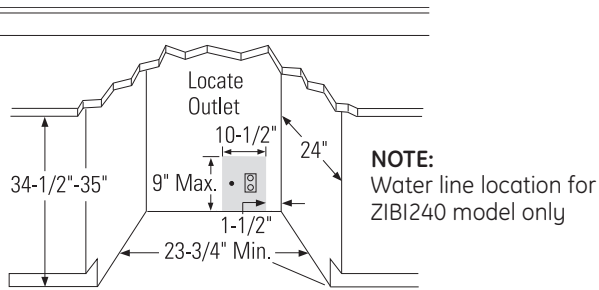
#### Choose the location:

- These products may be closed in on the top and three sides as long as the front is unobstructed for air circulation and proper access to the door.
- Do not install these products where the temperature will go below 55°F (13°C) or above 90°F (32°C).
- These products are not designed to be stacked one over the other.

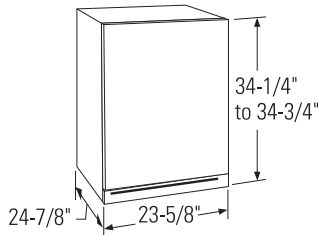
# Design Guide

For models ZIF1240 and ZIB1240 with Custom Door Panels and Handles

## THE INSTALLATION SPACE



**NOTE:** If installing between frameless cabinets, a 1/2" wide filler strip or side panel may be needed on the hinge side. The filler strip will act as a spacer between the door case and adjacent cabinet and will prevent interference with the cabinet door swing. The width of the opening must include the filler panels.



**NOTE:** Water line location for ZIB1240 model only

The product must be installed so that the custom panel front will project 2-3/4" forward of adjacent cabinets. This position will allow a full door swing and prevent interference with adjacent cabinetry. The opening between cabinets must be 23-3/4" minimum. These models can not be installed flush in 24"-deep cabinets.

- All models may be used freestanding.

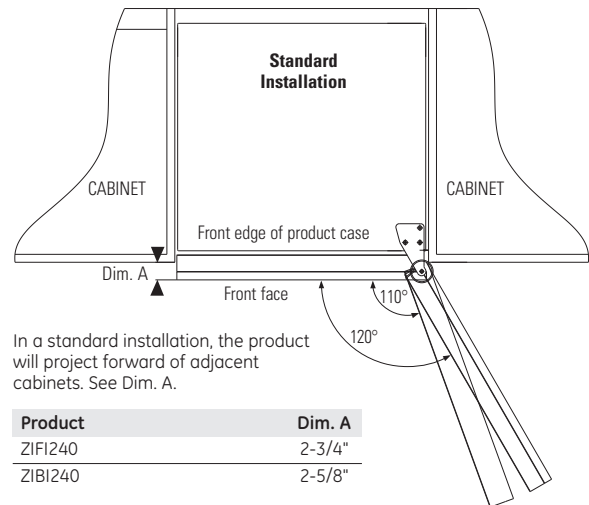
### Additional Specifications

- A 120 volt 60Hz., 15 or 20 amp power supply is required. An individual properly grounded branch circuit or circuit breaker is recommended. Install a properly grounded 3-prong electrical receptacle recessed into the back wall as shown. Electrical must be located on rear wall as shown. **NOTE:** GFCI (ground fault circuit interrupter) is not recommended.

### Black or Stainless Steel Toekick Options

- These products are shipped with a stainless steel toekick and a black toekick. For shipping purposes, one of the toekicks will be secured to the back of the unit, and the second will be installed on the unit. Keep the unused toekick and any unused parts for future use.

## THE INSTALLATION SPACE (cont.)



In a standard installation, the product will project forward of adjacent cabinets. See Dim. A.

Product	Dim. A
ZIF1240	2-3/4"
ZIB1240	2-5/8"

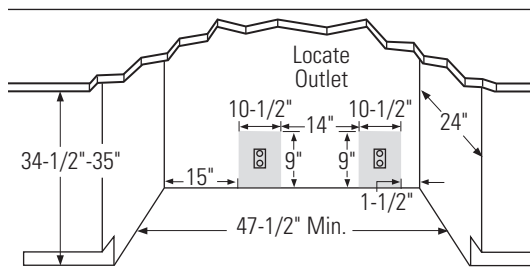
# Design Guide

For models ZIFI240 and ZIBI240 with Custom Door Panels and Handles

## SIDE-BY-SIDE INSTALLATIONS

For a complete refreshment center, install a Fresh-Food Refrigerator beside a Double-Drawer Refrigerator, Beverage Center or Wine Chiller/Wine Reserve. Or, install a Refrigerator with Icemaker beside a Wine Chiller/Wine Reserve.

- A side-by-side installation requires at least a 47-1/2"-wide opening. No trim kits required.
- Products must operate from separate, properly grounded receptacles.



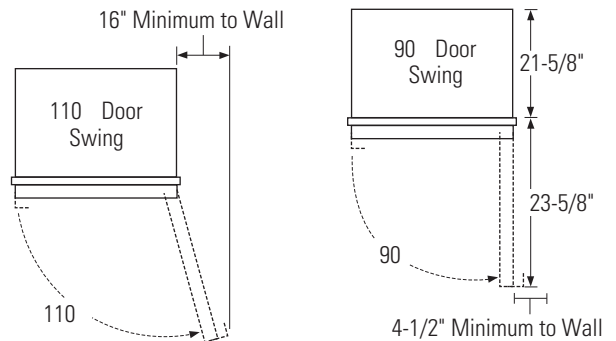
## PRODUCT CLEARANCES

The Fresh-Food Refrigerator or Bar Refrigerator with Icemaker is factory set for a 110° door swing.

### When installed in a corner:

- Allow 16" minimum clearance on the **hinge side** for a full 110° door swing.
- Allow 4-1/2" min. clearance on the **hinge side** for the 90° door swing and to allow racks to slide out.

**NOTE:** Custom handle clearances may vary.



**NOTE:** Right hand models illustrated. Allow the same clearances on the opposite side for left hand fresh food models ZIFI240 and ZIFS240 only. Models ZIBI240 and ZIBS240 are not available with left hand door swing.

- Test the door swing. Carefully open and close the door. The door should not rub or catch on adjacent cabinetry. **NOTE:** When installing custom panel and handle, use above clearances as a general guide but adjust according to the installation.

### Choose the location:

- These products may be closed in on the top and three sides as long as the front is unobstructed for air circulation and proper access to the door.
- Do not install these products where the temperature will go below 55°F (13°C) or above 90°F (32°C).
- These products are not designed to be stacked one over the other.

# Installation Instructions

## STEP 1 REMOVE PACKAGING AND INSTALLATION PARTS

- Remove corner blocks and foam drawer stops.
- Remove all packing material, tape and protective plastic coverings.
- Remove the toekick attached to the back of the unit.
- Remove the custom panel attached to the front of the unit.

**CAUTION:** Small objects are a choke hazard for children. Remove and discard any parts not used.

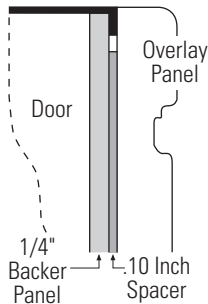
**ATTENTION :** Les petits objets peuvent étrangler les enfants. Il faut jeter toutes les pièces qui ne sont pas utilisées.

## STEP 2 INSTALL CUSTOM 3/4" DOOR PANEL AND HANDLE (ZIF1240 and ZIB1240 models only)

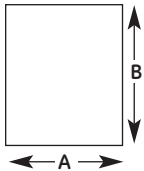
### 3/4" Overlay Panel Dimensions

Model ZIF1240 and ZIB1240 require a field-installed overlay door panel.

- The overlay panel must be secured to a 1/4" thick backer panel that slides into the trim. A .10" thick spacer panel must be placed between the overlay and backer panel.
- A custom handle of your choice, supplied by your cabinetmaker, must be installed on this overlay panel. Countersink all screws into the backer panel. Screws cannot protrude from the backer panel.



**IMPORTANT NOTE:** Maximum total weight for custom door panel is 25 pounds.

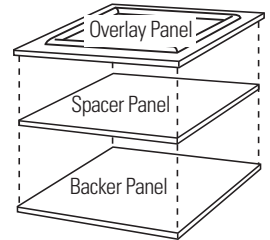


3/4" Overlay Panel Dimensions (in inches)		
	A (Width)	B (Height)
1/4" Backer	23-3/16"	29-9/16"
0.10" Spacer	22-1/2"	29-1/16"
3/4" Overlay	23-5/8"	30"

## STEP 2 INSTALL CUSTOM 3/4" DOOR PANEL AND HANDLE (CONT.) (ZIF1240 and ZIB1240 models only)

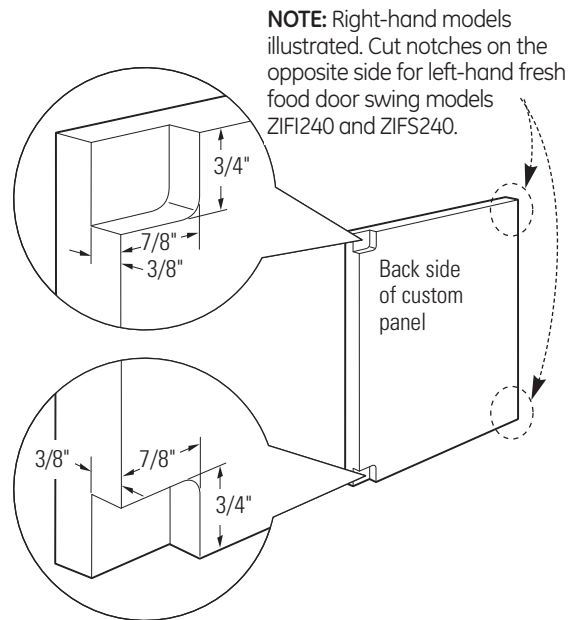
### Assemble overlay panels with glue and screws.

- Center spacer panel on the backer panel, left to right and top to bottom. Secure the panels with glue.
- Center the spacer/backer panel on the overlay panel. Secure with glue and screws. Countersink all screws into the backer panel.



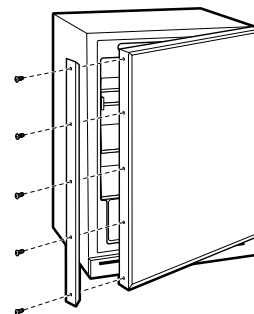
### Custom Panel Hinge Routing Dimensions

Use a 3/4" router bit to cut a notch into the back side of the assembled panel 3/8" toward the front of the overlay panel, 3/4" deep and 7/8" wide.



### Install custom door panel and handle:

- Open door to 90°.
- Remove 5 screws holding trim; lift off trim. Retain screws.



**NOTE:** Right-hand models illustrated. Follow the same instructions on the opposite side for left-hand fresh food door swing models ZIF1240 and ZIFS240.

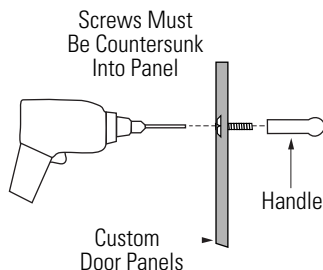


# Installation Instructions

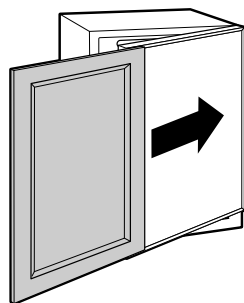
## STEP 2 INSTALL CUSTOM 3/4" DOOR PANEL AND HANDLE (CONT.) (ZIFI240 and ZIBI240 models only)

### Install custom door panel and handle (cont.):

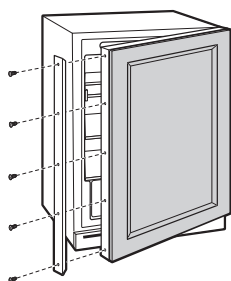
- A custom handle of your choice, supplied by your cabinetmaker, must be installed onto the overlay panel before the panels are slid into the trim. Countersink all screws into the backer panel. Screws cannot protrude from the backer panel.



- Slide overlay panel into the door trim.



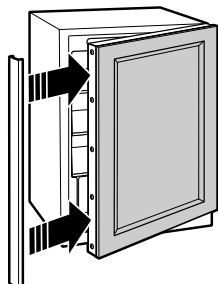
- Reinstall the side trim using the trim screws removed earlier.



- Place the brushed decorative cover over the side trim to hide the screw heads. Ensure side trim is aligned top to bottom and front to back. Snap into place.

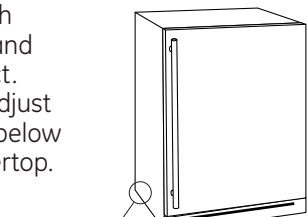
### NOTE:

For shipping purposes, the brushed decorative cover will be secured to the front of the unit.



## STEP 3 LEVEL

- Use an adjustable wrench to turn the leveling legs and raise or lower the product. For built-in installation, adjust the leveling legs slightly below the bottom of the countertop.

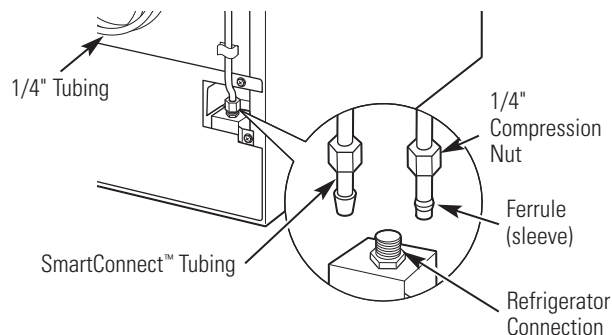


Turn Right to Lower  
Turn Left to Raise

### INSTALLATION TIP:

Measure floor to underside of countertop inside the opening. If the room floor is higher than the opening floor, adjust the rear leveling legs approximately 1/8" less than the opening height. Screw front legs all the way in to shorten the height at the front. This will allow you to slightly tip the unit into the opening. Once in the correct position, the front legs can be adjusted to level the product.

## STEP 4 CONNECT WATER SUPPLY (ZIBI240 and ZIBS240 models only)



- Locate and bring the water line tubing to the rear of the cabinet.
- Turn the water on to flush debris from the line. Run about a quart of water through the tubing into a bucket, then shut off the water.

### Copper Tubing:

- Slip a 1/4" nut and ferrule over both ends of the copper tubing. Insert the tube into the refrigerator connection on the unit and tighten the nut.
- Turn on the water to check for leaks.

### GE SmartConnect™ Tubing:

- Insert the molded end of the tubing into the refrigerator connection. Tighten the compression nut until it is just hand tight.
- Tighten one additional turn with a wrench. Overtightening can cause leaks!
- Turn on the water to check for leaks.

**NOTE:** Coil excess tubing length behind the unit.

# Installation Instructions

## STEP 5 CONNECT POWER

- Connect power cord plug to a properly grounded receptacle.
- Check to make sure power is on by opening the door to see if interior light turns on.
- Bar Refrigerator with Icemaker – The interior fan runs all the time except during defrost cycle when the door is open.
- Fresh-Food Refrigerator – The interior fan runs all the time except when the door is open.

See the Owner's Manual for further explanation of the fan.

## STEP 7 SET TEMPERATURE CONTROLS

- The temperature controls are preset. Refer to the Owner's Manual for more information. Allow 12–24 hours for the temperature to stabilize.

**NOTE:** The Fresh-Food Refrigerator or Bar Refrigerator with Icemaker operate very quietly. You may not notice the unit running, and when first installed, the fans and motor may not come on immediately – this is normal. If the display is lit and the light is working, the unit is operating.

## STEP 6 SLIDE PRODUCT INTO THE CUTOUT

**⚠ CAUTION:** Do not push against the door panel with your knees. Do not push or lift the unit by the door handle. Damage may occur!

**⚠ ATTENTION :** Ne poussez jamais le panneau de la porte avec vos genoux. Ne poussez jamais votre appareil ou ne le soulevez jamais par la poignée de porte. Vous pouvez l'endommager.

- Open the door and gently push the unit back into the opening with your hands against the sides. Be careful not to entangle power cord.
- In a standard 24" opening, the front face of the stainless steel door will be flush with adjacent cabinetry. A custom panel door may protrude 1-3/4" beyond the surrounding cabinets.
- Check again to be sure the unit is level.
- If the unit is installed under a countertop, adjust the leveling legs until the unit is resting firmly against the underside of the countertop.
- If alignment with adjacent cabinetry is an issue, use a shim to secure the unit against the underside of the countertop.

# Notes

---

**NOTE:** While performing installations described in this book, safety glasses or goggles should be worn.

*For Monogram® local service in your area, call 1.800.444.1845.*

**NOTE:** Product improvement is a continuing endeavor at General Electric. Therefore, materials, appearance and specifications are subject to change without notice.

Pub. No. 31-51544-6
Part No. 197D5893P002

09-09 JR

Printed in Slovenia



**GE Consumer & Industrial**  
Appliances  
General Electric Company  
Louisville, KY 40225  
[GEAppliances.com](http://GEAppliances.com)