

Installation Instructions

3/4" Custom Dishwasher

Door Panel Kit GPF575 Series



BEFORE YOU BEGIN

Read these instructions completely and carefully.

IMPORTANT – Save these instructions for local inspector's use.

IMPORTANT – Observe all governing codes and ordinances.

Note to Installer – Be sure to leave these instructions with the Consumer.

Note to Consumer – Keep these instructions with your Owner's Manual for future reference.



WARNING:

To prevent electric shock, disconnect electrical power supply to dishwasher before changing panels. Do not operate dishwasher while changing panels or when toekick assembly is removed.

TOOLS AND MATERIALS REQUIRED:

- 1/4" socket driver
- Phillips screwdriver
- Electric drill
- 1/8" and 3/16" drill bits
- Carpenters square
- Safety Glasses

The custom panels should be constructed in the same manner as cabinet doors. Cut edges can be seen and must be finished for the best appearance.

The GPF575 Trim Kit provides for the installation of 3/4" thick custom door and toekick.

KIT INCLUDES:

- Door panel support
- 7, 5/8" phillips flat head screws
- 3 round head screws
- Part Number 165D4051G009 Spring Kit



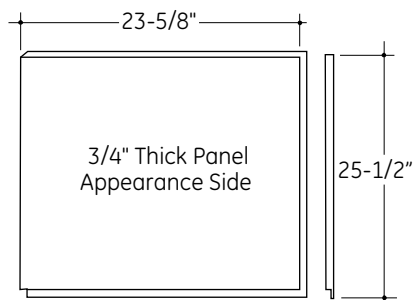
Step 1 CUT 3/4" THICK CUSTOM PANELS TO SIZE



CAUTION:

Verify door panel height before cutting the custom panel.
Measure from the bottom of the escutcheon to the bottom of the door.

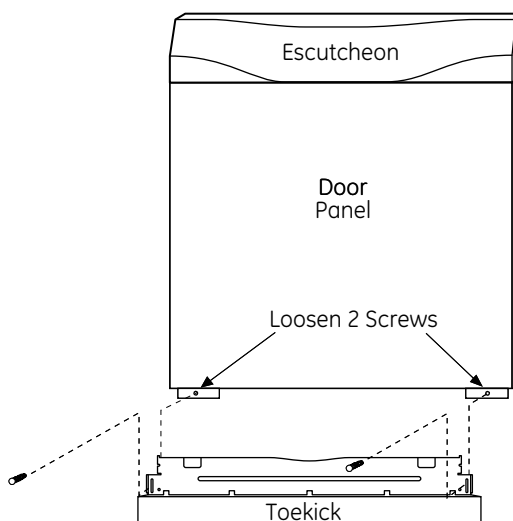
- Cut the 3/4" thick door panel to the dimensions shown.
(25-1/2"H x 23-5/8"W.)



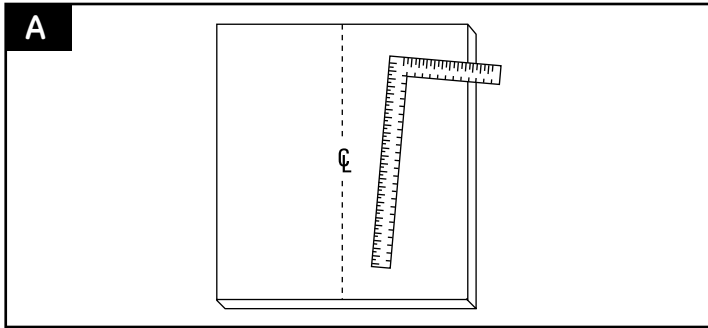
Step 2 REMOVE TOEKICK

- Remove the two screws from the toekick. Retain screws.
- Remove toekick from the dishwasher. Set aside.

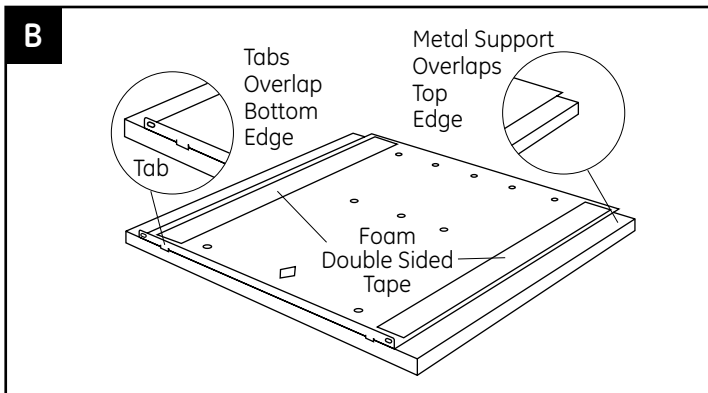
NOTE: Do not remove the insulation behind toekick.



Step 3 MOUNT CUSTOM PANEL TO METAL SUPPORT PANEL

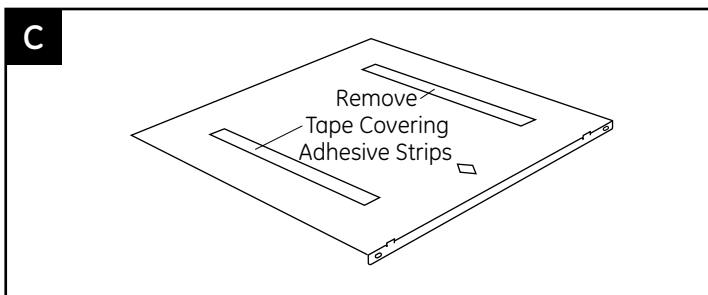


- Lay the custom panel on a flat surface with appearance side down.
- Measure and mark the center line. Use a carpenter's square to draw the center line.

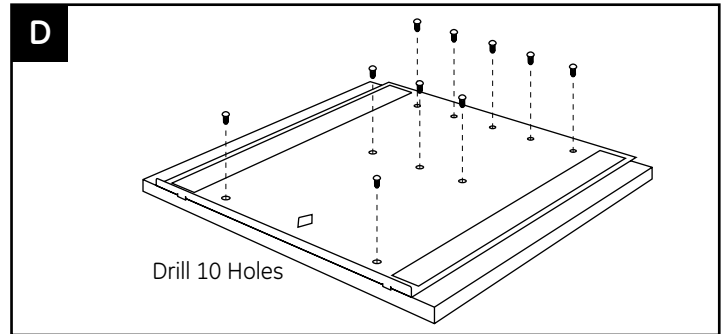


- Place the metal door panel support on the custom panel, with the projecting tabs overlapping and against the bottom edge. Center the support panel by matching the center line to the diamond cutout.

NOTE: Do not remove tape from adhesive strips.



- Remove the custom panel from the support.
- Remove tape from adhesive strips on the metal support – on the side that touches the custom panel.
- Carefully, position the metal support onto the custom panel with center line showing through the diamond. Press the metal support against the panel.

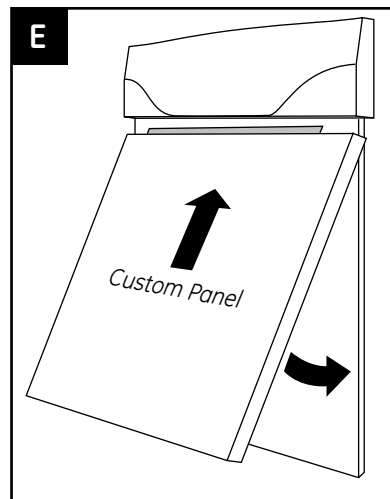


- Drill 1/8" dia. pilot holes, 5/8" deep through support holes.
- Install 10 flathead screws through the support and into the panel.

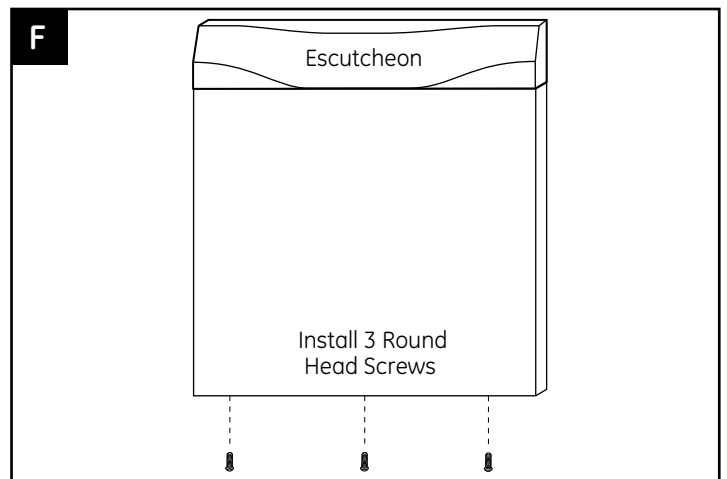


CAUTION:

Do not drill pilot holes too deeply to avoid damaging the appearance side of the panel.



- Remove tape from adhesive strips on the back side of the metal support.
- Carefully, mount the panel onto the dishwasher by tipping the protruding metal at the top under and up against the escutcheon.



- Secure the panel to the door by installing 3 round head screws into the bottom of the metal support and into the dishwasher door. Install center screw first, then left and right screws.
- Press the custom panel against the dishwasher door.

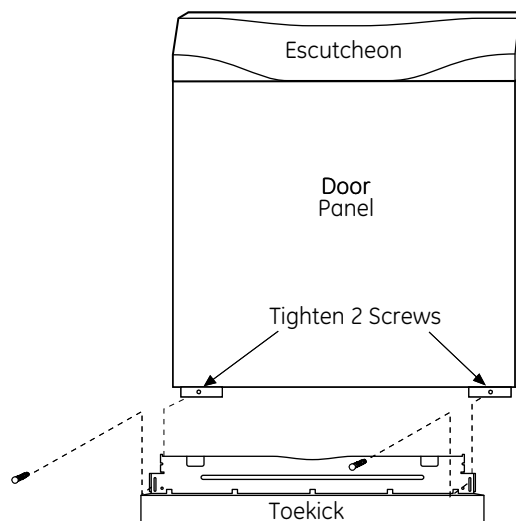
STEP 4 INSTALL SPRING KIT

This kit must be installed to achieve proper door balance which is affected by the addition of a heavy custom door panel.

- Follow the instructions provided with Part Number 165D4051G009 Spring Kit.

STEP 5 INSTALL TOEKICK

- Place the toekick against the bottom of the dishwasher.
- Re-install two original screws.
- Adjust the toekick, tighten screws.



SPECIFICATIONS SUBJECT TO CHANGE WITHOUT NOTICE

GE Consumer & Industrial
General Electric Company
Louisville, Kentucky 40225

ge.com

© 2005 General Electric Company
Pub. No. 31-30592
Dwg. No. 206C1559P136
ND 05C-1278 (5/05)