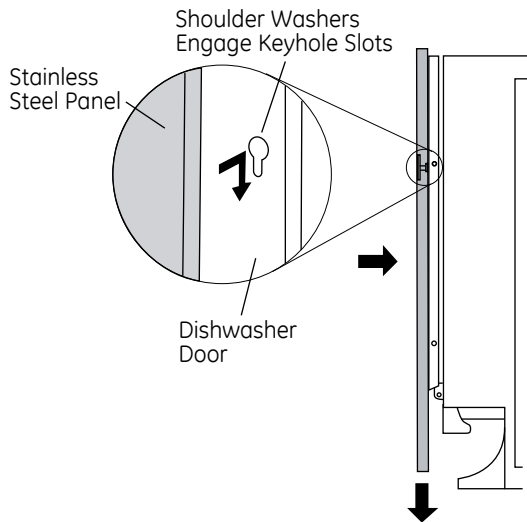


Installation Instructions

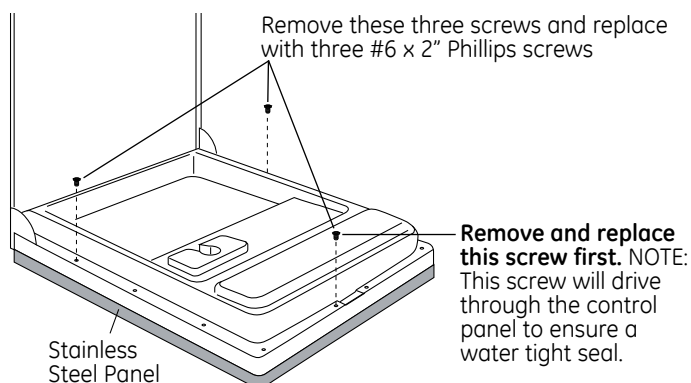
ZPRO0700S Professional Style Stainless Steel Door Panel Kit For ZBD6900 and ZBD8900

- 1 Lay the dishwasher on its back.
- 2 Install the heavy duty door springs. The dishwasher is shipped from the factory with a temporary set of balance springs. The heavy duty springs provided **must be used to balance the installed stainless steel panel** on the dishwasher.
 - With the dishwasher on the wooden skid, close and latch the door.
 - Remove and discard both factory installed door springs.
 - Attach the new heavy duty door springs. Engage the end with the short hook into the support leg and the long hook into the cable.
- 3 Stand the dishwasher upright.
- 4 Secure the panel to the door by inserting the shoulder washers into the matching keyhole slots. Make sure all 6 washers engage the keyhole slots.

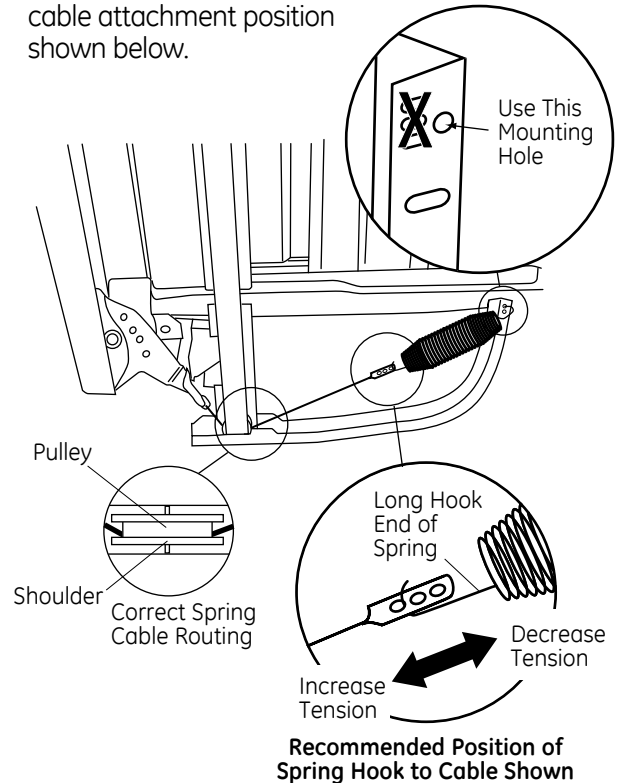


- 5 Press the panel against the door and push downward until the washers are fully engaged into the keyhole slots. The panel should align evenly with the top and sides.
- 6 Open dishwasher door and remove the three inner door screws as shown. Starting at the top, replace them with three #6 x 2" Phillips screws through the inner door and into the panel sides.

Replace the remaining seven inner door screws with the #8 x 5/8" Phillips truss head stainless steel screws that came with the dishwasher. This will allow all screws to have similar appearance.



- 7 Open and close the door.
 - If the door drops open when released, increase spring tension. If the door closes when released, decrease tension. See the recommended cable attachment position shown below.



TIP: If the door does not open easily or falls too quickly, check spring cable routing. The cable is held in place by "shoulders" on the pulley. Check to be sure the cable has not slipped over the pulley shoulders.

IMPORTANT: Adjust both balance springs to the same amount of tension to prevent excessive door twisting during use.