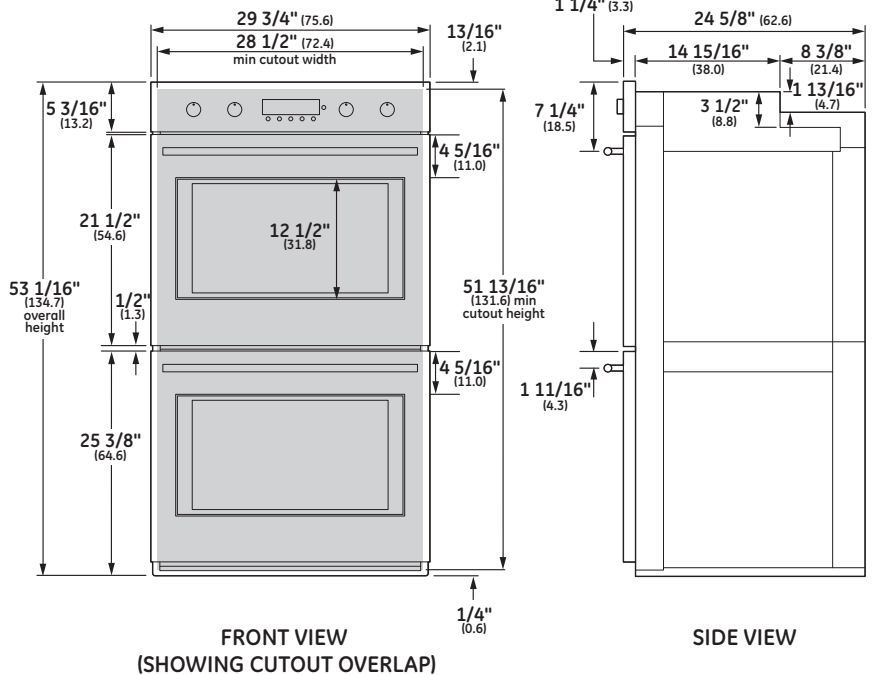




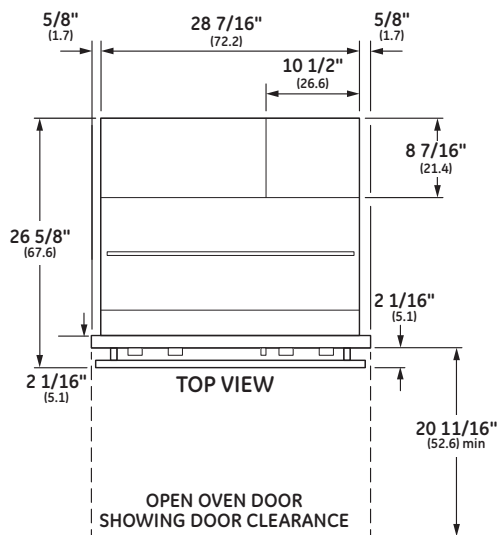
OVERALL DIMENSIONS



SPECIFICATIONS

Overall Width	29 3/4" (75.6)
Overall Height	53 1/16" (134.7cm)
Overall Depth Including Handle	26 5/8" (67.6 cm)
Oven Door Clearance	20 11/16" (52.6 cm)
Overall Oven Interior Capacity	10.0 cu. ft. (283.2 liters)
Oven Interior Dimensions (W x H x D) each oven	25" x 17 3/8" x 20 1/4" (63.5 x 44.1 x 51.4 cm)
Minimum Cabinet Width*	30" (76.2 cm)
Minimum Cabinet Depth*	24" (61.0 cm)
Minimum Base Support	375 lbs. (170 kg)
Cutout Width*	28 1/2" (72.4 cm) Min 28 5/8" (72.7 cm) Max
Cutout Height*	51 13/16" (131.6 cm) Min 51 15/16" (131.9 cm) Max
Cutout Depth*	23 1/2" (59.7 cm) Min
Volts/Hertz/Amps	240/208 V AC, 60 Hz, 40A
Conduit Length	40" (72" available special order: WB18T10398)
Electrical Rating	6.8 kW at 208V 9.0 kW at 240V
Shipping Weight	390 lbs. (178 kg)

\* Additional space will be needed for flush installation.



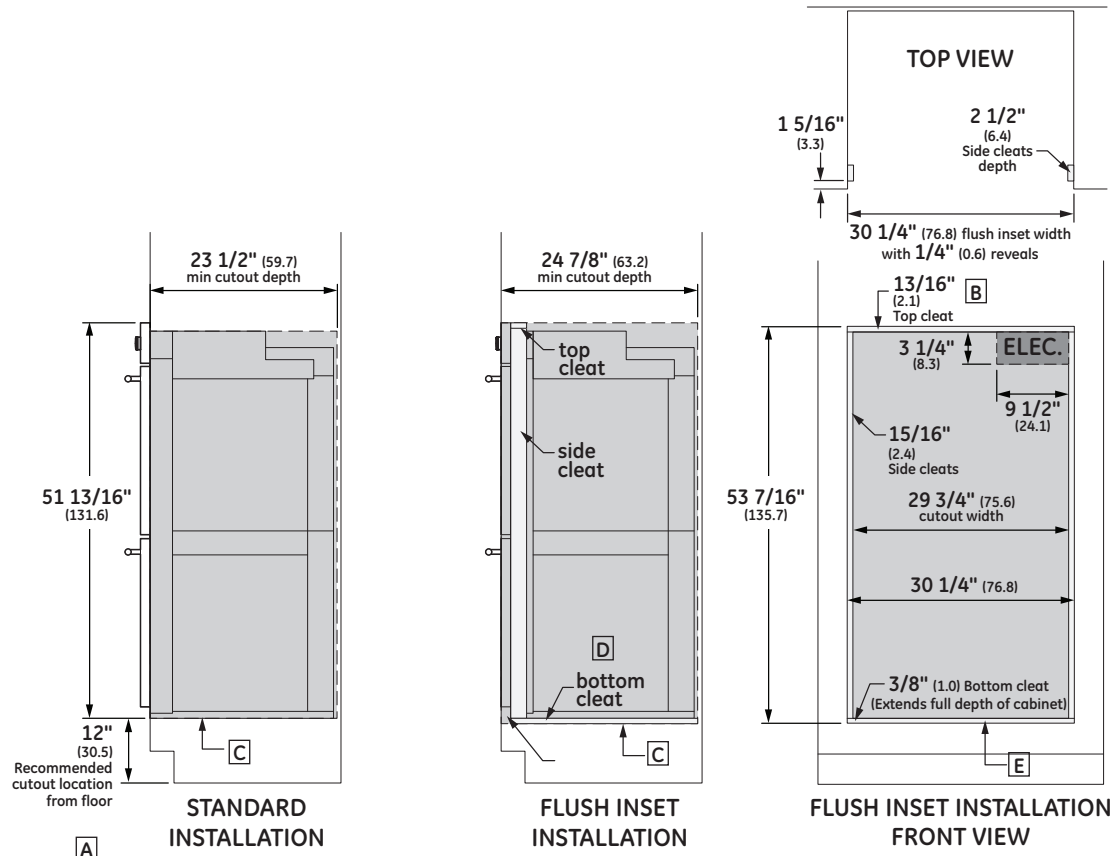
Dimensions in parentheses are in centimeters unless otherwise noted. Actual product dimensions may vary due to manufacturing tolerances.

ATTENTION ELECTRICIAN:

A 240/208V, 60Hz, 40 Amp circuit is required. An individual properly grounded branch circuit or circuit breaker is required. Hardware junction box is required for built-in product.



WALL INSTALLATION

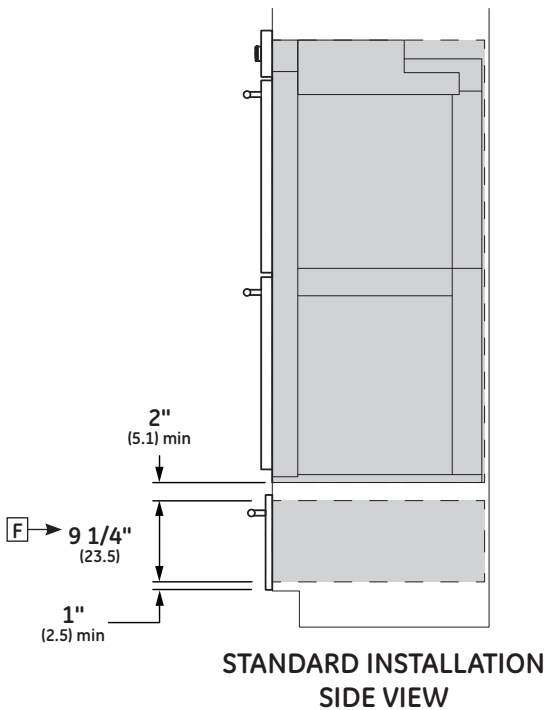


Allow 1/4" (0.64) clearances from side edges of oven door.

NOTES

- A** Based on a user height of 5' 6" to 5' 10"
- B** Junction box location (May also be located in adjacent cabinet.)
- C** Platform must be able to support 375 lbs (169 kg)
- D** Cabinet surfaces must be an appearance finished surface for flush installation.
- E** Cleats may be visible and should be finished to match cabinetry.
- F** Dimension per Warming Drawer requirement

INSTALLATION OVER WARMING DRAWER



For more details, refer to the installation instructions for this product on Monogram.com. Dimensions in parentheses are in centimeters unless otherwise noted.

## FEATURES AND BENEFITS

**True European Convection with Direct Air** - Channels heated air from the top of the oven and circulates it around food on all sides for perfectly uniform baking and roasting

**10.0 Cu. Ft. Oven Capacity (5.0 each oven)** - Accommodates even the largest meals

**Ten-Pass Bake Element** - Covers more surface area for more even baking results

**All-Glass Interior Door Panel** - Offers a visually striking look that's easy to clean

**Theatre-Style LED Oven Lighting** - Located on both sides of the oven to enhance visibility and provide a clear view of food, regardless of rack position

**Stainless steel back-lit digital control knobs** - Rotate with smooth precision. An indicator light in each knob makes it easy to view and select heat settings

**Notification Lighting** - Allows you to check cooking status with a quick glance

**Self-Cleaning, Full-Extension Oven Racks (each oven)** - Glide in and out smoothly on stainless steel ball bearings, and are designed to be left in the oven during the self-clean cycle

**Self-Clean with Steam Clean Option** - Gives you flexible options for thorough oven cleaning

**Ten-Pass, Dual Broil Element** - Evenly browns dishes of all types and sizes

**WiFi Connect** - Allows you to control oven functions from anywhere inside or even outside your home, using your smartphone or other web-enabled mobile device

**Black Interior** - Offers a stylish complement to the sophisticated exterior design



70 to 90% U.S. content. Product content details at [GEAppliances.com/USA](http://GEAppliances.com/USA)

