



RANGE HOODS

SAFETY INFORMATION 3

USING THE HOOD

Controls 5

Chef Connect 6

CARE AND CLEANING

Filters 7

Surfaces 8

Lights 8

INSTALLATION INSTRUCTIONS .. 9

TROUBLESHOOTING TIPS..... 20

WARRANTY..... 21

ACCESSORIES 22

CONSUMER SUPPORT 24

OWNER'S MANUAL & INSTALLATION INSTRUCTIONS

- JVX3240
- JVX3300
- JVX5300
- JVX5360
- JVX5305
- JVX5365
- PVX7300
- PVX7360



Write the model and serial numbers here:

Model # _____

Serial # _____

You can find them on a label on the inside of the hood.

ESPAÑOL

Para consultar una version en español de este manual de instrucciones, visite nuestro sitio de internet GEAppliances.com.

991.0480.237

THANK YOU FOR MAKING GE APPLIANCES A PART OF YOUR HOME.

Whether you grew up with GE Appliances, or this is your first, we're happy to have you in the family.

We take pride in the craftsmanship, innovation and design that goes into every GE Appliances product, and we think you will too. Among other things, registration of your appliance ensures that we can deliver important product information and warranty details when you need them.

Register your GE appliance now online. Helpful websites and phone numbers are available in the Consumer Support section of this Owner's Manual. You may also mail in the pre-printed registration card included in the packing material.



IMPORTANT SAFETY INFORMATION

READ ALL INSTRUCTIONS BEFORE USING

⚠ WARNING TO REDUCE THE RISK OF FIRE, ELECTRIC SHOCK OR INJURY TO PERSONS, OBSERVE THE FOLLOWING:

- A. Use this unit only in the manner intended by the manufacturer. If you have questions, contact the manufacturer.
- B. Before servicing or cleaning unit, switch power off at service panel and lock the service disconnecting means to prevent power from being switched on accidentally. When the service disconnecting means cannot be locked, securely fasten a prominent warning device, such as a tag, to the service panel.
- C. Do not use this unit with any solid-state speed control device.
- D. This unit must be grounded.

⚠ WARNING TO REDUCE THE RISK OF A RANGE TOP GREASE FIRE:

- A. Never leave surface units unattended at high settings. Boilovers cause smoking and greasy spillovers that may ignite. Heat oils slowly on medium settings.
- B. Always turn hood ON when cooking at high heat or when flambéing food (i.e. Crepes Suzette, Cherries Jubilee, Peppercorn Beef Flanbé).
- C. Clean ventilating fans frequently. Grease should not be allowed to accumulate on fan or filter.
- D. Use proper pan size. Always use cookware appropriate for the size of the surface element.

⚠ WARNING TO REDUCE THE RISK OF INJURY TO PERSONS IN THE EVENT OF A RANGE TOP GREASE FIRE, OBSERVE THE FOLLOWING*:

- A. SMOTHER FLAMES with a close-fitting lid, cookie sheet or metal tray, then turn off the burner. BE CAREFUL TO PREVENT BURNS. If the flames do not go out immediately, EVACUATE AND CALL THE FIRE DEPARTMENT.
- B. NEVER PICK UP A FLAMING PAN—You may be burned.
- C. DO NOT USE WATER, including wet dishcloths or towels—a violent steam explosion will result.
- D. Use an extinguisher ONLY if:
 1. You know you have a Class ABC extinguisher, and you already know how to operate it.
 2. The fire is small and contained in the area where it started.
 3. The fire department is being called.
 4. You can fight the fire with your back to an exit.

*Based on "[Kitchen Fire Safety](#)" published by NFPA.

⚠ CAUTION FOR GENERAL VENTILATING USE ONLY. DO NOT USE TO EXHAUST HAZARDOUS OR EXPLOSIVE MATERIALS AND VAPORS.

READ AND SAVE THESE INSTRUCTIONS

IMPORTANT SAFETY INFORMATION READ ALL INSTRUCTIONS BEFORE USING

REMOTE ENABLE EQUIPMENT (on some models)

This device complies with part 15 of the FCC Rules. Operation is subject to the following two conditions: (1) This device may not cause harmful interference, and (2) this device must accept any interference received, including interference that may cause undesired operation.

The wireless communication equipment installed on this hood has been tested and found to comply with the limits for a Class B digital device, pursuant to part 15 of the FCC Rules. These limits are designed to:

(a) provide reasonable protection against harmful interference in a residential installation. This equipment generates, uses, and can radiate radio frequency energy and, if not installed and used in accordance with the instructions, may cause harmful interference to radio communications. However, there is no guarantee that interference will not occur in a particular installation. If this equipment does cause harmful interference to radio or television reception, which can be determined by turning the equipment off and on, the user is encouraged to try to correct the interference by one or more of the following measures:

- Reorient or relocate the receiving antenna.
- Increase the separation between the equipment and receiver.
- Connect the equipment into an outlet on a circuit different from that to which the receiver is connected.
- Consult the dealer or an experienced radio/TV technician for help.

(b) accept any interference received, including interference that may cause undesired operation of the device.

Note that any changes or modifications to the wireless communication device installed on this oven that are not expressly approved by the manufacturer could void the user's authority to operate the equipment.

How to Remove Protective Shipping Film and Packaging Tape

Carefully grasp a corner of the protective shipping film with your fingers and slowly peel it from the appliance surface. Do not use any sharp items to remove the film. Remove all of the film before using the appliance for the first time.

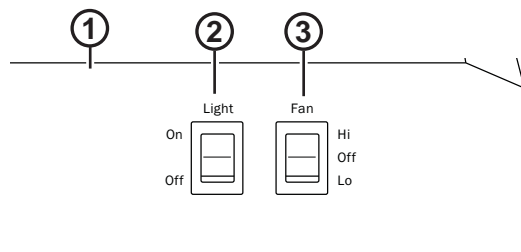
To assure no damage is done to the finish of the product, the safest way to remove the adhesive from packaging tape on new appliances is an application of a household liquid dishwashing detergent. Apply with a soft cloth and allow to soak.

NOTE: The adhesive must be removed from all parts.

READ AND SAVE THESE INSTRUCTIONS

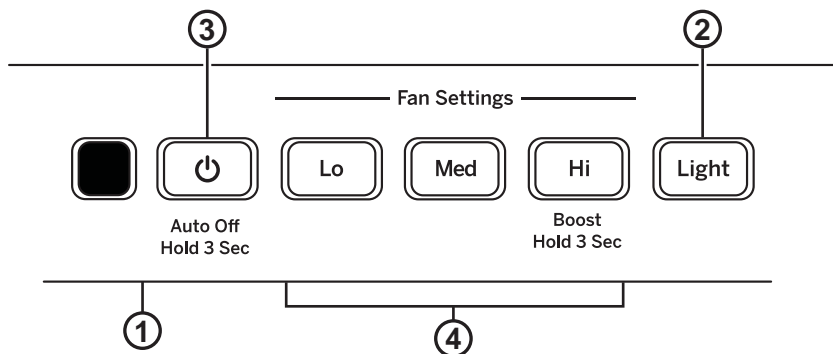
Controls

On Some Models



1. **Rangehood Control Panel:** The control panel is located on the front of the canopy.
2. **Light Switch:** Light switch toggles between On and Off.
3. **Fan Power Switch:** The power switch toggles between fan settings Hi, Lo, and Off.

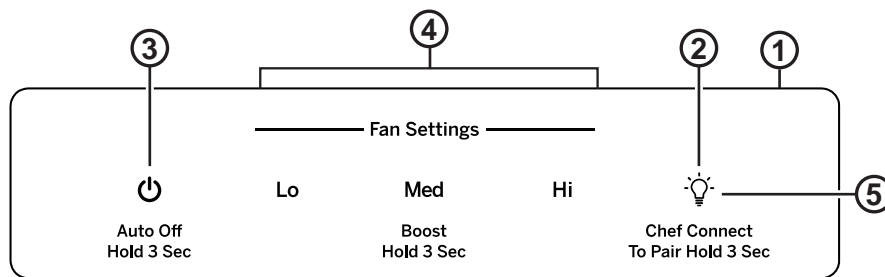
On Some Models



1. **Rangehood Control Panel:** The control panel is located on the front of the canopy.
2. **Light Button:** On/Night/Off switch for the lights. Press the **LIGHT** button to turn the lights on, again to set the lights to night setting, and again to turn off.
3. **Fan Off Button:** Off switch for the fan. The fan can be operated by pressing any of the fan setting buttons. Hold for 3 seconds to activate auto off after 15 minutes.
4. **Fan Settings Buttons:** Speed control for fan. Press the button **Lo** for LOW speed, **Med** for MEDIUM speed and **Hi** for HIGH speed. Hold down the **Hi** button for 3 seconds to activate the **BOOST SPEED** that will run for 10 minutes.

Controls

On Some Models



- 1. Rangehood Control Panel:** The glass touch control panel is located on the front of the canopy.
- 2. Light Pad:** On/Night/Off switch for the lights. Press the **LIGHT** pad to turn the lights on, again to set the lights to night setting, and again to turn off.
- 3. Auto Off Pad:** Off switch for the fan. The fan can be operated by pressing any of the fan setting pads. Hold for 3 seconds to activate auto off after 15 minutes.
- 4. Fan Settings Pads:** Speed control for fan. Press the pad **Lo** for LOW speed, **Med** for MEDIUM speed and **Hi** for HIGH speed. Hold down the **Hi** button for 3 seconds to activate the BOOST SPEED that will run for 10 minutes.
- 5. Chef Connect:** This is a Bluetooth® pairing feature for use with other compatible Chef Connect enabled products on a cooktop or a range. When the device is paired, the light and fan will turn ON at the Default Sync Settings upon receiving a command from the range or cooktop. It will remain ON at that setting until the user changes it.

Chef Connect

Chef Connect Operation Bluetooth® Connection

To pair with another device:

To start the pairing process on the hood, press and hold the **Light** pad for 3 seconds. The backlight for the Lo – Med – Hi – Light will flash in that sequence until the hood is paired with the range or other device. If the pairing is successful, all 4 lights (Lo, Med, Hi, and Light) will flash three times simultaneously and then turn off.

It will time out after 2 minutes if pairing is not completed. After which the pairing sequence will need to be restarted.

To cancel pairing:

To cancel the pairing hold the **Light** pad for 3 seconds and then turn off the hood.

Default Sync Settings:

The factory default setting for the light will be the brightest.

The factory default setting for the fan sync will be OFF.

The user can change the Default Sync Settings by pressing and holding the **Lo** pad for 3 seconds. This will enter the Default Settings Mode. Once in this mode, the backlights for all buttons (Lo, Med, Hi, and Light) will blink On/Off indefinitely and the fan and light will switch to the current Default Sync Setting, so the user knows what the current default value is. At this time, set the light and fan to the desired default levels. Once the user is satisfied with the selection, press and hold the **Off** pad for 3 seconds. This will exit this mode. At that time the backlights will stop blinking and the state of the fan and light will change back to their prior state before entering the Default Settings Mode.

Filters

Be sure the circuit breaker is off and all surfaces are cool before cleaning or servicing any part of the vent hood.

Metal Grease Filter

The metal filters trap grease during cooking.

The filter must ALWAYS be in place when the hood is in use. The grease filter is dishwasher-safe and should be cleaned every 6 months, or as needed.

To remove:

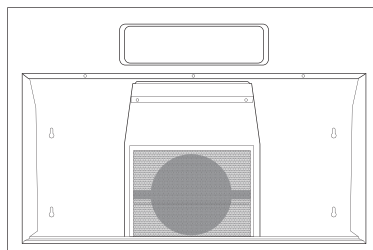
Pull downward on the filter lock to release the filter.

To replace:

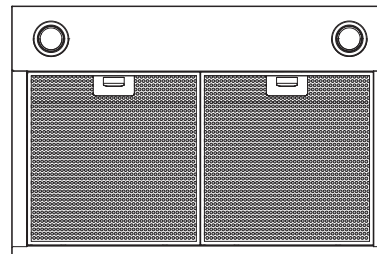
Fit the tabs at the bottom of the filter into the slots in the back of the filter opening. Lift up the front side of the filter and push gently until the filter locks into place. Make sure the filter lock is in the closed position to secure the filter.

To clean, swish the filter in hot soapy water and rinse in clean water or wash it in the dishwasher. Do not use abrasive cleansers.

NOTE: Some discoloration may occur in the dishwasher.



NOTE: For this configuration one grease filter is only used in the vented mode.



Charcoal Filter (for recirculation installation only)

If the model is not vented to the outside, the air needs to be recirculated through a disposable charcoal filter that helps remove smoke and odors.

NOTE: DO NOT rinse, or put charcoal filter in an automatic dishwasher.

The charcoal filter cannot be cleaned. It must be replaced. It is recommended that the charcoal filter be replaced every 6-12 months or if it is noticeably dirty or discolored.

To inquire about purchasing replacement charcoal filters or to find the location of a dealer nearest you, please call our toll-free number:

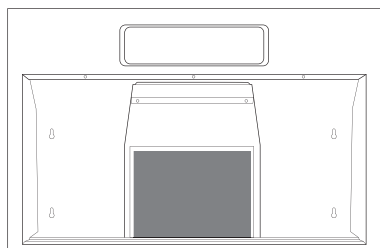
National Parts Center 800.626.2002

To install (on some models):

1. Remove the metal filters—see Metal Grease Filter section.
2. Place the side of the charcoal filter with the tabs against the bottom of the blower.
3. Drive screws in the 2 locations shown in the picture.
4. Replace the metal filters—see Metal Grease Filter section.

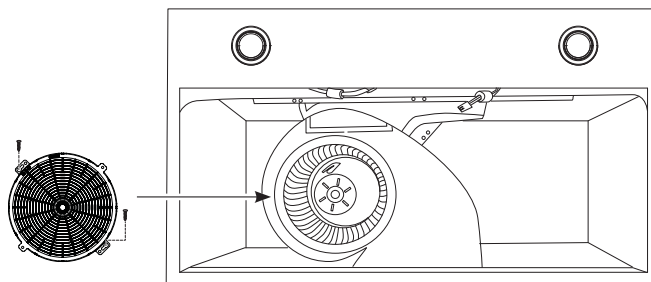
To remove:

1. Remove the metal filters—see Metal Grease Filter section.
2. Remove the 2 screws holding the charcoal filter in place to remove.



Charcoal filter included on this model.

NOTE: For this configuration charcoal filter is installed in place of grease filter.



Charcoal filter not included on this model. Call National Parts Center 800.626.2002 to order.

Surfaces

Stainless Steel Surfaces (on some models)

Do not use a steel wool pad; it will scratch the surface.

To clean the stainless steel surface, use warm sudsy water or a stainless steel cleaner or polish. Always wipe the surface in the direction of the brush line. Follow the cleaner instructions for cleaning the stainless steel surface. Cleaners with oxalic acid such as **Bar Keepers Friend Soft Cleanser™** will remove surface rust, tarnish, and small blemishes. To receive a \$2.00 coupon for a trial sample of **Bar Keepers Friend Soft Cleanser™** follow the link below or scan the QR Code.



www.barkeepersfriend.com/ge

Use only a liquid cleanser free of grit and rub in the direction of the brush lines with a damp soft sponge.

To inquire about purchasing stainless steel appliance cleaner or polish, or to find the location of a dealer nearest you, please call our toll-free number:

National Parts Center
800.626.2002

GEApplianceParts.com

Painted Surfaces (on some models)

Do not use a steel wool pads or other abrasive cleaners; they will scratch the surface.

Clean grease-laden surfaces of the hood frequently. To clean the hood surface, use a hot, damp cloth with a mild detergent suitable for painted surfaces. About one tablespoon of ammonia may be added to the water. Use a clean, hot, damp cloth to remove soap. Dry with a dry, clean cloth.

NOTE: When cleaning, take care not to come in contact with filters and other surfaces.

CAUTION

When cleaning the hood surfaces, be certain that you do not touch the light with moist hands or cloth. A warm or hot light may break if touched with a moist surface. Always let the light cool completely before cleaning around it.

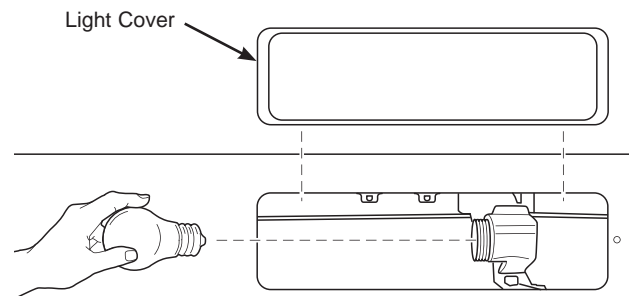
Lights

CAUTION

Allow lights to cool before touching.

On Some Models

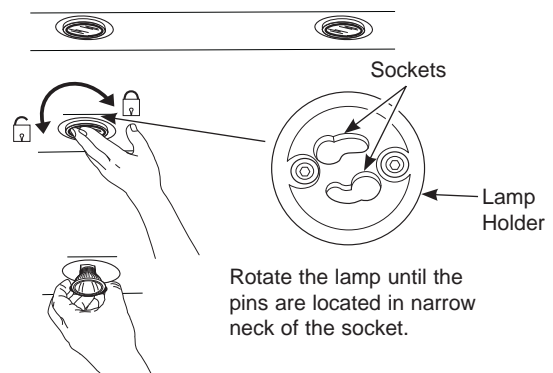
1. Before attempting to replace the lights, make sure that the light switch is turned off.
2. Remove light cover.
3. Unscrew light counterclockwise to unlock light and pull out.
4. Replace with new light of same type (standard incandescent), making sure socket is properly inserted into the housing of the lamp holder.



On Some Models

1. Before attempting to replace the lights, make sure that the light switch is turned off.
2. Rotate light counterclockwise to unlock and pull out. Wearing latex gloves may offer a better grip.
3. Replace with new light of same type, making sure pins are inserted properly into the sockets of the lamp holder and turn clockwise to lock.

All lamps need to be GU10 compatible.



Installation Instructions

Under the Cabinet (UTC) Hoods

JVX3240, JVX3300, JVX5300, JVX5360, JVX5305, JVX5365, PVX7300, PVX7360

? "If you have questions, call GE Appliances at 800.GE.CARES (800.432.2737) or visit our website at: GEAppliances.com"

BEFORE YOU BEGIN

Read these instructions completely and carefully.

- **IMPORTANT** — Save these instructions for local inspector's use.
- **IMPORTANT** — Observe all governing codes and ordinances.
- **Note to Installer** – Be sure to leave these instructions with the Consumer.
- **Note to Consumer** – Keep these instructions for future reference.
- **Skill level** – Installation of this vent hood requires basic mechanical and electrical skills.
- Proper installation is the responsibility of the installer.
- Product failure due to improper installation is not covered under the Warranty.

FOR YOUR SAFETY

⚠ WARNING Before beginning the installation, switch power off at service panel and lock the service disconnecting means to prevent power from being switched on accidentally. When the service disconnecting means cannot be locked, securely fasten a prominent warning device, such as a tag, to the service panel.

⚠ CAUTION To reduce risk of fire and to properly exhaust air, be sure to duct air outside. Do not vent exhaust air into spaces within walls or ceilings or into attics, crawl spaces or garages.

⚠ WARNING TO REDUCE THE RISK OF FIRE, ELECTRIC SHOCK OR INJURY TO PERSONS, OBSERVE THE FOLLOWING:

- A. Installation work and electrical wiring must be done by qualified person(s) in accordance with all applicable codes and standards, including fire-rated construction.
- B. Sufficient air is needed for proper combustion and exhausting of gases through the flue (chimney) of fuel burning equipment to prevent back drafting. Follow the heating equipment manufacturer's guidelines and safety standards such as those published by the National Fire Protection Association (NFPA), the American Society for Heating, Refrigeration and Air Conditioning Engineers (ASHRAE) and the local code authorities.
- C. When cutting or drilling into wall or ceiling, do not damage electrical wiring and other hidden utilities.
- D. Ducted fans must always be vented to the outdoors.

⚠ WARNING TO REDUCE THE RISK OF FIRE, USE ONLY METAL DUCT WORK.

⚠ WARNING Disconnect all electrical power at the main circuit breaker or fuse box before installing.

Installation Preparation

DUCTWORK REQUIREMENTS

⚠ WARNING TO REDUCE THE RISK OF FIRE, USE ONLY METAL DUCTWORK.

NOTE: Read the ductwork sections only if you do not have existing ductwork. If you have existing ductwork, skip to the "Damage" section and proceed.

The venting system must exhaust to the outside.

This hood can be vented vertically through upper cabinets or horizontally through an outside wall. Ductwork is not included.

Exhaust connection

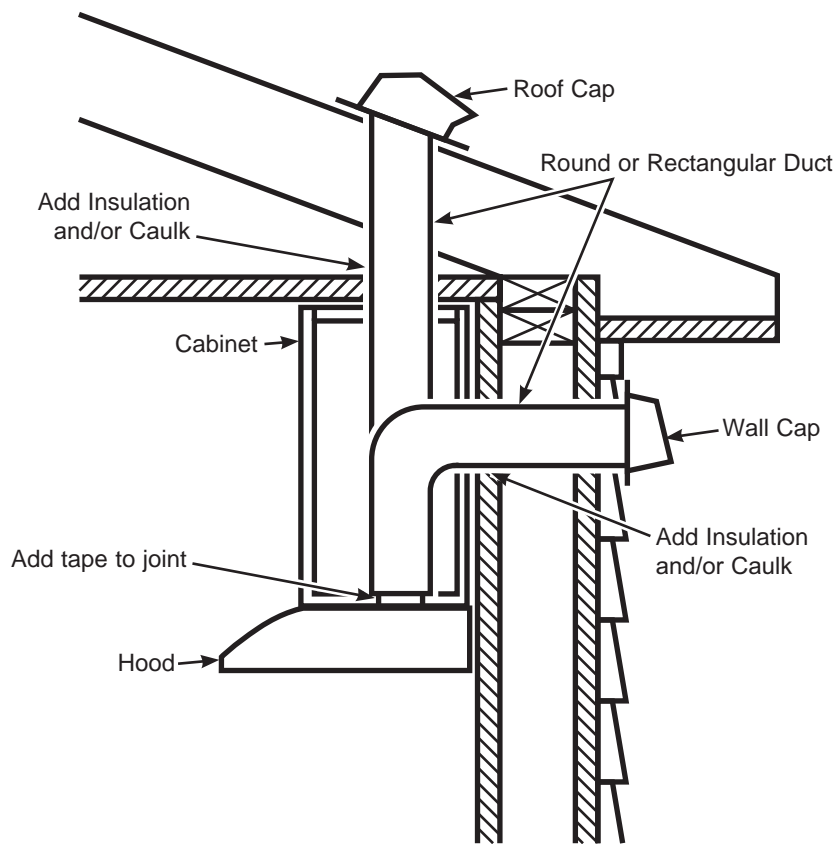
This hood is designed to be vented vertically using a 7" round duct or a 3 1/4" x 10" rectangular duct or horizontally using a 3 1/4" x 10" rectangular duct. **Do not use less than a 7" diameter duct.**

Duct length

The ducting from this fan to the outside of the building has a strong effect on the air flow, noise and energy use of the fan. Use the shortest, straightest duct routing possible for best performance, and avoid installing the fan with smaller ducts than recommended. Insulation around the ducts can reduce energy loss and inhibit mold growth. Fans installed with existing ducts may not achieve their rated air flow.

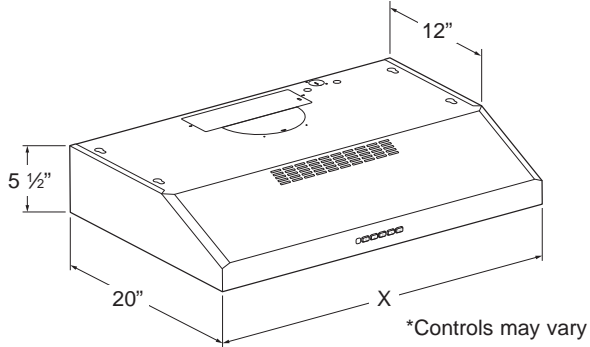
NOTE: For an ENERGY STAR® model, unit must be vented mode to be considered ENERGY STAR® certified.

INSULATION AND/OR CAULK AROUND THE DUCTS

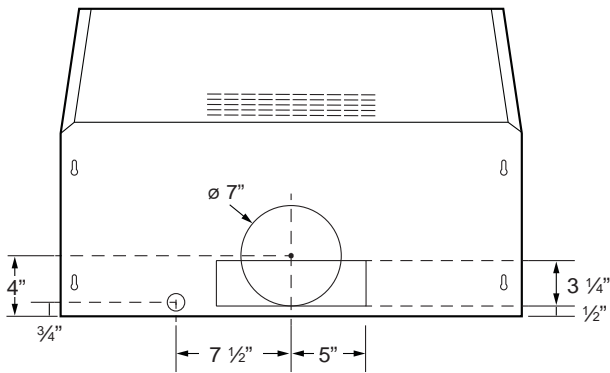


Installation Preparation

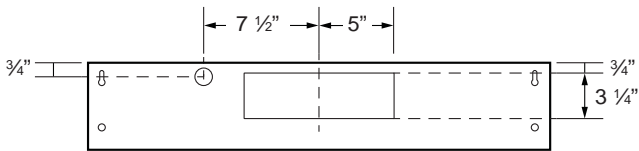
PRODUCT DIMENSIONS



Size	X
24"	23 15/16"
30"	29 15/16"
36"	35 15/16"

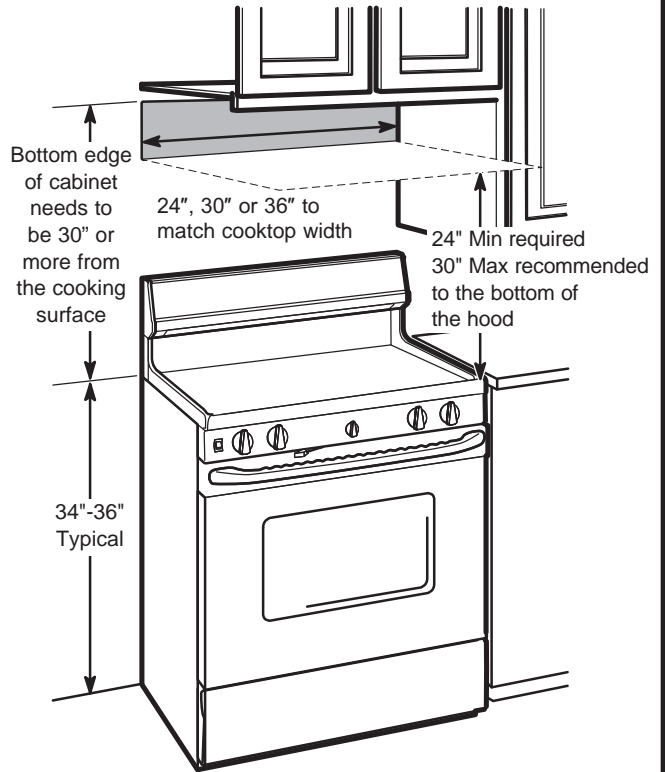


Top View



Back View

MOUNTING SPACE

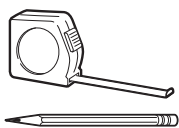


NOTES:

- Hood width may be greater than the width of the range or cooktop, but it may not be smaller.
- Installation height should be measured from the cooking surface to the lowest part of the hood. This hood must be installed onto a cabinet. It can be vented to the outdoors, or it can be installed for recirculating operation.

Installation Preparation

TOOLS AND MATERIALS REQUIRED (NOT SUPPLIED)



Pencil and tape measure



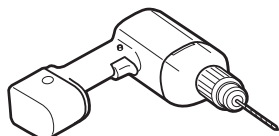
Safety glasses



Spirit level



Wire cutter/stripper



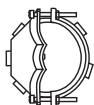
Electric drill, #2 Phillips, flat head, and 3/32" drill bit



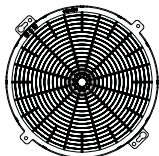
UL listed wire nuts



Torx 10, 15, 20 driver



Strain relief for junction box



Charcoal Filter (required for some models in recirculation mode)



Aluminized Duct tape

PLAN THE INSTALLATION

⚠ CAUTION To reduce risk of fire and to properly exhaust air, be sure to duct the air outside – Do not vent exhaust air into spaces within walls or ceilings or into attics, crawl spaces, or garages.

PARTS SUPPLIED FOR INSTALLATION

- 1 Hardware Package
- 1 Literature Package
- 1 Vented Mode Deflector Part

PARTS NEEDED FOR INSTALLATION

- 1 Strain Relief
- Power Supply Cable
- 1 Wall or Roof Cap (for external venting only)
- All Metal Ductwork (for external venting only)

NOTE: This range hood can be installed as either ducted or recirculation. In a ducted application, this range hood can be vented through the wall or ceiling. When installed for recirculation, the range hood vents out the front of the hood.

NOTE: Before making any cuts or holes for installation, determine which venting method will be used and carefully calculate all measurements.

REMOVE THE PACKAGING

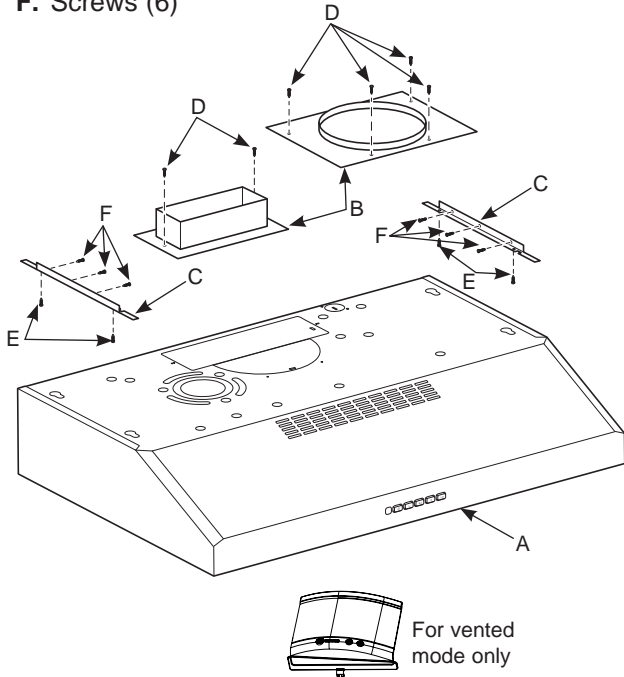
⚠ CAUTION Wear gloves to protect against sharp edges.

- Remove the hardware bag, literature package and other boxed parts.
- Remove and properly discard the protective plastic wrapping and other packaging materials.

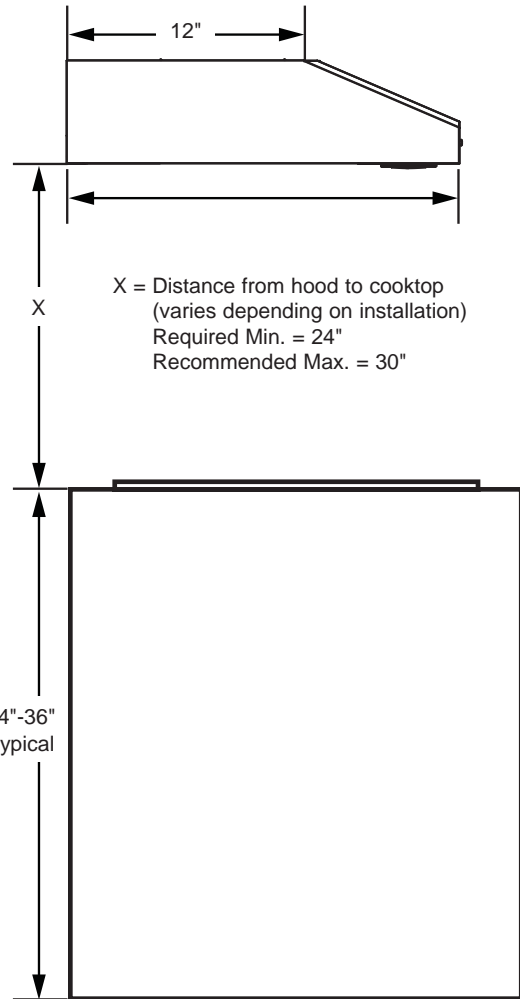
Installation Preparation

RANGE HOOD COMPONENTS

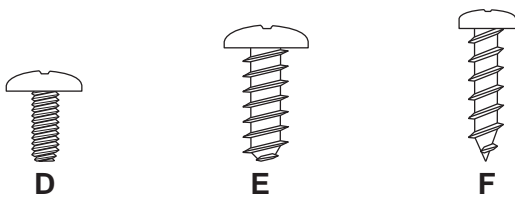
- A. Hood Body
- B. Damper/Duct Connector
- C. Mounting Bracket
- D. Screws (4)
- E. Screws (4)
- F. Screws (6)



INSTALLATION DIMENSIONS



HARDWARE COMPONENTS



Installation Preparation

ADVANCE PLANNING

Vented Install Planning

- This hood is designed to be vented vertically using a 7" round duct or a 3 ¼" x 10" rectangular duct or horizontally using a 3 ¼" x 10" rectangular duct.
- Use metal ductwork only.
- Determine the exact location of the vent hood.
- Plan the route for venting exhaust to the outdoors. To maximize the ventilation performance of the vent system:
 1. Minimize the duct run length and number of transitions and elbows.
 2. Maintain a constant duct size.
 3. Seal all joints with duct tape to prevent any leaks.
 4. Do not use any type of flexible ducting.
- Install a wall cap or roof cap at the exterior opening. Purchase the wall or roof cap and any transition and length of duct needed in advance.
- When applicable, install any makeup (replacement) air system in accordance with local building code requirements. Visit GEAppliances.com for available makeup air solutions.

Recirculation Install Planning

This hood may be installed in recirculation mode and is shipped in this configuration. The charcoal filter is necessary for recirculation installation.

This part may need to be ordered separately depending on model.

Power Supply Planning

The location of the power supply connection is called out in the **Prepare for Electrical and Venting** section on page 15.

POWER SUPPLY

IMPORTANT – (Please read carefully)

▲WARNING

FOR PERSONAL SAFETY, THIS APPLIANCE MUST BE PROPERLY GROUNDED.

Remove house fuse or open circuit breaker before beginning installation.

Do not use an extension cord or adapter plug with this appliance. Follow National Electrical Codes or prevailing local codes and ordinances.

Electrical supply

These vent hoods must be supplied with 120V, 60Hz, and connected to an individual, properly grounded branch circuit, and protected by a 15 or 20 amp circuit breaker or time delay fuse.

- Wiring must be 2 wire with ground.
- If the electrical supply does not meet the above requirements, call a licensed electrician before proceeding.
- Route house wiring as close to the installation location as possible in the ceiling or wall.
- Connect the wiring to the house wiring in accordance with local codes.

Grounding instructions

The grounding conductor must be connected to a ground metal, permanent wiring system, or an equipment-grounding terminal or lead on the hood.

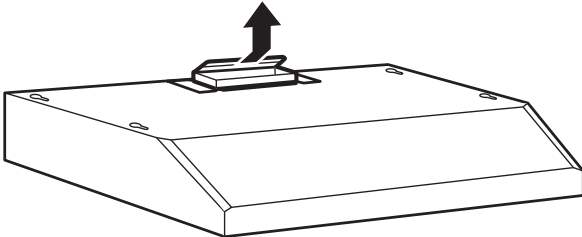
▲WARNING

The improper connection of the equipment-grounding conductor can result in a risk of electric shock. Check with a qualified electrician or service representative if you are in doubt whether the appliance is properly grounded.

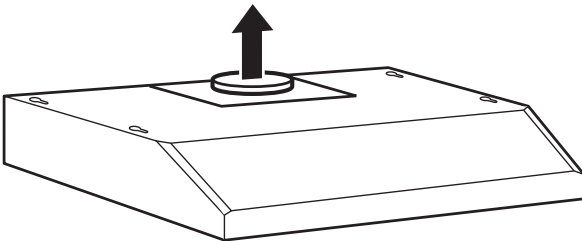
Installation Preparation

1 SELECT VENT OPTION THAT YOUR INSTALLATION WILL REQUIRE (A-D)

A Outside top exhaust
(Vertical duct—3 1/4" x 10" Rectangular)



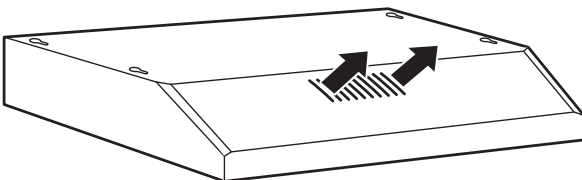
B Outside top exhaust
(Vertical duct—7" Round)



C Outside rear exhaust
(Horizontal duct—3 1/4" x 10" Rectangular)

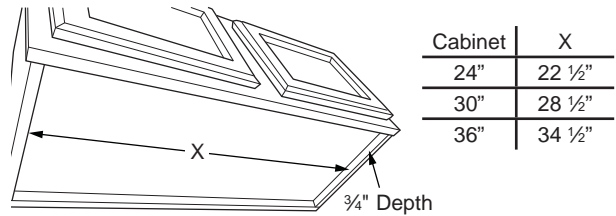


D Recirculating
(Unit is configured from factory in this mode)



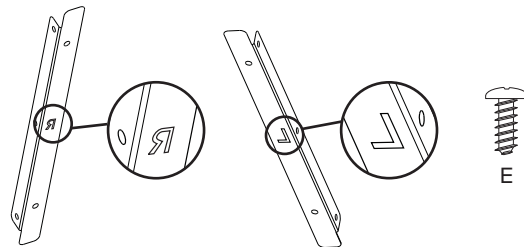
2 PREPARING MOUNTING

For cabinets with dimensions below, the mounting bracket may be used for any model. Otherwise, the hood must mount directly to bottom of cabinet. Wood shims may be needed for cabinets with a recessed bottom. Skip to step B.

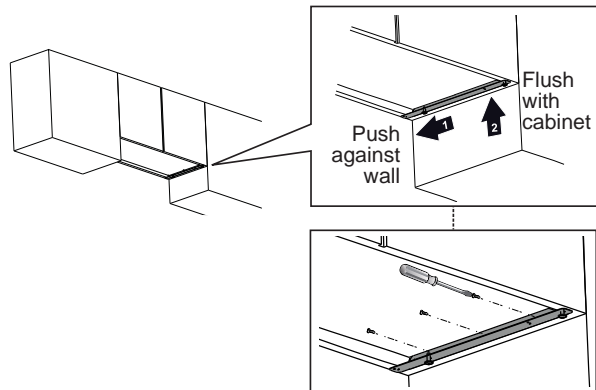


A To install the mounting bracket

Drive (E) screws in partway into mounting bracket. The bracket labeled "R" will be used on the right side of the cabinet and the bracket labeled "L" will be used on the left side of the cabinet.



Under the cabinet that you are placing the range hood, attach the mounting bracket as shown below with (F) screws. Make sure orientation is correct. Brackets should be located against the back wall and flush with the bottom of the cabinet.



NOTE: Repeat on left side.

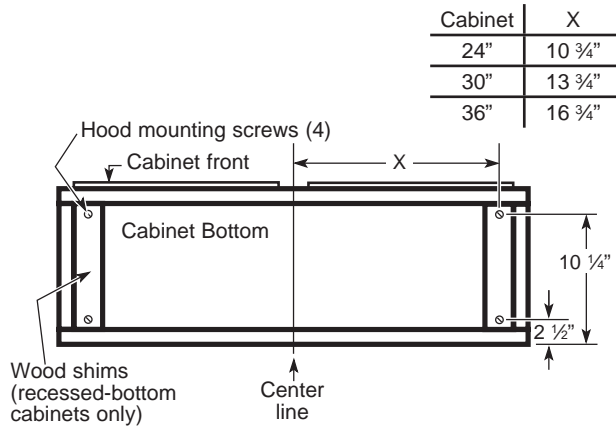
Installation Preparation

2 PREPARING MOUNTING (Cont)

B To install to the bottom of cabinet

Use the diagram or hood as a template and mark the locations on the cabinet for the keyholes screws.

Drive the 4 (F) screws partway into the bottom of the cabinet (or wood shims).

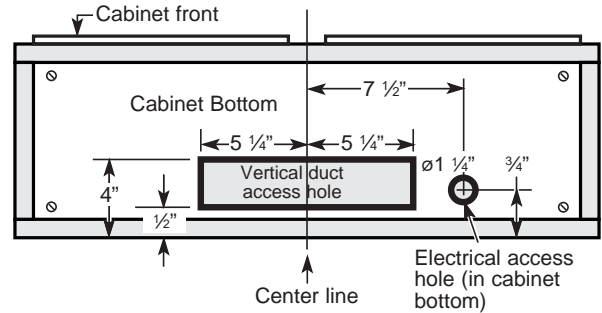


3 PREPARE FOR ELECTRICAL AND VENTING

Select the vent option that your installation will require and proceed to that section:

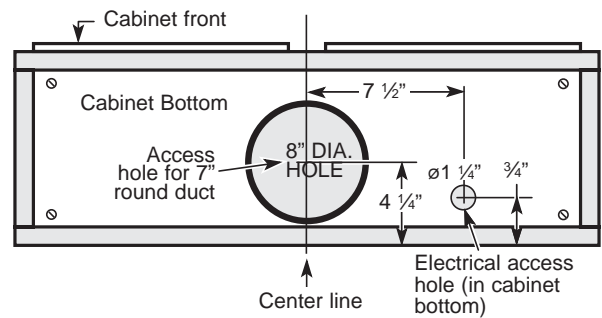
A Outside top exhaust (Vertical duct—3 1/4" x 10" Rectangular)

- Use the diagram as a template and mark the locations on the cabinet for ductwork and electrical wiring.



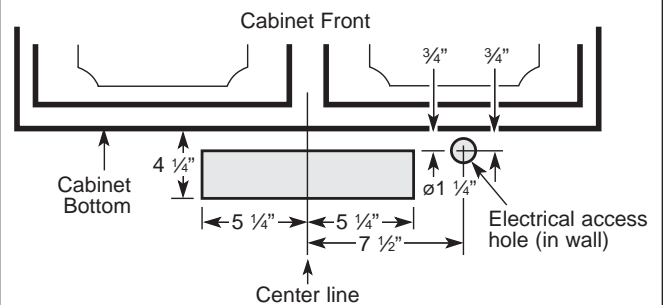
B Outside top exhaust (Vertical duct—7" Round)

- Use the diagram as a template and mark the locations on the cabinet for ductwork and electrical wiring.



C Outside rear exhaust (Horizontal duct—3 1/4" x 10" Rectangular)

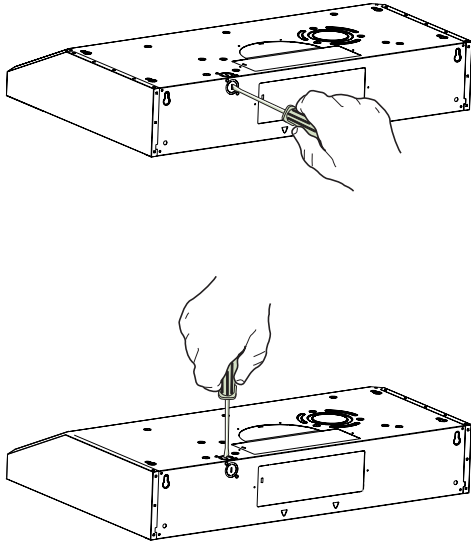
- Use the diagram as a template and mark the locations on the cabinet for ductwork and electrical wiring.



Installation Preparation

4 REMOVE ELECTRICAL KNOCKOUTS

Use a flat blade screwdriver, remove the appropriate electrical knockout from the back or the top of the hood.

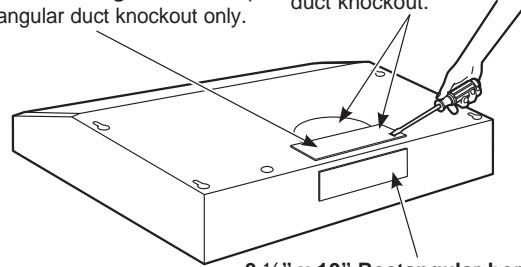


6 REMOVE DUCT KNOCKOUT(S) FOR VENTED INSTALLATION

Determine which ducting option to use. Using a flat blade screwdriver, remove the appropriate **duct knockout(s)** from the top or back of the hood.

3 1/4" x 10" Rectangular vertical discharge. Remove top rectangular duct knockout only.

7" Round vertical discharge. Remove semi-circular duct knockout and top rectangular duct knockout.



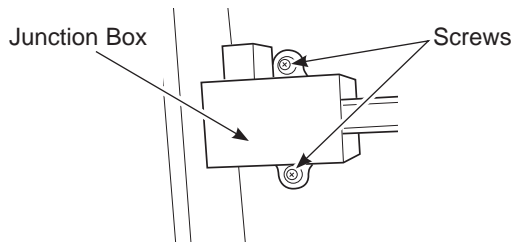
3 1/4" x 10" Rectangular horizontal discharge. Remove rear rectangular duct knockout only.

NOTE: If the hood is to be installed in a recirculation, non-vented ductless manner, do not remove any venting knockouts.

NOTE: For an ENERGY STAR® model, unit must be vented mode to be considered ENERGY STAR® certified.

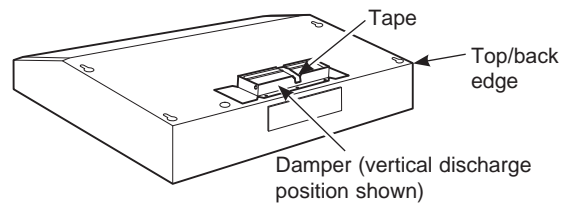
5 REMOVE JUNCTION BOX

Remove junction box from inside the hood. Set the junction box and mounting screws aside.

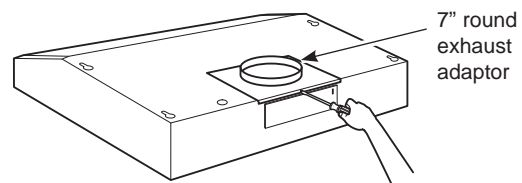


7 ATTACH DAMPER/DUCT CONNECTOR

Attach **damper/duct connector** over knockout opening with two or four (D) screws. Make sure damper **pivot** is nearest to **top/back edge** of hood. Remove any packaging tape to allow damper to move freely.



Rectangular Ducting



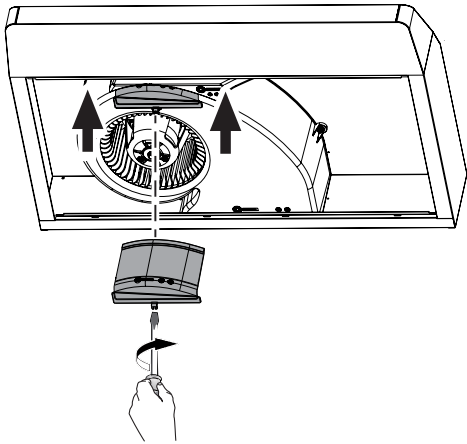
Round Ducting

Installation Instructions

8 FOR VENTED INSTALLATIONS

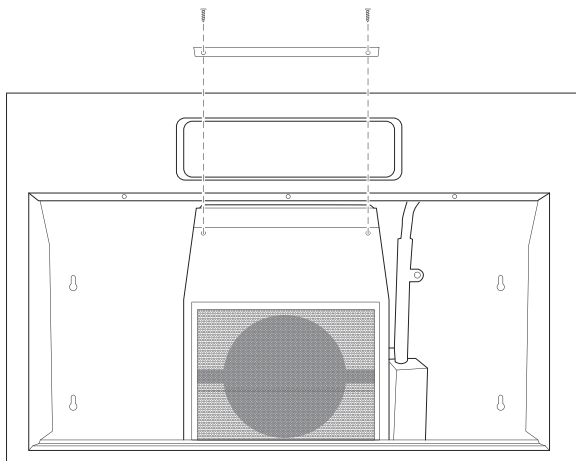
On Some Models:

Install with vented mode deflector part.



On Some Models:

Install vented mode deflector part.

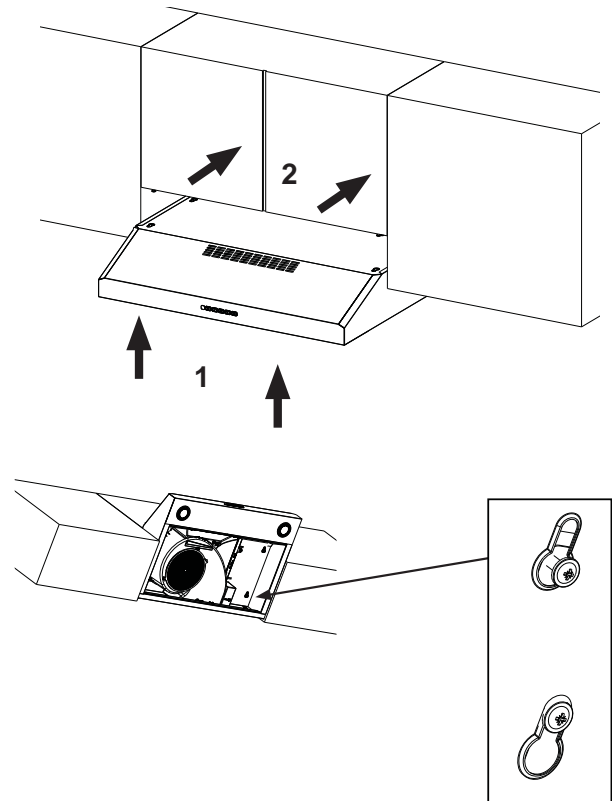


9 FEED IN WIRES

Lift the hood into position and feed the house wiring through the wiring knockout.

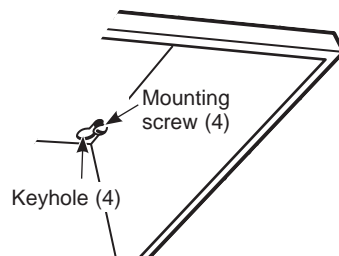
10 MOUNT THE UTC

Place the hood onto the partially installed screws using the keyholes and slide the hood back into position.



11 SECURE HOOD

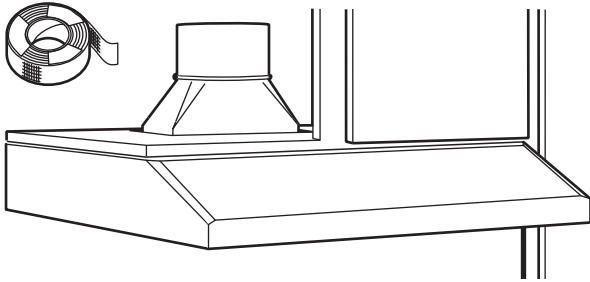
Tighten the mounting screws. Be sure the screw heads are in the narrow neck of the keyhole slot.



Installation Instructions

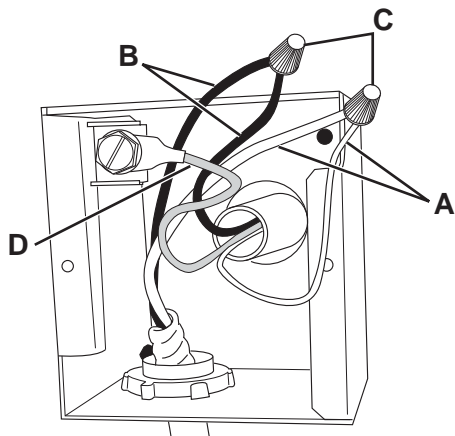
12 CONNECT DUCTWORK TO HOOD (Ducted installations only)

Connect ducting to hood. Use duct tape to make joints secure and airtight.



13 ELECTRICAL CONNECTION

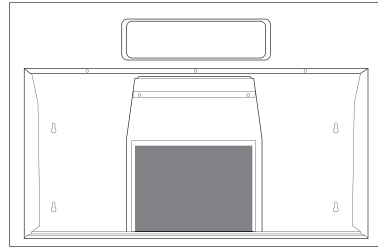
1. Connect the Power Supply Cable to the range hood. Attach the **white** lead of the power supply to the **white** lead of the range hood (**A**) with a wire nut (**C**). Attach the **black** lead of the power supply to the **black** lead of the range hood (**B**) with a wire nut (**C**). Connect the **green** (**D**) ground wire under the green grounding screw.
2. Replace the junction box cover.



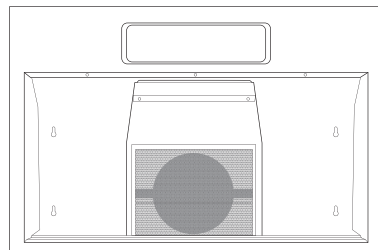
14 FINISH THE INSTALLATION

On Some Models:

1. **For recirculation:** Install the charcoal filter.

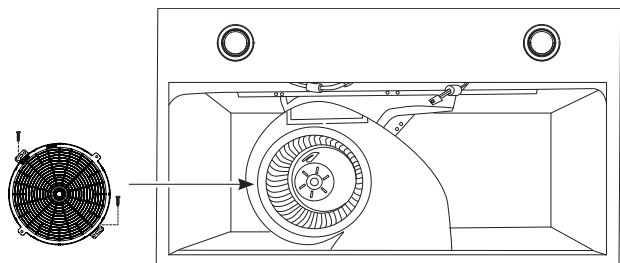


2. **For ducted installation:** Install the grease filters.

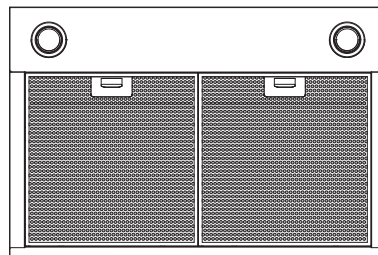


On Some Models:

1. **For recirculation:** Place the charcoal filter (not included) in place and mount using 2 screws. Replace the grease filters.



2. **For vented installation:** Install the grease filters.



Troubleshooting tips ... Before you call for service

Save time and money! Review the charts on the following pages first and you may not need to call for service.

Problem	Possible Cause	What To Do
Fan/Light does not operate when either button is pressed	A house fuse may be blown or a circuit breaker tripped.	Replace fuse or reset circuit breaker.
Fan does not operate when fan Lo, Med, Hi buttons are pressed	The blower connector is loose or not plugged into its mating connector.	Disconnect power to the unit. Remove the filters and look up at the blower. If the blower connector plug is loose or you see the connector dangling, the installer failed to plug it in securely. See the mini manual for the plug location and how to plug in the connector.
Loud or abnormal airflow noise	Wrong duct size used in installation.	Using smaller duct pipe will cause reduced venting. Minimize the duct run length and number of transitions and elbows. GE service technicians cannot correct this issue if installed improperly.
Fan fails to circulate air or moves air slower than normal and/or fan is making loud or abnormal airflow noise	Obstructions in duct work.	Make sure nothing is blocking the vent. Make sure your wall or roof cap has a blade or door.
	Damper blade on wall or roof cap may not be open.	Make sure damper swings freely. Damper blades may flip over and will not fully open when this happens. Adjust to original position.
	Metal grease filter and charcoal filter (if present) may be dirty.	Clean the metal grease filter and replace charcoal filter (if present). See Care and Cleaning of the Vent Hood.
	Insufficient makeup (replacement) air	Sufficient makeup (replacement) air is required for exhausting appliances to operate to rating. Check with local building codes, which may require or strongly advise the use of makeup air. Visit GEAppliances.com for available makeup air solutions.
The hood controls are not operating correctly	Control logic confused.	Disconnect power to the hood by resetting the circuit breaker. Wait 30 seconds to allow controls to reset.
Early light failure	Light wattage is too high.	Replace with correct wattage.
Fan continually cycles off and on	The motor is probably overheating and turning itself off. This can be harmful to the motor. Filter may be excessively soiled.	Clean the metal grease filter and replace charcoal filter (if present). See Care and Cleaning of the Vent Hood.

GE Appliances Vented Range Hood Warranty

WARRANTY

GEAppliances.com

All warranty service is provided by our Factory Service Centers, or an authorized Customer Care® technician. To schedule service online, visit us at www.geappliances.com/service_and_support/, or call GE Appliances at 800.GE.CARES (800.432.2737). Please have your serial number and your model number available when calling for service.

Servicing your appliance may require the use of the onboard data port for diagnostics. This gives a GE Appliances factory service technician the ability to quickly diagnose any issues with your appliance and helps GE Appliances improve its products by providing GE Appliances with information on your appliance. If you do not want your appliance data to be sent to GE Appliances, please advise your technician not to submit the data to GE Appliances at the time of service.

For the period of	GE Appliances will replace
One year From the date of the original purchase	Any part of the cooking product which fails due to a defect in materials or workmanship. During this limited one-year warranty , GE Appliances will provide, free of charge , all labor and related service costs to replace the defective part.

What GE Appliances will not cover:

- Service trips to your home to teach you how to use the product.
- Improper installation, delivery, or maintenance.
- Failure of the product if it is abused, misused, modified, or used for other than the intended purpose or used commercially.
- Replacement of house fuses or resetting of circuit breakers.
- Damage to the product caused by accident, fire, floods, or acts of God.
- Damage to finish, such as surface rust, tarnish, or small blemishes not reported within 48 hours of delivery.
- Incidental or consequential damage caused by possible defects with this appliance.
- Damage caused after delivery.
- Product not accessible to provide required service.
- Service to repair or replace light bulbs, except for LED lamps.

EXCLUSION OF IMPLIED WARRANTIES

Your sole and exclusive remedy is product repair as provided in this Limited Warranty. Any implied warranties, including the implied warranties of merchantability or fitness for a particular purpose, are limited to one year or the shortest period allowed by law.

This warranty is extended to the original purchaser and any succeeding owner for products purchased for home use within the USA. If the product is located in an area where service by a GE Appliances Authorized Servicer is not available, you may be responsible for a trip charge or you may be required to bring the product to an Authorized GE Appliances Service location for service. In Alaska, the warranty excludes the cost of shipping or service calls to your home. Some states do not allow the exclusion or limitation of incidental or consequential damages. This warranty gives you specific legal rights, and you may also have other rights which vary from state to state. To know what your legal rights are, consult your local or state consumer affairs office or your state's Attorney General.

Warrantor: GE Appliances

Extended Warranties: Purchase a GE Appliances extended warranty and learn about special discounts that are available while your warranty is still in effect. You can purchase it online anytime at

www.geappliances.com/service_and_support/shop-for-extended-service-plans.htm

or call 800.626.2224 during normal business hours. GE Appliances Service will still be there after your warranty expires.

Staple your receipt here. Proof of the original purchase date is needed to obtain service under the warranty.

Accessories

Looking For Something More?

GE offers a variety of accessories to improve your cooking and maintenance experiences!

Refer to the Consumer Support page for phone numbers and website information.

The following products and more are available:

Parts

Charcoal Filter

Remote Control

Replacement Lights

15" Cabinet Filler Panel

Cleaning Supplies

CitruShine™ Stainless Steel Wipes

CERAMA BRYTE® Stainless Steel Appliance Cleaner

Bar Keepers Friend Soft Cleanser™

Notes

Consumer Support

GE Appliances Website

Have a question or need assistance with your appliance? Try the GE Appliances Website 24 hours a day, any day of the year! You can also shop for more great GE Appliances products and take advantage of all our on-line support services designed for your convenience. In the US: GEAppliances.com

Register Your Appliance

Register your new appliance on-line at your convenience! Timely product registration will allow for enhanced communication and prompt service under the terms of your warranty, should the need arise. You may also mail in the pre-printed registration card included in the packing material. In the US: GEAppliances.com/register

Schedule Service

Expert GE Appliances repair service is only one step away from your door. Get on-line and schedule your service at your convenience any day of the year. In the US: GEAppliances.com/ge/service-and-support/service.htm or call 800.432.2737 during normal business hours.

Extended Warranties

Purchase a GE Appliances extended warranty and learn about special discounts that are available while your warranty is still in effect. You can purchase it on-line anytime. GE Appliances Services will still be there after your warranty expires. In the US: GEAppliances.com/ge/service-and-support/shop-for-extended-service-plans.htm or call 800.626.2224 during normal business hours.

Remote Connectivity

For assistance with wireless network connectivity (for models with remote enable), visit our website at GEAppliances.com/ge/connected-appliances/ or call 800.220.6899 in the US.

Parts and Accessories

Individuals qualified to service their own appliances can have parts or accessories sent directly to their homes (VISA, MasterCard and Discover cards are accepted). Order on-line today 24 hours every day. In the US: GEApplianceparts.com or by phone at 877.959.8688 during normal business hours.

Instructions contained in this manual cover procedures to be performed by any user. Other servicing generally should be referred to qualified service personnel. Caution must be exercised, since improper servicing may cause unsafe operation.

Contact Us

If you are not satisfied with the service you receive from GE Appliances, contact us on our Website with all the details including your phone number, or write to:

In the US: General Manager, Customer Relations | GE Appliances, Appliance Park | Louisville, KY 40225
GEAppliances.com/ge/service-and-support/contact.htm



CAMPANAS PARA COCINAS

INFORMACIÓN DE SEGURIDAD3

USO DE LA PLACA DE COCCIÓN
 Controles.....5
 Chef Connect6

CUIDADO Y LIMPIEZA
 Filtros.....7
 Superficies.....8
 Lámparas.....8

**INSTRUCCIONES
 DE INSTALACIÓN**9

**CONSEJOS PARA LA SOLUCIÓN
 DE PROBLEMAS**..... 20

GARANTÍA21

ACCESORIOS22

**SOPORTE PARA
 EL CONSUMIDOR**.....24

MANUAL DEL PROPIETARIO E INSTALACIÓN

- JVX3240
- JVX3300
- JVX5300
- JVX5360
- JVX5305
- JVX5365
- PVX7300
- PVX7360



Escriba los números de modelo y de serie aquí:

Nº de Modelo _____

Nº de Serie _____

Los puede encontrar en una etiqueta en la pared interna de la campana.

991.0480.237

GRACIAS POR HACER QUE GE APPLIANCES SEA PARTE DE SU HOGAR.

Ya sea que haya crecido usando GE Appliances, o que ésta es su primera vez, nos complace tenerlo en la familia.

Sentimos orgullo por el nivel de arte, innovación y diseño de cada uno de los electrodomésticos de GE Appliances, y creemos que usted también. Entre otras cosas, el registro de su electrodoméstico asegura que podamos entregarle información importante del producto y detalles de la garantía cuando los necesite.

Registre su electrodoméstico GE ahora a través de Internet. Sitios Web y números telefónicos útiles están disponibles en la sección de Soporte para el Consumidor de este Manual del Propietario.

También puede enviar una carta en la tarjeta de inscripción preimpresa que se incluye con el material embalado.



GE APPLIANCES

INFORMACIÓN IMPORTANTE DE SEGURIDAD

LEA TODAS LAS INSTRUCCIONES ANTES DE USAR

⚠️ ADVERTENCIA PARA REDUCIR EL RIESGO DE INCENDIO, DESCARGA ELÉCTRICA O LESIONES A PERSONAS, CUMPLA CON LOS SIGUIENTES PUNTOS:

- A. Utilice esta unidad sólo de la manera concebida por el fabricante. Si tiene alguna pregunta, comuníquese con el fabricante.
- B. Antes de realizar reparaciones o limpiar la unidad, desconecte la energía del panel de servicio y bloquee los medios de desconexión para evitar el accionamiento de la energía de manera accidental. Cuando los medios de desconexión de servicio no pueden bloquearse, coloque sobre el panel de servicio un dispositivo de advertencia bien visible, como una etiqueta.
- C. No utilice esta unidad con ningún dispositivo de control de velocidad de estado sólido.
- D. Esta unidad debe estar conectada a tierra.

⚠️ ADVERTENCIA PARA REDUCIR EL RIESGO DE UN INCENDIO DE GRASA SOBRE UNA ESTUFA:

- A. Nunca deje unidades de superficie desatendidas en configuraciones de calor elevadas. Los alimentos que hierven y se derraman provocan humo y derrames grasosos que pueden prenderse fuego. Caliente los aceites lentamente en configuraciones bajas o medias.
- B. Siempre encienda (ON) la campana cuando cocine con configuraciones elevadas o cuando flambee alimentos (por ej., Crepes Suzette, cerezas Jubilee, carne flambeada a la pimienta en grano).
- C. Limpie los ventiladores con frecuencia. No debe permitirse la acumulación de grasa en el ventilador o en el filtro.
- D. Utilice el tamaño de recipiente adecuado. Siempre utilice recipientes de cocción apropiados para el tamaño del elemento de superficie.

⚠️ ADVERTENCIA PARA REDUCIR EL RIESGO DE LESIONES A PERSONAS EN CASO DE UN INCENDIO DE GRASA SOBRE UNA ESTUFA, CUMPLA CON LOS SIGUIENTES PUNTOS*:

- A. APAGUE LAS LLAMAS con una tapa que ajuste bien, una plancha para galletas o una bandeja de metal, y luego apague el quemador. TENGA MUCHO CUIDADO A FIN DE EVITAR QUEMADURAS. Si las llamas no se apagan de inmediato, SALGA DE LA VIVIENDA Y LLAME AL DEPARTAMENTO DE BOMBEROS.
- B. NUNCA LEVANTE UNA SARTÉN EN LLAMAS—Usted puede quemarse.
- C. NO UTILICE AGUA, incluyendo repasadores o toallas húmedos—se provocará una violenta explosión de vapor.
- D. Utilice un extintor SÓLO si:
 - 1. Usted sabe que cuenta con un extintor Clase ABC y ya sabe cómo utilizarlo.
 - 2. El incendio es pequeño y se contuvo en el área donde comenzó.
 - 3. Se está llamando al departamento de bomberos.
 - 4. Usted puede combatir el incendio con su espalda dirigida hacia una salida.

*Basado en "Kitchen Fire Safety" publicado por NFPA.

⚠️ PRECAUCIÓN SÓLO PARA USO DE VENTILACIÓN GENERAL. NO LO UTILICE PARA ELIMINAR MATERIALES Y VAPORES PELIGROSOS O EXPLOSIVOS.

LEA Y GUARDE ESTAS INSTRUCCIONES

INFORMACIÓN IMPORTANTE DE SEGURIDAD LEA TODAS LAS INSTRUCCIONES ANTES DE USAR

EQUIPO DE ACCESO REMOTO INSTALADO (en algunos modelos)

Este dispositivo cumple con la Parte 15 de la Normativa de la FCC. Su funcionamiento está sujeto a las dos condiciones siguientes: (1) Este dispositivo no podrá ocasionar interferencias nocivas, y (2) este dispositivo debe aceptar cualquier interferencia recibida, incluyendo interferencias que puedan ocasionar un funcionamiento no deseado.

El equipo de comunicación inalámbrica instalado en esta campana fue probado y cumple con los límites establecidos para un dispositivo digital de Clase B, de acuerdo con la parte 15 de las Normativas de la FCC. Estos límites fueron diseñados para:

(a) brindar una protección razonable contra interferencias nocivas en una instalación residencial. Este equipo genera, usa y puede emitir energía de radiofrecuencia y, si no se instala y utiliza de acuerdo con las instrucciones, puede ocasionar interferencias perjudiciales en las comunicaciones de radio. Sin embargo, no se garantiza que no se presenten interferencias en una instalación en particular. Si el equipo provoca interferencias perjudiciales para la recepción de radio o televisión, lo cual puede comprobar encendiendo y apagando el equipo, se aconseja al usuario que intente corregir la interferencia con una de las siguientes medidas:

- Reoriente o reubique la antena receptora.
- Aumente la separación entre el equipo y el receptor.
- Conecte el equipo a un tomacorriente de un circuito diferente del tomacorriente al que se encuentra conectado el receptor.
- Para solicitar ayuda, consulte con el proveedor minorista o a un técnico experimentado de radio/ TV.

(b) tolerar cualquier interferencia recibida, incluyendo las interferencias que puedan provocar un funcionamiento no deseado del dispositivo.

Observe que todos los cambios o modificaciones sobre el dispositivo de comunicación inalámbrico instalado en este horno que no estén expresamente aprobados por el fabricante podrían anular la autoridad del usuario para operar el equipamiento.

Cómo Retirar la Película Protectora de Envío y la Cinta de Embalaje

Con cuidado tome un extremo de la película protectora de envío con los dedos y lentamente retire la misma de la superficie del electrodoméstico. No utilice ningún producto filoso para retirar la película. Retire toda la película antes de usar el electrodoméstico por primera vez.

Para asegurar que no haya daños sobre el acabado del producto, la forma más segura de retirar el adhesivo de la cinta de embalaje en electrodomésticos nuevos es aplicando un

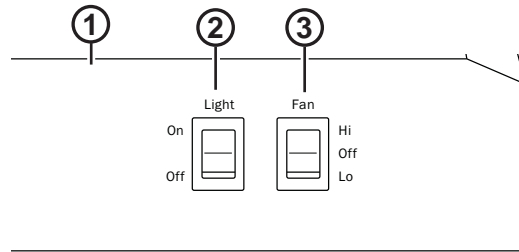
detergente líquido hogareño para lavar platos. Aplique con una tela suave y deje que se seque.

NOTA: El adhesivo deberá ser eliminado de todas las partes. No se puede retirar si se hornea con éste dentro.

LEA Y GUARDE ESTAS INSTRUCCIONES

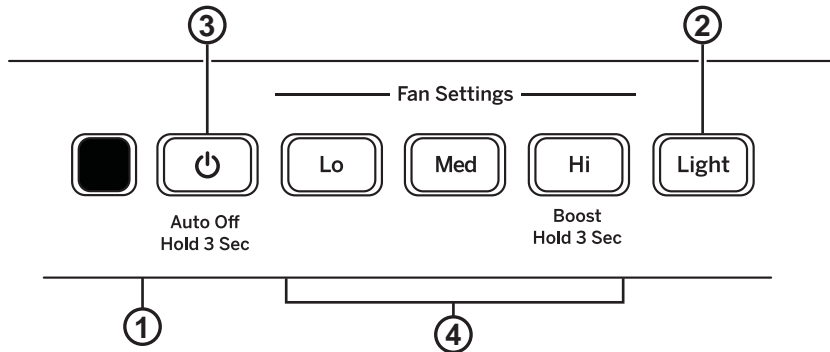
Controles

En Algunos Modelos



- 1. Panel de Control de la Campana Extractora:** El panel de control está ubicado en el frente de la base.
- 2. Interruptor de Luz:** El interruptor de luz permite pasar de On (Encender) a Off (Apagar).
- 3. Interruptor de Corriente del Ventilador:** El interruptor de luz permite pasar de On (Encender) a Off (Apagar).

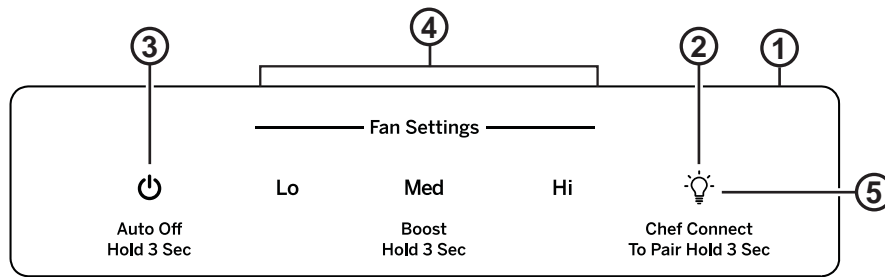
En Algunos Modelos



- 1. Panel de Control de la Campana Extractora:** El panel de control está ubicado en el frente de la base.
- 2. Botón de Luz:** Interruptor On/Night/Off (Encendido/ Nocturno/ Apagado) para las luces. Presione el botón LIGHT (Luz) para encender las luces, nuevamente para ajustar las luces en la configuración nocturna, y nuevamente para apagarlas.
- 3. Botón Fan Off (Ventilador Apagado):** Interruptor de apagado del ventilador. El ventilador puede ser usado presionando cualquiera de los botones de configuración del ventilador. Mantenga presionado durante 3 segundos para activar la función de apagado automático luego de 15 minutos.
- 4. Botones de la Configuración del Ventilador:** Control de velocidad del ventilador. Presione el botón de **Lo** para activar la velocidad en LOW (Baja), **Med** para MEDIUM (Media) y **Hi** para HIGH (Alta). Mantenga presionado el botón Hi (Alto) durante 3 segundos para activar la función BOOST SPEED (Aumento de Velocidad), la cual funcionará durante 10 minutos.

Controles

En Algunos Modelos



- Panel de Control de la Campana Extractora:** El panel de control de vidrio táctil está ubicado en el frente de la base.
- Tecla de la Luz:** Interruptor On/Night/Off (Encendido/ Nocturno/ Apagado) para las luces. Presione la tecla **LIGHT (Luz)** para encender las luces, nuevamente para ajustar las luces en la configuración nocturna, y nuevamente para apagarlas.
- Tecla de Apagado Automático:** Interruptor de apagado del ventilador. El ventilador puede ser usado presionando cualquiera de las teclas de configuración del ventilador. Mantenga presionado durante 3 segundos para activar la función de apagado automático luego de 15 minutos.
- Teclas de Configuración del Ventilador:** Control de velocidad del ventilador. Presione la tecla **Lo** para activar la velocidad en LOW (Baja), **Med** para MEDIUM (Media) y **Hi** para HIGH (Alta). Mantenga presionado el botón **Hi** (Alto) durante 3 segundos para activar la función BOOST SPEED (Aumento de Velocidad), la cual funcionará durante 10 minutos.
- Chef Connect:** Ésta es una función de emparejamiento de Bluetooth® para uso con otros productos compatibles con Chef Connect en una superficie de cocción o una cocina. Cuando el dispositivo es emparejado, la luz y el ventilador se encenderán en Default Sync Settings (Configuraciones de Sincronización por Omisión), al recibir una orden desde la cocina o la superficie de cocción. Permanecerá en ON (Encendido) en esa configuración hasta que el usuario la modifique.

Chef Connect

Conexión de Bluetooth® al Funcionamiento de Chef Connect

Para emparejar con otro dispositivo:

Para iniciar el proceso de emparejamiento de la campana, mantenga presionada la tecla Light (Luz) durante 3 segundos. La luz trasera Lo (Baja) - Med (Media) - Hi (Alta) – Light (Luz) titilará en esa secuencia hasta que la campana esté emparejada con la cocina u otro dispositivo. Si el emparejamiento es exitoso, las 4 luces (Baja, Media, Alta y Luz) titilarán 3 veces de forma simultánea y luego se apagarán.

Se desactivará luego de 2 minutos si el emparejamiento no es completado. Luego de esto, la secuencia de emparejamiento deberá ser reiniciada.

Para cancelar el emparejamiento:

Para cancelar el emparejamiento, mantenga presionada la tecla **Light (Luz)** durante 3 segundos y luego apague la campana.

Configuraciones de Sincronización por Omisión:

La configuración por omisión de fábrica de la luz será la más brillante.

La configuración por omisión de fábrica de la sincronización del ventilador estará APAGADA.

El usuario puede modificar las Configuraciones de Sincronización por Omisión, manteniendo presionada la tecla **Lo (Bajo)** durante 3 segundos. Esto hará que se ingrese al Modo de Configuraciones por Omisión. Una vez en este modo, las luces traseras de todos los botones (Bajo, medio, Alto y Luz) titilarán en On/Off (Encendido/ Apagado) de forma indefinida y el ventilador y la luz cambiarán a la Configuración de Sincronización por Omisión, de modo que el usuario sepa cuál es el valor actual por omisión. En este momento, configure la luz y el ventilador en los niveles por omisión deseados. Una vez que el usuario esté satisfecho con la selección, se deberá mantener presionada la tecla **Off (Apagar)** durante 3 segundos. Esto hará que se salga de este modo. En ese momento, las luces traseras dejarán de titilar y el estado del ventilador y la luz volverán a cambiar a su estado anterior antes de ingresar a al Modo de Configuraciones por Omisión.

Filtros

Asegúrese de que la energía eléctrica esté apagada y que todas las superficies estén frías antes de limpiar o arreglar cualquier pieza de la campana de ventilación.

Filtro de grasa metálico

Los filtros metálicos atrapan la grasa durante la cocción. Filtro debe estar SIEMPRE en su lugar cuando la campana esté en funcionamiento. El filtro de grasa es apto para lavavajillas y debe limpiarse cada 6 meses, o según sea necesario.

Para quitar:

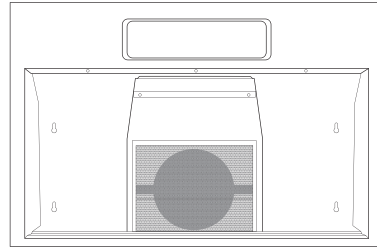
Tire hacia abajo la traba del filtro para liberarlo.

Para volver a colocar:

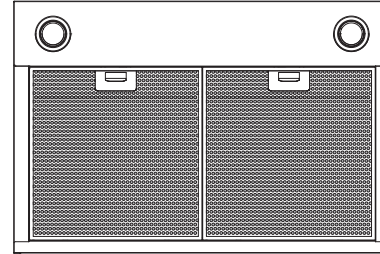
Calce las lengüetas en la parte trasera del filtro, en las ranuras de la parte trasera de la abertura del filtro. Levante el lado frontal del filtro y presione de forma suave hasta que el filtro quede bloqueado en su posición. Asegúrese de que el bloqueo del filtro esté en la posición cerrada para asegurar el filtro.

Para limpiar el filtro, utilice agua jabonosa caliente y enjuague con agua limpia o lávelo en el lavavajillas. No utilice productos de limpieza abrasivos.

NOTA: En el lavavajillas se producirá una leve decoloración.



NOTA: Para esta configuración, sólo se utiliza un filtro de grasa en el modo de ventilación.



Filtro de Carbón (para la instalación con recirculación únicamente)

Si el modelo no tiene ventilación hacia afuera, el aire será recirculado a través de un filtro de carbón descartable que ayude a retirar el humo y los olores.

NOTA: NO enjuague o coloque el filtro de carbón en el lavavajillas automático.

El filtro de carbón no puede ser limpiado. Debe ser reemplazado. Se recomienda que el filtro de carbón sea reemplazado cada entre 6 y 12 meses, o si se encuentra notoriamente sucio o decolorado.

Para consultar sobre la compra de filtros de carbón de repuesto o para encontrar la ubicación del distribuidor más cercano a su domicilio, llame a nuestro número gratuito:

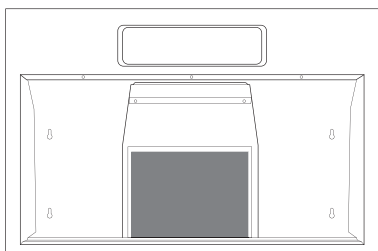
Centro nacional de piezas 800.626.2002

Para su instalación (en Algunos Modelos):

1. Retire los filtros metálicos – consulte la sección del filtro de grasa metálico.
2. Coloque la parte interna del filtro de carbón con las lengüetas contra la parte inferior del calefactor.
3. Coloque los tornillos en las 2 ubicaciones que aparecen en la imagen.
4. Reemplace los filtros metálicos – consulte la sección del filtro de grasa metálico.

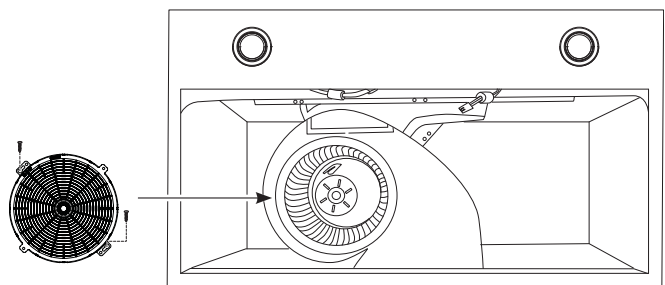
Para su retiro:

1. Retire los filtros metálicos – consulte la sección del filtro de grasa metálico.
2. Retire los 2 tornillos que sostienen el filtro de carbón para retirar este último.



Filtro de carbón incluido en este modelo.

NOTA: Para esta configuración, se debe instalar el filtro de carbón en lugar del filtro de grasa.



Filtro de carbón no incluido en este modelo. Llame al Centro Nacional de Piezas (National Parts Center) al 800.626.2002 para realizar su orden.

Superficies

Superficies de acero inoxidable (en algunos modelos)

No utilice almohadillas de acero porque rayan la superficie.

Para limpiar la superficie de acero inoxidable, utilice agua tibia jabonosa o un limpiador o lustrador de acero inoxidable. Siempre limpie la superficie en dirección de la veta. Siga las instrucciones del producto para limpiar la superficie de acero inoxidable. Los limpiadores con ácido oxálico tales como **Bar Keepers Friend Soft Cleanser™** eliminarán el óxido sobre la superficie, deslustres y pequeñas manchas. Para recibir un cupón de \$2.00 para una muestra de **Bar Keepers Friend Soft Cleanser™** ingrese al siguiente link o escanee el Código QR.

www.barkeepersfriend.com/ge



Use sólo un limpiador líquido libre de material abrasivo y frote en la dirección de las líneas del cepillo con una esponja suave y húmeda.

Para consultar sobre la compra de limpiadores o lustradores de aparatos de acero inoxidable, o para encontrar la ubicación del distribuidor más cercano, llame a nuestro número gratuito:

Centro nacional de piezas
800.626.2002

GEApplianceParts.com

Superficies Pintadas (en algunos modelos)

No use virutas de acero u otros limpiadores abrasivos; estos rayarán la superficie.

De forma frecuente, limpie las superficies sucias de grasa. Para limpiar la superficie de la campana, use una tela caliente y húmeda con un detergente suave adecuado para superficies pintadas. Se puede agregar aproximadamente una cucharada de amoníaco al agua. Use una tela limpia, caliente y húmeda para eliminar el jabón. Seque con una tela limpia y seca.

NOTA: Al realizar la limpieza, tenga cuidado de no tener contacto con los filtros y otras superficies.

⚠ ADVERTENCIA

Al limpiar las superficies de la campana, asegúrese de no tocar la lámpara con las manos húmedas o con una tela. Una lámpara tibia o caliente se puede romper si es tocada con una superficie húmeda. Siempre espere a que la lámpara se enfríe completamente antes de hacer la limpieza alrededor de la misma.

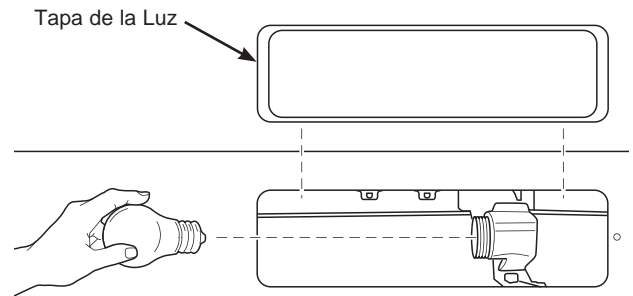
Lámparas

⚠ ADVERTENCIA

Espera a que las lámparas se enfríen antes de tocar las mismas.

En Algunos Modelos

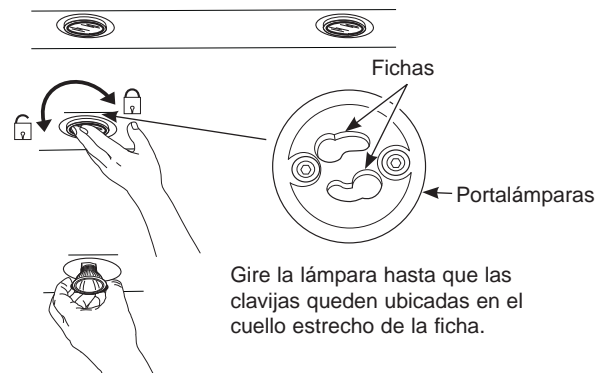
1. Antes de intentar reemplazar una lámpara, asegúrese de que su interruptor esté apagado.
2. Retire la tapa de la luz.
3. Destornille la lámpara en dirección contraria a la agujas del reloj para desbloquear y extraer la misma.
4. Reemplace por una luz nueva del mismo tipo (incandescente estándar), asegurándose de que la ficha esté correctamente insertada en la ubicación del portalámparas.



En Algunos Modelos

1. Antes de intentar reemplazar una lámpara, asegúrese de que su interruptor esté apagado.
2. Gire la lámpara en dirección contraria a las agujas del reloj para desbloquear y extraer la misma. Colocarse guantes de látex puede brindar un mejor agarre.
3. Reemplace por una lámpara nueva del mismo tipo, asegurándose de que las clavijas queden correctamente insertadas en las fichas del portalámparas y gire en dirección de las agujas del reloj para bloquear la lámpara.

Todas las lámparas deben ser compatibles con GU10.



Instrucciones de instalación

Debajo de las Campanas del Gabinete (UTC)

JVX3240, JVX3300, JVX5300, JVX5360, JVX5305, JVX5365, PVX7300, PVX7360

? “Ante cualquier duda, llame a GE Appliances al 800.GE.CARES (800.432.2737) o visite nuestro sitio Web en: GEAppliances.com”.

ANTES DE COMENZAR

Lea estas instrucciones por completo y con detenimiento.

- **IMPORTANTE** — Guarde estas instrucciones para el uso de inspectores locales.
- **IMPORTANTE** — Cumpla con todos los códigos y ordenanzas vigentes.
- **Nota al instalador** – Asegúrese de dejar estas instrucciones con el Consumidor.
- **Nota al consumidor** – Conserve estas instrucciones para referencia futura.
- **Nivel de capacidad** – La instalación de esta campana de ventilación requiere capacidades mecánicas y eléctricas básicas.
- El instalador tiene la responsabilidad de efectuar una instalación adecuada.
- La Garantía no cubre las fallas del producto debido a una instalación incorrecta.

PARA SU SEGURIDAD

▲ADVERTENCIA Antes de comenzar la instalación, desconecte la energía del panel de servicio y bloquee los medios de desconexión para evitar el accionamiento de la energía de manera accidental. Cuando los medios de desconexión de servicio no pueden bloquearse, coloque sobre el panel de servicio un dispositivo de advertencia bien visible, como una etiqueta.

▲ADVERTENCIA Para reducir el riesgo de incendio y para eliminar el aire de escape correctamente, asegúrese de dirigir el aire del conducto hacia el exterior. No ventile el aire de escape en espacios dentro de paredes o cielorrasos o en áticos, huecos sanitarios o garajes.

▲ADVERTENCIA PARA REDUCIR EL RIESGO DE INCENDIO, DESCARGA ELÉCTRICA O LESIONES A PERSONAS, CUMPLA CON LOS SIGUIENTES PUNTOS:

- A. El trabajo de instalación y el cableado eléctrico deben ser realizados por una persona(s) calificada de acuerdo con todos los códigos y estándares aplicables, incluyendo construcciones resistentes al fuego.
- B. Es necesario contar con suficiente cantidad de aire para una combustión y salida de gases adecuadas a través del conducto (chimenea) del equipo de consumo de combustible, a fin de evitar ráfagas de aire. Siga las pautas del fabricante del equipo de calefacción y los estándares de seguridad, tales como aquellos publicados por la Asociación Nacional de Protección contra Incendios (National Fire Protection Association, NFPA), la Sociedad Estadounidense para la Calefacción (American Society for Heating), los Ingenieros de Refrigeración y Acondicionadores de Aire (Refrigeration and Air Conditioning Engineers, ASHRAE) y las autoridades de los códigos locales.
- C. Al cortar o perforar una pared o un cielorraso, no dañe el cableado eléctrico y de otros servicios ocultos.
- D. Los ventiladores con conducto siempre deben contar con ventilación hacia el exterior.

▲ADVERTENCIA A FIN DE REDUCIR EL RIESGO DE INCENDIOS, USE SÓLO CONDUCTOS DE METAL.

▲ADVERTENCIA Desconecte toda la corriente eléctrica del disyuntor principal o de la caja de fusibles antes de la instalación.

Preparación para la instalación

REQUISITOS PARA LA INSTALACIÓN DE LOS DUCTOS

⚠️ ADVERTENCIA A FIN DE REDUCIR EL RIESGO DE INCENDIOS, USE SÓLO CONDUCTOS DE METAL.

NOTA: Lea las secciones de la instalación de los ductos únicamente si no tiene una instalación de ductos existente. Si tiene una instalación de ductos existente, siga con la sección "Daños."

El sistema de ventilación debe tener salida al exterior.

Esta campana se puede ventilar verticalmente a través de los gabinetes superiores u horizontalmente a través de una pared exterior. La instalación de los ductos no está incluida.

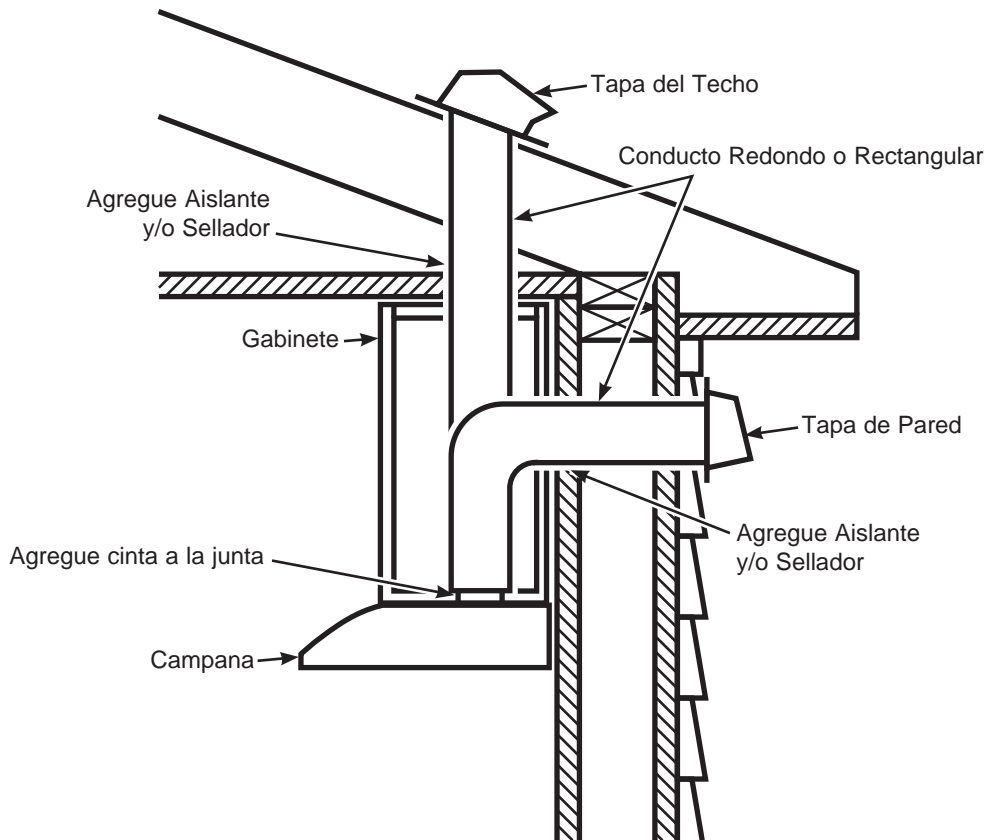
Conexión del escape

Esta campana fue diseñada para ser ventilada de forma vertical usando un conducto redondeado de 7" o un conducto rectangular de 3 ¼" x 10", o de forma horizontal usando un conducto rectangular de 3 ¼" x 10". **No use un ducto con diámetro inferior a 7".**

Longitud del Conducto

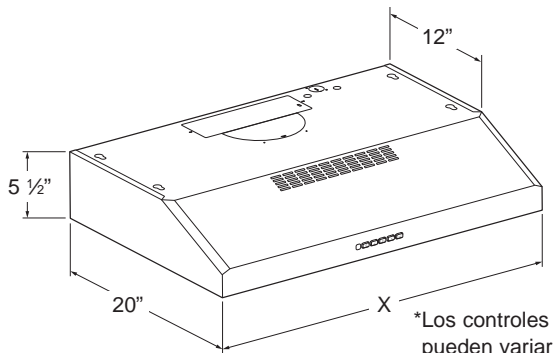
El conducto de este ventilador, que llega hasta la parte exterior del edificio, produce un efecto potente sobre el flujo de aire, ruido y uso de la energía del ventilador. Use el recorrido más corto y directo posible del conducto para un mejor funcionamiento, y evite instalar el ventilador con conductos más pequeños que el recomendado. El aislante alrededor de los conductos puede reducir la pérdida de energía e inhibir la producción de moho. Es posible que los ventiladores instalados con conductos existentes no alcancen su capacidad de producción de flujo de aire.

AISLANTE Y/O SELLADOR ALREDEDOR DE LOS CONDUCTOS

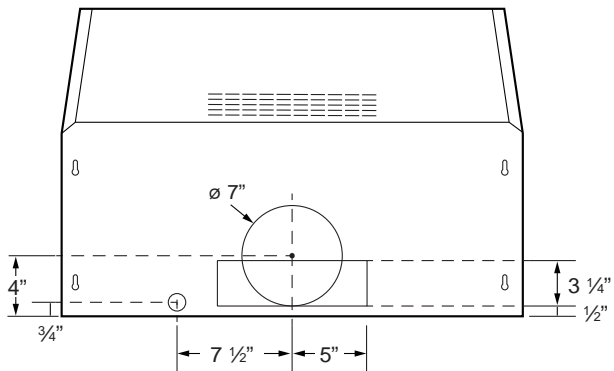


Preparación para la instalación

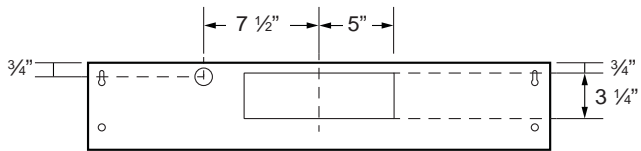
DIMENSIONES DEL PRODUCTO



Tamaño	X
24"	23 15/16"
30"	29 15/16"
36"	35 15/16"

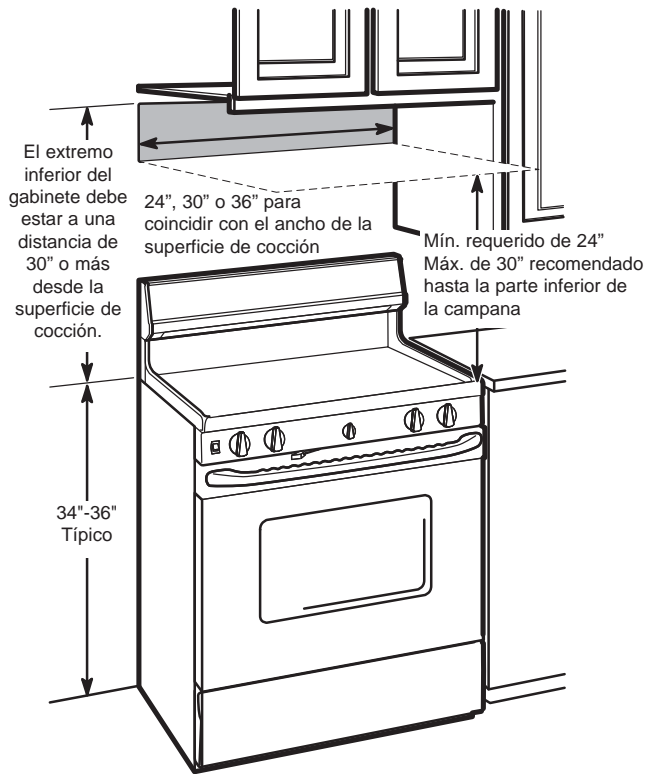


Vista Superior



Vista Trasera

ESPACIO DE MONTAJE

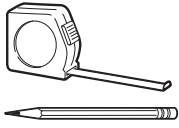


NOTAS:

- El ancho de la campana puede ser mayor que el ancho de la cocina o de la superficie de cocción, pero no puede ser más pequeño.
- La altura de instalación debe medirse desde la superficie de cocción hasta la parte más baja de la campana. Esta campana debe ser instalada en el gabinete. Puede contar con ventilación hacia el exterior, o puede ser instalada para un funcionamiento con recirculación.

Preparación para la instalación

HERRAMIENTAS Y MATERIALES REQUERIDOS (NO SUMINISTRADOS)



Lápiz y cinta métrica



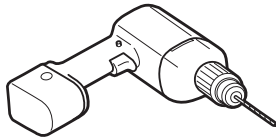
Gafas de seguridad



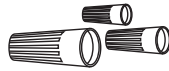
Nivel



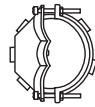
Alicate pelacables



Broca eléctrica con Phillips N° 2 de cabeza plana y broca de 9/32"



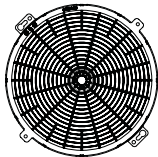
Tapones de alambre aprobados por UL



Alivio de tensión para la caja de conexiones



Destornillador buscapolos de 10, 15, 20



Filtro de Carbón (requerido para algunos modelos en modo de recirculación)



Cinta aislante de aluminio

PLAN DE INSTALACIÓN

⚠ PRECAUCIÓN A fin de reducir riesgos de incendios y para que el aire salga de forma apropiada, asegúrese de que el aire sea conducido hacia fuera - No ventile el aire de la salida hacia espacios dentro de paredes o cielorrasos o áticos, espacios muy bajos o garajes.

PIEZAS PROVISTAS PARA LA INSTALACIÓN

- 1 Paquete de Herramientas
- 1 Paquete Escrito
- 1 Pieza Deflectora del Modo de Ventilación

PIEZAS NECESARIAS PARA LA INSTALACIÓN

- 1 Amortiguador de Refuerzo
- Cable de Suministro de Corriente
- Una Tapa de Pared o Techo (para ventilación con conducto únicamente)
- Toda la Tubería Metálica (para ventilación con conducto únicamente)

NOTA: Esta campana puede ser instalada con conducto o con recirculación. En una aplicación con conducto, esta campana puede ser ventilada a través de la pared o del cielorraso. Al ser instalada por recirculación, la campana de la cocina ventila hacia fuera del frente de la campana.

NOTA: Antes de realizar cualquier corte o agujero para la instalación, determine qué método de ventilación será usado y con cuidado calcule todas las medidas.

QUITE EL ENVOLTORIO

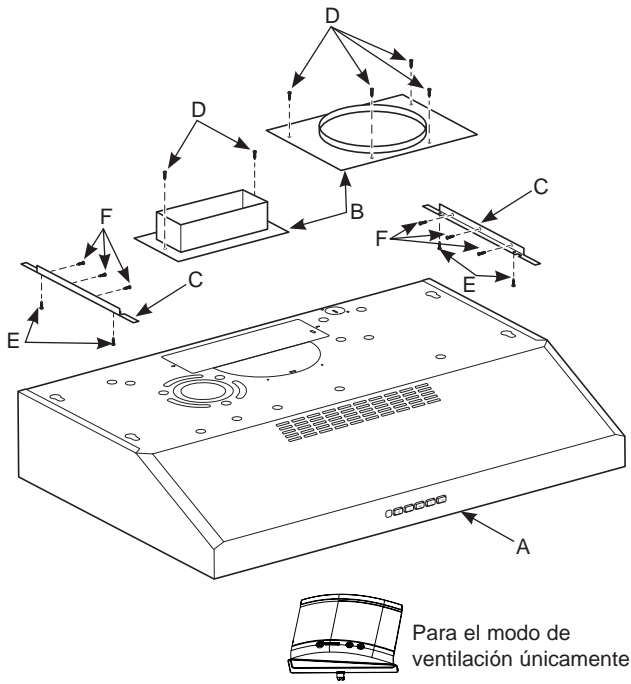
⚠ PRECAUCIÓN Se guantes para protegerse de los bordes afilados.

- Quite la bolsa de piezas, el paquete de instrucciones y otras piezas en cajas.
- Quite y descarte adecuadamente el envoltorio plástico de protección y otros materiales de empaque.

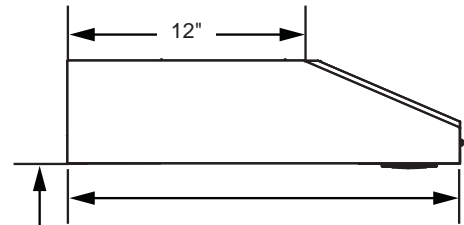
Preparación para la instalación

COMPONENTES DE LA CAMPANA EXTRACTORA

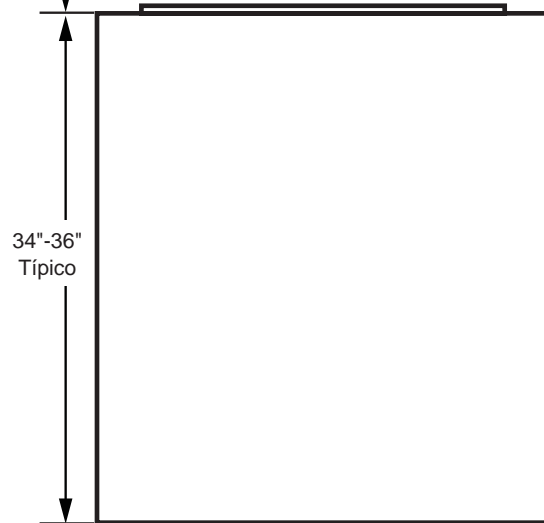
- A. Cuerpo de la Campana
- B. Regulador/ Conector del Conducto
- C. Soporte del Montaje
- D. Tornillos (4)
- E. Tornillos (4)
- F. Tornillos (6)



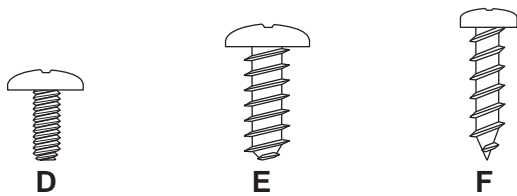
DIMENSIONES DE INSTALACIÓN



X = Distancia desde la campana hasta la superficie de cocción (varía dependiendo de la instalación)
 Mín. Requerido = 24"
 Máx. Recomendado = 30"



COMPONENTES DE LAS HERRAMIENTAS



Preparación para la instalación

PLANIFICACIÓN PREVIA

Planificación para Instalación con Ventilación

- Esta campana fue diseñada para ser ventilada de forma horizontal usando un conducto circular de 7" o un conducto rectangular de 3 ¼" x 10" o de forma horizontal usando un conducto rectangular de 3 ¼" x 10".
- Determine la ubicación exacta de la campana de ventilación.
- Planifique el recorrido de la salida de ventilación hacia el exterior. A fin de maximizar el rendimiento de la ventilación del sistema de ventilación:
 1. Minimice la longitud del conducto y el número de transiciones y codos.
 2. Mantenga un tamaño de conducto constante.
 3. Selle todas las juntas con cinta para conductos a fin de evitar pérdidas.
 4. No utilice conductos flexibles de ningún tipo.
- Instale una tapa de pared o una tapa de techo en la abertura externa. Solicite por adelantado la cubierta de pared o el casquete de techo y cualquier transición o longitud de conducto necesarios.
- Cuando corresponda, instale un sistema de reposición (reemplazo) de aire de acuerdo con los requisitos del código local de construcción. Para acceder a soluciones de aire disponibles, visite GEAppliances.com.

Planificación de Instalación con Recirculación

Esta campana podrá ser instalada en el modo de recirculación y es enviada en esta configuración. El filtro de carbón es necesario para una instalación con recirculación.

Es posible que esta parte deba ser ordenada en forma aparte, dependiendo del modelo.

Planificación del Suministro de Corriente

La ubicación de la conexión del suministro de corriente es indicada en la sección de **Preparación Eléctrica y de la Ventilación** en la página 15.

SUMINISTRO DE ENERGÍA

IMPORTANTE – (Tenga a bien leer cuidadosamente)

⚠ADVERTENCIA

PARA SEGURIDAD PERSONAL, ESTE APARATO DEBE CONECTARSE A TIERRA DE MANERA ADECUADA.

Quite el fusible o abra el interruptor de circuitos antes de comenzar la instalación.

No utilice un cable de extensión o un enchufe adaptador con este artefacto. Siga los Códigos Eléctricos Nacionales o códigos y ordenanzas locales vigentes.

Suministro eléctrico

Estas campanas de ventilación deben contar con un suministro de 120V, 60Hz, deben estar conectadas a un circuito derivado individual con una adecuada conexión a tierra y deben contar con la protección de un interruptor de circuitos o un fusible con retraso de 15 o 20 amperios.

- El cableado debe ser de 2 hilos con conexión a tierra.
- Si el suministro eléctrico no cumple con los requisitos anteriores, llame a un electricista con licencia antes de continuar.
- Dirija el cableado doméstico lo más cerca posible a la ubicación de la instalación, en el cielorraso o pared trasera. Ver página 14 para más detalles.
- Conecte el cableado al cableado doméstico en cumplimiento con los códigos locales.

Instrucciones de conexión a tierra

El conductor a tierra debe conectarse a un metal con conexión a tierra, un sistema de cableado permanente o una terminal o conductor de conexión a tierra del equipamiento en la campana.

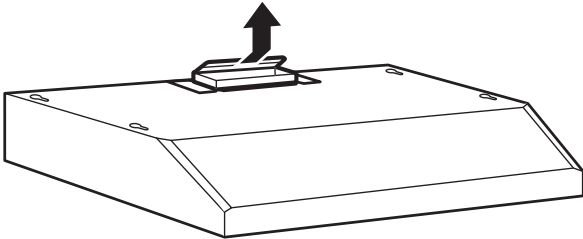
⚠ADVERTENCIA

Una conexión inadecuada del conductor de conexión a tierra del equipamiento puede provocar un riesgo de descarga eléctrica. Consulte a un electricista calificado o representante de servicio técnico si tiene dudas sobre la correcta conexión a tierra del artefacto.

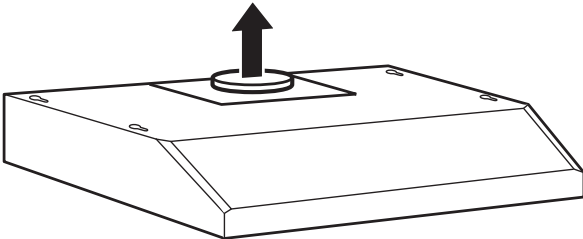
Preparación para la instalación

1 SELECCIONE LA OPCIÓN DE VENTILACIÓN QUE SU INSTALACIÓN REQUERIRÁ (A-D)

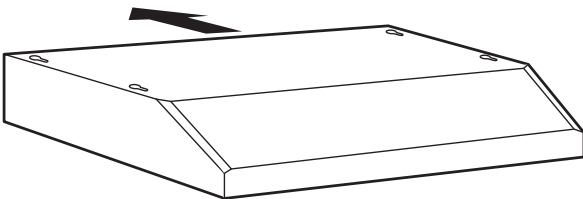
A Escape superior exterior
(Ducto vertical—3 1/4" x 10" rectangular)



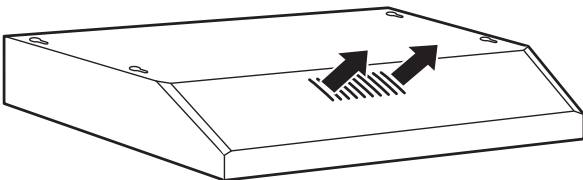
B Escape superior exterior
(Ducto vertical—7" circular)



C Escape posterior exterior
(Ducto horizontal—3 1/4" x 10" rectangular)

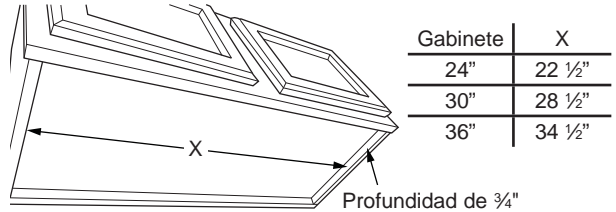


D Recirculante
(La unidad es configurada de fábrica en este modo)



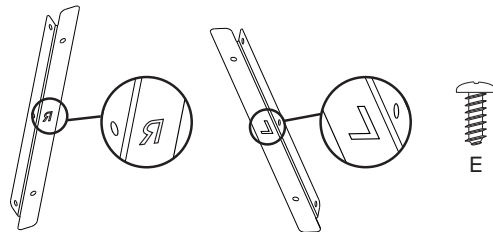
2 PREPARACIÓN PARA EL MONTAJE

Para los gabinetes con dimensiones inferiores, el soporte de montaje podrá ser usado para cualquier modelo. De otro modo, la campana deberá ser montada directamente en la parte inferior del gabinete. Es posible que sean necesarias cuñas de madera para gabinetes con la parte inferior empotrada. Avance al paso B.

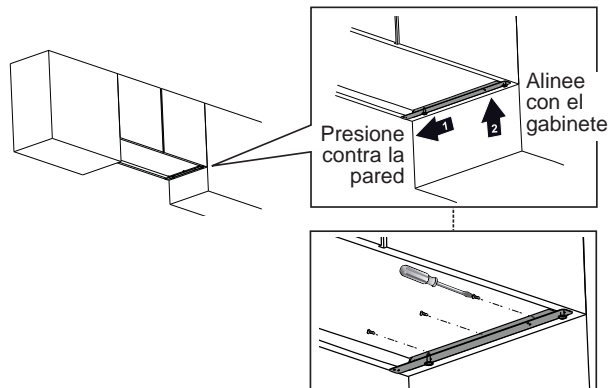


A Para instalar el soporte de montaje

Coloque los tornillos (E) hasta la mitad en el soporte de montaje. El soporte con la etiqueta "R" será usado del lado derecho del gabinete y el soporte con la etiqueta "L" será usado del lado izquierdo del gabinete.



Debajo del gabinete donde está colocando la campana de la cocina, adhiera el soporte de montaje como se muestra a continuación con los tornillos (F). Asegúrese de que la orientación sea correcta. Los soportes deberán ser colocados contra la pared trasera y estar alineados con la parte inferior del gabinete.



NOTA: Repita del lado izquierdo.

Preparación para la instalación

2 PREPARACIÓN DEL MONTAJE (Cont.)

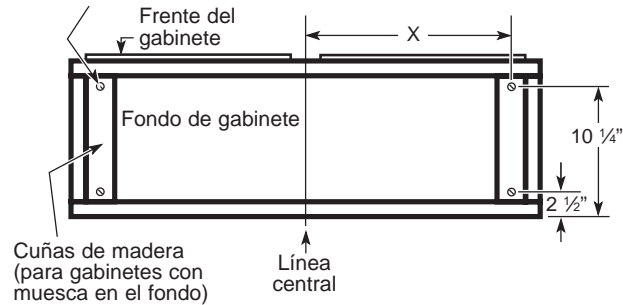
B Para instalar la parte inferior del gabinete

Use el diagrama o la campana como plantilla y marque las ubicaciones sobre el gabinete para los tornillos de la cerradura.

Coloque los 4 tornillos (F) hasta la mitad en la parte inferior del gabinete (o las cuñas de madera).

Gabinete	X
24"	10 3/4"
30"	13 3/4"
36"	16 3/4"

Tornillos para instalar la campana (4)

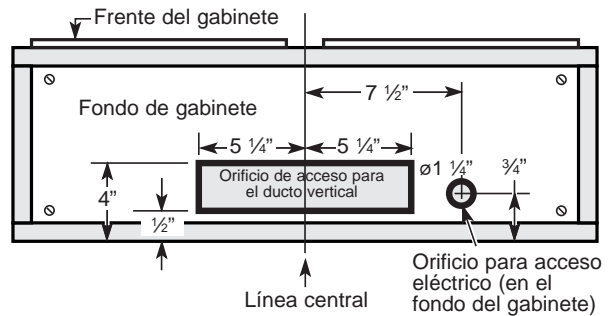


3 PREPARACIÓN PARA LA ELECTRICIDAD Y LA VENTILACIÓN

Seleccione la opción de ventilación que su instalación requiere y siga con esa sección:

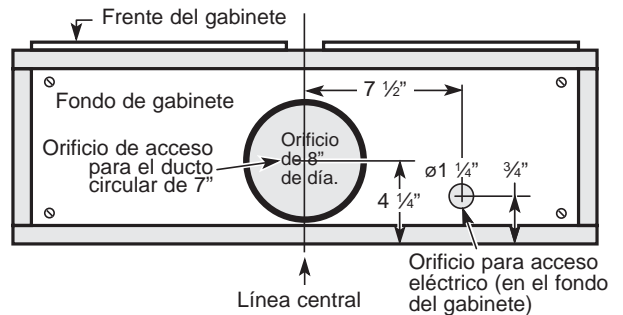
A Escape superior exterior (ducto vertical rectangular-3 1/4" x 10")

- Use el diagrama como plantilla y marque las ubicaciones del gabinete para el conducto y el cableado eléctrico.



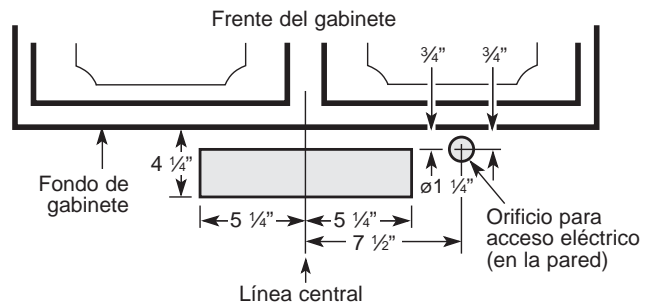
B Escape superior exterior (ducto vertical circular-7")

- Use el diagrama como plantilla y marque las ubicaciones del gabinete para el conducto y el cableado eléctrico.



C Escape posterior exterior (ducto horizontal rectangular-3 1/4" x 10")

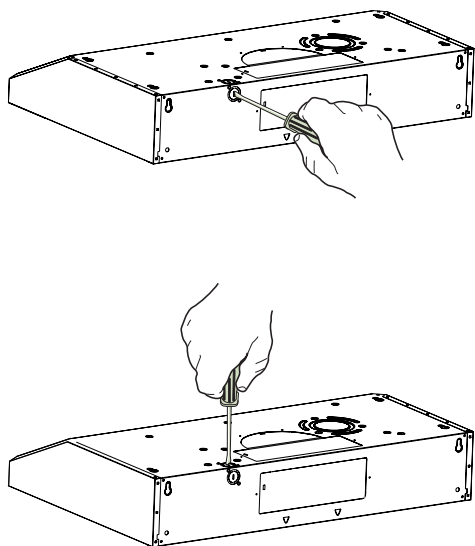
- Use el diagrama como plantilla y marque las ubicaciones del gabinete para el conducto y el cableado eléctrico.



Preparación para la instalación

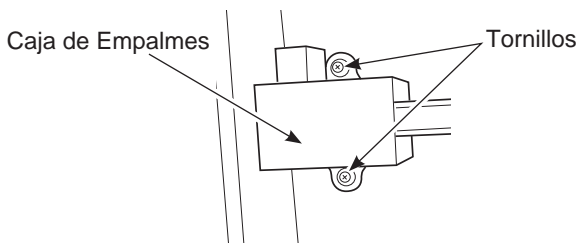
4 RETIRO DE LOS TABLEROS ELÉCTRICOS

Utilizando un destornillador de punta plana, retire el tablero eléctrico apropiado de la parte trasera o superior de la campana.



5 RETIRO DE LA CAJA DE EMPALMES

Retire la caja de empalmes de la parte interna de la campana. Deje la caja de empalmes y los tornillos de montaje a un costado.

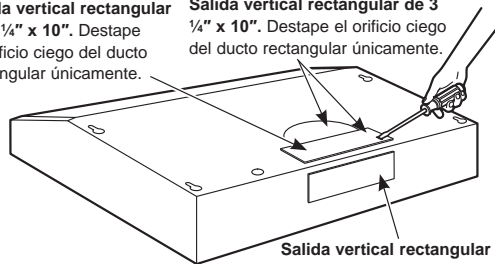


6 RETIRO DEL TABLERO(S) DEL CONDUCTO PARA LA INSTALACIÓN CON VENTILACIÓN

Determine qué opción de conducto usará. Con un destornillador de cabeza plana, destape el(los) **orificio(s) ciego(s) del ducto** correspondiente(s) de la parte superior o posterior de la campana.

Salida vertical rectangular de 3 1/4" x 10". Destape el orificio ciego del ducto rectangular únicamente.

Salida vertical rectangular de 3 1/4" x 10". Destape el orificio ciego del ducto rectangular únicamente.



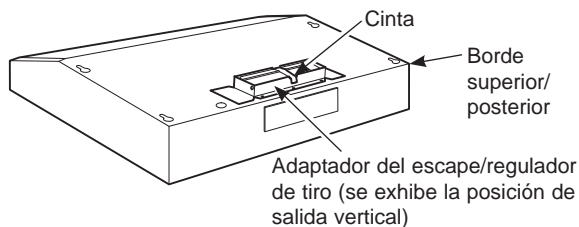
Salida vertical rectangular de 3 1/4" x 10". Destape el orificio ciego del ducto rectangular únicamente.

NOTA: Si la campana será instalada en una recirculación, sin conducto ni ventilación, no retire ningún tablero de ventilación.

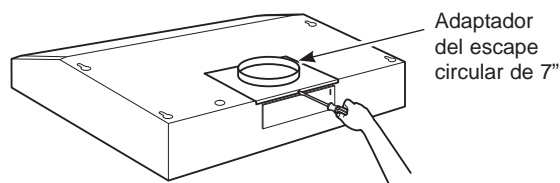
NOTA: Para un modelo de ENERGY STAR®, la unidad deberá contar con el modo de ventilación para que se considere certificada por ENERGY STAR®.

7 ADHERENCIA DEL REGULADOR/ CONECTOR DEL CONDUCTO

Adhiera el **regulador/ conector del conducto** a la abertura de la placa con dos o cuatro tornillos (D). Asegúrese de que el **pivote** del regulador esté lo más cerca posible del **extremo superior/ inferior** de la campana. Retire cualquier cinta de embalaje para permitir que el regulador se mueva libremente.



Conducto Rectangular



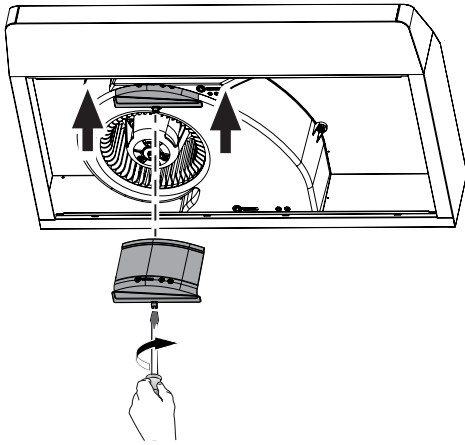
Conducto Circular

Preparación para la instalación

8 PARA INSTALACIONES CON VENTILACIÓN

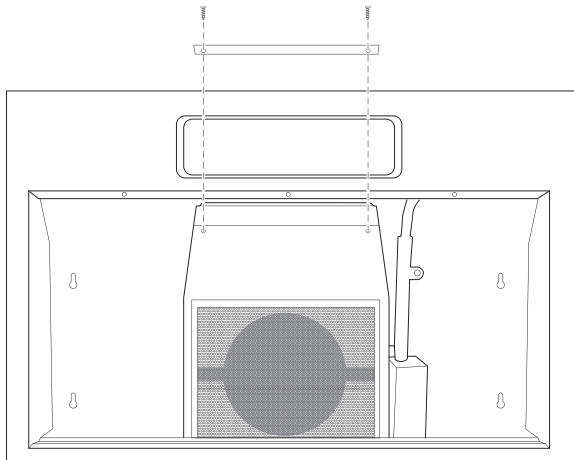
En Algunos Modelos:

Instale con la pieza del deflector del modo de ventilación.



En Algunos Modelos:

Instale con la pieza del deflector del modo de ventilación.

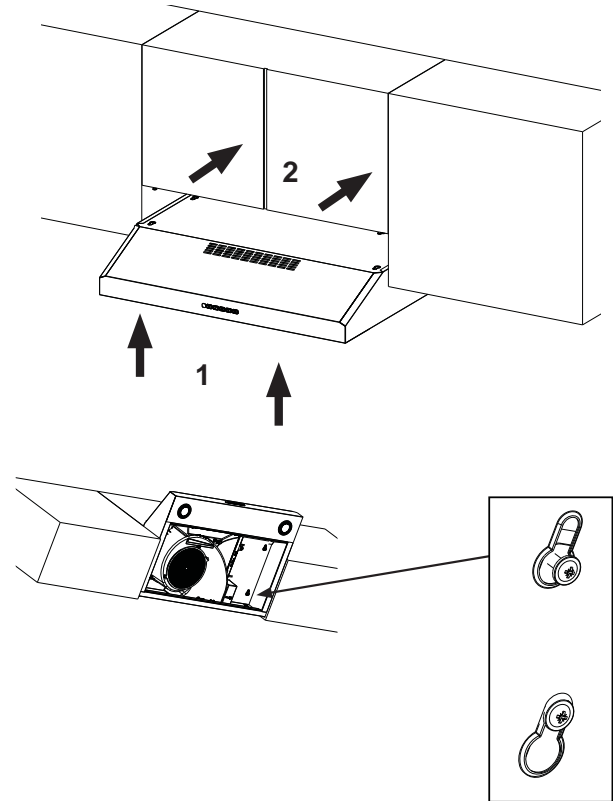


9 CABLES DE ALIMENTACIÓN

Levante la campana hasta su posición y alimente el cableado del hogar a través de la abertura del cableado.

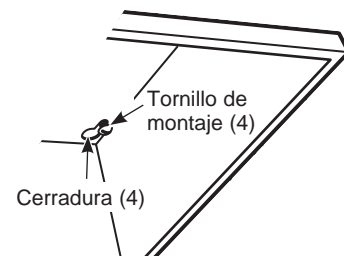
10 MONTE EL UTC

Coloque la campana en los tornillos parcialmente instalados, usando las ranuras y vuelva a deslizar la campana hasta su posición.



11 ASEGURE LA CAMPANA

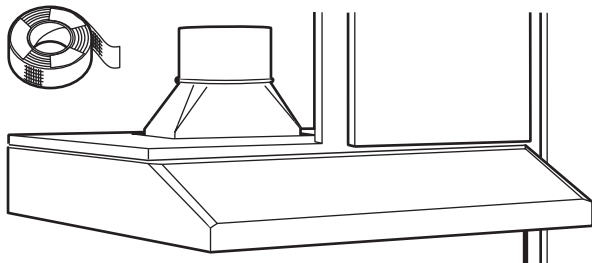
Asegúrese de que las cabezas de los tornillos estén en el cuello estrecho de la ranura de la cerradura.



Instrucciones de instalación

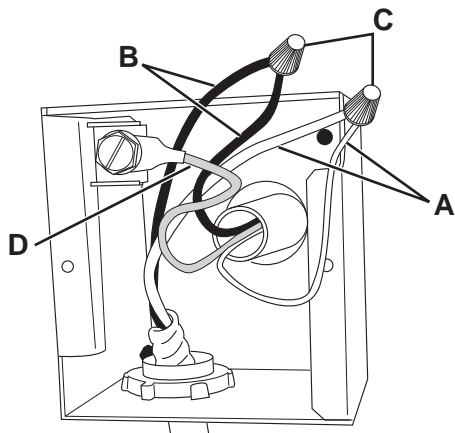
12 CONECTE LA TUBERÍA A LA CAMPANA (Sólo para instalaciones con tubería)

Conecte el conducto a la campana. Use la cinta para tuberías a fin de hacer que las juntas queden seguras y herméticas.



13 CONEXIÓN ELÉCTRICA

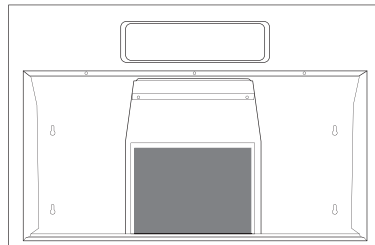
1. Conecte el Cable de Suministro de Corriente a la campana extractora. Conecte el conductor **blanco** del suministro de corriente al conductor **blanco** de la campana extractora (**A**) con una tuerca para cable (**C**). Conecte el conductor **negro** del suministro de corriente al conductor **negro** de la campana extractora (**B**) con una tuerca para cable (**C**). Conecte el cable a tierra **verde** (**D**) debajo del tornillo de conexión a tierra verde.
2. Reemplace la tapa de la caja de empalmes.



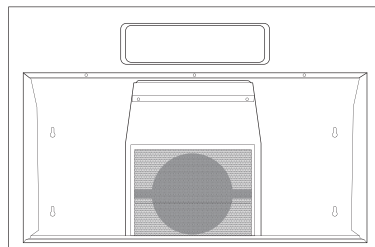
14 FINALICE LA INSTALACIÓN

En Algunos Modelos:

1. **Para la recirculación:** Instale el filtro de carbón.

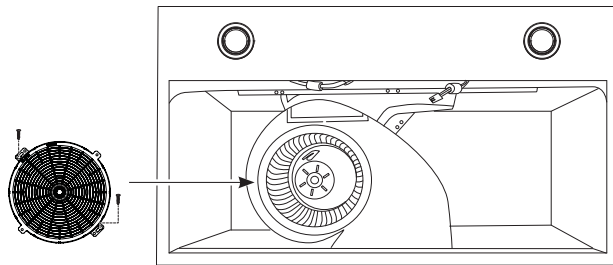


2. **Para la instalación con conducto:** Instale los filtros de grasa.

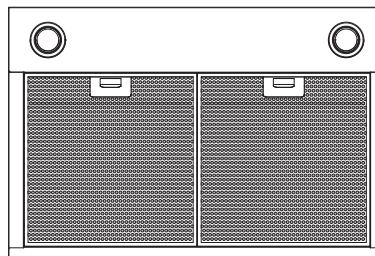


En Algunos Modelos:

1. **Para la recirculación:** Coloque el filtro de carbón (no incluido) en su posición y monte el mismo usando 2 tornillos. Reemplace los filtros de grasa.



2. **Para la instalación con ventilación:** Instale los filtros de grasa.



Consejos para la Solución de Problemas... Antes de solicitar el servicio técnico

¡Ahorre tiempo y dinero! Primero revise los cuadros que aparecen en las siguientes páginas y es posible que no necesite solicitar reparaciones.

Problema	Causas posibles	Qué hacer
El ventilador/la luz no funcionan cuando se presionan los botones	El fusible puede haberse quemado o el interruptor decircuitos puede haber saltado.	Cambie los fusibles o reconfigure el interruptor de circuitos.
El ventilador no funciona cuando los botones Lo (Bajo), Med (medio) y Hi (Alto) son presionados.	El conector del ventilador está suelto o no se encuentra enchufado dentro de su conector correspondiente.	Desconecte la electricidad hacia la unidad. Quite los filtros y observe el ventilador. Si el enchufe del conector del ventilador está suelto o si ve el conector colgando, el instalador no lo enchufó firmemente. Consulte el mini manual para conocer la ubicación del enchufe y cómo enchufar el conector.
Ruido de flujo de aire muy elevado o anormal	Tamaño de conducto incorrecto utilizado en la instalación.	Esta campana requiere un conducto de 7" o 3" x 10" para un rendimiento óptimo. El uso de un conducto más pequeño hará que la ventilación se reduzca. Minimice la longitud del conducto y el número de transiciones y codos. Los técnicos de GE no pueden corregir este problema si hay una instalación inadecuada.
El ventilador no hace circular aire o desplaza desplaza el aire más despacio que lo normal y/o hace ruido de flujo de aire elevado o anormal	Obstrucciones en el conducto.	Verifique que no haya obstrucciones en la ventilación. Controle que la cubierta de pared o casquete de techo tengan una hoja o puerta.
	El filtro de grasa metálico y el filtro de carbón (si lo hubiera) pueden estar sucios.	Asegúrese de que el regulador de tiro se mueva libremente. Las hojas del regulador de tiro pueden darse vuelta y no se abrirán por completo cuando esto suceda. Ajustela con la posición original.
	Es posible que el filtro de grasa metálico y el filtro de carbón (de estar presentes) estén sucios.	Limpie el filtro de grasa metálico y vuelva a colocar el filtro de carbón (si lo hubiera). Ver Cuidado y limpieza de la campana de ventilación.
	Insuficiente reposición (reemplazo) de aire	Se requiere suficiente reposición (reemplazo) de aire para que los artefactos con salida de aire funcionen de acuerdo con sus calificaciones energéticas. Controle los códigos locales de construcción, que podrán requerir o aconsejar enfáticamente el uso de reposición de aire. Para acceder soluciones de aire disponibles, visite GEAppliances.com .
Los controles de la campana no funcionan correctamente	Error en el circuito lógico.	Desconecte la electricidad de la campana reconfigurando el interruptor de circuitos. Espere 30 segundos para que los controles vuelvan a configurarse.
Falla temprana de la lámpara	El voltaje de la lámpara es demasiado alto.	Reemplace la misma por una con el voltaje correcto.
El ventilador está permanentemente iniciando y terminando un ciclo	Probablemente el motor esté sobrecalentado y se apaga solo. Esto puede ser dañino para el motor. Quizás el filtro esté demasiado sucio.	Limpie el filtro de grasa metálico y vuelva a colocar el filtro de carbón (si lo hubiera). Ver Cuidado y limpieza de la campana de ventilación.

Garantía de la Cocina Eléctrica de GE Appliances

GARANTÍA

GEAppliances.com

Todo el servicio de garantía es provisto por nuestros Centros de Servicio de Fabricación, o un técnico autorizado de Customer Care®. Para programar una visita del servicio técnico a través de Internet, visítenos en www.geappliances.com/service_and_support/, o llame al 800.GE.CARES (800.432.2737). Cuando llame para solicitar el servicio, tenga los números de serie y modelo disponibles.

Para realizar el servicio técnico de su electrodoméstico, se podrá requerir el uso de datos del puerto de abordaje para su diagnóstico. Esto da al técnico del servicio de fábrica de GE Appliances la habilidad de diagnosticar de forma rápida cualquier problema con su electrodoméstico, y de ayudar a GE Appliances a mejorar sus productos al brindarle a GE Appliances la información sobre su electrodoméstico. Si no desea que los datos de su electrodoméstico sean enviados a GE Appliances, solicitamos que le indique a su técnico no entregar los datos a GE Appliances en el momento del servicio.

Por el Período de	GE Appliances reemplazará
Un Año Desde la fecha de la compra original	Cualquier pieza del producto de cocción que falle debido a un defecto en los materiales o la fabricación. Durante esta garantía limitada de un año , GE Appliances también proveerá, sin costo , todo el trabajo y costos del servicio relacionados con el reemplazo de la pieza defectuosa.

Qué no cubrirá GE Appliances:

- Viajes del técnico del servicio a su hogar para enseñarle sobre cómo usar el producto.
- Instalación, entrega o mantenimiento inadecuados.
- Fallas del producto en caso de abuso, mal uso, modificación o uso para propósitos diferentes al original o uso comercial.
- Reemplazo de fusibles de la casa o reinicio de disyuntores.
- Daños ocasionados sobre el producto por accidente, incendio, inundaciones o catástrofes naturales.
- Daños incidentales o consecuentes causados por posibles defectos sobre este producto.
- Daños sobre el acabado, tales como óxido sobre la superficie, deslustres o manchas pequeñas no informadas dentro de las 48 horas luego de la entrega.
- Daño causado después de la entrega.
- Producto no accesible para brindar el servicio requerido.
- Marcas o manchas (incluyendo manchas de óxido sobre la superficie) que pueden ser eliminadas siguiendo las instrucciones de limpieza.
- Solicite el servicio técnico para reparar o reemplazar las lámparas, excepto las lámparas LED.

EXCLUSIÓN DE GARANTÍAS IMPLÍCITAS

Su única y exclusiva alternativa es la reparación del producto, como se indica en la Garantía Limitada. Las garantías implícitas, incluyendo garantías implícitas de comerciabilidad o conveniencia sobre un propósito particular, se limitan a un año o al período más corto permitido por la ley.

Esta garantía se extiende al comprador original y a cualquier dueño subsiguiente de productos comprados para uso hogareño dentro de EE.UU. Si el producto está en un área donde no se encuentra disponible un Proveedor Autorizado del Servicio Técnico de GE Appliances, usted será responsable por el costo de un viaje o se podrá requerir que traiga el producto a una ubicación del Servicio Técnico de GE Appliances autorizado para recibir el servicio. En Alaska, la garantía excluye el costo de envío o llamadas del servicio a su hogar. Algunos estados no permiten la exclusión o limitación de daños fortuitos o consecuentes. Esta garantía le da derechos legales específicos y es posible que tenga otros derechos legales que varían entre un estado y otro. Para conocer cuáles son sus derechos legales, consulte a la oficina de asuntos del consumidor local o estatal o al Fiscal de su estado.

Garante: GE Appliances

Garantías Extendidas: Adquiera una garantía extendida de GE Appliances y conozca los descuentos especiales que están disponibles mientras su garantía aún está vigente. Puede acceder a la misma a través de Internet en cualquier momento en

www.geappliances.com/service_and_support/shop-for-extended-service-plans.htm

o llamando al 800.626.2224 durante el horario comercial. Los Servicios para los GE Appliances aún estarán disponibles cuando su garantía caduque.

Abroche su recibo aquí. Para acceder al servicio técnico de acuerdo con la garantía deberá contar con la prueba de la fecha original de compra.

Accesorios

¿Busca Algo Más?

¡GE ofrece una variedad de accesorios para mejorar sus experiencias de cocción y mantenimiento!

Para acceder a números telefónicos e información de sitios Web, consulte la página de Soporte para el Consumidor.

Estos y otros productos están disponibles:

Piezas

Filtro de Carbón

Control Remoto

Lámparas de Reemplazo

Panel del Gabinete de Relleno de 15"

Suministros de Limpieza

Limpiadores de Acero Inoxidable CitriShine™

Limpiador de Electrodomésticos de Acero Inoxidable
CERAMA BRYTE®

Bar Keepers Friend Soft Cleanser™

Soporte para el Consumidor

Sitio Web de GE Appliances

¿Desea realizar una consulta o necesita ayuda con su electrodoméstico? ¡Intente a través del Sitio Web de GE Appliances las 24 horas del día, cualquier día del año! Usted también puede comprar más electrodomésticos maravillosos de GE Appliances y aprovechar todos nuestros servicios de soporte a través de Internet, diseñados para su conveniencia.

En EE.UU.: GEAppliances.com

Registre su Electrodoméstico

¡Registre su electrodoméstico nuevo a través de Internet, según su conveniencia! Un registro puntual de su producto permitirá una mejor comunicación y un servicio más puntual de acuerdo con los términos de su garantía, en caso de surgir la necesidad. También puede enviar una carta en la tarjeta de inscripción preimpresa que se incluye con el material embalado.

En EE.UU.: GEAppliances.com/register

Servicio Programado

El servicio de reparación de expertos de GE Appliances está a sólo un paso de su puerta. Conéctese a través de Internet y programe su servicio a su conveniencia cualquier día del año. En EE.UU.: GEAppliances.com/ge/service-and-support/service.htm o comuníquese al 800.432.2737 durante el horario de atención comercial.

Garantías Extendidas

Adquiera una garantía extendida de GE Appliances y conozca los descuentos especiales que están disponibles mientras su garantía aún está vigente. La puede adquirir en cualquier momento a través de Internet. Los servicios de GE Appliances aún estarán allí cuando su garantía caduque.

En EE.UU.: GEAppliances.com/ge/service-and-support/shop-for-extended-service-plans.htm

o comuníquese al 800.626.2224 durante el horario de atención comercial.

Conectividad Remota

Para solicitar asistencia para la conectividad de red inalámbrica (para modelos con acceso remoto), visite nuestro sitio web en GEAppliances.com/ge/connected-appliances/ o comuníquese al 800.220.6899 en EE.UU.

Piezas y Accesorios

Aquellos individuos calificados para realizar el servicio técnico de sus propios electrodomésticos podrán solicitar el envío de piezas o accesorios directamente a sus hogares (se aceptan las tarjetas VISA, MasterCard y Discover). Ordene hoy a través de Internet durante las 24 horas, todos los días. En EE.UU.: GEApplianceparts.com o de forma telefónica al 877.959.8688 durante el horario de atención comercial.

Las instrucciones que figuran en este manual cubren los procedimientos que serán realizados por cualquier usuario. Otros servicios técnicos generalmente deben ser derivados a personal calificado del servicio. Se deberá tener cuidado, ya que una reparación indebida podrá hacer que el funcionamiento no sea seguro.

Contáctenos

Si no se encuentra satisfecho con el servicio que recibió de GE Appliances, comuníquese con nosotros a través de nuestro sitio Web con todos los detalles, incluyendo su número telefónico, o escriba a:

En EE.UU.: General Manager, Customer Relations | GE Appliances, Appliance Park | Louisville, KY 40225

GEAppliances.com/ge/service-and-support/contact.htm