



OVERALL DIMENSIONS

SPECIFICATIONS

Overall Width	30" (76.2)
Overall Height	10 1/2" (26.7)
Overall Depth	23 1/4" (59.0)
Drawer Capacity	1.90 cu. ft. (53.8 l)
Cut-out Width	28 1/2" (72.4)
Cut-out Height	9 1/4" (23.5)
Cut-out Depth	23 1/2" (59.7)
Power Cord Length	56" (142.2)
Electrical Rating	450W @ 120V/60Hz
Total Amps	15 Amps
Net Weight	59 lbs. (26.8 kg)
Approx. Shipping Weight	65 lbs. (29.6 kg)

OPTIONAL ACCESSORIES

Custom Panel Kit	ZXD30B
Professional Panel Kit	ZXD30P

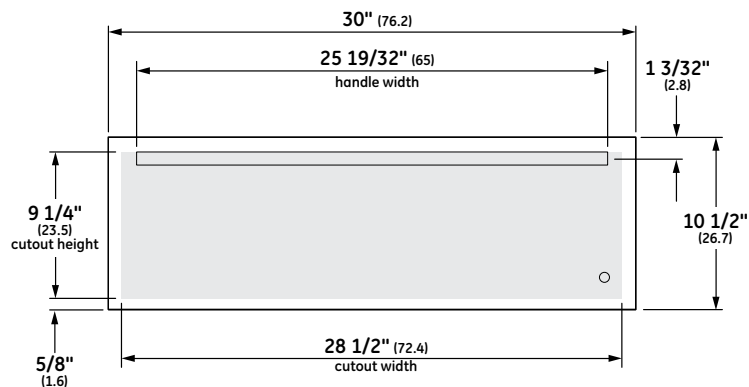
ATTENTION ELECTRICIAN:

This appliance is supplied with a 56" (142.2 cm) long electrical cord equipped with a 3-prong (grounding) plug that mates to a standard 3-prong grounding wall outlet.

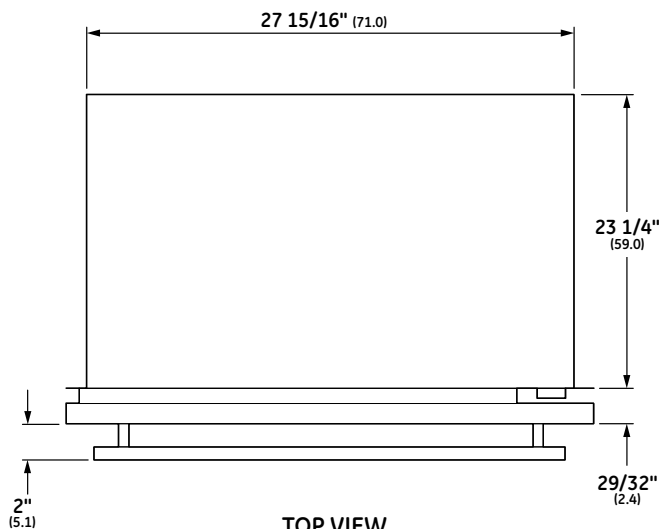
The electrical power cord is located on the right side of the warming drawer. Locate the wall outlet within easy reach of the electrical cord in an adjacent cabinet, within 42" (106.7 cm) of the right side or 16" (40.6 cm) from the left side of the cut-out. A recessed outlet can be installed on the right side of the cut-out, 7" (17.8 cm) max. from the rear of the cabinet.

DO NOT USE AN EXTENSION CORD WITH THIS PRODUCT.

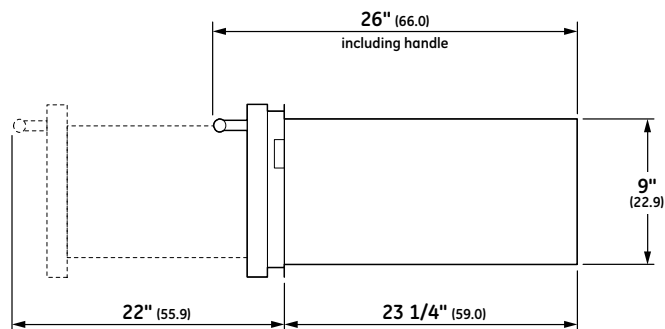
For more details refer to the installation instructions for this product.



FRONT VIEW (SHOWING CUTOUT OVERLAP)



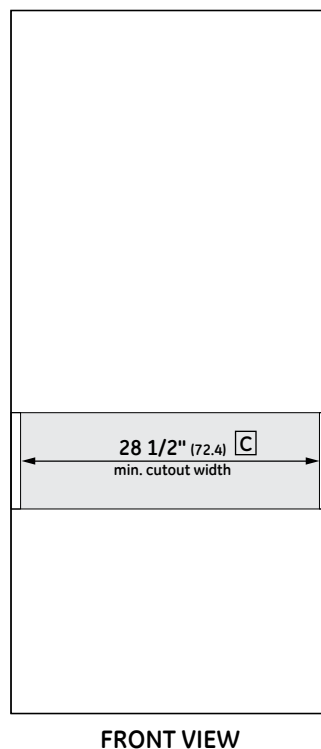
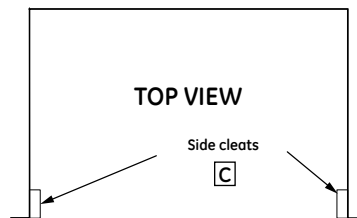
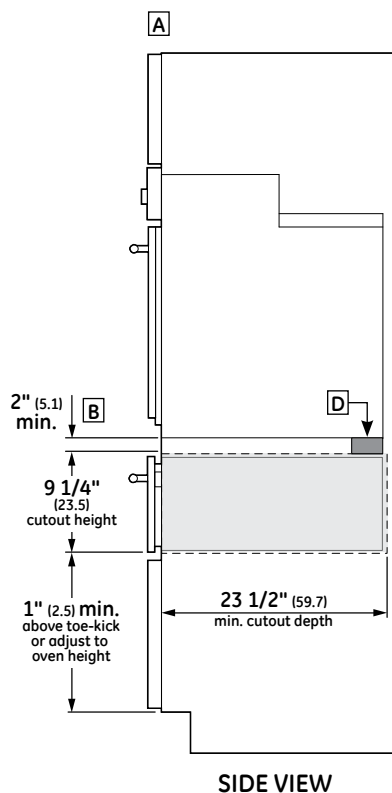
TOP VIEW



SIDE VIEW

Dimensions in parentheses are in centimeters unless otherwise noted. Actual product dimensions may vary due to manufacturing tolerances.

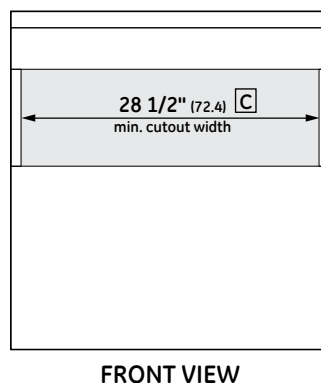
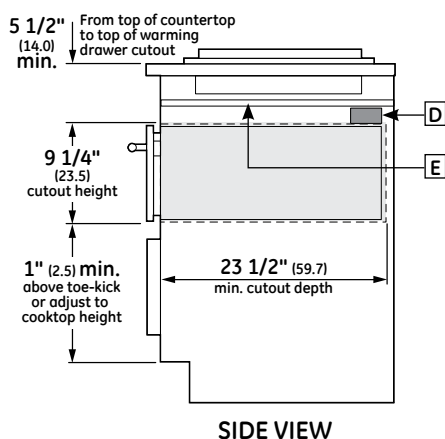
INSTALLATION BELOW SINGLE OR DOUBLE WALL OVEN



NOTES

- A** Warming drawers are approved for installation below only certain specified wall oven and cooktop models. See the label attached to the top of the warming drawer for approved combinations.
- B** Additional clearance between cut-outs may be required. Check to be sure that oven supports above the warming drawer location do not obstruct the required interior 23-1/2" depth and 9-1/4" height.
- C** If you are installing in frameless cabinets, it may be necessary to install 1/2" wide cleats to accept drawer mounting screws. See drawer for mounting screw locations.
- D** Install a 2"x2" or 2"x4" Anti-tip block against rear wall, 9" from floor of cutout to bottom of block. The anti-tip block must be installed to prevent the drawer from tipping forward when opened and loaded. Failure to add the anti-tip block could result in personal injury.

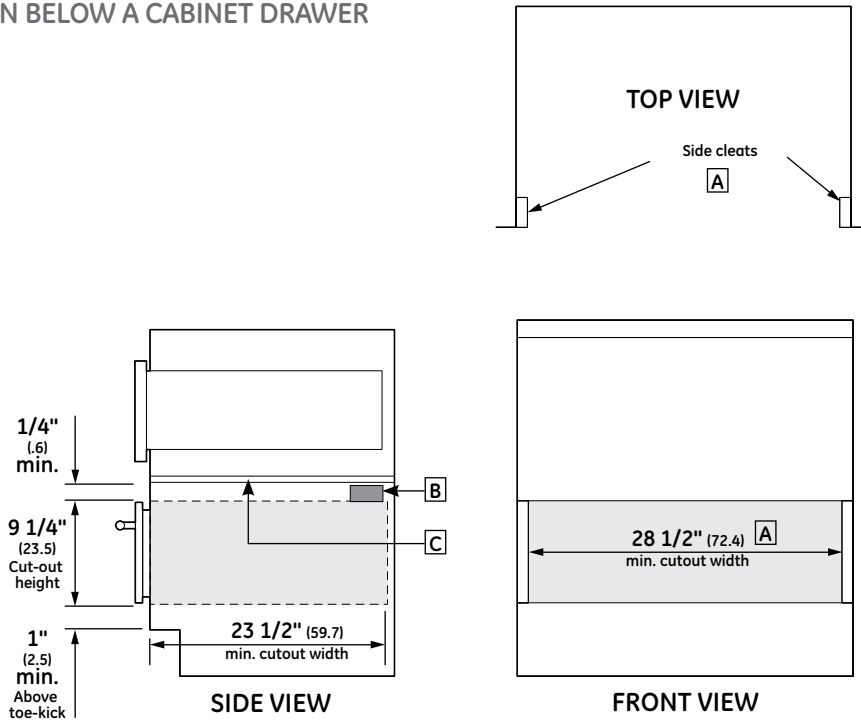
INSTALLATION BELOW COOKTOP



- E** When installing the warming drawer below a cooktop, a solid barrier must be installed at least 1" from the lowest point of the bottom of cooktop burner box to the top of the cut-out. Use any solid material such as 1/4" thick plywood. Allow at least 1/4" air gap between the barrier and the top of the warming drawer.

For more details refer to the installation instructions for this product.

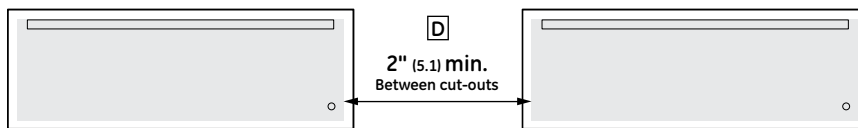
INSTALLATION BELOW A CABINET DRAWER



NOTES

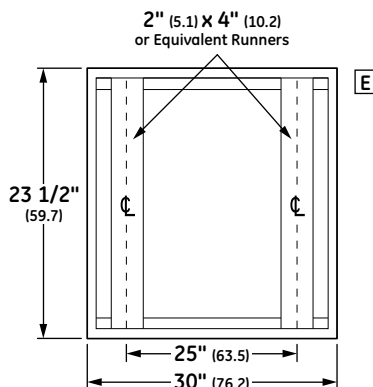
- A** If you are installing in frameless cabinets, it may be necessary to install 1/2" wide cleats to accept drawer mounting screws. See drawer for mounting screw locations.
- B** Install a 2"x2" or 2"x4" anti-tip block against rear wall, 9" from floor of cutout to bottom of block. The anti-tip block must be installed to prevent the drawer from tipping forward when opened and loaded. Failure to add the anti-tip block could result in personal injury.
- C** When installing the warming drawer below a cabinet drawer, a solid barrier must be installed at least above the warming drawer to block access. Use any solid material such as 1/4" thick plywood. Allow at least 1/4" air gap between the barrier and the top of the warming drawer. Observe the 5" min. above the floor or 1" min. above the toe kick installation height.

SIDE BY SIDE INSTALLATION

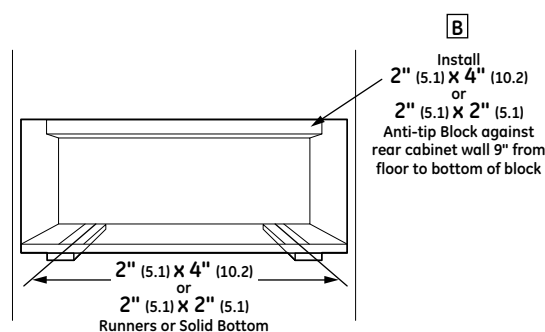


- D** When installing two warming drawers side by side, install them in separate cut-outs and allow a 2" min. gap between each cut-out.

PROVIDING CABINET SUPPORT



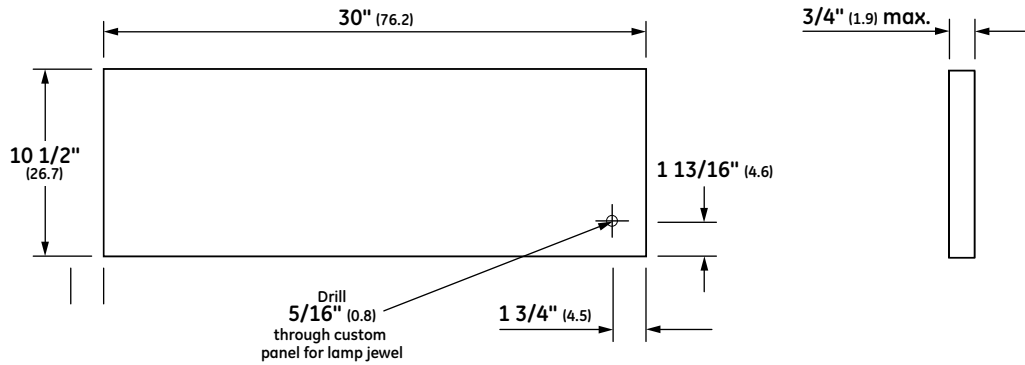
INSTALLING ANTI-TIP BLOCKS



- E** The warming drawer may be supported by either a solid bottom or 2"x2" or 2"x4" runners. The support must be level and rigidly mounted, flush with the bottom edge of the cut-out (there is no way to level the drawer once it has been installed, so make sure that the supports are level). The floor or runners must be capable of supporting at least 150 lbs.

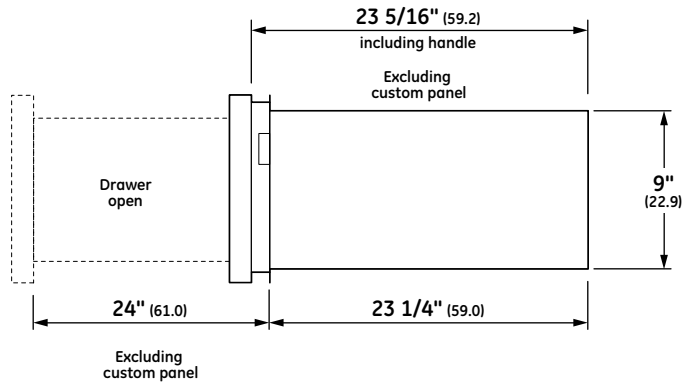
For more details refer to the installation instructions for this product.

INSTALLATION WITH CUSTOM PANEL KIT - ZXD27B



CUSTOM PANEL PREPARATION FRONT VIEW

CUSTOM PANEL PREPARATION SIDE VIEW



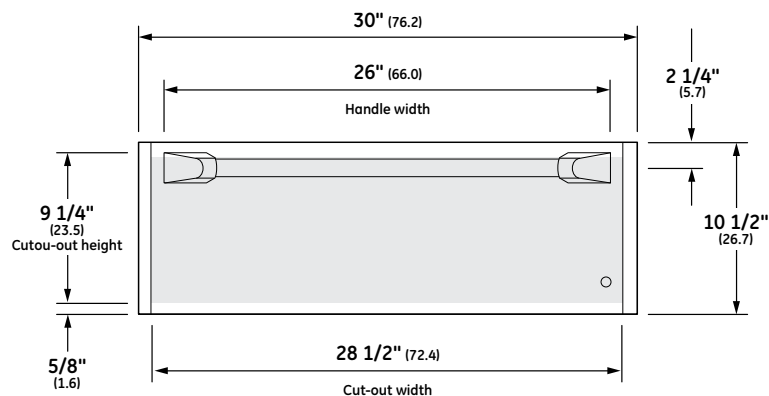
SIDE VIEW

NOTES

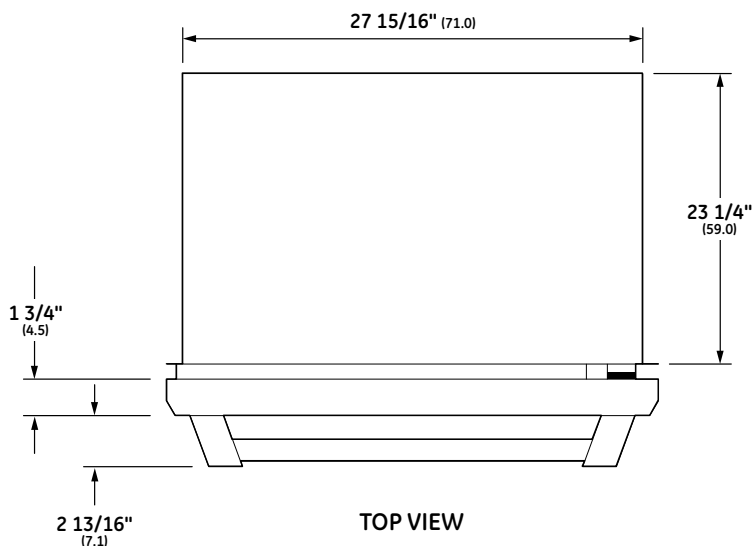
This kit contains a mounting panel to support a trim-less custom drawer front up to 3/4" thick. The original tubular handle can be reinstalled onto the custom panel with longer screws (not provided) or can be replaced with a custom handle of your choice (also not provided).

For more details refer to the installation instructions for this product.

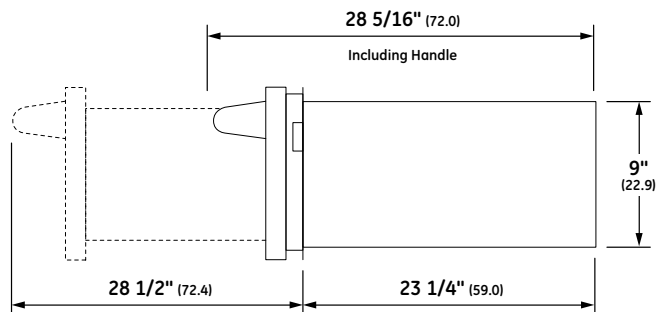
INSTALLATION WITH PROFESSIONAL STYLE PANEL KIT - ZXD30P



FRONT VIEW (SHOWING CUT-OUT OVERLAP)



TOP VIEW



SIDE VIEW

NOTES

This kit contains a mounting panel to support a trim-less custom drawer front up to 3/4" thick. The original tubular handle can be reinstalled onto the custom panel with longer screws (not provided) or can be replaced with a custom handle of your choice (also not provided).

For more details refer to the installation instructions for this product.

FEATURES AND BENEFITS

Infinite Setting Temperature Control –
75 Degrees to 230 Degrees

Variable Humidity Control – Crisp to Moist

Removable Half Rack

1.9 cu. ft capacity

Accepts 3/4" trimless custom panel and custom handle with trim kit

Full extension drawer on ball bearing glides

"On" indicator light

Accepts Optional Professional Panel Kit

Removable Stainless Steel Pan

Variable Installation Options

Hidden Controls Provide Flush Installation Appearance

On/Off Rocker Switch

