

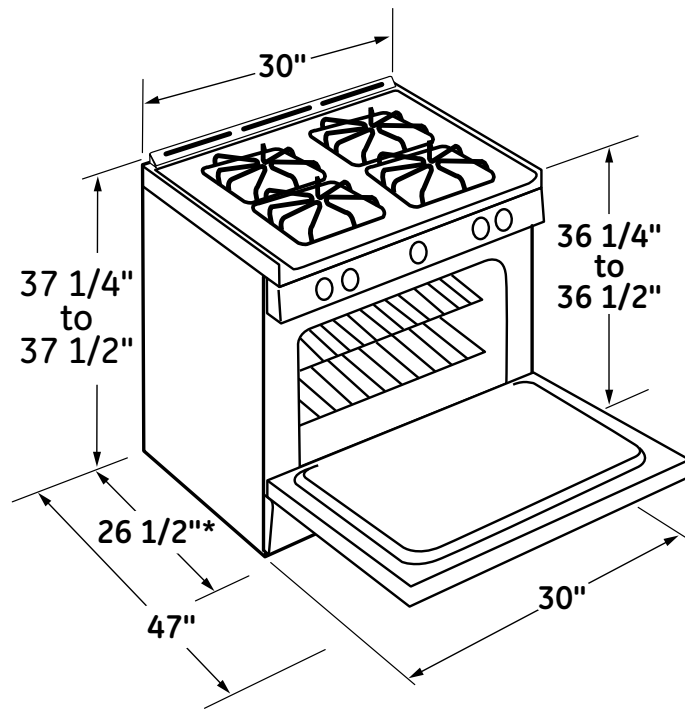
C2S985SETSS

GE Café™ Series Free-Standing Dual-Fuel Range with Baking Drawer

Dimensions and Installation Information (in inches)

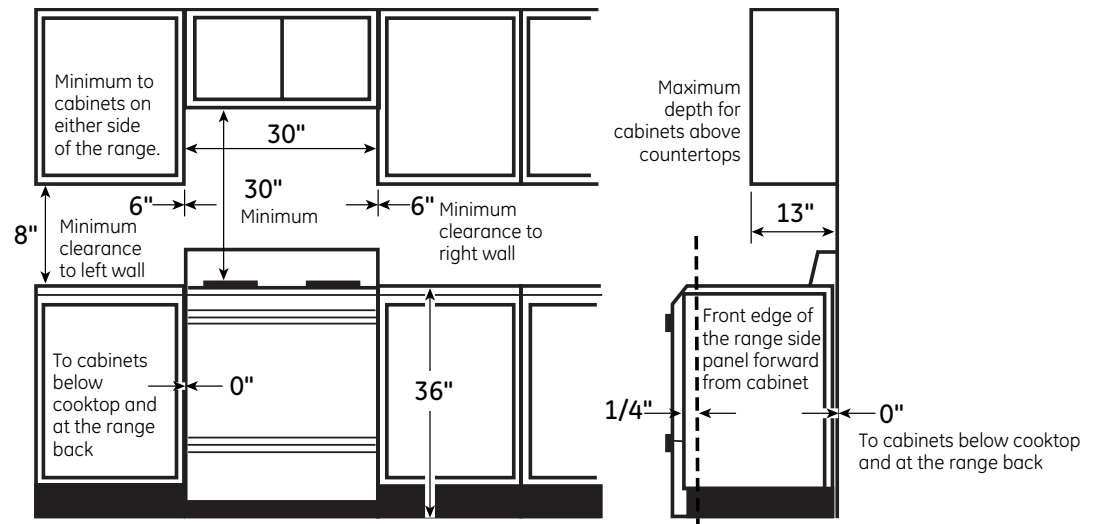
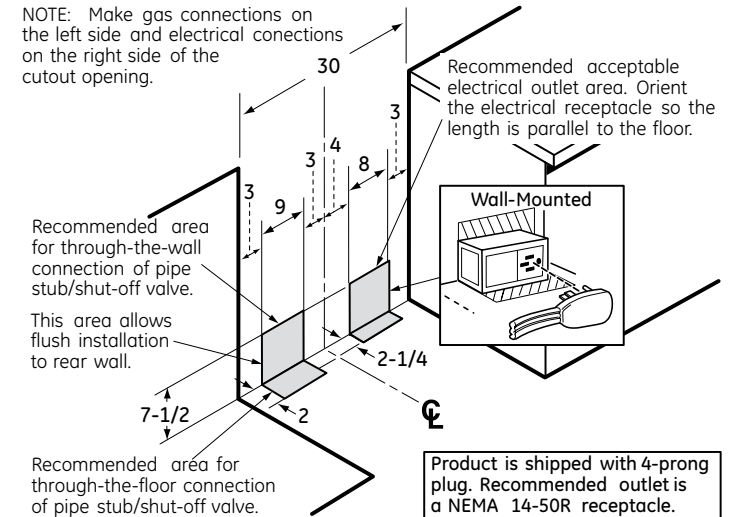
Electrical Requirements: 240v/208v; 60Hz, 40A

Installation information: Before installing, consult installation instructions packed with product for current dimensional data.



Gas Pipe and Electrical Outlet Locations

NOTE: Make gas connections on the left side and electrical connections on the right side of the cutout opening.



For answers to your Monogram® or GE® appliance questions, visit our website at geappliances.com or call GE Answer Center® service, 800.626.2000.



All GE ranges are equipped with an Anti-Tip device. The installation of this device is an important, required step in the installation of the range.

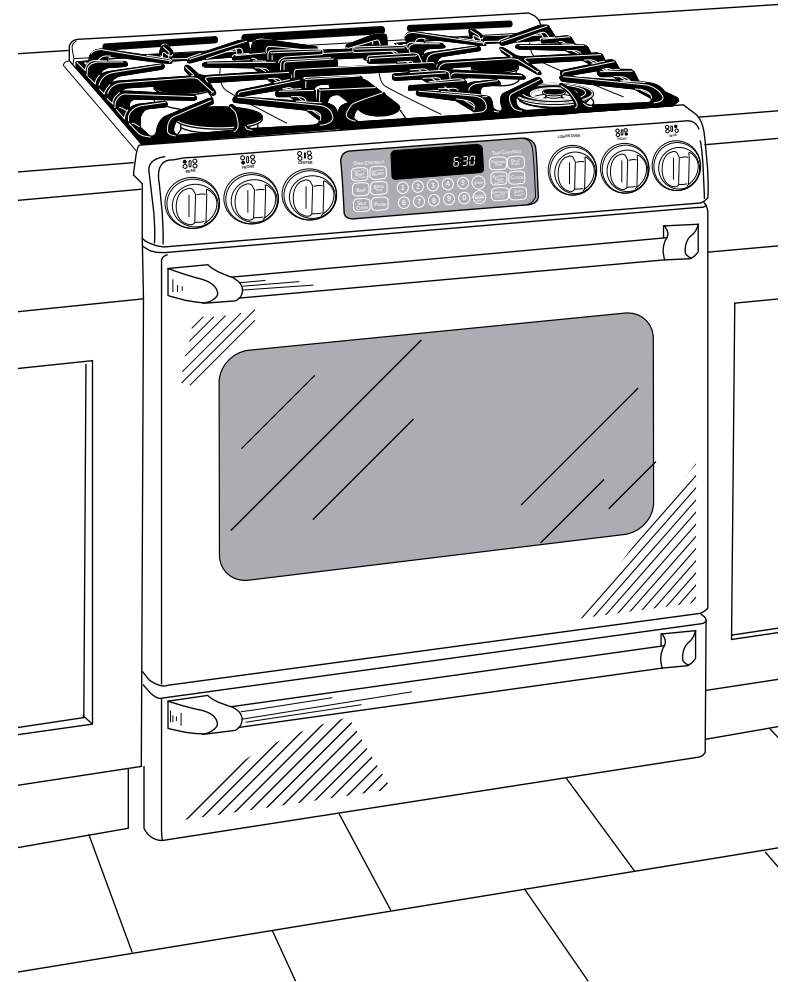


C2S985SETSS

GE Café™ Series Free-Standing Dual-Fuel Range with Baking Drawer

Features and Benefits

- Convection Bake - This setting is optimal for baking casseroles or lasagnas, yeast breads, pies and pizzas with no need to turn the pan
- 5.4 cu. ft. Oven Capacity - Enough room to cook an entire meal at once
- Baking Drawer - Offers an additional 1.0 cu. ft. of capacity for convenient baking from 140° to 450°
- Self-Clean Oven - Conveniently cleans the oven cavity without the need for scrubbing
- Non-Stick Griddle - Provides a flat, non-stick surface for cooking and warming all types of foods
- 20,000 BTU tri-ring burner - Three-in-one burner is designed for accelerated boiling and gentle simmering
- Center oval burner - Oval fifth burner in the center of the cooktop is large to accommodate odd-sized cookware or griddles
- Precise Simmer - Simmer burners allows for low, even heat distribution that is ideal for delicate foods and sauces
- Black gloss oven interior - Black oven interior adds a stylish touch to any kitchen
- Model C2S985SETSS – Stainless steel



imagination at work