

# JGAS02SEN

## GE® 24" Standard Clean Free-Standing Gas Range

### Dimensions and Installation Information (in inches)

#### Optional Gas Range Accessory Drip Pans for Sealed and Standard Burner Models

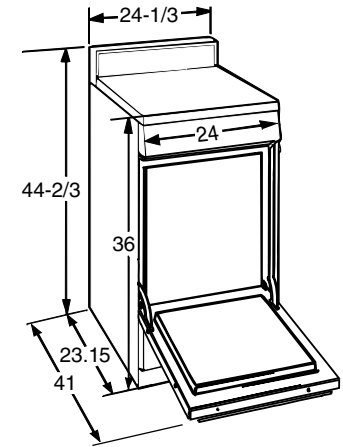
(Available at additional cost)

To order these accessory drip pans, call toll-free 800-626-2002

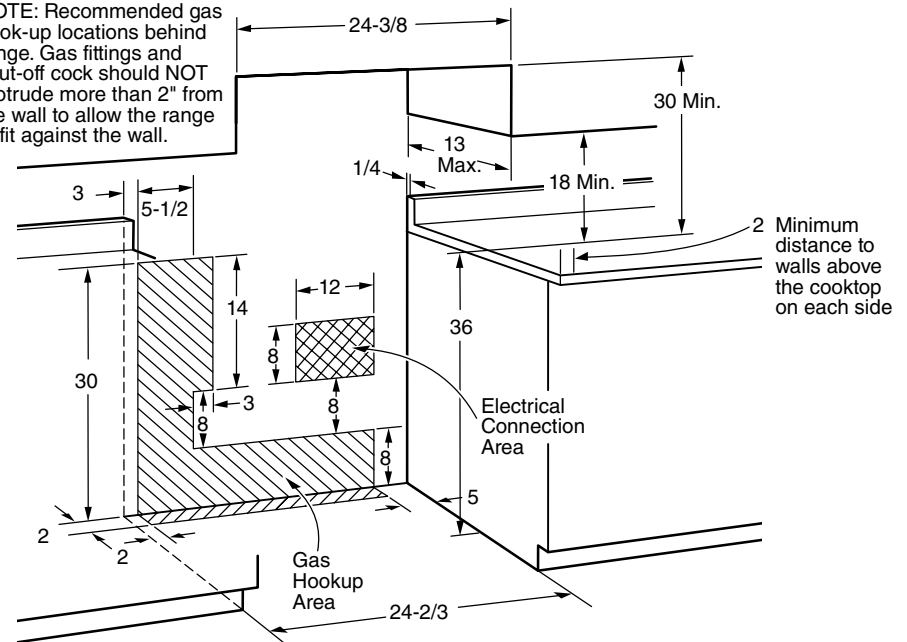
#### Gas Self-Clean Range Anti-Tip Bracket (Part No. 205C1714P001)

**Electrical Rating:** 120V, 60Hz, 5A

**Installation Information:** Before installing, consult installation instructions packed with product for current dimensional data.



NOTE: Recommended gas hook-up locations behind range. Gas fittings and shut-off cock should NOT protrude more than 2" from the wall to allow the range to fit against the wall.



For answers to your Monogram®, GE Profile™ or GE® appliance questions, visit our website at [ge.com](http://ge.com) or call GE Answer Center® service, 800.626.2000.



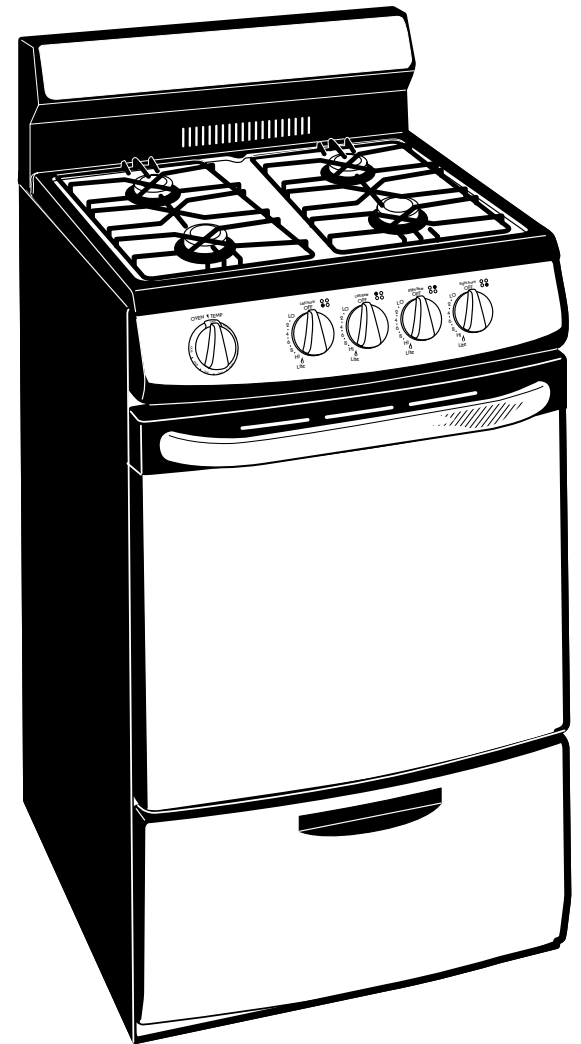
All GE ranges are equipped with an Anti-Tip device. The installation of this device is an important, required step in the installation of the range.

# JGAS02SEN

## GE® 24" Standard Clean Free-Standing Gas Range

### Features and Benefits

- Standard Clean Oven - Offers a traditional oven design that requires hand cleaning
- All Purpose Burners - Deliver a wide range of heat output ideal for most cooking requirements
- Heavy Cast Square Grates
- Porcelain Upswept Cooktop - Features raised edges to help contain spills and make clean-up easy
- Lift-Up Cooktop - Cooktop lifts up for easy access to porcelain-enameled subtop
- Electronic Ignition - Ensures a continuous flame and reignites automatically if accidentally extinguished
- Four Embossed Rack Positions - Increase cooking flexibility and maximize oven capacity
- Broiler Drawer - Supplies a concentrated heat for crisping and browning
- Extra Large Broiler Pan and Grid
- Model JGAS02SENS - Stainless steel



imagination at work