

# JGB281MER

## GE® 30" Free-Standing Self-Clean Gas Range

### Dimensions and Installation Information (in inches)

#### Optional Gas Range Accessory Drip Pans for Sealed and Standard Burner Models

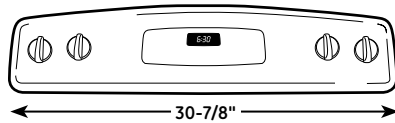
(Available at additional cost)

To order these accessory drip pans, call toll-free 800-626-2002

#### Gas Self-Clean Range Anti-Tip Bracket (Part No. 205C1714P001)

**Electrical Rating:** 120V, 60Hz, 5A

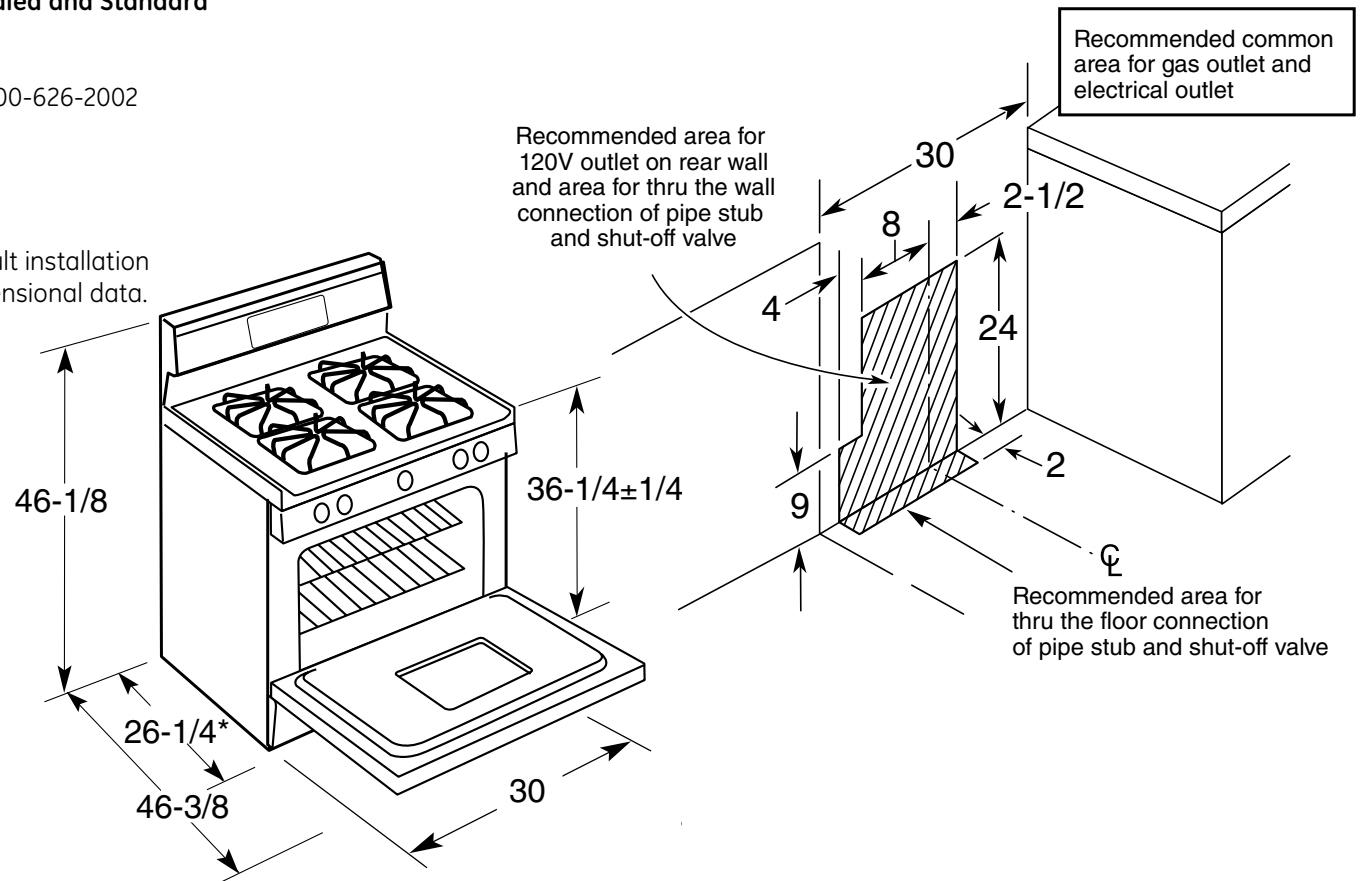
**Installation Information:** Before installing, consult installation instructions packed with product for current dimensional data.



All 30" GE gas and electric range backguards are 30-7/8" wide.\*

**Note:** 30" ranges conform to U.L. requirements for 0" spacing from adjacent walls below countertops. To reduce possible scorching of walls, engineering recommends a minimum of 1-1/2" spacing to allow for possible extended, high heat, no-load heating element operation.

\*Except these models: JGBS07, JGBS04, all GE Profile free-standing electric and gas ranges Fits most countertop backsplash applications. Consult Use & Care Manual for detailed installation instructions.



\*Dimension from wall to front of closed door handle is 28-5/8".

For answers to your Monogram®, GE Profile™ or GE® appliance questions, visit our website at [geappliances.com](http://geappliances.com) or call GE Answer Center® service, 800.626.2000.



imagination at work



All GE ranges are equipped with an Anti-Tip device. The installation of this device is an important, required step in the installation of the range.

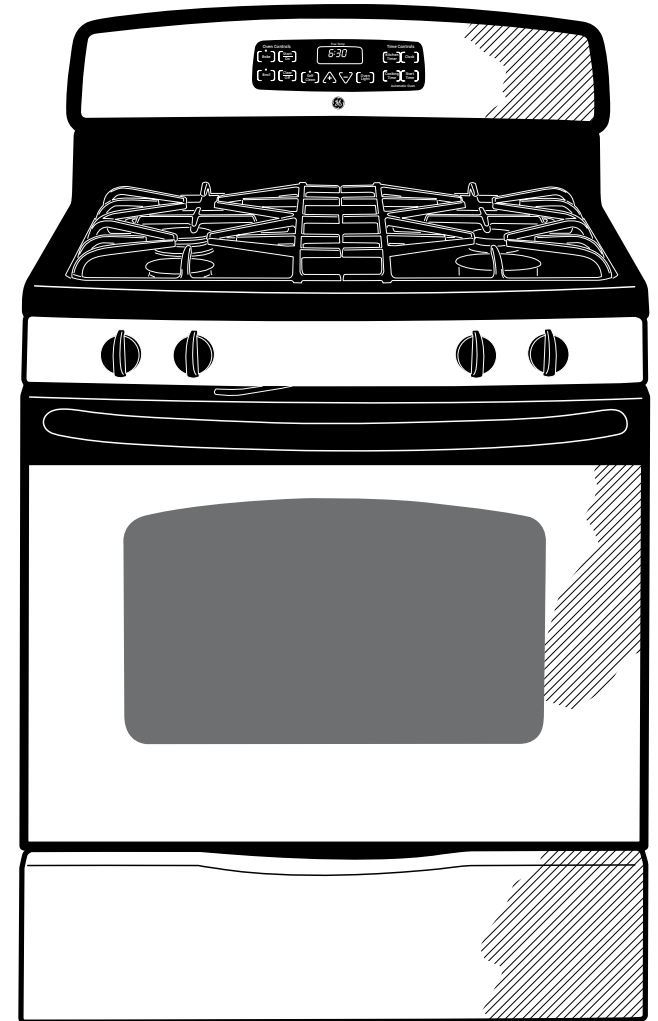


# JGB281MER

## GE® 30" Free-Standing Self-Clean Gas Range

### Features and Benefits

- Self-clean oven—allows you to spare yourself from the trouble and effort it takes to scrub the oven interior
- Super-large 5.0 oven capacity—Remarkably large oven interior is ideal for holidays, dinner parties and everyday family cooking
- Heavy-cast, continuous grates—Matte-finish, connected cooktop grates provide a sturdy, uninterrupted surface that allows pots and pans to move easily
- Deep-recessed cooktop—Keeps spills, and everything else, contained in one area that's easy to wipe clean
- PowerBoil™ 15,000 BTU burner—This powerful element instantly supplies the intense heat need for boiling, sautéing and stir frying
- Precise Simmer burner—Allows for low, even heat distribution that is ideal delicate foods and sauces
- TrueTemp™ oven system—This feature helps ensure the temperature you set is the temperature you get, with less variance, to give you the baking and broiling performance you desire
- Sealed cooktop burners—Burners are sealed to the cooktop to keep foods and liquid contained on the cooktop, making cleaning painless
- QuickSet IV Oven Controls—Feature an easy to use design that lets you set precise cooking temperatures
- Model JGB281MERBS - CleanSteel™ Appearance



imagination at work