

CS975SD

GE Café™ Series 30" Free-Standing Radiant Range with Storage Drawer

Dimensions and Installation Information (in inches)

Receptacle Locations

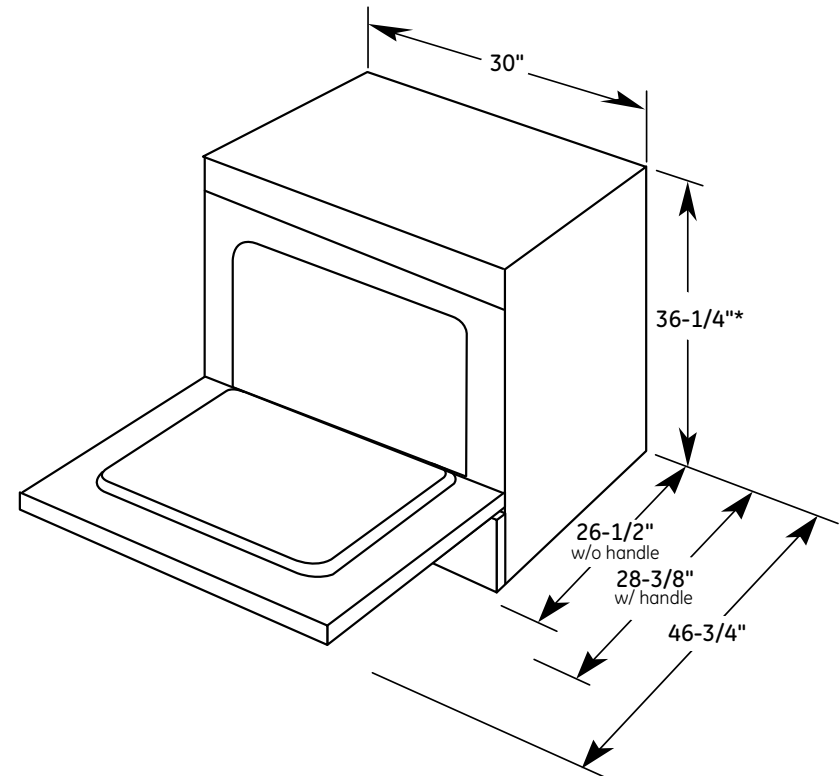
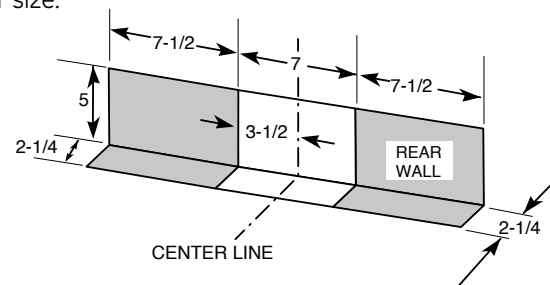
Locally approved flexible service cord or conduit must be used because terminals are not accessible after range installation. See shaded area in drawing for location of electrical outlet box. Recommended outlet locations allow range to be installed directly against wall.

Note: This appliance has been approved for 0" spacing to adjacent surfaces above the cooktop. However, a 6" minimum spacing to surfaces less than 15" above the cooktop and adjacent cabinet is recommended to reduce exposure to steam, grease splatter and heat.

Installation Information: Before installing, consult installation instructions for current dimensional data and additional requirements.

KW Rating	
240V	15.5
208V	11.6
Breaker Size	
240V	40 Amps†
208V	40 Amps†

†**Note:** Check local codes for required breaker size.



*41-1/4" with optional backguard kit

Receptacle locations: Locally approved flexible service cord or conduit must be used because terminals are not accessible after range installation. See shaded area in drawing for location of electrical outlet box. Recommended outlet locations allow range to be installed directly against wall.



For answers to your Monogram® or GE® appliance questions, visit our website at geappliances.com or call GE Answer Center® service, 800.626.2000.



*ADA qualified based on Uniform Accessibility Standards



All GE ranges are equipped with an Anti-Tip device. The installation of this device is an important, required step in the installation of the range.



CS975SD

GE Café™ Series 30" Free-Standing Radiant Range with Storage Drawer

Features and Benefits

- True European Convection with Precise Air - A reversing fan circulates heat and air for evenly browned and baked foods
- Single/multi-rack Convection Bake - Optimal setting for baked goods and casseroles
- Dual heating elements - Two heating elements in one offer flexibility
- Fifth element cook and warming zone - Keeps food warm and boils water in minutes
- Self-clean oven - Self-clean allows you to spare yourself from the trouble and effort it takes to scrub the oven interior
- 5.4 cu. ft. oven capacity - More room for cooking more dishes at once
- Black gloss oven interior - Adds a stylish touch to the kitchen
- Model CS975SDSS - Stainless steel



imagination at work