

PHB925SP

GE Profile™ 30" Free-Standing Electric Range

Dimensions and Installation Information (in inches)

KW Rating	
240V	14.2
208V	10.7
Breaker Size	
40 Amps†	

†**Note:** Check local codes for required breaker size.

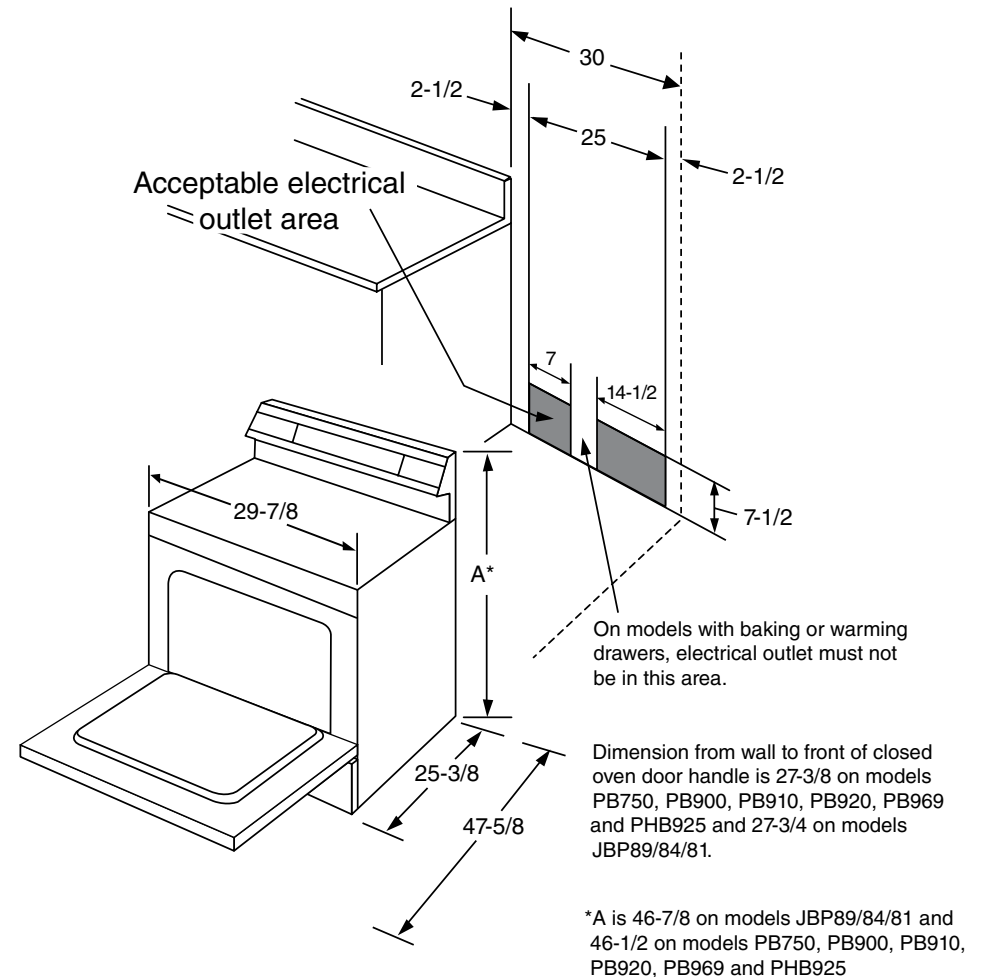
Effective January 1, 1996, the National Electrical Code requires that new construction (not existing) utilize a 4-conductor connection to an electric range.

Receptacle Locations

Locally approved flexible service cord or conduit must be used because terminals are not accessible after range installation. See shaded area in drawing for location of electrical outlet box. Recommended outlet locations allow range to be installed directly against wall.

Note: 30" ranges conform to U.L. requirements for 0" spacing from adjacent walls below countertops. To reduce possibility of scorching walls, engineering recommends a minimum of 1-1/2" spacing to allow for possible extended, high-heat, no-load heating element operation.

Installation Information: Before installing, consult installation instructions packed with product for current dimensional data.



For answers to your Monogram®, GE Profile™ or GE® appliance questions, visit our website at ge.com or call GE Answer Center® service, 800.626.2000.



All GE ranges are equipped with an Anti-Tip device. The installation of this device is an important, required step in the installation of the range.



Listed by Underwriters Laboratories



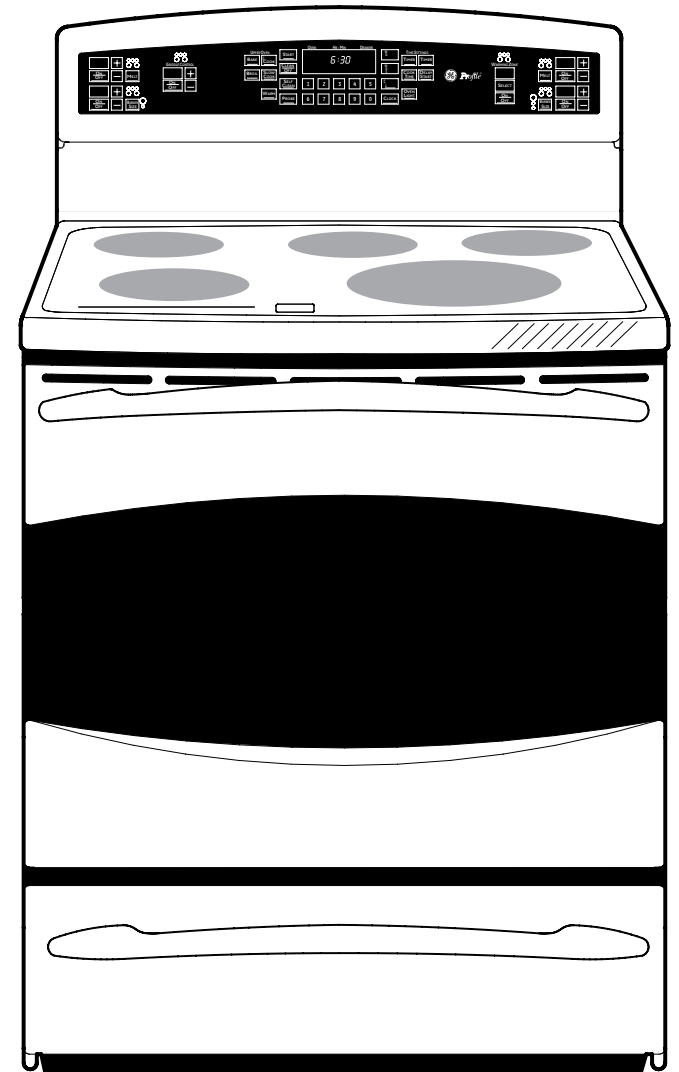
PHB925SP

GE Profile™ 30" Free-Standing Electric Range

Features and Benefits

- Induction Elements - Powerful yet precise induction elements generate heat directly to the cookware leaving the unused portion of the element unheated and easier to clean
- Precise Air™ Convection System - Delivers even air and heat circulation for superior baking and roasting results
- Convection Cook - A reversing fan surrounded by a third element circulates hot air for great results on every rack
- Warming Zone - Provides low heat capability for foods, making meal coordination simple
- Hidden Bake Oven Interior - Hides previously exposed bottom element to deliver a clean interior appearance
- Warming Drawer - Convenient drawer keeps breads, desserts or just-cooked foods warm and ready-to-serve
- Super-Large 5.3 Cu. Ft. Oven Capacity - Provides an impressively large oven interior to cook more dishes and large meals at once
- Self-Clean Oven - Conveniently cleans the oven cavity without the need for scrubbing
- NextStep Controls - Knob-free controls illuminate to lead through the control setting process
- Self-Clean Heavy-Duty Oven Racks - Double coated porcelain-enameled racks no longer require hand cleaning
- Model PHB925SPSS - Stainless Steel

For answers to your Monogram®, GE Profile™ or GE® appliance questions, visit our website at ge.com or call GE Answer Center® service, 800.626.2000.



imagination at work