

# Owner's Manual

Double-Door, Bottom-Drawer,  
Free-Standing Refrigerators

## Français

The French section begins on page 23.

La section française commence à la page 23

## Español

The Spanish section begins on page 43

La sección en español empieza en la página 43.

239D4535P003
49-60718-2

03-15 GE  
[monogram.com](http://monogram.com)



*Introduction*

Your new Monogram refrigerator makes an eloquent statement of style, convenience and kitchen planning flexibility. Whether you chose it for its purity of design, practical storage arrangements or assiduous attention to detail—or for all of these reasons—you'll find that your Monogram refrigerator's superior blend of form and function will delight you for years to come.

The information on the following pages will help you operate and maintain your refrigerator properly.

If you have any other questions, visit our Website at: **monogram.com**

*Contents*

**Consumer Services**

Important Phone Numbers ..... 20  
 Model and Serial Numbers..... 3  
 Performance Data Sheet ..... 18  
 Problem Solver .....16-17  
 Product Registration..... 3  
 Safety Instructions ..... 4-5  
 Warranty ..... Back Cover  
 Water Filter Warranty ..... 14

**Care and Cleaning**

Cleaning—Outside and Inside ..... 14  
 Light Bulb Replacement ..... 15  
 Moving ..... 14  
 Vacation..... 14

**Operating Instructions**

Automatic Icemaker..... 13  
 Additional Features..... 6  
 Internal Water Dispenser ..... 7  
 Shelves and Bins .....9-11  
 Temperature Controls ..... 6  
 Temperature Controlled Drawer ..... 12  
 Water Filter ..... 8

*Before using your refrigerator*

Read this manual carefully. It is intended to help you operate and maintain your new refrigerator properly.

Keep it handy for answers to your questions.

If you don't understand something or need more help, there is a list of toll-free consumer service numbers included in the back section of this manual.

**OR**

Visit our Website at: **monogram.com**

*Write down the model & serial numbers*

You'll see them on a label inside the fresh food compartment at the top on the right side.

Please write these numbers on the Consumer Product Ownership Registration Card included with the packing material.

**Before sending in this card, please also write these numbers here:**

Model Number

Serial Number

Use these numbers in any correspondence or service calls concerning your refrigerator.

*If you received a damaged refrigerator*

Immediately contact the dealer (or builder) that sold you the refrigerator.

*Save time & money*

Before you request service, check the Problem Solver in the back of this manual.

It lists causes of minor operating problems that you can correct yourself.

*If you need service*

To obtain service, see the Consumer Services page in the back of this manual.

We're proud of our service and want you to be pleased. If for some reason you are not happy with the service you receive, here are steps to follow for further help.

**For customers in the USA:**

FIRST, contact the people who serviced your appliance. Explain why you are not pleased. In most cases, this will solve the problem.

NEXT, if you are still not pleased, write all the details—including your phone number—to:

Manager, Customer Relations  
GE Appliances  
Appliance Park  
Louisville, KY 40225

**For customers in Canada:**

FIRST, contact the people who serviced your appliance. Explain why you are not pleased. In most cases, this will solve the problem.

NEXT, if you are still not pleased, write all the details—including your phone number to:

Manager, Consumer Relations  
Mabe Canada Inc.  
1 Factory Lane, Suite 310  
Moncton, N.B. E1C 9M3

# IMPORTANT SAFETY INSTRUCTIONS

## READ AND SAVE THESE INSTRUCTIONS

**!** This is the safety alert symbol. This symbol alerts you to potential hazards that can kill or hurt you and others. All safety messages will follow the safety alert symbol and the word "DANGER", "WARNING", or "CAUTION". These words are defined as:

**!** **DANGER**

Indicates a hazardous situation which, if not avoided, **will** result in death or serious injury.

**!** **WARNING**

Indicates a hazardous situation which, if not avoided, **could** result in death or serious injury.

**!** **CAUTION**

Indicates a hazardous situation which, if not avoided, **could** result in minor or moderate injury.

**!** **WARNING**

*When using this appliance, always exercise basic safety precautions, including the following:*

- **Use this appliance only for its intended purpose** as described in this Owner's Manual.
- **This refrigerator must be properly installed in accordance with the Installation Instructions before it is used.**
- **Do not allow children to climb, stand or hang on the shelves in the refrigerator.** They could damage the refrigerator and seriously injure themselves.
- **Do not store or use gasoline or other flammable vapors and liquids in the vicinity of this or any other appliance.**
- **Unplug your refrigerator before cleaning and making repairs.**  
**NOTE:** We strongly recommend that any servicing be performed by a qualified individual.  
**NOTE:** Power to the refrigerator cannot be disconnected by any setting on the control panel.
- Because of potential safety hazards under certain conditions, we strongly recommend against the use of an extension cord. However, if you must use an extension cord, it is absolutely necessary that it be a UL-listed (in the United States) or a CSA certified (in Canada), 3-wire grounding type appliance extension cord having a grounding type plug and outlet and that the electrical rating of the cord be 15 amperes (minimum) and 120 volts.
- Replace all parts and panels before operating.

**!** **CAUTION**

- **Do not touch the cold surfaces in the freezer compartment when hands are damp or wet.** Skin may adhere to these extremely cold surfaces.
- **In refrigerators with automatic icemakers,** avoid contact with moving parts of the ejector mechanism, or with the heating element located on the bottom of the icemaker. Do not place fingers or hands on the automatic icemaking mechanism while the refrigerator is plugged in.
- **Keep fingers out of the "pinch point" areas:** clearances between the doors and between the doors and cabinet are necessarily small. Be careful closing doors when children are in the area.
- **Do not refreeze frozen foods which have thawed completely.**
- **Do not clean glass shelves or covers with warm water when they are cold.** Glass shelves and covers may break if exposed to sudden temperature changes or impact, such as bumping or dropping. Tempered glass is designed to shatter into many small pieces if it breaks.

**!** **DANGER**

## RISK OF CHILD ENTRAPMENT



Child entrapment and suffocation are not problems of the past. Junked or abandoned refrigerators are still dangerous...even if they will sit for "just a few days." If you are getting rid of your old refrigerator, please follow the instructions below to help prevent accidents.

**Before you throw away your old refrigerator or freezer:**

- Take off the doors.
- Leave the shelves in place so that children may not easily climb inside.

## REFRIGERANTS

All refrigeration products contain refrigerants, which under federal law must be removed prior to product disposal.

If you are getting rid of an old refrigeration product, check with the company handling the disposal about what to do.

# IMPORTANT SAFETY INSTRUCTIONS

**⚠ WARNING**  **Explosion Hazard.**

Keep flammable materials and vapors, such as gasoline, away from refrigerator. Failure to do so can result in fire, explosion, or death.

**⚠ WARNING**  **Tip Over Hazard.**

Built-in style models (model PYE, CYE, GYE, PWE, CWE, and ZWE) are top heavy, especially with any doors open. These models must be secured with the anti-tip floor bracket to prevent tipping forward, which could result in death or serious injury. Read and follow the entire installation instructions for installing the anti-tip floor bracket packed with your refrigerator.

**⚠ WARNING**  **Electrical Shock Hazard.**

Plug into a grounded 3-prong outlet.  
Do not remove the ground prong.  
Do not use an adapter.

Failure to follow these instructions can result in death, fire, or electrical shock.

## HOW TO CONNECT ELECTRICITY

**Do not, under any circumstances, cut or remove the third (ground) prong from the power cord. For personal safety, this appliance must be properly grounded.**

The power cord of this appliance is equipped with a 3-prong (grounding) plug which mates with a standard 3-prong (grounding) wall outlet to minimize the possibility of electric shock hazard from this appliance.

Have the wall outlet and circuit checked by a qualified electrician to make sure the outlet is properly grounded.

Where a standard 2-prong wall outlet is encountered, it is your personal responsibility and obligation to have it replaced with a properly grounded 3-prong wall outlet.

The refrigerator should always be plugged into its own individual electrical outlet which has a voltage rating that matches the rating plate.

A 115 Volt AC, 60 Hz, 15- or 20-amp fused, grounded electrical supply is required. This provides the best performance and also prevents overloading house wiring circuits which could cause a fire hazard from overheated wires.

Never unplug your refrigerator by pulling on the power cord. Always grip plug firmly and pull straight out from the outlet.

Repair or replace immediately all power cords that have become frayed or otherwise damaged. Do not use a cord that shows cracks or abrasion damage along its length or at either end.

When moving the refrigerator away from the wall, be careful not to roll over or damage the power cord.

## USE OF EXTENSION CORDS

**Because of potential safety hazards under certain conditions, we strongly recommend against the use of an extension cord.**

However, if you must use an extension cord, it is absolutely necessary that it be a UL-listed, 3-wire grounding type appliance extension cord having a grounding type plug and outlet and that the electrical rating of the cord be 15 amperes (minimum) and 120 volts.

Temperature controls

**Changing Temperature Controls**

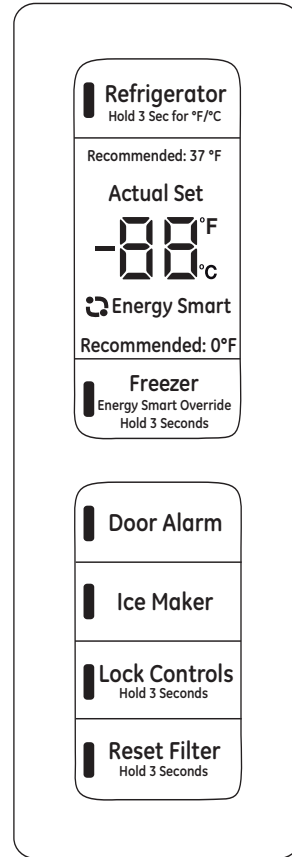
Temperature Display is located on inside of left-hand refrigerator door. **To change the temperature**, press and release the **REFRIGERATOR** or **FREEZER** pad. The **ACTUAL TEMP** light will come on and the display will show the actual temperature. To change the temperature, tap either the **REFRIGERATOR** or **FREEZER** pad until the desired temperature is displayed.

To turn **OFF** cooling system, press and hold the **REFRIGERATOR** and **FREEZER** pads simultaneously for 3 seconds. When the cooling system is **OFF** the display should read **OFF**.

To turn **ON** cooling system, press either **REFRIGERATOR** or **FREEZER** pad. The display will show the preset temperature settings of **37°F** for refrigerator and **0°F** for freezer. Turning the cooling system off stops the cooling to refrigerator, but it does not shut off the electrical power.

**NOTE: The refrigerator is shipped with protective film covering the temperature controls. If this film was not removed during installation, remove it now.**

**NOTE: For optimal temperature performance, we recommend to avoid placing food items directly at the air flow vents of the fresh food air tower and thus blocking the air flow.**



Door alarm

The door alarm will sound if either door is open for more than 2 minutes. The beeping sound will stop when you close the door.

Ice maker

Press to turn the ice maker on or off.

Lock controls

Press and hold for 3 seconds to lock or unlock the refrigerator and freezer controls.

Reset filter

Press and hold for 3 seconds after replacing the filter to reset the timer.

### Sabbath Mode

Press and hold lock & light (door alarm & ice maker buttons for non-dispense models) simultaneously for 3 seconds to enter/exit Sabbath mode.

Activate Sabbath Mode to turn off interior lights, temperature control and advanced features. Compressor will run on a timed defrost when in Sabbath mode.

### Internal water dispenser

The water dispenser is located on the left wall inside the refrigerator compartment.

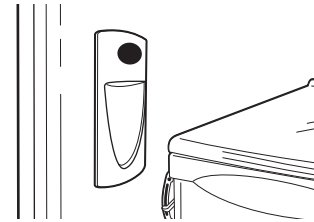
#### To dispense water:

- 1 Hold the glass against the recess.
- 2 Push the water dispenser button.
- 3 Hold the glass underneath the dispenser for 2-3 seconds after releasing the dispenser button. Water may continue to dispense after the button is released.

*If no water is dispensed when the refrigerator is first installed, there may be air in the water line system. Press the dispenser button and run 1½ gallons to remove trapped air from the water line and to fill the water system. During this process,*

*the dispenser noise may be loud as the air is purged from the water line system. To flush out impurities in the water line, throw away the first 6 glassfuls of water.*

**NOTE:** *To avoid water deposits, the dispenser should be cleaned periodically by wiping with a clean cloth or sponge.*



Water  
filter**Water Filter Cartridge**

The water filter cartridge is located in the fresh food interior on the left side wall, near the top.

Select models use radio frequency identification (RFID) to detect leaks and monitor filter status. The RFID technology is certified by the FCC.

FCCID: ZKJ-EBX1532P001 ICID:  
10229A-EBX1532P001

*"This device complies with part 15 of the FCC Rules. Operation is subject to the following two conditions: (1) This device may not cause harmful interference, and (2) this device must accept any interference received, including interference that may cause undesired operation."*

*"This device complies with Industry Canada licence-exempt RSS standard(s). Operation is subject to the following two conditions: (1) this device may not cause interference, and (2) this device must accept any interference, including interference that may cause undesired operation of the device."*

**When to Replace the Filter Cartridge**

The filter cartridge should be replaced every six months or earlier if 170 gallons of water has been dispensed or the flow of water to the dispenser or icemaker decreases.

**Touch Screen Models:** A filter status message will appear on the screen when the water filter needs to be replaced. The filter status will automatically update when the filter is replaced.

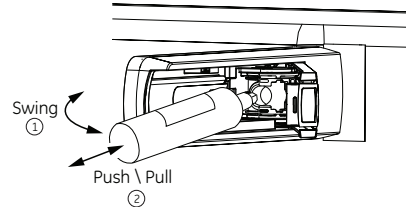
**Non-touch Screen Models:** A filter indicator light will illuminate on the screen when the water filter needs to be replaced.

**Removing the Filter Cartridge**

To replace the filter, first remove the old cartridge by opening the filter door and pulling on the bottom of the cartridge to allow it to swing outward. When the cartridge can no longer swing, gently pull to unseat it from the cartridge holder. **DO NOT TWIST CARTRIDGE.** A small amount of water may drip out.

**Installing the Filter Cartridge**

1. Align top of filter with cartridge holder and push until cartridge is fully seated. The arrow on the label should point up if cartridge is oriented correctly.
2. While continuing to ensure cartridge is fully seated in the holder, gently swing the filter inward until it is in position. If filter will not swing easily, check to ensure filter is properly aligned and fully seated within the cartridge holder.



3. Run two gallons of water through the cold water dispenser (about 5 minutes) to remove air from the system. **A newly installed filter cartridge will cause water to spurt from the dispenser.** Use a large pitcher or sports bottle to catch the water spray.
4. Reset Filter Status message (non-touch screen models).

Note: It is normal for water to appear discolored during the initial system flush. Water color will return to normal after first few minutes of dispensing.

**Filter Bypass Plug**

To reduce the risk of property damage due to water leakage, you **MUST** use the filter bypass plug when a replacement filter cartridge is not available. Some models do not come equipped with the filter bypass plug. To obtain a free bypass plug, call 800-GEARES, in Canada call 800.561.3344. The dispenser and icemaker will not operate without either the filter or the bypass plug installed. The bypass plug is installed in the same way as a filter cartridge."

**WARNING**

**To reduce the risk associated with choking, do not allow children under 3 years of age to have access to small parts during the installation of this product.** The disposable filter cartridge should be replaced every 6 months at the rated capacity, or sooner if a noticeable reduction in flow rate occurs.

For the maximum benefit of your filtration system, GE recommends the use of GE-branded filters only. Using GE-branded filters in GE and Hotpoint® refrigerators provides optimal performance and reliability. GE filters meet rigorous industry NSF standards for safety and quality that are important for products that are filtering your water. GE has not qualified non-GE-branded filters for use in GE and Hotpoint refrigerators and there is no assurance that non-GE-branded filters meet GE's standards for quality, performance and reliability.

**If you have questions, or to order additional filter cartridges, visit our website at [www.geapplianceparts.com](http://www.geapplianceparts.com) or call GE Parts and Accessories, 8003626.2002.**

Customers in Canada should consult the yellow pages for the nearest Camco Service Center.



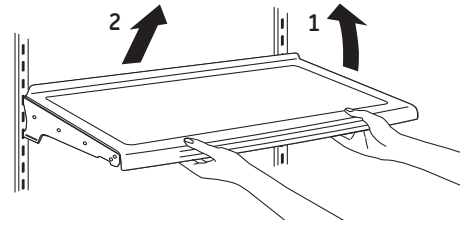
### Rearranging the shelves

Shelves in the refrigerator compartment are adjustable.

#### Refrigerator Compartment

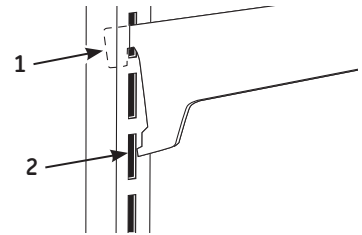
##### To remove:

1. Remove all items from the shelf.
2. Tilt the shelf up at the front.
3. Lift the shelf up at the back and bring the shelf out.



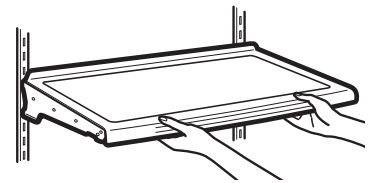
##### To replace:

1. While tilting the shelf up, insert the top hook at the back of the shelf in a slot on the track.
2. Lower the front of the shelf until the bottom of the shelf locks into place.



### Spillproof shelves

Spillproof shelves have special edges to help prevent spills from dripping to lower shelves.



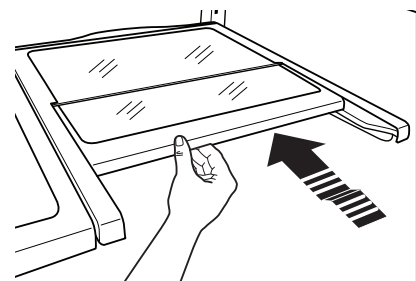
### QuickSpace™ shelf\*

This shelf splits in half and slides under itself for storage of tall items on the shelf below.

This shelf can be removed and replaced or relocated (just like spillproof shelves).

**NOTE:** The back half of the Quick Space Shelf is not adjustable.

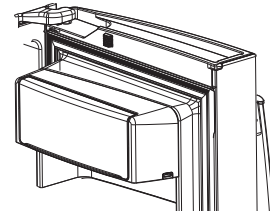
\*Select Models Only



## Non-adjustable dairy bin

**To remove:** Lift the dairy bin straight up, then pull out.

**To replace:** Engage the bin in the molded door supports and push down. The bin will lock in place.



## Adjustable bins on doors

Adjustable bins can easily be carried from refrigerator to work area.

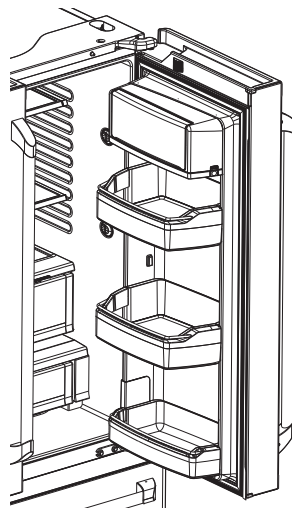
**To remove:** Lift bin straight up, then pull out.

**To replace or relocate:** Slide in the bin just above the molded door supports, and push down. The bin will lock in place.

### Drop down tray \* (tray open)

1. Open right fresh food door
2. Depress both buttons on lower sides of bin and bin will drop down.
3. Reverse to reinstall.

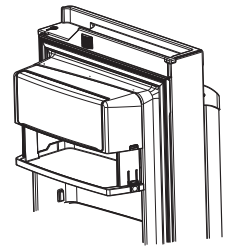
\*Select Models Only



Dispense Models  
(Right Hand Door)

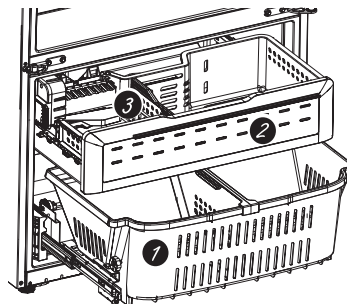


Non-Dispense Models  
(Left Hand Door)



## Freezer basket and drawer

1. Basket.
2. Drawer.
3. Ice Bucket\*



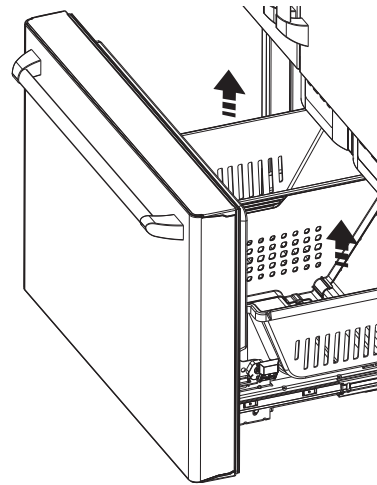
\*Select Models Only

### Basket removal (bottom drawer)

1. Open fresh food doors.
2. Open freezer door to the stop position.
3. Remove freezer basket by lifting up the rear of the basket and rotate it upward.
4. Lift it out to remove.

#### To replace:

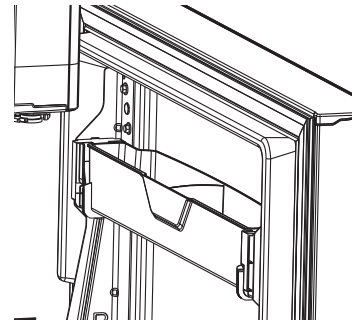
Reverse step 1 thru 4 to replace.



### Non-Adjustable bins on the freezer door

**To remove:** push in plastic tab on either left or right side

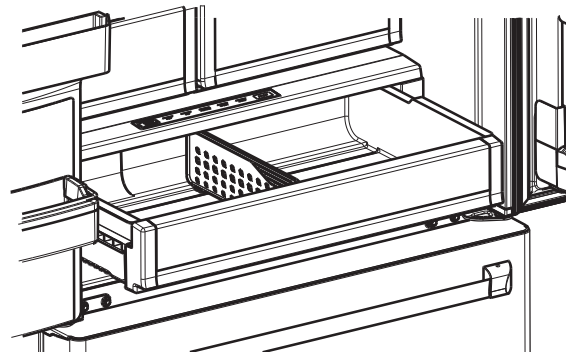
**To replace:** slide bin into location until it locks into place.



### Adjustable deli/produce drawer

**To remove:** pull the drawer out to the stop position. Lift the front of the drawer up and out.

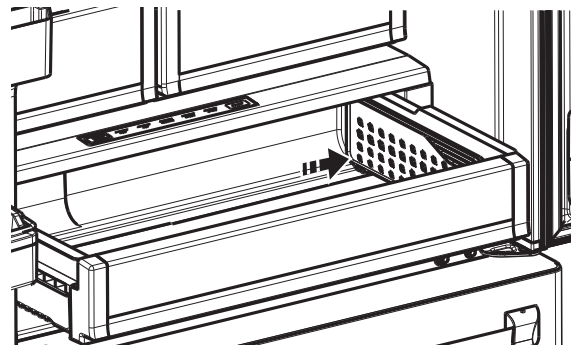
**To replace:** pull left and right slides until fully extended. Place drawer back in first and rotate drawer front down to seat on slides. Push the drawer in to closed position.



### Drawer divider\*

**To remove:** pull the drawer out to the stop position. Slide pan divider to right to release it from the pan.

**To replace:** place pan divider into the groove on the right and slide it to the left as needed.



\*Select Models Only

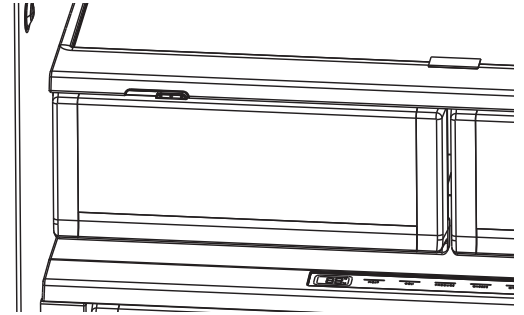
# Climate Zone and Temperature Controlled Drawer

Stainless Steel Refrigerator

## ClimateZone

Keep fruits and vegetables organized in separate compartments for easy access.

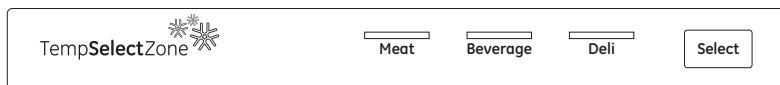
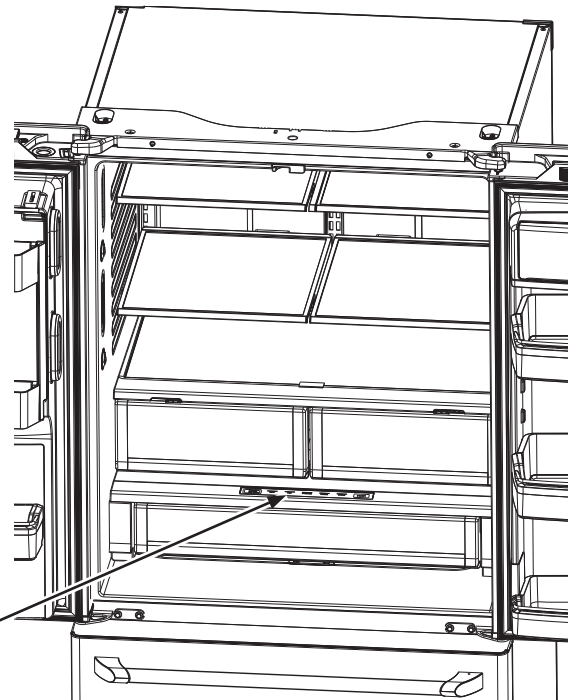
Excess water that may accumulate in the bottom of the drawers or under the drawers should be wiped dry.



## Temperature controlled drawer

The Temperature Controlled Drawer is a full-width drawer with adjustable temperature control. This drawer can be used for large miscellaneous items. To change setting, press select button.

**Note:** Temperatures indicate the appropriate temperatures for the food and actual temperatures may vary based on normal operation and other factors such as door openings and fresh food set point.



32° 34° 38°

**CAUTION Laceration Hazard.**

Do not store glass bottles at this setting. If they are frozen, they can break and result in personal injury.

## Automatic icemaker\*

**NOTE:** A newly installed refrigerator may take 12 to 24 hours to begin making ice.

The ice maker will produce seven cubes per cycle approximately 100–130 cubes in a 24-hour period, depending on freezer compartment temperature, room temperature, number of door openings and other use conditions.

The ice maker will fill with water when it cools to 15°F (–10°C). A newly installed refrigerator may take 12 to 24 hours to begin making ice cubes.

If the refrigerator is operated before the water line connection is made to the unit or if the water supply to an operating refrigerator is turned off, make sure that the ice maker is turned off. Once the water has been connected to the refrigerator, the ice maker may be turned on. See the table below for details.

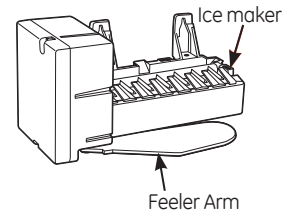
You may hear a buzzing sound each time the ice maker fills with water.

Throw away the first few batches of ice to allow the water line to clear.

Be sure nothing interferes with the sweep of the feeler arm.

When the bin fills to the level of the feeler arm, the ice maker will stop producing ice. It is normal for several cubes to be joined together.

If ice is not used frequently, old ice cubes will become cloudy, taste stale and shrink.



**NOTE:** In homes with lower-than-average water pressure, you may hear the icemaker cycle multiple times when making one batch of ice.

**CAUTION** To minimize the risk of personal injury, avoid contact with the moving parts of the ejector mechanism, or with the heating element that releases the cubes. Do not place fingers or hands on the automatic ice making mechanism while the refrigerator is plugged in.

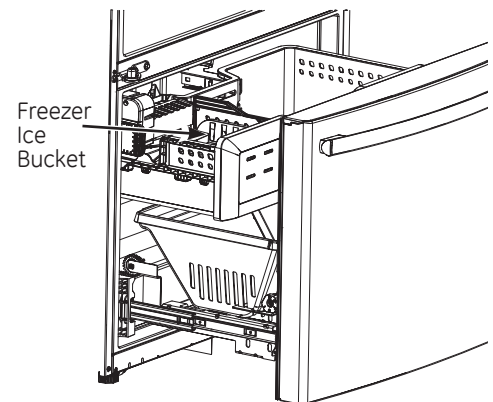
To turn off the ice maker, use the "ICE MAKER" button on the controls.

## Accessing ice

### Freezer Ice Bucket\*

The ice storage is in the freezer compartment drawer.

- Open the freezer drawer.
- The ice bucket is located on the left side of the upper basket.
- Pull the upper basket forward to remove the ice bucket.



\*Select Models Only

#### *Cleaning the outside*

**The stainless steel panels and handles** can be cleaned with a commercially available stainless steel cleaner such as *Stainless Steel Magic*.™

*Stainless Steel Magic* is available at Ace, True Value, Servistar, HWI and other leading stores. It is also available through GE Parts and Accessories, 800.626.2002. Order part number WX10X15.

**Do not use appliance wax or polish on the stainless steel.**

**Silver-accented plastic parts** should be washed with soap or other mild detergents. Wipe clean with a sponge, damp cloth or paper towel.

Do not use scouring pads, powdered cleaners, bleach or cleaners containing bleach because these products can scratch and weaken the paint finish.

#### *Cleaning the inside*

**To help prevent odors**, leave an open box of baking soda in the fresh food and freezer compartments.

**Unplug the refrigerator before cleaning.** If this is not practical, wring excess moisture out of sponge or cloth when cleaning around switches, lights or controls.

Use warm water and baking soda solution—about a tablespoon (15 ml) of baking soda to a quart (1 liter) of water. This both cleans and neutralizes odors. Rinse and wipe dry.

**Use of any cleaning solution other than that which is recommended, especially those that contain petroleum distillates, can crack or damage the interior of the refrigerator.**

**Avoid cleaning cold glass shelves with hot water because the extreme temperature difference may cause them to break. Handle glass shelves carefully. Bumping tempered glass can cause it to shatter.**

**Do not wash any plastic refrigerator parts in the dishwasher.**

#### *Behind the refrigerator*

Be careful when moving the refrigerator away from the wall. All types of floor coverings can be damaged, particularly cushioned coverings and those with embossed surfaces.

Raise the leveling legs located at the bottom front of the refrigerator.

Pull the refrigerator straight out and return it to position by pushing it straight in. Moving the

refrigerator in a side direction may result in damage to the floor covering or refrigerator.

Lower the leveling legs until they touch the floor.

**When pushing the refrigerator back, make sure you don't roll over the power cord or icemaker supply line.**

#### *Preparing for vacation*

For long vacations or absences, remove food and unplug the refrigerator. Clean the interior with a baking soda solution of one tablespoon (15 ml) of baking soda to one quart (1 liter) of water. Leave the doors open.

If the temperature can drop below freezing, have a qualified service technician drain the water supply system to prevent serious property damage due to flooding.

1) Turn refrigerator off (pg. 6) or unplug the refrigerator.

2) Empty ice bucket

3) Turn water supply off

**If you cut the water supply off, turn off the ice maker (pg. 13).**

Upon returning from vacation:

1) Replace the water filter.

2) Run 2 gallons of water through the cold water dispenser (about 5 minutes) to flush the system.

#### *Preparing to move*

Secure all loose items such as shelves and drawers by taping them securely in place to prevent damage.

When using a hand truck to move the refrigerator, do not rest the front or back of the

refrigerator against the hand truck. This could damage the refrigerator. Handle only from the sides of the refrigerator.

**Be sure the refrigerator stays in an upright position during moving.**

## Replacing the Light Bulbs

*Stainless Steel Refrigerator*

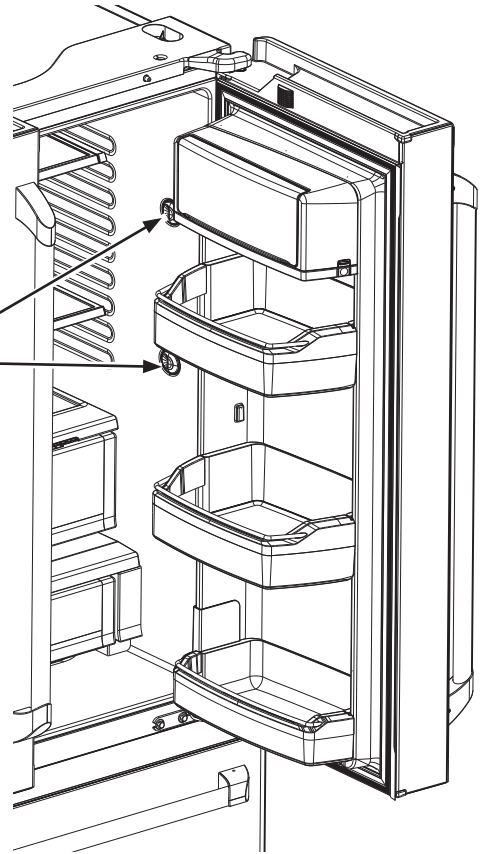
### *Fresh food compartment— upper light*

There is LED lighting in fresh food compartment and on the bottom of the fresh food doors to light the freezer compartment.

An authorized technician will need to replace the LED light.

If this assembly needs to be replaced, call GE Service at 1.800.432.2737 in the United States or 1.800.561.3344 in Canada.

LED Lights



Normal operating sounds

Newer refrigerators sound different from older refrigerators. Modern refrigerators have more features and use newer technology.

**Do you hear what I hear? These sounds are normal.**

**HUMMM...  
WHOOSH...**

- The new high efficiency compressor may run faster and longer than your old refrigerator and you may hear a high-pitched hum or pulsating sound while it is operating.
- You may hear a whooshing sound when the doors close. This is due to pressure equalizing within the refrigerator.
- After dispensing ice, a motor will close the ice chute to keep warm room air from entering the ice bucket, maintaining ice at a freezing temperature.

The hum of the motor closing the ice chute is normal, shortly after dispensing ice.



- You may hear the fans spinning at high speeds. This happens when the refrigerator is first plugged in, when the doors are opened frequently or when a large amount of food is added to the refrigerator or freezer compartments. The fans are helping to maintain the correct temperatures.
- The fans change speeds in order to provide optimal cooling and energy savings.

**CLICKS, POPS,  
CRACKS and CHIRPS**

- You may hear cracking or popping sounds when the refrigerator is first plugged in. This happens as the refrigerator cools to the correct temperature.
- Expansion and contraction of cooling coils during and after defrost can cause a cracking or popping sound.
- On models with an ice maker, after an ice making cycle, you may hear the ice cubes dropping into the ice bucket.
- On models with a dispenser, during water dispense, you may hear the water lines move at initial dispense and after dispenser button is released.

**WATER SOUNDS**



- The flow of refrigerant through the cooling coils may make a gurgling noise like boiling water.
- Water dropping on the defrost heater can cause a sizzling, popping or buzzing sound during the defrost cycle.
- A water dripping noise may occur during the defrost cycle as ice melts from the evaporator and flows into the drain pan.
- Closing the door may cause a gurgling sound due to pressure equalization.



For additional information on normal icemaker and dispenser operating sounds, see the **Automatic Icemaker** and **Internal Water Dispenser** sections.



Questions?  
Use this  
problem  
solver!

Problem	Possible Cause
Handle is loose/handle has a gap.	<ul style="list-style-type: none"> <li>Handle needs adjusting. See <i>Attach Fresh Food Handle</i> and <i>Attach the Freezer Handle</i> sections for detailed instructions.</li> </ul>
Refrigerator beeping	<ul style="list-style-type: none"> <li>This is door alarm. Turn off or disable with door closed. If door open and alarm is sounding, you can only snooze the alarm.</li> </ul>
Not cooling	<ul style="list-style-type: none"> <li>The cooling system is off. Turn cooling back on. See <i>Operating Instructions</i>.</li> </ul>
Water has poor taste/odor	<ul style="list-style-type: none"> <li>Water dispenser has not been used for a long time. Dispense water, until all water in system is replenished.</li> </ul>
Water in glass is warm	<ul style="list-style-type: none"> <li>Normal when refrigerator is first installed. Wait 24 hours for the refrigerator to completely cool down.</li> </ul>
	<ul style="list-style-type: none"> <li>Water dispenser has not been used for a long time. Dispense water, until all water in system is replenished.</li> </ul>
	<ul style="list-style-type: none"> <li>Water system has drained. Allow several hours for replenished supply to chill.</li> </ul>
Water dispenser does not work	<ul style="list-style-type: none"> <li>Water supply line turned off or not connected. See <i>Installing the Water Line</i>.</li> </ul>
	<ul style="list-style-type: none"> <li>Water filter clogged or filter/bypass plug* not installed. Replace filter cartridge or remove filter and install bypass plug.</li> </ul>
	<ul style="list-style-type: none"> <li>Air may be trapped in the water system. Press the dispenser arm for at least 5 minutes.</li> </ul>
	<ul style="list-style-type: none"> <li>Water in reservoir is frozen because the controls are set too cold. Set the refrigerator control to a warmer setting and wait 24 hours. If the water does not dispense after 24 hours, call for service.</li> </ul>
Water spurting from dispenser	<ul style="list-style-type: none"> <li>Newly installed filter cartridge. Run cold water from the dispenser for 5 minutes (about 2 gallons).</li> </ul>
No water or ice cube production	<ul style="list-style-type: none"> <li>Supply line or shutoff valve is clogged. Call a plumber.</li> </ul>
	<ul style="list-style-type: none"> <li>Water filter is clogged. Replace filter cartridge or remove filter and install bypass plug*.</li> </ul>
	<ul style="list-style-type: none"> <li>Filter cartridge not properly installed. Remove and reinstall filter cartridge, being certain that it locks in place.</li> </ul>
	<ul style="list-style-type: none"> <li>Ice maker is turned off. Check that the ice maker is turned on. See <i>Automatic Ice Maker</i>.</li> </ul>
Water is leaking from dispenser	<ul style="list-style-type: none"> <li>Air may be present in the water line system, causing water to drip after being dispensed. Dispense water for at least 5 minutes to remove air from system.</li> </ul>
Freezer cooling, fresh food not cooling	<ul style="list-style-type: none"> <li>Normal, when refrigerator first plugged in or after extended power outage. Wait 24 hours for temperature in both compartments to reach selected temperatures.</li> </ul>

\*Some models do not come equipped with the filter bypass plug. To obtain a free bypass plug, call 800-GECARES. In Canada, call 800.561.3344.

# Performance Data Sheet

## Model: GE RPWFE

Use Replacement Cartridge RPWFE.

The concentration of the indicated substances in water entering the system was reduced to a concentration less than or equal to the permissible limit for water leaving the system as specified in NSF/ANSI Standard 42 and Standard 53. System tested and certified by NSF International against NSF/ANSI Standard 42 and Standard 53 for the reduction of substances listed below.

### Capacity 170 Gallons (643.5 Liters). Contaminant Reduction Determined by NSF testing.

Substance Tested for Reduction	Average Influent	NSF specified Challenge Concentration	Avg % Reduction	Average Product Water Concentration	Max Permissible Product Water Concentration	NSF Reduction Requirements	NSF Test Report
Chlorine Taste and Odor	2.0 mg/L	2.0 mg/L ± 10%	97.4%	0.05 mg/L	N/A	≥50%	J-00102044
Nominal Particulate Class I, ≥0.5 to < 1.0 µm	7,633,333 pts/mL	At least 10,000 particles/mL	99.0%	71,850 pts/ml	N/A	≥85%	J-00106249
Asbestos	109 MFL	10 <sup>7</sup> to 10 <sup>8</sup> fibers/L; fibers greater than 10µm in length	99.99%	<1 MFL	N/A	≥99%	J-00102069
Atrazine	0.009 mg/L	0.009 mg/L ± 10%	94.4%	0.0005 mg/L	0.003 mg/L	N/A	J-00102058
Benzene	0.016 mg/L	0.015 mg/L ± 10%	96.4%	0.001 mg/L	0.005 mg/L	N/A	J-00102065
Carbofuran	0.08 mg/L	0.08 mg/L ± 10%	98.8%	0.001 mg/L	0.04 mg/L	N/A	J-00102059
Cyst*	104,750 cysts/L	Minimum 50,000 cysts/L	99.99%	3 cyst/L	N/A	≥99.95%	J-00102057
Lead pH @6.5	0.140 mg/L	0.15 mg/L ± 10%	99.3%	0.001 mg/L	0.010 mg/L	N/A	J-00102052
Lead pH @8.5	0.158 mg/L	0.15 mg/L ± 10%	98.3%	0.002 mg/L	0.010 mg/L	N/A	J-00102053
Mercury @ pH 6.5	0.006 mg/L	0.006 mg/L ± 10%	91%	0.0003 mg/L	0.002 mg/L	N/A	J-00102054
Mercury @ pH 8.5	0.006 mg/L	0.006 mg/L ± 10%	88.3%	0.0007 mg/L	0.002 mg/L	N/A	J-00104087
Lindane	0.002 mg/L	0.002 mg/L ± 10%	99%	0.00002 mg/L	0.0002 mg/L	N/A	J-00102063
P-Dichlorobenzene	0.222 mg/L	0.225 mg/L ± 10%	99.8%	0.0005 mg/L	0.075 mg/L	N/A	J-00102067
Toxaphene	0.015 mg/L	0.015 mg/L ± 10%	93.5%	0.001 mg/L	0.003 mg/L	N/A	J-00102061
2, 4-D Reduction	0.218 mg/L	0.210 mg/L±10%	99.9%	0.0001 mg/L	0.07 mg/L	N/A	J-00102064
VOC	0.278 mg/L	0.300 mg/L ± 10%	97.7%	0.0015 mg/L	N/A	≥95%	J-00102070

\*Based on the use of Cryptosporidium parvum oocysts.

The following pharmaceutical reduction claims have not been certified by NSF International. Claims tested and verified by independent laboratory:

Substance Reduction	Average Influent	NSF specified Challenge Concentration	Avg % Reduction	Average Product Water Concentration	Max Permissible Product Water Concentration	NSF Test Report
Atenolol	1088 ng/L	N/A	99.5%	5.0 ng/L	N/A	J-00103221
Fluoxetine	845 ng/L	N/A	99.4%	5.0 ng/L	N/A	J-00103221
Ibuprofen	898 ng/L	N/A	98.8%	9.9 ng/L	N/A	J-00103726
Progesterone	945 ng/L	N/A	99.4%	5.5 ng/L	N/A	J-00103727
Trimethoprim	403 ng/L	N/A	99.5%	2.0 ng/L	N/A	J-00103221

### Application Guidelines/Water Supply Parameters

Service Flow	0.5 gpm (1.89 lpm)	Water Pressure	25-120 psi (172- 827 kPa)
Water Supply	Potable Water	Water Temperature	33° F - 100° F (0.6° C - 38° C)

It is essential that the manufacturer's recommended installation, maintenance and filter replacement requirements be carried out for the product to perform as advertised. See Installation Manual for Warranty information.

**Note:** While the testing was performed under standard laboratory conditions, actual performance may vary.

Replacement Cartridge: RPWFE. For estimated costs of replacement elements please call 1-800-626-2002 or visit our website at [www.geapplianceparts.com](http://www.geapplianceparts.com).

### ⚠ WARNING

To reduce the risk associated with ingestion of contaminants:

- Do not use with water that is microbiologically unsafe or of unknown quality without adequate disinfection before and after the system. Systems certified for cyst reduction may be used on disinfected water that may contain filterable cysts. EPA Establishment Number 070595-MEX-001.

### NOTICE

To reduce the risk of water leakage or flooding, and to ensure optimal filter performance:

- Read and follow use instructions before installation and use of this system.
- Installation and use **MUST** comply with all state and local plumbing codes.

- Do not install if water pressure exceeds 120 psi (827 kPa). If your water pressure exceeds 80 psi, you **must** install a pressure-limiting valve. Contact a plumbing professional if you are uncertain how to check your water pressure.
- Do not install where water hammer conditions may occur. If water hammer conditions exist you **must** install a water hammer arrester. Contact a plumbing professional if you are uncertain how to check for this condition.
- Do not install on hot water supply lines. The maximum operating water temperature of this filter system is 100° F (38° C).
- Protect filter from freezing. Drain filter when temperatures drop below 33°F (0.6°C).
- Change the disposable filter cartridge every six months or sooner if you observe a noticeable reduction in water flow rate.
- Failure to replace the disposable filter cartridge at recommended intervals may lead to reduced filter performance and cracks in the filter housing, causing water leakage or flooding.

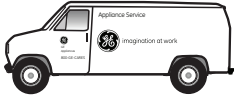


Tested and certified by NSF International against NSF/ANSI Standard 42 and Standard 53 in model GE RPWF and GE RPWFE for the reduction of the claims specified on the performance data sheet.

RPWFE

# RPWFE Water Filter Cartridge Limited Warranty.

Staple your receipt here. Proof of the original purchase date is needed to obtain service under the warranty.



Contact us at [www.geapplianceparts.com](http://www.geapplianceparts.com), or call 800.GE.CARES.

For The Period Of:	We Will Replace, At No Charge To You:
<b>Thirty Days</b> From the date of the original purchase	<b>Any part</b> of the water filter cartridge which fails due to a defect in materials or workmanship during this <b>limited thirty-day warranty.*</b>

### What is Not Covered:

- Service trips to your home to teach you how to use the product.
- Improper installation.
- Failure of the product if it is abused, misused, used for other than the intended purpose or used commercially.
- Replacement of house fuses or resetting of circuit breakers.
- Replacement of the water filter cartridge due to water pressure that is outside the specified operating range or due to excessive sediment in the water supply.
- Damage to the product caused by accident, fire, floods or acts of God.
- Incidental or consequential damage caused by possible defects with this appliance.

*This warranty is extended to the original purchaser and any succeeding owner for products purchased for home use within the U.S.A. In Alaska, the warranty excludes the cost of shipping or service calls to your home.*

*Some states do not allow the exclusion or limitation of incidental or consequential damages. This warranty gives you specific legal rights, and you may also have other rights which vary from state to state. To know what your legal rights are, consult your local or state consumer affairs office or your state's Attorney General.*

**For Purchases Made In Iowa:** This form must be signed and dated by the buyer and seller prior to the consummation of this sale.

This form should be retained on file by the seller for a minimum of two years.

**Buyer:**

**Seller:**

\_\_\_\_\_  
Name

\_\_\_\_\_  
Name

\_\_\_\_\_  
Address

\_\_\_\_\_  
Address

\_\_\_\_\_  
City State Zip

\_\_\_\_\_  
City State Zip

\_\_\_\_\_  
Signature Date

\_\_\_\_\_  
Signature Date

\*If your GE part fails because of a manufacturing defect within thirty days from the date of original purchase for use, we will give you a new or, at our option, a rebuilt part without charge. Return the defective part to the parts supplier from whom it was purchased together with a copy of the "proof of purchase" for the part. If the part is defective and shows no signs of abuse, it will be exchanged. The warranty does not cover the failure of parts which are damaged while in your possession, are abused, or have been installed improperly. It does not cover the cost of returning the part to the supplier from whom it was purchased nor does it cover the cost of labor to remove or install it to diagnose the fault. It does not cover parts used in products in commercial use except in the case of air conditioning equipment. In no event shall GE be liable for consequential damages. Warrantor: General Electric Company

EXCLUSION OF IMPLIED WARRANTIES: Your sole and exclusive remedy is part exchange as provided in this Limited Warranty. Any implied warranties, including the implied warranties of merchantability or fitness for a particular purpose, are limited to six months or the shortest period allowed by law.



**GE**  
Appliances  
Appliance Park  
Louisville, KY 40225  
[geapplianceparts.com](http://geapplianceparts.com)

**RPWFE**

34-8715-2704-9

EPA #070595-MEX-001

© 2014 General Electric Company PC78863

**With the purchase of your new Monogram appliance, receive the assurance that if you ever need information or assistance from GE, we'll be there. All you have to do is call—toll-free!**

## GE Answer Center®

**In the USA:  
800.626.2000**

Whatever your question about any Monogram major appliance, GE Answer Center® information service is available to help. Your call—and your question—will be answered promptly and courteously. Call the GE Answer Center® Monday to Friday, 8 a.m. to 10 p.m. EST, and Saturday, 8 a.m. to 7 p.m. EST.

**OR**

Visit our Website at: [monogram.com](http://monogram.com)

**In Canada, call 1.800.561.3344.**

## In-Home Repair Service

**In the USA:  
800.444.1845**

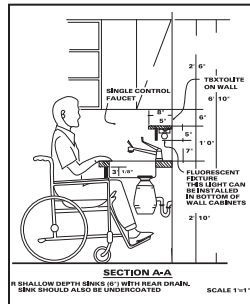
**In Canada:  
1.800.561.3344**

A GE consumer service professional will provide expert repair service, scheduled at a time that's convenient for you. To schedule service, call Monday to Friday, 7 a.m. to 10 p.m. EST, or Saturday and Sunday, 8 a.m. to 6 p.m. EST. Many GE Consumer Service company-operated locations offer you service today or tomorrow, or at your convenience. Our factory-trained technicians know your appliance inside and out—so most repairs can be handled in just one visit.

**In Canada: Monday to Friday, 7 a.m. to 8 p.m. and Saturday, 8 a.m. to 5 p.m. EDT.**

## For Customers With Special Needs...

**In the USA:  
800.626.2000**



GE offers Braille controls for a variety of GE appliances, and a brochure to assist in planning a barrier-free kitchen for persons with limited mobility.

Consumers with impaired hearing or speech who have access to a TDD or a conventional teletypewriter may call 800.TDD.GEAC (800.833.4322) to request information or service.

## Service Contracts

**In the USA:  
800.626.2224**

**In Canada:  
1.800.561.3344**

You can have the secure feeling that GE Consumer Service will still be there after your warranty expires. Purchase a GE contract while your warranty is still in effect and you'll receive a substantial discount. With a multiple-year contract, you're assured of future service at today's prices.

## Parts and Accessories

**In the USA:  
800.626.2002**

**In Canada:  
1.800.561.3344**

**Individuals qualified to service their own appliances** can have parts or accessories sent directly to their home. The GE parts system provides access to over 47,000 parts...and all GE Genuine Renewal Parts are fully warranted. VISA, MasterCard and Discover cards are accepted. Visit [www.geapplianceparts.com](http://www.geapplianceparts.com).

**User maintenance instructions contained in this manual cover procedures intended to be performed by any user. Other servicing generally should be referred to qualified service personnel. Caution must be exercised, since improper servicing may cause unsafe operation.**



**YOUR MONOGRAM REFRIGERATOR WARRANTY**

**Staple sales slip or cancelled check here. Proof of original purchase date is needed to obtain service under warranty.**

**WHAT IS COVERED**

*From the Date of the Original Purchase*

**LIMITED ONE-YEAR WARRANTY**

For one year from date of original purchase, we will provide, free of charge, parts and service labor in your home to repair or replace *any part of the refrigerator* that fails because of a manufacturing defect.

**LIMITED FIVE-YEAR WARRANTY**

For five years from date of original purchase, we will provide, free of charge, parts and service labor in your home to repair or replace *any part of the sealed refrigerating system* (the compressor, condenser, evaporator and all connecting tubing) that fails because of a manufacturing defect.

**LIMITED THIRTY-DAY WARRANTY ON WATER FILTER CARTRIDGE (Water filter, if included)**

From the date of the original purchase we will provide, free of charge, replacement parts for *any part of the water filter cartridge* that fails because of a manufacturing defect. During this limited thirty-day warranty, we will also provide, free of charge, a replacement water filter cartridge.

This warranty is extended to the original purchaser and any succeeding owner for products purchased for ordinary home use in the 48 mainland states, Hawaii, Washington, D.C. or Canada. If the product is located in an area where service by a GE Authorized Servicer is not available, you may be responsible for a trip charge or you may be required to bring the product to an Authorized GE Service location for service. In Alaska the warranty is the same except that it is LIMITED because you must pay to ship the product to the service shop or for the service technician's travel costs to your home.

All warranty service will be provided by our Factory Service Centers or by our authorized Customer Care® servicers during normal working hours.

Should your appliance need service, during warranty period or beyond, in the USA call 800.444.1845. In Canada: 800.561.3344. Please have your serial number and model number available when calling for service.

**WHAT IS NOT COVERED**

- Service trips to your home to teach you how to use the product.
- Replacement of house fuses or resetting of circuit breakers.
- Damage to the product caused by accident, fire, floods or acts of God.
- Failure of the product if it is used for other than its intended purpose or used commercially.
- Damage caused after delivery.
- Improper installation, delivery or maintenance. If you have an installation problem, contact your dealer or installer. You are responsible for providing adequate electrical, plumbing and other connecting facilities.
- Replacement of the light bulbs, if included,
- or water filter cartridge, if included, other than as noted above.
- Replacement of the water filter cartridge, if included, due to water pressure that is outside the specified operating range or due to excessive sediment in the water supply.
- Loss of food due to spoilage (in the USA only).
- Incidental or consequential damage caused by possible defects with this appliance.
- Product not accessible to provide required service.

**EXCLUSION OF IMPLIED WARRANTIES—Your sole and exclusive remedy is product repair as provided in this Limited Warranty. Any implied warranties, including the implied warranties of merchantability or fitness for a particular purpose, are limited to one year or the shortest period allowed by law.**

Some states/provinces do not allow the exclusion or limitation of incidental or consequential damages, so the above limitation or exclusion may not apply to you. This warranty gives you specific legal rights, and you may also have other rights which vary from state to state/province to province. To know what your legal rights are in your state/province, consult your local or state/provincial consumer affairs office or your state's Attorney General.

**Warrantor in USA: General Electric Company,  
Louisville, KY 40225**

**Warrantor in Canada: Mabe Canada Inc.**



**GE Consumer & Industrial**  
Appliances  
General Electric Company  
Louisville, KY 40225  
GEAppliances.com

## Introduction

Votre nouveau réfrigérateur Monogram constitue une éloquente démonstration de style, de commodité et de polyvalence en aménagement de cuisine. Que vous le choisissiez pour la pureté de sa ligne, son système de rangement pratique ou l'attention portée aux détails —ou pour toutes ces raisons— vous constaterez que la combinaison supérieure de forme et de fonctionnalité de votre réfrigérateur Monogram vous comblera pour les années à venir.

L'information qui suit vous aidera à utiliser et entretenir votre réfrigérateur correctement.

Pour toute question, visitez notre site Web sur **monogram.com**

---

## Sommaire

### Services aux consommateurs

Numéros de téléphone importants .....	41
Numéros de modèle et de série .....	24
Fiche technique de performance .....	39
Résolveur de problèmes .....	37-38
Enregistrement du produit .....	24
Consignes de sécurité .....	25-26
Garantie .....	42
Garantie du filtre à eau .....	40

### Entretien et nettoyage

Nettoyage — Extérieur et intérieur .....	35
Remplacement des lampes .....	36
Déménagement .....	35
Vacances .....	35

### Mode d'emploi

Machine à glaçons automatique .....	34
Fonctions supplémentaires .....	27
Tiroir à température contrôlée .....	33
Distributeur d'eau intérieur .....	28
Tablettes et balconnets .....	30-32
Commandes de température .....	27
Filtre à eau .....	29

---

## Avant d'utiliser votre réfrigérateur

Lisez ce manuel attentivement. Il est conçu pour vous aider à utiliser et entretenir correctement votre nouveau réfrigérateur.

Gardez-le à portée de la main pour répondre à vos questions.

Si quelque chose vous échappe ou avez besoin d'aide, une liste de numéros d'assistance au consommateur sans frais se trouve dans la dernière section de ce manuel.

**OU**

Visitez notre site Web sur **monogram.com**

## Renseignements du consommateur

Réfrigérateur en acier inoxydable

*Notez les numéros de modèle et de série*

Ils figurent sur une étiquette à l'intérieur du compartiment réfrigérateur dans le haut du côté droit.

Veillez inscrire ces numéros sur la fiche d'inscription de propriété du produit du consommateur incluse dans la matériel d'emballage.

**Avant de nous faire parvenir cette carte, veuillez aussi inscrire ces numéros ici :**

Numéro de modèle

Numéro de série

Utilisez ces numéros dans toute correspondance ou appels de service concernant votre réfrigérateur..

*Si vous avez reçu un réfrigérateur endommagé*

Communiquez immédiatement avec le concessionnaire (ou l'entrepreneur) qui vous a vendu le réfrigérateur.

*Économisez temps et argent*

Avant de demander un service technique, consultez le Résolveur de problèmes au dos de ce manuel.

Vous y trouverez une liste des problèmes de fonctionnement mineurs que vous pouvez résoudre par vous-même.

*Si vous avez besoin d'un service technique*

Pour obtenir un service technique, consultez la page Services au consommateur au dos de ce manuel.

Nous sommes fiers de notre assistance technique et nous souhaitons votre satisfaction. Si pour une raison quelconque vous n'êtes pas satisfait du service reçu, voici la marche à suivre pour obtenir de l'aide supplémentaire.

### **Consommateurs aux États-Unis :**

D'ABORD, communiquez avec les personnes qui ont réparé votre appareil. Expliquez la raison de votre mécontentement. Dans la plupart des cas, cette démarche résoudra le problème.

ENSUITE, si vous n'êtes toujours pas satisfait, écrivez tous les détails, incluant votre numéro de téléphone, à l'adresse suivante:

Manager, Customer Relations  
GE Appliances  
Appliance Park  
Louisville, KY 40225

### **Consommateurs au Canada :**

D'ABORD, communiquez avec les personnes qui ont réparé votre appareil. Expliquez la raison de votre mécontentement. Dans la plupart des cas, cette démarche résoudra le problème.

ENSUITE, si vous n'êtes toujours pas satisfait, écrivez tous les détails, incluant votre numéro de téléphone, à l'adresse suivante:

Manager, Consumer Relations  
Mabe Canada Inc.  
1 Factory Lane, Suite 310  
Moncton, N.B. E1C 9M3



## LIRE ET CONSERVER CES INSTRUCTIONS

**⚠** Ce symbole représente une alerte de sécurité. Ce symbole vous avise de dangers possibles pouvant causer la mort, des blessures ou autres. Tous les messages de sécurité seront précédés du symbole d'alerte de sécurité ainsi que des mots « DANGER », « AVERTISSEMENT » ou « MISE EN GARDE ». Ces messages sont les suivants :

**⚠ DANGER** Signale une situation qui présente un danger imminent et qui, si elle n'est pas évitée, entraînera des blessures graves, voire la mort.

**⚠ AVERTISSEMENT** Signale une situation qui présente un danger imminent et qui, si elle n'est pas évitée, peut entraîner des blessures graves, voire la mort. .

**⚠ ATTENTION** Signale une situation qui présente un danger imminent et qui, si elle n'est pas évitée, peut entraîner des blessures mineures ou graves.

**⚠ AVERTISSEMENT** Lorsque vous utilisez le réfrigérateur, observez toujours certaines précautions de base, notamment :

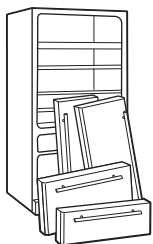
- **N'utilisez le réfrigérateur que pour son usage prévu**, comme décrit dans le présent manuel.
- **Installez le réfrigérateur conformément aux directives d'installation avant de l'utiliser.**
- **Ne laissez pas les enfants grimper, s'asseoir, se tenir debout ni se pendre aux clayettes du réfrigérateur.** Ils pourraient endommager le réfrigérateur et se blesser gravement.
- **N'entreposez et n'utilisez pas d'essence ou autres vapeurs et liquides inflammables à proximité de cet appareil ou de tout autre appareil électroménager.**
- **Débranchez votre réfrigérateur avant de le nettoyer et de le réparer.**  
**REMARQUE :** Nous vous recommandons vivement de confier toute réparation à un technicien qualifié.  
**REMARQUE :** L'alimentation électrique du réfrigérateur ne peut pas être coupée par l'intermédiaire du panneau de commande.
- Nous déconseillons fortement l'utilisation d'une rallonge à cause des risques potentiels dans certaines conditions. Cependant, si l'utilisation d'un cordon prolongateur est nécessaire, ce dernier doit obligatoirement être homologué UL (aux USA) ou CSA (au Canada), à trois brins avec mise à la terre pour appareil électroménager et doit être équipé d'une fiche et d'une prise femelle avec terre. Les caractéristiques électriques du cordon prolongateur doivent être de 15 ampères (minimum) et de 120 volts.
- Remettez toutes les pièces et panneaux en place avant d'utiliser l'appareil.

### **⚠ ATTENTION**

- **Une fois le réfrigérateur en marche, ne touchez pas les surfaces froides du congélateur, surtout si vous avez les mains humides ou mouillées :** la peau risque d'adhérer à ces surfaces très froides.
- **Pour les réfrigérateurs dotés d'une machine à glaçons automatique,** évitez le contact avec les pièces mobiles du mécanisme éjecteur, ou avec l'élément chauffant situé à la partie inférieure de la machine à glaçons. Ne posez pas les doigts ou les mains sur le mécanisme de la machine à glaçons pendant que le réfrigérateur est branché.
- **Éloignez les doigts des parties du réfrigérateur où l'on peut facilement se pincer :** les espaces entre les portes et entre les portes et les placards sont toujours étroits. Soyez prudent lorsque vous fermez les portes de l'appareil en présence des enfants.
- **Ne faites pas recongeler des aliments surgelés qui ont complètement dégelé.**
- **Ne nettoyez pas les clayettes ou les couvercles en verre avec de l'eau tiède quand ceux-ci sont froids.** Les clayettes et couvercles en verre peuvent se casser s'ils sont exposés à des changements soudains de température ou si vous les cognez ou les faites tomber. Le verre trempé est conçu pour se briser en petits morceaux en cas de casse.

### **⚠ DANGER**

## RISQUES POUR LES ENFANTS



Les enfants pris au piège ou morts d'asphyxie sont toujours d'actualité. Les appareils de réfrigération abandonnés sont toujours aussi dangereux, même si on n'attend que "quelque jours" pour s'en débarrasser. Si vous ne gardez pas votre ancien appareil, veuillez suivre les directives ci-dessous afin de prévenir les accidents.

### **Avant de vous débarrasser de votre vieux appareil de réfrigération :**

- Démontez les portes.
- Laissez les clayettes en place afin d'empêcher les enfants de grimper à l'intérieur.

## RÉFRIGÉRANTS

Tous les appareils de réfrigération contiennent des réfrigérants qui, conformément aux lois fédérales, doivent être enlevés avant toute élimination de l'appareil.

Si vous vous débarrassez de vieux appareils de réfrigération, vérifiez, auprès de la société qui s'occupe de leur élimination, ce que vous devez faire.

# MESURES DE SÉCURITÉ IMPORTANTES



AVERTISSEMENT



**Risque d'explosion.**

Conservez les matériaux et vapeurs inflammables tels que l'essence à l'écart de votre réfrigérateur. Une explosion, un incendie voire la mort pourrait en résulter.



AVERTISSEMENT



**Risque de basculement**

Les modèles encastrés (modèles PYE, CYE et PWE) sont plus lourds au niveau de leur partie supérieure, surtout avec les portes ouvertes. Ces modèles doivent être fixés à l'aide du système anti-basculement par fixation au sol pour éviter que l'appareil ne bascule vers l'avant, ce qui pourrait entraîner des blessures graves, voire mortelles. Lisez et suivez les instructions d'installation complètes pour l'installation du système anti-basculement par fixation au sol livré avec votre réfrigérateur.



AVERTISSEMENT



**Risque de choc électrique.**

Branchez l'appareil dans une prise triple avec terre.  
Ne retirez pas la broche de terre.  
N'utilisez pas d'adaptateur.

Le non-respect de ces instructions peut entraîner des risques d'incendies, des chocs électriques ou la mort.

## RACCORDEMENT ÉLECTRIQUE

**Ne coupez ni retirez en aucun cas la troisième broche (mise à la terre) de la fiche du cordon d'alimentation. Pour votre sécurité, cet appareil doit être correctement mis à la terre.**

Le cordon d'alimentation de cet appareil est muni d'une fiche à 3 broches (mise à la terre) qui se branche dans une prise murale ordinaire à 3 alvéoles (mise à la terre) pour réduire au minimum les risques de chocs électriques.

Faites examiner la prise de courant et le circuit par un électricien qualifié pour vous assurer que la prise est correctement mise à la terre.

Si la prise murale est du type standard à 2 alvéoles, il vous incombe de la faire remplacer par une prise à 3 alvéoles correctement mise à la terre.

La machine à glaçons doit toujours être branché dans sa propre prise de courant, dont la tension nominale est identique à celle indiquée sur la plaque signalétique.

Une alimentation électrique à 115 volts CA, 60 Hz, avec un fusible de 15 ou 20 ampères et une mise à la terre est nécessaire. Cette précaution est recommandée pour garantir un rendement optimum et éviter une surcharge des circuits électriques de la résidence, ce qui pourrait créer un risque d'incendie par surschauffe des fils.

Ne débranchez jamais l'appareil en tirant le cordon d'alimentation. Saisissez fermement la fiche du cordon et tirez droit pour la retirer de la prise.

Réparez ou remplacez immédiatement tout cordon effiloché ou endommagé. N'utilisez pas un cordon fendillé ou présentant des signes d'usure.

Lorsque vous déplacez l'appareil du mur, faites attention de ne pas la faire rouler sur le cordon d'alimentation afin de ne pas l'endommager.

## CORDONS PROLONGATEURS

**Nous vous recommandons fortement de ne pas utiliser de cordons prolongateurs à cause des risques potentiels qu'ils présentent dans certaines conditions.**

Toutefois si vous décidez d'utiliser tout de même un cordon prolongateur, il est absolument nécessaire qu'il s'agisse d'un cordon à 3 fils avec mise à la terre pour appareils électroménagers homologué UL aux États-Unis) ou homologué CSA (au Canada), pourvu d'une fiche et d'une prise mises à la terre de 15 ampères (minimum) et de 120 volts.

### Commandes de température

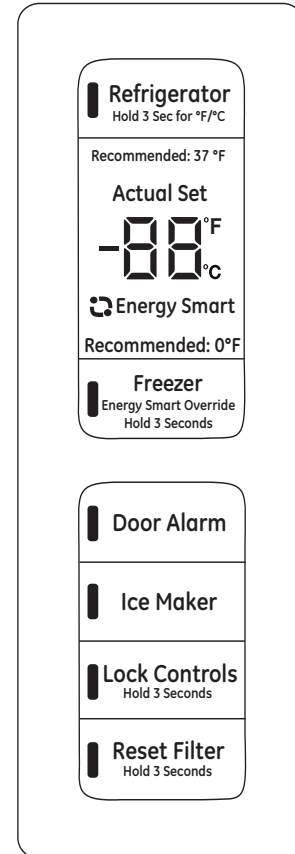
#### Modification des commandes de température

L'affichage de température est situé sur l'intérieur de la porte réfrigérateur gauche. **Pour modifier la température**, appuyez et relâchez la touche **REFRIGERATOR** (Réfrigérateur) ou **FREEZER** (Congélateur). Le témoin **ACTUAL TEMP** (Température actuelle) s'allumera et l'affichage indiquera la température actuelle. Pour modifier la température, tapotez la touche **REFRIGERATOR** ou **FREEZER** jusqu'à ce que la température voulue soit affichée.

Pour éteindre (**OFF**) le système de refroidissement, maintenez une pression simultanément sur les touches **REFRIGERATOR** et **FREEZER** pendant 3 secondes. Lorsque le système de refroidissement est éteint, l'affichage devrait indiquer **OFF**. Pour rallumer le système de refroidissement, pressez la touche **REFRIGERATOR** ou **FREEZER**. L'affichage indiquera les réglages de température prédéfinis de **37 °F** pour le réfrigérateur et de **0°F** pour le congélateur. L'extinction du système de refroidissement met fin au refroidissement du réfrigérateur, mais ne coupe pas l'alimentation électrique.

**REMARQUE: Le réfrigérateur est livré avec un film protecteur sur les commandes de températures. Si le film n'a pas été retiré pendant l'installation, retirez-le maintenant.**

**REMARQUE :** Pour une température optimale, il est recommandé d'éviter de placer la nourriture ou d'autres produits directement devant les bouches de circulation d'air ou devant la tour de ventilation autour des aliments frais, empêchant ainsi le flux d'air.



### Alarme de porte

L'alarme de porte retentira si l'une des portes est ouverte pendant plus de 2 minutes. La sonnerie s'arrête lorsque vous fermez la porte.

### Machine à glaçons

Pressez pour allumer ou éteindre la machine à glaçons.

### Commandes de verrouillage

Maintenez la pression pendant 3 secondes pour verrouiller ou déverrouiller les commandes du réfrigérateur et du congélateur.

### Réinitialisation du filtre

Maintenez la pression pendant 3 secondes après le remplacement du filtre pour réinitialiser la minuterie.

### Mode Sabbath

Appuyer simultanément pendant trois secondes sur le bouton de verrouillage et sur celui de la lumière (alarme de porte et des boutons de la machine à glaçons pour les non-dispense modèles) pour activer ou désactiver le mode Sabbath.

Activer le mode Sabbath pour éteindre les lumières intérieures, le contrôle de la température et les fonctions avancées. Lorsqu'il sera en mode Sabbath, le compresseur sera alimenté par une décongélation programmée.

### Distributeur d'eau intérieur

Le distributeur d'eau est situé sur la paroi gauche à l'intérieur du compartiment réfrigérateur.

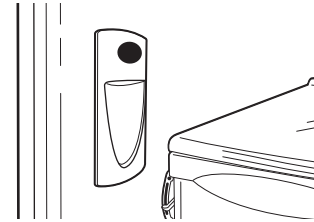
#### Pour distribuer l'eau :

- 1 Tenir le verre contre le renforcement.
- 2 Pousser le bouton du distributeur d'eau.
- 3 Tenir le verre sous le distributeur pendant 2 à 3 secondes après le relâchement du bouton, car il est possible que l'eau continue de couler une fois le bouton relâché.

*L'absence d'écoulement d'eau lors de l'installation initiale du réfrigérateur peut s'expliquer par la présence d'air dans la conduite d'eau. Pressez le bouton du distributeur et faites couler 1,5 gallons (5 à 6 litres) d'eau pour expulser l'air emprisonné*

*dans la conduite et remplir le système d'eau. Durant ce processus, le distributeur peut devenir bruyant en raison de l'air expulsé du système. Ensuite, jetez les premiers 6 verres d'eau pleins pour expulser les impuretés de la conduite.*

**REMARQUE :** Pour prévenir les dépôts, le distributeur doit être nettoyé régulièrement à l'aide d'une éponge ou d'un linge propres



## Cartouche filtrante à eau

La cartouche filtrante à eau est située sur la paroi gauche de l'intérieur du compartiment réfrigérateur, dans le haut.

Certains modèles utilisent l'identification par radiofréquence (IRF) pour détecter les fuites et contrôler l'état du filtre. La technologie IRF est homologuée par la FCC.

**FCCID: ZKJ-EBX1532P001 ICID: 10229A-EBX1532P001**

« Cet appareil est conforme aux prescriptions de la partie 15 des règles de la FCC. Le fonctionnement de cet équipement est assujéti aux deux conditions suivantes : (1) Cet appareil ne doit pas causer de brouillage préjudiciable; et (2) cet appareil doit accepter tout brouillage qu'il reçoit, y compris celui pouvant entraîner un fonctionnement indésirable. »

« Cet appareil est conforme aux normes RSS d'Industrie Canada relatives aux dispositifs exempts de licence. Le fonctionnement de cet équipement est assujéti aux deux conditions suivantes : (1) Cet appareil ne doit pas causer de brouillage; et (2) cet appareil doit accepter tout brouillage, y compris celui pouvant entraîner un fonctionnement indésirable. »

## À quel moment remplacer la cartouche filtrante

La cartouche filtrante doit être remplacée tous les 6 mois ou plus tôt si 644 litres (170 gallons) d'eau ont été distribués ou si le débit d'eau du distributeur ou de la machine à glaçons diminue.

**Modèles à écran tactile :** Un message d'état du filtre apparaîtra à l'écran lorsqu'il faudra remplacer le filtre à eau. L'état du filtre sera mis à jour dès le remplacement du filtre.

**Modèles sans écran tactile :** Un témoin lumineux s'allumera sur l'écran lorsqu'il faudra remplacer le filtre à eau.

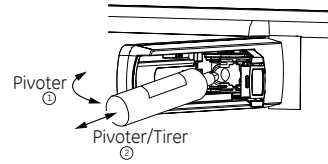
## Remplacement de la cartouche filtrante

Pour remplacer le filtre, retirer d'abord la cartouche usée en ouvrant le panneau d'accès du filtre puis tirer sur le bas de la cartouche pour permettre son pivotement vers l'extérieur. Lorsque la cartouche ne peut plus pivoter, tirer délicatement pour la dégager de son support. **NE PAS TORDRE LA CARTOUCHE.** Une petite quantité d'eau pourrait s'échapper.

## Installation de la cartouche filtrante

1. Aligner le dessus de la cartouche sur son support puis pousser la cartouche à fond. La flèche de l'étiquette pointant vers le haut indique une orientation adéquate.

2. Tout en s'assurant que la cartouche se trouve bien au fond de son support, pivoter délicatement la cartouche vers l'intérieur jusqu'en position. Si la cartouche ne pivote pas aisément, s'assurer qu'elle est correctement alignée et bien à fond dans son support.



3. Faites circuler 8 litres (2 gallons) d'eau dans le distributeur d'eau froide (environ 5 minutes) afin d'évacuer l'air du système. **De l'eau jaillira du distributeur suite à l'installation d'une nouvelle cartouche.** Utiliser une grande cruche ou une bouteille d'eau pour le sport pour recueillir le jet d'eau. **NE PAS** utiliser le distributeur d'eau chaude tant que l'air n'est pas totalement évacué du système.

4. Réinitialiser le message d'état du filtre (modèles sans écran tactile).



## Risque d'ébouillement.

L'utilisation du distributeur d'eau chaude avant l'évacuation de l'air du système peut provoquer un jaillissement d'eau très chaude causant des brûlures. Veiller à observer les instructions ci-dessus pour évacuer la totalité de l'air du système par le distributeur d'eau froide avant d'utiliser le distributeur d'eau chaude.

**REMARQUE :** Il est normal d'apercevoir un changement de la couleur de l'eau lors de la purge initiale du système. La couleur de l'eau reviendra à la normale après quelques minutes d'écoulement.

## Bouchon de dérivation du filtre

Pour réduire le risque de dommage à la propriété en raison de fuites d'eau, vous **DEVEZ** utiliser un bouchon de dérivation du filtre lorsqu'une cartouche filtrante de rechange n'est pas disponible. Certains modèles ne sont pas équipés d'un bouchon de dérivation de filtre. Pour en obtenir un gratuitement, composez le 800-GECARES. Au Canada, composez le 800.561.3344. Le distributeur et la machine à glaçons ne fonctionneront pas sans que ne soient installés le filtre ou le bouchon de dérivation. Le bouchon de dérivation s'installe de la même manière que la cartouche filtrante.



**Pour réduire le risque d'étouffement pendant l'installation de ce produit, ne pas laisser les petites pièces à la portée des enfants âgés de moins de 3 ans.** La cartouche de filtre jetable doit être remplacée tous les 6 mois, si sa capacité nominale est atteinte ou si une réduction notable du débit est observée

Pour les meilleurs résultats de votre système de filtration, GE recommande l'utilisation de filtres de marque GE seulement. L'utilisation de filtres de marque GE dans les réfrigérateurs GE et Hotpoint® procure les meilleurs rendement et fiabilité. Les filtres GE satisfont aux rigoureuses normes NSF de l'industrie relatives à la sûreté et la qualité, facteur important pour les produits qui filtrent votre eau. GE n'a pas évalué le rendement des filtres d'autres marques dans les réfrigérateurs GE et Hotpoint et il n'existe aucune assurance qu'ils satisferont les normes de qualité et de fiabilité GE.

**Pour toute question ou pour commander des cartouches filtrantes de rechange, visitez notre site Web au [www.geappliancesparts.com](http://www.geappliancesparts.com) ou composez le 800.626.2002 pour joindre le service des Pièces et accessoires GE.**

Les consommateurs du Canada doivent consulter les pages jaunes pour connaître le centre de service Camco le plus proche.

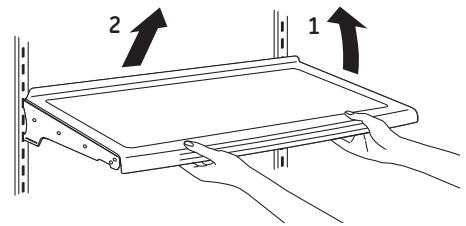
### Réorganisation des tablettes

Les tablettes du compartiment réfrigérateur sont réglables.

#### Compartiment réfrigérateur

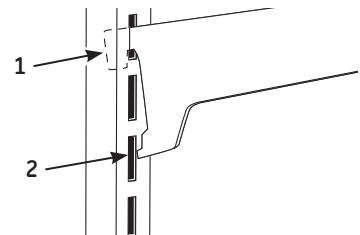
##### Pour enlever :

1. Enlevez tous les articles de la tablette.
2. Inclinez la tablette vers le haut à l'avant.
3. Soulevez la tablette à l'arrière et sortez-la.



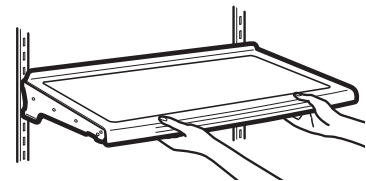
##### Pour replacer :

1. Tout en inclinant la table vers le haut, insérez le crochet supérieur à l'arrière dans une fente du rail.
2. Abaissez l'avant de la tablette jusqu'à ce que le bas se verrouille en place.



### Tablettes antigouttes

Les tablettes antigouttes sont dotées de rebords spéciaux qui préviennent l'égouttement sur les tablettes inférieures.

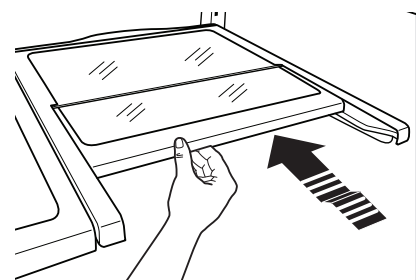


### Tablette QuickSpace™\*

Cette tablette se divise en deux et se glisse sous elle-même pour le rangement d'articles en hauteur sur la tablette du dessous.

Cette tablette peut être retirée et remplacée ou repositionnée (comme les tablettes antigouttes).

**REMARQUE : La moitié arrière de la tablette QuickSpace n'est pas réglable.**

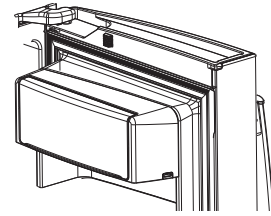


\*Certains modèles seulement

*Balconnet à produits laitiers non réglable*

**Pour enlever :** Soulevez le balconnet à produits laitiers en ligne droite, puis tirez vers l'extérieur.

**Pour replacer :** Introduisez le balconnet dans les supports de porte moulés et poussez vers le bas. Le balconnet se verrouillera en place.



*Balconnets réglables*

Les balconnets réglables peuvent facilement se transporter du réfrigérateur vers la zone de travail.

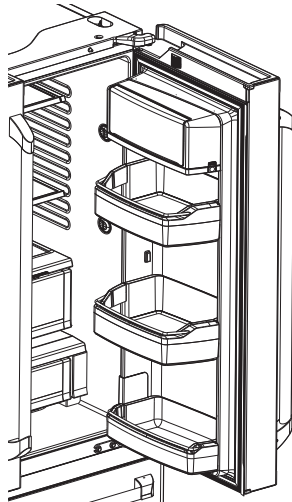
**Pour enlever :** Soulevez le balconnet en ligne droite, puis sortez-le.

**Pour replacer ou repositionner :** Glissez le balconnet juste au-dessus des supports de porte moulés, et poussez vers le bas. Le balconnet se verrouillera en place.

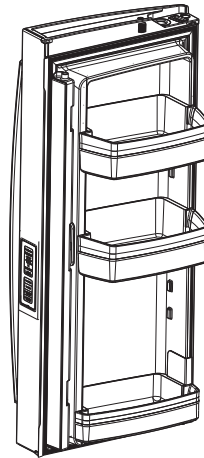
**Balconnet tombant\***  
(balconnet ouvert)

1. Ouvrez la porte du compartiment réfrigérateur droite
2. Enfoncez les deux boutons sur les côtés inférieurs du balconnet pour faire abaisser celui-ci.
3. Inversez la manœuvre pour remettre en place.

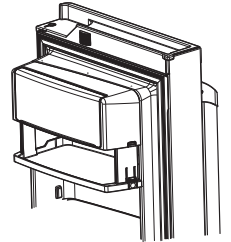
\*Certains modèles seulement



Modèles à distributeur  
(Porte droite)

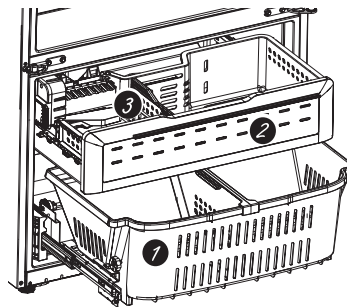


Modèles sans distributeur  
(Porte gauche)



*Panier et tiroir du congélateur*

1. Panier.
2. Tiroir
3. Récipient à glace\*



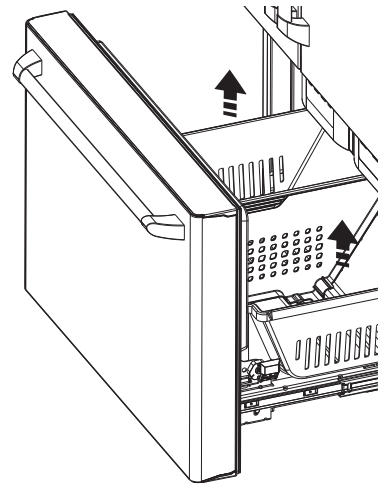
\*Certains modèles seulement

### Retrait du panier ( tiroir inférieur)

1. Ouvrez les portes du compartiment réfrigérateur.
2. Ouvrez la porte du compartiment congélateur jusqu'à la position d'arrêt.
3. Enlevez le panier du congélateur en le soulevant à l'arrière et en le pivotant vers le haut.
4. Soulevez-le pour le retirer.

**Pour remplacer :**

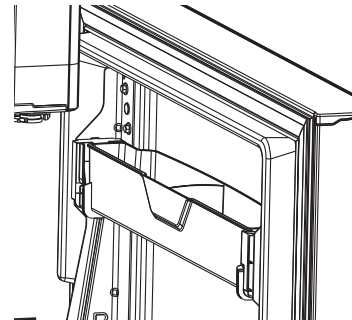
Inversez les étapes 1 à 4 pour le remplacer.



### Balconnets non réglables sur porte congélateur

**Pour enlever :** Poussez dans les languettes en plastique du côté gauche ou droit.

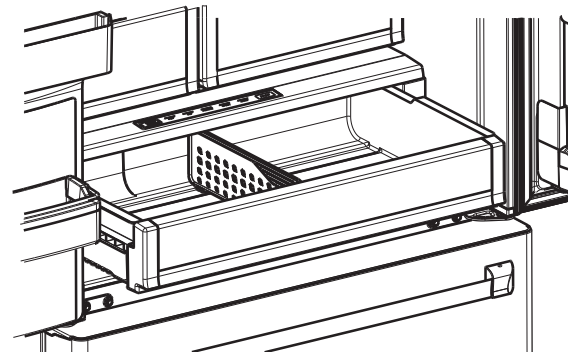
**Pour remplacer :** Glissez le balconnet à la position jusqu'à ce qu'il se verrouille en place.



### Tiroir pour charcuterie

**Pour enlever :** Tirez le tiroir jusqu'à la position d'arrêt. Soulevez l'avant du tiroir puis sortez-le.

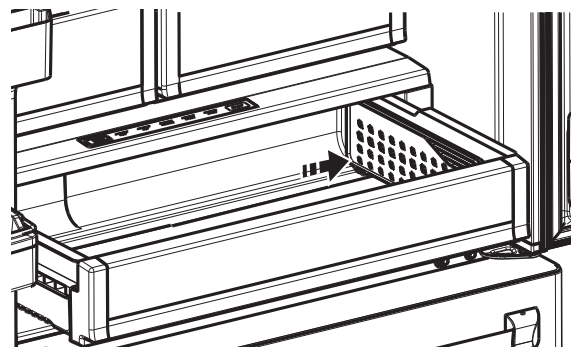
**Pour remplacer :** Tirez totalement les rails gauche et droit. Placez l'arrière du tiroir en premier et pivotez l'avant pour le déposer sur les rails. Poussez le tiroir en position fermée..



### Séparateur de tiroir\*

**Pour enlever :** Tirez le tiroir jusqu'en position d'arrêt. Glissez le séparateur vers la droite pour le dégager du plateau.

**Pour remplacer :** Placez le séparateur dans le sillon sur la droite et glissez-le vers la gauche au besoin.



\*Certains modèles seulement



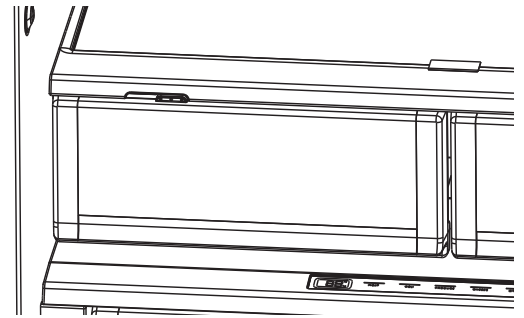
# Espace ClimateZone et tiroir à température contrôlée

Réfrigérateur en acier inoxydable

## Espace ClimateZone

Une zone pour conserver fruits et légumes disposés dans des compartiments séparés pour faciliter l'accès.

L'eau excédentaire qui peut s'accumuler dans le fond des tiroirs ou en dessous doit être essuyée pour l'assécher.

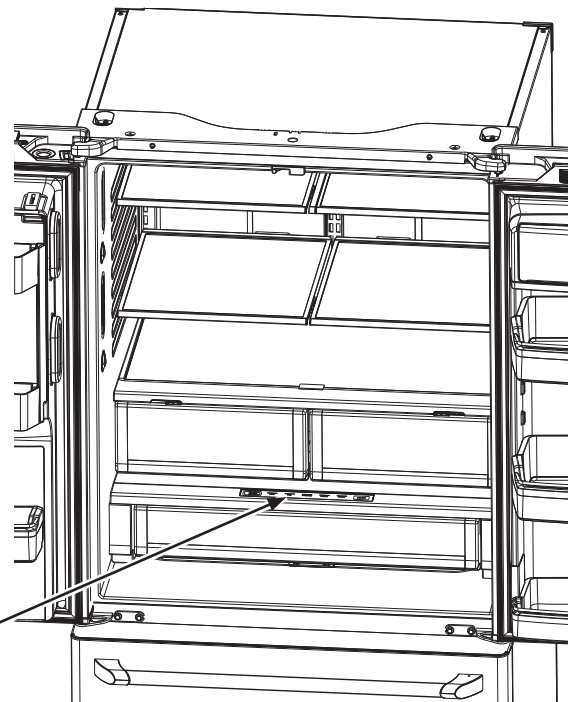


## Tiroir à température contrôlée

Le tiroir à température contrôlée pleine largeur est doté d'une commande de température réglable. Il peut servir pour divers articles de grande taille.

Pour changer le réglage, pressez le bouton de sélection.

**REMARQUE :** Les températures indiquent les valeurs pour les types d'aliments et les températures réelles peuvent varier selon le fonctionnement normal et d'autres facteurs tels que le nombre d'ouvertures de porte et le réglage de température du compartiment réfrigérateur.



32° 34° 38°

**ATTENTION** Risque de lacération.

Ne conservez pas les bouteilles de verre à ce réglage. Si elles gèlent, elles peuvent éclater et provoquer des blessures.

## Machine à glaçons automatique\*

**REMARQUE :** Un réfrigérateur nouvellement installé peut prendre 12 à 24 heures pour commencer à produire de la glace.

La machine à glaçons produira sept cubes par cycles, soit environ 100 à 130 cubes pendant une période de 24 heures, selon la température du compartiment congélateur, la température de la pièce, le nombre d'ouvertures de porte et d'autres conditions d'utilisation.

La machine à glaçons se remplira d'eau lorsqu'elle se refroidira à 15 °F (-10 °C). Un réfrigérateur nouvellement installé peut prendre 12 à 24 heures pour commencer à produire des glaçons.

Si le réfrigérateur est utilisé avant le raccordement de la conduite d'eau à l'appareil ou si l'alimentation d'eau à un réfrigérateur en service est coupée, assurez-vous que la machine à glaçons est éteinte. Une fois l'eau raccordée au réfrigérateur, on peut allumer la machine à glaçons. Consultez le tableau ci-dessous pour les détails.

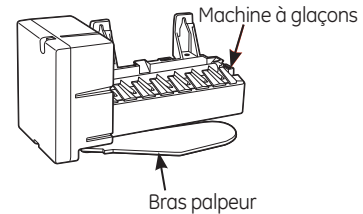
Un bourdonnement peut se faire entendre à chaque fois que la machine à glaçons se remplit d'eau.

Jetez les premiers lots de glace pour permettre à la conduite de se nettoyer.

Assurez-vous que rien ne gêne le mouvement du bras palpeur.

Lorsque le bac se remplit jusqu'au niveau du bras palpeur, la machine cesse de produire des glaçons. Il est normal que plusieurs glaçons se joignent.

Si la glace n'est pas utilisée souvent, les vieux cubes deviendront marbrés, se rétréciront et perdront leur fraîcheur.



**REMARQUE :** Dans les domiciles où la pression d'eau se situe sous la moyenne, plusieurs cycles de production de glace peuvent se faire entendre pour un seul lot de glaçons.

**ATTENTION** Pour réduire le risque de blessure, évitez tout contact avec les pièces mobiles du mécanisme d'éjection ou avec l'élément chauffant qui libère les cubes. Ne placez pas les doigts ou les mains sur le mécanisme de production de glace automatique lorsque le réfrigérateur est branché à la prise électrique.

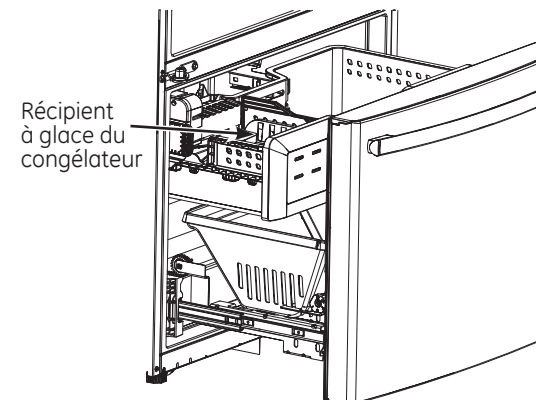
Pour éteindre la machine à glaçons, utilisez le bouton "ICE MAKER" sur les commandes.

## Accès à la glace

### Récipient à glace du congélateur\*

Le rangement de glace se trouve dans le tiroir du compartiment congélateur.

- Ouvrez le tiroir du congélateur.
- Le récipient à glace est situé du côté gauche du panier supérieur.
- Tirez le panier supérieur pour retirer le récipient à glace.



\*Certains modèles seulement

### Nettoyage de l'extérieur

**Les panneaux et les poignées en acier inoxydable** peuvent être nettoyés à l'aide d'un nettoyant pour acier inoxydable du commerce tel que Stainless Steel Magic™.

*Stainless Steel Magic™* est offert chez Ace, True Value, Servistar, HWI et d'autres commerces reconnus. On peut aussi se le procurer auprès du service Pièces et accessoires GE, 800.626.2002. Commandez la pièce numéro WX10X15.

**N'utilisez pas de la cire ou un agent de polissage pour électroménager sur de l'acier inoxydable.**

**Les pièces en plastique aux accents argentés** doivent être lavés à l'eau savonneuse ou d'autres détergents doux. Essuyez-les avec une éponge, un linge imbibé ou une serviette de papier.

N'utilisez pas de tampons à récurer, de nettoyants en poudre, de javellisants ni de nettoyants contenant du javellissant car ils peuvent rayer et fragiliser le fini.

### Nettoyage de l'intérieur

**Pour prévenir les odeurs**, laissez ouverte une boîte de bicarbonate de soude dans les compartiments réfrigérateur et congélateur.

**Débranchez le réfrigérateur avant le nettoyage.**

Si cela n'est pas pratique, tordez l'éponge ou le chiffon pour évacuer l'excès d'humidité lors du nettoyage autour des interrupteurs, des lampes et des commandes.

Utilisez une solution d'eau chaude et de bicarbonate de soude, environ une cuillerée à table (15 ml) de bicarbonate de soude dans un litre d'eau. Vous pourrez ainsi nettoyer tout en neutralisant les odeurs. Rincez et essuyez pour assécher.

**L'utilisation d'une solution de nettoyage différente de celle recommandée, en particulier si elle contient des distillats de pétrole, peut entraîner l'endommagement de l'intérieur du réfrigérateur par craquèlement ou autrement.**

**Évitez de nettoyer les tablettes de verre froides avec de l'eau très chaude, la différence de température peut causer leur bris. Manipulez les tablettes de verre avec précaution. Le verre trempé peut éclater suivant un choc.**

**Ne lavez aucune pièce en plastique du réfrigérateur au lave-vaisselle.**

### Derrière le réfrigérateur

Usez de prudence lorsque vous éloignez le réfrigérateur du mur. Tous les types de revêtement de sol peuvent s'en trouver endommagés, en particulier s'ils sont coussinés ou présentent une surface gaufrée.

Levez les pieds de nivellement situés dans le bas avant du réfrigérateur.

Tirez le réfrigérateur en ligne droite; poussez-le en ligne droite pour le remettre à sa place. Le

déplacement du réfrigérateur dans une direction latérale peut endommager le couvre-plancher ou le réfrigérateur.

Baissez les pieds de nivellement jusqu'à ce qu'ils touchent le plancher.

**Lors de la remise en place du réfrigérateur, assurez-vous de ne pas écraser le cordon d'alimentation électrique ni la conduite d'eau de la machine à glaçons.**

### Préparation pour les vacances

À l'occasion de vacances ou d'absences prolongées, retirez les aliments et débranchez le réfrigérateur. Lavez l'intérieur avec une solution composée de une cuillerée à table (15 ml) de bicarbonate de soude dans un litre d'eau. Laissez les portes ouvertes.

Si la température peut chuter sous le seuil de congélation, demandez à un technicien qualifié de purger le système d'alimentation d'eau afin de prévenir les dommages liés à l'inondation.

1) Éteignez le réfrigérateur (p. 27) ou débranchez le réfrigérateur.

2) Videz le récipient de glace.

3) Coupez l'alimentation d'eau.

**Si vous coupez l'alimentation d'eau, éteignez la machine à glaçons (p. 34).**

Au retour de vacances :

1) Remplacez le filtre à eau.

2) Faites circuler 2 gallons (8 litres) d'eau par le distributeur d'eau froide (environ 5 minutes) pour rincer le système.

### Préparation pour un déménagement

À l'aide de ruban adhésif, fixez sûrement en place tous les articles mobiles tels que les tablettes et les tiroirs afin de prévenir les dommages.

Pour prévenir les dommages, placez le réfrigérateur sur un de ses côtés lorsque vous

utilisez un chariot manuel pour le déplacement et non sur l'arrière ou l'avant.

**Assurez-vous de maintenir le réfrigérateur en position droite durant le transport.**

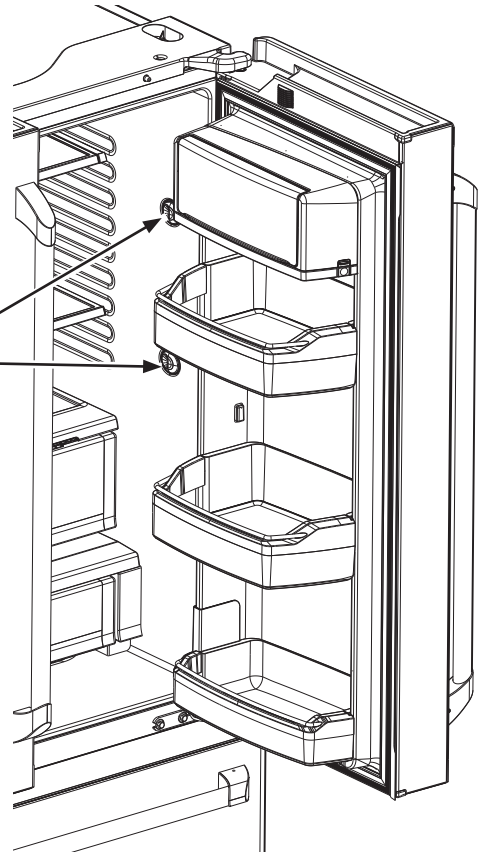
### Compartiment réfrigérateur — Lampe supérieure

Un éclairage à DEL se trouve dans le compartiment réfrigérateur et dans le bas des portes réfrigérateur pour éclairer le compartiment congélateur.

Il faut faire appel à un technicien agréé pour remplacer une lampe DEL.

Si cet assemblage doit être remplacé, appelez le service GE au 1.800.432.2737 aux États-Unis ou le 1.800. 561.3344 au Canada.

Lampes DEL



### Bruits de fonctionnement normaux

Les réfrigérateurs neufs s'entendent différemment des plus anciens. Les réfrigérateurs d'aujourd'hui comportent davantage de fonctions et utilisent des technologies plus évoluées.

**Entendez-vous ce que j'entends? Ces sons sont normaux.**

**HUMMM...  
WHOOSH...**

- Le nouveau compresseur haute efficacité peut fonctionner plus vite et plus longtemps que l'ancien et un bourdonnement aigu ou un son pulsatif peut en résulter.
- Un souffle sourd peut se laisser entendre à la fermeture des portes. Ce son est causé par l'équilibrage de la pression à l'intérieur du réfrigérateur.
- Après la distribution de glace, un moteur fermera la chute de glace pour empêcher l'air chaud de la pièce de pénétrer dans le récipient de glace afin de maintenir la glace dans l'état de congélation.

Le bourdonnement du moteur fermant la chute est normal, peu de temps après la distribution de glace.



- Vous pouvez entendre les ventilateurs tourner à haute vitesse. Cela survient lors du branchement initial du réfrigérateur, lorsque les portes sont ouvertes fréquemment ou lorsqu'une grande quantité d'aliments est ajoutée au compartiment réfrigérateur ou congélateur.
- La vitesse des ventilateurs varie afin de procurer un refroidissement optimal et d'économiser l'énergie.

### Cliquetis, éclatements, craquements et gazouillis.

- Des sons de craquement ou d'éclatement peuvent se produire lors du branchement initial du réfrigérateur. Cela résulte du refroidissement du réfrigérateur vers sa température de service.
- L'expansion et la contraction des serpentins durant et suivant le dégivrage peut aussi émettre le même type de bruit.
- Sur les modèles équipés de machine à glaçons, vous pouvez entendre la chute des glaçons dans le récipient après un cycle de production de glace.
- Sur les modèles équipés d'un distributeur, vous pouvez entendre le mouvement des conduites d'eau lors de la distribution initiale ou suite au relâchement du bouton de distribution.

### Bruits d'eau



- La circulation de fluide frigorigène dans les serpentins peut produire un son de gargouillis semblable à de l'eau qui bout.
- L'égouttement d'eau sur l'élément chauffant du dégivreur peut causer un son de grésillement, d'éclatement ou de bourdonnement durant le cycle de dégivrage.
- Un son d'égouttement peut aussi survenir durant le cycle de dégivrage à mesure que la glace fond depuis l'évaporateur et que l'eau s'écoule dans le plateau de dégivrage.
- La fermeture de la porte peut produire un bruit sourd en raison de l'équilibrage de la pression.



Pour des renseignements supplémentaires sur les bruits de fonctionnement normaux de la machine à glaçons et du distributeur, consultez les sections **Machine à glaçons automatique** et **Distributeur d'eau interne**.

**Questions?  
Utilisez ce  
résolveur de  
problèmes**

Problème	Cause probable
La poignée est lâche/présente un jeu	<ul style="list-style-type: none"> <li>La poignée nécessite un ajustement. Consultez les sections <i>Fixation de la poignée du compartiment réfrigérateur</i> et <i>Fixation de la poignée du compartiment congélateur</i> pour des instructions détaillées.</li> </ul>
Le réfrigérateur émet un bip	<ul style="list-style-type: none"> <li>Il s'agit d'une alarme de porte. Éteignez l'alarme ou désactivez-la en fermant la porte. Si la porte s'ouvre et que l'alarme retentit, vous ne pouvez que la faire cesser momentanément.</li> </ul>
Pas de refroidissement	<ul style="list-style-type: none"> <li>Le système de refroidissement est désactivé. Activez le refroidissement à nouveau. Consultez le mode d'emploi.</li> </ul>
Le goût/l'odeur de l'eau est douteuse	<ul style="list-style-type: none"> <li>Le distributeur d'eau n'a pas été utilisé depuis longtemps. Distribuez de l'eau jusqu'à ce que le système ne contienne que de l'eau fraîche.</li> </ul>
L'eau dans le verre est tiède	<ul style="list-style-type: none"> <li>Normal lors de l'installation initiale du réfrigérateur. Attendez 24 heures que le réfrigérateur se refroidisse complètement.</li> <li>Le distributeur d'eau n'a pas été utilisé depuis longtemps. Distribuez de l'eau jusqu'à ce que le système ne contienne que de l'eau fraîche.</li> <li>Le système d'eau a été purgé. Plusieurs heures sont nécessaires pour refroidir le nouvel approvisionnement.</li> </ul>
Le distributeur d'eau ne fonctionne pas	<ul style="list-style-type: none"> <li>L'alimentation d'eau est coupée ou n'est pas raccordée. Consultez la section <i>Installation</i> de la conduite d'eau.</li> <li>Le filtre à eau est obstrué ou le filtre/le bouchon de dérivation* n'a pas été posé. Remplacez la cartouche filtrante ou retirez le filtre et posez le bouchon de dérivation.</li> <li>De l'air peut être emprisonné dans le système d'eau. Pressez le bras du distributeur pendant au moins 5 minutes.</li> <li>L'eau dans le réservoir est gelée en raison d'un réglage de température trop froide. Réglez la commande à une température plus élevée et attendez 24 heures. Si l'eau ne coule pas après 24 heures, faites un appel de réparation.</li> </ul>
L'eau gicle du distributeur	<ul style="list-style-type: none"> <li>Un nouvelle cartouche filtrante a été posée. Faites circuler de l'eau froide par le distributeur pendant 5 minutes (env. 8 litres).</li> </ul>
Aucune production d'eau ou de glace	<ul style="list-style-type: none"> <li>La conduite d'alimentation ou le robinet d'arrêt est obstrué. Appelez un plombier.</li> <li>Le filtre à eau est obstrué. Remplacez la cartouche filtrante ou retirez le filtre et posez le bouchon de dérivation*.</li> <li>La cartouche filtrante n'est pas posée correctement. Retirez la cartouche et reposez-la en vous assurant qu'elle se verrouille en place.</li> <li>La machine à glaçons est éteinte. Assurez-vous qu'elle est allumée. Consultez la section <i>Machine à glaçons automatique</i>.</li> </ul>
Le distributeur présente une fuite d'eau	<ul style="list-style-type: none"> <li>De l'air peut se trouver dans le système d'eau occasionnant un égouttement d'eau après une distribution. Distribuez de l'eau pendant au moins 5 minutes pour expulser l'air du système.</li> </ul>
Seul le congélateur se refroidit, pas le réfrigérateur	<ul style="list-style-type: none"> <li>Normal lors du branchement initial du réfrigérateur ou suite à une panne de courant prolongée. Attendez 24 heures pour que la température des deux compartiments atteigne les valeurs sélectionnées.</li> </ul>

\*Certains modèles ne sont pas équipés d'un bouchon de dérivation de filtre. Pour en obtenir un gratuitement, composez le 800-GECARES. Au Canada, composez le 800.561.3344.

# Fiche technique de performance

## Modèle : GE RPWFE

Utilisez une cartouche de rechange RPWFE.

La concentration des substances mentionnées dans l'eau pénétrant dans le système a été réduite à une valeur inférieure ou égale à la limite permmissible relative à l'eau quittant le système, selon les spécifications des normes NSF/ANSI 42 et 53. Le système a été mis à l'essai et homologué par NSF International conformément aux normes NSF/ANSI 42 et 53 relatives à la réduction des substances énumérées ci-dessous.

### Capacité 170 gal. (643,5 litres). Réduction des contaminants déterminée par essai NSF.

Substance testée pour réduction	Influent moyen	Concentr. d'essai selon NSF	Réduction moy. (%)	Concentr. moyenne	Concentr max. permmissible	Spéc. de réduction NSF	Rapport d'essai NSF
Goût et odeur chlore	2,0 mg/L	2,0 mg/L ± 10%	97,4%	0,05 mg/L	N/A	≥50%	J-00102044
Particules de Classe I, ≥0.5 to < 1.0 µm	7,633,333 pts/mL	Au moins 10 000 particules/mL	99,0%	71,850 pts/ml	N/A	≥85%	J-00106249
Amiante	109 MFL	10 <sup>7</sup> to 10 <sup>8</sup> fibres/L ; fibres sup. à 10µm de long	99,99%	<1 MFL	N/A	≥99%	J-00102069
Atrazine	0,009 mg/L	0,009 mg/L ± 10%	94,4%	0,0005 mg/L	0,003 mg/L	N/A	J-00102058
Benzène	0,016 mg/L	0,015 mg/L ± 10%	96,4%	0,001 mg/L	0,005 mg/L	N/A	J-00102065
Carbofuran	0,08 mg/L	0,08 mg/L ± 10%	98,8%	0,001 mg/L	0,04 mg/L	N/A	J-00102059
Oocystes*	104,750 oocystes/L	Minimum 50,000 cysts/L	99,99%	3 cyst/L	N/A	≥99,95%	J-00102057
Plomb pH @6.5	0,140 mg/L	0,15 mg/L ± 10%	99,3%	0,001 mg/L	0,010 mg/L	N/A	J-00102052
Lead pH @8.5	0,158 mg/L	0,15 mg/L ± 10%	98,3%	0,002 mg/L	0,010 mg/L	N/A	J-00102053
Mercure @ pH 6.5	0,006 mg/L	0,006 mg/L ± 10%	91%	0,0003 mg/L	0,002 mg/L	N/A	J-00102054
Mercure @ pH 8.5	0,006 mg/L	0,006 mg/L ± 10%	88,3%	0,0007 mg/L	0,002 mg/L	N/A	J-00104087
Lindane	0,002 mg/L	0,002 mg/L ± 10%	99%	0,00002 mg/L	0,0002 mg/L	N/A	J-00102063
P-Dichlorobenzène	0,222 mg/L	0,225 mg/L ± 10%	99,8%	0,0005 mg/L	0,075 mg/L	N/A	J-00102067
Toxaphène	0,015 mg/L	0,015 mg/L ± 10%	93,5%	0,001 mg/L	0,003 mg/L	N/A	J-00102061
Réduction de 2, 4-D	0,218 mg/L	0,210 mg/L ± 10%	99,9%	0,0001 mg/L	0,07 mg/L	N/A	J-00102064
COV	0,278 mg/L	0,300 mg/L ± 10%	97,7%	0,0015 mg/L	N/A	≥95%	J-00102070

\* D'après l'utilisation d'oocystes de *Cryptosporidium parvum*.

Les résultats de réduction pharmaceutique suivants n'ont pas été certifiés par NSF International. Ils ont été testés et vérifiés par un laboratoire indépendant. Le filtre, entraînant ainsi des fuites ou l'inondation.

Réduction de substance	Influent moyen	Concentr. d'essai selon NSF	Réduction moy. (%)	Concentr. moyenne	Concentr. max. permmissible	Rapport d'essai NSF
Aténolol	1088 ng/L	N/A	99,5%	5,0 ng/L	N/A	J-00103221
Fluoxétine	845 ng/L	N/A	99,4%	5,0 ng/L	N/A	J-00103221
Ibuprofène	898 ng/L	N/A	98,8%	9,9 ng/L	N/A	J-00103726
Progestérone	945 ng/L	N/A	99,4%	5,5 ng/L	N/A	J-00103727
Triméthoprim	403 ng/L	N/A	99,5%	2,0 ng/L	N/A	J-00103221

### Conditions d'application/Paramètres d'alimentation d'eau

Débit de service	0,5 gal./min. (1,89 l/min.)	Pression d'eau	25-120 psi (172- 827 kPa)
Alimentation d'eau	Eau potable	Température de l'eau	33° F - 100° F (0,6° C - 38° C)

Le rendement du produit sera conforme à ce qui est promis à condition que l'installation, l'entretien et le remplacement du filtre s'effectuent selon les recommandations du fabricant.

**Remarque :** Bien que les tests aient été réalisés dans des conditions de laboratoire. Cartouche de rechange : RPWFE. Pour une estimation du coût des pièces de rechange, veuillez composer le 1-800-626-2002 ou visitez notre site Web au [www.geapplianceparts.com](http://www.geapplianceparts.com).

#### AVERTISSEMENT

Pour réduire le risque associé à l'ingestion de contaminants :

- N'utilisez pas l'appareil avec de l'eau d'une qualité incertaine ou non potable sur le plan microbiologique sans une désinfection en amont et en aval du système. Les systèmes homologués relativement à la réduction d'oocystes peuvent être utilisés avec de l'eau désinfectée pouvant contenir des oocystes filtrables. Numéro d'établissement EPA 070595-MEX-001.

#### AVIS

Pour réduire le risque de fuite ou d'inondation et pour garantir un rendement optimal du filtre :

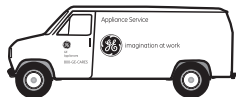
- Lisez et observez les instructions d'utilisation avant l'installation et l'utilisation de ce système.
- L'installation et l'utilisation **DOIVENT** satisfaire tous les codes de plomberie locaux et nationaux.

- **Ne procédez pas à l'installation** si la pression d'eau excède 120 psi (827 kPa). Si votre pression d'eau excède 80 psi, vous devez poser une valve de limitation de pression. Faites appel à un plombier si vous avez des doutes sur la façon de mesurer votre pression d'eau.
- **Ne procédez pas à l'installation** si une condition de coup de bélier est susceptible de survenir. Si cette condition existe, vous devez poser un antibélier. Faites appel à un plombier si vous avez des doutes sur la manière d'identifier cette condition.
- **Ne procédez pas à l'installation** sur des conduites d'eau chaude. La température maximale de service de l'eau pour ce système de filtre est de 100 °F (38 °C).
- **Protégez le filtre contre le gel.** Drainez le filtre lorsque la température tombe sous 33 °F (0,6 °C).
- Remplacez la cartouche filtrante jetable tous les six mois, ou plus tôt si vous constatez une réduction appréciable du débit d'eau.
- L'omission de remplacer la cartouche filtrante jetable aux intervalles recommandés peut mener à une réduction du rendement du filtre et au fendillement du boîtier du filtre, entraînant ainsi des fuites ou l'inondation.



Tested and certified by NSF International against NSF/ANSI Standard 42 and Standard 53 in model GE RPWF and GE RPWFE for the reduction of the claims specified on the performance data sheet.

# Certificat de garantie de la cartouche RPWFE du filtre à eau



Communiquez avec nous sur [www.geapplianceparts.com](http://www.geapplianceparts.com), ou appelez le 800.GE.CARES.

Agrafez votre facture ici. Pour obtenir le service sous garantie, une preuve de la date d'achat initial est nécessaire.

<b>Pendant la période de garantie de :</b>	<b>Nous remplacerons gratuitement :</b>
<b>Trente jours</b> A compter de la date d'achat initial	<b>Toute pièce</b> de la cartouche filtrante qui s'avère défectueuse en raison d'un défaut de matériau ou de fabrication pendant cette période de <b>garantie de trente jours.*</b>

### Ce qui n'est pas couvert :

- Les déplacements à votre domicile pour vous expliquer l'utilisation de ce produit.
- Une installation incorrecte.
- Une panne du produit par abus d'utilisation, par mauvaise utilisation, par modification ou s'il a été utilisé dans un but autre que celui pour lequel il a été fabriqué, ou s'il a été utilisé à des fins commerciales.
- Le remplacement des fusibles ou le réenclenchement du disjoncteur du domicile.
- Le remplacement de la cartouche filtrante à cause d'une pression d'eau en dehors de la gamme de fonctionnement recommandée ou à cause d'une concentration excessive de sédiments dans l'eau d'alimentation.
- Tout dommage causé par accident, incendie, inondation ou catastrophe naturelle.
- Tout dommage fortuit ou indirect causé par des défauts éventuels de cet appareil.

*Cette garantie est étendue à l'acheteur d'origine et aux propriétaires suivants pour tout produit acheté pour une utilisation domestique aux Etats-Unis. En Alaska, cette garantie exclut le coût d'expédition ou de dépannage à votre domicile.*

*Certains états n'acceptent pas d'exclusion ou de limites aux dommages indirects consécutifs. Certains droits particuliers vous sont dévolus en vertu de la présente garantie et peuvent s'accompagner d'autres droits qui varient d'un état à un autre. Pour connaître vos droits, veuillez consulter votre bureau local ou le bureau d'état des affaires aux consommateurs ou le Procureur Général de votre état.*

**Pour les achats effectués en Iowa :** Ce formulaire doit être signé et daté par l'acheteur et le vendeur avant la réalisation de cette vente.

Ce formulaire doit être conservé au dossier par le vendeur pendant une période minimale de deux ans.

#### Acheteur :

Nom \_\_\_\_\_

Adresse \_\_\_\_\_

Ville \_\_\_\_\_ État \_\_\_\_\_ Code postal \_\_\_\_\_

Signature \_\_\_\_\_ Date \_\_\_\_\_

#### Vendeur :

Nom \_\_\_\_\_

Adresse \_\_\_\_\_

Ville \_\_\_\_\_ État \_\_\_\_\_ Code postal \_\_\_\_\_

Signature \_\_\_\_\_ Date \_\_\_\_\_

\* Si votre pièce GE s'avère défectueuse en raison d'un défaut de fabrication dans les trente jours à compter de la date d'achat initiale, nous vous fournirons gratuitement une nouvelle pièce, ou, à notre gré, une pièce reconstruite. Renvoyez la pièce défectueuse au fournisseur de pièces auprès duquel cette pièce a été achetée avec une copie de la preuve d'achat de la pièce. Si la pièce est défectueuse et n'indique aucun signe d'une utilisation abusive, celle-ci sera échangée. La garantie ne couvre pas la défaillance de pièces qui sont endommagées en votre possession, sont utilisées de façon abusive ou ont été mal installées. Elle ne couvre pas les frais de retour de la pièce au fournisseur auprès duquel elle a été achetée. Elle ne couvre pas non plus le coût de main d'œuvre pour retirer ou installer cette pièce pour diagnostiquer la panne. Elle ne couvre pas les pièces utilisées dans les produits à usage commercial, sauf dans le cas des équipements de climatisation. En aucun cas, GE ne peut être tenu responsable des dommages indirects. Garant : General Electric Company

EXCLUSION DES GARANTIES TACITES : Votre recours exclusif est l'échange du produit suivant les modalités de la Garantie Limitée. Toutes garanties tacites, y compris les garanties de valeurs marchandes ou d'adéquation à des fins particulières, sont limitées à une durée de six mois ou à la durée la plus courte autorisée par la loi.



**GE**  
Appliances  
Appliance Park  
Louisville, KY 40225  
[gewaterfilters.com](http://gewaterfilters.com)



**Avec l'achat de votre nouvel électroménager Monogram, nous vous assurons de notre soutien en cas de besoin de renseignements ou d'assistance de la part de GE. Vous n'avez qu'à nous appeler, sans frais!**

## Centre de renseignements GE

Aux États-Unis :  
800.626.2000

Quelle que soit la question concernant un électroménager Monogram, le Centre de renseignements GE est prêt à vous aider. Votre appel —et votre question— sera répondu promptement et avec courtoisie. Appelez le Centre de renseignements du lundi au vendredi, de 8 h 00 à 22 h 00 HNE, le samedi de 8 h 00 à 19 h 00 HNE.

OU

Visitez notre site Web sur : [monogram.com](http://monogram.com)

Au Canada, appelez le 1.800.561.3344.

## Service de réparation à domicile

Aux États-Unis :  
800.444.1845

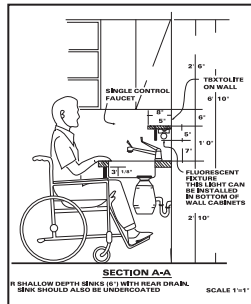
Au Canada :  
1.800.561.3344

Un technicien du service au consommateur GE offrira un service de réparation professionnel, programmé au moment qui vous convient. Pour planifier une réparation, appelez-nous du lundi au vendredi, de 7 h 00 à 22 h 00 HNE, ou le samedi et le dimanche de 8 h 00 à 18 h 00 HNE. Plusieurs installations du service au consommateur GE offrent un service le jour même ou le lendemain, ou selon votre disponibilité. Nos techniciens formés en usine connaissent votre électroménager sur le bout des doigts, de sorte que les réparations s'effectuent la plupart du temps en une seule visite.

Au Canada, du lundi au vendredi de 7 h 00 à 20 h 00 et le samedi de 8 h 00 à 17 h 00 HAE.

## Pour les consommateurs nécessitant des attentions particulières

Aux États-Unis :  
800.626.2000



GE offre des commandes en braille sur une variété d'électroménagers GE ainsi qu'une brochure facilitant la planification d'une cuisine sans obstacles destinée aux personnes à mobilité réduite.

Les consommateurs affectés d'une altération auditive ou d'un trouble d'élocution et qui ont accès à un appareil pour malentendants ou à un télécopieur conventionnel peuvent composer le 800.TDD.GEAC (800.833.4322) pour demander des renseignements ou un service.

## Contrats de service

Aux États-Unis :  
800.626.2224

Au Canada :  
1.800.561.3344

Vous pouvez avoir accès au service aux consommateurs GE même après l'expiration de votre garantie. Procurez-vous un contrat GE pendant que votre garantie est toujours en vigueur et vous bénéficierez d'un rabais substantiel. Un contrat sur plusieurs années vous assurera dans l'avenir d'un service au prix d'aujourd'hui.

## Pièces et accessoires

Aux États-Unis :  
800.626.2002

Au Canada :  
1.800.561.3344

Les personnes ayant les compétences pour réparer leurs propres électroménagers peuvent se faire livrer des pièces et des accessoires directement à leur domicile. Le système de gestion de pièces GE permet l'accès à plus de 47 000 pièces... et toutes les pièces de rechange d'origine GE sont totalement couvertes par une garantie. Les cartes VISA, MasterCard et Discover sont acceptées. Visitez [www.geappliances.com](http://www.geappliances.com).

User maintenance instructions contained in this manual cover procedures intended to be performed by any user. Other servicing generally should be referred to qualified service personnel. Caution must be exercised, since improper servicing may cause unsafe operation.

## **GARANTIE DE VOTRE RÉFRIGÉRATEUR MONOGRAM**

**Agrafez votre facture du client ou votre chèque payé ici. Une preuve d'achat initial est requise pour obtenir un service sous garantie**

### **Ce qui est couvert**

À partir de la date d'achat initial

#### **GARANTIE LIMITÉE DE UN (1) AN**

Pendant une période de un (1) an à partir de la date d'achat initial, nous couvrirons les frais de pièces et de main-d'œuvre du service à domicile relatifs à la réparation ou au remplacement de toute pièce défectueuse du réfrigérateur résultant d'un vice de fabrication.

#### **GARANTIE LIMITÉE DE CINQ (5) ANS**

Pendant une période de cinq (5) ans à partir de la date d'achat initial, nous couvrirons les frais de pièces et de main-d'œuvre du service à domicile relatifs à la réparation ou au remplacement de toute pièce du système de réfrigération hermétique (compresseur, condensateur, évaporateur et toute tubulure de raccordement) résultant d'un vice de fabrication.

#### **GARANTIE LIMITÉE DE 30 JOURS SUR LA CARTOUCHE FILTRANTE À EAU (filtre à eau, si inclus)**

À partir de la date d'achat initial, nous couvrirons les frais de remplacement de toute pièce défectueuse de la cartouche filtrante à eau résultant d'un vice de fabrication. Pendant la durée de cette garantie de trente jours, nous assumerons aussi les frais de remplacement de la cartouche filtrante.

Cette garantie est offerte à l'acheteur initial et à tout propriétaire successif d'un produit acheté dans le but d'en faire un usage domestique standard dans les 48 États américains continentaux, à Hawaii, dans le district fédéral de Columbia ou au Canada. Si le produit est situé dans un lieu où le service par un réparateur GE autorisé n'est pas offert, vous pourriez devoir acquitter les frais de transport ou transporter le produit par vos propres moyens jusqu'à l'installation d'un réparateur GE autorisé. En Alaska, la garantie est similaire mais LIMITÉE puisque vous devez acquitter les frais de transport jusqu'à l'atelier de réparation ou les frais de déplacement du réparateur à votre domicile.

Tous les services sous garantie seront offerts par nos Centres de service à l'usine ou par nos réparateurs Customer Care® autorisés durant les heures de travail normales.

En cas de besoin de réparation de votre électroménager, pendant la période de garantie ou au-delà, composez le 800.444.1845 aux États-Unis. Au Canada, composez le 800.561.3344. Veuillez tenir vos numéros de modèle et de série à portée de la main lors d'un appel de service.

### **Ce qui n'est pas couvert**

- Une visite de service à votre domicile pour vous apprendre à utiliser le produit.
  - Un remplacement de fusible ou un réarmement de disjoncteur à domicile.
  - Un dommage causé par un accident, un incendie, une inondation ou une catastrophe naturelle.
  - Une défectuosité du produit s'il a été utilisé commercialement ou à une autre fin que celle prévue.
  - Un dommage survenu après la livraison.
  - Une installation, une livraison ou un entretien inadéquats.
- En cas de problème d'installation, communiquez avec votre revendeur ou votre installateur. Vous êtes responsable de fournir des équipements appropriés en

- ce qui a trait à l'électricité, la plomberie et aux autres types de branchement.
- S'il y a lieu, le remplacement des ampoules de lampe, ou de la cartouche filtrante à eau si elle diffère de celle mentionnée plus haut.
- Le remplacement de la cartouche filtrante à eau, si incluse, en raison d'une pression d'eau hors des limites de service spécifiées ou d'une sédimentation excessive dans l'alimentation d'eau.
- La perte de nourriture causée par son altération (États-Unis seulement).
- Les dommages accessoires ou indirects causés par de possibles défectuosités de cet électroménager.
- Product not accessible to provide required service.

**EXCLUSION DES GARANTIES IMPLICITES** — Votre seul et unique recours consiste en la réparation du produit en vertu de cette garantie limitée. Toute garantie implicite, y compris les garanties implicites relatives à la qualité marchande ou à l'adéquation à un usage particulier, se limitera à une période de un (1) an ou à la période la plus courte prescrite par la loi.

Certains États ou provinces ne permettant pas d'exclure ou de restreindre les dommages accessoires ou indirects, il se peut que les limitations ci-dessus ne s'appliquent pas à votre cas. Certains droits particuliers vous sont dévolus en vertu de la présente garantie et ils peuvent s'accompagner d'autres droits qui varient selon votre lieu de résidence. Pour connaître la nature exacte de vos droits, consultez l'organisme de protection du consommateur de votre région, ou encore le bureau du procureur général de l'État.

Garant aux États-Unis : General Electric Company,  
Louisville, KY 40225

Garant au Canada : Mabe Canada Inc.



**GE**  
**Appliances**  
Appliance Park  
Louisville, KY 40225  
GEAppliances.com

### Introducción

Su nuevo Refrigerador Monogram realiza una elocuente afirmación de estilo, conveniencia y flexibilidad de planificación en la cocina. Si lo elige en base a su pureza de diseño, arreglos para un almacenamiento práctico o atención asidua al detalle (o por todas estas razones), observará que la combinación superior de forma y función de su horno microondas Monogram lo deleitará en los años venideros.

La información de las siguientes páginas le ayudará a realizar una correcta utilización y mantenimiento de su refrigerador.

Ante cualquier otra consulta, visite nuestro sitio web en: **monogram.com**

### Contenidos

#### Servicios al Cliente

Números Telefónicos Importantes .....	61
Números de Modelo y Serie.....	44
Ficha Técnica de Funcionamiento.....	59
Solucionador de Problemas.....	57-58
Registro del Producto.....	44
Instrucciones de Seguridad.....	45-46
Garantía .....	63
Garantía del Filtro de Agua .....	60

#### Cuidado y Limpieza

Limpieza – Interna y Externa.....	55
Reemplazo de la Bombilla de Luz .....	56
Mudanza .....	55
Vacaciones .....	55

#### Instrucciones de Funcionamiento

Máquina de Hielos Automática .....	54
Funciones Adicionales.....	47
Dispensador de Agua Interno .....	48
Estantes y Recipientes.....	50-52
Controles de Temperatura.....	47
Cajón con Control de Temperatura .....	53
Filtro de Agua.....	49

### Antes de usar su refrigerador

Lea este manual cuidadosamente. La finalidad del mismo es ayudarle a realizar un uso y mantenimiento correctos de su nuevo refrigerador.

Lea este manual cuidadosamente. La finalidad del mismo es ayudarle a realizar un uso y mantenimiento correctos de su nuevo refrigerador.

Si no entiende algo o necesita más ayuda, en la sección trasera de este manual figura un listado de números gratuitos de servicio al consumidor.

**OR**

Visite nuestro sitio Web en: **monogram.com**

## Escriba los números de modelo y serie

Los encontrará en una etiqueta dentro del compartimiento de alimentos frescos, debajo en la parte superior derecha.

Escriba estos números en la Tarjeta de Registro de Posesión del Producto del Cliente, incluida con el material de embalaje.

**Antes de enviar esta tarjeta, también escriba estos números aquí:**

Número de Modelo

Número de Serie

Use estos números en cualquier correspondencia o llamadas al servicio técnico relacionadas con su refrigerador

## Si recibió un refrigerador dañado

De forma inmediata, comuníquese con el comerciante (o fabricante) que le vendió el refrigerador.

## Ahorre tiempo y dinero

Antes de solicitar el servicio técnico, consulte la sección del Solucionador de Problemas en el reverso de este manual.

En el mismo figuran causas de problemas menores de funcionamiento que usted puede corregir.

## Si necesita solicitar el servicio técnico

Para acceder al servicio técnico, consulte la página de Servicios al Cliente, en el reverso de este manual.

Estamos orgullosos de nuestro servicio técnico y deseamos que esté complacido. Si por alguna razón no se siente a gusto con el servicio técnico que recibe, aquí figuran los pasos que deberá seguir para solicitar ayuda adicional.

### Para clientes en EE.UU.:

PRIMERO, comuníquese con las personas que le brindaron el servicio técnico sobre su electrodoméstico. Explique por qué no se siente a gusto. En la mayoría de los casos, esto resolverá el problema.

LUEGO, si aún no se siente a gusto, escriba todos los detalles, incluyendo su número telefónico, a:

Manager, Customer Relations  
GE Appliances  
Appliance Park  
Louisville, KY 40225

### Para clientes en Canadá:

PRIMERO, comuníquese con las personas que le brindaron el servicio técnico sobre su electrodoméstico. Explique por qué no se siente a gusto. En la mayoría de los casos, esto resolverá el problema.

LUEGO, si aún no se siente a gusto, escriba todos los detalles, incluyendo su número telefónico, a:

Manager, Consumer Relations  
Mabe Canada Inc.  
1 Factory Lane, Suite 310  
Moncton, N.B. E1C 9M3

# INSTRUCCIONES IMPORTANTES DE SEGURIDAD

## LEA Y GUARDE ESTAS INSTRUCCIONES

**!** Éste es el símbolo de alerta de seguridad. El mismo alerta sobre potenciales riesgos de muerte o lesiones tanto para usted como para otras personas. Todos los mensajes de seguridad estarán a continuación del símbolo de alerta de seguridad y con la palabra "PELIGRO", "ADVERTENCIA" o "PRECAUCIÓN". Estas palabras se definen como:

- PELIGRO** Signale une situation qui présente un danger imminent et qui, si elle n'est pas évitée, entraînera des blessures graves, voire la mort.
- ADVERTENCIA** Signale une situation qui présente un danger imminent et qui, si elle n'est pas évitée, peut entraîner des blessures graves, voire la mort. .
- PRECAUCIÓN** Signale une situation qui présente un danger imminent et qui, si elle n'est pas évitée, peut entraîner des blessures mineures ou graves.

**ADVERTENCIA** Al usar este electrodoméstico, siempre siga las precauciones básicas de seguridad, incluyendo lo siguiente:

- Use este electrodoméstico sólo para su propósito original, como se describe en el Manual del Propietario.
- Este refrigerador se debe instalar de forma apropiada de acuerdo con las Instrucciones de Instalación antes de ser usado.
- No permita que los niños se trepen, paren o cuelguen de los estantes del refrigerador. Podrían dañar el refrigerador y sufrir lesiones graves.
- No guarde ni use gasolina u otros vapores inflamables y líquidos cerca de éste ni de otros electrodomésticos.
- Desenchufe el refrigerador antes de realizar su limpieza y de hacer reparaciones.  
**NOTA:** Recomendamos enfáticamente que cualquier reparación sea realizada por un individuo calificado.  
**NOTA:** La corriente al refrigerador no puede ser desconectada por ninguna configuración del panel de control.
- Debido a los posibles riesgos sobre la seguridad bajo ciertas condiciones, recomendamos enfáticamente no usar prolongadores. Sin embargo, si se debe usar un prolongador, es absolutamente necesario que sea un prolongador para electrodoméstico de la lista UL (en Estados Unidos) o uno certificado por CSA (en Canadá), de 3 cables con conexión a tierra, que cuente con un enchufe con conexión a tierra y un tomacorriente con una graduación eléctrica del cable de 15 amperes (mínimo) y 120 voltios.
- Reemplace todas las piezas y paneles antes de utilizar.

### PRECAUCIÓN

- No toque las superficies frías del compartimiento del freezer cuando las manos estén húmedas o mojadas. La piel se puede adherir a estas superficies extremadamente frías.
- En refrigeradores con máquina automática de hielo, evite el contacto con las partes en movimiento del mecanismo expulsor o con el elemento de calefacción ubicado en la parte inferior de la máquina de hielos. No coloque los dedos ni las manos en el mecanismo de la máquina de hielos automática mientras el refrigerador esté enchufado.
- Mantenga los dedos alejados de las áreas de "riesgo de lastimaduras": los espacios entre las puertas y entre las puertas y el gabinete son necesariamente pequeños. Tenga el cuidado de cerrar las puertas cuando los niños se encuentren en el área.
- No vuelva a congelar comidas que hayan estado totalmente congeladas en forma previa.
- No limpie estantes de vidrio ni tapas con agua caliente cuando estén fríos. Los estantes de vidrio y las tapas se pueden romper si son expuestos a cambios de temperatura repentinos o impactos, tales como sacudones o caídas. El vidrio templado está diseñado para destruirse en pequeñas piezas en caso de rotura.

### PELIGRO

## RIESGO DE QUE UN NIÑO QUEDE ATRAPADO



Que un niño quede atrapado o que sufra una asfixia no son problemas del pasado. Los refrigeradores antiguos o abandonados aún son peligrosos... incluso aunque se conserven por "sólo unos pocos días". Si se deshará de su antiguo refrigerador, siga las siguientes instrucciones a fin de evitar accidentes.

### Antes de descartar su antiguo refrigerador o freezer:

- Retire las puertas.
- Deje las repisas en su lugar de modo que los niños no puedan trepar dentro con facilidad.

## REFRIGERANTE

Todos los productos de refrigeración cuentan con refrigerantes, que de acuerdo con la ley federal deberán ser eliminados antes de descartar el producto.

Si se deshará de un producto de refrigeración antiguo, consulte a la compañía a cargo sobre cómo deshacerse del mismo.

# INSTRUCCIONES IMPORTANTES DE SEGURIDAD



ADVERTENCIA



## Riesgo de Explosión

Mantenga cualquier material y vapores inflamables, tales como gasolina, alejados del refrigerador. Si no se cumple con esto se podrá producir una explosión, incendio o la muerte.



ADVERTENCIA



## Riesgo de Caídas

Los modelos con estilo incorporado (modelo PYE, CYE, GYE, PWE, CWE, y ZWE) son inestables, especialmente con las puertas abiertas. Estos modelos deben ser asegurados con el soporte antivolcaduras, a fin de evitar caídas hacia adelante, que podrían resultar en la muerte o lesiones graves. Lea y siga las instrucciones de instalación en su totalidad, a fin de instalar el soporte de piso antivolcaduras embalado con su refrigerador.



ADVERTENCIA



## Riesgo de Descarga Eléctrica

Enchufe en un tomacorriente con conexión a tierra de 3 cables.

No elimine el cable de conexión a tierra.

No use un adaptador.

Si no se siguen estas instrucciones se podrá producir la muerte, incendios o descargas eléctricas.

## CÓMO CONECTAR LA ELECTRICIDAD

**Nunca, bajo ninguna circunstancia, corte o elimine el tercer cable (tierra) del cable de corriente. Por seguridad personal, este electrodoméstico debe estar adecuadamente conectado a tierra.**

El cable de corriente de este electrodoméstico cuenta con un enchufe de 3 cables (conexión a tierra) que se conecta a un tomacorriente de pared estándar de 3 cables (conexión a tierra) para minimizar la posibilidad de riesgos de descargas eléctricas por parte del mismo.

Contrate a un electricista calificado para que controle el tomacorriente y el circuito eléctrico, a fin de asegurar que el enchufe esté correctamente conectado a tierra.

En caso de contar con un tomacorriente de pared de 2 cables, es su responsabilidad y obligación reemplazarlo por un tomacorriente de pared de 3 cables correctamente conectado a tierra.

El refrigerador debería estar siempre conectado

a un enchufe específico con un índice de voltaje equivalente al que figura en su etiqueta de características técnicas.

Se requiere un suministro eléctrico con fusible y conexión a tierra de 115 voltios de CA, 60 Hz, y 15 o 20 amperes. Esto garantiza el mejor funcionamiento y además previene la sobrecarga de los circuitos del hogar, lo cual podría ocasionar riesgos de incendio debido al recalentamiento de cables.

Nunca desenchufe el refrigerador tirando del cable de corriente. Siempre tome su enchufe firmemente y empuje el mismo hacia afuera para retirarlo.

Repáre o reemplace de inmediato todos los cables de corriente pelados o con cualquier tipo de daño. No use un cable con cortaduras o abrasión sobre su extensión o extremos.

Al alejar el refrigerador de la pared, se deberá tener cuidado de que no ruede sobre ni dañe el cable de corriente.

## USO DE PROLONGADORES

**Debido a los posibles riesgos sobre la seguridad bajo ciertas condiciones, recomendamos enfáticamente no usar prolongadores.**

Sin embargo, si aún es necesario usar un prolongador, es absolutamente necesario que sea un prolongador para electrodomésticos de la lista UL, de 3 cables con conexión a tierra, que cuente con un enchufe con conexión a tierra y un tomacorriente, y que la graduación eléctrica del cable sea de 15 amperes (mínimo) y 120 volts.

## Controles de temperatura

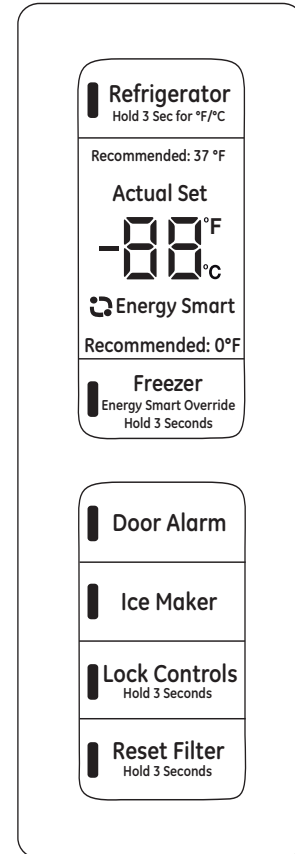
### Controles de Cambio de Temperatura

La Pantalla de Temperatura está ubicada en la parte interior de la puerta izquierda del refrigerador. Para cambiar la temperatura, presione y libere las teclas **REFRIGERATOR** (Refrigerador) o **FREEZER** (Freezer). La luz de **ACTUAL TEMP** (Temperatura Real) se encenderá y la pantalla mostrará la temperatura real. Para cambiar la temperatura, presione la tecla **REFRIGERATOR** (Refrigerador) o la tecla **FREEZER** (Freezer) hasta que se muestre la temperatura deseada.

Para apagar el sistema de refrigeración, mantenga presionadas las teclas **REFRIGERATOR** (Refrigerador) y **FREEZER** (Freezer) de forma simultánea por 3 segundos. Cuando el sistema de refrigeración está en **OFF** (Apagado), en la pantalla se debería leer **OFF** (Apagado). Para encender el sistema de refrigeración, presione la tecla **REFRIGERATOR** (Refrigerador) o la tecla **FREEZER** (Freezer). La pantalla mostrará la configuración de la temperatura programada de 37° F para el refrigerador y 0° F para el freezer. Apagar el sistema de refrigeración detiene el enfriamiento del refrigerador, pero no corta la corriente eléctrica.

**NOTA: El refrigerador se envía con una envoltura que protege los controles de temperatura. Si esta envoltura no fue retirada durante la instalación, retire la misma ahora.**

**NOTA: Para un rendimiento óptimo de la temperatura, es recomendable evitar colocar comida u otros productos directamente en las ventilaciones de aire o en la torre de aire de comidas frescas, bloqueando de este modo el flujo de aire.**



## Alarma de la puerta

Esta alarma sonará si una de las puertas permanece abierta por más de 2 minutos. El pitido se detiene al cerrar la puerta.

## Máquina de hielos

Presione esta tecla para encender o apagar la máquina de hielos.

## Controles de Bloqueo

Mantenga presionada esta tecla por 3 segundos para bloquear o desbloquear los controles del refrigerador y del freezer.

## Reinicio del filtro

Mantenga presionada esta tecla por 3 segundos antes de reemplazar el filtro, a fin de reiniciar el temporizador.

### Modo Sabático

Mantenga presionado el bloqueo y la luz (alarma de la puerta y hielo botones fabricante para los modelos no dispensar) de forma simultánea por 3 segundos para entrar/ salir del modo Sabático.

Active el Modo Sabático para apagar las luces internas, el control de temperatura y las funciones avanzadas. El compresor funcionará con una descongelación por tiempo cuando esté en modo Sabático.

### Dispensador de agua interno

El dispensador de agua está ubicado en la pared izquierda dentro del compartimiento del refrigerador.

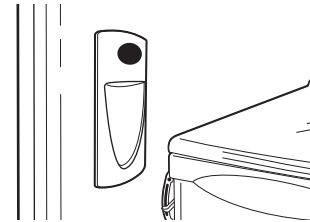
#### Para dispensar agua:

- 1 Sostenga el vaso contra el hueco.
- 2 Presione el botón dispensador de agua.
- 3 Sostenga el vaso debajo del dispensador entre 2 y 3 segundos luego de liberar el botón del dispensador. Es posible que continúe dispensando agua luego de que el botón haya sido liberado.

*Si no se dispensa agua cuando el refrigerador se instala por primera vez, es posible que la cañería de agua posea aire. Presione el botón del dispensador y deje correr 1 ½ galones para eliminar el aire atrapado de la cañería de agua y para llenar el sistema de agua.*

*Durante este proceso, es posible que el dispensador produzca un ruido fuerte a medida que se elimina el aire de la cañería de agua. A fin de limpiar las impurezas en la cañería de agua, descarte los seis primeros vasos de agua.*

**NOTA:** *A fin de evitar depósitos de agua, el dispensador debe ser limpiado en forma periódica con un paño limpio o una esponja.*





## Filtro de Agua

### Cartucho del filtro de agua

El cartucho del filtro de agua está ubicado en el interior de los alimentos frescos en la pared del lado izquierdo, cerca de la parte superior.

Modelos selectos utilizan identificación por frecuencia radial (RFID, según sus siglas en inglés) para detectar goteras y monitorear el estado del filtro. La tecnología RFID está certificada por la FCC

FCCID: ZKJ-EBX1532P001 ICID:  
10229A-EBX1532P001

*"Este dispositivo cumple con la Parte 15 de la Normativa de la FCC. Su funcionamiento está sujeto a las dos condiciones siguientes: (1) Este dispositivo no podrá ocasionar interferencias nocivas, y (2) este dispositivo debe aceptar cualquier interferencia recibida, incluyendo interferencias que puedan ocasionar un funcionamiento no deseado".*

*"Este dispositivo cumple el estándar(es) de exención de licencia de la RSS de la Industria de Canadá. Su funcionamiento está sujeto a las dos condiciones siguientes: (1) Este dispositivo no podrá ocasionar interferencias, y (2) este dispositivo debe aceptar cualquier interferencia recibida, incluyendo interferencias que puedan ocasionar un funcionamiento no deseado".*

### Cuándo es necesario reemplazar el cartucho del filtro

El cartucho del filtro se debe reemplazar cada seis meses o antes si 170 galones de agua fueron dispensados o el flujo de agua al dispensador o la máquina de hielos se ve reducido.

**Modelos con Pantalla Táctil:** Un mensaje del estado del filtro aparecerá en la pantalla cuando sea necesario reemplazar el filtro de agua. El estado del filtro se actualizará de forma automática cuando el filtro sea reemplazado

**Modelos sin Pantalla Táctil:** Una luz del indicador del filtro se iluminará en la pantalla cuando sea necesario reemplazar el filtro de agua.

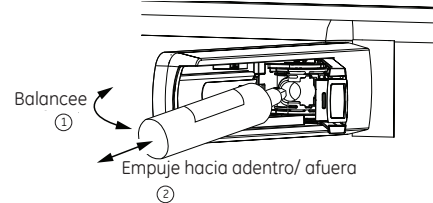
### Retiro del cartucho del filtro

Para reemplazar el filtro, primero retire el cartucho gastado abriendo la puerta del filtro y empujando la parte inferior del cartucho a fin de permitir que se balancee hacia afuera. Cuando el cartucho ya no se pueda balancear, de forma suave empuje para desconectar el mismo del porta cartuchos. NO TUERZA

EL CARTUCHO. Es posible que gotee una pequeña cantidad de agua.

### Instalación del Cartucho del Filtro

1. Alinee la parte superior del filtro con el porta cartucho y empuje hasta que el cartucho quede totalmente insertado. La flecha en la etiqueta debe apuntar hacia arriba si el cartucho está orientado de forma correcta.
2. Mientras continúa asegurando que el cartucho esté completamente insertado en el sostén, gire suavemente el filtro hacia adentro hasta que se afirme en su posición. Si el filtro no gira fácilmente, controle para asegurar que el filtro esté alineado de forma adecuada y completamente insertado dentro del porta cartuchos.



3. Deje correr 2 galones de agua a través del dispensador de agua fría (aproximadamente 5 minutos) a fin de eliminar el aire del sistema. **Un cartucho del filtro de agua instalado en forma reciente puede hacer que chorree agua del dispensador.** Use una jarra grande o una botella deportiva para atrapar el agua rociada.
4. Mensaje de Estado de Reinicio del Filtro (modelos sin pantalla táctil).

Nota: Es normal que el agua se vea descolorida durante el flujo inicial del sistema. El color del agua regresará a su estado normal luego de unos pocos minutos de comenzar a dispensar.

### Tapón de Bypass del Filtro

A fin de reducir el riesgo de daños sobre la propiedad debido a pérdidas de agua, usted DEBERÁ usar el tapón del bypass del filtro cuando no se disponga de un reemplazo del cartucho del filtro. Algunos modelos no están equipados con el tapón del bypass del filtro. Para obtener un tapón del bypass del filtro, llame al 800-GEARES. En Canadá, llame al 800.561-3344. El dispensador y la máquina de hielos no funcionarán si el filtro o el tapón del bypass del filtro no están instalados. El tapón del bypass se instala del mismo modo que un cartucho del filtro.

### ADVERTENCIA

**A fin de reducir el riesgo asociado con asfixia, no permita que los niños menores de 3 años tengan acceso a las partes pequeñas durante la instalación de este producto.** El cartucho del filtro descartable deberá ser reemplazado cada 6 meses luego de agotar su capacidad, o antes si se produce una reducción notoria en el caudal.

Para obtener el máximo beneficio de su sistema de filtrado, GE recomienda el uso de los filtros de la marca GE únicamente. El uso de filtros de la marca GE en refrigeradores GE y Hotpoint® brinda un óptimo funcionamiento y confiabilidad. Los filtros GE cumplen con rigurosos estándares NSF de la industria sobre seguridad y calidad, que son importantes para los productos que están filtrando su agua. GE no posee filtros de la marca GE que no estén calificados para su uso en refrigeradores GE y Hotpoint, y no existe seguridad de que los filtros que no son de la marca GE cumplan con los estándares de GE en relación a calidad, funcionamiento y confiabilidad.

**Ante cualquier consulta, o para ordenar cartuchos de filtros adicionales, visite nuestro sitio web en [www.geapplianceparts.com](http://www.geapplianceparts.com), o llame a GE Parts and Accessories (Piezas y Accesorios de GE), 8003626.2002.**

Los clientes de Canadá deberán buscar el Centro de Servicio Técnico Camco en las páginas amarillas

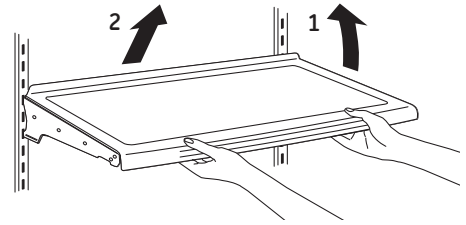
### Reorganización de los Estantes

Los estantes del compartimiento del refrigerador son ajustables.

#### Compartimiento del Refrigerador

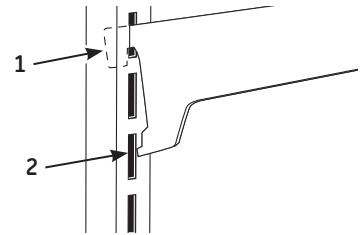
##### Para retirar:

1. Retire todos los artículos del estante.
2. Incline la repisa hacia arriba en la parte frontal.
3. Levante la repisa desde la parte trasera y retire la misma.



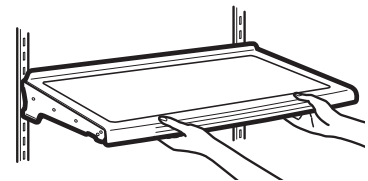
##### Para reemplazar:

1. Al inclinar el estante hacia arriba, inserte el gancho superior en la parte trasera del estante en una ranura del soporte.
2. Incline la parte frontal de la repisa hasta que la parte inferior de la misma quede bloqueada.



### Estantes Antiderrames

Los estantes antiderrames poseen extremos especiales que ayudan a evitar derrames sobre estantes inferiores.



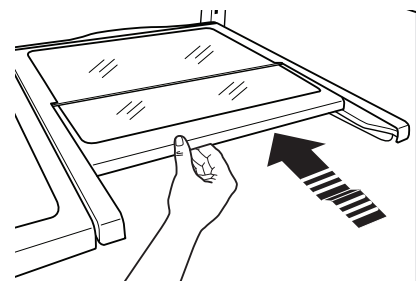
### Repisa QuickSpace™\*

Esta repisa se divide a la mitad y se desliza por debajo de sí misma para almacenar productos altos en el estante de abajo.

Esta repisa puede ser retirada y reemplazada o reubicada (al igual que las repisas antiderrame).

**NOTA:** La mitad trasera del Estante Quick Space no es ajustable.adjustable.

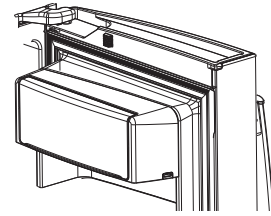
\*Modelos Selectos Únicamente



## Recipiente de lácteos o ajustable

**Para retirar:** Levante el recipiente de forma recta y luego empuje hacia afuera.

**Para reemplazar:** Adhiera el recipiente a los soportes de puerta moldeados y empuje hacia abajo. El recipiente se bloqueará en el lugar.



## Recipientes Ajustables en Puertas

Los recipientes ajustables pueden ser llevados fácilmente del refrigerador al área de trabajo.

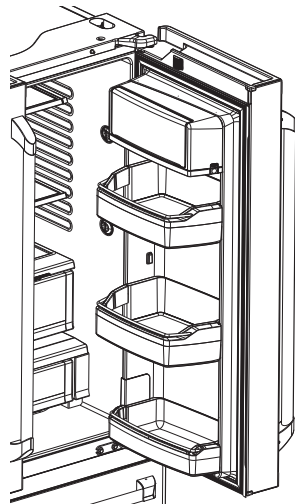
**Para retirar:** Levante el recipiente de forma recta y luego empuje hacia afuera.

**Para reemplazar o reubicar:** Deslice el recipiente justo sobre los soportes de puerta moldeados y empuje hacia abajo. El recipiente se bloqueará en el lugar.

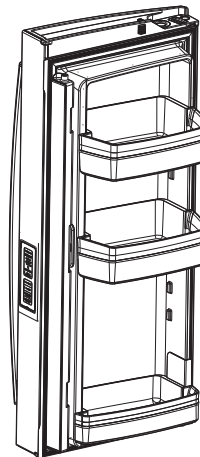
## Bandeja desplegable\* (bandeja abierta)

1. Abra las puertas de alimentos frescos.
2. Presione ambos botones en los lados inferiores del recipiente y este último se desplegará.
3. Dé vuelta para reinstalar.

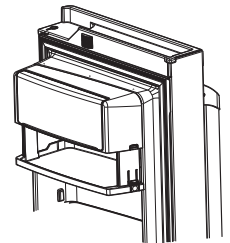
\*Modelos Selectos Únicamente



Modelos con Dispensador (Puerta Derecha)

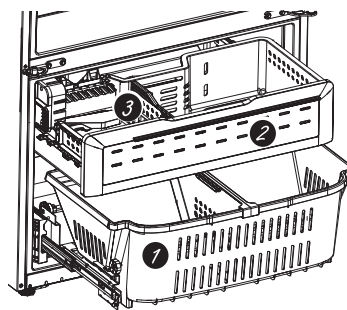


Modelos sin Dispensador (Puerta Izquierda)



## Canasta y cajón del freezer

1. Canasta .
2. Cajón
3. Hielera\*



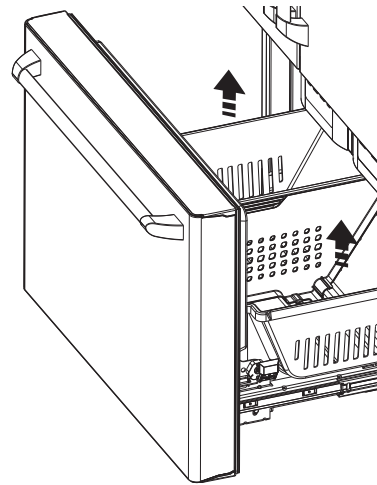
\*Modelos Selectos Únicamente

### Retiro de la canasta (cajón inferior)

1. Abra las puertas de alimentos frescos.
2. Abra la puerta del freezer hasta la posición de detención.
3. Retire la canasta del freezer levantando la parte trasera de la canasta y rotando la misma hacia arriba.
4. Levante hacia afuera y retire la misma.

**Para reemplazar:**

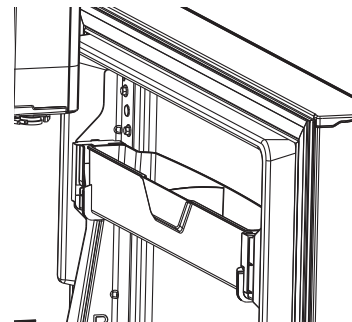
Invierta el paso 1 al 4 para reemplazarla.



### Recipientes no ajustables en la puerta del freezer

**Para retirar:** empuje hacia adentro la lengüeta plástica, ya sea hacia la izquierda o la derecha

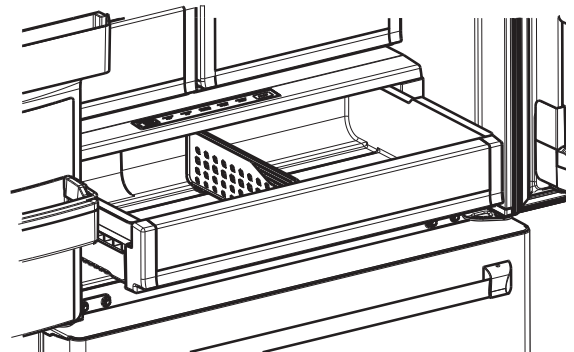
**Para reemplazar:** deslice el recipiente en la ubicación hasta que se bloquee.



### Cajón ajustable de embutidos/ productos cultivados

**Para retirar:** empuje el cajón fuera de su posición final. Levante la parte frontal del cajón hacia arriba y hacia afuera.

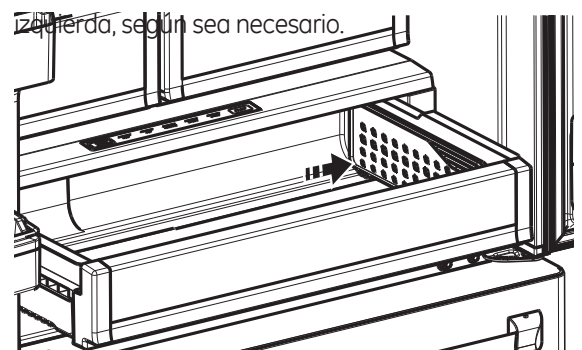
**Para reemplazar:** empuje los costados izquierdo y derecho hasta que estén completamente extendidos. Primero vuelva a colocar el cajón y gire el mismo del frente hacia abajo para que se apoye en los deslizadores. Empuje el cajón hacia adentro hasta la posición cerrada.



### Divisor del cajón\*

**Para retirar:** empuje el cajón fuera de su posición final. Deslice el divisor de cacerolas hacia la derecha para liberar el mismo de la cacerola.

**Para reemplazar:** Coloque el divisor de cacerolas en la ranura de la derecha y deslice el mismo hacia la



\*Modelos Selectos Únicamente

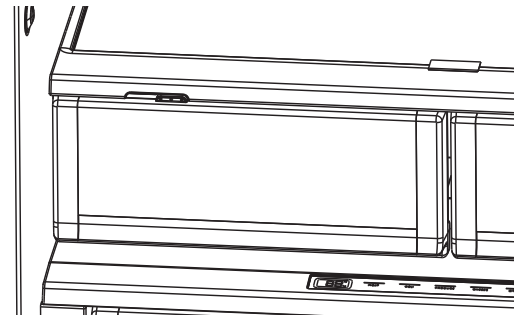
# Cajón ClimateZone y con Control de Temperatura

Refrigerador de Acero Inoxidable

## ClimateZone

Mantenga las frutas y verduras organizadas en compartimientos separados para un fácil acceso.

El exceso de agua que se puede acumular en la parte inferior de los cajones o debajo de los mismos se deberá limpiar.

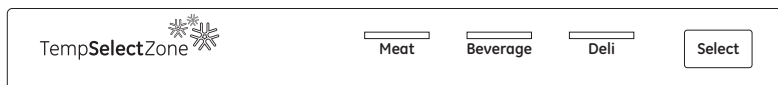
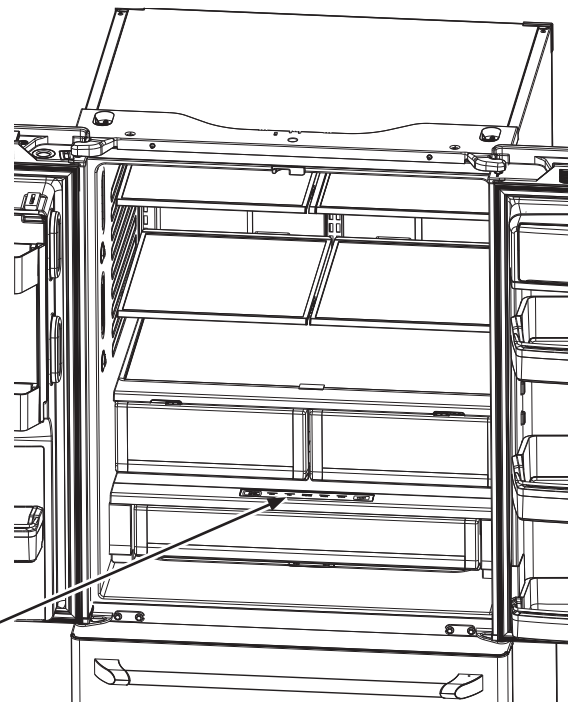


## Cajón con Control de Temperatura

El Cajón con Control de Temperatura es un cajón de anchura completa con control de temperatura ajustable. Este cajón puede ser usado para productos grandes de tipos variados.

Para cambiar la configuración, presione el botón de selección.

**Nota:** Las temperaturas indican las temperaturas adecuadas para la comida y la temperatura real puede variar de acuerdo con el funcionamiento normal y otros factores tales como aperturas de puertas y el punto de configuración de comidas frescas.



32° 34° 38°

**⚠ PRECAUCIÓN Riesgo de Laceración.**

No guarde botellas de vidrio en esta ubicación. Si están congeladas, se podrán romper y producir lesiones personales.

## Máquina de Hielos Automática\*

**NOTA:** Puede llevar entre 12 y 24 horas que un refrigerador recién instalado comience a fabricar hielo.

La máquina de hielos producirá siete cubos por ciclo, y aproximadamente entre 100 y 130 cubos en un período de 24 horas, dependiendo de la temperatura del compartimiento del freezer, la temperatura ambiente, la cantidad de veces que se abra la puerta y otras condiciones de uso.

La máquina de hielos se llenará de agua cuando se enfríe y llegue a los 15°F (-10°C). Puede llevar entre 12 y 24 horas que un refrigerador recién instalado comience a fabricar hielo.

Si el refrigerador es utilizado antes de realizar las conexiones de la tubería de agua a la unidad o si el suministro de agua a un refrigerador en funcionamiento es apagado, asegúrese de que la máquina de hielos esté apagada. Una vez que el agua haya sido conectada al refrigerador, la máquina de hielos podrá ser encendida. Para más detalles, lea la tabla que aparece más abajo.

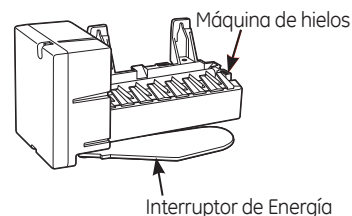
Es posible que escuche un zumbido cada vez que la máquina de hielos se llene de agua.

Descarte las primeras cantidades de hielo para permitir que el suministro de agua se despeje.

Asegúrese de que nada interfiera con la extensión del interruptor de energía.

Cuando el cubo se llene hasta el nivel del interruptor de energía, la máquina de hielos dejará de producir hielo. Es normal que varios cubos queden juntos.

Cuando el cubo se llene hasta el nivel del interruptor de energía, la máquina de hielos dejará de producir hielo. Es normal que varios cubos queden juntos.



**NOTA:** En hogares con un nivel de presión inferior a la normal, es posible que escuche que la válvula de agua de la máquina de hielos realice varios ciclos para producir una cantidad de hielo.

**PRECAUCIÓN** Para minimizar el riesgo de lesiones personales, evite el contacto con las partes móviles del mecanismo eyector o con el elemento de calefacción que libera los cubos. No coloque los dedos ni las manos en el mecanismo de la máquina de hielos automática mientras el refrigerador esté enchufado.

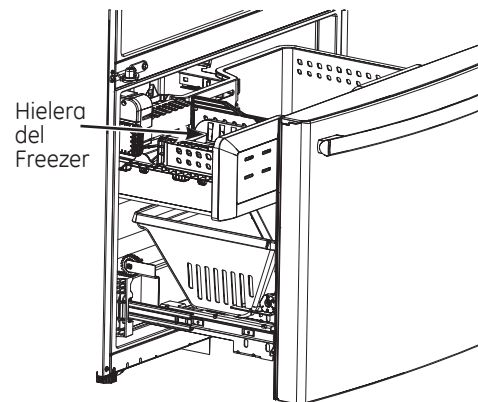
Para apagar la máquina de hielos, presione el botón "ICE MAKER" (Máquina de Hielos) en los controles.

## Acceso al hielo

### Hielera del Freezer\*

El almacenamiento de hielo se encuentra en el cajón del compartimiento del freezer.

- Abra el cajón del freezer.
- La hielera se encuentra ubicada en el lado izquierdo de la canasta superior.
- Empuje la canasta superior hacia adelante para retirar la hielera.



\*Modelos Selectos Únicamente

### Limpieza de la parte exterior

Los paneles de acero inoxidable y las manijas pueden ser limpiados con un limpiador de acero inoxidable de acceso comercial tal como *Stainless Steel Magic*™.

*Stainless Steel Magic* está disponible en Ace, True Value, Servistar, HWI y otras tiendas comerciales líderes. También está disponible a través de GE Parts and Accessories (Piezas y Accesorios de GE), 800.626.2002. Ordene el número de pieza WX10X15.

**No use cera para electrodomésticos ni pule sobre el acero inoxidable.**

Las piezas de plástico plateadas deben ser limpiadas con jabón u otros detergentes suaves. Limpie con una esponja, una tela húmeda o toallas de papel.

No use estropajos, limpiadores en polvo, blanqueadores ni limpiadores que contengan blanqueador, ya que estos productos pueden rayar y debilitar la terminación de la pintura.

### Limpieza de la parte interna

**Para evitar olores**, deje abierta una caja de bicarbonato de sodio en los compartimientos de alimentos frescos y del freezer.

**Desenchufe el refrigerador antes de limpiar.**

Si esto no resulta práctico, estruje el exceso de humedad para eliminarlo de la esponja o tela al limpiar alrededor de los interruptores, luces o controles.

Use agua caliente y solución de bicarbonato de sodio — aproximadamente una cucharada sopera (15 ml.) de bicarbonato de sodio para un cuarto de galón (1 litro) de agua. Esto limpia y neutraliza los olores. Enjuague y seque.

**El uso de cualquier otra solución de limpieza que no sea la recomendada, especialmente aquellas que contengan destilados de petróleo, puede quebrar o dañar el interior del refrigerador.**

**Evite limpiar estantes de vidrio fríos con agua caliente, ya que la diferencia extrema de temperatura puede ocasionar roturas. Sostenga las repisas de vidrio con cuidado. Los golpes sobre el vidrio templado podrán ocasionar roturas.**

**No lave ninguna parte plástica del refrigerador en el lavavajillas.**

### Detrás del refrigerador

Tenga cuidado al alejar el refrigerador de la pared. Cualquier tipo de cobertura de piso puede ser dañada, particularmente las coberturas acolchonadas y aquellas con superficies con relieves.

Levante las patas niveladoras ubicadas en la parte frontal interior del refrigerador.

Empuje el refrigerador hacia afuera de forma recta y regrese el mismo a su posición

empujándolo hacia adentro. Mover el refrigerador hacia una ubicación lateral podrá ocasionar daños sobre la cobertura del piso o el refrigerador.

Baje las patas niveladoras hasta que toquen el piso.

**Al volver a empujar el refrigerador, asegúrese de no aplastar el cable de corriente ni la cañería de la máquina de hielos.**

### Preparación para las vacaciones

Si estará de vacaciones o ausente por tiempo prolongado, retire la comida y desenchufe el refrigerador. Limpie el interior con una solución de bicarbonato de sodio de una cucharada sopera (15 ml) de bicarbonato de sodio para un cuarto de galón (1 litro) de agua. Deje las puertas abiertas.

Si la temperatura puede llegar a estar por debajo de la congelación, solicite a un técnico calificado que drene el sistema de suministro de agua a fin de prevenir daños graves sobre la propiedad debido a una inundación.

1) Apague el refrigerador (pág. 47) o desenchufe el refrigerador.

2) Vacíe la hielera.

3) Cierre el suministro de agua.

**Si cierra el suministro de agua, apague la máquina de hielos (pg. 54).**

Al regresar de sus vacaciones:

1) Reemplace el filtro de agua.

2) Deje correr 2 galones de agua a través del dispensador de agua fría (aproximadamente 5 minutos) a fin de eliminar el aire del sistema.

### Preparación para una mudanza

Asegure todos los ítems tales como estantes y cajones, pegando los mismos de forma segura en sus respectivos lugares a fin de evitar daños.

Al usar un carro manual para mover el refrigerador, no deje que la parte frontal ni la parte trasera descansen contra el carro manual. Esto podría dañar el refrigerador. Lleve el mismo sólo sobre los costados del refrigerador.

**Al usar un carro manual para mover el refrigerador, no deje que la parte frontal ni la parte trasera descansen contra el carro manual. Esto podría dañar el refrigerador. Lleve el mismo sólo sobre los costados del refrigerador.**

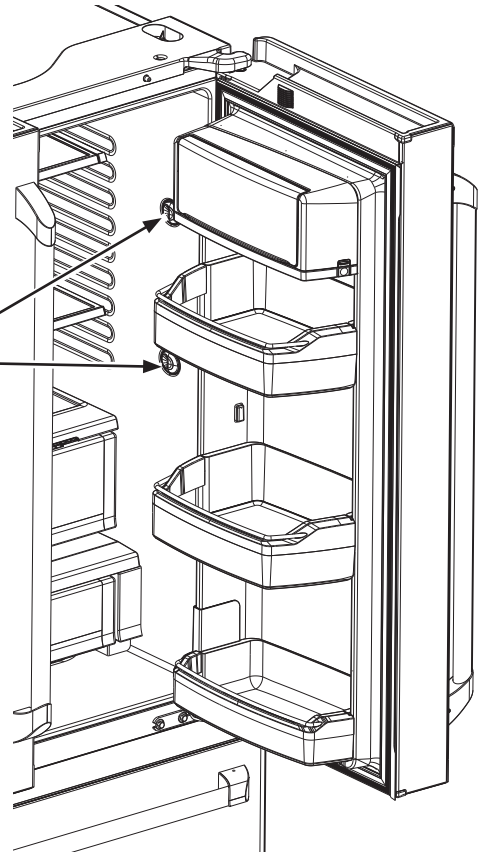
### Compartimiento de comidas frescas- luz superior

Hay una luz LED en el compartimiento de comidas frescas y en la parte inferior de las puertas de comidas frescas para iluminar el compartimiento del freezer.

Será necesario que un técnico autorizado reemplace la luz LED.

En caso de ser necesario un reemplazo de este ensamble, llame al Servicio Técnico de GE al 1.800.432.2737 en los Estados Unidos o al 1.800.561.3344 en Canadá.

Luces LED





Sonidos de  
Funcionamiento  
Normal

El sonido de los refrigeradores nuevos es diferente al de aquellos más antiguos. Los refrigeradores modernos cuentan con más funciones y utilizan una tecnología más nueva.

**¿Escuchas lo que yo escucho? Estos sonidos son normales.**

**HUMMM...  
WHOOSH...**

- Es posible que el nuevo compresor de alta efectividad funcione más rápido y por más tiempo que aquel de su refrigerador antiguo, y es posible que escuche un zumbido o sonido de pulsación mientras está funcionando.
- Es posible que escuche sonidos de gorgoteos al cerrar las puertas. Esto se debe al equilibrio de la presión dentro del refrigerador
- Luego de dispensar hielo, un motor cerrará el vertedor de hielo para evitar que entre aire caliente en el cubo de hielo, manteniendo el hielo en una temperatura de congelamiento.

El zumbido del motor al cerrar el cubo de hielo es normal, poco después de dispensar hielo.



- Es posible que escuche los ventiladores girar en altas velocidades. Esto sucede cuando el refrigerador se enchufa por primera vez, cuando las puertas se abren con frecuencia o cuando una gran cantidad de comida es agregada a los compartimientos del refrigerador o del freezer. Los ventiladores están ayudando a mantener las temperaturas correctas.
- Los ventiladores cambian de velocidad a fin de brindar un enfriamiento óptimo y ahorros de energía.

**SONIDOS DE CLIC,  
ESTALLIDOS, ROTURAS y  
CHASQUIDOS**

- Es posible que escuche sonidos de roturas o estallidos cuando se enchufe el refrigerador por primera vez. Esto sucede mientras el refrigerador se enfría hasta la temperatura correcta.
- La expansión y contracción de las bobinas de enfriamiento durante y después de la descongelación pueden producir sonidos de roturas o estallidos.
- En los modelos con máquina de hielos, luego de un ciclo de producción de hielo, es posible que escuche los cubos de hielo caer al recipiente del hielo.
- En los modelos con dispensador, cuando se dispense el agua, es posible que escuche el movimiento de las tuberías de agua al iniciar el proceso y luego de que el botón del dispensador sea liberado.

**SONIDOS DEL AGUA**



- Es posible que el flujo de refrigerante a través de las bobinas de enfriamiento produzca un gorgoteo similar a agua hirviendo.
- El agua que cae sobre el calentador de descongelamiento puede producir un chisporroteo, estallido o zumbido durante el ciclo de descongelamiento.
- Es posible que se escuche un sonido de goteo durante el ciclo de descongelación, a medida que el hielo se derrite desde el evaporador y fluye hasta la olla de drenaje.
- Es posible que se escuche un sonido de goteo durante el ciclo de descongelación, a medida que el hielo se derrite desde el evaporador y fluye hasta la olla de drenaje.



Para acceder a información adicional sobre sonidos de funcionamiento normal de la máquina de hielos y del dispensador, consulte las secciones de la Máquina de Hielos Automática y del Dispensador Interno de Agua.

¿Preguntas?  
¡Use este  
solucionador  
de  
problemas!

Problema	Causa Posible
La manija está floja/ la manija tiene un espacio de separación.	<ul style="list-style-type: none"> <li>• Es necesario ajustar la manija Para acceder a instrucciones detalladas, consulte las secciones de <i>Ajuste de la Manija de Comidas Frescas</i> y <i>Ajuste de la Manija del Freezer</i>.</li> </ul>
Pitido del refrigerador	<ul style="list-style-type: none"> <li>• Se trata de la alarma de la puerta. Apague o desactive la misma con la puerta cerrada. Si la puerta está abierta y la alarma está sonando, sólo podrá detener la alarma.</li> </ul>
No enfría	<ul style="list-style-type: none"> <li>• El sistema de enfriamiento está apagado. Vuelva a encender la refrigeración. Consulte las <i>Instrucciones de Funcionamiento</i>.</li> </ul>
El agua tiene mal gusto/ olor	<ul style="list-style-type: none"> <li>• El dispensador de agua no fue usado durante un tiempo prolongado. Dispense agua hasta que toda el agua en el sistema sea repuesta.</li> </ul>
El agua en el vaso está caliente	<ul style="list-style-type: none"> <li>• Es normal cuando el refrigerador es usado por primera vez luego de su instalación Espere 24 horas hasta que el refrigerador se enfríe completamente.</li> </ul>
	<ul style="list-style-type: none"> <li>• El dispensador de agua no fue usado durante un tiempo prolongado. Dispense agua hasta que toda el agua en el sistema sea repuesta.</li> </ul>
	<ul style="list-style-type: none"> <li>• El sistema de agua fue drenado. Espere varias horas hasta que el suministro repuesto se haya enfriado.</li> </ul>
El dispensador de agua no funciona	<ul style="list-style-type: none"> <li>• El suministro de agua está apagado o no está conectado. Consulte sobre la <i>Instalación del Suministro de Agua</i>.</li> </ul>
	<ul style="list-style-type: none"> <li>• El filtro de agua está atascado o el enchufe del filtro/ bypass* no fue instalado. Reemplace el cartucho del filtro o retire el filtro e instale el enchufe del bypass.</li> </ul>
	<ul style="list-style-type: none"> <li>• Es posible que haya aire atrapado en el sistema de agua. Presione el brazo dispensador durante por lo menos 5 minutos.</li> </ul>
	<ul style="list-style-type: none"> <li>• El agua en la reserva está congelada debido a que los controles están configurados en una temperatura demasiado fría. Configure el control del refrigerador en una configuración más caliente y espere 24 horas. Si el agua no es dispensada luego de 24 horas, comuníquese al servicio técnico.</li> </ul>
Chorrea agua del dispensador.	<ul style="list-style-type: none"> <li>• El cartucho del filtro fue instalado en forma reciente. Deje correr agua del dispensador durante 5 minutos (aproximadamente 2 galones).</li> </ul>
No hay producción de agua ni de cubos de hielo.	<ul style="list-style-type: none"> <li>• La línea de suministro o la válvula de cierre están atascadas. Llame a un plomero.</li> </ul>
	<ul style="list-style-type: none"> <li>• El filtro de agua está atascado. Reemplace el cartucho del filtro o retire el filtro e instale el enchufe del bypass*.</li> </ul>
	<ul style="list-style-type: none"> <li>• El cartucho del filtro no está instalado de forma apropiada. Retire y vuelva a instalar el cartucho del filtro, asegurándose de que se puede bloquear en el lugar correcto.</li> </ul>
	<ul style="list-style-type: none"> <li>• La máquina de hielos está apagada. Controle que la máquina de hielos esté encendida. Consulte la sección de <i>Máquina de Hielos Automática</i>.</li> </ul>
Gotea agua desde el dispensador	<ul style="list-style-type: none"> <li>• Puede haber aire presente en el sistema de entrada de agua, haciendo que gotee agua luego de ser dispensada. Dispense agua durante por lo menos 5 minutos para eliminar el aire del sistema.</li> </ul>
Al enfriarse el freezer, la comida fresca no se enfría	<ul style="list-style-type: none"> <li>• Es normal, cuando el refrigerador se enchufa por primera vez o luego de un corte de corriente prolongado. Espere 24 horas hasta que se alcancen las temperaturas seleccionadas en ambos compartimientos.</li> </ul>

\*Algunos modelos no están equipados con el tapón del bypass del filtro. Para obtener un tapón del bypass del filtro, llame al 800-GEARES. En Canadá, llame al 800.561-3344.

# Ficha Técnica de Funcionamiento del Modelo: GE RPWFE

Use el Cartucho de Reemplazo de RPWFE.

La concentración de las sustancias indicadas en el agua que ingresa al sistema fue reducida a la concentración menor que o igual al límite permisible para el agua que deja el sistema, como se especifica en el Estándar 42 y en el Estándar 53 de NSF/ANSI. Sistema evaluado y certificado por NSF International contra el Estándar 42 y el Estándar 53 de NSF/ANSI para la reducción de sustancias que figuran a continuación.

## Capacidad de 170 galones (643.5 litros). Reducción de Contaminantes Determinada por la evaluación de NSF.

Sustancia Evaluada para la Reducción	Concentración Promedio	Concentración Máxima Especificada por NSF	% Promedio de Reducción	Promedio de Concentración del Agua Procesada	Concentración Máxima Autorizada Aceptable de Agua Procesada	Requisitos de Reducción de NSF	Informe de Evaluación de NSF
Gusto y Olor a Cloro	2.0 mg/L	2.0 mg/L ± 10%	97.4%	0.05 mg/L	N/A	≥50%	J-00102044
Partícula Nominal Clase I, ≥0.5 to < 1.0 µm	7,633,333 pts/mL	Por lo menos 10,000 partículas/mL	99.0%	71,850 pts/ml	N/A	≥85%	J-00106249
Asbestos	109 MFL	10 <sup>7</sup> a 10 <sup>8</sup> fibras/L; fibras superiores a 10µm de longitud	99.99%	<1 MFL	N/A	≥99%	J-00102069
Atrazina	0.009 mg/L	0.009 mg/L ± 10%	94.4%	0.0005 mg/L	0.003 mg/L	N/A	J-00102058
Benceno	0.016 mg/L	0.015 mg/L ± 10%	96.4%	0.001 mg/L	0.005 mg/L	N/A	J-00102065
Carbofurano	0.08 mg/L	0.08 mg/L ± 10%	98.8%	0.001 mg/L	0.04 mg/L	N/A	J-00102059
Quiste*	104,750 quistes/L	Mínimo de 50,000 quistes/L	99.99%	3 quistes/L	N/A	≥99.95%	J-00102057
Plomo en pH 6.5	0.140 mg/L	0.15 mg/L ± 10%	99.3%	0.001 mg/L	0.010 mg/L	N/A	J-00102052
Plomo en pH 8.5	0.158 mg/L	0.15 mg/L ± 10%	98.3%	0.002 mg/L	0.010 mg/L	N/A	J-00102053
Mercury en pH 6.5	0.006 mg/L	0.006 mg/L ± 10%	91%	0.0003 mg/L	0.002 mg/L	N/A	J-00102054
Mercury en pH 8.5	0.006 mg/L	0.006 mg/L ± 10%	88.3%	0.0007 mg/L	0.002 mg/L	N/A	J-00104087
Lindano	0.002 mg/L	0.002 mg/L ± 10%	99%	0.00002 mg/L	0.0002 mg/L	N/A	J-00102063
P-Diclorobenceno	0.222 mg/L	0.225 mg/L ± 10%	99.8%	0.0005 mg/L	0.075 mg/L	N/A	J-00102067
Toxafeno	0.015 mg/L	0.015 mg/L ± 10%	93.5%	0.001 mg/L	0.003 mg/L	N/A	J-00102061
Reducción de 2,4 D	0.218 mg/L	0.210 mg/L ± 10%	99.9%	0.0001 mg/L	0.07 mg/L	N/A	J-00102064
COV	0.278 mg/L	0.300 mg/L ± 10%	97.7%	0.0015 mg/L	N/A	≥95%	J-00102070

\*Basado en el uso de *Cryptosporidium parvum* oocysts.

Los siguientes reclamos de reducción farmacéutica no fueron certificados por NSF International. Reclamos evaluados y verificados por un laboratorio independiente:

Reducción de la Sustancia	Concentración Promedio	Concentración Máxima Especificada por NSF	% Promedio de Reducción	Promedio de Concentración del Agua Procesada	Concentración Máxima Autorizada Aceptable de Agua Procesada	Informe de Evaluación de NSF
Atenolol	1088 ng/L	N/A	99.5%	5.0 ng/L	N/A	J-00103221
Fluoxetina	845 ng/L	N/A	99.4%	5.0 ng/L	N/A	J-00103221
Ibuprofeno	898 ng/L	N/A	98.8%	9.9 ng/L	N/A	J-00103726
Progesterona	945 ng/L	N/A	99.4%	5.5 ng/L	N/A	J-00103727
Trimetoprima	403 ng/L	N/A	99.5%	2.0 ng/L	N/A	J-00103221

## Pautas de Aplicación/ Parámetros de Suministro de Agua

Flujo de Servicio	0.5 gpm (1.89 lpm)	Presión del Agua	25-120 psi (172- 827 kPa)
Suministro de Agua	Agua Potable	Temperatura del agua	33° F - 100° F (0.6° C - 38° C)

Es esencial que se cumpla con los requisitos de instalación, mantenimiento y reemplazo de filtros recomendados por el fabricante, a fin de que el producto funcione de acuerdo a como fue promocionado. Para acceder a información sobre la Garantía, consulte el Manual de Instalación.

**Nota:** Observe que aunque la evaluación se realizó de acuerdo con condiciones estándares de laboratorio, el desempeño puede variar

Reemplazo del Cartucho: RPWFE. Para conocer costos estimados de elementos de reemplazo, comuníquese al 1-800-626-2002 o visite nuestro sitio Web en [www.geapplianceparts.com](http://www.geapplianceparts.com).

### ⚠ WARNING

**A fin de reducir el riesgo asociado con la ingestión de contaminantes:**

- No se deben usar con agua que no sea microbiológicamente segura o de calidad desconocida sin una desinfección adecuada, antes o después, del sistema. Los sistemas certificados para la reducción de quistes se podrían usar en aguas desinfectadas que puedan contener quistes filtrables. Número de Establecimiento de EPA 070595-MEX-001.

### AVISO

**A fin de reducir el riesgo de pérdidas de agua o inundación, y para asegurar un rendimiento óptimo del filtro:**

- Lea y siga las Instrucciones de uso antes de la instalación y uso de este sistema.
- La instalación y uso **DEBERÁN** cumplir con todos los códigos estatales y locales de plomería.

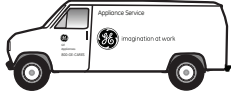
- **No se deberá** instalar si la presión del agua supera los 120 psi (827 kPa). Si la presión del agua es superior a los 80 psi, **deberá** instalar una válvula limitadora de presión. Si no está seguro sobre cómo controlar la presión del agua, comuníquese con un plomero profesional.
- **No** instale cuando se puedan producir condiciones de golpe de ariete. Si existen condiciones de golpe de ariete, **deberá** instalar un suspensor de golpes de ariete. Si no está seguro sobre cómo controlar esta condición, comuníquese con un plomero profesional.
- **No** instale en líneas de suministro de agua caliente. La temperatura máxima de funcionamiento del agua para este sistema de filtro es de 100°F (37.8°C).
- **Proteja el filtro de heladas.** Drene el filtro cuando las temperaturas sean inferiores a 33°F (0.6°C).
- Cambie el cartucho del filtro descartable cada seis meses o antes, si observa una reducción notoria en el promedio del flujo de agua.
- Si no se reemplaza el cartucho del filtro descartable en intervalos recomendados, se podrá producir un rendimiento inferior del filtro y quebraduras en el espacio de colocación del filtro, ocasionando pérdidas de agua o inundación.



Evaluado y certificado por NSF International contra el Estándar 42 y el Estándar 53 de NSF/ANSI en el modelo GE RPWF para la reducción de los reclamos especificados en la ficha técnica de funcionamiento.

# Garantía Limitada del Cartucho del Filtro de Agua RPWFE

Abroche su recibo aquí. Para acceder al servicio técnico de acuerdo con la garantía deberá contar con la prueba de la fecha original de compra.



Comuníquese con nosotros en [www.geapplianceparts.com](http://www.geapplianceparts.com), o llame al 800.GE.CARES.

<b>Por el Período de:</b>	<b>Reemplazaremos, Sin Costo:</b>
<b>Treinta Días</b> Desde la fecha de compra original.	<b>Cualquier parte</b> del cartucho del filtro de agua que falle debido a un defecto en los materiales o la fabricación durante esta <b>garantía limitada</b> de treinta días.*

**Qué No Está Cubierto:**

- Viajes del técnico del servicio a su hogar para enseñarle sobre cómo usar el producto.
- Instalación inadecuada.
- Fallas del producto en caso de abuso, mal uso, o uso para propósitos diferentes al original o uso comercial
- Reemplazo de fusibles de la casa o reinicio de disyuntores.
- Reemplazo del cartucho del filtro de agua debido a la presión del agua que está fuera del rango de funcionamiento específico o debido a exceso de sedimentos en el suministro de agua.
- Daños ocasionados sobre el producto por accidente, incendio, inundaciones o catástrofes naturales.
- Daños consecuentes o incidentales causados por posibles defectos de este producto.

*Esta garantía se extiende al comprador original y a cualquier dueño subsiguiente de productos adquiridos para uso hogareño dentro de EE.UU. En Alaska, la garantía excluye el costo de envío o llamadas al servicio técnico desde su hogar. Algunos estados no permiten la exclusión o limitación de daños fortuitos o consecuentes. Esta garantía le da derechos legales específicos y es posible que tenga otros derechos legales que varían entre un estado y otro. Para conocer cuáles son sus derechos legales, consulte a la oficina de asuntos del consumidor local o estatal o al Fiscal de su estado.*

**Para Adquisiciones Realizadas en Iowa:** Este formulario debe poseer la firma y fecha del comprador y del vendedor antes de la consumación de esta venta.

Este formulario debería ser retenido por el vendedor en un archivo durante un mínimo de dos años.

**Comprador:**

\_\_\_\_\_  
Nombre

\_\_\_\_\_  
Domicilio

\_\_\_\_\_  
Ciudad                      Estado                      Código Postal

\_\_\_\_\_  
Firma    Fecha

**Vendedor:**

\_\_\_\_\_  
Nombre

\_\_\_\_\_  
Domicilio

\_\_\_\_\_  
Ciudad                      Estado                      Código Postal

\_\_\_\_\_  
Firma    Fecha

\*Si su pieza de GE falla debido a un defecto en la fabricación dentro de los treinta días desde la fecha de compra original, le entregaremos una pieza nueva o, a su elección, una pieza reconstruida sin cargo. Devuelva la pieza defectuosa al proveedor de piezas a quien le realizó la compra, junto con una copia de la "prueba de compra" de la pieza. Si la pieza es defectuosa y no muestra signos de abuso, será cambiada. La garantía no cubre la falla de las piezas que están dañadas mientras están en su posesión, si son abusadas, o si fueron instaladas de forma incorrecta. No cubre el costo de regresar la pieza al proveedor a quien le realizó la compra ni cubre el costo del trabajo para retirar o instalar la misma a fin de diagnosticar la falla. No cubre las piezas usadas en productos de uso comercial, excepto en el caso de equipos acondicionadores de aire. En ningún caso GE será responsable por daños consecuentes. Garante: General Electric Company

EXCLUSIÓN DE GARANTÍAS IMPLÍCITAS: Su única y exclusiva alternativa es el cambio de la pieza, como se indica en esta Garantía Limitada. Las garantías implícitas, incluyendo garantías implícitas de comerciabilidad o conveniencia sobre un propósito particular, se limitan a seis meses o al período más corto permitido por la ley.



**GE**  
Appliances  
Appliance Park  
Louisville, KY 40225  
[geapplianceparts.com](http://geapplianceparts.com)

**RPWFE**

34-8715-2704-9  
EPA #070595-MEX-001

© 2014 General Electric Company PC78863

**Con la adquisición de su nuevo electrodoméstico Monogram, esté seguro de que si alguna vez necesita información o asistencia de GE, allí estaremos. ¡Todo lo que tiene que hacer es llamar sin costo!**

**GE Answer Center®**

**En EE.UU.:  
800.626.2000**

Cualquiera sea su consulta sobre uno de los electrodomésticos principales de Monogram, el servicio de información de GE Answer Center® está disponible para brindarle ayuda. Su llamada, y su consulta, serán respondidas de forma inmediata y gentil. Llame a GE Answer Center® de lunes a viernes de 8 a.m. a 10 p.m. (Hora del Este), y los sábados de 8 a.m. a 7 p.m. (Hora del Este)

OR

Visite nuestro sitio Web en: [monogram.com](http://monogram.com)

**En Canadá, llame al 1.800.561.3344**

**Servicio de Reparación en el Hogar**

**En EE.UU.:  
800.444.1845**

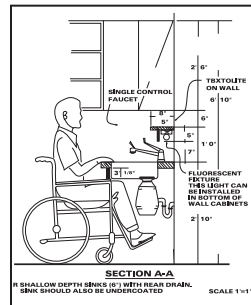
**En Canadá:  
1.800.561.3344**

Un profesional del servicio al cliente de GE le brindará el servicio de reparación profesional programado en el día y horario que sea de su conveniencia. Para programar el servicio técnico, comuníquese de lunes a viernes de 7 a.m. a 10 p.m. (Hora del Este), o los sábados y domingos de 8 a.m. a 6 p.m. (Hora del Este). Muchas ubicaciones de Servicio al Cliente de GE a cargo de la empresa le ofrecen el servicio hoy o mañana, o a su conveniencia. Nuestros técnicos con capacitación en fábrica conocen su electrodoméstico por dentro y fuera, de modo que la mayoría de las reparaciones se pueden resolver en una sola visita.

En Canadá: De lunes a viernes de 7 a.m. a 8 p.m. y los sábados de 8 a.m. a 5 p.m. (Hora del Este).

**Para Clientes con Necesidades Especiales...**

**En EE.UU.:  
800.626.2000**



GE ofrece controles en Braille para una variedad de electrodomésticos de GE, y un catálogo para planificar una cocina sin obstáculos para personas con movilidad limitada.

Los consumidores con incapacidad auditiva o de diálogo que poseen acceso a un TDD o a un teletipo convencional se pueden comunicar al 800.TDD.GEAC (800.833.4322) para solicitar información o el servicio técnico.

**Contactos del Servicio Técnico**

**En EE.UU.:  
800.626.2224**

**En Canadá:  
1.800.561.3344**

Puede estar seguro de que el Servicio al Cliente de GE aún estará allí una vez que su garantía caduque. Adquiera un contrato de GE mientras su garantía aún está vigente y recibirá un importante descuento. Con un contrato a muchos años, se asegura el acceso al servicio técnico futuro a los costos actuales.

**Piezas y Accesorios**

**En EE.UU.:  
800.626.2002**

**En Canadá:  
1.800.561.3344**

Aquellos individuos calificados para realizar el servicio técnico de sus propios electrodomésticos pueden solicitar el envío de piezas y accesorios directamente a sus hogares. El sistema de piezas de GE brinda acceso a más de 47.000 piezas... y todas las Piezas de Renovación Genuina de GE están totalmente garantizadas. Se aceptan las tarjetas VISA, MasterCard y Discover.

Visite [www.geapplianceparts.com](http://www.geapplianceparts.com).

Las instrucciones de mantenimiento del usuario que figuran en este manual cubren los procedimientos que deberán ser realizados por cualquier usuario. Otros servicios técnicos generalmente deben ser derivados a personal calificado del servicio. Se deberá tener cuidado, ya que una reparación indebida podrá ocasionar que el funcionamiento no sea seguro.



**GARANTÍA DE SU REFRIGERADOR MONOGRAM**  
**Abroche el recibo de venta o cheque cancelado aquí. Para acceder al servicio técnico correspondiente a la garantía, deberá contar con la prueba de la fecha original de compra.**

**QUÉ CUBRE LA GARANTÍA**

Desde la Fecha de la Compra Original

**GARANTÍA LIMITADA POR UN AÑO**

Por un año desde la fecha original de compra, le brindaremos, sin costo, piezas y trabajos del servicio técnico en su hogar para la reparación o reemplazo de cualquier parte del refrigerador que presente fallas debido a defectos de fabricación.

**GARANTÍA LIMITADA POR CINCO AÑOS**

Por cinco años desde la fecha original de compra, le brindaremos, sin costo, piezas y trabajos de servicio técnico en su hogar para la reparación o reemplazo de cualquier parte del sistema de refrigeración sellado (el compresor, condensador, evaporador y todos los tubos de conexión) que presente fallas debido a defectos de fabricación.

**GARANTÍA LIMITADA DE TREINTA DÍAS DEL CARTUCHO DEL FILTRO DE AGUA (Filtro de agua, si se incluye)**

Desde la fecha de compra original le brindaremos, sin costo, el reemplazo de partes de cualquier pieza del cartucho del filtro de agua que presente fallas debido a defectos de fabricación. Durante la garantía limitada por treinta días, también le brindaremos, sin costo, el reemplazo de un cartucho del filtro de agua.

.....  
 Esta garantía se extiende al comprador original y cualquier dueño subsiguiente para productos adquiridos para uso normal en el hogar en los 48 estados contiguos, Hawaii, Washington, D.C. o Canadá. Si el producto está en un área donde no se encuentra disponible un Proveedor Autorizado del Servicio Técnico de GE, usted será responsable por el costo de un viaje o se podrá requerir que traiga el producto a una ubicación del Servicio Técnico de GE Autorizado para recibir el servicio. En Alaska, la garantía es la misma excepto que es LIMITADA debido a que usted debe pagar el costo del envío del producto hasta el negocio del servicio técnico o por los costos de viaje del técnico del servicio a su hogar.

Todo el servicio de la garantía será provisto por nuestros Centros del Servicio de Fábrica o por un proveedor autorizado del servicio de Customer Care® durante el horario laboral normal.

Si es necesario realizar el servicio técnico de su electrodoméstico, durante el período de garantía o después, en EE.UU. comuníquese al 800.444.1845.

En Canadá: 800.561.3344. Cuando llame para solicitar el servicio, tenga los números de serie y modelo disponibles.

**QUÉ NO CUBRE LA GARANTÍA**

- Viajes del técnico del servicio a su hogar para enseñarle sobre cómo usar el producto.
  - Reemplazo de fusibles de la casa o reinicio de disyuntores.
  - Daños ocasionados sobre el producto por accidente, incendio, inundaciones o catástrofes naturales.
  - Fallas del producto si su uso es para propósitos diferentes al original o uso comercial.
  - Daño causado después de la entrega.
  - Instalación, entrega o mantenimiento inadecuados.
- Si tiene un problema con la instalación, comuníquese con su vendedor o instalador. Usted es responsable de brindar instalaciones

- adecuadas de conexión eléctrica, plomería u otras instalaciones de conexión.
- Reemplazo de bombillas de luz, si se incluyen, o el cartucho del filtro de agua, si se incluye, a diferencia de lo detallado anteriormente.
- Reemplazo del cartucho del filtro de agua, si se incluye, debido a la presión del agua que está fuera del rango de funcionamiento específico o debido a exceso de sedimentos en el suministro de agua.
- Pérdida de comida debido a degradación (en EE.UU. únicamente).
- Daños consecuentes o incidentales causados por posibles defectos sobre este producto.
- Producto no accesible para que se brinde el servicio requerido.

**EXCLUSIÓN DE GARANTÍAS IMPLÍCITAS – Su única y exclusiva alternativa es la reparación del producto, como se indica en la Garantía Limitada. Cualquier garantía implícita, incluyendo garantías implícitas de comerciabilidad o conveniencia sobre un propósito particular, se limitan a un año o al período más corto permitido por la ley.**

Algunos estados/provincias no permiten la exclusión o limitación de daños incidentales o consecuentes, de modo que es posible que dicha exclusión o limitación no se aplique a usted. Esta garantía le da derechos legales específicos, y es posible que también tenga otros derechos legales que varíen entre un estado y otro, o entre una provincia y otra. Para conocer cuáles son sus derechos legales en su estado/ provincia, consulte a la oficina de asuntos del consumidor local o estatal/ provincial o al Fiscal de su Estado.

Garante en EE.UU.: General Electric Company,  
 Louisville, KY 40225

Garante en Canadá: Mabe Canada Inc.



**GE Appliances**  
 Appliance Park  
 Louisville, KY 40225  
 GEAppliances.com

**YOUR MONOGRAM REFRIGERATOR WARRANTY**

**Staple sales slip or cancelled check here. Proof of original purchase date is needed to obtain service under warranty.**

**WHAT IS COVERED**

*From the Date of the Original Purchase*

**LIMITED ONE-YEAR WARRANTY**

For one year from date of original purchase, we will provide, free of charge, parts and service labor in your home to repair or replace *any part of the refrigerator* that fails because of a manufacturing defect.

**LIMITED FIVE-YEAR WARRANTY**

For five years from date of original purchase, we will provide, free of charge, parts and service labor in your home to repair or replace *any part of the sealed refrigerating system* (the compressor, condenser, evaporator and all connecting tubing) that fails because of a manufacturing defect.

**LIMITED THIRTY-DAY WARRANTY ON WATER FILTER CARTRIDGE (Water filter, if included)**

From the date of the original purchase we will provide, free of charge, replacement parts for *any part of the water filter cartridge* that fails because of a manufacturing defect. During this limited thirty-day warranty, we will also provide, free of charge, a replacement water filter cartridge.

This warranty is extended to the original purchaser and any succeeding owner for products purchased for ordinary home use in the 48 mainland states, Hawaii, Washington, D.C. or Canada. If the product is located in an area where service by a GE Authorized Servicer is not available, you may be responsible for a trip charge or you may be required to bring the product to an Authorized GE Service location for service. In Alaska the warranty is the same except that it is LIMITED because you must pay to ship the product to the service shop or for the service technician's travel costs to your home.

All warranty service will be provided by our Factory Service Centers or by our authorized Customer Care® servicers during normal working hours.

Should your appliance need service, during warranty period or beyond, in the USA call 800.444.1845. In Canada: 800.561.3344. Please have your serial number and model number available when calling for service.

**WHAT IS NOT COVERED**

- Service trips to your home to teach you how to use the product.
- Replacement of house fuses or resetting of circuit breakers.
- Damage to the product caused by accident, fire, floods or acts of God.
- Failure of the product if it is used for other than its intended purpose or used commercially.
- Damage caused after delivery.
- Improper installation, delivery or maintenance. If you have an installation problem, contact your dealer or installer. You are responsible for providing adequate electrical, plumbing and other connecting facilities.
- Replacement of the light bulbs, if included, or water filter cartridge, if included, other than as noted above.
- Replacement of the water filter cartridge, if included, due to water pressure that is outside the specified operating range or due to excessive sediment in the water supply.
- Loss of food due to spoilage (in the USA only).
- Incidental or consequential damage caused by possible defects with this appliance.
- Product not accessible to provide required service.

**EXCLUSION OF IMPLIED WARRANTIES—Your sole and exclusive remedy is product repair as provided in this Limited Warranty. Any implied warranties, including the implied warranties of merchantability or fitness for a particular purpose, are limited to one year or the shortest period allowed by law.**

Some states/provinces do not allow the exclusion or limitation of incidental or consequential damages, so the above limitation or exclusion may not apply to you. This warranty gives you specific legal rights, and you may also have other rights which vary from state to state/province to province. To know what your legal rights are in your state/province, consult your local or state/provincial consumer affairs office or your state's Attorney General.

**Warrantor in USA: General Electric Company,  
Louisville, KY 40225**

**Warrantor in Canada: Mabe Canada Inc.**

239D4535P003  
49-60718-2

03-15 GE

Printed in the United States



**GE Appliances**  
Appliance Park  
Louisville, KY 40225  
GEAppliances.com