



Profile Dryers

Safety Instructions 2-4

Installation Instructions

Electric Dryer 5-11

Gas Dryer 12-19

Operating Instructions

Control Panels 20

Control Settings 21-22

Dryer Features 23

Reversing the Door 24

Loading and Using the Dryer 25

Venting the Dryer 26

Troubleshooting Tips27, 28

Consumer Support

Consumer Support 29

Warranty 30

Write the model and serial number here:

Model # _____

Serial # _____

You can find them on a label on the front of the dryer behind the door.

IMPORTANT SAFETY INFORMATION. READ ALL INSTRUCTIONS BEFORE USING.

⚠ WARNING!

For your safety, the information in this manual must be followed to minimize the risk of fire or explosion, electric shock, or to prevent property damage, personal injury, or death.

- Do not store or use gasoline or other flammable vapors and liquids in the vicinity of this or any other appliance.
- Installation and service must be performed by a qualified installer, service agency or the gas supplier.

WHAT TO DO IF YOU SMELL GAS:

- 1 Do not try to light a match, or cigarette, or turn on any gas or electrical appliance.
- 2 Do not touch any electrical switch; do not use any phone in your building.
- 3 Clear the room, building or area of all occupants.
- 4 Immediately call your gas supplier from a neighbor's phone. Follow the gas supplier's instructions carefully.
- 5 If you cannot reach your gas supplier, call the fire department.



PROPER INSTALLATION

This dryer must be properly installed and located in accordance with the Installation Instructions before it is used. If you did not receive an Installation Instructions sheet, you can receive one by visiting GEAppliances.ca or by calling 1.800.561.3344

- Properly ground dryer to conform with all governing codes and ordinances. Follow details in Installation Instructions.
- Install or store where it will not be exposed to temperatures below freezing or exposed to the weather.
- Connect to a properly rated, protected and sized power supply circuit to avoid electrical overload.
- Remove all sharp packing items and dispose of all shipping materials properly.

Exhaust/Ducting:

- 1 All dryers **MUST** be exhausted to the outside.
- 2 Use only rigid metal 4" diameter ductwork inside the dryer cabinet and use only rigid metal 4" diameter or UL approved transition ducting between the dryer and the home duct. **USE OF PLASTIC OR OTHER COMBUSTIBLE DUCTWORK CAN CAUSE A FIRE. PUNCTURED DUCTWORK CAN CAUSE A FIRE IF IT COLLAPSES OR BECOMES OTHERWISE RESTRICTED IN USE OR DURING INSTALLATION.**

For complete details, follow the Installation Instructions.



YOUR LAUNDRY AREA

- Keep the area underneath and around your appliances free of combustible materials (lint, paper, rags, etc.), gasoline, chemicals and other flammable vapors and liquids.
- Keep all laundry aids (such as detergents, bleaches, etc.) out of the reach of children, preferably in a locked cabinet. Observe all warnings on container labels to avoid injury.
- Keep the floor around your appliances clean and dry to reduce the possibility of slipping.
- Never climb on or stand on the dryer top.
- Close supervision is necessary if this appliance is used near children. Do not allow children to play on, with or inside this or any other appliance.

⚠ WARNING!



WHEN USING YOUR DRYER

- Never reach into the dryer while the drum is moving. Before loading, unloading or adding clothes, wait until the drum has completely stopped.
- The laundry process can reduce the flame retardancy of fabrics. To avoid such a result, carefully follow the garment manufacturer's care instructions.
- Clean the lint filter before each load to prevent lint accumulation inside the dryer or in the room. **DO NOT OPERATE THE DRYER WITHOUT THE LINT FILTER IN PLACE.**
- Do not dry articles containing rubber, plastic, foam or similar materials such as padded bras, tennis shoes, galoshes, bath mats, rugs, bibs, baby pants, plastic bags, pillows, etc., that may melt or burn. Some rubber materials, when heated, can under certain circumstances produce fire by spontaneous combustion.
- Do not wash or dry articles that have been cleaned in, washed in, soaked in or spotted with combustible or explosive substances (such as wax, oil, paint, gasoline, degreasers, dry-cleaning solvents, kerosene, etc.). These substances give off vapors that may ignite or explode. Do not add these substances to the wash water. Do not use or place these substances around your washer or dryer during operation.
- Do not store plastic, paper or clothing that may burn or melt on top of the dryer during operation.
- Do not place items exposed to cooking oils in your dryer. Items contaminated with cooking oils may contribute to a chemical reaction that could cause a clothes load to catch fire.
- Garments labeled *Dry Away from Heat* or *Do Not Tumble Dry* (such as life jackets containing Kapok) must not be put in your dryer.
- Do not dry fiberglass articles in your dryer. Skin irritation could result from the remaining particles that may be picked up by clothing during subsequent dryer uses.
- Any article on which you have used a cleaning solvent or that contains flammable materials (such as cleaning cloths, mops, towels used in beauty salons, restaurants or barber shops, etc.) must not be placed in or near the dryer. There are many highly flammable items used in homes such as acetone, denatured alcohol, gasoline, kerosene, some household cleaners, some spot removers, turpentine, waxes, wax removers and products containing petroleum distillates.
- To minimize the possibility of electric shock, unplug this appliance from the power supply or disconnect the dryer at the household distribution panel by removing the fuse or switching off the circuit breaker before attempting any maintenance or cleaning (except the removal and cleaning of the lint filter). **NOTE:** Turning the Cycle Selector knob to an off position, or pressing START/PAUSE does **NOT** disconnect the appliance from the power supply.

IMPORTANT SAFETY INFORMATION. READ ALL INSTRUCTIONS BEFORE USING.

WARNING!



WHEN USING YOUR DRYER (cont.)

- Never attempt to operate this appliance if it is damaged, malfunctioning, partially disassembled, or has missing or broken parts, including a damaged cord or plug.
- The interior of the machine and the exhaust duct connection inside the dryer should be cleaned at least once a year by a qualified technician. See the *Loading and Using the Dryer* section.
- If yours is a gas dryer, it is equipped with an automatic electric ignition and does not have a pilot light. **DO NOT ATTEMPT TO LIGHT WITH A MATCH** Burns may result from having your hand in the vicinity of the burner when the automatic ignition turns on.
- You may wish to soften your laundered fabrics or reduce the static electricity in them by using a dryer-applied fabric softener or an anti-static conditioner. We recommend you use either a fabric softener in the wash cycle, according to the manufacturer's instructions for those products, or try a dryer-added product for which the manufacturer gives written assurance on the package that their product can be safely used in your dryer. Service or performance problems caused by use of these products are the responsibility of the manufacturers of those products and are not covered under the warranty to this appliance.



WHEN NOT USING YOUR DRYER

- Grasp the plug firmly when disconnecting this appliance to avoid damage to the cord while pulling. Place the cord away from traffic areas so it will not be stepped on, tripped over or subjected to damage.
- Before discarding a dryer, or removing it from service, remove the dryer door to prevent children from hiding inside.
- Do not tamper with controls.
- Do not attempt to repair or replace any part of this appliance or attempt any servicing unless specifically recommended in this Owner's Manual or in published user-repair instructions that you understand and have the skills to carry out.



**READ AND FOLLOW THIS SAFETY INFORMATION CAREFULLY.
SAVE THESE INSTRUCTIONS**

BEFORE YOU BEGIN

Read these instructions completely and carefully.

- **IMPORTANT** - Observe all governing codes and ordinances.
- **Note to Installer** Be sure to leave these instructions with the customer.
- **Note to Customer** Keep these instructions with your Use and Care Book for future reference.
- Exhausting the dryer to the outdoors is strongly recommended to prevent large amounts of moisture from being blown into the room.
- Before the old dryer is removed from service or discarded, remove the dryer door.
- Service information and the wiring diagram are located in the control console.
- Do not allow children on or in the appliance. Close supervision of children is necessary when the appliance is used near children.

FOR YOUR SAFETY:

⚠ WARNING

- Use only rigid metal or flexible metal 4-in. diameter ductwork for exhausting to the outdoors. Never use plastic or other combustible, easy-to-puncture ductwork.
- This appliance must be properly grounded and installed as described in these instructions.
- Do not install or store appliance in an area where it will be exposed to water and/or weather.
- Install the dryer where the temperature is above 50°F for satisfactory operation of the dryer control system.

NOTE: Installation and service of this dryer requires basic mechanical and electrical skills. It is your responsibility to contact a qualified installer to make the electrical connections.

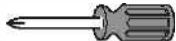
TOOLS YOU WILL NEED



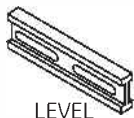
SLIP JOINT PLIERS



FLAT BLADE SCREWDRIVER



PHILLIPS SCREWDRIVER



LEVEL

MATERIALS YOU WILL NEED



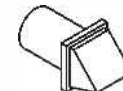
4" DIA. METAL DUCT (RECOMMENDED)



4" DUCT CLAMPS (2) OR 4" SPRING CLAMPS (2)



4" DIA. METAL ELBOW



EXHAUST HOOD



SAFETY GLASSES



4" DIA. FLEXIBLE METAL DUCT (IF NEEDED)



DUCT TAPE



GLOVES

Step 1 Prepare the Area and Exhaust for Installation of New Dryer (see section 1).

Step 2 Check and Ensure the Existing External Exhaust is Clean (see section 1) and Meets Attached Installation Specifications (see section 3).

Step 3 Remove the Foam Shipping Pads (see section 1).

Step 4 Move the Dryer to the Desired Location.

Step 5 Connect the Power Supply (see section 2).

Step 6 Connect the External Exhaust (see section 4).

Step 7 Level Your Dryer (see section 5).

Step 8 Check the Operation of the Power Supply and Venting.

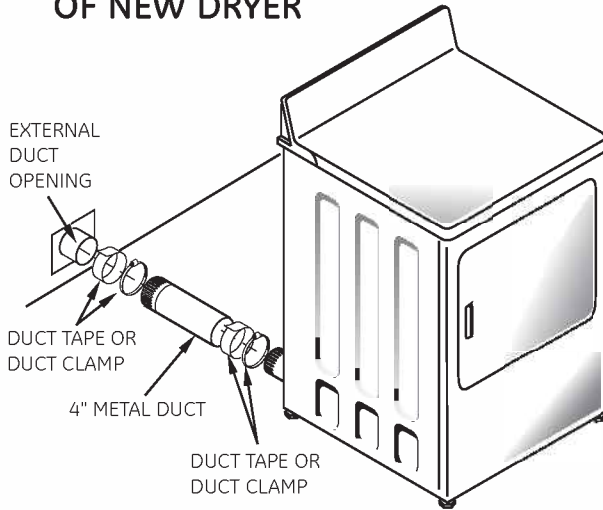
Step 9 Place the owners manual and the installation instructions in a location where they will be noticed by the owner.

For Alcove or Closet Installation, see section 6.
For Bathroom or Bedroom Installation, see section 7.
For Mobile or Manufactured Home see, section 8.
For side or bottom exhaust, see section 9.

Minimum Clearance Other Than Alcove or Closet Installation

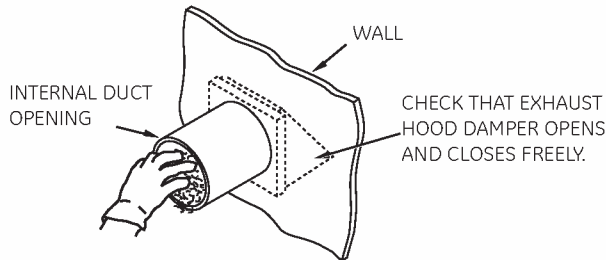
Minimum clearance to combustible surfaces and for air opening are: 0 in. clearance both sides and 1 in. rear. Consideration **must** be given to provide adequate clearance for installation and service.

1 PREPARING FOR INSTALLATION OF NEW DRYER



TIP: Install your dryer before installing your washer. This will allow better access when installing dryer exhaust.

REMOVING LINT FROM WALL EXHAUST OPENING



TILT THE DRYER SIDWAYS AND REMOVE THE FOAM SHIPPING PADS BY PULLING AT THE SIDES AND BREAKING THEM AWAY FROM THE DRYER LEGS. BE SURE TO REMOVE ALL OF THE FOAM PIECES AROUND THE LEGS.



2 ELECTRICAL CONNECTION INFORMATION

⚠ WARNING - TO REDUCE THE RISK OF FIRE, ELECTRICAL SHOCK AND PERSONAL INJURY:

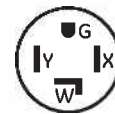
• **DO NOT USE AN EXTENSION CORD OR AN ADAPTER PLUG WITH THIS APPLIANCE.**

Dryer must be electrically grounded in accordance with local codes and ordinances. Installation must be in accordance with the current CSA C22.1 Canadian Electrical code part 1. Improper connection of the equipment-grounding conductor can result in an electric shock. Check with a qualified electrician or service representative or personnel if you are in doubt as to whether the appliance is properly grounded.

Do not modify the plug provided with the appliance: if it will not fit the outlet, have a proper outlet installed by a qualified electrician.

ELECTRICAL REQUIREMENTS

This dryer must be connected to an individual branch circuit protected by the required time-delay fuses or circuit breakers. The power supply must be 120/240 volts, 60Hz circuit with the wall receptacle as shown below.



TYPICAL 30 AMP RECEPTACLE FOR DRYER

The power supply must be protected with 30 Amp fuses or breakers. It must be well grounded and conform to local codes.

GROUNDING INSTRUCTIONS

This appliance must be grounded. In the event of malfunction or breakdown, grounding will reduce the risk of electric shock by providing a path of least resistance for electric current. This appliance is equipped with a cord having an equipment-grounding conductor and a grounding plug. The plug must be plugged into an appropriate outlet that is properly installed and grounded in accordance with all local codes and ordinances.

3 EXHAUST INFORMATION

⚠ WARNING - USE ONLY METAL 4-IN. DUCT. DO NOT USE DUCT LONGER THAN SPECIFIED IN THE EXHAUST LENGTH TABLE.

Using exhaust longer than specified length will:
 Increase the drying times and the energy cost.
 Reduce the dryer life.
 Accumulate lint, creating a potential fire hazard.

The correct exhaust installation is YOUR RESPONSIBILITY. Problems due to incorrect installation are not covered by the warranty.

The MAXIMUM ALLOWABLE length of the exhaust system depends upon the type of duct, number of turns, the type of exhaust hood (wall cap), and all conditions noted below. Both rigid and flexible metal duct are shown in the table below.

EXHAUST LENGTH

RECOMMENDED MAXIMUM LENGTH				
Exhaust Hood Types				
Recommended		Use only for short run installations		
No. of 90° Elbows	Rigid Metal	Flexible Metal	Rigid Metal	Flexible Metal
0	90 Feet	55 Feet	60 Feet	45 Feet
1	60 Feet	40 Feet	45 Feet	30 Feet
2	45 Feet	30 Feet	35 Feet	20 Feet
3	35 Feet	20 Feet	25 Feet	15 Feet
4	25 Feet	15 Feet	15 Feet	10 Feet

If using flexible metal duct, please refer to page 8.

EXHAUST SYSTEM CHECK LIST

HOOD OR WALL CAP

Terminate in a manner to prevent back drafts or entry of birds or other wildlife.

Termination should present minimal resistance to the exhaust air flow and should require little or no maintenance to prevent clogging.

Never install a screen in or over the exhaust duct. This could cause lint build up.

Wall caps must be installed at least 12 in. above ground level or any other obstruction with the opening pointed down.

If roof vents or louvered plenums are used, they must be equivalent to a 4-in. dampened wall cap in regard to resistance to air flow, prevention of back drafts, and maintenance required to prevent clogging.

SEPARATION OF TURNS

For best performance, separate all turns by at least 4 ft. of straight duct, including distance between last turn and exhaust hood.

TURNS OTHER THAN 90°

One turn of 45° or less may be ignored.

Two 45° turns should be treated as one 90° turn.

Each turn over 45° should be treated as one 90° turn.

SEALING OF JOINTS

All joints should be tight to avoid leaks. The male end of each section of duct must point away from the dryer.

Do not assemble the ductwork with fasteners that extend into the duct. They will serve as a collection point for lint.

Duct joints can be made air and moisture-tight by wrapping the overlapped joints with duct tape.

Horizontal runs should slope down toward the outdoors 1/2 inch per foot.

INSULATION

Duct work that runs through an unheated area or is near air conditioning should be insulated to reduce condensation and lint build-up.

4 EXHAUST CONNECTION

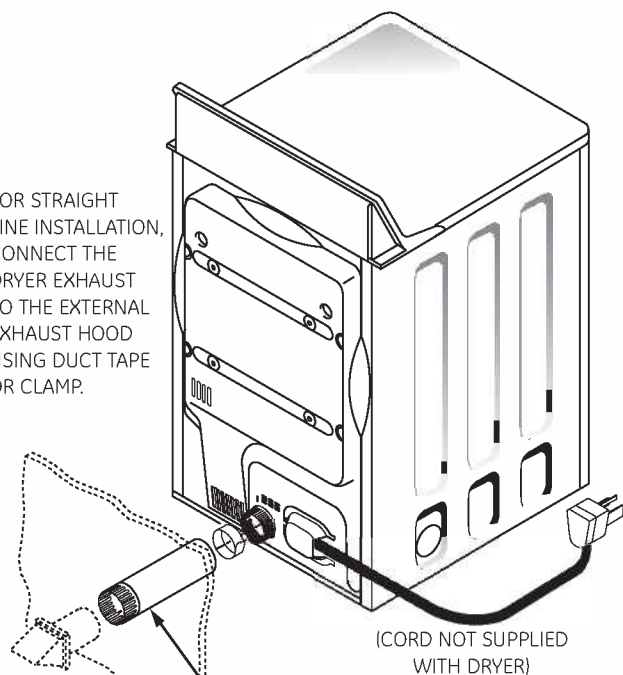
⚠ WARNING - TO REDUCE THE RISK OF FIRE OR PERSONAL INJURY:

- Exhausting the dryer to the outdoors is strongly recommended to prevent large amounts of moisture from being blown into the room.
- Use only metal duct.
- Do not terminate exhaust in a chimney, any gas vent, under an enclosed floor (crawl space), or into an attic. The accumulated lint could create a fire hazard.
- Provide an access for inspection and cleaning of the exhaust system, especially at turns. Inspect and clean at least once a year.
- Never terminate the exhaust into a common duct with a kitchen exhaust. A combination of lint and grease could create a fire hazard.
- Do not obstruct incoming or exhausted air.

THIS DRYER COMES READY FOR REAR EXHAUSTING. IF SPACE IS LIMITED, USE THE INSTRUCTIONS IN SECTION 9 TO EXHAUST DIRECTLY FROM THE SIDES OR BOTTOM OF THE CABINET.

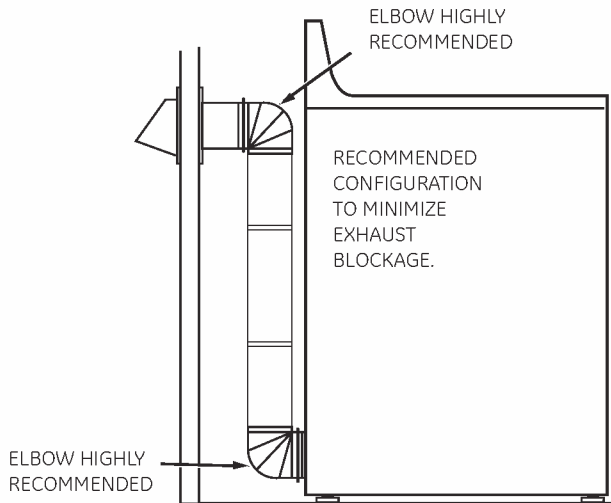
STANDARD REAR EXHAUST (Vented at floor level)

FOR STRAIGHT LINE INSTALLATION, CONNECT THE DRYER EXHAUST TO THE EXTERNAL EXHAUST HOOD USING DUCT TAPE OR CLAMP.



NOTE: WE STRONGLY RECOMMEND SOLID METAL EXHAUST DUCTING. HOWEVER, IF FLEXIBLE DUCTING IS USED IT **MUST BE METAL NOT PLASTIC**

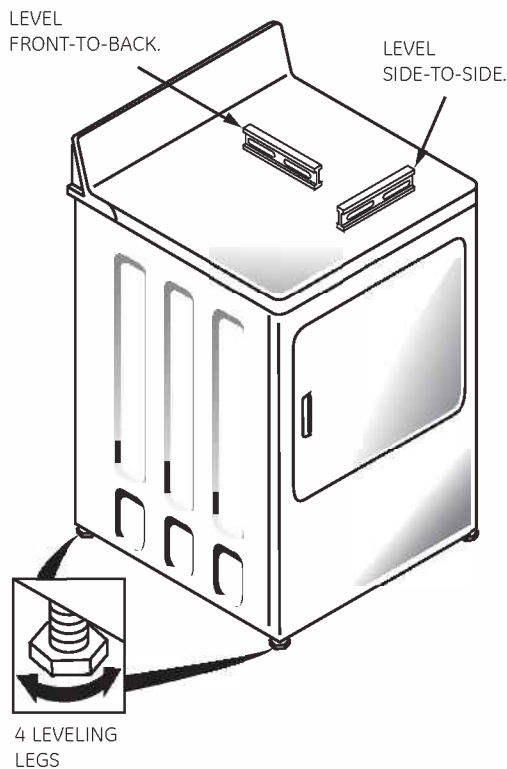
STANDARD REAR EXHAUST (Vented above floor level)



NOTE: ELBOWS WILL PREVENT DUCT KINKING AND COLLAPSING.

5 LEVELING AND STABILIZING YOUR DRYER

STAND THE DRYER UPRIGHT NEAR THE FINAL LOCATION AND ADJUST THE 4 LEVELING LEGS, AT THE CORNERS, TO ENSURE THAT THE DRYER IS LEVEL FROM SIDE TO SIDE AND FRONT TO REAR.

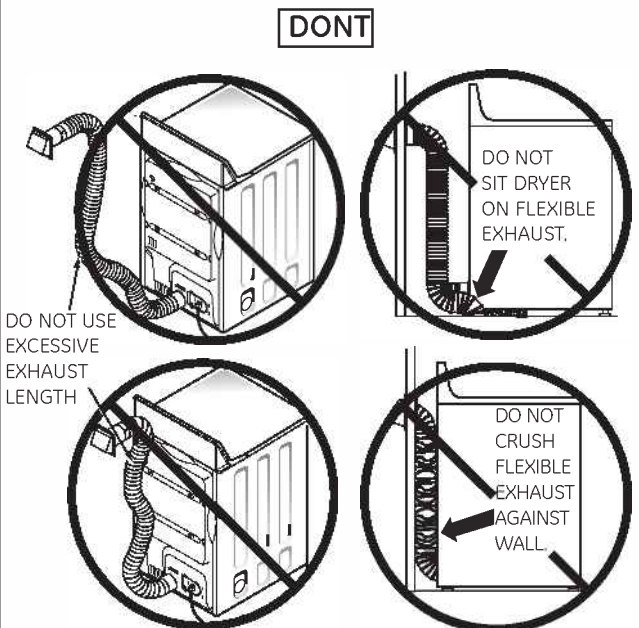
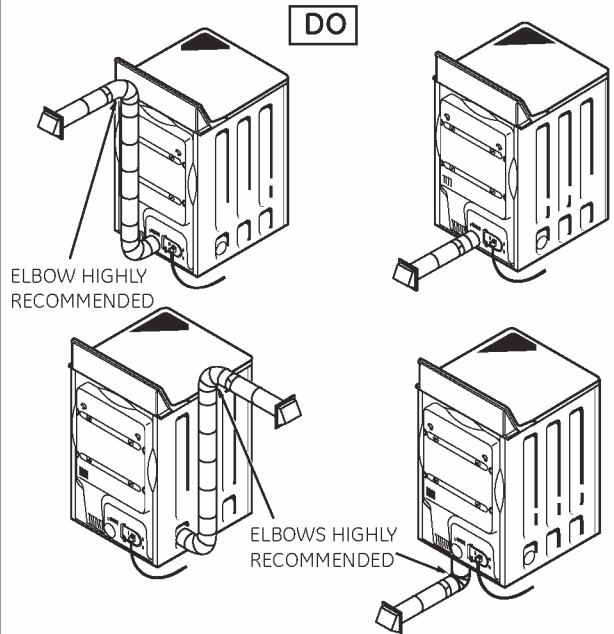


USING FLEXIBLE METAL DUCTS

If rigid all-metal duct cannot be used, then flexible all-metal ducting can be used, but it will reduce the maximum recommended duct length. In special installations when it is impossible to use only metal ducting, then UL-listed clothes dryer flexible metal transition duct may be used as transition venting between the dryer and wall connection only. The use of this ducting will affect dry time.

If flexible transition duct is necessary, the following directions **must** be followed.

- Use the Shortest Length Possible.
- Stretch the Duct to Its Maximum Length to avoid kinks.
- Do Not Crush or Collapse the Duct.
- Never Use Transition Duct Inside the Wall or Inside the Dryer.
- Avoid Resting the Duct on Sharp Objects.
- **Venting Must Conform to Local Building Codes.**



INDOOR EXHAUSTING

NOTE: MOBILE HOME, BEDROOM, BATHROOM, ALCOVE OR CLOSET INSTALLATIONS MUST BE EXHAUSTED TO THE OUTDOORS

OTHER INSTALLATIONS: If the installation makes it impossible to exhaust to the outdoors, a 4" exhaust deflector (WE25X278) must be installed. A clearance of 8" is required between the rear of the dryer and the wall, and the deflector should be pointing up.

NOTE: EXHAUSTING TO THE OUTDOORS IS STRONGLY RECOMMENDED, EXHAUSTING INDOORS MAY CAUSE LINT ACCUMULATION, AND MOISTURE DAMAGE INCLUDING MOLD AND MILDEW.

6 ALCOVE OR CLOSET INSTALLATION

- If your dryer is approved for installation in an alcove or closet, it will be stated on a label on the dryer back.
- The dryer **MUST** be vented to the outdoors. See the EXHAUST INFORMATION sections 3 & 4.
- Minimum clearance between dryer cabinet and adjacent walls or other surfaces is:
 - 0 in. either side
 - 3 in. front and rear
- Minimum vertical space from floor to overhead cabinets, ceiling, etc. is 52 in.
- Closet doors must be louvered or otherwise ventilated and must contain a minimum of 60 sq. in. of open area equally distributed. If the closet contains both a washer and a dryer, doors must contain a minimum of 120 sq. in. of open area equally distributed.

7 BATHROOM OR BEDROOM INSTALLATION

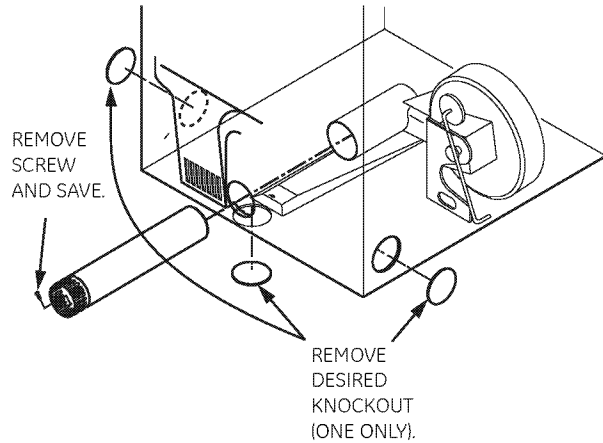
- The dryer **MUST** be vented to the outdoors. See EXHAUST INFORMATION section 3 & 4.
- The installation must conform with local codes or, in the absence of local codes, with the current CSA C22.1 Canadian Electrical code part 1.

8 MOBILE OR MANUFACTURED HOME INSTALLATION

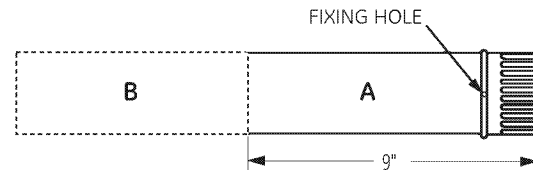
- Installation must conform to the current CAN/CSA Z240 MH series Mobile Home Installation Codes.
- The dryer **MUST** be vented to the outdoors with the termination securely fastened to the mobile home structure. (See EXHAUST INFORMATION section 3 & 4.)
- The vent **MUST NOT** be terminated beneath a mobile or manufactured home.
- The vent duct material **MUST BE METAL**.
- Do not use sheet metal screws or other fastening devices which extend into the interior of the exhaust vent.
- See section 2 for electrical connection information.

9 DRYER EXHAUST TO RIGHT, LEFT OR BOTTOM CABINET

⚠ WARNING - BEFORE PERFORMING THIS EXHAUST INSTALLATION, BE SURE TO DISCONNECT THE DRYER FROM ITS ELECTRICAL SUPPLY. PROTECT YOUR HANDS AND ARMS FROM SHARP EDGES WHEN WORKING INSIDE THE CABINET. BE SURE TO WEAR GLOVES.

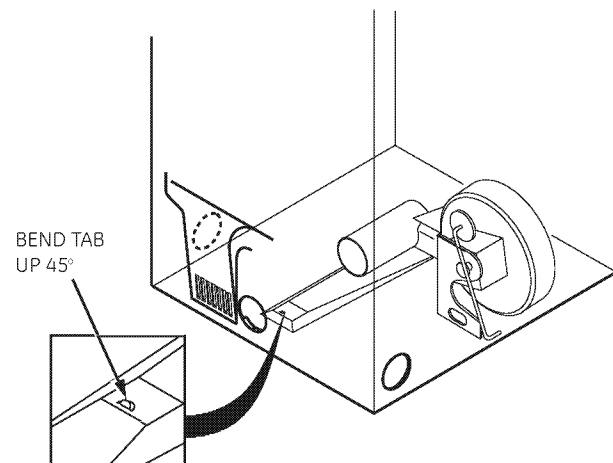


Detach and remove the bottom, right or left side knockouts as desired. Remove the screw inside the dryer exhaust duct and save. Pull the duct out of the dryer.



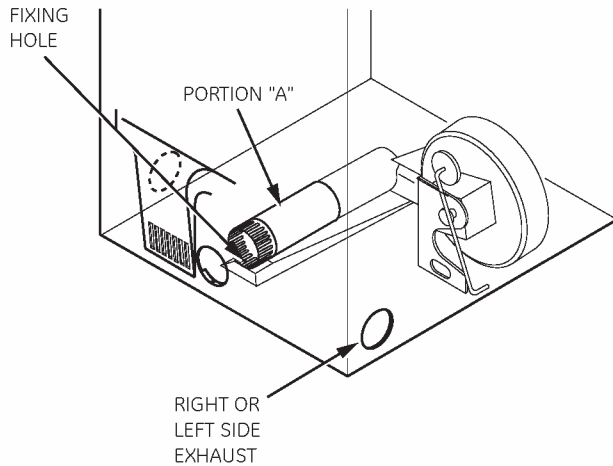
Cut the duct as shown and keep portion A.

TAB LOCATION



Through the rear opening, locate the tab in the middle of the appliance base. Lift the tab to about 45° using a flat blade screwdriver.

ADDING NEW DUCT

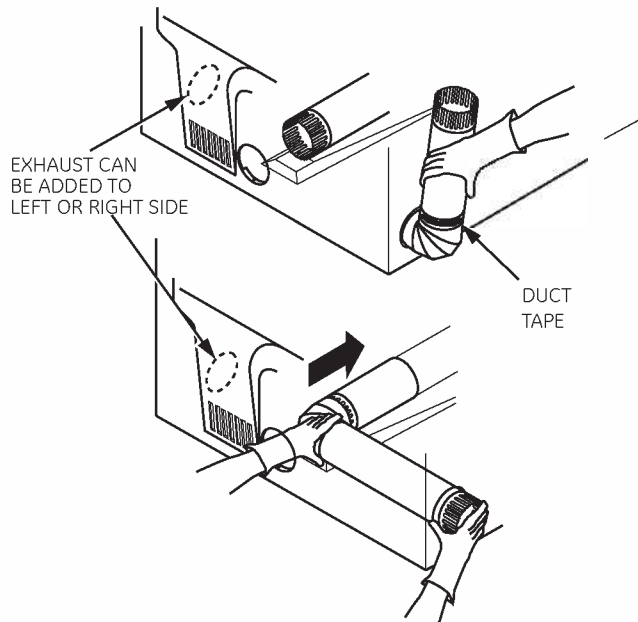


Reconnect the cut portion (A) of the duct to the blower housing. Make sure that the shortened duct is aligned with the tab in the base. Use the screw saved previously to secure the duct in place through the tab on the appliance base.

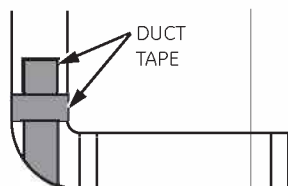
ADDING ELBOW AND DUCT FOR EXHAUST TO LEFT OR RIGHT SIDE OF CABINET

- Preassemble 4" elbow with 4" duct. Wrap duct tape around joint.
- Insert duct assembly, elbow first, through the side opening and connect the elbow to the dryer internal duct.

CAUTION: Be sure not to pull or damage the electrical wires inside the dryer when inserting the duct.



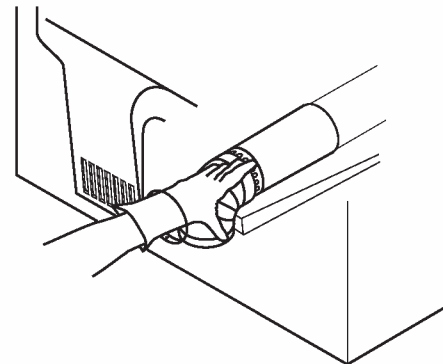
- Apply duct tape as shown on the joint between the dryer internal duct and the elbow.



CAUTION: Internal duct joints must be secured with tape, otherwise they may separate and cause a safety hazard.

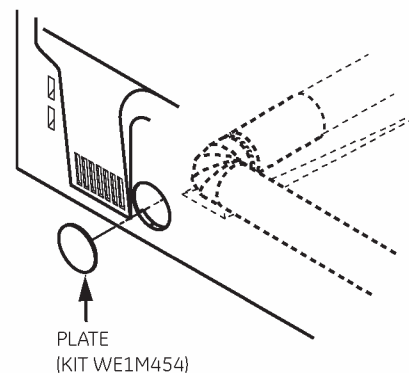
ADDING ELBOW FOR EXHAUST THROUGH BOTTOM OF CABINET

- Insert the elbow through the rear opening and connect it to the dryer internal duct.
- Apply duct tape on the joint between the dryer internal duct and elbow, as shown above.



CAUTION: Internal duct joints must be secured with tape, otherwise they may separate and cause a safety hazard.

ADDING COVER PLATE TO REAR OF CABINET (SIDES AND BOTTOM EXHAUST)



Connect standard metal elbows and ducts to complete the exhaust system. Cover back opening with a plate (Kit WE1M454) available from your local service provider. Place dryer in final location.

⚠ WARNING - NEVER LEAVE THE BACK OPENING WITHOUT THE PLATE. (Kit WE1M454)

For Questions on Installation, Call: 1-800-561-3344

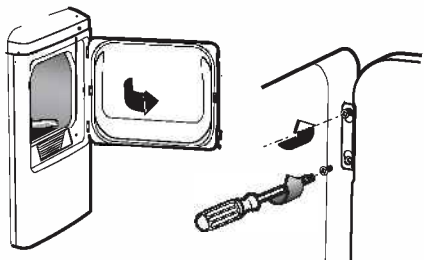
10 CHANGING DIRECTION OF DOOR OPENING

1. Before you start

Unplug the dryer from the electric power.

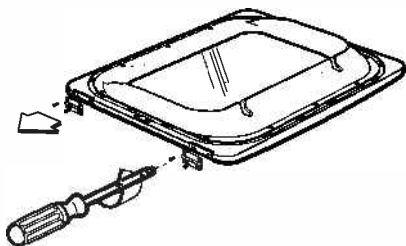
2. Remove the door

Open the door approximately 90 degrees, remove the filler plugs on the opposite side of the dryer front, remove the screws on the bottom part of the two hinges. Insert these screws in the **TOP** screw holes of each hinge location on the other side of the dryer front. Loosen the top screw of both hinges. Remove the door by lifting it **UP** and **OUT**. Remove the two remaining screws and set them aside.



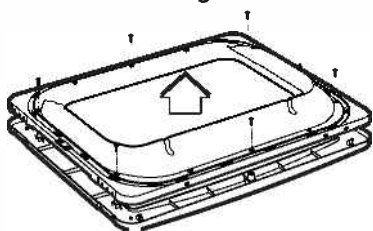
3. Invert the direction of the door panel

With the door lying on a safe, plain, protected surface, remove the four screws from the hinges.

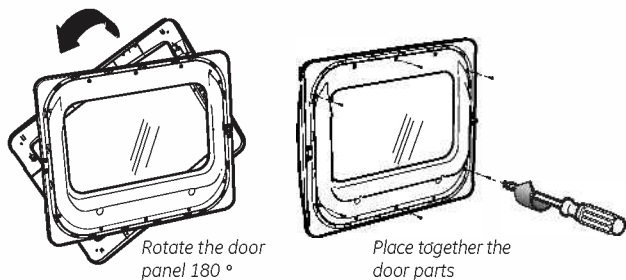


Separate the door frame from the inside of the door, unscrewing the 6 screws.

IMPORTANT: Remove only the 6 screws as shown below.



Rotate the door panel 180 degrees and reinsert the inside of the door in the door panel.

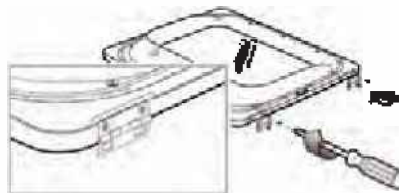


Rotate the door panel 180°

Place together the door parts

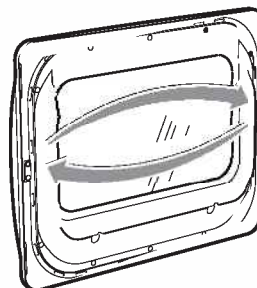
Secure the hinges on the opposite side of the door handle, using the same four screws on the hinge from step 3. Screw the other two on the handle side.

IMPORTANT: Check the position of the hinge as shown below:



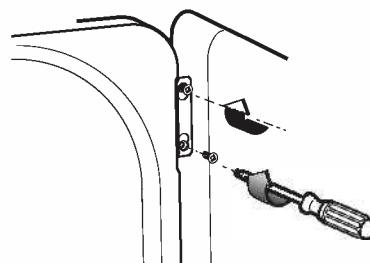
4. Change the direction of the door strikes

Unscrew the two plates - the cover plate and the strike plate (the strike plate has a metal part protruding) - and reinstall one in the place of the other.



5. Reinstall the door

The door is ready to be installed on the dryer. Partially fasten one of the screws (removed in step 2) into the uppermost hole on the opposite side of the dryer front. Insert the keyhole at the screw - partially screwed. Tighten the remaining 3 screws (those who remained aside in step 2) and completely fasten the top screw.



11 SERVICING

⚠ WARNING - LABEL ALL WIRES PRIOR TO DISCONNECTING WHEN SERVICING CONTROLS. WIRING ERRORS CAN CAUSE IMPROPER AND DANGEROUS OPERATION AFTER SERVICING/INSTALLATION.

For servicing phone numbers for replacement parts, and other information, refer to Owner's Manual or visit our Web site.

Questions on Installation? Call: 1-800-561-3344
or Visit our Web site at: www.GEAppliances.ca

BEFORE YOU BEGIN

Read these instructions completely and carefully.

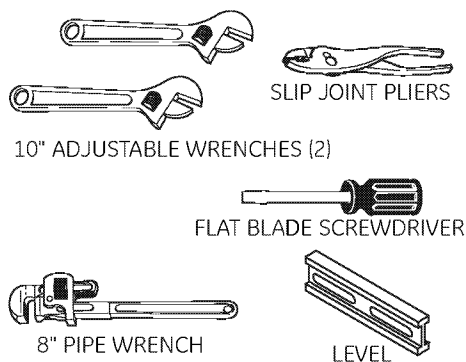
- **IMPORTANT** - Save these instructions for local inspector's use.
- **IMPORTANT** - Observe all governing codes and ordinances.
- **Note to Installer** Be sure to leave these instructions with the customer.
- **Note to Customer** Keep these instructions with your Use and Care Book for future reference.
- This dryer must be exhausted to the outdoors.
- Before the old dryer is removed from service or discarded, remove the dryer door.
- Service information and the wiring diagram are located in the control console.
- Service of this dryer must be performed by a qualified installer, service agency, or the gas supplier.
- Do not allow children on or in the appliance. Close supervision of children is necessary when the appliance is used near children.

FOR YOUR SAFETY: ⚠ WARNING

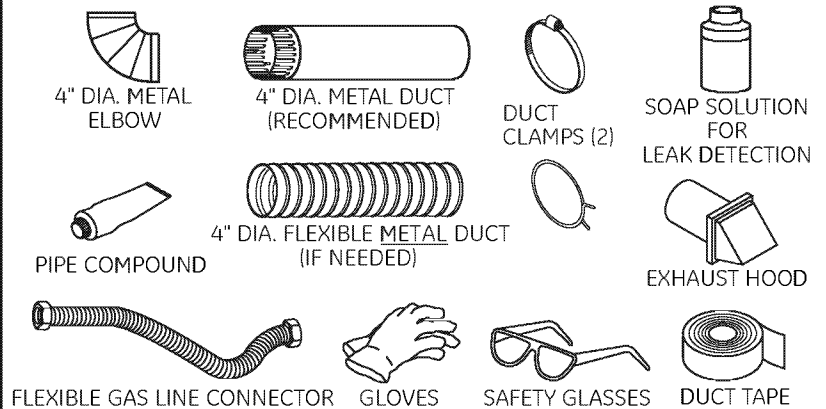
- Use only rigid metal or flexible metal 4-in. diameter ductwork for exhausting to the outdoors. Never use plastic or other combustible easy-to-puncture ductwork.
- This appliance must be properly grounded and installed as described in these instructions.
- Do not install or store appliance in an area where it will be exposed to water and/or weather.
- The National Fuel Gas Code restricts installations of gas appliances in garages. They must be 18 in. off the ground and protected by a barrier from vehicles.
- Install the dryer where the temperature is above 50°F for satisfactory operation of the dryer control system.

In the state of Massachusetts
Installation must be performed by qualified or licensed contractor, plumber, or gasfitter qualified or licensed by the state.

TOOLS YOU WILL NEED



MATERIALS YOU WILL NEED



- Step 1 Verify Your Gas Installation (see section 13).
- Step 2 Prepare the Area and Exhaust for Installation of New Dryer (see section 12).
- Step 3 Check and Insure the Existing External Exhaust is Clean (see section 12) and Meets Attached Installation Specifications.(see section 17)
- Step 4 Remove the Foam Shipping Pads (see section 12).
- Step 5 Move the Dryer to the Desired Location.
- Step 6 Level Your Dryer (see section 19).
- Step 7 Connect the Gas Supply (see section 14) and check for leaks (see section 15).
- Step 8 Connect the External Exhaust (see section 18).
- Step 9 Connect the Power Supply (see section 16).
- Step 10 Check the Operation of the Power Supply, Gas Connections, and Venting.
- Step 11 Place the Owners Manual and the Installation Instructions in a Location Where They Will Be Noticed By the Owner.

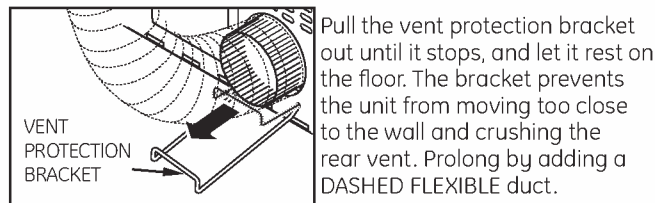
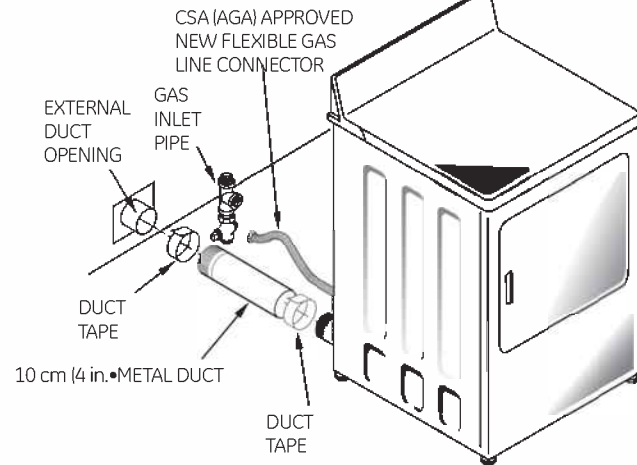
For Alcove or Closet Installation see section 20.
For Bathroom or Bedroom Installation see section 21.
For Mobile or Manufactured Home see section 22.

Gas Dryer

Minimum Clearance Other Than Alcove or Closet Installation

Minimum clearance to combustible surfaces and for air opening are: 0 cm (0 in.) clearance both sides and 2.5 cm (1 in.) rear. Consideration **must** be given to provide adequate clearance for installation and service.

12 PREPARING FOR INSTALLATION OF NEW DRYER



TIP: Install your dryer before installing your washer. This will allow better access when installing dryer exhaust.

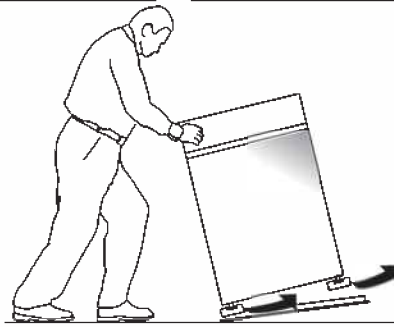
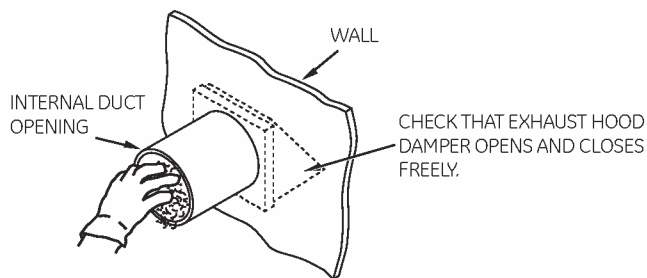
DISCONNECTING GAS



WARNING - NEVER REUSE OLD FLEXIBLE CONNECTORS.

The use of old flexible connectors can cause leaks and personal injury. Always use new flexible connectors when installing gas appliances.

REMOVING LINT FROM WALL EXHAUST OPENING



Tilt the dryer sideways and remove the foam shipping pads by pulling at the sides and breaking them away from the dryer legs. Be sure to remove all of the foam pieces around the legs.

13 GAS REQUIREMENTS

WARNING!

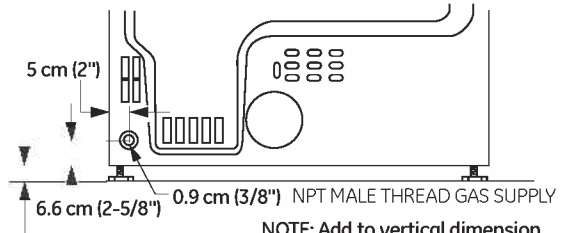
Installation must conform to local codes and ordinances, or in their absence, the **NCAN/CGA-B149**, Natural Gas, Installation.

This gas dryer is equipped with a Valve & Burner Assembly for use only with natural gas. Using conversion kit **WE14M160**, your local service organization can convert this dryer for use with propane (LP) gas. **ALL CONVERSIONS MUST BE MADE BY PROPERLY TRAINED AND QUALIFIED PERSONNEL AND IN ACCORDANCE WITH LOCAL CODES AND ORDINANCE REQUIREMENTS OF THE CAN/CGA-B149.1 AND B149.2 INSTALLATION CODE.**

The dryer must be disconnected from the gas supply piping system during any pressure testing of that system at a test pressure in excess of 0.5 PSI (3.4 KPa).

The dryer must be isolated from the gas supply piping system by closing the equipment shut-off valve during any pressure testing of the gas supply piping of test pressure equal to or less than 0.5 PSI (3.4 KPa).

DRYER GAS SUPPLY CONNECTION



GAS SUPPLY

A 0.3 cm (1/8-in.) National Pipe Taper thread plugged tapping, accessible for test gauge connection, must be installed immediately upstream of the gas supply connection to the dryer. Contact your local gas utility should you have questions on the installation of the plugged tapping.

Supply line is to be 1.2 cm (1/2-in.) rigid pipe and equipped with an accessible shut-off within 2 m (6 ft.) of, and in the same room with, the dryer.

Use pipe thread sealer compound appropriate for natural or LP gas or use Teflon tape.

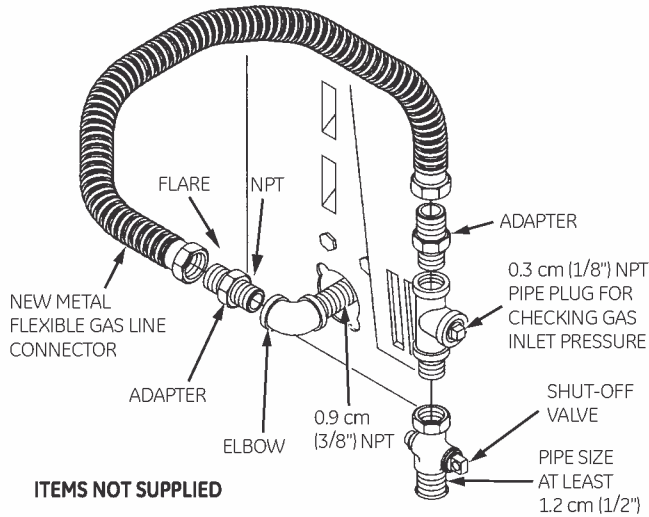
You must use with this dryer a flexible metal connector listed connector ANSI Z21.24 / CSA 6.10.

Connect flexible metal connector to dryer and gas supply. Open shut-off valve.

Gas Dryer

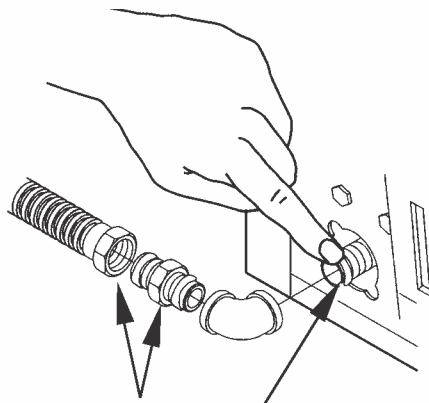
14 RECONNECTING GAS

Listed connector ANSIZ21.24 / CSA 6.10



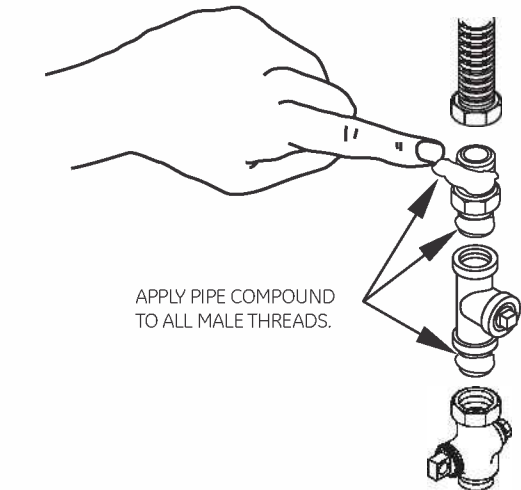
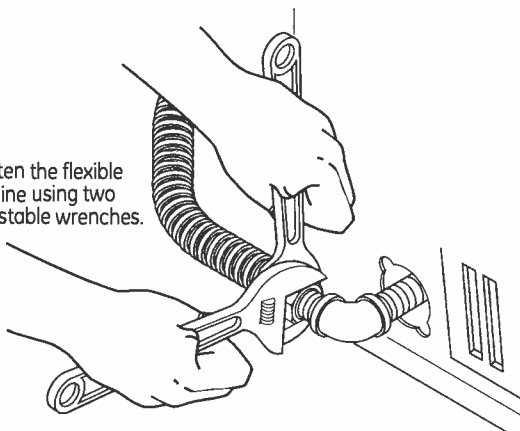
Note: The connector and fittings are designed for use only on the original installation and are not to be reused for another appliance or at another location. Keep flare end of adapter free of grease, oil and thread sealant.

Caution: Use adapters as shown. Connector nuts must not be connected directly to pipe threads.

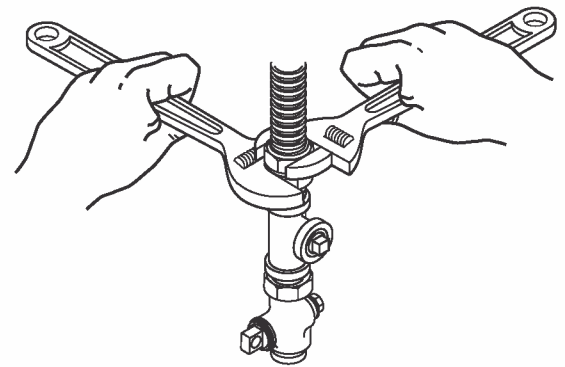


APPLY PIPE COMPOUND TO THE ADAPTER AND DRYER GAS INLET.

Tighten the flexible gas line using two adjustable wrenches.



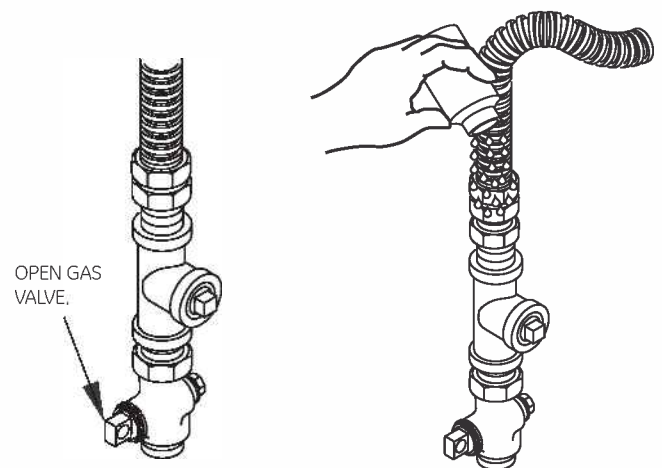
APPLY PIPE COMPOUND TO ALL MALE THREADS.



Tighten all connections using two adjustable wrenches. Do not overtorque gas connections!

15 LEAK TEST

⚠ WARNING - NEVER USE AN OPEN FLAME TO TEST FOR GAS LEAKS.



OPEN GAS VALVE.

Check all connections for leaks with soapy solution or equivalent. Apply soap solution. **Leak test solution must not contain ammonia which could cause damage to the brass fittings.** If leaks are found, close valve, retighten the joint, and repeat the soap test.

16 ELECTRICAL CONNECTION INFORMATION

⚠ WARNING - TO REDUCE THE RISK OF FIRE, ELECTRICAL SHOCK, AND PERSONAL INJURY:

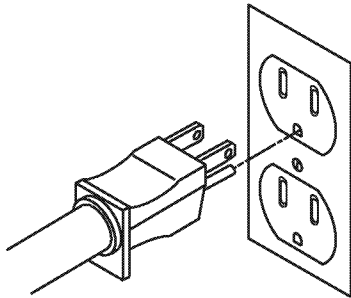
• **DO NOT USE AN EXTENSION CORD OR AN ADAPTER PLUG WITH THIS APPLIANCE.**

Dryer must be electrically grounded in accordance with local codes and ordinances, or in the absence of local codes, in accordance with the NATIONAL ELECTRICAL CODE, ANSI/NFPA NO. 70.

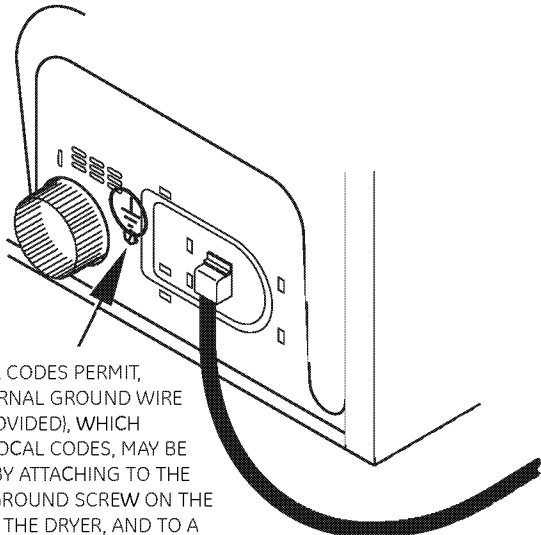
ELECTRICAL REQUIREMENTS

This appliance must be supplied with 120V, 60Hz, and connected to a properly grounded branch circuit, protected by a 15- or 20- amp circuit breaker or time-delay fuse. If electrical supply provided does not meet the above specifications, it is recommended that a licensed electrician install an approved outlet.

⚠ WARNING - THIS DRYER IS EQUIPPED WITH A THREE-PRONG (GROUNDING) PLUG FOR YOUR PROTECTION AGAINST SHOCK HAZARD AND SHOULD BE PLUGGED DIRECTLY INTO A PROPERLY GROUNDED THREE-PRONG RECEPTACLE. DO NOT CUT OR REMOVE THE GROUNDING PRONG FROM THIS PLUG.



ENSURE PROPER GROUND EXISTS BEFORE USE.



IF LOCAL CODES PERMIT, AN EXTERNAL GROUND WIRE (NOT PROVIDED), WHICH MEETS LOCAL CODES, MAY BE ADDED BY ATTACHING TO THE GREEN GROUND SCREW ON THE REAR OF THE DRYER, AND TO A GROUNDED METAL COLD WATER PIPE OR OTHER ESTABLISHED GROUND.

17 EXHAUST INFORMATION

⚠ WARNING - USE ONLY METAL 4-IN. DUCT. DO NOT USE DUCT LONGER THAN SPECIFIED IN THE EXHAUST LENGTH TABLE.

Using exhaust longer than specified length will:

- Increase the drying times and the energy cost.
- Reduce the dryer life.
- Accumulate lint, creating a potential fire hazard.

The correct exhaust installation is YOUR RESPONSIBILITY. Problems due to incorrect installation are not covered by the warranty.

The MAXIMUM ALLOWABLE length of the exhaust system depends upon the type of duct, number of turns, the type of exhaust hood (wall cap), and all conditions noted below. Both rigid and flexible metal duct are shown in the table below.

EXHAUST LENGTH

	RECOMMENDED MAXIMUM LENGTH			
	Exhaust Hood Types			
	Recommended		Use only for short run installations	
No. of 90° Elbows	Rigid Metal	Flexible Metal	Rigid Metal	Flexible Metal
0	90 Feet	55 Feet	60 Feet	45 Feet
1	60 Feet	40 Feet	45 Feet	30 Feet
2	45 Feet	30 Feet	35 Feet	20 Feet
3	35 Feet	20 Feet	25 Feet	15 Feet

If using flexible metal duct, please refer to page 17.

EXHAUST SYSTEM CHECK LIST

HOOD OR WALL CAP

- Terminate in a manner to prevent back drafts or entry of birds or other wildlife.
- Termination should present minimal resistance to the exhaust air flow and should require little or no maintenance to prevent clogging.
- **Never** install a screen in or over the exhaust duct. This could cause lint build up.
- Wall caps must be installed at least 12 in. above ground level or any other obstruction with the opening pointed down.
- If roof vents or louvered plenums are used, they must be equivalent to a 4-in. dampened wall cap in regard to resistance to air flow, prevention of back drafts, and maintenance required to prevent clogging.

SEPARATION OF TURNS

For best performance, separate all turns by at least 4 ft. of straight duct, including distance between last turn and dampened wall cap.

TURNS OTHER THAN 90°

- One turn of 45° or less may be ignored.
- Two 45° turns should be treated as one 90° turn.
- Each turn over 45° should be treated as one 90° turn.

SEALING OF JOINTS

- All joints should be tight to avoid leaks. The male end of each section of duct must point away from the dryer.
- Do not assemble the ductwork with fasteners that extend into the duct. They will serve as a collection point for lint.
- Duct joints should be made air and moisture-tight by wrapping the overlapped joints with duct tape.
- Horizontal runs should slope down toward the outdoors 1/2 inch per foot.

INSULATION

Duct work that runs through an unheated area or is near air conditioning should be insulated to reduce condensation and lint build-up.

18 EXHAUST CONNECTION

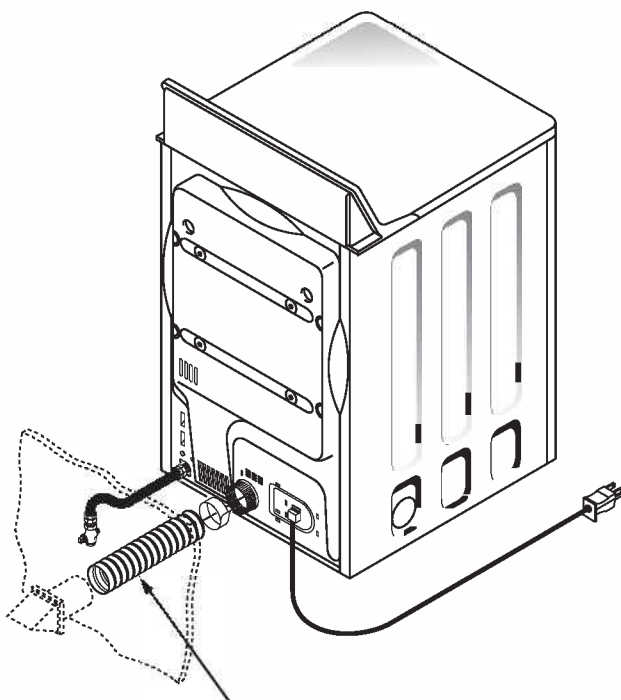
⚠ WARNING - TO REDUCE THE RISK OF FIRE OR PERSONAL INJURY:

- This dryer must be exhausted to the outdoors.
- Use only metal duct.
- Do not terminate exhaust in a chimney, any gas vent, under an enclosed floor (crawl space), or into an attic. The accumulated lint could create a fire hazard.
- Provide an access for inspection and cleaning of the exhaust system, especially at turns. Inspect and clean at least once a year.
- Never terminate the exhaust into a common duct with a kitchen exhaust. A combination of lint and grease could create a fire hazard.
- Do not obstruct incoming or exhausted air.

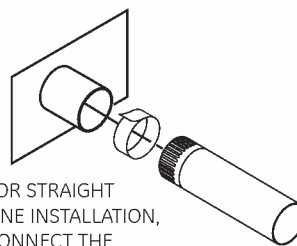
WE RECOMMEND THAT YOU INSTALL YOUR DRYER BEFORE YOUR WASHER. THIS WILL PERMIT DIRECT ACCESS FOR EASIER EXHAUST CONNECTION.

THIS DRYER COMES READY FOR REAR EXHAUSTING. IF SPACE IS LIMITED, USE THE INSTRUCTIONS IN SECTION 23 TO EXHAUST DIRECTLY FROM THE LEFT SIDE OR BOTTOM OF THE CABINET.

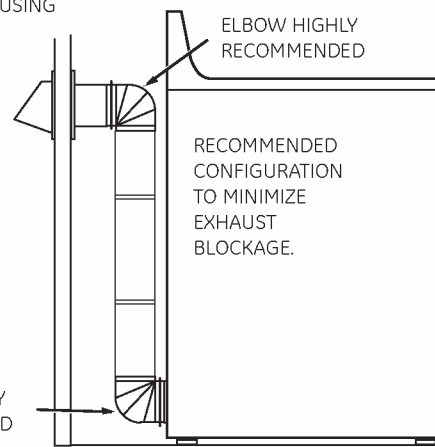
STANDARD REAR EXHAUST



WE STRONGLY RECOMMEND THE USE OF RIGID METAL EXHAUST DUCT. IF USING FLEXIBLE METAL DUCT, CUT IT TO THE PROPER LENGTH AND AVOID BUNCHING OF THE DUCT BEHIND THE DRYER.



FOR STRAIGHT LINE INSTALLATION, CONNECT THE DRYER EXHAUST TO THE WALL USING DUCT TAPE.

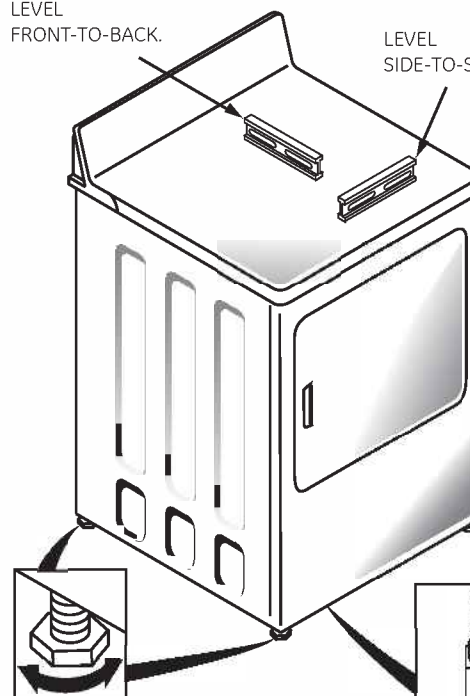


NOTE: ELBOWS WILL PREVENT DUCT KINKING AND COLLAPSING.

19 LEVELING DRYER

LEVEL FRONT-TO-BACK.

LEVEL SIDE-TO-SIDE.



4 LEVELING LEGS

2 ANTI-TIP LEGS

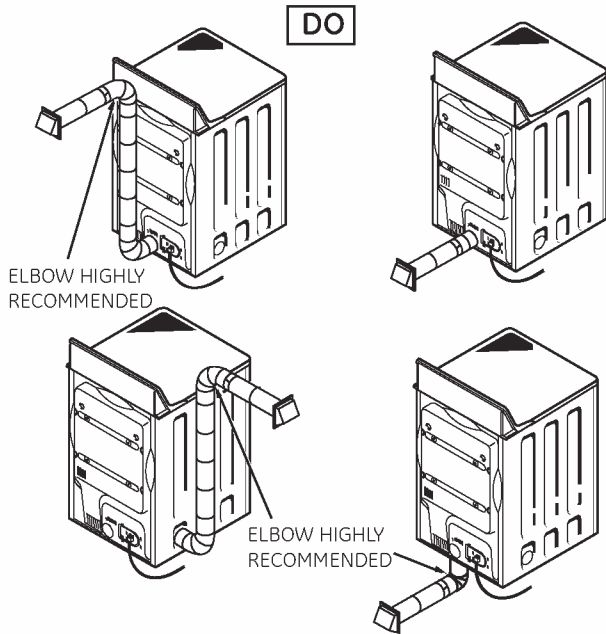
STAND THE DRYER UPRIGHT NEAR THE FINAL LOCATION AND ADJUST THE 4 LEVELING LEGS TO MATCH THE HEIGHT OF YOUR WASHER. ADJUST THE 2 ANTI-TIP LEGS TO CONTACT THE FLOOR.

USING FLEXIBLE METAL DUCTS

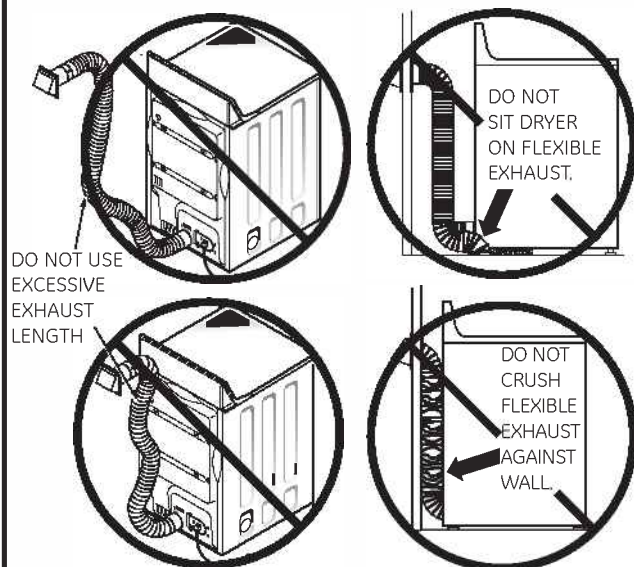
If rigid all-metal duct cannot be used, then flexible all-metal ducting can be used, but it will reduce the maximum recommended duct length. In special installations when it is impossible to make connection with the above recommendations, then UL-listed clothes dryer transition duct may be used as transition venting between the dryer and wall connection only. The use of this ducting will affect dry time.

If flexible transition duct is necessary, the following directions must be followed.

- Use the Shortest Length Possible.
- Stretch the Duct to Its Maximum Length.
- Do Not Crush or Collapse the Duct.
- Never Use Transition Duct Inside the Wall or Inside the Dryer.
- Avoid Resting the Duct on Sharp Objects.
- Venting Must Conform to Local Building Codes.



DONT



20 ALCOVE OR CLOSET INSTALLATION

If your dryer is approved for installation in an alcove or closet, it will be stated on a label on the dryer back. The dryer **MUST** be vented to the outdoors. See the EXHAUST INFORMATION sections.

Minimum clearance between dryer cabinet and adjacent walls or other surfaces is:

0 in. either side

3 in. front and rear

Minimum vertical space from floor to over cabinet, ceiling, etc. is 52 in.

Closet doors must be louvered or otherwise ventilated and must contain a minimum of 60 sq. in. of open area equally distributed. If the closet contains both a washer and a dryer, doors must contain a minimum of 120 sq. in. of open area equally distributed.

Close doors should be vented to outdoors to prevent gas pocketing in case of a gas leak in the supply line.

Do not install other burnin appliances in the same closet with the dryer.

21 BATHROOM OR BEDROOM INSTALLATION

The dryer **MUST** be vented to the outdoors. See EXHAUST INFORMATION section 17.

The installation must conform with local codes or, in the absence of local codes, with the NATIONAL FUEL GAS CODE, ANSI Z223.

22 MOBILE OR MANUFACTURED HOME INSTALLATION

Installation must conform to the MANUFACTURED HOME CONSTRUCTION & SAFETY STANDARD, TITLE 24, PART 32-80 or, when such standard is not applicable, with AMERICAN NATIONAL STANDARD FOR MOBILE HOME, NO. 501B.

The dryer **MUST** be vented to the outdoors with the termination securely fastened to the mobile home structure. (See EXHAUST INFORMATION section 17.)

The vent **MUST NOT** be terminated beneath a mobile or manufactured home.

The vent duct material **MUST BE METAL**.

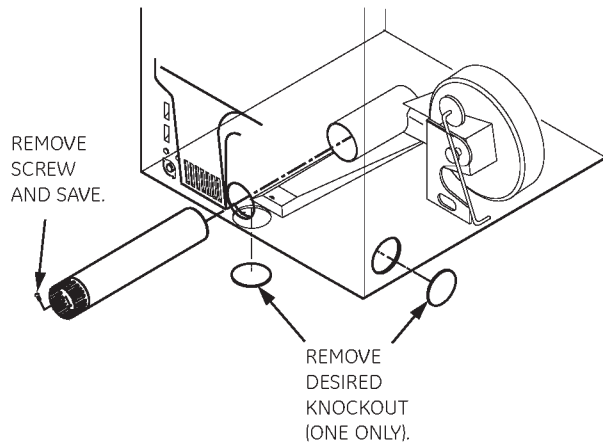
KIT 14-D3A6-33 **MUST** be used to attach the dryer securely to the structure.

The vent **MUST NOT** be connected to any other duct, vent, or chimney.

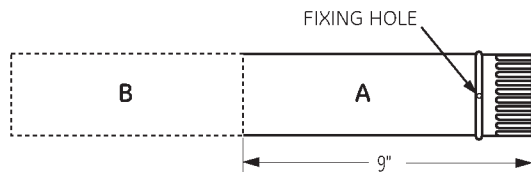
Do not use sheet metal screws or other refastening devices which extend into the interior of the exhaust vent. Provide an opening with a r area of at least 25 sq. in. for introduction of outside air into the dryer room.

23 DRYER EXHAUST TO LEFT OR BOTTOM CABINET

⚠ WARNING - PROTECT YOUR HANDS AND ARMS FROM SHARP EDGES WHEN WORKING INSIDE THE CABINET.

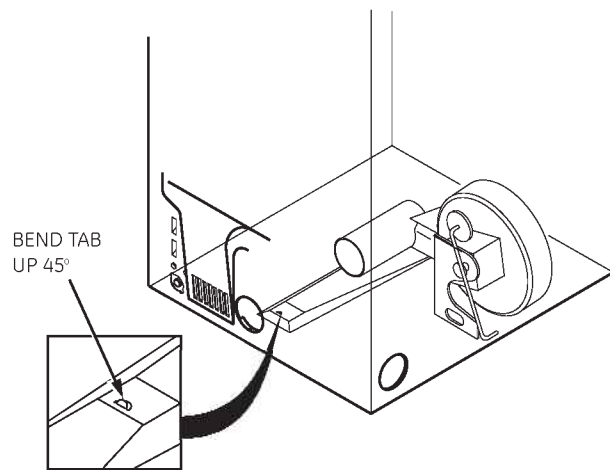


Detach and remove the bottom or left side knockout as desired. Remove the screw inside the dryer exhaust duct and save. Pull the duct out of the dryer. Protect sharp edges around the knockout and exhaust opening with tape.



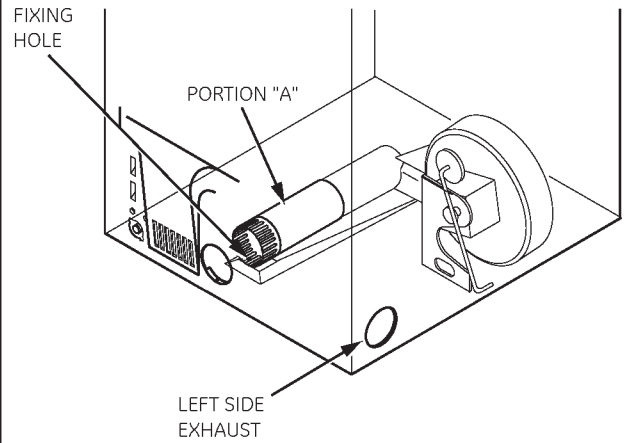
Cut the duct as shown and keep portion A.

TAB LOCATION



Through the rear opening, locate the tab in the middle of the appliance base. Lift the tab to about 45° using a flat blade screwdriver.

ADDING NEW DUCT

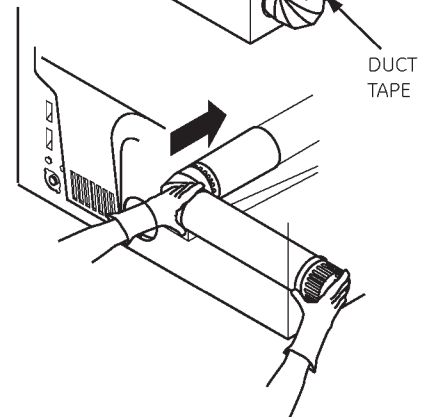
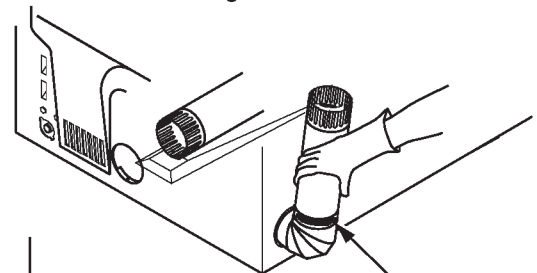


Reconnect the cut portion (A) of the duct to the blower housing. Make sure that the fixing hole is aligned with the tab in the base. Use the screw saved previously to secure the duct in place through the tab on the appliance base.

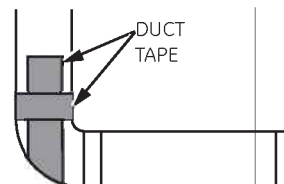
ADDING ELBOW AND DUCT FOR EXHAUST TO SIDE OF CABINET

- Preassemble 4" elbow with 4" duct. Wrap duct tape around joint.
- Insert duct assembly, elbow first, through the side opening and connect the elbow to the dryer internal duct.

CAUTION: Be sure not to pull or damage the electrical wires inside the dryer when inserting the duct.



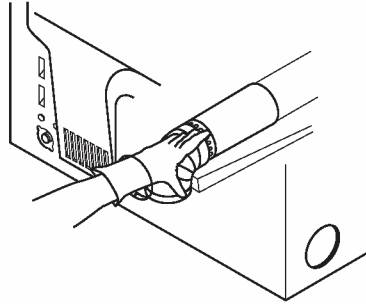
- Apply duct tape as shown on the joint between the dryer internal duct and the elbow.



CAUTION: Internal duct joints must be secured with tape, otherwise they may separate and cause a safety hazard.

ADDING ELBOW FOR EXHAUST THROUGH BOTTOM OF CABINET

- Insert the elbow through the rear opening and connect it to the dryer internal duct.
- Apply duct tape on the joint between the dryer internal duct and elbow, as shown on page 18.



CAUTION: Internal duct joints must be secured with tape, otherwise they may separate and cause a safety hazard.

ADDING COVER PLATE TO REAR OF CABINET

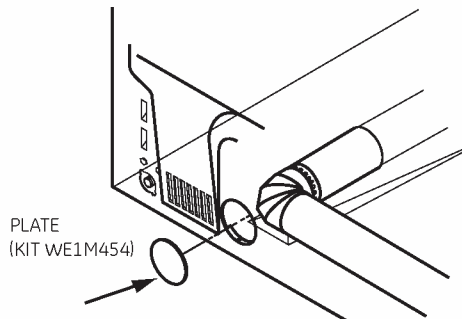


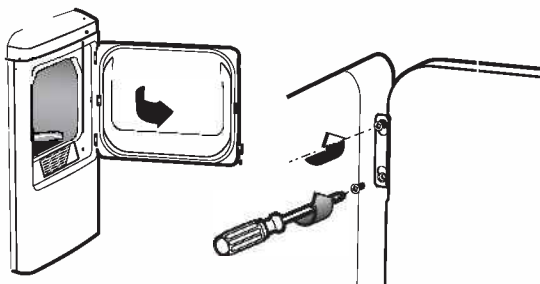
PLATE
(KIT WE1M454)

Connect standard metal elbows and ducts to complete the exhaust system. Cover back opening with a plate (Kit WE1M454) available from your local service provider. Place dryer in final location.

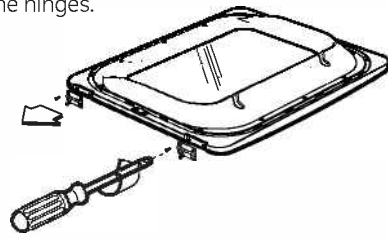
⚠ WARNING - NEVER LEAVE THE BACK OPENING WITHOUT THE PLATE. (Kit WE1M454)

24 CHANGING DIRECTION OF DOOR OPENING

- 1. Before you start** Unplug the dryer from the electric power.
- 2. Remove the door** Open the door approximately 90°, remove the filler plugs on the opposite side of the dryer front, remove the screws on the bottom part of the two hinges. Insert these screws in the **TOP** screw holes of each hinge location on the other side of the dryer front. Loosen the top screw of both hinges. Remove the door by lifting it **UP** and **OUT**. Remove the two remaining screws and set them aside.

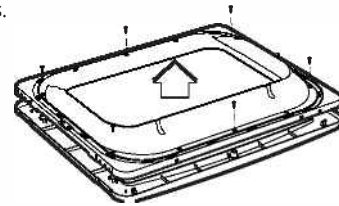


- 3. Invert the direction of the door panel** With the door lying on a safe, plain, protected surface, remove the four screws from the hinges.

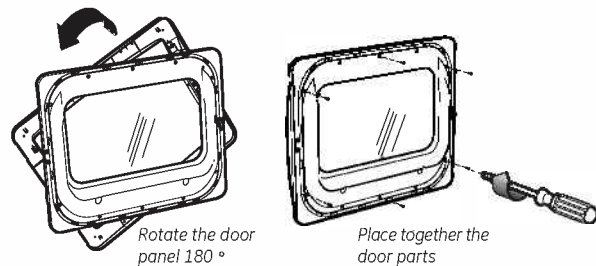


Separate the door frame from the inside of the door, unscrewing the 6 screws.

IMPORTANT:
Remove only the 6 screws as shown:



Rotate the door panel 180° and reinsert the inside of the door in the door panel.

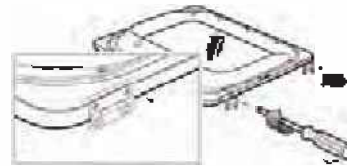


Rotate the door panel 180°

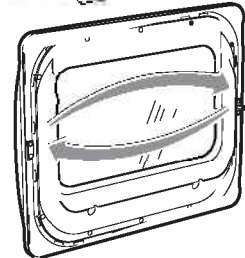
Place together the door parts

Secure the hinges on the opposite side of the door handle, using the same four screws on the hinge from step 3. Screw the other two on the handle side.

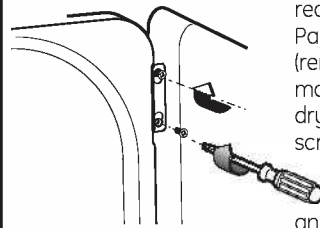
IMPORTANT: Check the position of the hinge as shown below:



- 4. Change the direction of the door strikes** Unscrew the 2 plates - the cover plate and the strike plate (the strike plate has a metal part protruding) - and reinstall one in the place of the other.



- 5. Reinstall the door** The door is ready to be installed on the dryer. Partially fasten one of the screws (removed in step 2) into the uppermost hole on the opposite side of the dryer front. Insert the keyhole at the screw - partially screwed. Tighten the remaining 3 screws (those who remained aside in step 2) and completely fasten the top screw.



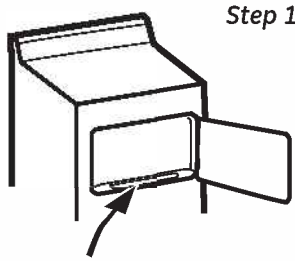
25 SERVICING

⚠ WARNING - LABEL ALL WIRES PRIOR TO DISCONNECTION WHEN SERVICING CONTROLS. WIRING ERRORS CAN CAUSE IMPROPER AND DANGEROUS OPERATION AFTER SERVICING/INSTALLATION.

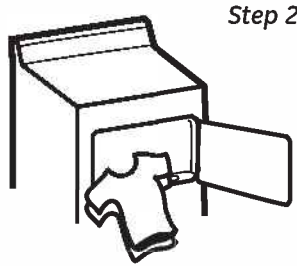
For replacement parts and other information, refer to Owner's Manual for servicing phone numbers.

About the control panel

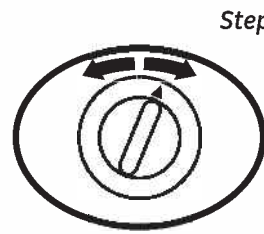
Safety Instructions



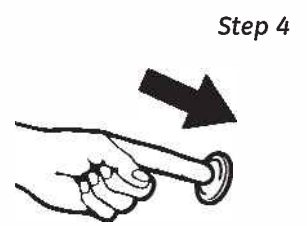
• Clean lint filter



• Add clothes



• Select Dry Cycle



• Shut door
• Push START

Installation Instructions

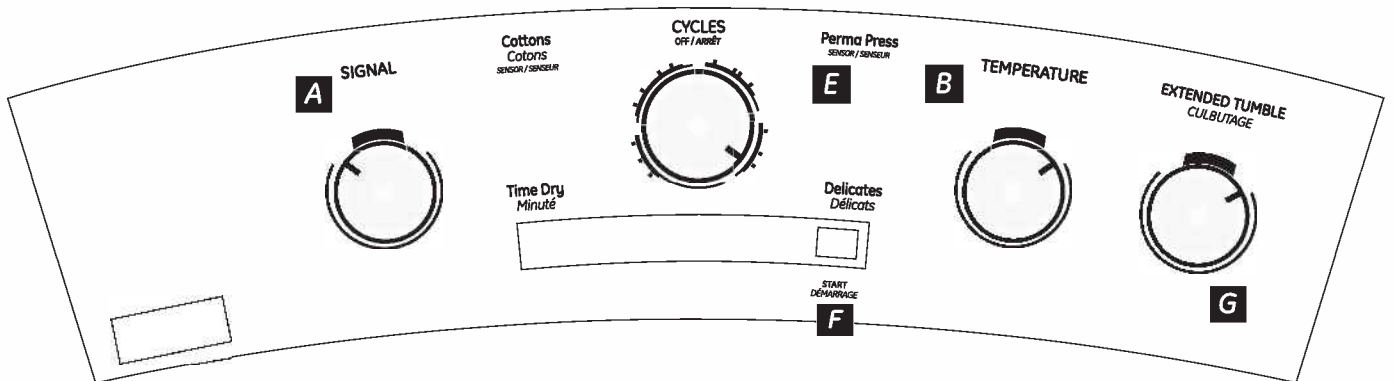
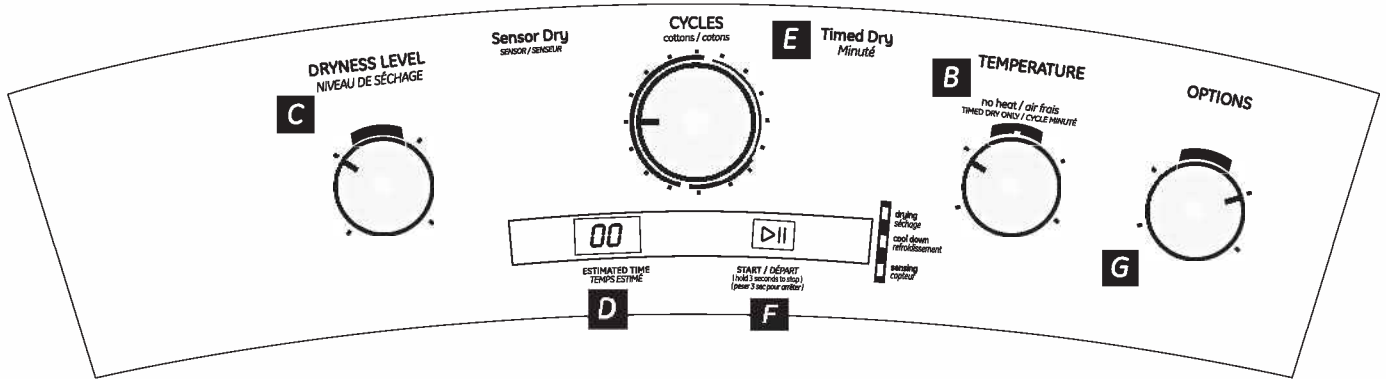
Operating Instructions

Troubleshooting Tips

Consumer Support

Quick Start Guide

NOTE: When making a selection with any knob, simply point the knob anywhere within the shaded range for that setting.



About the control settings.

A End of Cycle Signal (on some models)

This signal will sound just before the end of the cycle to remind you to remove the clothes.

If you select the **EXTENDED TUMBLE** option, the signal will sound at the end of the drying time and will sound several times during the **EXTENDED TUMBLE** cycle. This will remind you that it is time to remove the clothes.

NOTE:

- Remove garments promptly at the sound of signal. Place clothes on hangers so wrinkles won't set in.
- Use the **END OF CYCLE SIGNAL** especially when drying fabrics like polyester knits and permanent press. These fabrics should be removed so wrinkles won't set in.

Extended Tumble (on some models)

Use this option to minimize the wrinkles in clothes. It provides approximately 1 hour of no-heat tumbling after the clothes are dry.

If you are using **CYCLE SIGNAL** and you select the **EXTENDED TUMBLE** option, a signal will sound at the end of the drying time and several times during the **EXTENDED TUMBLE** cycle. This will remind you that it is time to remove the clothes.

B Temperature (some models may not have all temperature settings listed)

HIGH	For regular to heavy cottons.
MEDIUM	For synthetics, blends, delicates and items labeled <i>permanent press</i> .
LOW	For delicates, synthetics and items labeled <i>tumble dry low</i> .
EXTRA LOW	For delicates, synthetics and items labeled <i>tumble dry low</i> .
NO HEAT	For <i>fluffing</i> items without heat. For use only with the TIMED DRY cycles.

C Dryness—Selection only used for **SENSOR** cycles. Timed Cycles run for the selected time at the selected temperatures.

MORE DRY	Use for heavy-duty fabrics.
DRY	Use for a normal dryness level suitable for most loads. This is the preferred cycle for energy savings.
LESS DRY	Use for lighter fabrics.
DAMP	For leaving items partially damp.

D Estimated Time Remaining Display (on some models)

- Displays the **approximate** time remaining until the end of the cycle.
- If the estimated time remaining is 100 minutes or more, "1H" will flash in the display, followed by the additional remaining minutes. When the time remaining is less than 100 minutes, the timer will count down.

About the control settings

Safety Instructions

Installation Instructions

Operating Instructions

Troubleshooting Tips

Consumer Support

E **Drying Cycles** — Sensor cycles automatically determine fabric dryness. Timed cycles run for the selected time. Certain cycles are not available on some models.

COTTONS	For cottons and most linens.
PERMA PRESS	For wrinkle-free, permanent press and delicate items, and knits.
DELICATES	For delicate items, special-care fabrics and knits.
MIXED LOAD	For loads consisting of cottons and poly-blends.
TIMED DRY	Set the Cycle Selector at the desired drying time.
DAMP DRY	For leaving items partially damp.
DEWRINKLE	For removing wrinkles from items that are clean and dry or that are very lightly damp.
QUICK FLUFF	For freshening or fluffing up already dry clothing, fabric, linens and pillows. Use with NO HEAT . Provides 10 minutes of no-heat tumbling.
DRYEL	Designed for use with DRYEL® “dry-clean only” fabric care system. See product package for directions. For questions or issues related to the use and performance of DRYEL, call 1.800.214.8913, or visit the DRYEL Website at www.dryel.com .
ANTI-BACTERIAL	This option reduces certain types of bacteria by 99.9%, including: <i>Staphylococcus aureus</i> , <i>Pseudomonas aeruginosa</i> and <i>Klebsiella pneumoniae</i> *. The anti-bacterial process occurs when high heat is used during a portion of the drying cycle. NOTE: Do not use this cycle on delicate fabrics. *The Anti-Bacterial Cycle is Certified by NSF International (formerly National Sanitation Foundation) to NSF Protocol P154 Sanitization Performance of Residential Clothes Dryers.
KNITS	For knits with fabric care labels that say “Machine Dry”.
TOWELS	For most towels and linens.

F **START**—Close the dryer door. Press **START**. Opening the door during operation will stop the dryer. To restart the dryer, close the door and press **START** to complete the cycle. If the dryer is running, press once to pause the cycle; press again to continue the cycle. If the dryer is paused for more than 24 hours, the cycle will be cancelled. To stop the cycle, hold the button for 3 seconds.

NOTE: Drying times will vary according to the type of heat used (Electric, Natural or LP gas), size of load, types of fabrics, wetness of clothes and condition of exhaust ducts.

About the dryer features.

G *Extended Tumble (on some models, available only on listed cycles)*

Use this option to minimize the wrinkles in clothes. It provides approximately 15 minutes of no-heat tumbling after the clothes are dry.

This option can only be used with the **COTTONS**, **PERMA PRESS** and **DELICATES** cycles. If you are using **CYCLE SIGNAL** and you select the **EXTENDED TUMBLE** option, a signal will sound at the end of the drying time and several times during the **EXTENDED TUMBLE** cycle. This will remind you that it is time to remove the clothes.

If **EXTENDED TUMBLE** is not **ON**, the dryer will stop once the timer reaches the **EXTENDED TUMBLE** mark on the cycle dial.

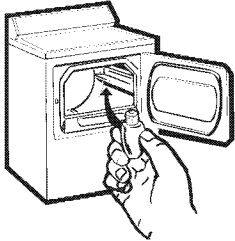
About the dryer features.

Sensor Dry (on some models)

This feature is only activated in the **COTTONS**, **PERMA PRESS**, **DELICATES**, **MIXED LOAD**, **KNITS** and **TOWELS** cycles (when cycle is available on model).

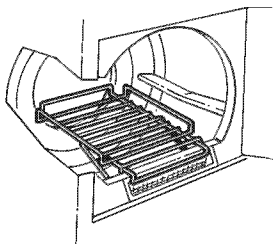
The **SENSOR DRY** provides greater drying accuracy than standard machines, resulting in shorter dry times and better clothes care. As the clothes tumble, they touch a moisture sensor. The sensor will stop the heating cycle as soon as the clothes have reached the selected dryness.

This dryer will adjust the initial estimated drying time of the sensor dry cycles as it "learns" its installation and usage profile. Please allow several weeks for the dryer to customize itself to "you".



Drum Lamp

Before replacing the light bulb, be sure to unplug the dryer power cord or disconnect the dryer at the household distribution panel by removing the fuse or switching off the circuit breaker. Reach above dryer opening from inside the drum. Remove the bulb and replace with the same size bulb.



Drying Rack (on some models)

A handy drying rack may be used for drying delicate items such as washable sweaters.

Hook the rack over the lint filter so the rack extends into the dryer drum.

NOTE:

- *The drying rack must be used with the **TIMED CYCLE**.*
- *Do not use this drying rack when there are other clothes in the dryer.*

Stainless Steel Drum (on some models)

The stainless steel used to make the dryer drum provides the highest reliability available in a GE dryer. If the dryer drum should be scratched or dented during normal

use, the drum will not rust or corrode. These surface blemishes will not affect the function or durability of the drum.

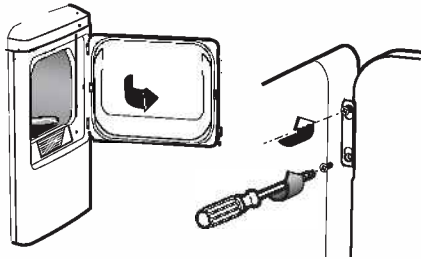
About reversing the door.

1. Before you start

Unplug the dryer from the electric power.

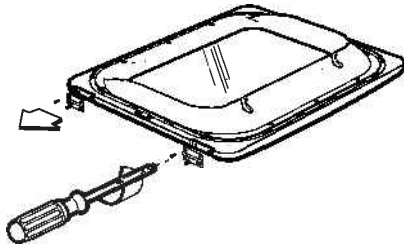
2. Remove the door

Open the door approximately 90 degrees, remove the filler plugs on the opposite side of the dryer front, remove the screws on the bottom part of the two hinges. Insert these screws in the **TOP** screw holes of each hinge location on the other side of the dryer front. Loosen the top screw of both hinges. Remove the door by lifting it **UP** and **OUT**. Remove the two remaining screws and set them aside.



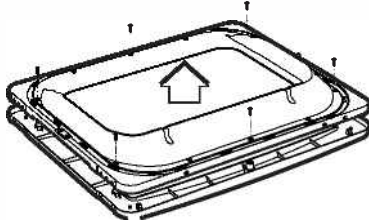
3. Invert the direction of the door panel

With the door lying on a safe, plain, protected surface, remove the four screws from the hinges.

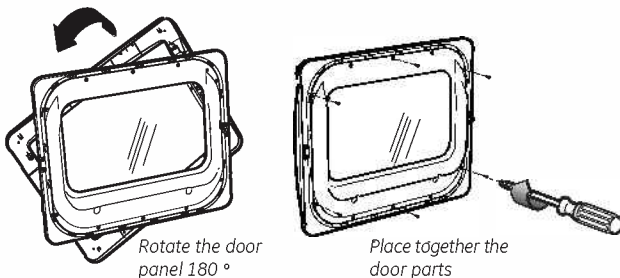


Separate the door frame from the inside of the door, unscrewing the 6 screws.

IMPORTANT: Remove only the 6 screws as shown below.

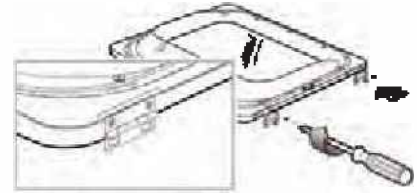


Rotate the door panel 180 degrees and reinsert the inside of the door in the door panel.



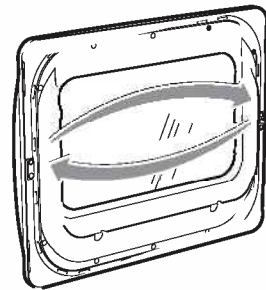
Secure the hinges on the opposite side of the door handle, using the same four screws on the hinge from step 3. Screw the other two on the handle side.

IMPORTANT: Check the position of the hinge as shown below:



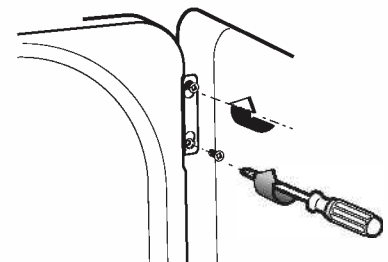
4. Change the direction of the door strikes

Unscrew the two plates - the cover plate and the strike plate (the strike plate has a metal part protruding) - and reinstall one in the place of the other.



5. Reinstall the door

The door is ready to be installed on the dryer. Partially fasten one of the screws (removed in step 2) into the uppermost hole on the opposite side of the dryer front. Insert the keyhole at the screw - partially screwed. Tighten the remaining 3 screws (those who remained aside in step 2) and completely fasten the top screw.



About loading and using the dryer.

Always follow the fabric manufacturer's care label when laundering.



Sorting and Loading Hints

As a general rule, if clothes are sorted properly for the washer, they are sorted properly for the dryer.

Do not add fabric softener sheets once the load has become warm. They may cause fabric softener stains. Bounce® Fabric Conditioner Dryer Sheets have been approved for use in all GE Dryers when used in accordance with the manufacturer's instructions.

Do not overload. This wastes energy and causes wrinkling.

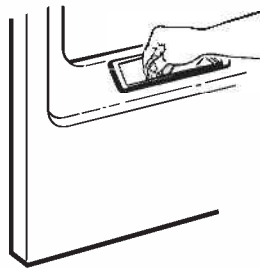
Do not dry the following items: fiberglass items, woolens, rubber-coated items, plastics, items with plastic trim and foam-filled items.



Care and Cleaning of the Dryer

The Exterior: Wipe or dust any spills or washing compounds with a damp cloth. Dryer control panel and finishes may be damaged by some laundry pretreatment soil and stain remover products. Apply these products away from the dryer. The fabric may then be washed and dried normally. Damage to your dryer caused by these products is not covered by your warranty.

The Lint Filter: Clean the lint filter before each use. Moisten your fingers and reach into the filter opening. Run your fingers across the filter. Have a qualified technician vacuum the lint from the dryer once a year.



Stainless Steel: To clean stainless steel surfaces, use a damp cloth with a mild, non-abrasive cleaner suitable for stainless steel surfaces. Remove the cleaner residue, and then dry with a clean cloth.

The Exhaust Duct: Inspect and clean the exhaust ducting at least once a year to prevent clogging. A partially clogged exhaust can lengthen the drying time.

Follow these steps:

- 1 Turn off electrical supply by disconnecting the plug from the wall socket.
- 2 Disconnect the duct from the dryer.
- 3 Vacuum the duct with the hose attachment and reconnect the duct.

The Exhaust Hood: Check from the outside that the flaps of the hood move freely when operating. Make sure that there is not wildlife (birds, insects, etc.) nesting inside the duct or hood.



Fabric Care Labels

Below are fabric care label "symbols" that affect the clothing you will be laundering.

WASH LABELS

Machine wash cycle						
Water temperature						
	Hot (150°C/120°F)		Warm (140°C/105°F)		Cold/cool (130°C/85°F)	

BLEACH LABELS

Bleach symbol			
	Any Bleach (when needed)	Only non-chlorine bleach (when needed)	Do not bleach

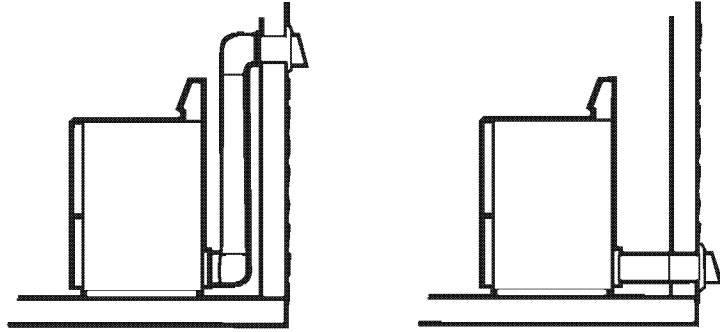
DRY LABELS

Tumble dry						
Heat setting						
Special instructions						
	Line dry/hang to dry	Drip dry	Dry flat	In the shade		

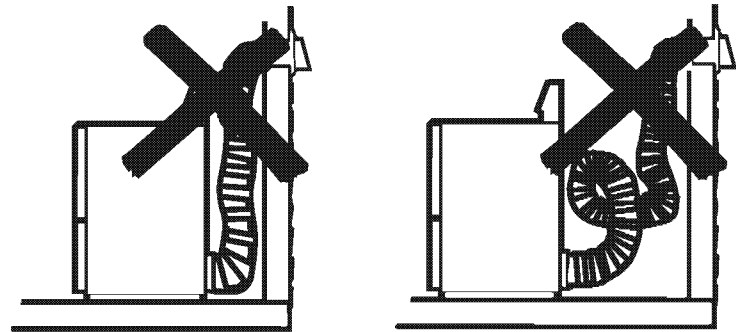
For the best drying performance, the dryer needs to be properly vented. **The dryer will use more energy and run longer if it is not vented to the below specifications. Carefully follow the details on Exhausting in the Installation Instructions.**

- Use only rigid metal 4" diameter ductwork inside the dryer cabinet. Use only rigid metal or UL listed flexible metal 4" diameter ductwork for exhausting to the outside.
- Do not use plastic or other combustible ductwork.
- Use the shortest length possible.
- Do not crush or collapse.
- Avoid resting the duct on sharp objects.
- **Venting must conform to local building codes.**

Correct Venting



Incorrect Venting



Before you call for service...



Troubleshooting Tips
 Save time and money! Review the charts on the following pages,
 or visit GEAppliances.ca You may not need to call for service.

Problem	Possible Causes	What To Do
Dryer doesn't start	Dryer is unplugged	<ul style="list-style-type: none"> • Make sure the dryer plug is pushed completely into the outlet.
	Fuse is blown/circuit breaker is tripped	<ul style="list-style-type: none"> • Check the house fuse/circuit breaker box and replace fuse or reset breaker. NOTE: Most electric dryers use two fuses/breakers.
Dryer doesn't heat	Fuse is blown/circuit breaker is tripped; the dryer may tumble but not heat	<ul style="list-style-type: none"> • Check the house fuse/circuit breaker box and replace both fuses or reset both breakers. Your dryer may tumble if only one fuse is blown or one breaker is tripped.
	Gas service is off	<ul style="list-style-type: none"> • Make sure gas shutoff at dryer and main shutoff are fully open.
	No heat temperature selected	<ul style="list-style-type: none"> • Select another heat setting.
Dryer shakes or makes noise	Some shaking/noise is normal. Dryer may be sitting unevenly	<ul style="list-style-type: none"> • Move dryer to an even floor space, or adjust leveling legs as necessary until even.
Greasy spots on clothes	Improper use of fabric softener	<ul style="list-style-type: none"> • Follow directions on fabric softener package.
	Drying dirty items with clean ones	<ul style="list-style-type: none"> • Use your dryer to dry only clean items. Dirty items can stain clean items and the dryer.
	Clothes were not completely clean	<ul style="list-style-type: none"> • Sometimes stains which cannot be seen when the clothes are wet <i>appear</i> after drying. Use proper washing procedures before drying.
Lint on clothes	Lint filter is full	<ul style="list-style-type: none"> • Clean lint screen before each load.
	Improper sorting	<ul style="list-style-type: none"> • Sort lint producers (like chenille) from lint collectors (like corduroy).
	Static electricity can attract lint	<ul style="list-style-type: none"> • See suggestions in this section under STATIC.
	Overloading	<ul style="list-style-type: none"> • Separate large loads into smaller ones.
	Paper, tissue, etc., left in pockets	<ul style="list-style-type: none"> • Empty all pockets before laundering clothes.
Static occurs	No fabric softener was used	<ul style="list-style-type: none"> • Try a fabric softener. • Bounce® Fabric Conditioner Dryer Sheets have been approved for use in all GE Dryers when used in accordance with the manufacturer's instructions.
	Overdrying	<ul style="list-style-type: none"> • Try a fabric softener. • Adjust setting to LESS DRY or DAMP DRY.
	Synthetics, permanent press and blends can cause static	<ul style="list-style-type: none"> • Try a fabric softener.
Inconsistent drying times	Type of heat	<ul style="list-style-type: none"> • Automatic drying times will vary according to the type of heat used (electric, natural or LP gas), size of load, types of fabrics, wetness of clothes and condition of exhaust ducts.

Safety Instructions

Installation Instructions

Operating Instructions

Troubleshooting Tips

Consumer Support



Safety Instructions

Installation Instructions

Operating Instructions

Troubleshooting Tips

Consumer Support

<i>Problem</i>	<i>Possible Causes</i>	<i>What To Do</i>
<i>Clothes take too long to dry</i>	Improper sorting	<ul style="list-style-type: none"> Separate heavy items from lightweight items (generally, a well-sorted washer load is a well-sorted dryer load).
	Large loads of heavy fabrics (like beach towels)	<ul style="list-style-type: none"> Large, heavy fabrics contain more moisture and take longer to dry. Separate large, heavy fabrics into smaller loads to speed drying time.
	Controls improperly set	<ul style="list-style-type: none"> Match control settings to the load you are drying.
	Lint filter is full	<ul style="list-style-type: none"> Clean lint filter before every load.
	Improper or obstructed ducting	<ul style="list-style-type: none"> Check installation instructions for proper ducting/venting. Make sure ducting is clean, free of kinks and unobstructed. Check to see if outside wall damper operates easily. Check the Installation Instructions to make sure the dryer venting is correct.
	Blown fuses or tripped circuit breaker	<ul style="list-style-type: none"> Replace fuses or reset circuit breakers. Since most dryers use 2 fuses/breakers, make sure both are operating.
<i>Clothes are wrinkled</i>	Overloading/combining loads	<ul style="list-style-type: none"> Do not put more than one washer load in the dryer at a time.
	Underloading	<ul style="list-style-type: none"> If you are drying only one or two items, add a few items to ensure proper tumbling.
	Overdrying	<ul style="list-style-type: none"> Select a shorter drying time. Remove items while they still hold a slight amount of moisture. Select a LESS DRY or DAMP DRY setting.
<i>Clothes shrink</i>	Letting items sit in dryer after cycle ends	<ul style="list-style-type: none"> Remove items when cycle ends and fold or hang immediately.
	Overloading	<ul style="list-style-type: none"> Separate large loads into smaller ones.
<i>Clothes shrink</i>	Some fabrics will naturally shrink when washed. Others can be safely washed, but will shrink in the dryer	<ul style="list-style-type: none"> To avoid shrinkage, follow garment care labels exactly. Some items may be pressed back into shape after drying. If you are concerned about shrinkage in a particular item, do not machine wash or tumble dry it

GE Dryer Warranty.

GEAppliances.ca



All warranty support provided by our authorized service depot.
To schedule service, call **1.800.561.3344**

Please have serial number and model number available when calling for service.

Staple your receipt here.
Proof of the original purchase date is needed to obtain support under the warranty.

For The Period Of: GE Will Replace:

One Year

From the date of the original purchase

Any part of the dryer which fails due to a defect in materials or workmanship. During this **limited one-year warranty**, GE will also provide, **free of charge**, all labor and related service costs to replace the defective part.

Second Year

From the date of the original purchase

Any part of the dryer which fails due to a defect in materials or workmanship. During this **additional one-year limited warranty**, you will be responsible for any labor or related service costs.

Third through Fifth Year

From the date of the original purchase

The dryer drum if any of these parts should fail due to a defect in materials or workmanship. During this **additional three-year limited warranty**, you will be responsible for any labor or related service costs.

What GE Will Not Cover:

- Service trips to your home to teach you how to use the product.
- Improper installation, delivery or maintenance.
- Failure of the product if it is abused, misused, or used for other than the intended purpose or used commercially.
- Replacement of the light bulb.
- Replacement of house fuses or resetting of circuit breakers.
- Damage to the product caused by accident, fire, floods or acts of God.
- Incidental or consequential damage caused by possible defects with this appliance.
- Damage caused after delivery.
- Product not accessible to provide required service.

EXCLUSION OF IMPLIED WARRANTIES—Your sole and exclusive remedy is product repair as provided in this Limited Warranty. Any implied warranties, including the implied warranties of merchantability or fitness for a particular purpose, are limited to one year or the shortest period allowed by law.

This warranty is extended to the original purchaser and any succeeding owner for products purchased in Canada for home use within Canada. In-home warranty service will be provided in areas where it is available and deemed reasonable by Mabe to provide.

Some states or provinces do not allow the exclusion or limitation of incidental or consequential damages, so the above exclusion may not apply to you. This warranty gives you specific legal rights, and you may also have other rights which vary from province to province. To know what your legal rights are in your province, consult your local or provincial consumer affairs office.

Warrantor: Mabe Canada Inc.,
Burlington, Ontario

Safety Instructions

Installation Instructions

Operating Instructions

Troubleshooting Tips

Consumer Support

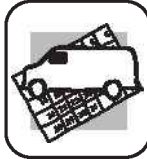
Consumer Support.



GE Appliances Website

www.geappliances.ca

Have a question or need assistance with your appliance? Visit our Website, www.geappliances.ca, 24 hours a day, any day of the year!

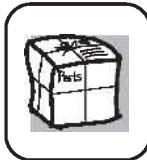


Schedule Service

1.800.561.3344

GE repair service is close to you.

To arrange service for your GE appliance, all you have to do is call.

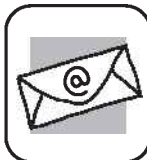


Parts and Accessories

Individuals qualified to service their own appliances can have parts or accessories sent directly to their homes (VISA, MasterCard and Discover cards are accepted).

Instructions contained in this manual cover procedures to be performed by any user. Other servicing generally should be referred to qualified service personnel. Caution must be exercised, since improper servicing may cause unsafe operation.

You will find the nearest Mabe Service Center number in the yellow pages of your phone book. Or, call us at 1.800.661.1616.



Contact Us

If you are not satisfied with the service you have received:

First of all, communicate with the people who repaired your appliance.

Then, if you are still not satisfied, send all information including telephone number to:

Director, Consumer Relations, Mabe Canada Inc.
Suite 310, 1 Factory Lane
Moncton, N.B. E1C 9M3



Register Your Appliance

www.geappliances.ca

Register your new appliance on-line—at your convenience! Timely product registration will allow for enhanced communication and prompt service under the terms of your warranty, should the need arise. You may also mail in the pre-printed registration card included in the packing material.



Profile Sécheuses

Consignes de sécurité 2-4

Directives d'installation

Sécheuse électrique 5-11

Sécheuse à gaz 12-19

Mode d'emploi

Tableaux de commande 20

Réglages des commandes 21-22

Caractéristiques de la sécheuse 23

Chargement et utilisation
de la sécheuse 24

Inversion de la porte 25

Évacuation de la sécheuse 26

Dépannage 27, 28

Service à la clientèle

Service à la clientèle 29

Garantie 30

*Inscrivez ici les numéros de modèle
et de série :*

N° de modèle # _____

N° de série # _____

Vous trouverez ces numéros sur une étiquette
située à l'avant de la sécheuse, derrière la porte.

CONSIGNES DE SÉCURITÉ IMPORTANTES.

LISEZ TOUTES LES INSTRUCTIONS AVANT D'UTILISER L'APPAREIL.

⚠ AVERTISSEMENT!

Pour votre sécurité et pour réduire les risques d'incendie, d'explosion, de choc électrique, de dommages matériels, de blessures ou même d'accident mortel, vous devez vous conformer aux instructions contenues dans ce manuel.

- Ne rangez pas et n'utilisez pas d'essence ou d'autres vapeurs et liquides inflammables à proximité de cet appareil ou de tout autre appareil électroménager.
- L'installation ainsi que toute réparation doivent être effectuées par un installateur ou une entreprise de service qualifiés, ou le fournisseur de gaz.

QUE FAIRE SI VOUS DÉTECTEZ UNE ODEUR DE GAZ :

- 1 N'allumez pas une allumette, une cigarette ou l'alimentation en gaz d'un appareil ou tout appareil électrique.
- 2 Ne touchez à aucun commutateur électrique; n'utilisez aucun téléphone de votre domicile.
- 3 Évacuez tout le monde de la pièce, de l'édifice ou de la zone.
- 4 Appelez immédiatement votre fournisseur de gaz depuis le téléphone d'un voisin. Suivez attentivement les instructions de votre fournisseur de gaz.
- 5 Si vous ne pouvez joindre votre fournisseur de gaz, appelez les pompiers.



INSTALLATION APPROPRIÉE

Avant d'être utilisée, cette sècheuse doit être installée conformément aux instructions d'installation. Si vous n'avez pas reçu la feuille d'instructions d'installation, vous pouvez l'obtenir sur le site Web www.electromenagersge.ca ou en appelant le 1 800 561-3344.

- Mettez la sècheuse à la terre conformément aux codes et règlements en vigueur. Suivez les instructions détaillées de la section **Instructions d'installation**.
 - Installez ou entreposez l'appareil à un endroit où il ne sera exposé ni à des températures en dessous du point de congélation ni aux intempéries.
 - Raccordez à un circuit d'alimentation correctement calibré, protégé et dimensionné pour éviter les surcharges.
 - Retirez toutes les parties coupantes de l'emballage et jetez le matériel d'emballage.
- Exhaust/Ducting:
- 1 Toutes les sècheuses **DOIVENT** disposer d'une évacuation vers l'extérieur.
 - 2 Utilisez uniquement un conduit métallique rigide de 10,16 cm (4 po) à l'intérieur de l'espace de la sècheuse et un adaptateur de conduit métallique rigide de 10,16 cm (4 po) ou homologué cUL entre la sècheuse et le conduit domestique. **L'UTILISATION D'UN CONDUIT EN PLASTIQUE OU EN UN AUTRE MATÉRIEL COMBUSTIBLE PEUT CAUSER UN INCENDIE. LE CONDUIT PERFORÉ PEUT CAUSER UN INCENDIE S'IL S'EFFONDRE OU SE BOUCHE AU COURS DE L'UTILISATION OU DE L'INSTALLATION.** Pour des renseignements complets, reportez-vous aux Instructions d'installation.



AUTOUR DE VOTRE SÈCHEUSE

- Ne laissez pas s'accumuler autour et au-dessous de vos électroménagers des matériaux combustibles (de la charpie, du papier, des chiffons, etc.), et n'utilisez pas d'essence, de produits chimiques ou autres liquides ou vapeurs inflammables.
- Gardez tous les produits pour la lessive (comme les détersifs, les javellisants, etc.) hors de portée des enfants, de préférence dans une armoire fermée à clé. Suivez toutes les mises en garde sur les étiquettes des produits pour éviter des blessures.
- Gardez le sol propre et sec à proximité de vos électroménagers afin de ne pas glisser.
- Ne montez jamais sur le dessus de la sècheuse.
- Il faut exercer une étroite surveillance lorsque vous faites fonctionner cet appareil en présence d'enfants. Ne les laissez pas jouer sur le dessus, autour ou à l'intérieur de cet appareil ou de tout autre électroménager.

⚠ AVERTISSEMENT!



LORSQUE VOUS UTILISEZ VOTRE SÈCHEUSE

- Ne vous penchez jamais dans la sècheuse pendant que le tambour tourne. Avant de charger ou de décharger la sècheuse ou d'y ajouter des vêtements, attendez que le tambour soit complètement arrêté.
- La lessive peut atténuer les propriétés ignifugeantes des tissus. Pour éviter cette situation, suivez à la lettre les directives données par le fabricant du vêtement.
- Avant chaque séchage, nettoyez le filtre à charpie afin de prévenir l'accumulation de charpie à l'intérieur de la sècheuse ou dans la pièce. **NE FAITES PAS FONCTIONNER LA SÈCHEUSE SANS LE FILTRE À CHARPIE.**
- Ne faites pas sécher des articles contenant du caoutchouc, du plastique, de la mousse ou autres matériaux similaires (comme des soutiens-gorge préformés, des chaussures de tennis, des caoutchoucs, des tapis de bain, des carpettes, des bavoirs, des culottes de bébé, des sacs de plastique, des oreillers, etc.), car ces matériaux peuvent fondre ou brûler. De plus, dans certaines circonstances, certains matériaux de caoutchouc peuvent causer un incendie par combustion spontanée lorsqu'ils sont chauffés.
- Ne lavez pas ou ne faites pas sécher des articles qui ont été lavés avec des produits combustibles ou explosifs, ou qui ont été trempés dans ces produits ou qui y sont tachés (cire, huile, peinture, essence, dégraissants, solvants pour le nettoyage à sec, kérosène, etc.), car ils risquent de s'enflammer ou d'exploser. Ne versez pas ces substances dans l'eau de la laveuse. N'utilisez pas ces substances à proximité de votre laveuse ou de votre sècheuse pendant qu'elles fonctionnent.
- Ne rangez pas dans votre sècheuse des articles qui ont été en contact avec des huiles de cuisson; ceux-ci peuvent provoquer une réaction chimique susceptible de faire s'enflammer vos vêtements.
- Ne rangez pas dans votre sècheuse des articles qui ont été en contact avec des huiles de cuisson; ceux-ci peuvent provoquer une réaction chimique susceptible de faire s'enflammer vos vêtements.
- Il ne faut pas mettre dans la sècheuse, ou à proximité de celle-ci, tout article ayant été utilisé avec un solvant dégraissant ou contenant une substance inflammable (comme des chiffons de nettoyage, des vadrouilles, des serviettes utilisées dans les salons de beauté, les restaurants ou les salons de coiffure, etc.). On utilise à la maison de nombreux produits inflammable : acétone, alcool dénaturé, essence, kérosène, nettoyants ménagers, détachants, térébentine, cire, décapants et produits contenant du distillant de pétrole.
- Ne rangez pas des articles qui peuvent fondre ou brûler, comme du plastique, du papier ou des vêtements, sur le dessus de la sècheuse pendant qu'elle fonctionne.
- Les vêtements portant la mention «Faire sécher loin de la chaleur» ou «Ne pas faire sécher par culbutage» (comme les gilets de sauvetage contenant du Kapok) ne doivent pas être séchés dans votre sècheuse.
- Ne faites pas sécher d'articles en fibre de verre dans votre sècheuse. Les particules qui restent dans la sècheuse et qui pourraient être recueillies par les vêtements lors d'un séchage subséquent risquent de causer des irritations cutanées.
- Pour réduire les risques de chocs électriques, débranchez toujours l'appareil ou coupez l'alimentation électrique de la sècheuse au panneau de distribution de la résidence en enlevant le fusible ou en déclenchant le disjoncteur avant de réparer ou nettoyer l'appareil (sauf pour enlever et nettoyer le filtre à charpie).
- **REMARQUE** : Le fait de placer le sélecteur de programme à la position «Arrêt» (OFF) ou d'appuyer sur le bouton PAUSE ne coupe PAS l'alimentation électrique de l'appareil.

MESURES DE SÉCURITÉ IMPORTANTES. VEUILLEZ LIRE TOUTES LES DIRECTIVES AVANT D'UTILISER L'APPAREIL.

AVERTISSEMENT!



LORSQUE VOUS UTILISEZ VOTRE SÈCHEUSE (suite)

- Ne faites pas fonctionner l'appareil s'il est endommagé, défectueux, partiellement démonté, ou si des pièces sont manquantes ou défectueuses, ou si le cordon d'alimentation ou la fiche sont endommagés.
- L'intérieur de l'appareil et le raccord du conduit d'évacuation à l'intérieur de la sècheuse doivent être nettoyés une fois par an par une personne qualifiée. Reportez-vous à la section *utilisation et chargement de la sècheuse*.
- Si votre sècheuse fonctionne au gaz, elle est pourvue d'un système d'allumage électrique automatique et ne possède pas de veilleuse. **N'ESSAYEZ PAS DE L'ALLUMER AVEC UNE ALLUMETTE** Vous risquez de vous brûler si vous approchez votre main du brûleur et que le dispositif d'allumage automatique se met en marche.
- Il est possible que vous désiriez assouplir votre lessive ou réduire le collement électrostatique en utilisant un assouplissant textile dans votre sècheuse ou un produit antistatique. Nous vous recommandons d'utiliser un assouplissant liquide au cours du programme de lavage, conformément aux directives du fabricant de ce type de produit, ou de faire l'essai d'un assouplissant textile pour la sècheuse, pour lequel le fabricant certifie sur l'emballage que son produit peut être utilisé en toute sécurité dans la sècheuse. La responsabilité des problèmes de rendement ou de fonctionnement qui ne sont pas couverts par la garantie de cet appareil et qui sont attribuables à l'utilisation de ces produits relève du fabricant de ces produits.



LORSQUE LA SÈCHEUSE N'EST PAS UTILISÉE

- Lorsque vous débranchez l'appareil, tirez sur la fiche et non pas sur le cordon afin d'éviter d'endommager le cordon d'alimentation. Installez le cordon de sorte que personne ne marche ou ne trébuche dessus, ou qu'il ne soit pas exposé à des dommages.
- Avant de jeter ou d'entreposer une sècheuse, enlevez toujours la porte afin d'empêcher les enfants de se cacher à l'intérieur.
- Ne trafiquez pas les commandes de l'appareil.
- Ne réparez ou ne remplacez aucune pièce de cet appareil, à moins que cela ne soit spécifiquement recommandé dans le présent manuel ou dans des directives de réparation que vous comprenez et que vous êtes en mesure de suivre.



VEUILLEZ LIRE ET SUIVRE ATTENTIVEMENT CES MESURES DE SÉCURITÉ.

CONSERVEZ CES DIRECTIVES

Questions sur l'installation ?

Composer : 1-800-561-3344 ou visiter notre site web à : www.electromenagersge.ca

AVANT DE COMMENCER

Veuillez lire attentivement toutes les directives qui suivent.

- **IMPORTANT** - Conservez ces directives pour utilisation éventuelle par l'inspecteur local.
- **Note à l'installateur** Assurez-vous de laisser ces directives au consommateur.
- **Note au consommateur** Gardez ces directives avec votre Guide d'utilisation et d'entretien pour consultation éventuelle.
- Avant d'entreposer ou de jeter votre vieille sécheuse, retirez la porte de l'appareil.
- Le schéma de câblage et les renseignements concernant la réparation se trouvent à l'intérieur du tableau de commande.

POUR VOTRE SÉCURITÉ : ⚠️ AVERTISSEMENT

- N'utilisez qu'un conduit métallique rigide ou souple de 10 cm (4 po) de diamètre pour l'évacuation vers l'extérieur. N'utilisez jamais un conduit en plastique ou fabriqué avec tout autre matériau combustible facile à perforer.
- Cet appareil doit être adéquatement mis à la terre et installé conformément aux présentes directives.
- N'installez pas ou n'entreposez pas l'appareil à un endroit où il sera exposé à l'eau et(ou) aux intempéries.
- Installez la sécheuse dans une pièce où la température est supérieure à 10 °C (50 °F) pour assurer le bon fonctionnement des commandes de l'appareil.

REMARQUE : L'installation et la réparation de cette sécheuse exigent des connaissances de base en mécanique et en électricité.

OUTILS NÉCESSAIRES



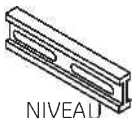
PINCE À JOINT COULISSANT



TOURNEVIS À EMBOUT PLAT



TOURNEVIS PHILLIPS



NIVEAU

COMPOSANTES NÉCESSAIRES



CONDUIT MÉTALLIQUE DE 10 CM (4 PO) DE DIA. (RECOMMANDÉ)



2 COLLIERS POUR CONDUIT DE 10 CM (4 PO) OU 2 BRIDES À RESSORT DE 10 CM (4 PO)



COUDE EN MÉTAL DE 10 CM (4 PO) DE DIA.



ÉVENT



LUNETTES DE SÉCURITÉ



CONDUIT EN MÉTAL SOUPLE DE 10 CM (4 PO), DE DIA. (SI NÉCESSAIRE)



RUBAN POUR CONDUIT



GANTS

Étape 1 Préparez l'emplacement et l'évacuation pour l'installation de la nouvelle sécheuse (voir la section 1).

Étape 2 Assurez-vous que le conduit d'évacuation externe actuellement en place est propre (voir la section 1) et qu'il répond aux exigences des directives d'installation qui suivent (voir la section 3).

Étape 3 Enlevez les coussins d'expédition en mousse (voir la section 1).

Étape 4 Amenez la sécheuse à l'endroit désiré.

Étape 5 Branchez le cordon d'alimentation (voir la section 2).

Étape 6 Raccordez le système d'évacuation vers l'extérieur (voir la section 4).

Étape 7 Mettez votre sécheuse de niveau (voir la section 5).

Étape 8 Vérifiez le bon fonctionnement de l'alimentation électrique et de l'évacuation.

Étape 9 Rangez le Guide d'utilisation et d'entretien et les Directives d'installation à un endroit où le propriétaire pourra facilement les trouver.

Pour une installation dans un placard ou une alcôve, voir la section 6.

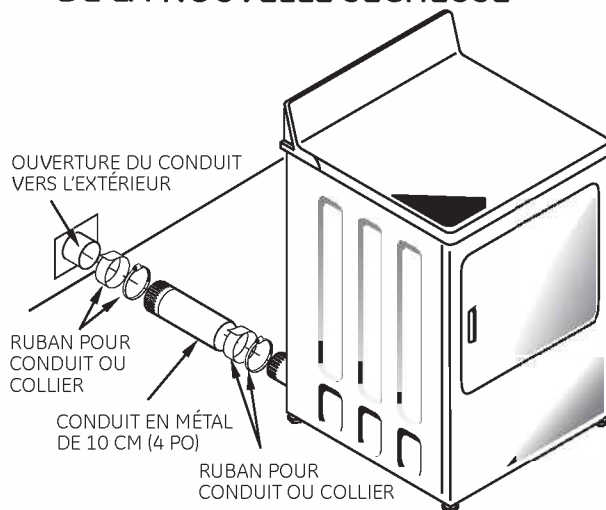
Pour une installation dans une chambre à coucher ou une salle de bain, voir la section 7.

Pour une installation dans une maison mobile ou pré-fabriquée, voir la section 8.

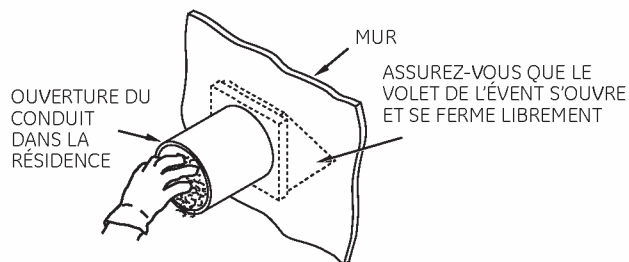
Pour l'évacuation par le côté ou le dessous, voir la section 9.

Dégagements minimums pour les installations autres que dans une alcôve ou un placard

Les dégagements minimums par rapport aux surfaces combustibles et pour l'ouverture d'aération sont les suivants : 0 cm (0 po) des deux côtés et 2,5 cm (1 po) à l'arrière. Il faut prévoir un dégagement adéquat pour l'installation et la réparation.

1 PRÉPARATION POUR L'INSTALLATION DE LA NOUVELLE SÈCHEUSE

CONSEIL : Installez votre sècheuse avant d'installer votre laveuse. Cela facilitera l'accès pour l'installation du conduit d'évacuation de la sècheuse.

ENLÈVEMENT DE LA CHARPIE DANS L'OUVERTURE DU CONDUIT D'ÉVACUATION & DES COUSSINS D'EXPÉDITION

INCLINEZ LA SÈCHEUSE D'UN CÔTÉ ET ENLEVEZ LES COUSSINS D'EXPÉDITION EN MOUSSE EN LES SAISSANT PAR LES CÔTÉS ET EN LES CASSANT. ASSUREZ-VOUS D'ENLEVER TOUTES LES PARTICULES DE MOUSSE AUTOUR DES PIEDS.

**2 RACCORDEMENT ÉLECTRIQUE**

⚠ AVERTISSEMENT - POUR RÉDUIRE LES RISQUES D'INCENDIE, DE CHOCS ÉLECTRIQUES ET DE BLESSURES :

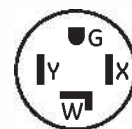
- N'UTILISEZ PAS DE RALLONGE ÉLECTRIQUE OU DE FICHE D'ADAPTATION AVEC CET APPAREIL.

La sècheuse doit être mise à la terre en conformité avec les codes et règlements locaux en vigueur. L'installation doit être conforme à la norme C22.1 de l'ACNOR, à la Partie 1 du Code canadien de l'électricité. Une connection incorrecte de l'équipement de mise à la terre peut causer un choc électrique. Vérifiez avec un électricien autorisé, ou un représentant du service en cas de doute sur la mise à la terre de votre appareil.

Ne modifiez pas la prise fournie avec l'appareil. Si cette prise n'est pas compatible avec le récepteur, veuillez vous en faire installer un par un électricien autorisé.

ALIMENTATION ÉLECTRIQUE

Cette sècheuse doit être branchée à un circuit individuel protégé par des fusibles à retardement ou des disjoncteurs. Le circuit électrique doit être de 120/240 volts ou 120/208 volts, de 60 Hz, doté d'une prise murale comme celle ci-dessous.



PRISE TYPIQUE DE 30 A POUR SÈCHEUSE

Être protégé par un disjoncteur ou des fusibles de 30A.
Être convenablement mis à la terre.

MISE À LA TERRE

Cet appareil doit être mis à la terre. Dans l'événement d'une malfunction ou bris, la mise à la terre réduirait le risque de choc électrique en fournissant une voie de faible résistance électrique pour le courant.

Cet appareil est muni d'un cordon électrique équipé d'un conducteur et prise servant à le mettre à la terre. La prise doit être connectée à un récepteur compatible, conforme aux exigences et normes locales.

3 ÉVACUATION DE L'AIR

⚠ AVERTISSEMENT – N'UTILISEZ QU'UN CONDUIT EN MÉTAL DE 10 CM (4 PO) SEULEMENT. N'UTILISEZ PAS UN CONDUIT PLUS LONG QUE CELUI INDIQUÉ DANS LE TABLEAU DE LA LONGUEUR DES CONDUITS D'ÉVACUATION.

L'utilisation d'un conduit plus long que celui recommandé :

- Augmentera la durée du séchage et les frais d'énergie.
- Réduira la durée de vie utile de la sècheuse.
- Favorisera l'accumulation de charpie, créant un risque d'incendie.

VOUS AVEZ LA RESPONSABILITÉ d'installer le conduit d'évacuation approprié. Les problèmes attribuables à une installation incorrecte ne sont pas couverts par la garantie.

La longue MAXIMALE PERMISE du conduit d'évacuation dépend du type de conduit, du nombre de coudes, du type d'évent mural employé et de toutes les conditions indiquées ci-dessous. Le tableau qui suit indique les longueurs recommandées pour les conduits en métal souple et rigide.

LONGUEUR DES CONDUITS D'ÉVACUATION

LONGUEUR MAXIMALE RECOMMANDÉE				
TYPES D'ÉVENT				
Recommandé		Utilisation pour les conduits courts seulement		
Nombre de coudes de 90°	Rigide en métal	Souple en métal	Rigide en métal	Souple en métal
0	27,4 m (90 pi)	16,8 m (55 pi)	18,3 m (60 pi)	13,7 m (45 pi)
1	18,3 m (60 pi)	12,2 m (40 pi)	13,7 m (45 pi)	9,1 m (30 pi)
2	13,7 m (45 pi)	9,1 m (30 pi)	10,7 m (35 pi)	6,1 m (20 pi)
3	10,7 m (35 pi)	6,1 m (20 pi)	7,6 m (25 pi)	4,6 m (15 pi)
4	7,6 m (25 pi)	4,6 m (15 pi)	4,6 m (15 pi)	3,0 m (10 pi)

Si vous utilisez un conduit souple en métal, reportez-vous à la page 8.

LISTE DE CONTRÔLE DU SYSTÈME D'ÉVACUATION

ÉVENT MURAL

- Installez un évent de manière à empêcher les retours d'air dans l'appareil ou l'entrée d'oiseaux ou autres animaux.
- L'évent utilisé doit offrir une résistance minimale à l'air évacué et n'exiger qu'un minimum d'entretien pour empêcher l'obstruction.
- N'installez jamais une grille à l'intérieur ou par-dessus le conduit d'évacuation, augmentant le risque de feu. La grille pourrait provoquer l'accumulation de charpie.
- L'évent mural doit être installé à au moins 30 cm (12 po) du sol ou de tout autre obstacle lorsque l'ouverture est orientée vers le bas.
- Si vous utilisez un évent de toiture ou à volets, il doit présenter des caractéristiques équivalentes à celles d'un évent mural à volet de 10 cm (4 po) en ce qui concerne la résistance à la circulation d'air, la prévention des retours d'air et l'entretien exigé pour éviter les obstructions.

LONGUEUR DE CONDUIT ENTRE LES COUDES

Pour un rendement optimum, prévoyez une longueur de conduit droit de 1,2 m (4 pi) entre chaque coude, y compris entre le dernier coude et l'évent mural.

AUTRES TYPES DE COUDES

- Ne tenez pas compte d'un coude de 45° moins.
- 2 coudes de 45° équivalent à un coude de 90°.
- Chaque coude de plus de 45° équivaut à un coude de 90°.

SCÈLEMENT DES JOINTS

- Tous les joints doivent être étanches pour éviter les fuites d'air. L'extrémité mâle de chaque section de conduit doit être orientée en sens contraire par rapport à la sècheuse.
- N'assemblez pas les sections de conduit avec des vis qui dépassent à l'intérieur du conduit. Celles-ci risquent de créer des points d'accumulation de charpie.
- Assurez l'étanchéité à l'air et à l'humidité des conduits en recouvrant les joints de ruban gommé pour conduit.
- Les longueurs horizontales de conduit doivent avoir une pente descendante vers l'extérieur, à raison de 1,2 cm (1/2 po) par 30 cm (12 po).

ISOLATION : Les conduits qui traversent une zone non chauffée ou qui se trouvent à proximité d'un conduit de climatisation doivent être isolés afin de réduire la condensation et l'accumulation de charpie.

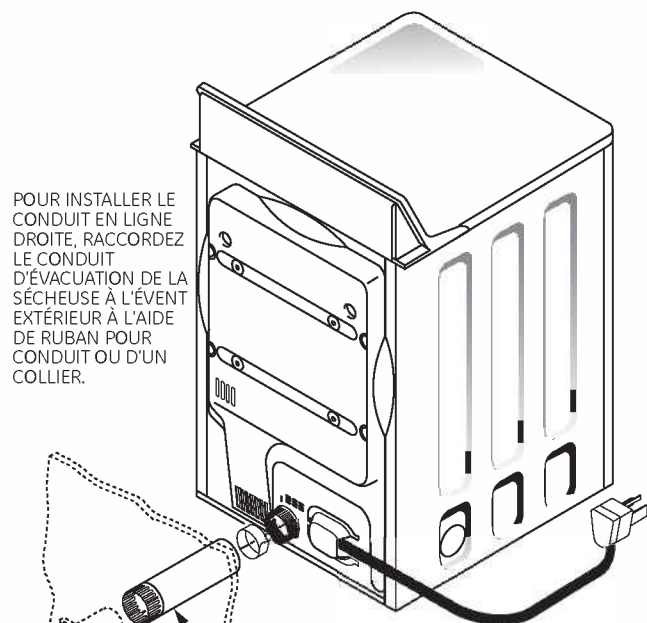
4 RACCORDEMENT DU CONDUIT D'ÉVACUATION

⚠ AVERTISSEMENT – POUR RÉDUIRE LES RISQUES D'INCENDIE OU DE BLESSURES :

- L'air de cette sècheuse doit être évacué à l'extérieur.
- N'utilisez qu'un conduit en métal seulement.
- Ne faites pas évacuer l'air de la sècheuse dans une cheminée, dans un conduit d'évacuation des gaz brûlés, sous un plancher (vide sanitaire) ou dans un grenier. L'accumulation de charpie pourrait présenter un risque d'incendie.
- Prévoyez un accès pour l'inspection et le nettoyage du système d'évacuation, plus particulièrement au niveau des coudes. Inspectez et nettoyez le système au moins une fois par année.
- Ne faites jamais évacuer l'air de la sècheuse dans le conduit d'évacuation d'une hotte de cuisine. Le mélange de charpie et de graisse pourrait présenter un risque d'incendie.
- N'entrez pas la circulation de l'air qui entre dans la sècheuse ou qui en est évacué.

CETTE SÈCHEUSE A ÉTÉ PRÉPARÉE EN VUE D'UNE ÉVACUATION PAR L'ARRIÈRE. SI L'ESPACE EST LIMITÉ, SUIVEZ LES DIRECTIVES DE LA SECTION 9 POUR EFFECTUER L'ÉVACUATION PAR L'UN DES CÔTÉS OU LE DESSOUS DE L'APPAREIL.

ÉVACUATION STANDARD PAR L'ARRIÈRE (au niveau du sol)

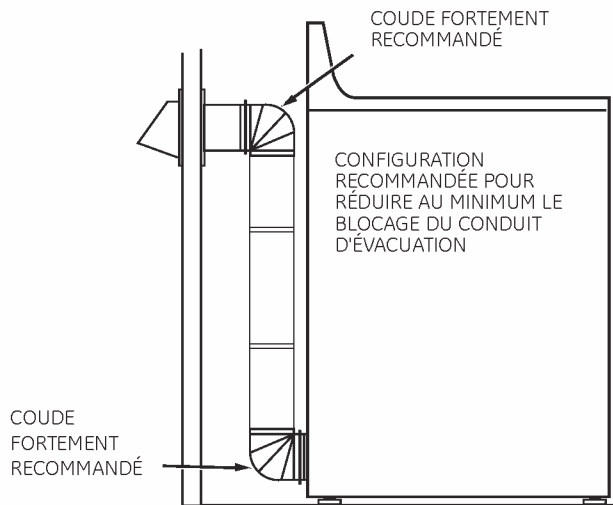


POUR INSTALLER LE CONDUIT EN LIGNE DROITE, RACCORDEZ LE CONDUIT D'ÉVACUATION DE LA SÈCHEUSE À L'ÉVENT EXTÉRIEUR À L'AIDE DE RUBAN POUR CONDUIT OU D'UN COLLIER.

COUPEZ LE CONDUIT D'ÉVACUATION EN MÉTAL (NON FOURNI) À LA LONGUEUR APPROPRIÉE

REMARQUE : NOUS VOUS RECOMMANDONS FORTEMENT D'UTILISER UN CONDUIT D'ÉVACUATION EN MÉTAL RIGIDE. CEPENDANT, SI VOUS UTILISEZ UN CONDUIT SOUPLE, CELUI-CI DOIT ÊTRE EN MÉTAL, NON EN PLASTIQUE

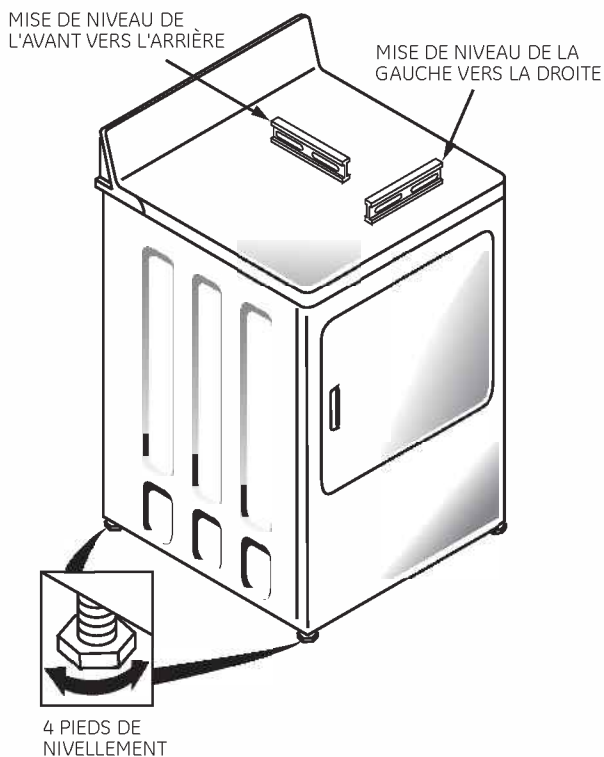
ÉVACUATION STANDARD PAR L'ARRIÈRE (au-dessus du sol)



REMARQUE : LES COUDES EMPÊCHENT L'ÉCRASEMENT ET L'AFFAISSEMENT DU CONDUIT.

5 MISE DE NIVEAU ET STABILISATION DE VOTRE SÉCHEUSE

PLACEZ LA SÉCHEUSE À PROXIMITÉ DE SON EMPLACEMENT FINAL, ET RÉGLEZ LES 4 PIEDS DE NIVELLEMENT DANS LES 4 COINS POUR VOUS ASSURER QUE LA SÉCHEUSE EST DE NIVEAU DE LA GAUCHE VERS LA DROITE, ET DE L'AVANT VERS L'ARRIÈRE.

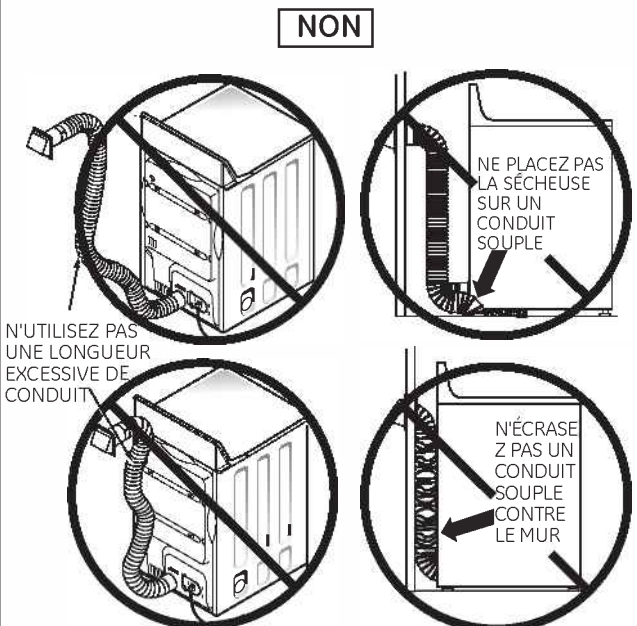
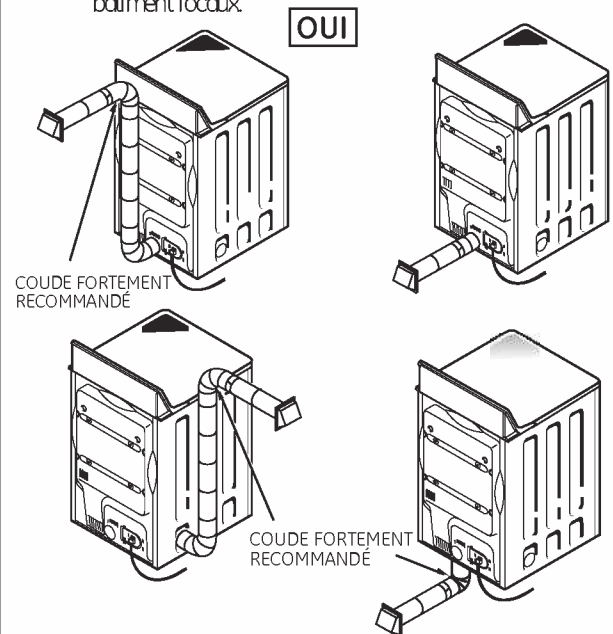


UTILISATION D'UN CONDUIT SOUPLE EN MÉTAL

Si vous ne pouvez utiliser un conduit rigide entièrement en métal, vous pouvez alors employer un conduit souple entièrement en métal, mais cela aura pour effet de diminuer la longueur maximale de conduit recommandée. Dans le cas d'installations spéciales, lorsqu'il est impossible d'utiliser un conduit entièrement en métal, vous pouvez employer un conduit de transition souple en métal homologué par l'UL pour les sècheuses entre la sècheuse et le raccord au mur seulement. L'utilisation de ce type de conduit allongera les durées de séchage.

Si vous devez utiliser un conduit de transition souple en métal, suivez les directives ci-dessous.

- Utilisez la longueur la plus courte possible.
- Étirez le conduit à sa longueur maximale afin d'éviter la formation de plis.
- Évitez d'écraser le conduit.
- N'installez jamais un conduit de transition à l'intérieur du mur ou de la sècheuse.
- Évitez de placer le conduit sur des objets tranchants.
- Le système d'évacuation doit être conforme aux codes du bâtiment locaux.



ÉVACUATION

UNE SÈCHEUSE PRODUIT DE LA CHARPIE COMBUSTIBLE. DANS TOUS LES CAS D'INSTALLATION, LA SÈCHEUSE DOIT ÊTRE RACCORDÉE À UN CONDUIT D'ÉVACUATION DONNANT SUR L'EXTÉRIEUR.

REMARQUE : L'AIR D'UNE SÈCHEUSE INSTALLÉE DANS UNE MAISON MOBILE, UNE CHAMBRE À COUCHER, UNE SALLE DE BAIN, UNE ALCÔVE OU UN PLACARD DOIT ÊTRE ÉVACUÉ À L'EXTÉRIEUR.

6 INSTALLATION DANS UNE ALCÔVE OU UN PLACARD

- Si votre sècheuse est conçue pour être installée dans une alcôve ou un placard, cela sera indiqué sur une étiquette apposée sur le panneau arrière de la sècheuse.
- L'air de la sècheuse **DOIT** être évacué à l'extérieur. Reportez-vous aux points 3 et 4 de la section **ÉVACUATION DE L'AIR**
- Les dégagements minimums entre la sècheuse et les murs adjacents ou autres surfaces sont les suivants :
 - 0 cm (0 po) de chaque côté
 - 7,6 cm (3 po) à l'avant et à l'arrière
- Le dégagement vertical minimum entre le plancher et les armoires, le plafond, etc., doit être de 109 cm (43 po) sans socle, et de 140 cm (55 po) avec socle.
- Les portes du placard doivent être pourvues de persiennes ou autre dispositif d'aération équivalant à une ouverture de 387 cm (60 po) répartie de façon égale. Si une sècheuse et une laveuse sont installées dans le placard, les portes doivent être pourvues d'un dispositif d'aération équivalant à une ouverture de 774 cm (120 po) répartie de façon égale.

7 INSTALLATION DANS UNE SALLE DE BAIN OU UNE CHAMBRE À COUCHER

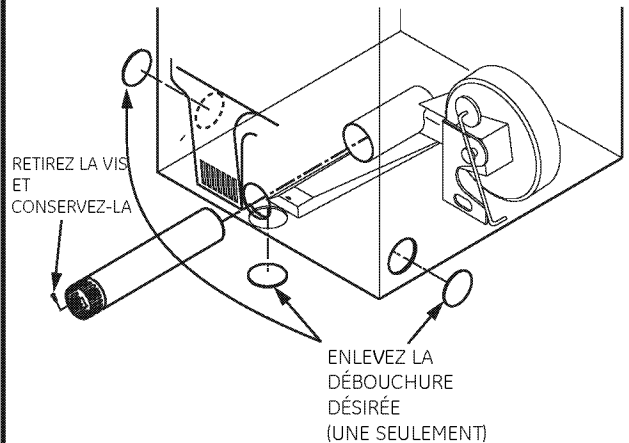
- L'air de la sècheuse **DOIT** être évacué à l'extérieur. Reportez-vous aux points 3 et 4 de la section **VACUATION DE L'AIR**.
- L'installation doit être conforme à tous les codes locaux en vigueur ou, en l'absence de codes locaux, à la norme C22.1 de l'ACNOR, à la Partie 1 du Code canadien de l'électricité.

8 INSTALLATION DANS UNE MAISON MOBILE OU PRÉ-FABRIQUÉE

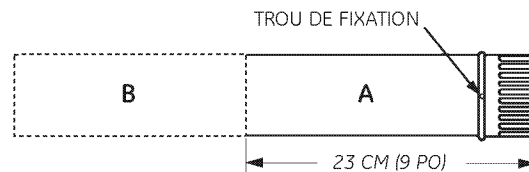
- L'installation doit être conforme aux Codes d'installation dans les maisons mobiles CAN/CSA série Z240 MH.
- L'air de la sècheuse **DOIT** être évacué à l'extérieur au moyen d'un évent solidement fixé à la structure de la maison mobile (reportez-vous aux points 3 et 4 de la section **ÉVACUATION DE L'AIR**).
- L'air de la sècheuse **NE DOIT PAS** être évacué sous une maison mobile ou pré-fabriquée.
- Le conduit de l'évent **DOIT** être fabriqué en MÉTAL.
- N'utilisez pas de vis à métaux ou autres dispositifs similaires qui pénètrent à l'intérieur du conduit d'évacuation.
- Reportez-vous à la section 2 pour effectuer le raccordement électrique.

9 ÉVACUATION PAR LE CÔTÉ GAUCHE OU DROIT OU PAR LE DESSOUS DE LA SÈCHEUSE

⚠ AVERTISSEMENT – AVANT D'EFFECTUER L'INSTALLATION DE CE SYSTÈME D'ÉVACUATION, ASSUREZ-VOUS DE COUPER L'ALIMENTATION ÉLECTRIQUE À LA SÈCHEUSE. PROTÉGEZ VOS MAINS ET VOS BRAS DES BORDS TRANCHANTS LORSQUE VOUS TRAVAILLEZ À L'INTÉRIEUR DE L'APPAREIL. PORTEZ DES GANTS.

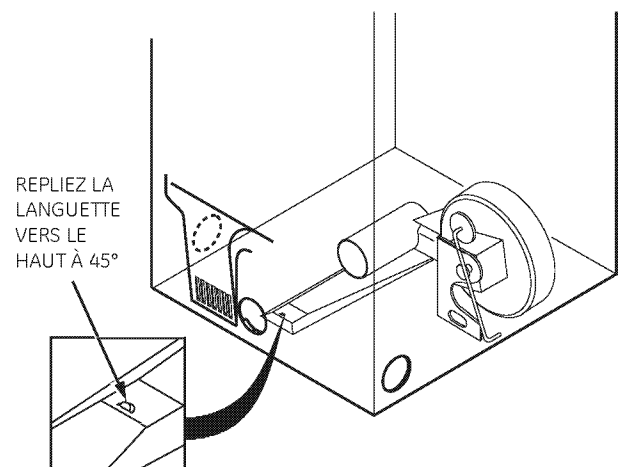


Défoncez et enlevez la débouchure inférieure, droite ou gauche. Retirez la vis à l'intérieur du conduit d'évacuation de la sècheuse et conservez-la. Tirez sur le conduit pour le sortir de la sècheuse.



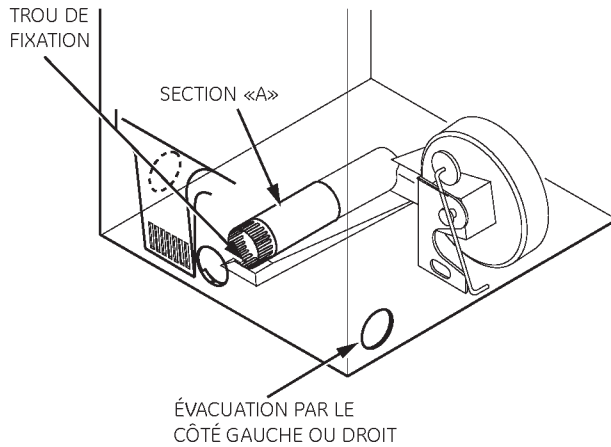
Coupez le conduit de la façon illustrée, et conservez la section A

EMPLACEMENT DE LA LANGUETTE



Par l'ouverture arrière, repérez la languette au milieu de la base de la sècheuse. Repliez la languette vers le haut à 45° environ à l'aide d'un tournevis à embout plat.

AJOUT D'UNE SECTION DE CONDUIT

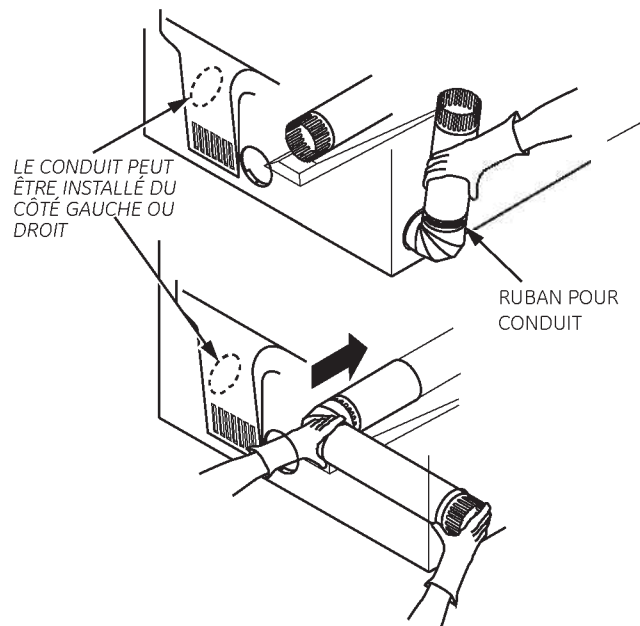


Raccordez la section coupée de conduit (A) au boîtier du ventilateur. Assurez-vous que la section de conduit est placée vis-à-vis de la languette dans la base de l'appareil. À l'aide de la vis que vous avez conservée, fixez le conduit en place en vissant la vis dans la languette de la base de la sècheuse.

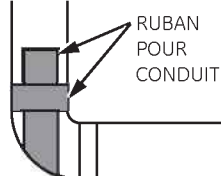
AJOUT D'UN COUDE ET D'UNE SECTION DE CONDUIT POUR L'ÉVACUATION PAR LE CÔTÉ GAUCHE OU DROIT DE LA SÈCHEUSE

- Assemblez au préalable une section de conduit de 10 cm (4 po) à un coude de 10 cm (4 po). Scellez le joint à l'aide de ruban gommé pour conduit.
- Insérez le conduit assemblé, le coude en premier, dans l'ouverture latérale et raccordez le coude au conduit interne de la sècheuse.

ATTENTION : Faites attention de ne pas tirer ou endommager les fils électriques à l'intérieur de la sècheuse lorsque vous insérez le conduit.



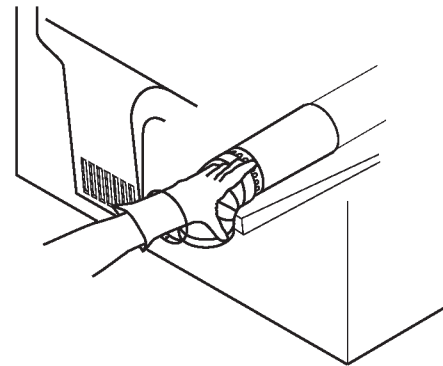
- Appliquez du ruban gommé pour conduit, comme indiqué dans l'illustration, sur le joint entre le conduit interne et le coude.



ATTENTION : Les joints du conduit interne doivent être scellés à l'aide de ruban gommé. Sinon, ils peuvent se séparer et présenter un risque pour la sécurité.

ÉVACUATION PAR LE CÔTÉ GAUCHE OU DROIT OU PAR LE DESSOUS DE LA SÈCHEUSE

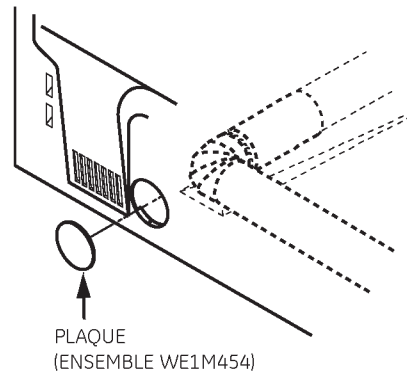
- Insérez le coude par l'ouverture à l'arrière de l'appareil, et raccordez-le au conduit interne de la sècheuse.
- Appliquez du ruban gommé pour conduit sur le joint entre le conduit interne de la sècheuse et le coude, comme illustré à la page au-dessus.



ATTENTION :

Les joints du conduit interne doivent être scellés au moyen de ruban gommé pour conduit. Sinon, ils peuvent se séparer et présenter un risque pour la sécurité.

INSTALLATION D'UNE PLAQUE D'OBTURATION À L'ARRIÈRE DE L'APPAREIL (ÉVACUATION PAR LES CÔTÉS ET LE DESSOUS)



Raccordez les coudes et les conduits en métal pour terminer le système d'évacuation. Recouvrez l'ouverture à l'arrière à l'aide d'une plaque d'obturation (ensemble WE1M454) que vous pouvez vous procurer auprès de votre réparateur. Installez la sècheuse à son emplacement final.

⚠ AVERTISSEMENT - NE LAISSEZ JAMAIS L'OUVERTURE NON RECOUVERTE À L'ARRIÈRE DE L'APPAREIL. (ENSEMBLE WE1M454)

Pour toutes questions sur l'installation,
composer :1-800-561-3344

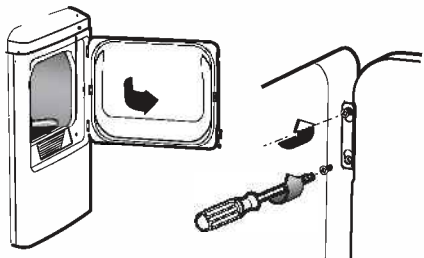
10 DIRECTIVES D'INVERSION DE LA PORTE

1. Avant de commencer

Débranchez la sècheuse du courant électrique.

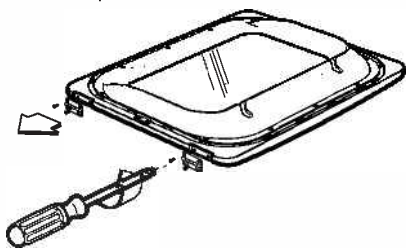
2. Enlevez la porte

Ouvrez la porte à 90 degrés et enlevez les capuchons situés du côté opposé des charnières. Revissez ces vis à moitié dans les trous supérieurs de chaque charnière, du côté opposé de la porte (aux endroits où vous avez enlevé les capuchons). Dévissez partiellement la vis supérieure de chaque charnière. Décrochez la porte en la levant vers le haut et l'extérieur. Enlevez les deux vis restantes et gardez-les à vue.



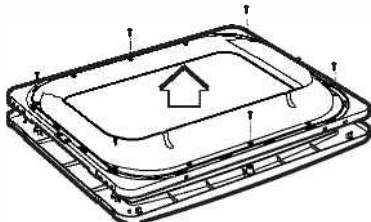
3. Inversez le panneau de la porte

Avec la porte posée sur une surface plane, propre et lisse, enlevez les quatre vis des charnières.

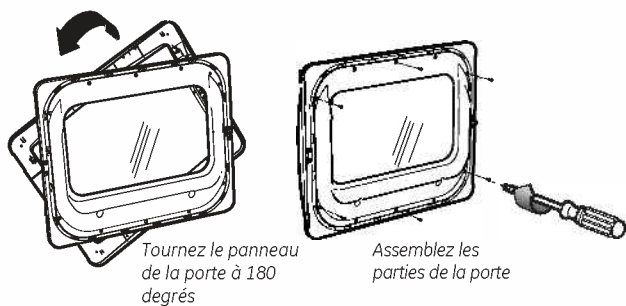


Séparez le cadre de la porte de la partie inférieure de la porte, dévissez les 6 vis #8.

IMPORTANT: Enlevez seulement les 6 vis comme il est indiqué sur le schéma cidessous

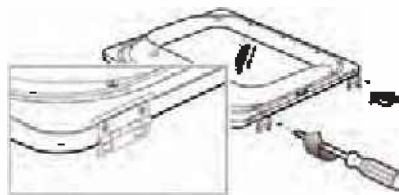


Tournez le panneau de la porte à 180 degrés et réinsérez le panneau de la porte.



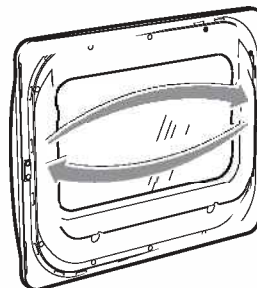
Fixez les charnières du côté opposé à la poignée de la porte, en utilisant les mêmes 4 vis de la charnière.

IMPORTANT: Faites attention à la position des charnières:



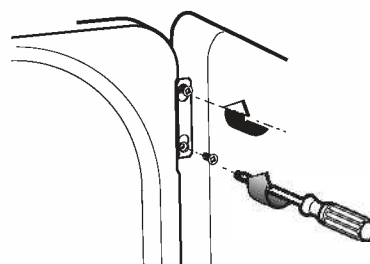
4. Inversez les plaques sur la porte

Dévissez les deux plaques – la plaque-couvercle et la plaque loquet (celle qui a une courte tige verticale) – et réinstallez l'une et l'autre du côté inverse



5. Réinstallez la porte

La porte est maintenant prête pour être installée sur la sècheuse. Insérez les trous supérieurs de chaque charnière dans les deux vis partiellement vissées. Fixez les vis inférieures (celles qui restent de l'étape 2) et vissez complètement les vis supérieures.



11 RÉPARATION

⚠ AVERTISSEMENT – IDENTIFIEZ TOUS LES FILS AVANT DE LES DÉBRANCHER POUR RÉPARER LES COMMANDES DE L'APPAREIL. UNE ERREUR DE BRANCHEMENT DES FILS PEUT PROVOQUER UN FONCTIONNEMENT INADÉQUAT ET DANGEREUX APRÈS LA RÉPARATION OU L'INSTALLATION.

Pour connaître les numéros de téléphone pour obtenir des pièces de rechange ou autres renseignements, consultez votre Guide d'utilisation et d'entretien ou visitez notre site Web.

Questions sur l'installation ?

Compose: 1-800-561-3344 ou visiter notre site web à : www.electromenagersge.ca**AVANT DE COMMENCER**

Veuillez lire attentivement toutes les directives qui suivent..

• **IMPORTANT** – Conservez ces directives pour utilisation éventuelle par l'inspecteur local.

• **IMPORTANT** – Respectez tous les codes et règlements en vigueur.

• **Note à l'installateur** – Assurez-vous de laisser ces directives au consommateur.

• **Note au consommateur** – Gardez ces directives avec votre Guide d'utilisation et d'entretien pour consultation éventuelle.

• L'air de cette sécheuse doit être évacué à l'extérieur.

• Inspectez la sortie d'évacuation de la sécheuse et redressez l'évent mural s'il est déformé.

• Avant d'entreposer ou de jeter votre vieille sécheuse, retirez la porte de l'appareil.

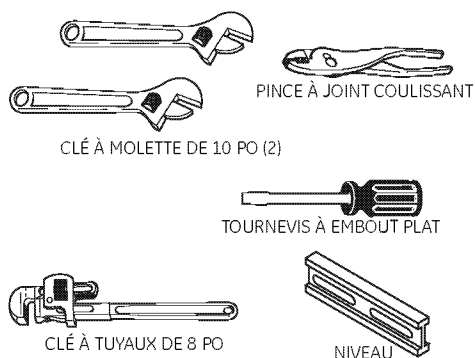
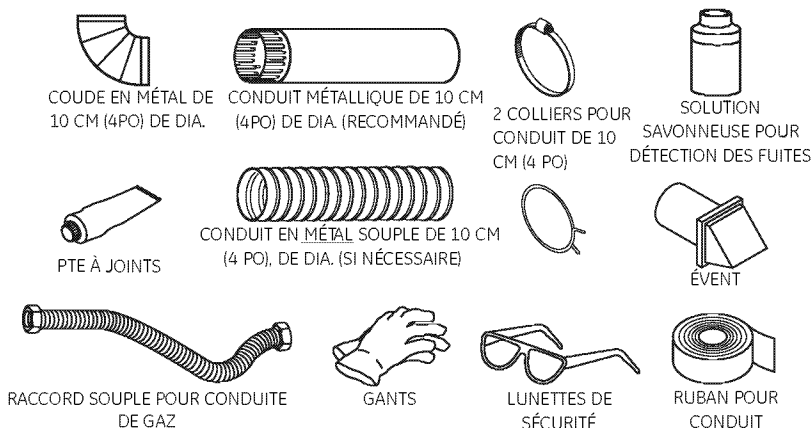
• Le schéma de câblage et les renseignements concernant la réparation se trouvent à l'intérieur du tableau de commande.

• Ne laissez pas les enfants grimper sur l'appareil ou à l'intérieur de celui-ci. Il faut exercer une étroite surveillance lorsque vous faites fonctionner cet appareil en présence d'enfants.

**POUR VOTRE SÉCURITÉ :
AVERTISSEMENT**

- N'utilisez qu'un conduit métallique rigide ou souple de 10 cm (4 po) de diamètre pour l'évacuation vers l'extérieur. N'utilisez jamais un conduit en plastique ou fabriqué avec tout autre matériau combustible facile à perforer.
- Cet appareil doit être adéquatement mis à la terre et installé conformément aux présentes directives.
- Installez ou entreposez la sécheuse dans un endroit où elle ne sera pas exposée à l'eau et/ou aux intempéries.
- Vérifiez et soyez conforme aux exigences locales avant d'installer un appareil dans le garage.
- Installez la sécheuse dans une pièce où la température est supérieure à 10 °C (50 °F) pour assurer le bon fonctionnement des commandes de l'appareil.

REMARQUE : L'installation et la réparation de cette sécheuse exigent des connaissances de base en mécanique et en électricité. Il vous incombe de communiquer avec un installateur qualifié pour effectuer les raccordements électriques.

OUTILS NÉCESSAIRES**COMPOSANTES NÉCESSAIRES**

Étape 1 Vérifiez votre installation de gaz (voir la section 13).

Étape 2 Préparez l'emplacement et l'évacuation pour l'installation de la nouvelle sécheuse (voir la section 12).

Étape 3 Assurez-vous que le conduit d'évacuation externe actuellement en place est propre (voir la section 12) et qu'il répond aux exigences des directives d'installation qui suivent (voir la section 17).

Étape 4 Enlevez les coussins d'expédition en mousse (voir la section 12).

Étape 5 Amenez la sécheuse à l'endroit désiré.

Étape 6 Mettez votre sécheuse de niveau (voir la section 19).

Étape 7 Raccordez l'alimentation en gaz (voir la section 14) et vérifiez si elle présente des fuites (voir la section 15).

Étape 8 Raccordez le système d'évacuation vers l'extérieur (voir la section 18).

Étape 9 Branchez le cordon d'alimentation (voir la section 16).

Étape 1 Vérifiez le bon fonctionnement de l'alimentation électrique, du système d'alimentation en gaz et de l'évacuation.

Étape 11 Rangez le Guide d'utilisation et d'entretien et les Directives d'installation à un endroit où le propriétaire pourra facilement les trouver.

Pour une installation dans un placard ou une alcôve, voir la section 20.

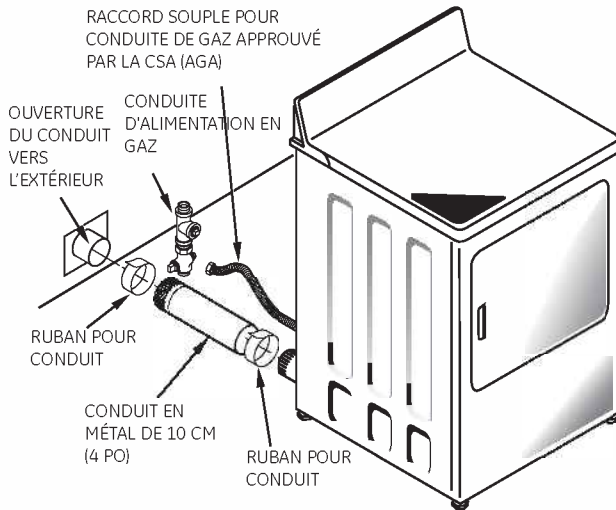
Pour une installation dans une chambre à coucher ou une salle de bain, voir la section 21.

Pour une installation dans une maison mobile ou pré-fabriquée, voir la section 22.

Dégagements minimums pour les installations autres que dans une alcôve ou un placard.

Les dégagements minimums par rapport aux surfaces combustibles et pour l'ouverture d'aération sont les suivants : 0 cm (0 po) des deux côtés et 2,5 cm (1 po) à l'arrière. Il faut prévoir un dégagement adéquat pour l'installation et la réparation.

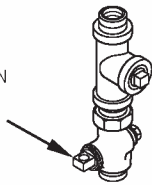
12 PRÉPARATION POUR L'INSTALLATION DE LA NOUVELLE SÈCHEUSE



CONSEIL : Installez votre sècheuse avant d'installer votre laveuse. Cela facilitera l'accès pour l'installation du conduit d'évacuation de la sècheuse.

COUPURE DE L'ALIMENTATION EN GAZ

FERMEZ LE ROBINET D'ALIMENTATION EN GAZ.



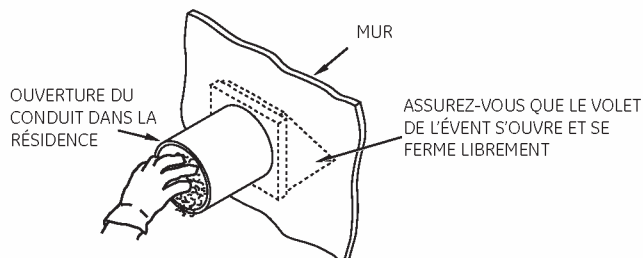
DÉBRANCHEZ ET JETEZ L'ANCIEN RACCORD SOUPLE ET L'ANCIEN CONDUIT EN MÉTAL.



⚠ AVERTISSEMENT - NE RÉUTILISEZ JAMAIS D'ANCIENS RACCORDS SOUPLES.

L'utilisation d'anciens raccords souples peut provoquer des fuites et causer des blessures. Utilisez toujours des raccords souples neufs lorsque vous installez des électroménagers à gaz.

ENLÈVEMENT DE LA CHARPIE DANS L'OUVERTURE DU CONDUIT D'ÉVACUATION



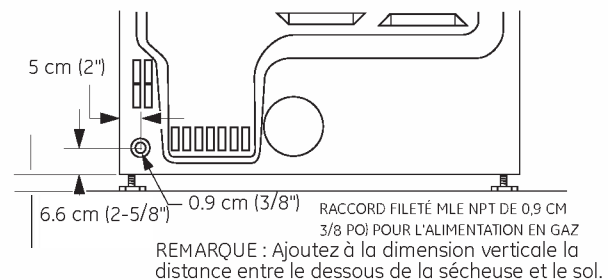
Inclinez la sècheuse d'un côté et enlevez les coussins d'expédition en mousse en les saisissant par les côtés et en les cassant. Assurez-vous d'enlever toutes les particules de mousse autour des pieds.

13 ALIMENTATION EN GAZ

⚠ AVERTISSEMENT

- L'installation doit être conforme aux codes locaux et avec le code CAN/CGA-B149, Code d'Installation au Gaz Naturel.
- Cette sècheuse à gaz est pourvue d'une électrovanne et d'un brûleur pour utilisation avec le gaz naturel seulement. À l'aide de la trousse de conversion WE14M160, votre réparateur peut transformer cette sècheuse en vue d'une alimentation au gaz propane. TOUTES LES CONVERSIONS DOIVENT ÊTRE EFFECTUÉES PAR UNE PERSONNE FORMÉE ET QUALIFIÉE, ET CONFORMÉMENT À TOUS, OU EN ABSENCE DE CODES LOCAUX, AU CODE CAN/CGA-B149, CODE D'INSTALLATION AU GAZ NATUREL LES CODES ET RÈGLEMENTS LOCAUX EN VIGUEUR.
- La sècheuse doit être isolée du système d'alimentation en gaz pendant toute vérification de pression du système d'alimentation en gaz lorsqu'on utilise une pression supérieure à 0,5 lb/po₂ (3,4 kPa).

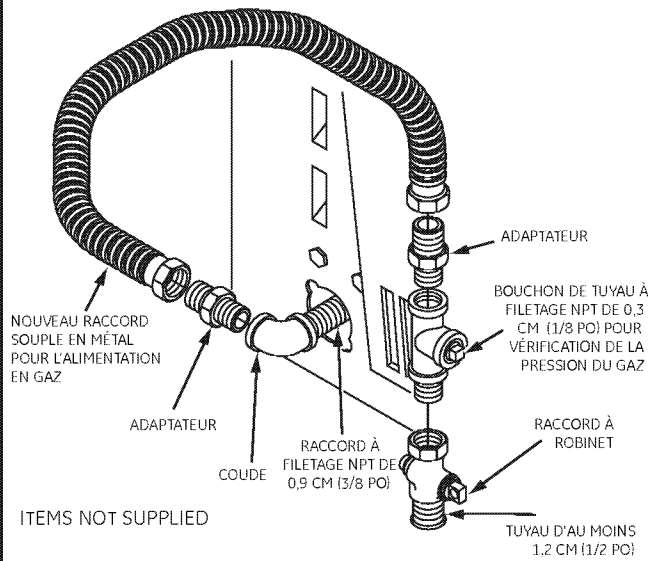
RACCORDEMENT À L'ALIMENTATION EN GAZ DE LA SÈCHEUSE



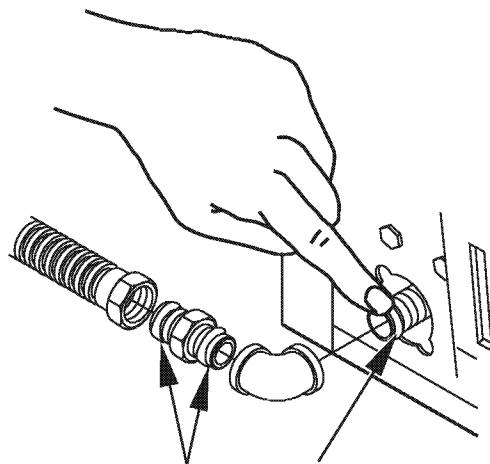
ALIMENTATION EN GAZ

- Un robinet à filetage conique standard américain NPT de 0,3 cm (1/8 po), accessible pour le raccordement d'un manomètre, doit être installé en amont du raccord de la conduite de gaz à la sècheuse. Si vous avez des questions concernant l'installation du robinet, communiquez avec votre fournisseur de gaz.
- La conduite d'alimentation en gaz doit être constituée d'un tuyau rigide de 1,2 cm (1/2 po) pourvu d'un robinet accessible à moins de 2 m (6 pi) de la sècheuse et se trouvant dans la même pièce que la sècheuse.
- Appliquez de la pâte lubrifiante ou du ruban en Téflon conçus pour le gaz naturel ou propane.
- Le connecteur flexible à gaz, lorsque utilisé, ne doit pas dépasser 3 pieds.
- Branchez le raccord souple en métal à la sècheuse et à la conduite d'alimentation en gaz.
- Ouvrez le robinet de la conduite.

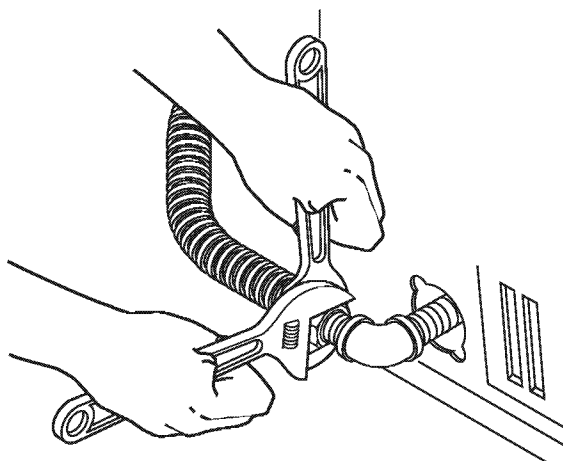
14 RÉTABLISSEMENT DE L'ALIMENTATION EN GAZ



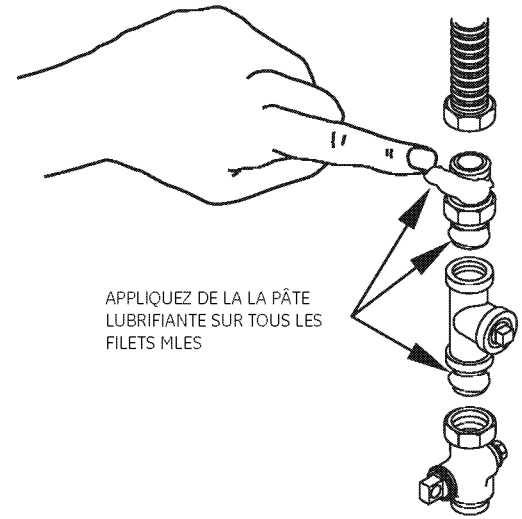
ITEMS NOT SUPPLIED



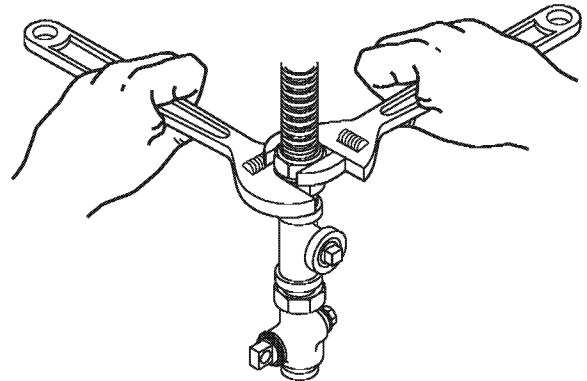
APPLIQUEZ DE LA PÂTE LUBRIFIANTE SUR L'ADAPTATEUR ET L'ENTRÉE DE LA CONDUITE D'ALIMENTATION EN GAZ LA SÈCHEUSE



SERREZ LA CONDUITE SOUPLE D'ALIMENTATION EN GAZ À L'AIDE DE DEUX CLÉS À MOLETTE



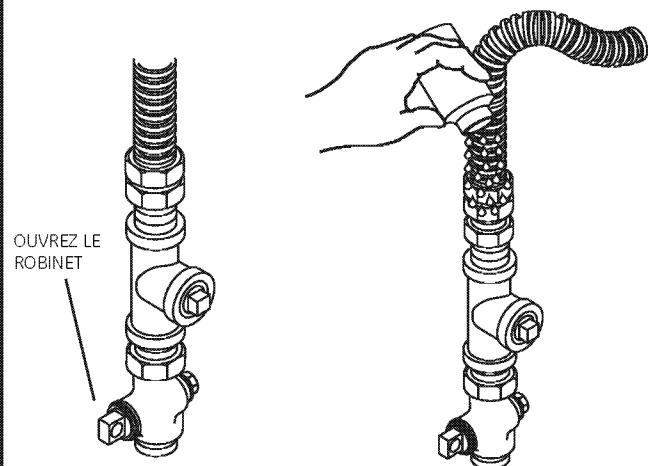
APPLIQUEZ DE LA LA PÂTE LUBRIFIANTE SUR TOUTS LES FILETS MLES



Serrez tous les raccords à l'aide de deux clés à molette.
Ne serrez pas les raccords de façon excessive!

15 VÉRIFICATION DES FUITES

⚠ AVERTISSEMENT - N'UTILISEZ JAMAIS UNE FLAMME NUE POUR VÉRIFIER LES FUITES DE GAZ.



Vérifiez tous les raccords à l'aide d'une solution savonneuse ou l'équivalent pour voir s'ils présentent des fuites. **Les solutions utilisées pour la vérification des fuites ne doivent pas contenir d'ammoniaque qui pourrait endommager les raccords ou les tuyaux en laiton.** Si vous constatez une fuite, fermez le robinet, resserrez le raccord et effectuez à nouveau la vérification à l'aide de la solution savonneuse.

16 RACCORDEMENT ÉLECTRIQUE

⚠ AVERTISSEMENT – POUR RÉDUIRE LES RISQUES D'INCENDIE, DE CHOCS ÉLECTRIQUES ET DE BLESSURES :

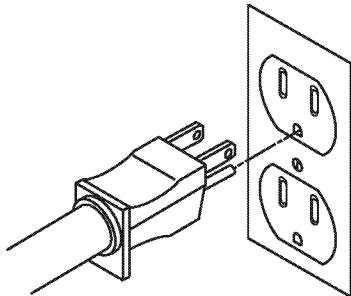
• **N'UTILISEZ PAS DE RALLONGE ÉLECTRIQUE OU DE FICHE D'ADAPTATION AVEC CET APPAREIL.**

La sècheuse doit être mise à la terre en conformité avec les codes et règlements locaux en vigueur ou, en l'absence de codes locaux, en conformité avec L'installation doit être conforme à la norme C22.1 de l'ACNOR, à la Partie 1 du Code canadien de l'électricité.

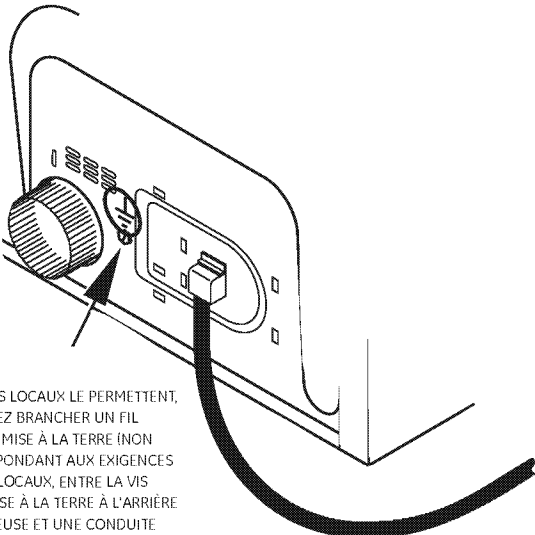
ALIMENTATION ÉLECTRIQUE

Cette sècheuse doit être branchée à un circuit adéquatement mis à la terre de 120 V et 60 Hz, protégé par un disjoncteur ou un fusible à retardement de 15 ou 20 ampères. Si l'alimentation électrique ne répond pas à ces conditions, nous vous recommandons de faire installer une prise de courant approuvée par un électricien agréé.

⚠ AVERTISSEMENT – CETTE SÈCHEUSE POSSÈDE UNE FICHE À TROIS BROCHES (MISE À LA TERRE) POUR PLUS DE PROTECTION CONTRE LES CHOCS ÉLECTRIQUES. ELLE DOIT ÊTRE BRANCHÉE DIRECTEMENT DANS UNE PRISE DE COURANT À TROIS ALVÉOLES, ADÉQUATEMENT MISE À LA TERRE. L'INSTALLATION DOIT ÊTRE CONFORME À LA NORME C22.1 DE L'ACNOR, À LA PARTIE 1 DU CODE CANADIEN DE L'ÉLECTRICITÉ OU AUX CODES LOCAUX EN VIGUEUR. NE COUPEZ PAS OU N'ENLEVEZ PAS LA BROCHE RONDE DE MISE À LA TERRE DE CETTE FICHE.



AVANT DE BRANCHER LA FICHE, ASSUREZ-VOUS QUE LA MISE À LA TERRE EST APPROPRIÉE.



SI LES CODES LOCAUX LE PERMETTENT, VOUS POUVEZ BRANCHER UN FIL EXTERNE DE MISE À LA TERRE (NON FOURNI), RÉPONDANT AUX EXIGENCES DES CODES LOCAUX, ENTRE LA VIS VERTE DE MISE À LA TERRE À L'ARRIÈRE DE LA SÈCHEUSE ET UNE CONDUITE MÉTALLIQUE D'EAU FROIDE MISE À LA TERRE OU TOUT AUTRE SYSTÈME DE MISE À LA TERRE ÉTABLI.

17 ÉVACUATION DE L'AIR

⚠ AVERTISSEMENT – N'UTILISEZ QU'UN CONDUIT EN MÉTAL DE 10 CM (4 PO) SEULEMENT. N'UTILISEZ PAS UN CONDUIT PLUS LONG QUE CELUI INDIQUÉ DANS LE TABLEAU DE LA LONGUEUR DES CONDUITS D'ÉVACUATION.

L'utilisation d'un conduit plus long que celui recommandé :

- Augmentera la durée du séchage et les frais d'énergie.
- Réduira la durée de vie utile de la sècheuse.
- Favorisera l'accumulation de charpie, créant un risque d'incendie.

VOUS AVEZ LA RESPONSABILITÉ d'installer le conduit d'évacuation approprié. Les problèmes attribuables à une installation incorrecte ne sont pas couverts par la garantie.

La longue MAXIMALE PERMISE du conduit d'évacuation dépend du type de conduit, du nombre de coudes, du type d'évent mural employé et de toutes les conditions indiquées ci-dessous. Le tableau qui suit indique les longueurs recommandées pour les conduits en métal souple et rigide.

LONGUEUR DES CONDUITS D'ÉVACUATION

	LONGUEUR MAXIMALE RECOMMANDÉE			
	Types d'évent			
	Recommandé	Utilisation pour les conduits courts seulement		
Nombre de coudes de 90°	Rigide en métal	Souple en métal	Rigide en métal	Souple en métal
0	27,4 m (90 pi)	16,8 m (55 pi)	18,3 m (60 pi)	13,7 m (45 pi)
1	18,3 m (60 pi)	12,2 m (40 pi)	13,7 m (45 pi)	9,1 m (30 pi)
2	13,7 m (45 pi)	9,1 m (30 pi)	10,7 m (35 pi)	6,1 m (20 pi)
3	10,7 m (35 pi)	6,1 m (20 pi)	7,6 m (25 pi)	4,6 m (15 pi)

Si vous utilisez un conduit souple en métal, reportez-vous à la page 17.

LISTE DE CONTRÔLE DU SYSTÈME D'ÉVACUATION

ÉVENT MURAL

- Installez un évent de manière à empêcher les retours d'air dans l'appareil ou l'entrée d'oiseaux ou autres animaux.
- L'évent utilisé doit offrir une résistance minimale à l'air évacué et n'exiger qu'un minimum d'entretien pour empêcher l'obstruction.
- N'installez jamais une grille à l'intérieur ou par-dessus le conduit d'évacuation.
- L'évent mural doit être installé à au moins 30 cm (12 po) du sol ou de tout autre obstacle lorsque l'ouverture est orientée vers le bas.
- Si vous utilisez un évent de toiture ou à volets, il doit présenter des caractéristiques équivalentes à celles d'un évent mural à volet de 10 cm (4 po) en ce qui concerne la résistance à la circulation d'air, la prévention des retours d'air et l'entretien exigé pour éviter les obstructions.

LONGUEUR DE CONDUIT ENTRE LES COUDES

Pour un rendement optimum, prévoyez une longueur de conduit droit de 1,2 m (4 pi) entre chaque coude, y compris entre le dernier coude et l'évent mural.

AUTRES TYPES DE COUDES

- Ne tenez pas compte d'un coude de 45° moins.
- 2 coudes de 45° équivalent à un coude de 90°.
- Chaque coude de 45° équivaut à un coude de 90°.

SCÈLÈMENT DES JOINTS

- Tous les joints doivent être étanches pour éviter les fuites d'air. L'extrémité mâle de chaque section de conduit doit être orientée en sens contraire par rapport à la sècheuse.
- N'assemblez pas les sections de conduit avec des vis qui dépassent à l'intérieur du conduit. Celles-ci risquent de créer des points d'accumulation de charpie.
- Assurez l'étanchéité à l'air et à l'humidité des conduits en recouvrant les joints de ruban gommé pour conduit.
- Les longueurs horizontales de conduit doivent avoir une pente descendante vers l'extérieur, à raison de 1,2 cm (1/2 po) par 30 cm (12 po).

ISOLATION

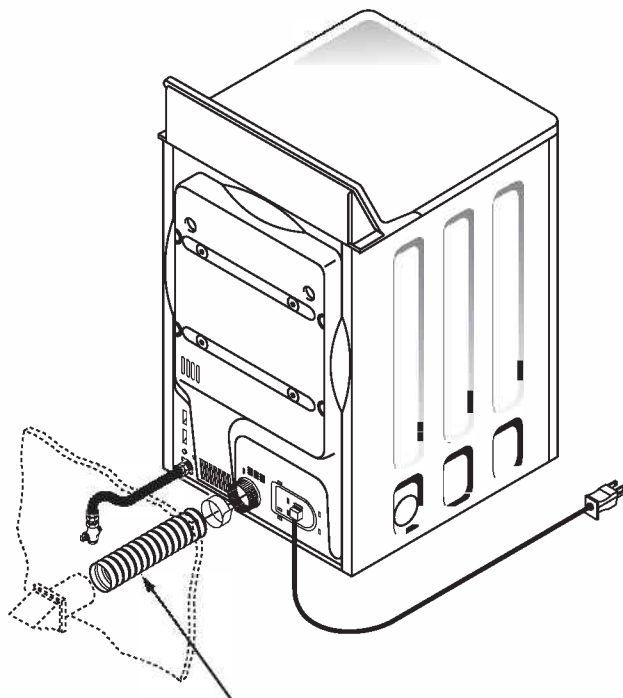
Les conduits qui traversent une zone non chauffée ou qui se trouvent à proximité d'un conduit de climatisation doivent être isolés afin de réduire la condensation et l'accumulation de charpie.

18 RACCORDEMENT DU CONDUIT D'ÉVACUATION**⚠ AVERTISSEMENT – POUR RÉDUIRE LES RISQUES D'INCENDIE OU DE BLESSURES :**

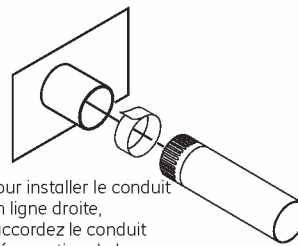
- L'air de cette sècheuse doit être évacué à l'extérieur.
- N'utilisez qu'un conduit en métal seulement.
- Ne faites pas évacuer l'air de la sècheuse dans une cheminée, dans un conduit d'évacuation des gaz brûlés, sous un plancher (vide sanitaire) ou dans un grenier. L'accumulation de charpie pourrait présenter un risque d'incendie.
- Prévoyez un accès pour l'inspection et le nettoyage du système d'évacuation, plus particulièrement au niveau des coudes. Inspectez et nettoyez le système au moins une fois par année.
- Ne faites jamais évacuer l'air de la sècheuse dans le conduit d'évacuation d'une hotte de cuisine. Le mélange de charpie et de graisse pourrait présenter un risque d'incendie.
- N'entrez pas la circulation de l'air qui entre dans la sècheuse ou qui en est évacué.

NOUS VOUS RECOMMANDONS D'INSTALLER VOTRE SÈCHEUSE AVANT VOTRE LAVEUSE AFIN DE FACILITER L'ACCÈS POUR LE RACCORDEMENT DU CONDUIT D'ÉVACUATION.

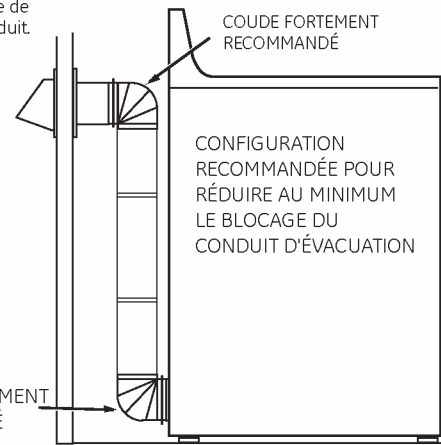
CETTE SÈCHEUSE A ÉTÉ PRÉPARÉE EN VUE D'UNE ÉVACUATION PAR L'ARRIÈRE. SI L'ESPACE EST LIMITÉ, SUIVEZ LES DIRECTIVES DE LA SECTION 12 POUR EFFECTUER L'ÉVACUATION PAR LE CÔTÉ GAUCHE OU LE DESSOUS DE L'APPAREIL.

ÉVACUATION STANDARD PAR L'ARRIÈRE

REMARQUE : NOUS VOUS RECOMMANDONS FORTEMENT D'UTILISER UN CONDUIT D'ÉVACUATION EN MÉTAL RIGIDE. CEPENDANT, SI VOUS UTILISEZ UN CONDUIT SOUPLE, COUPEZ-LE À LA LONGUEUR APPROPRIÉE ET ÉVITEZ D'ÉCRASER LE CONDUIT À L'ARRIÈRE DE LA SÈCHEUSE.



Pour installer le conduit en ligne droite, raccordez le conduit d'évacuation de la sècheuse à l'évent extérieur à l'aide de ruban pour conduit.

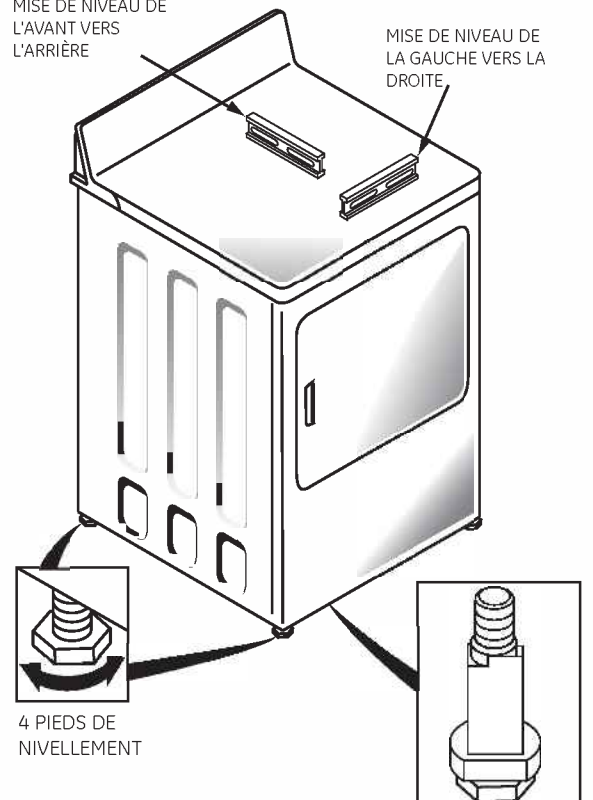


REMARQUE : LES COUDES EMPÊCHENT L'ÉCRASEMENT ET L'AFFAISSEMENT DU CONDUIT.

19 MISE DE NIVEAU

MISE DE NIVEAU DE L'AVANT VERS L'ARRIÈRE

MISE DE NIVEAU DE LA GAUCHE VERS LA DROITE



4 PIEDS DE NIVELLEMENT

2 PIEDS ANTI-RENVERSE

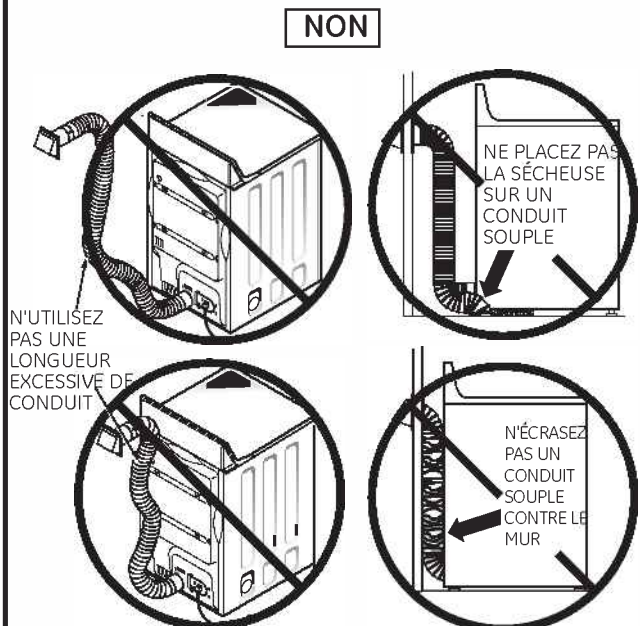
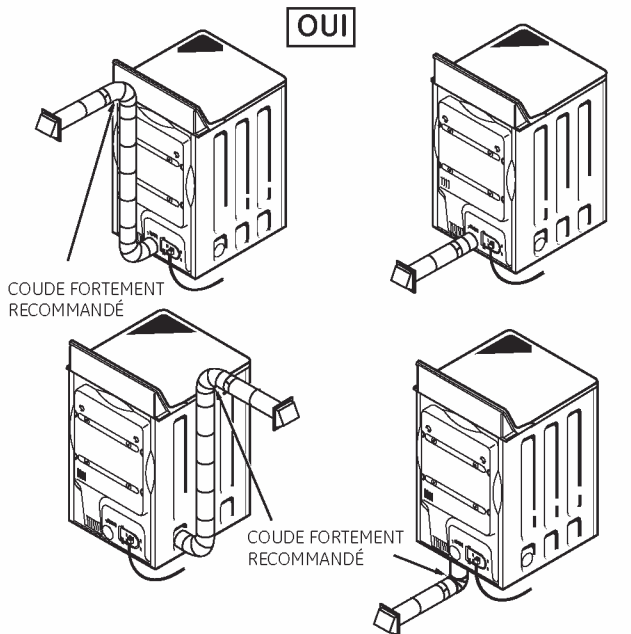
Placez la sècheuse à proximité de son emplacement final, et réglez les 4 pieds de nivellement dans les 4 coins afin que la sècheuse soit à la même hauteur que votre laveuse.

UTILISATION D'UN CONDUIT SOUPLE EN MÉTAL

Si vous ne pouvez utiliser un conduit rigide entièrement en métal, vous pouvez alors employer un conduit souple entièrement en métal, mais cela aura pour effet de diminuer la longueur maximale de conduit recommandée. Dans le cas d'installations spéciales, lorsqu'il est impossible d'utiliser un conduit entièrement en métal, vous pouvez employer un conduit de transition souple en métal homologué par l'UL pour les sècheuses entre la sècheuse et le raccord au mur seulement. L'utilisation de ce type de conduit allongera les durées de séchage.

Si vous devez utiliser un conduit de transition souple en métal, suivez les directives ci-dessous.

- Utilisez la longueur la plus courte possible.
- Étirez le conduit à sa longueur maximale afin d'éviter la formation de plis.
- Évitez d'écraser le conduit.
- N'installez jamais un conduit de transition à l'intérieur du mur ou de la sècheuse.
- Évitez de placer le conduit sur des objets tranchants.
- Le système d'évacuation doit être conforme aux codes du bâtiment locaux.



20 INSTALLATION DANS UNE ALCÔVE OU UN PLACARD

- Si votre sècheuse est conçue pour être installée dans une alcôve ou un placard, cela sera indiqué sur une étiquette apposée sur le panneau arrière de la sècheuse.
- L'air de la sècheuse DOIT être évacué à l'extérieur. Reportez-vous aux points 3 et 4 de la section ÉVACUATION DE L'AIR.
- Les dégagements minimums entre la sècheuse et les murs adjacents ou autres surfaces sont les suivants :
 - 0 cm (0 po) de chaque côté
 - 7,6 cm (3 po) à l'avant et à l'arrière
- Le dégagement vertical minimum entre le plancher et les armoires, le plafond, etc., doit être de 130 cm (52 po).
- Les portes du placard doivent être pourvues de persiennes ou autre dispositif d'aération équivalant à une ouverture de 387 cm² (60 po²) répartie de façon égale. Si une sècheuse et une laveuse sont installées dans le placard, les portes doivent être pourvues d'un dispositif d'aération équivalant à une ouverture de 774 cm² (120 po²) façon égale.
- Le placard doit être pourvu d'un conduit d'aération vers l'extérieure afin d'empêcher l'accumulation de gaz en cas de fuite de la conduite d'alimentation.
- Aucun autre appareil de combustion ne doit être installé dans le même placard que la sècheuse.

21 INSTALLATION DANS UNE SALLE DE BAIN OU UNE CHAMBRE À COUCHER

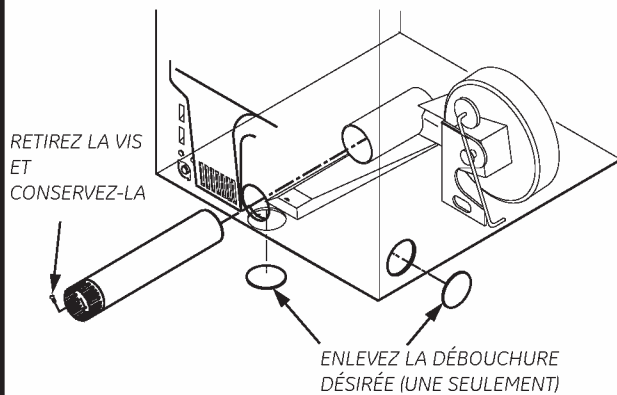
- L'air de la sècheuse DOIT être évacué à l'extérieur. Reportez-vous aux points 3 et 4 de la section ÉVACUATION DE L'AIR.
- L'installation doit être conforme à tous les codes locaux en vigueur ou, en l'absence de codes locaux, au CODE NATIONAL DE L'ÉLECTRICITÉ, ANSI/NFPA n° 70.

22 INSTALLATION DANS UNE MAISON MOBILE OU PRÉ-FABRIQUÉE

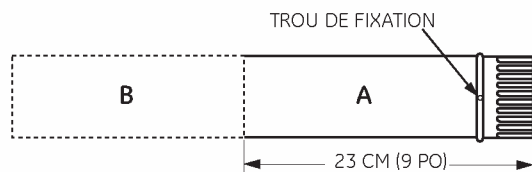
- L'installation doit être conforme aux Codes d'installation dans les maisons mobiles CAN/CSA série Z240 MH.
- L'air de la sècheuse DOIT être évacué à l'extérieur au moyen d'un évent solidement fixé à la structure de la maison mobile (reportez-vous au point 6 de la section ÉVACUATION DE L'AIR).
- L'air de la sècheuse NE DOIT PAS être évacué sous une maison mobile ou pré-fabriquée.
- Le conduit de l'évent DOIT être fabriqué en MÉTAL.
- Il FAUT utiliser l'ENSEMBLE 14-D346-33 pour fixer solidement la sècheuse à la structure de la maison.
- Le conduit d'évacuation NE DOIT PAS être raccordé à un autre conduit, à un système de ventilation ou à une cheminée.
- N'utilisez pas de vis à métaux ou autres dispositifs similaires qui pénètrent à l'intérieur du conduit d'évacuation.
- Prévoyez une ouverture et une zone libre d'au moins 161 cm² (25 po²) pour l'arrivée du conduit d'évacuation vers l'extérieur dans la pièce de la sècheuse.

23 ÉVACUATION PAR LE CÔTÉ GAUCHE OU PAR LE DESSOUS DE LA SÈCHEUSE

⚠ Avertissement – Protégez vos mains et vos bras des bords tranchants lorsque vous travaillez à l'intérieur de l'appareil.

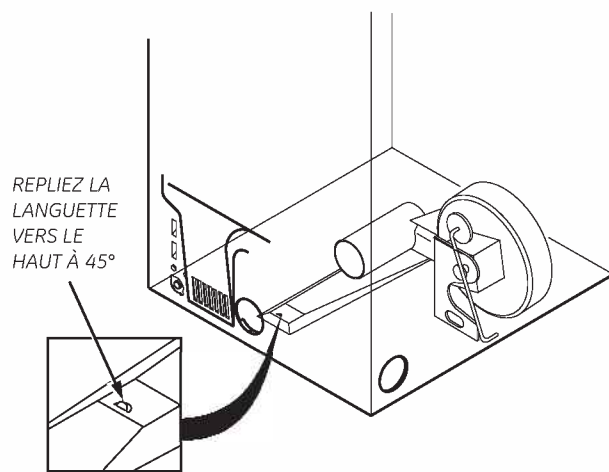


Défoncez et enlevez la débouchure inférieure ou gauche. Retirez la vis à l'intérieur du conduit d'évacuation de la sècheuse et conservez-la. Tirez sur le conduit pour le sortir de la sècheuse. Recouvrez les bords tranchants autour de l'entrée défonçable et de l'ouverture d'évacuation avec du ruban gommé.



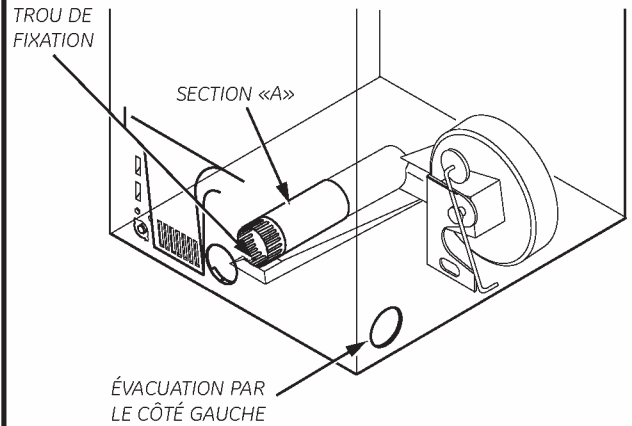
Coupez le conduit de la façon illustrée, et conservez la section A

EMPLACEMENT DE LA LANGUETTE



Par l'ouverture arrière, repérez la languette au milieu de la base de la sècheuse. Repliez la languette vers le haut à 45° environ à l'aide d'un tournevis à embout plat.

AJOUT D'UNE SECTION DE CONDUIT

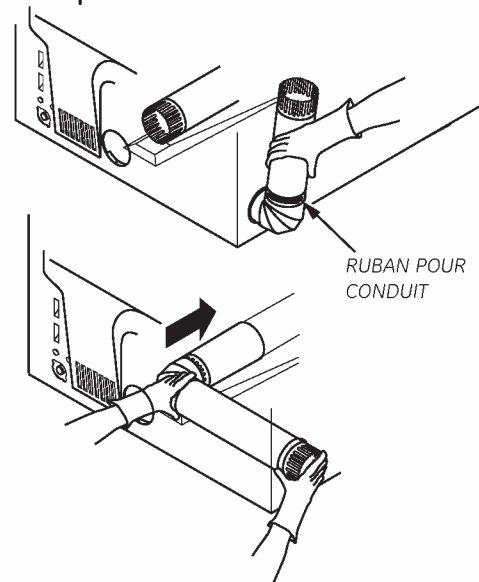


Raccordez la section coupée de conduit (A) au boîtier du ventilateur. Assurez-vous que le trou de fixation est placé vis-à-vis de la languette dans la base de l'appareil. À l'aide de la vis que vous avez conservée, fixez le conduit en place en vissant la vis dans la languette de la base de la sècheuse.

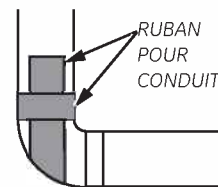
AJOUT D'UN COUDE ET D'UNE SECTION DE CONDUIT POUR L'ÉVACUATION PAR LE CÔTÉ GAUCHE DE LA SÈCHEUSE

- Assemblez au préalable une section de conduit de 10 cm (4 po) à un coude de 10 cm (4 po). Scellez le joint à l'aide de ruban gommé pour conduit.
- Insérez le conduit assemblé, le coude en premier, dans l'ouverture latérale et raccordez le coude au conduit interne de la sècheuse.

ATTENTION : Faites attention de ne pas tirer ou endommager les fils électriques à l'intérieur de la sècheuse lorsque vous insérez le conduit.



- Appliquez du ruban gommé pour conduit, comme indiqué dans l'illustration, sur le joint entre le conduit interne et le coude.

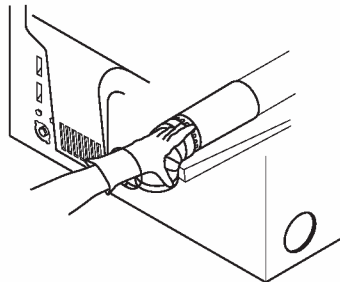


ATTENTION :

Les joints du conduit interne doivent être scellés à l'aide de ruban gommé. Sinon, ils peuvent se séparer et présenter un risque pour la sécurité.

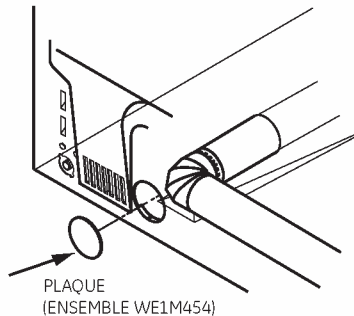
AJOUT D'UN COUDE POUR L'ÉVACUATION PAR LE DESSOUS DE L'APPAREIL

- Insérez le coude par l'ouverture à l'arrière de l'appareil, et raccordez-le au conduit interne de la sécheuse.
- Appliquez du ruban gommé pour conduit sur le joint entre le conduit interne de la sécheuse et le coude, comme illustré à la page 8.



ATTENTION : Les joints du conduit interne doivent être scellés au moyen de ruban gommé pour conduit. Sinon, ils peuvent se séparer et présenter un risque pour la sécurité.

INSTALLATION D'UNE PLAQUE D'OBTURATION À L'ARRIÈRE DE L'APPAREIL

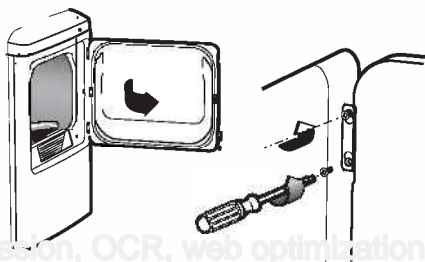


Raccordez les coudes et les conduits en métal pour terminer le système d'évacuation. Recouvrez l'ouverture à l'arrière à l'aide d'une plaque d'obturation (ensemble WE1M454) que vous pouvez vous procurer auprès de votre réparateur. Installez la sécheuse à son emplacement final.

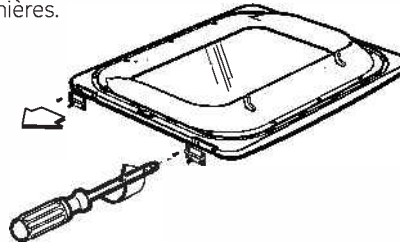
⚠ AVERTISSEMENT - NE LAISSEZ JAMAIS L'OUVERTURE NON RECOUVERTE À L'ARRIÈRE DE L'APPAREIL. (Ensemble WE1M454)

24 DIRECTIVES D'INVERSION DE LA PORTE

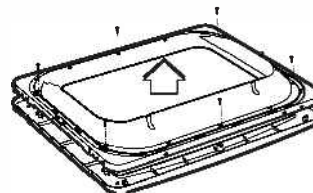
- 1. Avant de commencer** Débranchez la sécheuse du courant électrique.
- 2. Enlevez la porte** Ouvrez la porte à 90° et enlevez les capuchons situés du côté opposé des charnières. Revissez ces vis à moitié dans les trous supérieurs de chaque charnière, du côté opposé de la porte (aux endroits où vous avez enlevé les capuchons). Dévissez partiellement la vis supérieure de chaque charnière. Décrochez la porte en la levant vers le haut et l'extérieur. Enlevez les deux vis restantes et gardez-les à vue.



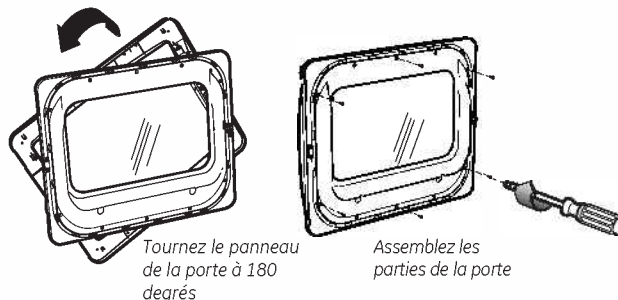
- 3. Inversez le panneau de la porte** Avec la porte posée sur une surface plane, propre et lisse, enlevez les quatre vis des charnières.



Séparez le cadre de la porte de la partie inférieure de la porte, dévissez les 6 vis #8. **IMPORTANT: Enlevez seulement les 6 vis comme il est indiqué sur le schéma cidessous**

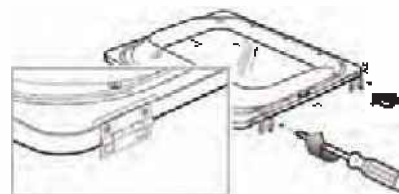


Tournez le panneau de la porte à 180 degrés et réinsérez le panneau de la porte.



Fixez les charnières du côté opposé à la poignée de la porte, en utilisant les mêmes 4 vis de la charnière.

IMPORTANT: Faites attention à la position des charnières:



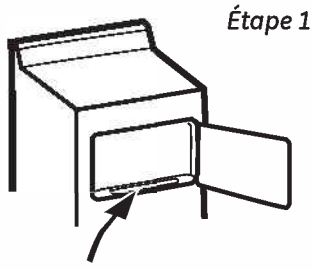
- 4. Inversez les plaques sur la porte** Dévissez les deux plaques – la plaque-couvercle et la plaque loquet (celle qui a une courte tige verticale) – et réinstallez l'une et l'autre du côté inverse

- 5. Réinstallez la porte** La porte est maintenant prête pour être installée sur la sécheuse. Insérez les trous supérieurs de chaque charnière dans les deux vis partiellement vissées. Fixez les vis inférieures (celles qui restent de l'étape 2) et vissez complètement les vis supérieures.

25 RÉPARATION

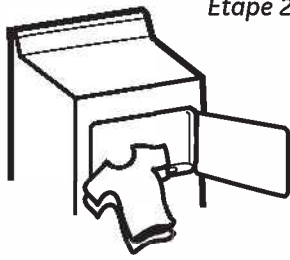
⚠ AVERTISSEMENT - IDENTIFIEZ TOUS LES FILS AVANT DE LES DÉBRANCHER POUR RÉPARER LES COMMANDES DE L'APPAREIL. UNE ERREUR DE BRANCHEMENT DES FILS PEUT PROVOQUER UN FONCTIONNEMENT INADÉQUAT ET DANGEREUX APRÈS LA RÉPARATION OU L'INSTALLATION.

Pour connaître les numéros de téléphone pour obtenir des pièces de rechange ou autres renseignements, consultez la section du Service à la clientèle.



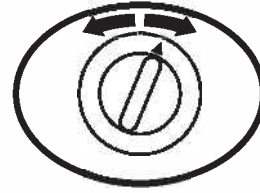
Étape 1

• Nettoyez le filtre à charpie.



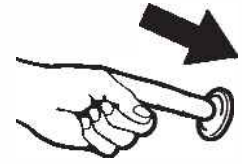
Étape 2

• Ajoutez le linge.



Étape 3

• Sélectionnez le programme de séchage.

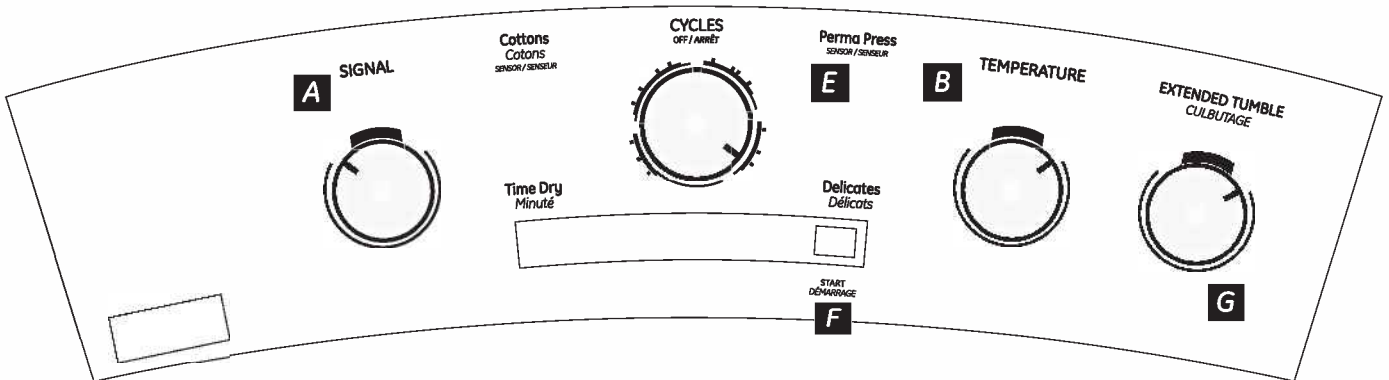
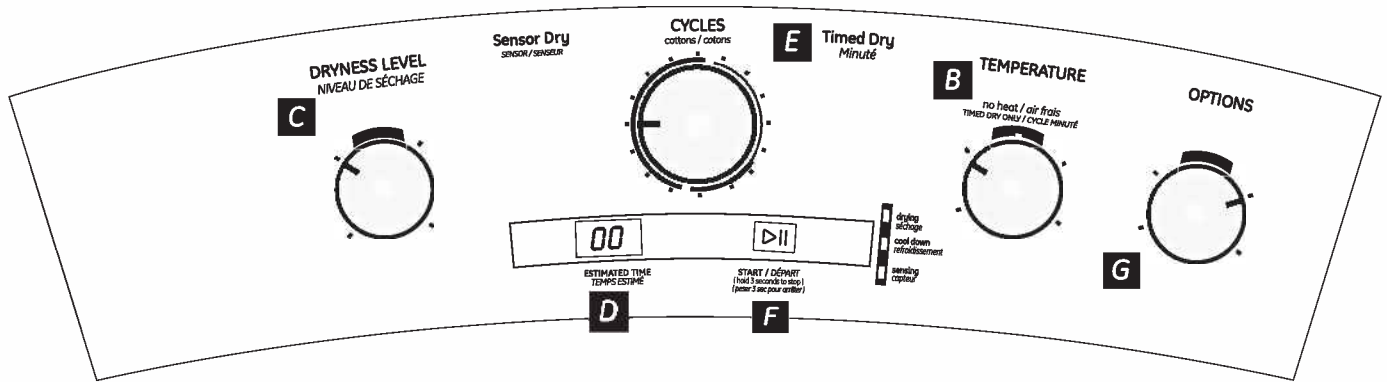


Étape 4

• Fermez la porte.
• Appuyez sur DÉPART.

Guide de familiarisation rapide

REMARQUE : Lorsque vous effectuez une sélection avec un bouton, tournez-le simplement vers la zone ombrée correspondant à la sélection désirée.



À propos du réglage des commandes

A Signal sonore de fin de programme (certains modèles)

Ce signal se fait entendre juste avant la fin du programme pour vous rappeler de sortir le linge.

Si vous sélectionnez l'option **CULBUTAGE**, le signal se fera entendre à la fin du temps de séchage et plusieurs fois lors du programme **CULBUTAGE**. Cela vous rappellera qu'il est temps de sortir le linge.

REMARQUE :

- Sortez rapidement le linge lorsque le signal retentit. Placez les vêtements sur des cintres de manière à ce que les plis ne s'installent pas.
- Utilisez le **SIGNAL DE FIN DE PROGRAMME** surtout lors du séchage de tissus comme les tricots en polyester et les tissus à pressage permanent. Ces tissus doivent être sortis de manière à ce que les plis ne s'installent pas.

Culbutage (certains modèles)

Utilisez cette option pour minimiser les plis du linge. Elle offre environ 1 heure de culbutage sans chaleur une fois le linge sec.

Si vous sélectionnez le **SIGNAL SONORE DE FIN DE PROGRAMME** et l'option **CULBUTAGE**, le signal se fera entendre à la fin du temps de séchage et plusieurs fois lors du programme **CULBUTAGE**. Cela vous rappellera qu'il est temps de sortir le linge.

B Température (certains modèles peuvent ne pas avoir tous les réglages de température indiqués)

HAUTE	Pour les cotons sales à très sales.
MEDIUM	Pour les tissus synthétiques, les tissus en polyester/coton, les tissus délicats et les articles étiquetés pour le pressage permanent.
BASSE	Pour les tissus délicats, les tissus synthétiques et les articles étiquetés pour le séchage par culbutage à faible température.
TRÈS BASSE	Pour les tissus délicats, les tissus synthétiques et les articles étiquetés pour le séchage par culbutage à faible température.
AIR FRAIS	Pour le duvetage des articles sans chaleur. À utiliser uniquement avec les programmes MINUTÉS .

C NIVEAU DE SÉCHAGE : Sélection uniquement utilisée pour les programmes à **SENSEUR**. Les programmes minutés fonctionnent pendant la durée sélectionnée à la température sélectionnée.

PLUS SEC	Pour les tissus robustes.
SEC	Pour un niveau de séchage normal convenant à la plupart des charges. Il s'agit du programme conseillé pour économiser de l'énergie.
MOINS SEC	Pour les tissus plus légers
HUMIDE	Pour laisser le linge partiellement humide.

D Affichage du temps estimé restant (certains modèles)

- Affiche la durée restante **estimée** avant la fin du programme.
- Si le temps restant estimé est de 100 minutes ou plus, « 1H » clignote sur l'affichage, suivi des minutes restantes supplémentaires. Lorsque le temps restant est inférieur à 100 minutes, la minuterie effectue le décompte.

E **Cycles de séchage** Les cycles avec capteur déterminent automatiquement le niveau de séchage du linge. Les cycles minutés fonctionnent pendant le temps sélectionné. Certains cycles ne sont pas disponibles sur certains modèles.

COTONS Pour les cotons et la plupart du linge de maison.

PERMA PRESS Pour les articles infroissables, à pressage permanent et délicats, et les tricots.

DÉLICATS Pour les articles délicats, les tissus à entretien spécial et les tricots.

CHARGE MIXTE Pour les charges contenant des articles en coton et en polyester/coton.

SÉCHAGE MINUTÉ Réglez le temps de séchage désiré à l'aide du sélecteur de programme.

SÉCHAGE HUMIDE Pour laisser le linge partiellement humide.

DÉFROISSEMENT Pour défroisser les vêtements qui sont propres et secs ou très légèrement humides.

AIR FRAIS Pour le rafraîchissement ou le duvetage des vêtements, des tissus, du linge de maison et des oreillers déjà secs. À utiliser avec le réglage **AIR FRAIS**. Offre 10 minutes de culbutage *sans chaleur*.

DRYEL Conçu pour être utilisé avec le système de nettoyage à sec DRYEL^{MD}. Reportez-vous aux instructions sur l'emballage du produit. Si vous avez des questions ou des doutes concernant l'utilisation ou la performance de DRYEL, téléphonez au 1 800 214-8913 ou visitez le site Web www.dryel.com.

ANTI-BACTÉRIEN Cette option détruit 99,9 % de certaines bactéries : *Staphylococcus aureus*, *Pseudomonas aeruginosa* et *Klebsiella pneumoniae**. Le processus antibactérien se produit lorsqu'une chaleur élevée est utilisée pendant une partie du programme de séchage.



NSF Protocol P154
Sanitization Performance of
Residential Clothes Dryers

REMARQUE : N'utilisez pas ce programme pour les tissus délicats.

* Le programme antibactérien est certifié par NSF International (anciennement National Sanitation Foundation) pour la norme NSF Protocol P154 "Sanitization Performance of Residential Clothes Dryers".

TRICOTS Pour les tricots dont les étiquettes d'entretien indiquent un séchage en machine.

SERVIETTES Pour la plupart des serviettes et du linge de maison.

F **DÉPART.** Fermez la porte de la sècheuse. Appuyez sur **DÉPART**. Ouvrir la porte lors du fonctionnement arrête la sècheuse. Pour relancer la sècheuse, fermez la porte et appuyez sur **DÉPART** pour continuer le cycle de séchage. Si la sècheuse fonctionne, appuyez une fois pour suspendre le programme et une nouvelle fois pour le relancer. Si la sècheuse est mise en pause pendant plus de 24 heures, le programme sera annulé. Pour arrêter le cycle maintenez le bouton enfoncé pendant 3 secondes.

REMARQUE : Le temps de séchage varie selon le type de chaleur utilisé (électricité, gaz naturel ou GPL), le volume de linge, les types de tissu, l'humidité du linge et l'état des conduits d'évacuation.

À propos du réglage des commandes

G Culbutage (certains modèles; disponible uniquement avec les cycles indiqués)

Utilisez cette option pour minimiser les plis du linge. Elle offre environ 15 minutes de culbutage sans chaleur une fois le linge sec. Cette option peut être utilisée avec les cycles **COTONS**, **PERMA PRESS (Pressage permanent)** et **DÉLICATS**. Si vous sélectionnez le **SIGNAL SONORE DE FIN DE PROGRAMME** et l'option **CULBUTAGE**, le signal se fera entendre à la fin du temps de séchage et plusieurs fois lors du cycle **CULBUTAGE**. Cela vous rappellera qu'il est temps de sortir le linge.

Si le **CULBUTAGE** n'est pas **ACTIVÉ**, la sècheuse s'arrêtera une fois que la minuterie aura atteint le repère **CULBUTAGE** sur le panneau de contrôle.

À propos des caractéristiques de la sècheuse

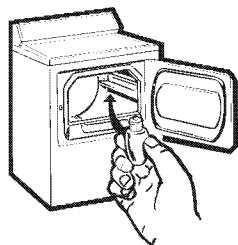
Séchage par senseur (certains modèles)

Cette fonction est uniquement activée avec les cycles **COTONS**, **PERMA PRESS (Pressage permanent)**, **DÉLICATS**, **CHARGE MIXTE**, **TRICOTS** et **SERVIETTES** (lorsque le cycle est disponible sur le modèle).

Le **SÉCHAGE PAR SENSEUR** fournit des résultats de séchage plus précis que sur des machines standard, offrant des temps de séchage plus courts et un meilleur entretien du linge. Lors du culbutage du linge, celui-ci entre en contact avec un capteur d'humidité. Le capteur arrête le cycle de chauffage dès que le linge a atteint le niveau de séchage sélectionné.

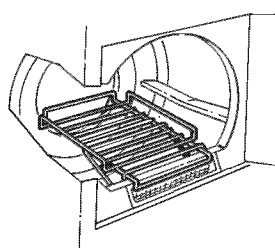
Cette sècheuse ajuste le temps de séchage estimé initial des programmes de séchage par capteur à mesure qu'elle « apprend » son type d'installation et son profil d'utilisation.

Veuillez laisser plusieurs semaines à la sècheuse pour qu'elle s'adapte à « vous ».



Éclairage du tambour

Avant de remplacer l'ampoule, assurez-vous de débrancher le cordon d'alimentation de la sècheuse ou de déconnecter la sècheuse du tableau de distribution de votre domicile (fusible ou disjoncteur). Penchez-vous au-dessus de l'ouverture de la sècheuse vers l'intérieur du tambour. Retirez l'ampoule et remplacez-la avec une ampoule de même format.



Grille de séchage (certains modèles)

Utilisez une grille de séchage pour sécher les articles délicats, par exemple, les chandails lavables.

Accrochez la grille au-dessus du filtre à charpie de manière à ce qu'elle s'étende dans le tambour.

REMARQUE:

- La grille de séchage doit être utilisée avec le **CYCLE MINUTÉ**.
- N'utilisez pas cette grille de séchage lorsque d'autres vêtements se trouvent dans la sècheuse.

Tambour en acier inoxydable (certains modèles)

L'acier inoxydable utilisé pour la fabrication du tambour de la sècheuse vous offre la meilleure fiabilité possible dans une sècheuse GE.

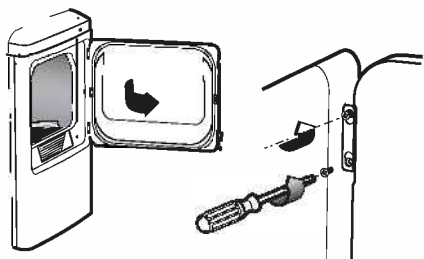
Si le tambour de la sècheuse venait à être marqué ou rayé en cours d'usage normal, il ne rouillerait pas. Ces dommages superficiels n'affecteront pas sa durabilité ni son fonctionnement.

1. Avant de commencer

Débranchez la sècheuse du courant électrique.

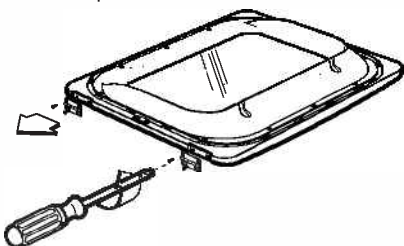
2. Enlevez la porte

Ouvrez la porte à 90 degrés et enlevez les capuchons situés du côté opposé des charnières. Revissez ces vis à moitié dans les trous supérieurs de chaque charnière, du côté opposé de la porte (aux endroits où vous avez enlevé les capuchons). Dévissez partiellement la vis supérieure de chaque charnière. Décrochez la porte en la levant vers le haut et l'extérieur. Enlevez les deux vis restantes et gardez-les à vue.



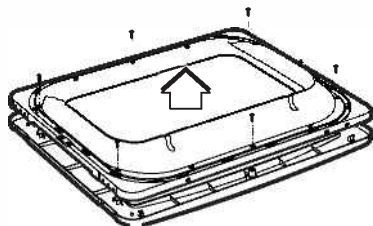
3. Inversez le panneau de la porte

Avec la porte posée sur une surface plane, propre et lisse, enlevez les quatre vis des charnières.

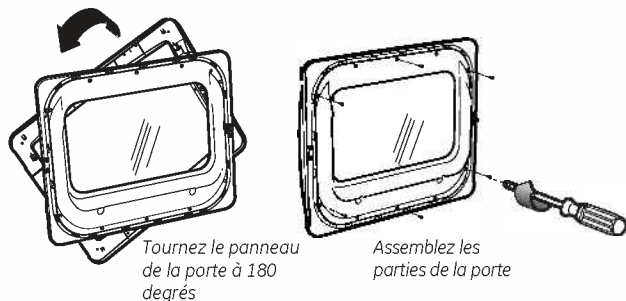


Séparez le cadre de la porte de la partie inférieure de la porte, dévissez les 6 vis #8.

IMPORTANT: Enlevez seulement les 6 vis comme il est indiqué sur le schéma cidessous

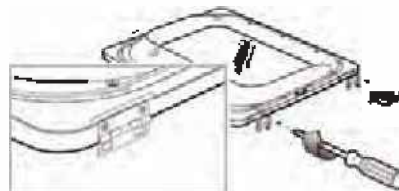


Tournez le panneau de la porte à 180 degrés et réinsérez le panneau de la porte.



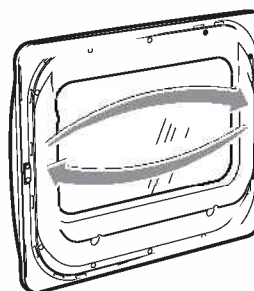
Fixez les charnières du côté opposé à la poignée de la porte, en utilisant les mêmes 4 vis de la charnière.

IMPORTANT: Faites attention à la position des charnières:



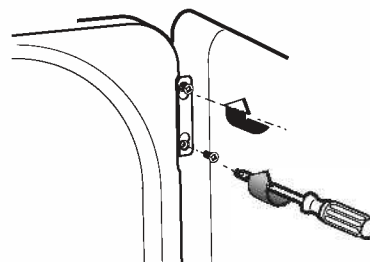
4. Inversez les plaques sur la porte

Dévissez les deux plaques – la plaque-couvercle et la plaque loquet (celle qui a une courte tige verticale) – et réinstallez l'une et l'autre du côté inverse



5. Réinstallez la porte

La porte est maintenant prête pour être installée sur la sècheuse. Insérez les trous supérieurs de chaque charnière dans les deux vis partiellement vissées. Fixez les vis inférieures (celles qui restent de l'étape 2) et vissez complètement les vis supérieures.



Utilisation et chargement de la sècheuse.

www.electromenagersge.ca

Lors de la lessive, observez toujours les directives données sur l'étiquette d'entretien des vêtements.



Conseils pour le tri et le chargement

En règle générale, lorsque les vêtements sont correctement triés pour le lavage, ils le sont aussi pour le séchage.

N'ajoutez pas votre feuille d'assouplissant textile lorsque la brassée a commencé à sécher, car elle risque de provoquer des taches d'assouplissant. Les feuilles d'assouplissant de tissus Bounce^{MD} pour sècheuses ont été approuvés pour toutes les sècheuses GE lorsqu'elles sont utilisées conformément aux directives données par le fabricant.

Ne surchargez pas la sècheuse car c'est une perte d'énergie et cela peut provoquer la formation de faux plis.

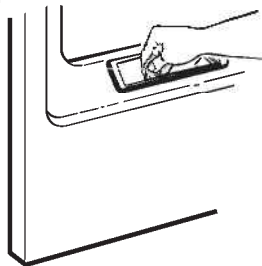
Ne faites pas sécher les articles suivants dans la sècheuse : articles en fibre de verre, lainages, articles recouverts de caoutchouc, plastiques, articles dotés d'une garniture en plastique, et articles remplis de mousse de caoutchouc.



Entretien et nettoyage de la sècheuse

Extérieur : Essuyez les produits de lessive renversés, et enlevez la poussière avec un linge humide. Le fini et le tableau de commande de la sècheuse peuvent être endommagés par certains produits de traitement préliminaires et détachants. Appliquez ces produits loin de la sècheuse. Vous pouvez ensuite laver et faire sécher les vêtements normalement. Les dommages causés à votre sècheuse par ces produits ne sont pas couverts par votre garantie.

Filtre à charpie : Mettez le filtre à charpie avant chaque utilisation. Pour ce faire, humectez vos doigts et passez-les de gauche à droite dans l'ouverture du filtre pour enlever la charpie. Une fois par année, demandez à un technicien qualifié de nettoyer la charpie dans votre sècheuse à l'aide d'un aspirateur.



Acier inoxydable : Pour nettoyer les surfaces en acier inoxydable, utilisez un linge humide et un nettoyant doux non abrasif pour acier inoxydable. Enlevez les résidus de produits nettoyants, et asséchez les surfaces à l'aide d'un chiffon propre.

Conduit d'évacuation Inspectez et nettoyez le conduit d'évacuation de la sècheuse au moins une fois par année afin d'éviter qu'il se bloque. Lorsque le conduit d'évacuation est partiellement obstrué, cela a pour effet d'allonger la durée de séchage.

Suivez ces étapes :

- 1 Coupez l'alimentation électrique en débranchant le cordon d'alimentation de la prise murale.
- 2 Débranchez le conduit d'évacuation de la sècheuse.
- 3 Passez le tuyau de l'aspirateur dans le conduit d'évacuation, et rebranchez le conduit d'évacuation de la sècheuse.

Évent mural : Vérifiez à l'aide d'un miroir si les volets à l'intérieur de l'évent bouge facilement quand la sècheuse fonctionne. Assurez-vous qu'il n'y a pas de nid (d'oiseaux, d'insectes, etc.) à l'intérieur du conduit d'évacuation ou de l'évent.



Étiquettes d'entretien des tissus

Voici les «symboles» utilisés sur les étiquettes d'entretien des vêtements que vous désirez laver.

SYMBOLES DE LAVAGE

Lavage à la machine

Normal Tissus à apprêt permanent/irfroissable Tissus délicats Lavage à la main Ne pas laver Ne pas essorer

Température de l'eau

●●● Chaude (50 °C/120 °F) ●● Tiede (40 °C/105 °F) ● Froide (30 °C/85 °F)

SYMBOLES DE BLANCHIMENT

Symboles de blanchiment

Tout agent de blanchiment (au besoin) Agent de blanchiment non chloré (au besoin) Ne pas utiliser d'agent de blanchiment

SYMBOLES DE SÉCHAGE

Séchage par culbutage

Sécher Normal Tissus à apprêt permanent/irfroissable Tissus délicats Ne pas sécher par culbutage Ne pas sécher (utilisé avec le symbole «ne pas laver»)

Température de séchage

Élevée Moyenne Basse Sans chaleur/air

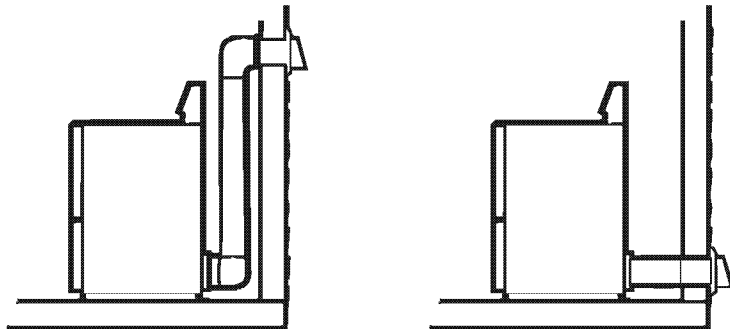
Directives spéciales

Suspendre pour sécher Sécher par égouttage Faire sécher à plat Faire sécher à l'ombre

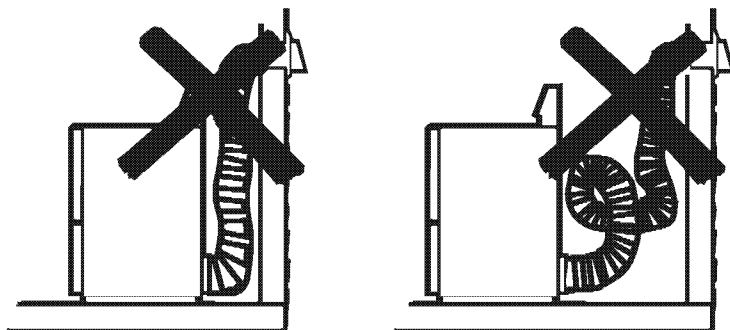
Pour un rendement optimum, l'air de la sècheuse doit être évacué de la façon appropriée. **La sècheuse consommera plus d'énergie et fonctionnera plus longtemps si l'air n'est pas évacué conformément aux exigences indiquées ci-dessous. Suivez à la lettre les consignes données concernant l'évacuation de l'air de la sècheuse dans les Directives d'installation.**

- N'utilisez qu'un conduit en métal rigide de 10 cm (4 po) de diamètre à l'intérieur de la sècheuse. N'utilisez qu'un conduit en métal souple ou rigide de 10 cm (4 po) de diamètre pour évacuer l'air de la sècheuse vers l'extérieur.
- N'utilisez pas de conduit en plastique ou tout autre conduit combustible.
- Utilisez la longueur de conduit la plus courte possible.
- N'écrasez pas ou ne pliez pas le conduit.
- Évitez d'appuyer le conduit sur des objets tranchants.
- *L'évacuation de l'air de la sècheuse doit être conforme aux codes locaux du bâtiment.*

Évacuation
correcte



Évacuation
incorrecte



Avant d'appeler un réparateur...

www.electromenagersge.ca



Conseils de dépannage

Économisez du temps et de l'argent! Consultez d'abord les tableaux qui suivent ou visitez le site www.electromenagersge.ca. Vous pourriez peut-être éviter de faire appel à un réparateur.

Problème	Causes possibles	Correctifs
La sècheuse ne fonctionne pas	Sècheuse non branchée	<ul style="list-style-type: none"> Assurez-vous que le cordon d'alimentation est bien branché dans la prise de courant.
	Fusible grillé/disjoncteur déclenché	<ul style="list-style-type: none"> Vérifiez le bon fonctionnement de la boîte de fusibles ou de disjoncteurs de la résidence et remplacez le fusible pour réenclencher le disjoncteur. REMARQUE : Les sècheuses électriques utilisent deux fusibles ou disjoncteurs.
La sècheuse ne chauffe pas	Fusible grillé/disjoncteur déclenché; le tambour tourne mais il n'y a pas de chaleur.	<ul style="list-style-type: none"> Vérifiez le bon fonctionnement de la boîte de fusibles de disjoncteurs de la résidence et remplacez le fusible pour réenclencher le disjoncteur. Le tambour de votre sècheuse peut tourner si un seul des fusibles est grillé ou un seul disjoncteur est déclenché.
	Alimentation en gaz coupée	<ul style="list-style-type: none"> Assurez-vous que le robinet d'alimentation en gaz de la sècheuse et celui de la conduite de gaz sont ouverts.
	Aucune température de séchage choisie	<ul style="list-style-type: none"> Choisissez un autre réglage de température.
La sècheuse est bruyante ou vibre	Un peu de vibration/bruit est normal. La sècheuse ne repose pas solidement sur le plancher	<ul style="list-style-type: none"> Installez la sècheuse sur un plancher uniforme, ou réglez les pieds de nivellement jusqu'à ce qu'elle soit de niveau.
Taches de graisse sur les vêtements	Utilisation inadéquate d'assouplissant	<ul style="list-style-type: none"> Suivez les directives sur l'emballage de l'assouplisseur.
	Séchage d'articles sales avec des articles propres	<ul style="list-style-type: none"> Ne faites sécher que des articles propres dans votre sècheuse. Les articles sales peuvent tacher les articles propres et la sècheuse.
Charpie sur les vêtements	Nettoyage insuffisant des vêtements	<ul style="list-style-type: none"> Quelquefois, les taches qui sont invisibles lorsque les articles sont mouillés apparaissent après le séchage. Utilisez les techniques de lavage appropriées avant de sécher les vêtements.
	Filtre à charpie plein	<ul style="list-style-type: none"> Nettoyez le filtre à charpie avant chaque utilisation.
	Tri incorrect	<ul style="list-style-type: none"> Séparez les tissus produisant de la charpie (comme la chenille) de ceux qui la recueillent (comme le velours côtelé).
	Charpie attirée par l'électricité statique	<ul style="list-style-type: none"> Voir les suggestions données à la section Électricité statique
	Surcharge	<ul style="list-style-type: none"> Divisez les grosses charges en brassées plus petites.
Électricité statique	Papier, papier-mouchoir, etc., oubliés dans les poches	<ul style="list-style-type: none"> Videz toutes les poches avant de laver les vêtements.
	Aucun produit assouplissant utilisé	<ul style="list-style-type: none"> Utilisez un produit assouplissant. Les feuilles d'assouplissant de tissus Bounce^{MD} pour sècheuses ont été approuvées pour toutes les sècheuses GE lorsqu'elles sont utilisées conformément aux directives du fabricant.
	Séchage excessif	<ul style="list-style-type: none"> Utilisez un produit assouplissant. Réglez l'option LESS DRY (MOINS SEC) OU DAMP DRY (SÉCHAGE PARTIEL)
Durée de séchage irrégulière	Les mélanges, les tissus synthétiques et sans repassage peuvent causer de l'électricité statique	<ul style="list-style-type: none"> Utilisez un produit assouplissant.
	Type de chaleur	<ul style="list-style-type: none"> Les durées de séchage automatique varient selon le type d'énergie utilisé (électricité ou gaz naturel ou de pétrole liquéfié), la grosseur de la brassée, le type de tissus, le degré d'humidité des vêtements et l'état des conduits d'évacuation.



Problème	Causes possibles	Correctifs
Les vêtements prennent trop de temps à sécher	Tri incorrect	<ul style="list-style-type: none"> • Séparez les articles lourds des articles légers (en général, lorsque la brassée est bien triée pour le lavage, elle l'est aussi pour le séchage.
	Grosses brassées d'articles lourds (comme des serviettes de plage)	<ul style="list-style-type: none"> • Les gros articles lourds retiennent davantage d'humidité et prennent plus de temps à sécher. Faites sécher de plus petites brassées pour accélérer le séchage.
	Commandes mal réglées	<ul style="list-style-type: none"> • Réglez les commandes en fonction de la brassée que vous faites sécher.
	Filtre à charpie plein	<ul style="list-style-type: none"> • Nettoyez le filtre avant chaque utilisation.
	Conduit d'évacuation inadéquat ou obstrué	<ul style="list-style-type: none"> • Vérifiez les Directives d'installation afin que le conduit d'évacuation soit adéquat. • Assurez-vous que le conduit est propre, qu'il n'est pas pincé ni obstrué. • Vérifiez si le volet de l'évent mural bouge librement. • Consultez les Directives d'installation pour vous assurer que l'air de la sècheuse est correctement évacué.
	Fusibles grillés ou disjoncteurs déclenchés	<ul style="list-style-type: none"> • Remplacez les fusibles ou réenclenchez les disjoncteurs. Comme la plupart des sècheuses nécessitent deux fusibles/disjoncteurs, assurez-vous que les deux sont en bon état.
	Surcharge/brassées mélangées	<ul style="list-style-type: none"> • Ne mettez qu'une brassée dans la sècheuse à la fois.
Les vêtements sont froissés	Brassée trop petite	<ul style="list-style-type: none"> • Lorsque vous ne faites sécher qu'un ou deux vêtements, ajoutez quelques articles pour assurer un culbutage adéquat.
	Séchage excessif	<ul style="list-style-type: none"> • Réglez une durée de séchage plus courte. • Retirez les vêtements de la sècheuse lorsqu'ils sont encore légèrement humides. Choisissez l'option LESS DRY (MOINS SEC) ou DAMP DRY (SÉCHAGE PARTIEL)
	Articles laissés dans la sècheuse après la fin du programme	<ul style="list-style-type: none"> • Retirez les articles de la sècheuse lorsque le programme est terminé. Pliez-les ou suspendez-les immédiatement.
Les vêtements rétrécissent	Surcharge	<ul style="list-style-type: none"> • Divisez les grosses charges en brassées plus petites.
	Certains tissus rétrécissent au lavage, d'autres peuvent être lavés en toute sécurité mais rétrécissent au séchage	<ul style="list-style-type: none"> • Pour éviter tout rétrécissement, suivez à la lettre les directives sur l'étiquette d'entretien des vêtements. • Certains articles peuvent retrouver leur forme d'origine après le séchage grâce à un pressage. • Lorsque vous ne savez pas si un article rétrécit ou non, ne le lavez pas ou ne le faites pas sécher à la machine.

Garantie de votre sècheuse GE.

www.electromenagersge.ca



Toutes les réparations sous garantie sont effectuées par nos centres de réparation ou nos réparateurs autorisés. Pour prendre rendez-vous, 24 heures par jour, 7 jours de semaine, composez le **1-800-561-3344**.

Agrafez ici votre facture. Il faut présenter une preuve de la date d'achat d'origine pour obtenir des réparations sous garantie.

Pendant une période de : GE remplacera :

Pendant un an
à compter de la date d'achat d'origine

Toute pièce de la sècheuse qui se révèle défectueuse en raison d'un vice de matières ou de fabrication. Au cours de cette **garantie complète de un an**, GE offrira également **sans frais** la main-d'œuvre et autres services connexes pour remplacer la pièce défectueuse.

Deuxième année
à compter de la date d'achat d'origine

Toute pièce de la sècheuse qui se révèle défectueuse en raison d'un vice de matières ou de fabrication. Au cours de cette **garantie limitée supplémentaire de un an**, vous devrez assumer tous les frais de main-d'œuvre et les frais connexes de service.

De la troisième à la cinquième
à compter de la date d'achat d'origine

Le tambour de la sècheuse

Si cette pièce se révèle défectueuse en raison d'un vice de matières ou de fabrication. Au cours de cette **garantie limitée supplémentaire de trois ans**, vous devrez assumer tous les frais de main-d'œuvre ou les frais connexes de service.

Ce qui n'est pas couvert :

- Toute visite à votre domicile pour vous expliquer le fonctionnement de l'appareil.
- Une installation, une livraison ou un entretien inadéquats.
- Toute défectuosité de l'appareil lorsqu'il est utilisé de façon abusive, à des fins commerciales ou à toute autre fin que celle pour laquelle il a été conçu.
- Le remplacement de l'ampoule.
- Le remplacement des fusibles ou le réenclenchement des disjoncteurs du panneau de distribution de la résidence.
- Tout dommage à l'appareil attribuable à un accident, un incendie, une inondation ou un cas de force majeure.
- Tout dommage direct ou indirect causé par une défectuosité possible de l'appareil.
- Tout dommage causé après la livraison.
- Non accessibilité de l'appareil pour effectuer les travaux de réparation.

EXCLUSION DES GARANTIES IMPLICITES – La réparation de l'appareil, comme stipulé dans la présente Garantie limitée, représente votre seul recours exclusif. Toutes les garanties implicites, y compris les garanties implicites de qualité marchande et de convenance à une fin en particulier, sont limitées à une période d'un an ou à la plus courte période permise par la loi.

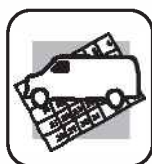
La présente garantie s'applique à l'acheteur original et à tout propriétaire subséquent d'un produit acheté au Canada à des fins résidentielles au Canada.

Garant : Mabe Canada Inc., Burlington, ON L7R 5B6



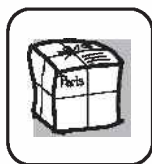
Site Web des électroménagers GE www.electromenagersge.ca

Vous avez une question ou besoin d'aide pour votre électroménager? Visitez le site Web des électroménagers GE 24 heures par jour, tous les jours de l'année! Pour plus de commodités et pour un service plus rapide, vous pouvez maintenant télécharger des Guides d'utilisation et d'entretien.



Service de réparation [1.800.561.3344](tel:18005613344)

Service de réparations GE est tout près de vous. Pour faire réparer votre électroménager GE, il suffit de nous téléphoner.



Pièces et accessoires www.electromenagersge.ca

Les gens qui désirent réparer eux-mêmes leurs électroménagers pouvant recevoir des pièces et des accessoires directement à la maison (cartes VISA, MasterCard et Discover acceptées). Please call 1-800-661-1616 or your local Mabe number.

Les directives données dans le présent manuel pouvant être suivies par n'importe quel utilisateur. Les autres réparations doivent généralement être confiées à un technicien qualifié. Soyez prudent, car une réparation inadéquate peut affecter le fonctionnement sécuritaire de l'appareil.



Contactez-nous www.electromenagersge.ca

Si vous n'êtes pas satisfait du service après-vente dont vous avez bénéficié :

Premièrement, communiquez avec les gens qui ont réparé votre appareil.

Ensuite, si vous n'êtes toujours pas satisfait envoyez tous les détails—numéro de téléphone compris—au Directeur, Relations avec les consommateurs, Mabe Canada Inc.

Bureau 310, 1 Factory Lane
Moncton, N.B. E1C 9M3



Enregistrez votre électroménager www.electromenagersge.ca

Enregistrez votre nouvel électroménager en ligne — au moment qui vous convient! L'enregistrement de votre appareil nous permettra d'améliorer les communications et notre service après-vente si jamais vous avez besoin de réparations pendant votre garantie. Vous pouvez également poster la fiche d'enregistrement imprimée fournie avec l'appareil.

Please place in envelope and mail to:
Veuillez mettre dans une enveloppe et envoyez à :

**OWNERSHIP REGISTRATION
P.O. BOX 1780
MISSISSAUGA, ONTARIO
L4Y 4G1**

(FOR CANADIAN CONSUMERS ONLY)



For Canadian
Customers



Pour les
Consommateurs
Canadiens

CUT ALONG THIS LINE AND RETURN CARD—THANKS

OWNERSHIP REGISTRATION CERTIFICATE – FICHE D'INSCRIPTION DU PROPRIÉTAIRE

Please register your product to enable us to contact you in the remote event a safety notice is issued for this product and to allow for efficient communication under the terms of your warranty, should the need arise.

Veillez enregistrer votre produit afin de nous permettre de communiquer avec vous si jamais un avis de sécurité concernant ce produit était émis et de communiquer facilement avec vous en vertu de votre garantie, si le besoin s'en fait sentir.

REGISTER ON-LINE: ENREGISTREMENT SUR INTERNET À:		www.geappliances.ca		MAIL TO: POSTER À:		P.O. BOX 1780, MISSISSAUGA ONTARIO, L4Y 4G1	
<input type="checkbox"/> MR./M	<input type="checkbox"/> MRS./MME	FIRST NAME / PRÉNOM		LAST NAME / NOM			
<input type="checkbox"/> MISS/MILLE	<input type="checkbox"/> MS.						
STREET NO / N° RUE		STREET NAME / RUE				APT. NO / APP. / RR#	
CITY / VILLE				PROVINCE		POSTAL CODE / POSTAL	
AREA CODE / IND. RÉG.		TELEPHONE		E-MAIL			
DID YOU PURCHASE A SERVICE CONTRACT FOR THIS APPLIANCE? AVEZ-VOUS ACHETÉ UN CONTRAT DE SERVICE POUR CET APPAREIL ?				YES / OUI <input type="checkbox"/>		IF YES / SI OUI: EXPIRATION	
				NO / NON <input type="checkbox"/>		Y/A M D/J	
NAME OF SELLING DEALER / NOM DU MARCHAND				MODEL / MODÈLE			
INSTALLATION DATE / DATE D'INSTALLATION		CORRESPONDENCE		<input type="checkbox"/> ENGLISH			
Y/A M D/J		CORRESPONDANCE		<input type="checkbox"/> FRANÇAIS		SERIAL / SÉRIE	
<input type="checkbox"/> I do not wish to receive any promotional offers regarding this product. <input type="checkbox"/> Je ne désire pas recevoir d'offres promotionnelles concernant ce produit.							