

GFMN240GL/GFMN245GL

GE® 7.0 cu. ft. stainless steel capacity frontload dryer

Dimensions and Installation Information (in inches)

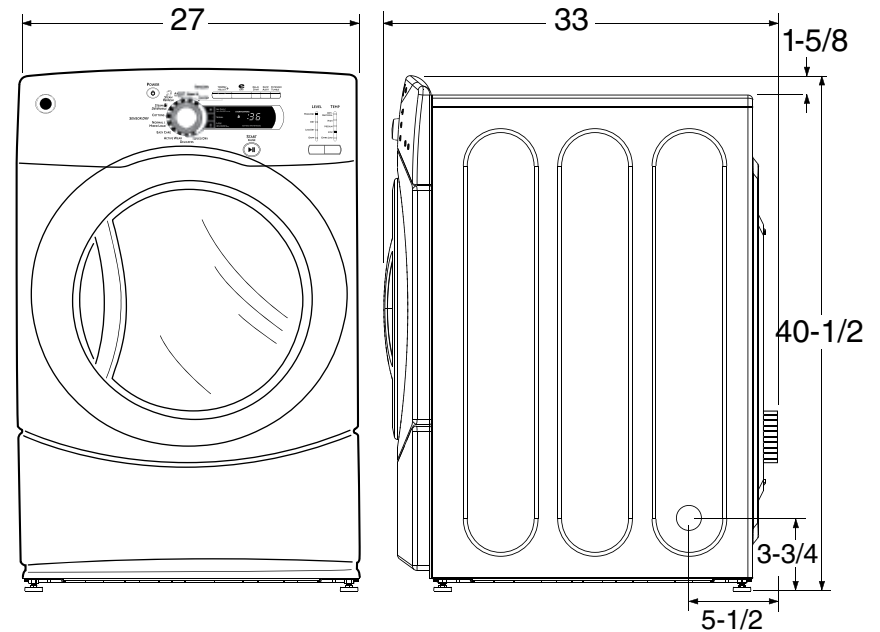
| Gas Dryer Rating | |
|------------------|----------|
| 120V | 60Hz, 6A |

Exhaust Options: 3-way via rear, left, and bottom.

Circuit Requirements: An individual, properly grounded branch circuit, protected by a 15-20 amp circuit breaker or a time-delay fuse, is required.

Note: Dryer wall outlet must be located within 36" of service cord entry and accessible when dryer is mounted in position.

Installation Information: For complete information, see installation instructions packed with your dryer.



For answers to your Monogram®, GE Profile™ or GE® appliance questions, visit our website at ge.com or call GE Answer Center® service, 800.626.2000.



GFMN240GL/GFMN245GL GE® 7.0 cu. ft. stainless steel capacity frontload dryer

Special Installation Requirements:

Stacked Installation:

Kit for stacking dryer over washer is not included with the dryer.
Order GEFLSTACK.

Alcove or Closet Installation:

- If your dryer is approved for installation in an alcove or closet, it will be stated on a label on the dryer back.
- The dryer MUST be exhausted to the outside.
- Minimum clearances between dryer cabinet and adjacent walls or other surfaces are: 0" either side, 3" front and rear
- Minimum vertical space from floor to overhead cabinets, ceilings, etc. is 52".
- Closet doors must be louvered or otherwise ventilated and must contain a minimum of 60 sq. in. of open area equally distributed. If this closet contains both a washer and a dryer, doors must contain a minimum of 120 sq. in. of open area equally distributed.
- No other fuel-burning appliance shall be installed in the same closet with a gas dryer.

Bathroom or Bedroom Installation:

- The dryer MUST be exhausted to the outdoors.
- The installation must conform with the local codes, or in the absence of local codes, with the National Electric Code and National Fuel Gas Code, ANSI Z223 for gas dryers.

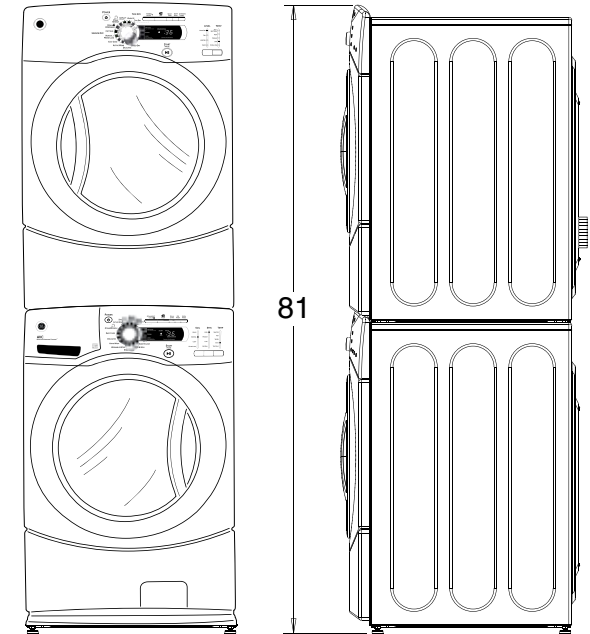
Minimum Clearance other than Alcove or Closet Installations:

- Minimum clearances to combustible surfaces 0" both sides, 3" rear.

**For more information on venting kits and accessories,
please call 1-800-GE-CARES.**

For answers to your Monogram®, GE Profile™ or
GE® appliance questions, visit our website at
ge.com or call GE Answer Center® service,
800.626.2000.

Stacked Dimensions (in inches)



imagination at work



GFMN240GL/GFMN245GL GE® 7.0 cu. ft. stainless steel capacity frontload dryer

Dryer Exhausting Information – Metal Duct Only

For complete information, see installation instructions packed with your dryer.

Ducting Materials: For best performance, this dryer should be vented with 4" diameter all rigid metal exhaust duct. If rigid metal duct cannot be used, then UL-listed flexible metal (semi-rigid) ducting can be used (Kit WX08X10077). In special installations, it may be necessary to connect the dryer to the house vent using a flexible metal (foil-type) duct. A UL-listed flexible metal (foil-type) duct may be used **ONLY** in installations where rigid metal or flexible metal (semi-rigid) ducting cannot be used **AND** where a 4" diameter can be maintained throughout the entire length of the transition duct. Please see installation instruction packed with your dryer for complete instructions when using flexible metal (foil type) ducting.

Exhaust Length Calculation:

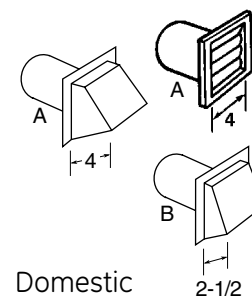
1. Determine the number of 90° turns needed for your installation. If you exhaust to the side or bottom of dryer, add one turn.
2. The maximum length of 4' rigid (aluminum or galvanized) duct which can be tolerated is shown in the table.
 - A turn of 45° or less may be ignored. Two 45° turns within the duct length should be treated as a 90° elbow.
 - A turn over 45° should be treated as a 90° elbow.

Dryers **must** be exhausted to the outside.

Caution: For personal safety do not terminate exhaust into a chimney, under any enclosed house floor (crawl space), or into an attic, since the accumulated lint could create a fire hazard or moisture could cause damage. Never terminate the exhaust into a common duct or plenum with a kitchen exhaust, since the combination of lint and grease could create a fire hazard.

Exhaust ducts should be terminated in a dampered wall cap to prevent back drafts, bird nesting, etc. The wall cap must also be located at least 12" above the ground or any other obstruction with the opening pointed down.

For more information on venting kits and accessories, please call 1-800-GE-CARES.



| Domestic dryer models | Number of 90° turns | Best performance | |
|--|---------------------|--|------------------------|
| | | Maximum length of 4" dia. rigid metal duct | |
| | | Exhaust hood type | |
| | | A 4" opening | B 2-1/2" opening |
| 7.0, 6.0 and 5.8 cu. ft. capacity models | 0 | 90 ft. | 60 ft. |
| all gas dryers | 1 | 60 ft. | 45 ft. |
| | 2 | 45 ft. | 35 ft. |
| | 3 | 35 ft. | 25 ft. |



imagination at work



GFMN240GL/GFMN245GL

GE® 7.0 cu. ft. stainless steel capacity frontload dryer

Features and Benefits

- Sensor Dry Plus™ - Innovative moisture-sensing technology helps maintain quality
- eDry option - Energy-saving option reduces dry temperatures on select cycles without sacrificing performance
- Active Wear cycle - Specific settings to take special care of clothing worn for active sports exercise
- My Cycles - Custom cycle that can be set for specific or frequent needs
- Speed Dry - Quickly dries items and small loads for families on the go
- 1- 24-hour Delay Start - Set the dryer to begin cycles whenever it's convenient for you
- Up to 90 ft. venting capability - Has long equivalent ducting performance for more flexible installation
- Interior dryer light - Convenient interior light helps you easily see clothes
- Model GFMN245GLMS – Metallic silver
- Model GFMN240GLWW – White on white
- Model GFMN245GLMV – Vermillion Red

