



# Washers

*Safety Instructions* ..... 2, 3

***Operating Instructions***

Control Panels ..... 4-5  
Control Settings ..... 6  
Fabric Care Labels ..... 11  
Features ..... 7, 8  
Loading and Using the Washer ... 9, 10

***Installation Instructions*** ..... 12-17

Drain Requirements ..... 15  
Electrical Requirements ..... 15  
Installing the Washer ..... 16, 17  
Location of Your Washer ..... 13  
Preparing to Install Your Washer ... 12  
Replacement Parts ..... 17  
Rough-In Dimensions ..... 13  
Unpacking Your Washer ..... 14  
Water Supply Requirements ..... 15

***Troubleshooting Tips*** ..... 18-20

***Consumer Support***

Service Telephone Numbers Back Cover  
Warranty (Canada) ..... 22  
Warranty (U.S.) ..... 21



As an ENERGY STAR® partner, GE has determined that this product meets the ENERGY STAR® guidelines for energy efficiency.

**Write the model and serial numbers here:**

**Model #** \_\_\_\_\_

**Serial #** \_\_\_\_\_

You can find them on a label on the side of the washer.

**Owner's Manual & Installation Instructions**

- GBVH6260
- GCVH6260
- WCVH6260
- WBVH6240
- WHDVH626

## Laveuses

**Manuel d'utilisation et d'installation**

La section française commence à la page 23

## Lavadoras

**Manual del propietario e instalación**

La sección en español empieza en la página 47



# IMPORTANT SAFETY INFORMATION. READ ALL INSTRUCTIONS BEFORE USING.

**⚠ WARNING!** For your safety, the information in this manual must be followed to minimize the risk of fire or explosion, electric shock, or to prevent property damage, personal injury, or loss of life.

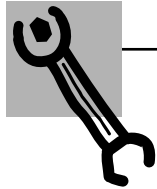
The instructions in this manual and all other literature included with this washer are not meant to cover every possible condition and situation that may occur. Good, safe practices and caution **MUST** be applied when installing, operating, and maintaining any appliance.



## WATER HEATER SAFETY

Under certain conditions hydrogen gas may be produced in a water heater that has not been used for two weeks or more. Hydrogen gas can be explosive under these circumstances.

If the hot water has not been used for two weeks or more, prevent the possibility of damage or injury by turning on all hot water faucets and allowing them to run for several minutes. Do this before using any electrical appliance which is connected to the hot water system. This simple procedure will allow any built-up hydrogen gas to escape. Since the gas is flammable, do not smoke or use an open flame or appliance during this process.



## PROPER INSTALLATION

This washer must be properly installed and located in accordance with the Installation Instructions before it is used.

- Install or store where it will not be exposed to temperatures below freezing or exposed to the weather, which could cause permanent damage and invalidate the warranty.
- Properly ground washer to conform with all governing codes and ordinances. Follow details in Installation Instructions.



## YOUR LAUNDRY AREA

- Keep the area underneath and around your appliances free of combustible materials such as lint, paper, rags and chemicals.
- Close supervision is necessary if this appliance is used by or near children. Do not allow children to play on, with, or inside this or any other appliance.
- Do not leave the washer door open. An open door could entice children to hang on the door or crawl inside the washer.



## WHEN USING THE WASHER

Use this appliance only for its intended purpose as described in this Owner's Manual.

- Never reach into washer while it is moving. Wait until the machine has completely stopped before opening the door.
- Do not mix chlorine bleach with ammonia or acids such as vinegar and/or rust remover. Mixing different chemicals can produce a toxic gas which may cause death.
- Do not wash or dry articles that have been cleaned in, washed in, soaked in, or spotted with combustible or explosive substances (such as wax, oil, paint, gasoline, degreasers, dry-cleaning solvents, kerosene, etc.) which may ignite or explode. Do not add these substances to the wash water. Do not use or place these substances around your washer or dryer during operation.
- The laundry process can reduce the flame retardancy of fabrics. To avoid such a result, carefully follow the garment manufacturer's wash and care instructions.
- To minimize the possibility of electric shock, unplug this appliance from the power supply or disconnect the washer at the building's distribution panel by removing the fuse or switching off the circuit breaker before attempting any maintenance or cleaning.  
**NOTE:** Pressing the power button does **NOT** disconnect the appliance from the power supply.
- Never attempt to operate this appliance if it is damaged, malfunctioning, partially disassembled, or has missing or broken parts, including a damaged cord or plug.
- Do not slam the washer door closed. Do not try to force the door open when locked (LOCKED indicator ON). This could result in damage to the washer.
- The washer is equipped with an electrical overload protector. The motor will stop if it becomes overheated. The washer will automatically restart after a cool-down period of up to 2 hours, if the washer has not been manually turned off during this time.



## WHEN NOT IN USE

- Turn off water faucets to relieve pressure on hoses and valves and to minimize leakage if a break or rupture should occur. Check the condition of the fill hoses; they should be replaced every 5 years.
- Before discarding a washer, or removing it from service, remove the washer door to prevent children from hiding inside.
- Do not attempt to repair or replace any part of this appliance unless specifically recommended in this Owner's Manual, or in published user-repair instructions that you understand and have the skills to carry out.
- Do not tamper with controls.

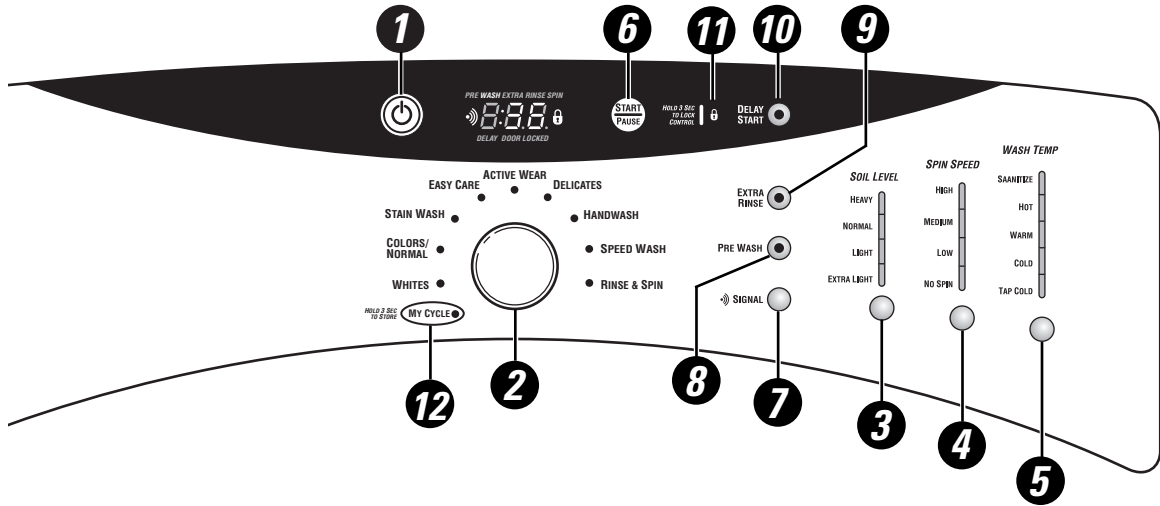


**READ AND FOLLOW THIS SAFETY INFORMATION CAREFULLY.  
SAVE THESE INSTRUCTIONS**

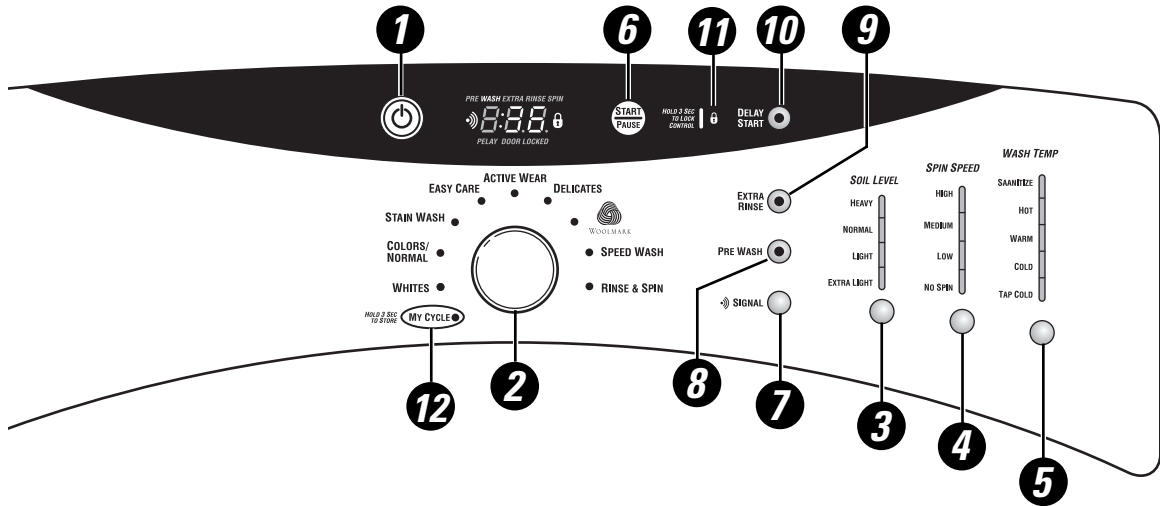
# About the washer control panel.

You can locate your model number on a label on the side of the washer.

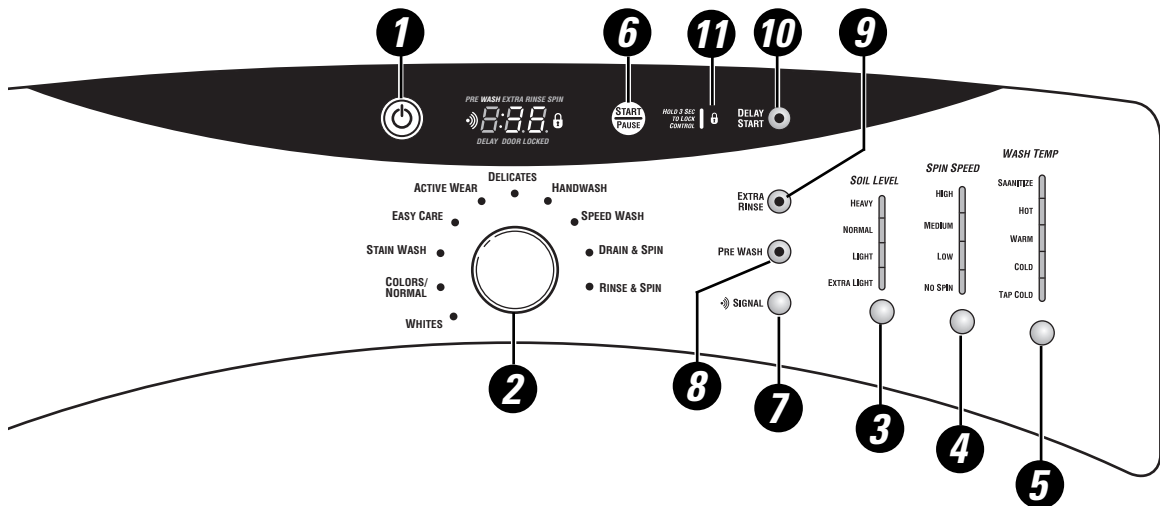
## Model WCVH6260



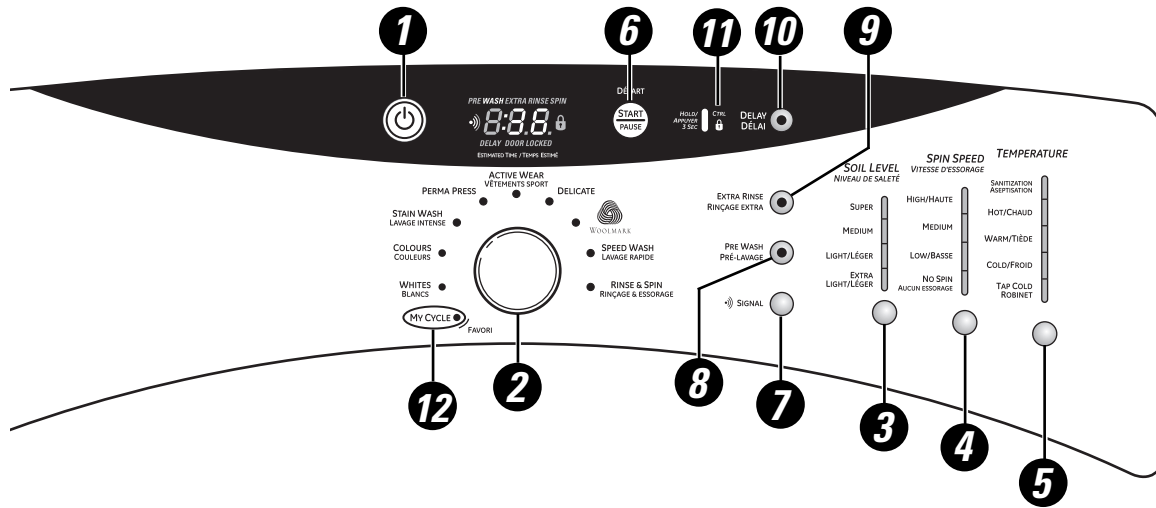
## Model WHDVH626



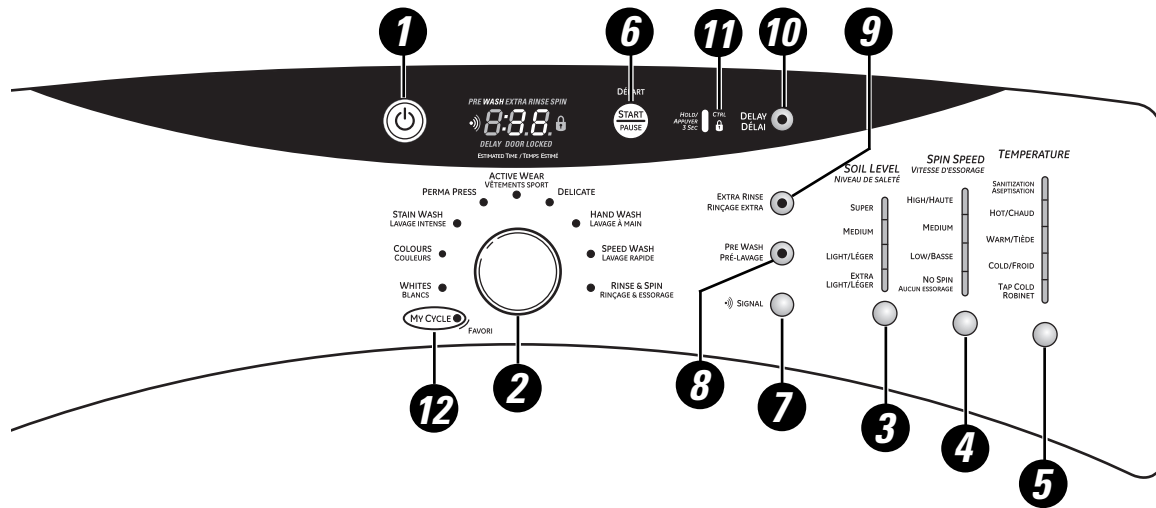
## Model WBVH6240



Model GBVH6260



Model GCVH6260




- 1 Power**  
Press to “wake up” the display. If the display is active, press to put the washer into standby mode.  
**NOTE:** Pressing **POWER** does not disconnect the appliance from the power supply.

## About the washer control panel.

2

### Wash Cycles

The wash cycles are optimized for specific types of wash loads. The chart below will help you match the wash setting with the loads.

<b>WHITES</b>	For heavily to lightly soiled white cottons, household linens, work and play clothes.
<b>COLORS/NORMAL</b>	For heavy to lightly soiled colorfast cottons, household linens, work and play clothes.
<b>STAIN WASH</b>	For heavy soiled colorfast cottons, household linens, work and play clothes.
<b>EASY CARE (PERMA PRESS)</b>	For wrinkle-free and permanent press items.
<b>ACTIVE WEAR</b>	For active sports, exercise and some casual wear clothes. Fabrics include modern technology finishes and fibers such as spandex, stretch and micro-fibers.
<b>DELICATES</b>	For lingerie and special-care fabrics with light to normal soil. Provides gentle tumbling and soak during wash and rinse.
<b>HANDWASH</b>	For items labeled hand-washable with light soils. Provides gentle rocking to mimic the handwashing action.
<b>WOOLMARK</b>	The wool wash cycle of this machine has been approved by Woolmark for the washing of machine washable Woolmark products provided that they are washed according to the instructions on the garment label and those issued by the manufacturer of this washing machine (M0510).
 WOOLMARK	When selecting this cycle, you must use a detergent suitable for washing wool.
<b>MY CYCLE</b>	Press to use, create, or modify custom wash cycles.
<b>SPEED WASH</b>	For lightly soiled items that are needed in a hurry. Cycle time is approximately 30 minutes, depending on selected options.
<b>DRAIN &amp; SPIN</b>	Drain and spin at any time.
<b>RINSE &amp; SPIN</b>	To quickly rinse out any items at any time.

3

### Soil Level

Changing the SOIL LEVEL increases or decreases the wash time to remove different amounts of soil.

To change the SOIL LEVEL, press the **SOIL LEVEL** button until you have reached the desired setting. You can choose between Extra Light, Light, Normal or Heavy soil.

4

### Spin Speed

Changing the SPIN SPEED changes the final spin speed of the cycles. Always follow the fabric manufacturer's care label when changing the SPIN SPEED.

To change the SPIN SPEED, press the **SPIN SPEED** button until you have reached the desired setting. Higher spin speeds are not available on certain cycles, such as Delicates.

Higher spin speeds remove more water from the clothes and will help reduce dry time, but may also increase the possibility of setting wrinkles on some fabrics.

5

### Wash Temp

Adjust to select the proper water temperature for the wash cycle. The prewash and rinse water is always cold to help reduce energy usage and reduce setting of stains and wrinkles.

Follow the fabric manufacturer's care label when selecting the wash temperature.

To change the wash temperature, press the **WASH TEMP** button until you have reached the desired setting. The Sanitized wash temperature is not available on certain cycles, such as Delicates.

When selecting the Sanitize wash temperature, the washer increases the water temperature to sanitize and kill more than 99% of many common bacteria found in home laundry. The sanitize wash temperature is only available on Stain Wash and Whites Wash cycles. For best results, select the heavy soil setting when using the Sanitize wash temperature setting.

**NOTE:** The first 10 seconds of the wash fill is always cold. This feature assists in conditioning the fabric and preventing stains from setting on garments.

6

### START/PAUSE

Press to start a wash cycle. If the washer is running, pressing it once will pause the washer and unlock the door. Press again to restart the wash cycle.

**NOTE:** If the washer is paused and the cycle is not restarted within 2 hours, the current wash cycle will be cancelled.

# About the washer features.

NOTE: Features may not be available on all washer models.

ge.com



## Cycle Signal

Use the **SIGNAL** button to change the volume of the end of cycle signal.

Press the button until you reach the desired volume.



## Prewash

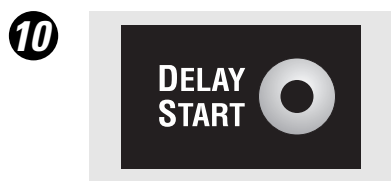
Prewash is an extra wash before the main wash. Use it for heavily soiled clothes or for clothes with a care label that recommends prewashing before washing. Be sure to add high-efficiency detergent, or the proper wash additive to the prewash dispenser.

**NOTE:** When selecting prewash, it is recommended to use powder detergent in the main wash (detergent) compartment.



## Extra Rinse

Use an extra rinse when additional rinsing is desired to remove excess dirt and detergent from soiled loads.

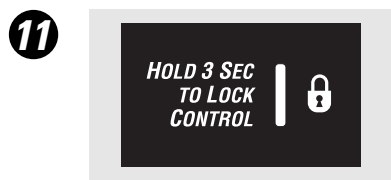


## Delay Start

You can delay the start of a wash cycle for up to 12 hours. Press the **DELAY START** button to choose the number of hours you want to delay the start of the cycle, then press the **START** button. The machine will count down and start automatically at the correct time.

**NOTE:** If you forget to fully close the door, a reminder signal will beep reminding you to do so.

**NOTE:** If you open the door when the delay is counting down, the machine will enter the pause state. You must close the door and press **START** again in order to restart the countdown.



## Lock

You can lock the controls to prevent any selections from being made. Or you can lock the controls after you have started a cycle.

To lock the washer, press and hold the lock button for 3 seconds. To unlock the washer controls, press and hold the lock button for 3 seconds.

*Children cannot accidentally start the washer by touching pads with this option selected.*

The control lock icon on the display will light up when it is on.

**NOTE:** The **POWER** button can still be used when the machine is locked.



## MY CYCLE

To save a favorite cycle, set the desired settings and hold down the **MY CYCLE** button for 3 seconds. A beep will sound to indicate the cycle has been saved.

**NOTE:** When using **MY CYCLE**, wash options cannot be modified after the cycle has been started.

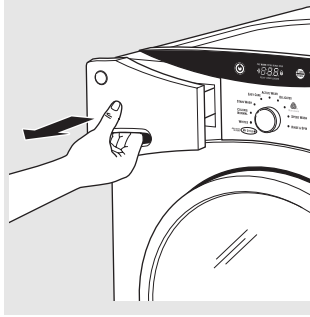
To use your custom cycle, press the **MY CYCLE** button before washing a load.

**NOTE:** If you change wash options with **MY CYCLE** before starting the cycle, the **MY CYCLE** light will turn off and you will be returned to the base cycle.

To change the saved cycle, set the desired settings and hold down the **MY CYCLE** button for 3 seconds.

# About the washer features.

*NOTE: Features may not be available on all washer models.*

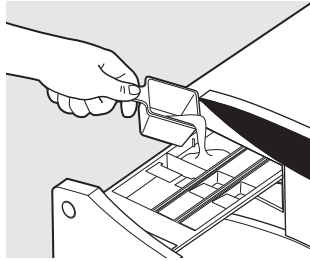


## The Dispenser Drawer

Slowly open the dispenser drawer by pulling it out until it stops.

After adding laundry products, slowly close the dispenser drawer. Closing the drawer too quickly could result in early dispensing of the bleach, fabric softener or detergent.

You may see water in the bleach and fabric softener compartments at the end of the cycle. This is a result of the flushing/siphoning action and is part of the normal operation of the washer.

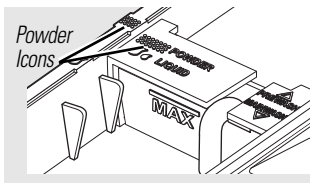


## The Prewash Compartment

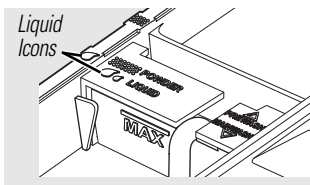
- Only use the Prewash Compartment if you are selecting the Prewash cycle for heavily soiled clothes. Add measured detergent or prewash additive to the back left prewash compartment of the dispenser drawer.
- Detergent or prewash additive is flushed from the dispenser in the prewash cycle (if selected).

**NOTE:** Liquid detergent will drain into the washer drum as it is added.

- Detergent usage may need to be adjusted for water temperature, water hardness, size and soil level of the load. Avoid using too much detergent in your washer as it can lead to over sudsing and detergent residue being left on the clothes.



Insert in rear position for powder detergent



Insert in forward position for liquid detergent

## The Detergent Compartment

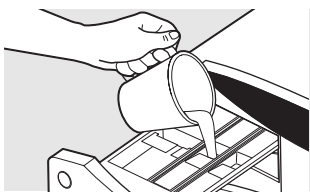
- High efficiency detergent is recommended for this washer. Use the detergent manufacturer's recommended amount.

The detergent selection insert must be placed in the detergent compartment in a specific position according to what type of detergent you are using.


- Powder Detergent** – Place the insert in the rear position. The Powder Icons ☼☼☼☼ must line up on center when the insert is in the powder position.
- Liquid Detergent** – Place the insert in the forward position. The Liquid Icons ☪ must line up on center when the insert is in the liquid position.

Move the insert by pulling it up and replace it by sliding it down between either the rear or front detergent compartment molded rails, as desired, for powder or liquid detergent.

- Add measured detergent to the front left detergent compartment of the dispenser drawer.
- Detergent is flushed from the dispenser at the beginning of the wash cycle. Either powdered or liquid detergent can be used.
- Detergent usage may need to be adjusted for water temperature, water hardness, size and soil level of the load. Avoid using too much detergent in your washer as it can lead to oversudsing and detergent residue being left on the clothes.

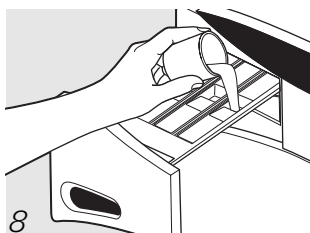


## The Liquid Bleach Compartment

If desired, measure out the recommended amount of liquid bleach, not to exceed 1/3 cup (80 ml) and pour into the center compartment labeled "LIQUID BLEACH" marked with this symbol .

Do not exceed the maximum fill line. Overfilling can cause early dispensing of the bleach which could result in damaged clothes.

**NOTE:** Do not use powdered bleach in the dispenser.



## The Fabric Softener Compartment

If desired, pour the recommended amount of liquid fabric softener into the compartment labeled "FABRIC SOFTENER."

Use only liquid fabric softener in the dispenser.

Dilute with water to the maximum fill line.

Do not exceed the maximum fill line. Overfilling can cause early dispensing of the fabric softener which could stain clothes.

**NOTE:** Do not pour fabric softener directly on the wash load.



# Loading and using the washer.

Always follow fabric manufacturer's care label when laundering.

ge.com



## Sorting Wash Loads

Sort laundry into loads that can be washed together.

Colors	Soil	Fabric	Lint
Whites	Heavy	Delicates	Lint Producers
Lights	Normal	Easy Care	Lint Collectors
Darks	Light	Sturdy Cottons	

- Combine large and small items in a load. Load large items first. Large items should not be more than half the total wash load.
- Washing single items is not recommended. This may cause an out-of-balance load. Add one or two similar items.
- Pillows and comforters should not be mixed with other items. This may cause an out-of-balance load.



## Loading the Washer

Wash drum may be fully loaded with loosely added items. **Do not wash fabrics containing flammable materials (waxes, cleaning fluids, etc.).**

To add items after washer has started, press **START/PAUSE** and wait until the door is unlatched. The washer may take up to 30 seconds to unlock the door after pressing **START/PAUSE** depending on the machine conditions. Do not try to force open the door when it is locked. After the door unlocks, open gently. Add items, close the door and press **START/PAUSE** to restart.



## Care and Cleaning

**Exterior:** Immediately wipe off any spills. Wipe with damp cloth. Do not hit surface with sharp objects.

**Interior:** Dry around the washer door opening, flexible gasket (including attached hoses) and door glass. These areas should always be clean to ensure a water tight seal.

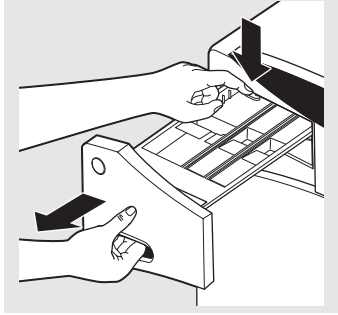
It is recommended to rinse the washer at least once per year with 1/3 cup of bleach (no clothes), using any of the wash cycles.

**Moving and Storage:** Ask the service technician to remove water from drain pump and hoses. Do not store the washer where it will be exposed to the weather. When moving the washer, the tub should be kept stationary by using the shipping bolts removed during installation. See Installation Instructions in this book. If these parts are not available, they can be ordered by visiting our Website at [www.ge.com](http://www.ge.com) or by calling 800.GE.CARES.

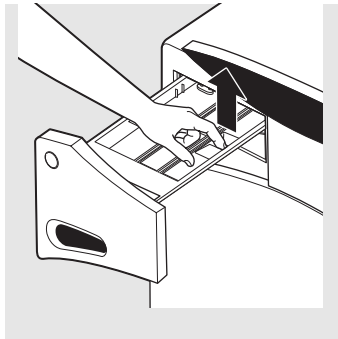
**Long Vacations:** Be sure water supply is shut off at faucets. Drain all water from hoses if weather will be below freezing.

## Loading and using the washer.

Always follow fabric manufacturer's care label when laundering.



Lock tab is visible only after drawer has been pulled out



**Dispenser Drawer Area:** Detergent and fabric softener may build up in the dispenser drawer. Residue should be removed once or twice a month.

- Remove the drawer by first pulling it out until it stops. Then reach back into the left rear corner of the drawer cavity and press down firmly on the lock tab, pulling out the drawer.

- Remove the inserts from the bleach and fabric softener compartments and the detergent insert. Rinse the inserts and the drawer with hot water to remove traces of accumulated laundry products.

- To clean the drawer opening, use a small brush to clean the recess. Remove all residue from the upper and lower parts of the recess.
- Return inserts to the proper compartments. Replace the dispenser drawer.



## Fabric Care Labels

Below are fabric care label “symbols” that affect the clothing you will be laundering.

### WASH LABELS

<i>Machine wash cycle</i>						
	Normal	Permanent Press/ wrinkle resistant	Gentle/ delicate	Hand wash	Do not wash	Do not wring
<i>Water temperature</i>						
	Hot (50°C/120°F)	Warm (40°C/105°F)	Cold/cool (30°C/85°F)			

### BLEACH LABELS

<i>Bleach symbols</i>			
	Any bleach (when needed)	Only non-chlorine bleach (when needed)	Do not bleach

# Installation Instructions

# Washer

Models **GBHV6260**  
**GCVH6260**  
**WCVH6260**  
**WBVH6240**  
**WHDVH626**

*If you have any questions, call 800.GE.CARES (800.432.2737) or visit our Website at: [ge.com](http://ge.com)*

## BEFORE YOU BEGIN

Read these instructions completely and carefully.

- **IMPORTANT** – Save these instructions for local inspector's use.
- **IMPORTANT** – Observe all governing codes and ordinances.
- **Note to Installer** – Be sure to leave these instructions with the Consumer.
- **Note to Consumer** – Keep these instructions for future reference.
- **Skill level** – Installation of this appliance requires basic mechanical and electrical skills.
- **Completion time** – 1-3 hours
- Proper installation is the responsibility of the installer.
- Product failure due to improper installation is not covered under the Warranty.

## FOR YOUR SAFETY:

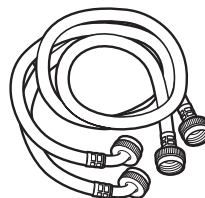
### ⚠ WARNING

- This appliance must be properly grounded and installed as described in these *Installation Instructions*.
- Do not install or store appliance in an area where it will be exposed to water/weather. See *Location of Your Washer* section.
- **NOTE: This appliance must be properly grounded, and electrical service to the washer must conform with local codes and ordinances and the latest edition of the National Electrical Code, ANSI/NFPA 70.**

## TOOLS REQUIRED FOR WASHER INSTALLATION

- 1/4" nut driver
- 3/8" socket with ratchet
- 3/8" open-end wrench
- Adjustable wrench or 7/16" socket with ratchet
- Adjustable wrench or 9/16" open-end wrench
- Channel-lock adjustable pliers
- Carpenter's level

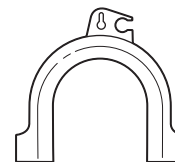
## PARTS SUPPLIED



Water Hoses (2)



Cable Tie



Hose Guide

# Installation Instructions

## LOCATION OF YOUR WASHER

### Do Not Install the Washer:

1. In an area exposed to dripping water or outside weather conditions. The ambient temperature should never be below 60°F (15.6°C) for proper washer operation.
2. In an area where it will come in contact with curtains or drapes.
3. On carpet. The floor **MUST** be a hard surface with a maximum slope of 1/2" per foot (1.27 cm per 30 cm). To make sure the washer does not vibrate or move, you may have to reinforce the floor.

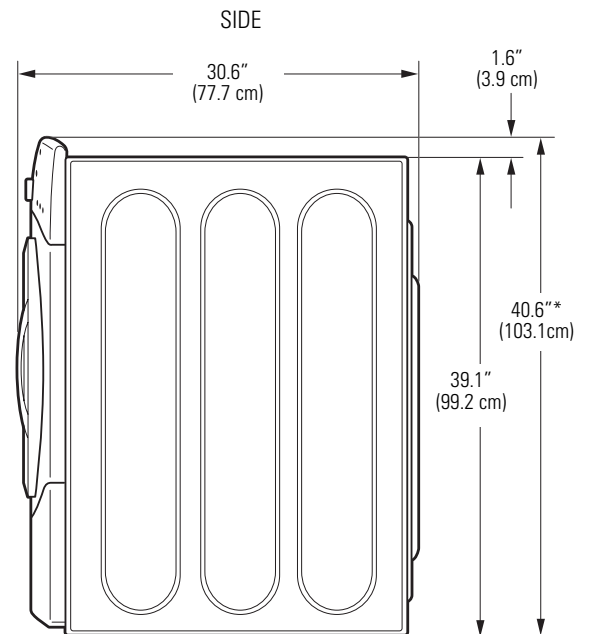
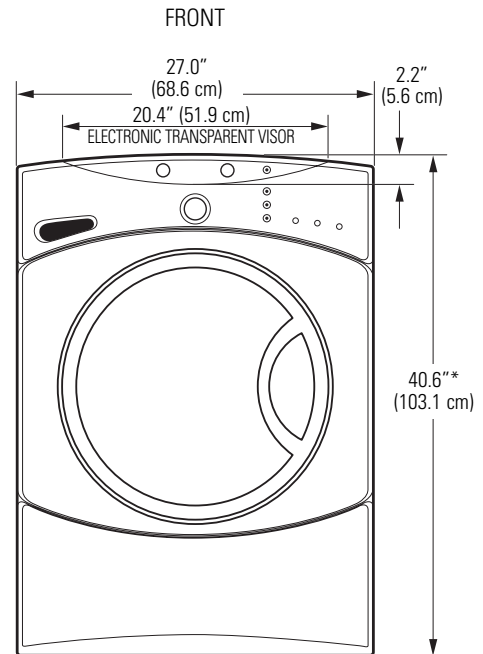
**NOTE:** If floor is in poor condition, use 3/4" impregnated plywood sheet solidly attached to existing floor covering.

### IMPORTANT:

#### Minimum Installation Clearances

- When installed in alcove: Sides, Rear, Top = 0" (0 cm)
- When installed in closet: Sides, Rear, Top = 0" (0 cm), Front = 1" (2.54 cm)
- Closet door ventilation openings required: 2 louvers each 60 square in. (387 cm<sup>2</sup>), located 3" (7.6 cm) from top and bottom of door

## ROUGH-IN DIMENSIONS



\*NOTE: With pedestal, 52.6"  
Stacked, 84"

# Installation Instructions

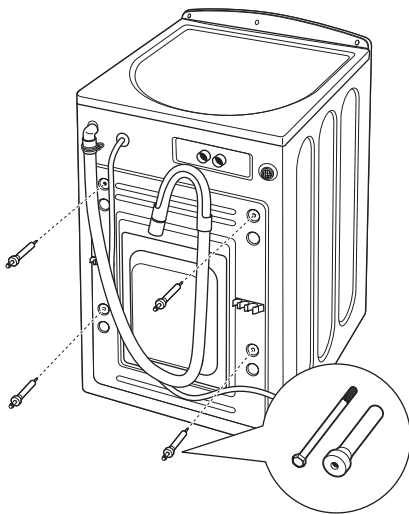
## UNPACKING THE WASHER

**⚠ WARNING:** Recycle or destroy the carton and plastic bags after the washer is unpacked. Make materials inaccessible to children. Children might use them for play. Cartons covered with rugs, bedspreads, or plastic sheets can become airtight chambers causing suffocation.

1. Cut and remove the top and bottom packaging straps.
2. While it is in the carton, carefully lay the washer on its side. **DO NOT** lay the washer on its front or back.
3. Turn down the bottom flaps—remove all base packaging, including the cardboard, styrofoam base and styrofoam tub support (inserted in center of base).

**NOTE:** If you are installing a pedestal, proceed to the installation instructions that come with the pedestal.

4. Carefully return the washer to an upright position and remove the carton.
5. Carefully move the washer to within 4 feet (122 cm) of the final location.
6. Remove the following from the back side of the washer:
  - 4 bolts
  - 4 plastic spacers (including rubber grommets)
  - 4 power cord retainers



**NOTE:** Failure to remove the shipping braces can cause the washer to become severely unbalanced.

**Save all bolts for future use.**

**NOTE:** If you must transport the washer at a later date, you must reinstall the shipping support hardware to prevent shipping damage. Keep the hardware in the plastic bag provided.

# Installation Instructions

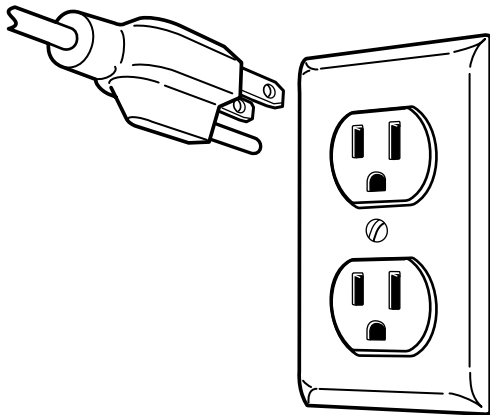
## ELECTRICAL REQUIREMENTS

Read these instructions completely and carefully.

**CIRCUIT** – Individual, properly polarized and grounded 15-amp branch circuit fused with 15-amp time-delay fuse or circuit breaker.

**POWER SUPPLY** – 2-wire, with ground, 120-volt, single-phase, 60-Hz, Alternating Current.

**OUTLET RECEPTACLE** – Properly grounded 3-prong receptacle to be located so the power supply cord is accessible when the washer is in an installed position.

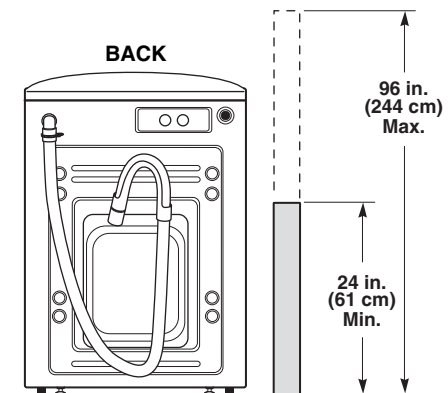


## WATER SUPPLY REQUIREMENTS

Hot and cold water faucets **MUST** be installed within 42 inches (107 cm) of your washer's water inlet. The faucets **MUST** be 3/4" (1.9 cm) garden hose-type so inlet hoses can be connected. Water pressure **MUST** be between 10 and 120 pounds per square inch. Your water department can advise you of your water pressure. The hot water temperature should be set to deliver water at 120° to 140°F (48°–60°C).

## DRAIN REQUIREMENTS

1. Drain capable of eliminating 17 gals (64.3 L) per minute.
2. A standpipe diameter of 1 1/4" (3.18 cm) minimum.
3. The standpipe height above the floor should be:  
Minimum height: 24" (61 cm)  
Maximum height: 96" (244 cm)



**NOTE:** The drain hose attached to the washer can reach a 58" (147 cm) high standpipe. For a higher standpipe, contact an authorized parts distributor.

## GROUNDING REQUIREMENTS

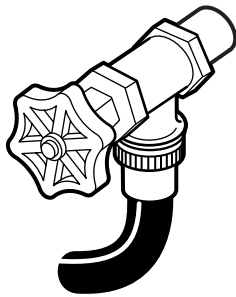
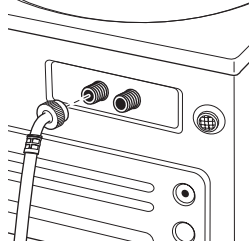
**⚠ WARNING:** Improper connection of the equipment grounding conductor can result in a risk of electrical shock. Check with a licensed electrician if you are in doubt as to whether the appliance is properly grounded.

1. The washer **MUST** be grounded. In the event of malfunction or breakdown, grounding will reduce the risk of electrical shock by providing a path of least resistance for electrical current.
2. Since your washer is equipped with a power supply cord having an equipment-grounding conductor and a grounding plug, the plug **MUST** be plugged into an appropriate, copper-wired receptacle that is properly installed and grounded in accordance with all local codes and ordinances or in the absence of local codes, with the National Electrical Codes, ANSI/NFPA 70 (latest edition). If in doubt, call a licensed electrician. **DO NOT** cut off or alter the grounding prong on the power supply cord. In situations where a two-slot receptacle is present, it is the owner's responsibility to have a licensed electrician replace it with a **properly grounded** three-prong grounding-type receptacle.

# Installation Instructions

## INSTALLING THE WASHER

1. Run some water from the hot and cold faucets to flush the water lines and remove particles that might clog up the water valve screens.
2. Remove the inlet hoses from the plastic bag.
3. (90° elbow end)  
Carefully connect the inlet hose marked HOT to the outside "H" outlet of the water valve. Tighten by hand, then tighten another 2/3 turn with pliers. Carefully connect the other inlet hose to the inside "C" outlet of the water valve. Tighten by hand; then tighten another 2/3 turn with pliers. **Do not crossthread or over-tighten these connections.**
4. Connect the inlet hose ends to the HOT and COLD water faucets tightly by hand, then tighten another 2/3 turn with pliers. Turn the water on and check for leaks.

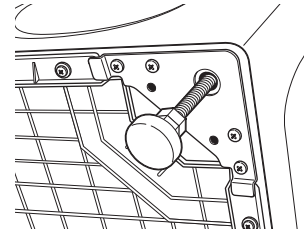


5. Carefully move the washer to its final location. Gently rock the washer into position.

**NOTE:** Do not use the dispenser drawer or door to lift the washer.

**NOTE:** If you are installing into a drain pan, you can use a 24-inch long 2x4 to lever the washer into place.

6. With the washer in its final position, place a level on top of the washer (if the washer is installed under a counter, the washer should not be able to rock). Adjust the front leveling legs up or down to ensure the washer is resting solid. Turn the lock nuts on each leg up towards the base of the washer and snug with a wrench.



**NOTE:** Keep the leg extension at a minimum to prevent excessive vibration. The farther out the legs are extended, the more the washer will vibrate.

If the floor is not level or is damaged, you may have to extend the rear leveling legs.

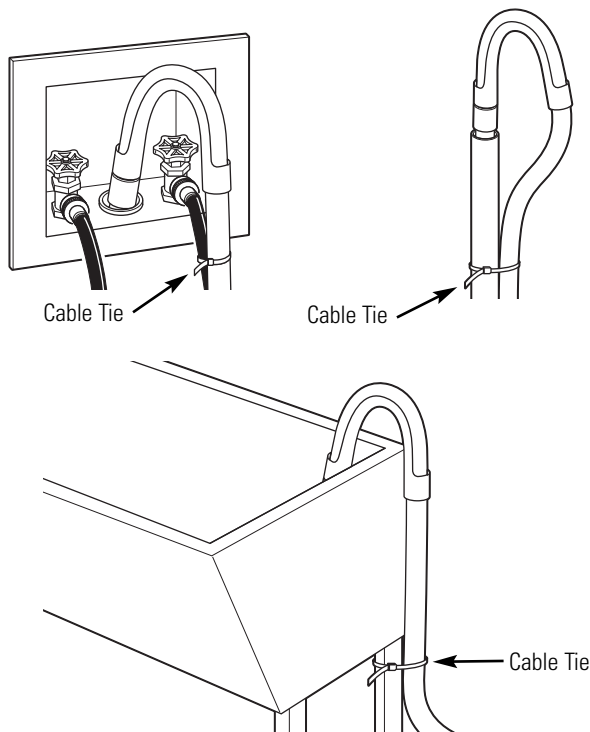


# Installation Instructions

## INSTALLING THE WASHER (cont.)

7. Attach U-shaped hose guide to the end of the drain hose. Place the hose in a laundry tub or standpipe and secure it with the cable tie provided in the enclosure package.

**NOTE:** If the drain hose is placed in a standpipe without forming a U shape, a siphoning action could occur. There must be an air gap around the drain hose. A snug hose fit can also cause a siphoning action.



8. Plug the power cord into a grounded outlet.

**NOTE:** Check to be sure the power is off at a circuit breaker/fuse box before plugging the power cord into an outlet.

9. Turn on the power at a circuit breaker/fuse box.

10. Read the rest of this Owner's Manual. It contains valuable and helpful information that will save you time and money.

**11. Before starting the washer, check to make sure:**

- Main power is turned on.
- The washer is plugged in.
- The water faucets are turned on.
- The unit is level.
- The shipping support hardware is removed and saved.
- The drain hose is properly tied up.
- There are no leaks at the faucet, drain line or washer.

12. Run the washer through a complete cycle. Check for water leaks and proper operation.

13. If your washer does not operate, please review the *Before You Call For Service* section before calling for service.

14. Place these instructions in a location near the washer for future reference.

## REPLACEMENT PARTS

If replacement parts are needed for your washer, they can be ordered in the United States by visiting our Website at [ge.com](http://ge.com) or by calling 800.GE.CARES.

## Before you call for service...



**Troubleshooting Tips**  
Save time and money! Review the charts on the following pages first and you may not need to call for service.

<b>WATER</b>	<b>Possible Causes</b>	<b>What To Do</b>
<b>Water leaks</b>	<b>Fill hoses or drain hose is improperly connected</b>	<ul style="list-style-type: none"> <li>• Make sure hose connections are tight at washer and faucets and make sure end of drain hose is correctly inserted in and secured to drain facility.</li> </ul>
	<b>Household drain may be clogged</b>	<ul style="list-style-type: none"> <li>• Check household plumbing. You may need to call a plumber.</li> </ul>
	<b>Constant water pressure to the fill hoses at the water source</b>	<ul style="list-style-type: none"> <li>• Tighten hoses at the faucets and turn the water off after each use.</li> <li>• Check condition of the fill hoses; they should be replaced every 5 years.</li> </ul>
	<b>Oversudsing</b>	<ul style="list-style-type: none"> <li>• Use less detergent or low sudsing detergent.</li> </ul>
<b>Too many suds</b>	<b>Type of detergent</b>	<ul style="list-style-type: none"> <li>• Switch to a High-efficiency (HE) detergent and follow instructions on package.</li> </ul>
	<b>Very soft water</b>	<ul style="list-style-type: none"> <li>• Try less detergent.</li> </ul>
<b>Water won't drain</b>	<b>Drain hose is kinked or improperly connected</b>	<ul style="list-style-type: none"> <li>• Straighten drain hose and make sure washer is not sitting on it.</li> <li>• Top of drain outlet should be less than 8 ft. (2.5 m) above floor.</li> </ul>
	<b>Household drain may be clogged</b>	<ul style="list-style-type: none"> <li>• Check household plumbing. You may need to call a plumber.</li> </ul>
<b>Water temperature is incorrect</b>	<b>Water supply is improperly connected</b>	<ul style="list-style-type: none"> <li>• Make sure hoses are connected to correct faucets.</li> </ul>
	<b>House water heater is not set properly</b>	<ul style="list-style-type: none"> <li>• Make sure house water heater is delivering water at 120°–140°F (48°–60°C).</li> </ul>
<b>Water does not enter washer or enters slowly</b>	<b>Water supply is turned off</b>	<ul style="list-style-type: none"> <li>• Turn on both hot and cold faucets fully.</li> </ul>
	<b>Water valve screens are stopped up</b>	<ul style="list-style-type: none"> <li>• Turn off the water source and remove the water connection hoses from the upper back of the washer. Use a brush or toothpick to clean the screens in the machine. Reconnect the hoses and turn the water back on.</li> </ul>
<b>Water valves turn on after fill</b>	<b>Normal operation</b>	<ul style="list-style-type: none"> <li>• This washer has Smart Fill technology, which adapts the water level during the cycle to optimize water performance.</li> </ul>

<b>OPERATION</b>	<b>Possible Causes</b>	<b>What To Do</b>
<b>Washer pauses in cycle</b>	The washer normally pauses between washing steps	
	Washer is executing initial entrapment check	<ul style="list-style-type: none"> <li>The washer executes a check every time the washer is started. Washer locks, rocks basket, and then unlocks for ten seconds to ensure safe operation.</li> </ul>
<b>Washer won't operate</b>	Washer is unplugged	<ul style="list-style-type: none"> <li>Make sure cord is plugged securely into a working outlet.</li> </ul>
	Water supply is turned off	<ul style="list-style-type: none"> <li>Turn both hot and cold faucets fully on.</li> </ul>
	Circuit breaker/fuse is tripped/blown	<ul style="list-style-type: none"> <li>Check house circuit breakers/fuses. Replace fuses or reset breaker. Washer should have separate outlet.</li> </ul>
	Controls are not set properly	<ul style="list-style-type: none"> <li>Hold START/PAUSE button to start cycle.</li> </ul>
	Door is open	<ul style="list-style-type: none"> <li>Close door and press START/PAUSE.</li> </ul>
	Door is locked	<ul style="list-style-type: none"> <li>If door is locked with START/PAUSE blinking, press START/PAUSE two times to unlock the door.</li> </ul>
<b>Washer won't spin</b>	Door is open	<ul style="list-style-type: none"> <li>Make sure door is closed.</li> </ul>
	Motor is overheated	<ul style="list-style-type: none"> <li>Washer motor will stop if it becomes overheated. It will automatically restart after a cool down period of up to 30 minutes (if washer has not been manually turned off).</li> </ul>
	Washer load is unbalanced	<ul style="list-style-type: none"> <li>Washer has detected excessive unbalance and will automatically attempt to rebalance load.</li> </ul>
<b>NOISE</b>	<b>Possible Causes</b>	<b>What To Do</b>
<b>Washer is noisy</b>	Washer is not level	<ul style="list-style-type: none"> <li>Make sure washer is level and rests firmly on the floor.</li> </ul>
	Washer load is unbalanced	<ul style="list-style-type: none"> <li>Press START/PAUSE to stop the washer, open the door and redistribute the load evenly. Close the door and restart.</li> </ul>
	Squealing sound or hot rubber odor	<ul style="list-style-type: none"> <li>Washer is overloaded. Stop washer and reduce load.</li> </ul>
	Shipping bolts and foam block have not been removed	<ul style="list-style-type: none"> <li>See Installation Instructions for directions to remove shipping bolts and foam block.</li> </ul>
	Rattling and clanking caused by foreign objects in tub or pump or metal fasteners hitting tub	<ul style="list-style-type: none"> <li>Check drum for foreign objects. Turn items with metal fasteners inside out.</li> </ul>
<b>PERFORMANCE</b>	<b>Possible Causes</b>	<b>What To Do</b>
<b>Lint or residue on clothes</b>	Incorrect sorting	<ul style="list-style-type: none"> <li>Separate lint producers from lint collectors.</li> </ul>
	Washing too long	<ul style="list-style-type: none"> <li>Select a lower soil level.</li> </ul>
	Detergent not dissolving	<ul style="list-style-type: none"> <li>Try a liquid detergent.</li> <li>Use warmer water temperature.</li> </ul>
	Overloading	<ul style="list-style-type: none"> <li>Wash drum may be fully loaded with loosely added items.</li> </ul>
	Incorrect use of fabric softener	<ul style="list-style-type: none"> <li>Check fabric softener package for instructions and follow directions for using dispenser.</li> </ul>

## Before you call for service...

<b>PERFORMANCE (cont.)</b>	<b>Possible Causes</b>	<b>What To Do</b>
<b>Clothes too wet</b>	Load is out of balance	<ul style="list-style-type: none"> <li>• Redistribute load.</li> </ul>
<b>Pilling</b>	Result of normal wear on poly-cotton blends and fuzzy fabrics	<ul style="list-style-type: none"> <li>• While this is not caused by the washer, you can slow the pilling process by washing garments inside out.</li> </ul>
<b>Grayed or yellowed clothes</b>	Not enough detergent	<ul style="list-style-type: none"> <li>• Use correct amount of detergent.</li> </ul>
	Not using HE (high efficiency) detergent	<ul style="list-style-type: none"> <li>• Use HE detergent.</li> </ul>
	Hard water	<ul style="list-style-type: none"> <li>• Use hottest water safe for fabric.</li> <li>• Use a water conditioner like Calgon brand or install a water softener.</li> </ul>
	Water is not hot enough	<ul style="list-style-type: none"> <li>• Make sure water heater is delivering water at 120°–140°F (48°–60°C).</li> </ul>
	Detergent is not dissolving	<ul style="list-style-type: none"> <li>• Try a liquid detergent.</li> </ul>
	Dye transfer	<ul style="list-style-type: none"> <li>• Sort clothes by color. If fabric label states <i>wash separately</i>, unstable dyes may be indicated.</li> </ul>
<b>Colored spots</b>	Incorrect use of fabric softener	<ul style="list-style-type: none"> <li>• Check fabric softener package for instructions and follow directions for using dispenser.</li> </ul>
	Dye transfer	<ul style="list-style-type: none"> <li>• Sort whites or lightly colored items from dark colors.</li> <li>• Promptly remove wash load from washer.</li> </ul>
<b>Wrinkling</b>	Improper sorting	<ul style="list-style-type: none"> <li>• Avoid mixing heavy items (like work clothes) with light items (like blouses).</li> </ul>
	Overloading	<ul style="list-style-type: none"> <li>• Load your washer so clothes have enough room to move freely.</li> </ul>
	Incorrect wash cycle	<ul style="list-style-type: none"> <li>• Match Cycle selection to the type of fabric you are washing (especially for easy care loads).</li> </ul>
	Repeated washing in water that is too hot	<ul style="list-style-type: none"> <li>• Wash in warm or cold water.</li> </ul>
<b>Snags, holes, tears, rips or excessive wear</b>	Pins, snaps, hooks, sharp buttons, belt buckles, zippers, and sharp objects left in pockets	<ul style="list-style-type: none"> <li>• Fasten snaps, hooks, buttons, and zippers.</li> <li>• Remove loose items like pins, objects in pockets and sharp buttons.</li> <li>• Turn knits (which snag easily) inside out.</li> </ul>
	Undiluted chlorine bleach	<ul style="list-style-type: none"> <li>• Never add undiluted bleach to wash or allow clothes to come in contact with undiluted bleach. Follow directions for use of bleach dispenser.</li> </ul>
	Chemicals like hair bleach or dye, permanent wave solution	<ul style="list-style-type: none"> <li>• Rinse items that may have chemicals on them before washing.</li> </ul>

Safety Instructions

Operating Instructions

Installation Instructions

Troubleshooting Tips

Consumer Support

# GE Washer Warranty. *(For customers in the United States)*



All warranty service provided by our Factory Service Centers, or an authorized Customer Care® technician. To schedule service, on-line, 24 hours a day, visit us at [ge.com](http://ge.com), or call 800.GE.CARES (800.432.2737).

Staple your receipt here.  
Proof of the original purchase date is needed to obtain service under the warranty.

<b>For The Period Of:</b>	<b>We Will Replace:</b>
<b>One Year</b> <i>From the date of the original purchase</i>	<b>Any part</b> of the washer which fails due to a defect in materials or workmanship. During this <b>full one-year warranty</b> , GE will also provide, <b>free of charge</b> , all labor and related service costs to replace the defective part.
<b>Second through Fifth Year</b> <i>From the date of the original purchase</i>	<b>The suspension strut assembly or motor</b> , if any of these parts should fail due to a defect in materials or workmanship. GE will also replace the <b>washer door or door panel</b> , if they should rust under normal operating conditions. During this <b>additional four-year limited warranty</b> , you will be responsible for any labor and related service costs.
<b>Second through Tenth Year</b> <i>From the date of the original purchase</i>	<b>The outer tub</b> , if it should fail due to a defect in materials or workmanship. During this <b>additional nine-year limited warranty</b> , you will be responsible for any labor and related service costs.
<b>Second through Twentieth Year</b> <i>From the date of the original purchase</i>	<b>The inner wash basket</b> , if it should fail due to a defect in materials or workmanship. During this <b>additional nineteen-year limited warranty</b> , you will be responsible for any labor and related service costs.

## **What Is Not Covered (in the United States):**

- Service trips to your home to teach you how to use the product.
- Improper installation, delivery or maintenance.
- Failure of the product if it is abused, misused, or used for other than the intended purpose or used commercially.
- Damage after delivery.
- Replacement of house fuses or resetting of circuit breakers.
- Damage to the product caused by accident, fire, floods or acts of God.
- Incidental or consequential damage caused by possible defects with this appliance.

*This warranty is extended to the original purchaser and any succeeding owner for products purchased for home use within the USA. In Alaska, the warranty excludes the cost of shipping or service calls to your home.*

*Some states do not allow the exclusion or limitation of incidental or consequential damages. This warranty gives you specific legal rights, and you may also have other rights which vary from state to state. To know what your legal rights are, consult your local or state consumer affairs office or your state's Attorney General.*

**Warrantor: General Electric Company, Louisville, KY 40225**

# GE Washer Warranty. (For customers in Canada)



All warranty service provided by our Factory Service Centers or an authorized technician.  
For service, call 1.800.361.3400.

For The Period Of:	We Will Replace:
<b>One Year</b> From the date of the original purchase	<b>Any part</b> of the washer which fails due to a defect in materials or workmanship. During this <b>full one-year warranty</b> , GE will also provide, <b>free of charge</b> , all labor and related service costs to replace the defective part.
<b>Second through Fifth Year</b> From the date of the original purchase	<b>The suspension strut assembly or motor</b> , if any of these parts should fail due to a defect in materials or workmanship. GE will also replace the <b>washer door or door panel</b> , if they should rust under normal operating conditions. During this <b>additional four-year limited warranty</b> , you will be responsible for any labor and related service costs.
<b>Second through Tenth Year</b> From the date of the original purchase	<b>The outer tub</b> , if it should fail due to a defect in materials or workmanship. During this <b>additional nine-year limited warranty</b> , you will be responsible for any labor and related service costs.
<b>Second through Twentieth Year</b> From the date of the original purchase	<b>The inner wash basket</b> , if it should fail due to a defect in materials or workmanship. During this <b>additional nineteen-year limited warranty</b> , you will be responsible for any labor and related service costs.

## What Is Not Covered (in Canada):

- Service trips to your home to teach you how to use the product.
- Improper installation, delivery or maintenance.
- Failure of the product if it is abused, misused, or used for other than the intended purpose or used commercially.
- Damage after delivery.
- Replacement of house fuses or resetting of circuit breakers.
- Damage to the product caused by accident, fire, floods or acts of God.
- Incidental or consequential damage caused by possible defects with this appliance.

*This warranty is extended to the original purchaser and any succeeding owner for products purchased for home use within Canada. In-home warranty service will be provided in areas where it is available and deemed reasonable by Camco to provide.*

WARRANTOR IS NOT RESPONSIBLE FOR CONSEQUENTIAL DAMAGES.

Warrantor: CAMCO INC.

*Mesures de sécurité* ..... 24, 25

***Fonctionnement***

Panneaux de contrôle ..... 26, 27

Réglage des contrôles ..... 28

Étiquettes de soins des tissus ..... 33

Caractéristiques ..... 29, 30

Chargement et utilisation de la laveuse . .31, 32

***Installation*** ..... 34–39

Exigences de vidange ..... 37

Exigences électriques ..... 37

Installation de la laveuse ..... 38, 39

Emplacement de votre laveuse ..... 35

Préparation à l'installation de  
votre laveuse ..... 34

Pièces de rechange ..... 39

Dimensions ..... 35

Déballage de votre laveuse ..... 36

Exigences d'alimentation d'eau ..... 37

***Conseils de dépannage*** ..... 41–44

***Soutien au consommateur***

Numéros de téléphone du service ..... 46

Garantie (Canada) ..... 45



En qualité de partenaire ENERGY STAR®, GE a trouvé que ce produit rencontre les directives d'ENERGY STAR® en matière d'efficacité énergétique.

***Inscrivez ici les numéros de modèle et de série :***

***Modèle #*** \_\_\_\_\_

***Série #*** \_\_\_\_\_

Vous les trouverez sur une étiquette placée du côté de la laveuse.

**Mesures de sécurité**

**Fonctionnement**

**Installation**

**Conseils de dépannage**

**Soutien au consommateur**

# RENSEIGNEMENTS IMPORTANTS EN MATIÈRE DE SÉCURITÉ. LISEZ TOUTES LES INSTRUCTIONS AVANT D'UTILISER VOTRE LAVEUSE.

## ⚠ AVERTISSEMENT!

Pour votre sécurité, vous devez suivre les instructions contenues dans ce manuel, pour réduire le danger d'incendie ou d'explosion, de secousse électrique et pour empêcher les dommages matériels, les blessures corporelles ou les pertes de vie humaine.

Les instructions contenues dans ce manuel et dans tous les autres documents qui accompagnent la laveuse ne couvrent pas toutes les situations ou conditions possibles qui peuvent se produire. Vous **devez** faire preuve de prudence et utiliser des méthodes sécuritaires pour installer, faire fonctionner et entretenir tout appareil électroménager.



## SÉCURITÉ DU CHAUFFE-EAU

Dans certaines conditions, un chauffe-eau peut produire de l'hydrogène gazeux si on ne l'a pas utilisé pendant plus de deux semaines. Dans ces conditions, l'hydrogène gazeux peut exploser.

Si vous n'avez pas utilisé le chauffe-eau pendant deux semaines ou plus, empêchez tout dommage ou blessure possible en ouvrant tous les robinets d'eau chaude et en les laissant couler pendant plusieurs minutes. Faites cela avant d'utiliser tout appareil électroménager branché au système d'eau chaude. Cette procédure simple permet à toute accumulation d'hydrogène gazeux de s'échapper. Comme ce gaz est inflammable, ne fumez jamais ou n'utilisez jamais de flamme vive ou d'appareil électroménager pendant cette procédure.



## BONNE INSTALLATION

Vous devez bien installer et placer cette laveuse, conformément aux instructions d'installation, avant de l'utiliser.

- Installez ou placez votre laveuse dans un endroit où elle n'est pas exposée à des températures inférieures à zéro degré centigrade ou à du mauvais temps. Cela risque de causer des dommages permanents et d'annuler la garantie.
- Mettez bien à la terre la laveuse, conformément à tous les codes et les ordonnances en vigueur. Suivez tous les détails des instructions d'installation.



## VOTRE AIRE DE LESSIVE

- Ne conservez aucun matériau combustible, comme de la charpie, du papier, des chiffons ou des produits chimiques, en dessous ou à proximité de votre laveuse.
- Ne laissez jamais la porte de la laveuse ouverte. Une porte ouverte est, pour des enfants, une invitation à se pendre à la porte ou à se cacher dans la laveuse.
- Vous devez surveiller constamment votre laveuse si vous l'utilisez à proximité d'enfants ou si des enfants l'utilisent. Ne permettez jamais à des enfants de jouer avec, ou dans cet appareil, ou avec tout autre appareil électroménager.





N'utilisez votre laveuse qu'aux fins prévues décrites dans ce manuel du propriétaire.

## QUAND VOUS UTILISEZ VOTRE LAVEUSE

- N'essayez jamais d'ouvrir votre laveuse quand elle fonctionne. Attendez que la machine soit complètement arrêtée pour ouvrir la porte.
- Ne mélangez jamais d'eau de javel au chlore avec de l'ammoniaque ou des acides comme du vinaigre et/ou de l'antirouille. Le mélange de différents produits chimiques peut produire des gaz toxiques qui peuvent causer la mort.
- Ne lavez jamais ou ne faites jamais sécher des articles qui ont été nettoyés, lavés, trempés ou mouillés dans des substances combustibles ou explosives (comme la cire, l'huile, la peinture, l'essence, les substances dégraissantes, les solvants de nettoyage à sec, le pétrole, etc.) qui peuvent brûler ou exploser. N'ajoutez jamais ces substances à l'eau de lavage. N'utilisez jamais ou ne placez jamais ces substances à proximité de votre laveuse ou de votre sècheuse pendant leur fonctionnement.
- La procédure de lessivage peut réduire la résistance aux flammes des tissus. Pour éviter cela, suivez soigneusement les instructions de lavage et de soins du fabricant de vêtements.
- Pour réduire le risque de secousse électrique, débranchez votre laveuse de sa prise murale ou débranchez la laveuse au niveau du panneau de distribution de l'immeuble en enlevant le fusible ou en faisant basculer le disjoncteur, avant d'entreprendre tout entretien ou nettoyage.  
**NOTE :** Vous **ne** débranchez **pas** votre appareil de son alimentation électrique en appuyant sur le bouton POWER (alimentation).
- N'essayez jamais de faire fonctionner votre laveuse si elle est endommagée, si elle ne fonctionne pas bien, si elle est partiellement démontée ou si elle a des pièces manquantes ou cassées, en particulier sa fiche ou son cordon d'alimentation endommagé.
- Ne faites jamais claquer la porte pour la fermer. N'essayez jamais de forcer sur la porte pour l'ouvrir quand elle est verrouillée (le voyant LOCKED [verrouillée] est allumé). Vous risquez d'endommager votre laveuse.
- Votre laveuse est équipée d'un mécanisme de protection contre la surintensité. Son moteur s'arrête s'il chauffe trop. Votre laveuse se remet automatiquement en marche après une période de refroidissement qui peut atteindre 2 heures, si vous n'avez pas arrêté à la main votre laveuse pendant ce temps.



## QUAND VOUS NE L'UTILISEZ PAS

- Fermez les robinets d'eau pour réduire la pression sur les tuyaux et les robinets et pour réduire la fuite s'il se produit une cassure ou une rupture. Vérifiez l'état des tuyaux d'alimentation; vous devez les remplacer tous les 5 ans.
- Avant de jeter une laveuse ou de la mettre hors-service, enlevez sa porte pour empêcher les enfants de se cacher dedans.
- N'essayez jamais de réparer ou de remplacer une pièce de votre laveuse, à moins que ce ne soit spécifiquement recommandé dans ce Manuel du propriétaire ou dans des instructions de réparations par l'utilisateur publiées, que vous compreniez et pour lesquelles vous possédez les compétences nécessaires.
- Ne faussez jamais les contrôles.



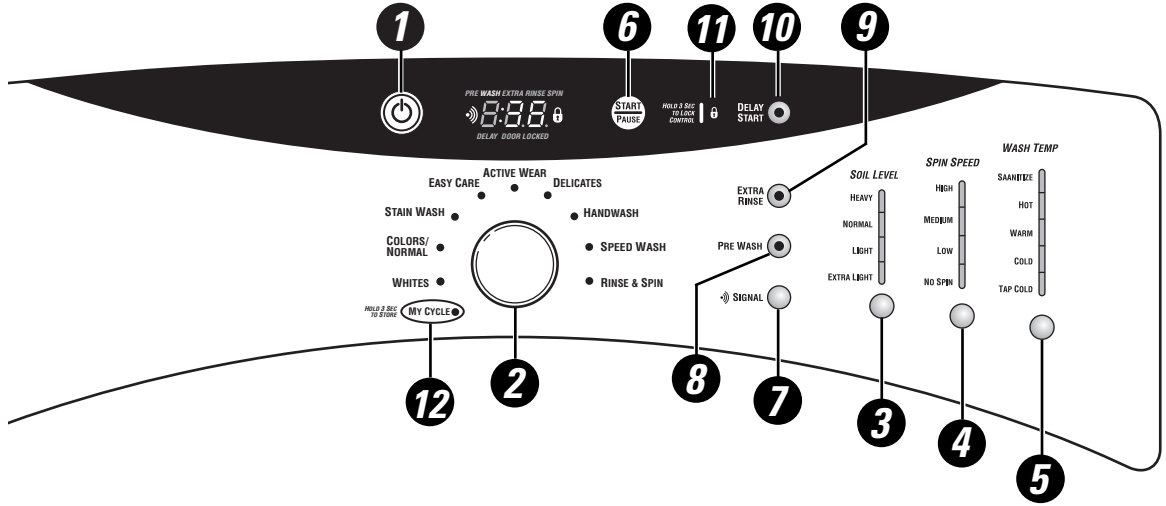
LISEZ ET SUIVEZ SOIGNEUSEMENT CES RENSEIGNEMENTS EN MATIÈRE DE SÉCURITÉ.

**CONSERVEZ CES INSTRUCTIONS**

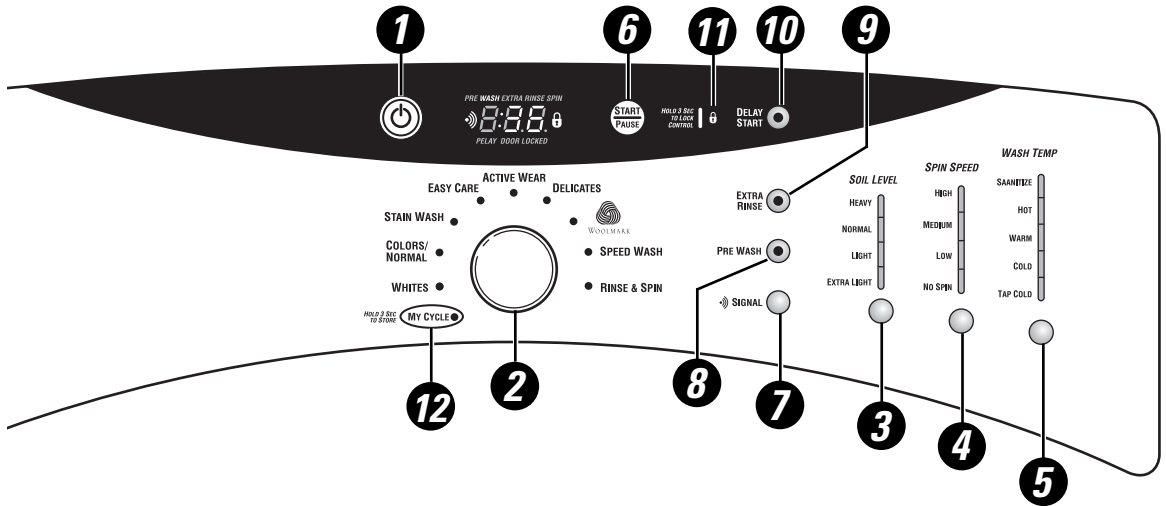
# Le panneau de contrôle de votre laveuse.

Vous trouverez votre numéro de modèle sur une étiquette placée du côté de la laveuse.

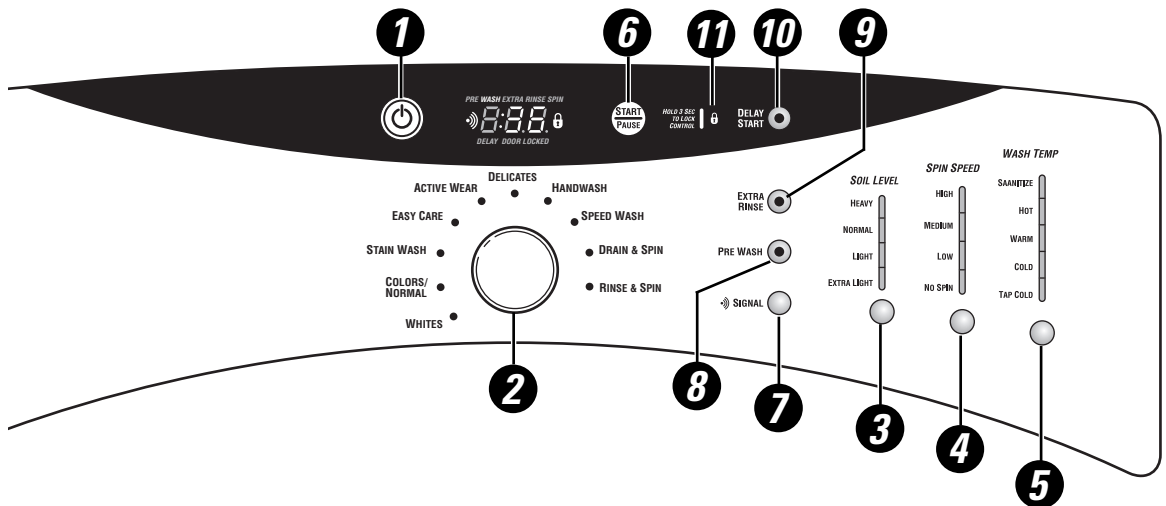
## Modèle WCVH6260



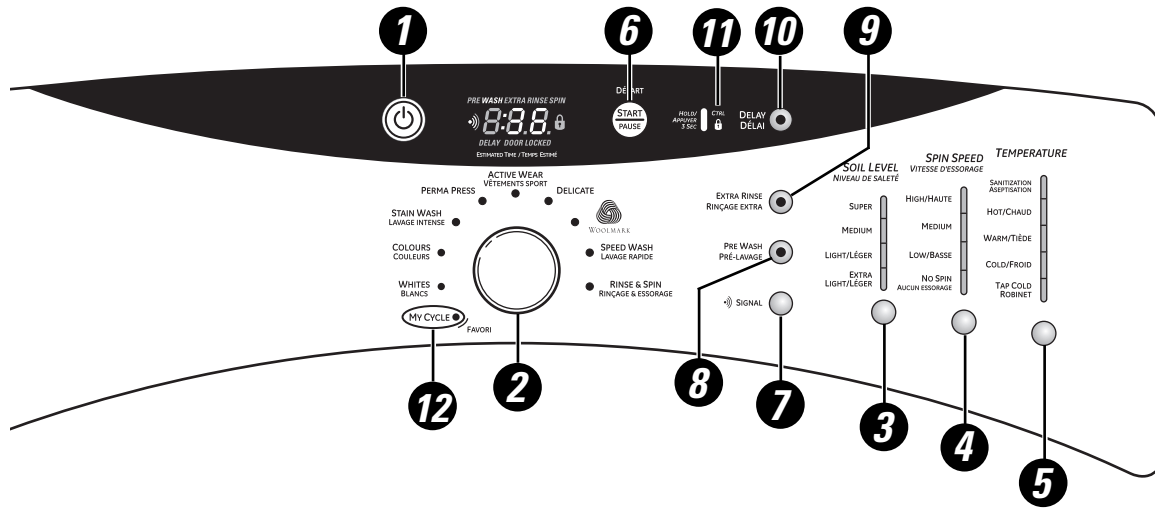
## Modèle WHDVH626



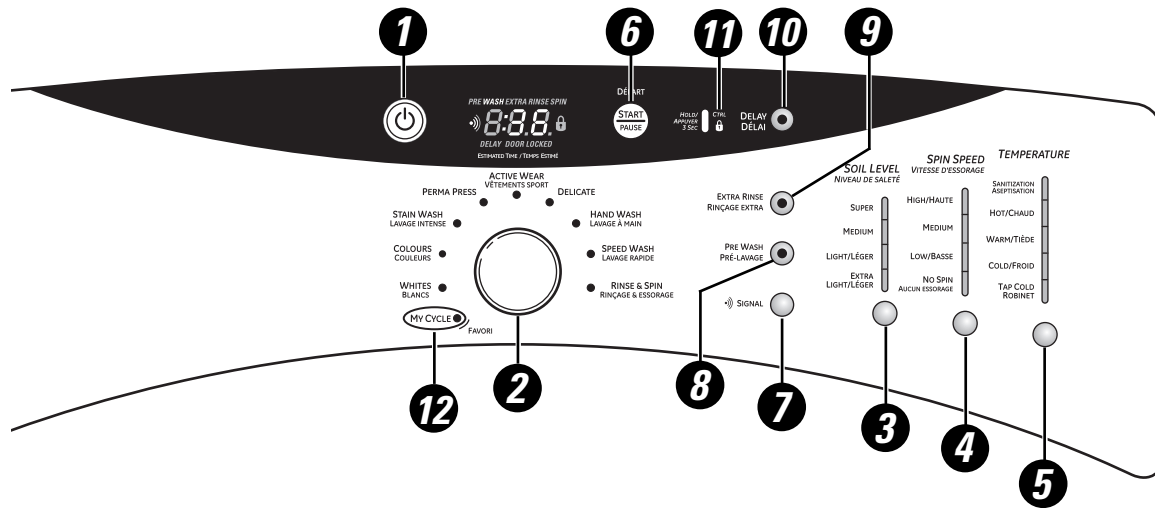
## Modèle WBVH6240



Modèle GBVH6260



Modèle GCVH6260




- 1 Power (alimentation)**  
Appuyez pour activer l'affichage. Si l'affichage est actif, appuyez pour mettre la laveuse en mode d'attente.  
**NOTE :** Vous ne débranchez pas votre appareil de l'alimentation électrique en appuyant sur **POWER** (alimentation).

## Le panneau de contrôle de votre laveuse.

### 2 Cycles de lavage

les cycles sont optimisés pour des catégories particulières de charges de lavage. Le tableau ci-dessous vous aidera à trouver un réglage de lavage qui correspond à votre charge de lavage.

<b>BLANCS</b>	Pour les cotonnades blanches, le linge de maison, les vêtements de travail et de jeux peu sales.
<b>COULEURS/NORMAL</b>	Pour les cotonnades de couleur, le linge de maison, les vêtements de travail et de jeu très à légèrement sales.
<b>LAVAGE INTENSE</b>	Pour les cotonnades de couleur, le linge de maison, les vêtements de travail et de jeu très sales.
<b>PERMA PRESS</b>	Pour les articles sans repassage et infroissables.
<b>VÊTEMENTS SPORT</b>	Pour les vêtements de sports, d'exercices et certains vêtements sports. Leurs tissus comprennent des fibres et des finitions modernes comme le spandex, les microfibres et les fibres élastiques.
<b>DELICATE</b>	Pour les tissus délicats peu ou normalement sales. La laveuse trempe et remue doucement pendant le lavage et rinçage.
<b>LAVAGE À MAIN</b>	Pour les articles étiquetés lavage à la main peu sales. La laveuse remue gentiment pour imiter le lavage à la main.
<b>WOOLMARK</b>	Le cycle de lavage de produits lainiers de cette machine a été approuvé par Woolmark pour les produits Woolmark lavables à la machine à condition que ces produits ils soient lavés conformément aux instructions de l'étiquette du vêtement et aux instructions du fabricant de cette laveuse (MO510).  En choisissant ce cycle, vous devez utiliser un détergent approprié pour laver la laine.
<b>FAVORI</b>	Appuyez sur ce bouton pour utiliser, créer ou modifier des cycles de lavage sur mesure.
<b>LAVAGE RAPIDE</b>	Pour articles légèrement sales qu'il faut laver en vitesse. La durée du cycle est d'environ 30 minutes, selon les options choisies.
<b>DRAINAGE ET ESSORAGE</b>	Draine et essore en même temps.
<b>RINÇAGE &amp; ESSORAGE</b>	Pour rincer rapidement les articles n'importe quand.

### 3 NIVEAU DE SALETÉ

En changeant le niveau de saleté, vous augmentez ou diminuez la durée de lavage pour enlever divers montants de saleté.

Pour changer le niveau de saleté, appuyez sur le bouton **NIVEAU DE SALETÉ** jusqu'au réglage désiré. Vous pouvez choisir entre Extra light (très peu sale), Light (peu sale), Normal (normal) ou Heavy Soil (vraiment sale).

### 4 VITESSE D'ESSORAGE

En changeant la vitesse d'essorage, vous changez la vitesse de l'essorage final des cycles. Suivez toujours les instructions de l'étiquette du fabricant pour changer la vitesse d'essorage.

Pour changer la vitesse d'essorage, appuyez sur le bouton **VITESSE D'ESSORAGE** jusqu'au réglage désiré. Les vitesses d'essorage les plus rapides ne sont pas offertes pour certains cycles, comme le cycle délicats.

Les vitesses d'essorage plus rapides enlèvent plus d'eau des vêtements, et aident à réduire le temps de séchage, mais augmentent également la possibilité de froisser certains tissus.

### 5 TEMPÉRATURE DE LAVAGE

Ajustez pour choisir la bonne température de l'eau pour le cycle de lavage. L'eau de prélavage et de rinçage est toujours froide pour réduire l'utilisation d'énergie et diminuer la fixation des taches et les froissements.

Suivez l'étiquette du fabricant pour choisir la température de lavage.

Pour changer la température de lavage, appuyez sur le bouton **TEMPÉRATURE DE LAVAGE** jusqu'au réglage désiré. La température de lavage aseptisé n'est pas offerte pour certains cycles, comme le cycle délicats.

En choisissant la température de lavage Sanitize (Hygiénique), la machine à laver augmente la température de l'eau pour désinfecter et tuer plus de 99 % de nombreuses bactéries courantes que l'on retrouve dans le lavage résidentiel. La température de lavage hygiénique n'est disponible que pour les cycles de Stain Wash (Lavage de taches) et Whites Wash (Lavage de blanc). Pour de meilleurs résultats, choisissez le réglage de lavage très sale en utilisant le réglage de température de lavage Sanitize (Hygiénique).

**NOTE :** Pendant les dix premières secondes du remplissage, l'eau est toujours froide. Cela aide à conditionner les tissus et empêche la fixation des taches sur les vêtements.


### 6 DÉPART (mise en marche/arrêt)

Appuyez pour mettre en marche un cycle de lavage. Si la laveuse fonctionne, vous l'arrêtez en appuyant une fois et déverrouillez la porte. Appuyez à nouveau pour remettre en marche le cycle de lavage.

**NOTE :** En arrêtant la laveuse et en ne remettant pas en marche le cycle dans les deux heures qui suivent, vous annulez le cycle de lavage actuel.

# Les caractéristiques de votre laveuse.


NOTE : Certaines caractéristiques peuvent ne pas être offertes sur tous les modèles de laveuses. [www.electromenagersge.ca](http://www.electromenagersge.ca)

**7**  **SIGNAL**

**Signal de Cycle**

Utilisez le bouton **SIGNAL** pour modifier le volume du signal de fin de cycle.

Appuyez sur le bouton jusqu'au volume désiré.


**8**  **PRÉ-LAVAGE**

**Pré-lavage**

Pré-lavage est un lavage supplémentaire avant le lavage principal. Utilisez-le pour les vêtements très sales ou pour les vêtements dont l'étiquette recommande un pré-lavage avant le lavage.

Assurez-vous d'ajouter du détergent à rendement élevé ou le bon additif de lavage au distributeur de pré-lavage.

**NOTE :** En choisissant le pré-lavage, il est recommandé d'utiliser un détergent en poudre dans le compartiment de lavage principal (détergent).

**9**  **RINÇAGE EXTRA**

**Rinçage Extra**

Utilisez un rinçage supplémentaire quand il faut davantage rincer pour enlever la saleté et le détergent

supplémentaires mis pour du linge vraiment sale.


**10**  **DÉLAI**

**Délai (mise en marche retardée)**

Vous pouvez retarder la mise en marche d'un cycle de lavage jusqu'à 12 heures. Appuyez sur le bouton **DÉLAI (mise en marche retardée)** pour choisir le nombre d'heures que vous voulez attendre pour commencer le cycle de lavage, puis appuyez sur le bouton **DÉPART (mise en marche)**. La machine compte automatiquement le temps d'attente, puis se met en marche automatiquement à l'heure désirée.

**NOTE :** Si vous oubliez de fermer complètement la porte, un signal sonore de rappel se fait entendre pour vous rappeler de le faire.

**NOTE :** Si vous ouvrez la porte pendant que la machine compte à rebours le temps qui reste avant la mise en marche, la machine fait une **PAUSE (pause)**. Vous devez refermer la porte et appuyer à nouveau sur le bouton **DÉPART (mise en marche)** pour recommencer le compte à rebours.

**11**  **HOLD/ APPUYER 3 SEC**

**Verrouillage**

Vous pouvez verrouiller les contrôles pour empêcher tout choix de cycle, ou vous pouvez verrouiller les contrôles après avoir commencé un cycle.


*Les enfants ne peuvent pas mettre accidentellement en marche la laveuse en appuyant sur des touches quand vous choisissez cette option.*

Pour verrouiller les contrôles de la laveuse, appuyez sur le bouton de verrou

et tenez-la appuyée pendant 3 secondes. Pour déverrouiller les contrôles de la laveuse, appuyez sur le bouton de verrou et tenez-la appuyée pendant 3 secondes.

L'icône de contrôle de verrouillage de l'affichage s'allume quand il est branché.

**NOTE :** Vous pouvez encore utiliser le bouton **POWER (alimentation)** quand la machine est verrouillée.

**12**  **MY CYCLE**

**MY CYCLE (FAVORI)**

Pour sauvegarder un cycle favori, choisissez le réglage désiré et appuyez sur le bouton **MY CYCLE (FAVORI)** pendant 3 secondes. Un signal sonore se fait entendre pour indiquer que le cycle est sauvegardé.

Pour utiliser votre cycle personnalisé, appuyez sur le bouton **MY CYCLE (FAVORI)** avant de laver une charge.

Pour changer le cycle sauvegardé, choisissez le réglage désiré et appuyez sur le bouton **MY CYCLE (FAVORI)** pendant 3 secondes.

**NOTE :** Quand vous utilisez **MY CYCLE (FAVORI)**, vous ne pouvez pas modifier les options de lavage une fois que le cycle a commencé

**NOTE :** Si vous changez les options de lavage avec **MY CYCLE (FAVORI)** avant le début du cycle, le voyant **MY CYCLE (FAVORI)** s'éteindra et vous reviendrez au cycle de base.

Mesures de sécurité

Fonctionnement

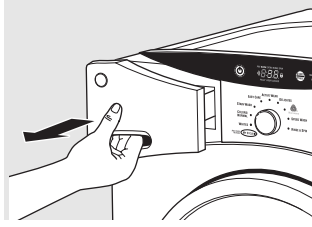
Installation

Conseils de dépannage

Soutien au consommateur

# Les caractéristiques de votre laveuse.

NOTE : Certaines caractéristiques peuvent ne pas être offertes sur tous les modèles de laveuses.

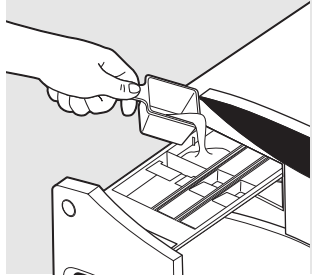


## Le tiroir distributeur

Ouvrez lentement le tiroir distributeur en le tirant jusqu'à son arrêt final.

Après avoir ajouté vos produits de lavage, fermez lentement le tiroir distributeur. Si vous fermez le tiroir trop vite, vous risquez de distribuer l'eau de Javel, l'adoucissant ou le détergent trop tôt.

Vous pouvez voir de l'eau dans les compartiments d'eau de Javel et d'adoucissant à la fin du cycle. C'est occasionné par l'action de vidange/siphonnage et cela fait partie du fonctionnement normal de la laveuse.

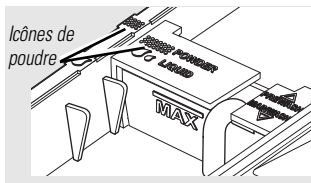


## Le compartiment de pré-lavage

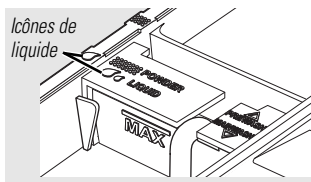
- N'utilisez le compartiment de pré-lavage que si vous choisissez le cycle de pré-lavage pour des vêtements très sales. Ajoutez le détergent mesuré ou l'additif de pré-lavage au compartiment de pré-lavage situé à l'arrière gauche du tiroir distributeur.
- Le détergent ou l'additif de pré-lavage est évacué du distributeur pendant le cycle de pré-lavage (si vous l'avez choisi).

NOTE : Le détergent liquide passe dans le tambour de la laveuse à mesure que vous l'ajoutez.

- Vous devez ajuster la quantité de détergent à la température de l'eau, à la dureté de l'eau, à la taille de la charge et à son niveau de saleté. Évitez d'utiliser trop de détergent dans votre laveuse car cela peut provoquer des traces de détergent et de mousse sur les vêtements.



À l'arrière pour détergent en poudre

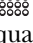
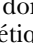


En avant pour détergent liquide

## Le compartiment de détergent

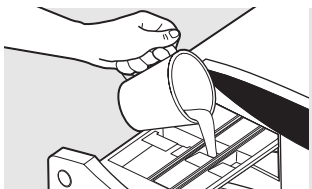
- Nous recommandons d'utiliser du détergent à haut rendement dans cette laveuse. Utilisez le montant recommandé par le fabricant de détergent.

L'étiquette de choix de détergent doit être placée dans le compartiment de détergent, dans un emplacement particulier, selon la catégorie de détergent que vous utilisez.


- **Détergent en poudre** – Placez l'étiquette à l'arrière. Les icônes de poudre  doivent être alignées au centre quand l'étiquette de dosage est en position de poudre.
- **Détergent liquide** – Placez l'étiquette en avant. Les icônes de liquide  doivent être alignées au centre quand l'étiquette de dosage est en position de liquide.

Bougez l'étiquette et la tirant vers le haut et remettez-la en place en la faisant glisser entre les rails moulés avant ou arrière du compartiment de détergent, à votre choix, pour du détergent en poudre ou liquide.

- Ajoutez le détergent mesuré à l'avant gauche du compartiment de détergent du tiroir distributeur.
- Le détergent est évacué du distributeur au début du cycle de lavage. Vous pouvez utiliser du détergent en poudre ou liquide.
- Vous devez peut-être ajuster l'utilisation du détergent à la température de l'eau, à la dureté de l'eau, à la taille et au niveau de saleté de la charge. Évitez d'utiliser trop de détergent dans votre laveuse car cela peut provoquer des traces de détergent et de mousse sur les vêtements.

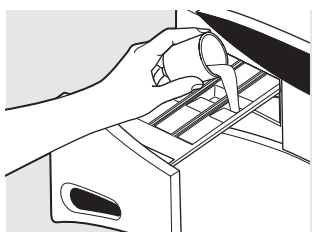


## Le compartiment d'eau de Javel liquide

Si vous le désirez, mesurez le montant recommandé d'eau de Javel, ne dépassant pas 1/3 de tasse (80 ml) et versez-le dans le compartiment central étiqueté LIQUID BLEACH (eau de Javel) et portant le symbole .

Ne dépassez jamais la ligne de remplissage maximum. Si vous mettez trop d'eau de Javel, cela risque de provoquer une distribution prématurée de l'eau de Javel, qui peut occasionner des dommages à vos vêtements.

NOTE : N'utilisez jamais de poudre à blanchir dans le distributeur.



## Le compartiment d'adoucissant

Si vous le désirez, versez le montant recommandé d'adoucissant liquide dans le compartiment étiqueté FABRIC SOFTENER (adoucissant).

N'utilisez que de l'adoucissant liquide dans le distributeur.

Diluez dans de l'eau jusqu'à la ligne maximum de remplissage.

Ne dépassez jamais la ligne maximum de remplissage. Si vous mettez trop d'adoucissant, cela risque de provoquer une distribution prématurée d'adoucissant, qui peut tacher vos vêtements.

NOTE : Ne mettez jamais d'adoucissant directement dans la charge à laver.



## Tri des charges de lavage

Triez votre lessive en charges de vêtements que vous pouvez laver ensemble.

<b>Couleurs</b>	<b>Saleté</b>	<b>Tissus</b>	<b>Charpie</b>
Blancs	Beaucoup	Délicats	Producteurs de charpie
Clairs	Normal	Soins faciles	Collecteurs de charpie
Foncés	Peu	Cotonnades solides	

- Regroupez les grands et des petits articles dans une même charge. Chargez les grands articles d'abord. Les grands articles ne doivent pas représenter plus de la moitié de la totalité de la charge de lavage.
- Nous vous recommandons de ne pas laver un article seul. Cela peut occasionner un déséquilibre de charge. Ajoutez un ou deux articles semblables.
- Vous ne devez pas mélanger les oreillers et les édredons aux autres articles. Cela peut occasionner une charge mal équilibrée.



## Chargement de la laveuse

Vous pouvez charger complètement le tambour de lavage en ajoutant les articles lachement. **Ne lavez jamais de tissus qui contiennent des matériaux inflammables (cires, liquides de nettoyage, etc.).**

Pour ajouter des articles après avoir mis en marche la laveuse, appuyez sur **START/PAUSE (mise en marche/pause)** et attendez que la porte soit déverrouillée. La laveuse peut prendre jusqu'à 30 secondes pour déverrouiller sa porte après que vous ayez appuyé sur **START/PAUSE (mise en marche/pause)**, selon les conditions. N'essayez pas de forcer la porte pour l'ouvrir quand elle est verrouillée. Quand la porte est déverrouillée, ouvrez gentiment. Ajoutez les articles, refermez la porte et appuyez sur **START/PAUSE (mise en marche/pause)** pour remettre en marche.



## Soins et nettoyage

**Extérieur :** Essayez immédiatement tout débordement. Essayez avec un linge humide. Ne frappez jamais la surface avec des objets aiguisés.

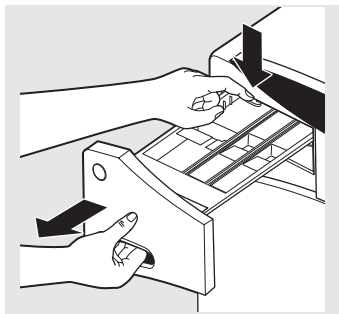
**Intérieur :** Séchez autour de l'ouverture de la porte de la laveuse, du joint flexible (y compris les tuyaux) et de la porte en verre. Ces surfaces doivent être toujours propres pour assurer que le joint soit bien imperméable. Il est recommandé de rincer la laveuse au moins une fois par année avec 1/3 de tasse d'agent de blanchiment (sans vêtement), en utilisant l'un des cycles de lavage.

**Déménagement et rangement :** Demandez au technicien de service d'enlever l'eau de la pompe et des tuyaux de vidange. Ne rangez jamais la laveuse dans un endroit où elle est exposée au mauvais temps. Quand vous déménagez la laveuse, vous devez immobiliser le bassin de lavage en utilisant les boulons d'expédition enlevés pendant l'installation. Consultez les Instructions d'installation dans ce livret. Si vous n'avez pas ces pièces, vous pouvez les commander en visitant notre site web à l'adresse [www.electromenagersge.ca](http://www.electromenagersge.ca) ou en appelant le numéro de téléphone 800.361.3400.

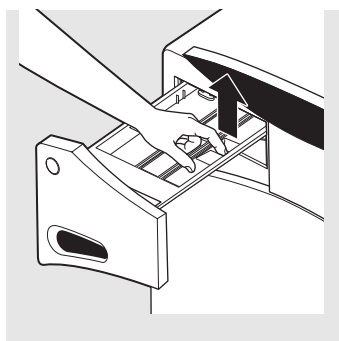
**Longues vacances :** Assurez-vous de fermer tous les robinets d'alimentation de l'eau. Vidangez toute l'eau des tuyaux si la température risque de descendre en dessous de celle de gel.

# Chargement et utilisation de la laveuse.

Suivez toujours l'étiquette du fabricant de tissus pour laver.



Le taquet du verrou n'est visible que quand le tiroir est complètement tiré



**Emplacement du tiroir distributeur :** Le détergent et l'adoucisseur peuvent s'amasser dans le tiroir distributeur. Il faut enlever ces résidus une ou deux fois par mois.

- Enlevez le tiroir en le tirant d'abord jusqu'à ce qu'il s'arrête. Atteignez ensuite le coin arrière gauche de la cavité du tiroir et appuyez fermement sur le taquet de verrouillage, en tirant le tiroir.

- Enlevez les étiquettes des compartiments d'eau de Javel et d'adoucissant et l'étiquette de détergent. Rincez à l'eau chaude les étiquettes et le tiroir pour enlever toute trace de produit de lessivage.

- Pour nettoyer l'ouverture du tiroir, utilisez une petite brosse pour l'intérieur. Enlevez tout résidu en haut et en bas de l'intérieur.
- Remettez les étiquettes dans leur bon compartiment. Remettez en place le tiroir de distribution.





## Étiquettes de tissus

Les symboles suivants de tissus se trouvent sur les vêtements que vous allez laver.

### ÉTIQUETTES DE LAVAGE

<i>Cycle de lavage à la machine</i>						
	Normal	Tissus sans repassage/ résistants aux plis	Doux/ délicat	Lavage à la main	Ne pas laver	Ne pas essorer
<i>Température de l'eau</i>						
	Chaude (50°C/120°F)	Tiède (40°C/105°F)	Froide/fraîche (30°C/85°F)			

### ÉTIQUETTES D'EAU DE JAVEL

<i>Symboles d'eau de Javel</i>			
	Toutes les eaux de Javel (si nécessaire)	Eaux de Javel sans chlore (si nécessaire)	Ne pas utiliser d'eau de Javel

# Instructions d'installation

# Laveuse

Modèles **GBHV6260**  
**GCVH6260**  
**WCVH6260**  
**WBVH6240**  
**WHDVH626**

Des questions? Appelez le 1.800.361.3400 ou Visitez notre site Web à l'adresse : [www.electromenagersge.ca](http://www.electromenagersge.ca)

## AVANT DE COMMENCER

Lisez ces instructions entièrement et soigneusement.

- **IMPORTANT** – Conservez ces instructions pour l'inspecteur local.
- **IMPORTANT** – Observez tous les codes et les ordonnances en vigueur.
- **Note à l'installateur** – Assurez-vous de laisser ces instructions au consommateur.
- **Note au consommateur** – Conservez ces instructions à titre de référence.
- **Niveau de compétences** – L'installation de cet appareil électroménager nécessite des compétences mécaniques et électriques de base.
- **Temps d'installation** – 1-3 heures
- L'installateur est responsable de bien installer cet appareil.
- Toute panne de produit due à une mauvaise installation n'est pas couverte par la garantie.

## POUR VOTRE SÉCURITÉ :

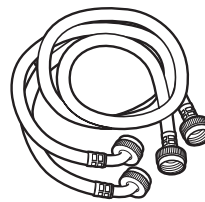
### ▲ AVERTISSEMENT

- Cet appareil électroménager doit être bien mis à la terre et installé conformément à ces *Instructions d'installation*.
- N'installez jamais ou ne rangez jamais votre appareil dans un endroit où il est exposé à l'eau ou aux intempéries. Consultez la section *Emplacement de votre laveuse*.
- **NOTE** : Cet appareil électroménager doit être bien mis à la terre et l'alimentation électrique de votre laveuse doit se conformer aux ordonnances et codes locaux et à la dernière édition du National Electrical Code, ANSI/NFPA 70.

## OUTILS NÉCESSAIRES POUR INSTALLER LA LAVEUSE

- Tourne-écrou de 1/4 po.
- Douille de 3/8 po. avec clé à cliquet
- Clé à fourche de 3/8 po.
- Clé anglaise ou douille de 7/16 po. avec clé à cliquet
- Clé anglaise ou clé à fourche de 9/16 po.
- Pince multiprise à crémaillère
- Niveau à bulle

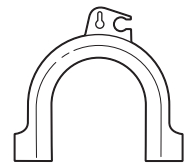
## PIÈCES FOURNIES



Tuyaux d'eau (2)



Attache de câble



Guide de tuyau

# Instructions d'installation

## EMPLACEMENT DE VOTRE LAVEUSE

### N'installez jamais votre laveuse :

1. Dans un endroit exposé à de l'eau qui coule ou aux conditions climatiques extérieures. La température ambiante ne doit jamais être inférieure à 15,6°C (60°F) pour que la laveuse fonctionne bien.
2. Dans un endroit où elle entre en contact avec des tentures ou des rideaux.
3. Sur un tapis. Le sol **DOIT** être une surface dure avec une pente maximum de 1,27 cm per 30 cm (1/2 pouce par pied). Pour vous assurer que la laveuse ne vibre pas ou ne bouge pas, il est possible que vous deviez renforcer le plancher.

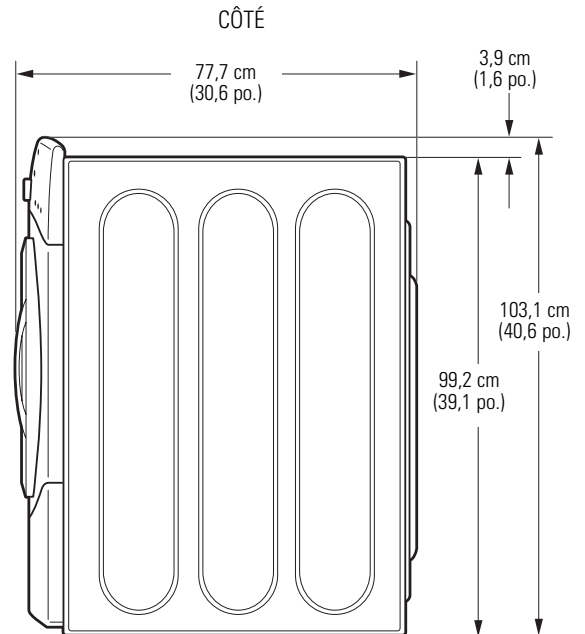
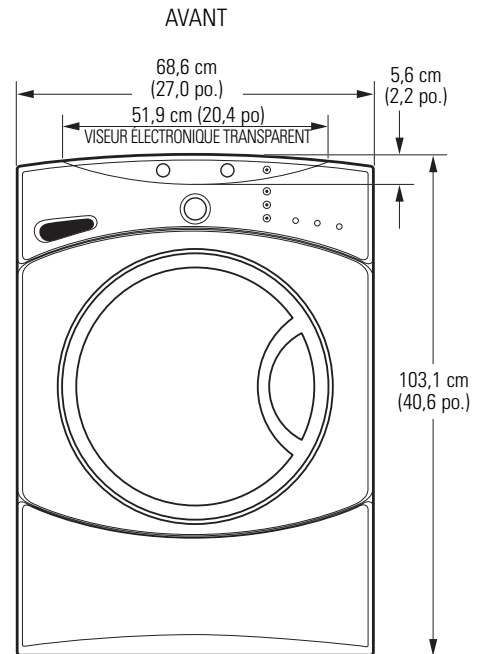
**NOTE :** Si le plancher est en mauvais état, utilisez une feuille de contreplaqué traité de 3/4 po. fixé solidement à la couverture de plancher actuelle.

### IMPORTANT :

#### Espaces libres minimum pour l'installation

- Installation dans une alcôve : Côtés, arrière, haut = 0 cm (0 po.)
- Installation dans un placard : Côtés, arrière, haut = 0 cm (0 po.), avant = 2,54 cm (1 po.)
- Ouverture de ventilation de porte de placard requise : 2 grilles d'aération chaque 387 cm<sup>2</sup> (60 pouce carré), situées à 7,6 cm (3 po.) du haut et du bas de la porte.

## DIMENSIONS



\*NOTE : Avec socle, 135 cm (53,5 po.)  
Superposé, 213 cm (84 po.)

# Instructions d'installation

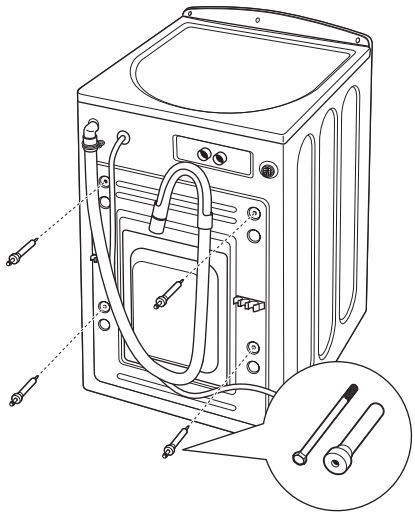
## DÉBALLAGE DE VOTRE LAVEUSE

**⚠ AVERTISSEMENT :** Recyclez ou détruisez le carton et les sacs en matière plastique après avoir déballé votre laveuse. Mettez ces matériaux hors de la portée des enfants. Les enfants peuvent être tentés de les utiliser pour jouer. Les cartons recouverts de tapis, de couve-lit, ou de drap en matière plastique peuvent devenir des chambres hermétiquement closes risquant d'étouffer des enfants.

1. Coupez et enlevez les bandes d'emballage du haut et du bas.
2. Alors qu'elle est dans le carton, posez avec soin la laveuse sur son côté. **NE LAISSEZ JAMAIS** reposer la laveuse sur son avant ou son arrière.
3. Tournez vers le bas les rebords du bas—enlevez tout l'emballage de base, y compris le carton, la base en styrofoam et le soutien de cuve en styrofoam (insérée au centre de la base).

**NOTE :** Si vous installez votre laveuse sur un pédestal, suivez les instructions d'installation qui accompagnent le pédestal.

4. Remettez soigneusement la laveuse debout et enlevez le carton.
5. Amenez soigneusement la laveuse à moins de 4 pieds (122 cm) de son emplacement final.
6. Enlevez les pièces suivantes de l'arrière de la laveuse :
  - 4 boulons
  - 4 bagues en matière plastique (y compris les anneaux en caoutchouc)
  - 4 dispositifs de cordon d'alimentation



**NOTE :** Si vous n'enlevez pas les cales d'expédition, vous risquez de déséquilibrer sérieusement la laveuse.

**Conservez tous les boulons pour un usage futur.**

**NOTE :** Si vous devez transporter la laveuse à une date future, vous devez remettre en place la quincaillerie de soutien d'emballage pour éviter tout dommage pendant le transport. Conservez la quincaillerie dans le sac en matière plastique fourni.

# Instructions d'installation

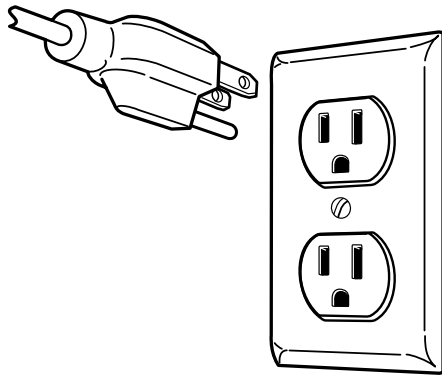
## EXIGENCES ÉLECTRIQUES

Lisez ces instructions soigneusement et complètement.

**CIRCUIT** – Circuit de dérivation individuel, bien polarisé et mis à la terre, de 15 amp., branché par l'intermédiaire d'un fusible à retardement ou d'un disjoncteur de 15 amp.

**ALIMENTATION ÉLECTRIQUE** – 2-fils, avec mise à la terre, monophasée, 120-volt., 60-Hz, courant alternatif.

**PRISE MURALE** – Prise bien mise à la terre, triphasée, située dans un emplacement tel que le cordon d'alimentation est accessible quand la laveuse est installée.



## EXIGENCES DE MISE À LA TERRE

**⚠ AVERTISSEMENT :** Un mauvais branchement de la mise à la terre de votre laveuse peut occasionner un risque de secousse électrique. Vérifiez auprès d'un électricien licencié si vous ne savez pas si votre appareil est bien mis à la terre.

1. La laveuse **DOIT** être mise à la terre. En cas de mauvais fonctionnement ou de panne, la mise à la terre réduit le risque de secousse en fournissant un chemin de moindre résistance au courant électrique.
2. Comme votre laveuse est équipée d'un cordon d'alimentation électrique qui a un conducteur de mise à la terre et une fiche de mise à la terre, la fiche **DOIT** être branchée dans une prise adéquate, câblée en cuivre, qui est bien installée et mise à la terre conformément à toutes les ordonnances et à tous les codes locaux ou, en l'absence de codes locaux, aux National Electrical Codes, ANSI/NFPA 70 (dernière édition). En cas de doute, appelez un électricien licencié. **NE COUPEZ PAS** ou ne modifiez jamais la broche de mise à la terre du cordon d'alimentation électrique. Dans les situations où il existe une prise à deux trous, le propriétaire est responsable de demander à un électricien licencié de la remplacer par une prise à trois trous **bien mise à la terre**.

## EXIGENCES D'ALIMENTATION D'EAU

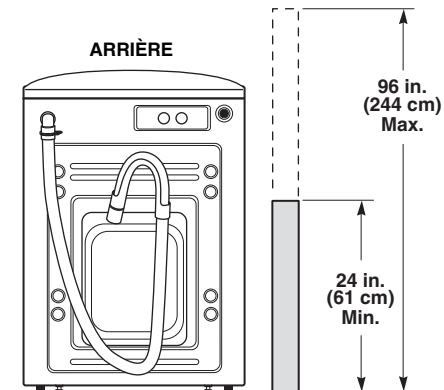
Vous **DEVEZ** installer des robinets d'eau chaude et froide à moins de 42 pouces (107 cm) de l'entrée d'eau de votre laveuse. Les robinets **DOIVENT** être des robinets de jardin de 1,9 cm (3/4 po.), pour pouvoir brancher les tuyaux d'entrée. La pression de l'eau **DOIT** être entre 10 et 120 livres par pouce carré. Votre service d'eau peut vous indiquer votre pression d'eau. La température de l'eau chaude doit être réglée de manière à fournir de l'eau à une température de 48°C à 60°C (120°F à 140°F).

## EXIGENCES DE VIDANGE

1. Une vidange capable d'éliminer 64,3 L (17 gals) par minute.
2. Un diamètre minimum de tuyau ascendant de 3,18 cm (1 1/4 po.).
3. La hauteur du tuyau ascendant au dessus du plancher doit être la suivante :

Hauteur minimum : 61 cm (24 po.)

Hauteur maximum : 244 cm (96 po.)

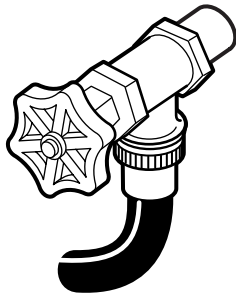
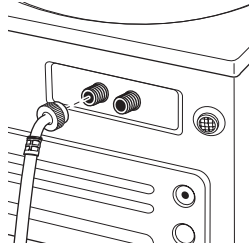


**NOTE :** Le tuyau de vidange attaché à la laveuse doit pouvoir atteindre un tuyau ascendant de 147 cm (58 po.). Pour un tuyau ascendant plus élevé, contactez un distributeur autorisé de pièces.

# Instructions d'installation

## INSTALLATION DE LA LAVEUSE

1. Faites couler un peu d'eau des robinets chaud et froid pour purger les tuyaux d'eau et enlever les particules qui peuvent boucher les tamis de robinet d'eau.
2. Enlevez les tuyaux d'entrée d'eau du sac en matière plastique.
3. (extrémité coudée 90°)  
Branchez soigneusement le tuyau d'entrée marqué HOT (chaud) à la sortie extérieure du robinet d'eau marquée H. Serrez à la main, puis serrez encore 2/3 de tour avec des pinces. Branchez soigneusement l'autre tuyau d'entrée à la sortie intérieure du robinet d'eau marquée C. Serrez à la main, puis serrez encore 2/3 de tour avec des pinces. **Ne faussez pas le filetage ou ne serrez pas trop ces branchements.**
4. Branchez les extrémités du tuyau d'entrée aux robinet d'eau CHAUDE et FROIDE, en serrant légèrement à la main, puis en serrant encore 2/3 de tour avec des pinces. Ouvrez l'eau et vérifiez qu'il n'y ait pas de fuite.

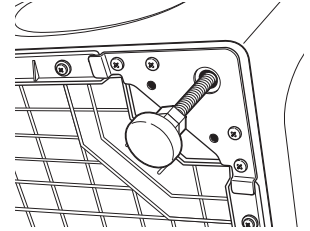


5. Amenez soigneusement la laveuse dans son emplacement final. Mettez gentilement la laveuse à sa place, en la balançant.

**NOTE :** N'essayez jamais de soulever la laveuse par sa porte ou par son tiroir distributeur.

**NOTE :** Si vous installez dans un bac de vidange, vous pouvez utiliser un 2 x 4 long de 24 po. pour bien mettre à l'horizontale la laveuse.

6. La laveuse dans son emplacement final, placez un niveau à bulle sur la laveuse (si elle est installée sous un comptoir, elle ne doit pas bouger). Ajustez les pieds d'inclinaison avant vers le haut ou vers le bas pour vous assurer qu'elle ne bouge pas. Tournez les contre-écrous de chaque pied vers la base de la laveuse et serrez avec une clé anglaise.



**NOTE :** Conservez les extensions des pieds à un minimum pour empêcher les vibrations. Plus les pieds sont tirés, et plus la laveuse vibre.

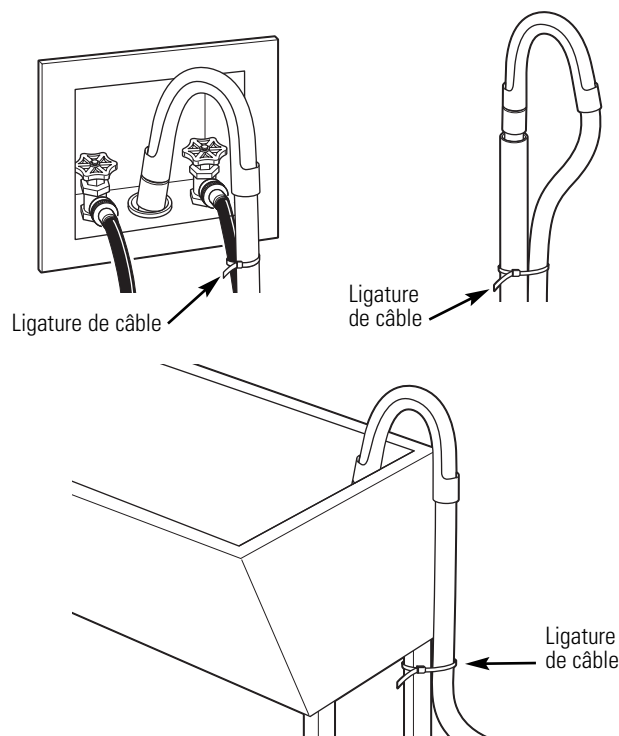
Si le plancher n'est pas bien horizontal ou est endommagé, il est possible que vous deviez allonger les pieds d'inclinaison arrière.

# Instructions d'installation

## INSTALLATION DE LA LAVEUSE (suite)

7. Attachez le guide de tuyau en U à l'extrémité du tuyau de vidange. Placez le tuyau dans une cuve à lessive ou un tuyau vertical et liez-le avec la ligature de câble fournie dans le paquet.

**NOTE :** Si le tuyau de vidange est placé dans un tuyau vertical sans être recourbé en U, il peut produire un effet de siphonnement. Vous devez maintenir un espace d'air libre autour du tuyau de vidange. Un tuyau ajusté peut aussi occasionner un effet de siphonnement.



8. Branchez le cordon d'alimentation dans une prise mise à la terre.

**NOTE :** Vérifiez que le courant est coupé au niveau du disjoncteur ou de la boîte à fusibles avant de brancher le cordon d'alimentation à une prise.

9. Branchez le courant au niveau du disjoncteur ou de la boîte à fusibles.

10. Lisez le reste de ce Manuel du propriétaire. Il contient des renseignements précieux et utiles qui vous feront économiser du temps et de l'argent.

11. Avant de mettre en marche la laveuse, vérifiez que tout est en ordre :

- L'alimentation principale de courant est branchée.
- La laveuse est branchée à la prise.
- Les robinets d'eau sont ouverts.
- L'appareil est bien horizontal.
- La quincaillerie de soutien pour l'expédition est enlevée et mise de côté.
- Le tuyau de vidange est bien attaché.
- Le robinet, les rondelles et le tuyau de vidange ne fuient pas.

12. Faites marcher la laveuse pendant un cycle complet. Vérifiez qu'il n'y a aucune fuite d'eau et qu'elle fonctionne bien.

13. Si votre laveuse ne fonctionne pas, nous vous prions de consulter la section *Avant d'appeler un réparateur*, avant d'appeler le service.

14. Rangez ces instructions dans un emplacement proche de la laveuse pour référence future.

## PIÈCES DE RECHANGE

Si vous avez besoin de pièces de rechange pour votre laveuse, vous pouvez les commander au Canada en visitant notre site web [www.electromenagersge.ca](http://www.electromenagersge.ca) ou en appelant le 800.361.3400.

<b>Soutien au consommateur</b>	<b>Conseils de dépannage</b>	<b>Installation</b>	<b>Fonctionnement</b>	<b>Mesures de sécurité</b>
--------------------------------	------------------------------	---------------------	-----------------------	----------------------------

## **Notes.**

---





Conseils de dépannage—Économisez du temps et de l'argent!  
Consultez d'abord les tableaux qui suivent et vous pourrez peut-être éviter de faire appel à un réparateur.

EAU	Causes possibles	Correctifs
<b>Fuite d'eau</b>	Les tuyaux d'entrée de l'eau ou le tuyau de vidange ne sont pas bien branchés	<ul style="list-style-type: none"> <li>Assurez-vous que les tuyaux soient bien branchés au niveau des robinets et des rondelles et assurez-vous que le tuyau de vidange soit bien inséré et fixé à l'installation de vidange.</li> </ul>
	La vidange de la maison peut être bouchée.	<ul style="list-style-type: none"> <li>Vérifiez la plomberie de la maison. Il est possible que vous ayez besoin d'appeler un plombier.</li> </ul>
	Il y a une pression d'eau constante qui s'exerce sur les tuyaux d'alimentation au niveau de la source d'eau.	<ul style="list-style-type: none"> <li>Serrez les tuyaux aux robinets et fermez l'eau après chaque utilisation.</li> <li>Vérifiez l'état des tuyaux d'alimentation, vous devez les remplacer tous les 5 ans.</li> </ul>
	Trop de mousse	<ul style="list-style-type: none"> <li>Utilisez moins de détergent ou utilisez du détergent qui ne mousse pas trop.</li> </ul>
<b>Trop de mousse</b>	Catégorie de détergent	<ul style="list-style-type: none"> <li>Changez votre détergent pour un détergent Haute efficacité (HE) et suivez les instructions sur le paquet.</li> </ul>
	Eau très douce	<ul style="list-style-type: none"> <li>Essayez moins de détergent.</li> </ul>
<b>L'eau ne s'écoule pas</b>	Le tuyau de vidange est coudé ou mal branché	<ul style="list-style-type: none"> <li>Remettez droit le tuyau de vidange et assurez-vous que la laveuse ne le bloque pas.</li> <li>Le haut de la sortie de vidange doit être à moins de 2,5 m (8 pieds) au-dessus du plancher.</li> </ul>
	La vidange de la maison est peut-être bloquée	<ul style="list-style-type: none"> <li>Vérifiez la plomberie de la maison. Il est possible que vous ayez besoin d'appeler un plombier.</li> </ul>
	Le filtre de la pompe est bloqué	<ul style="list-style-type: none"> <li>Vérifiez le filtre de la pompe derrière le panneau de service.</li> </ul>
<b>La température de l'eau n'est pas bonne</b>	L'alimentation d'eau n'est pas bien branchée	<ul style="list-style-type: none"> <li>Assurez-vous que les tuyaux sont branchés aux bons robinets.</li> </ul>
	Le chauffe-eau de la maison n'est pas bien réglé	<ul style="list-style-type: none"> <li>Assurez-vous que le chauffe-eau de la maison fournisse de l'eau à une température de 48°–60°C (120°–140°F).</li> </ul>
<b>L'eau n'entre pas ou entre lentement dans la laveuse</b>	L'alimentation d'eau est coupée	<ul style="list-style-type: none"> <li>Ouvrez complètement les robinets d'eau chaude et froide.</li> </ul>
	Les tamis des robinets d'eau sont bouchés	<ul style="list-style-type: none"> <li>Coupez la source d'eau et enlevez les tuyaux de branchement de l'eau à l'arrière en haut de la laveuse. Utilisez une brosse ou un cure-dents pour nettoyer les tamis de la machine. Rebranchez les tuyaux et ouvrez l'eau à nouveau.</li> </ul>
<b>Les robinets d'eau s'ouvrent après le remplissage</b>	Fonctionnement normal	<ul style="list-style-type: none"> <li>Cette laveuse comprend la technologie Smart Fill, qui adapte le niveau d'eau durant le cycle pour optimiser la performance d'eau.</li> </ul>

## Avant d'appeler un réparateur...

<b>FONCTIONNEMENT</b>	<b>Causes possibles</b>	<b>Correctifs</b>
<b>La laveuse s'arrête pendant le cycle</b>	La laveuse s'arrête normalement entre les étapes de lavage La laveuse exécute la vérification initiale de piégeage	<ul style="list-style-type: none"> <li>La laveuse exécute une vérification à chaque fois que vous démarrez la laveuse. La laveuse verrouille, fait osciller le panier, puis déverrouille pendant dix secondes pour assurer un bon fonctionnement.</li> </ul>
<b>La laveuse ne fonctionne pas</b>	La laveuse est débranchée L'alimentation d'eau est coupée Le disjoncteur a basculé/ le fusible a sauté Les contrôles ne sont pas bien réglés La porte est ouverte La porte est verrouillée	<ul style="list-style-type: none"> <li>Assurez-vous que le cordon d'alimentation est bien branché dans une prise qui marche.</li> <li>Ouvrez complètement les robinets d'eau chaude et froide.</li> <li>Vérifiez les disjoncteurs/fusibles de la maison. Remplacez les fusibles ou remettez en marche le disjoncteur. La laveuse doit avoir une sortie différente de courant.</li> <li>Appuyez sur le bouton START/PAUSE (mise en marche/pause) pour commencer le cycle.</li> <li>Fermez la porte et appuyez sur START/PAUSE (mise en marche/pause).</li> <li>Si la porte est verrouillée avec le voyant START/PAUSE (mise en marche/pause) qui clignote, appuyez sur START/PAUSE (mise en marche/pause) deux fois pour déverrouiller la porte.</li> </ul>
<b>La laveuse n'essore pas</b>	La porte est ouverte Le moteur surchauffe La charge de la laveuse n'est pas bien équilibrée	<ul style="list-style-type: none"> <li>Assurez-vous de fermer la porte.</li> <li>Le moteur de la laveuse s'arrête s'il surchauffe. Il se remet automatiquement en marche après une période de refroidissement pouvant atteindre 30 minutes (si la laveuse n'a pas été arrêtée manuellement).</li> <li>La laveuse a détecté un déséquilibre excessif et essaye automatiquement de ré-équilibrer la charge.</li> </ul>
<b>BRUIT</b>	<b>Causes possibles</b>	<b>Correctifs</b>
<b>La laveuse est bruyante</b>	La laveuse n'est pas horizontale La charge de la laveuse n'est pas bien équilibrée Sifflement ou odeur de caoutchouc chaud Les boulons et les blocs en mousse d'emballage n'ont pas été enlevés Cliquetis et bruit de crécelle occasionnés par des objets étrangers dans le bassin ou la pompe ou des attaches de métal qui frappent le bassin	<ul style="list-style-type: none"> <li>Assurez-vous que la laveuse repose fermement sur un sol horizontal.</li> <li>Appuyez sur START/PAUSE (mise en marche/pause) pour arrêter la laveuse, ouvrez la porte et répartissez également la charge. Fermez la porte et remettez en marche.</li> <li>La laveuse est surchargée. Arrêtez la laveuse et réduisez la charge.</li> <li>Consultez la section Instructions d'installation pour enlever les boulons et les blocs en mousse d'emballage.</li> <li>Vérifiez qu'il n'y ait aucun objet étranger dans le tambour. Mettez à l'envers tous les articles qui ont des attaches de métal. Vérifiez le filtre de la pompe.</li> </ul>

<b>RENDEMENT</b>	<b>Causes possibles</b>	<b>Correctifs</b>
<b>Charpie ou résidus sur les vêtements</b>	Mauvais tri	• Séparez les objets qui produisent de la charpie de ceux qui la collectent.
	Lavage trop long	• Choisissez un niveau de saleté plus bas.
	Détergent qui ne se dissout pas	• Essayez un détergent liquide. • Utilisez une température d'eau plus chaude.
	Surcharge	• Le tambour de lavage doit être entièrement chargé d'articles ajoutés lâches.
	Mauvais usage de l'adoucisseur	• Vérifiez les instructions sur le paquet de l'adoucisseur et suivez les instructions pour utiliser le distributeur.

<b>RENDEMENT (suite)</b>	<b>Causes possibles</b>	<b>Correctifs</b>
<b>Vêtements trop mouillés</b>	La charge n'est pas bien équilibrée	• Redistribuez la charge.
<b>Boulochage</b>	C'est le résultat d'une usure normale des tissus qui sont un mélange de poly-coton et des tissus pelucheux	• Ce boulochage n'est pas causé par la laveuse, mais vous pouvez le diminuer en mettant à l'envers les vêtements pour les laver.
<b>Vêtements devenus gris ou jaunes</b>	Pas assez de détergent	• Utilisez le bon montant de détergent.
	Vous n'utilisez pas le détergent à haute efficacité	• Utilisez du détergent à haute efficacité.
	Eau calcaire	• Utilisez de l'eau plus chaude pour les tissus.
		• Utilisez un conditionneur d'eau comme celui de marque Calgon ou installez un adoucisseur d'eau.
	L'eau n'est pas suffisamment chaude	• Assurez-vous que le chauffe-eau produit de l'eau à une température de 48°–60°C (120°–140°F)
	Le détergent ne se dissout pas	• Essayez un détergent liquide.
<b>Taches de couleur</b>	Mauvaise utilisation de l'adoucisseur	• Vérifiez les instructions du paquet d'adoucisseur et suivez-les pour utiliser le distributeur.
	Transfert de colorant	• Séparez les articles blancs ou de couleur claire de ceux de couleur sombre. • Retirez rapidement la charge de lavage de la laveuse.

## Avant d'appeler un réparateur...

RENDEMENT (suite)	Causes possibles	Correctifs
<b>Vêtements trop mouillés</b>	La charge n'est pas bien équilibrée	<ul style="list-style-type: none"> <li>• Redistribuez la charge.</li> </ul>
<b>Boulochage</b>	C'est le résultat d'une usure normale des tissus qui sont un mélange de poly-coton et des tissus pelucheux	<ul style="list-style-type: none"> <li>• Ce boulochage n'est pas causé par la laveuse, mais vous pouvez le diminuer en mettant à l'envers les vêtements pour les laver.</li> </ul>
<b>Vêtements devenus gris ou jaunes</b>	Pas assez de détergent	<ul style="list-style-type: none"> <li>• Utilisez le bon montant de détergent.</li> </ul>
	Vous n'utilisez pas le détergent à haute efficacité	<ul style="list-style-type: none"> <li>• Utilisez du détergent à haute efficacité.</li> </ul>
	Eau calcaire	<ul style="list-style-type: none"> <li>• Utilisez de l'eau plus chaude pour les tissus.</li> <li>• Utilisez un conditionneur d'eau comme celui de marque Calgon ou installez un adoucisseur d'eau.</li> </ul>
	L'eau n'est pas suffisamment chaude	<ul style="list-style-type: none"> <li>• Assurez-vous que le chauffe-eau produit de l'eau à une température de 48°–60°C (120°–140°F)</li> </ul>
	Le détergent ne se dissout pas	<ul style="list-style-type: none"> <li>• Essayez un détergent liquide.</li> </ul>
	Transfert de colorant	<ul style="list-style-type: none"> <li>• Triez les vêtements par couleur. Si l'étiquette du tissu indique <i>lavez séparément</i>, cela peut indiquer que le tissu contient des colorants instables.</li> </ul>
<b>Taches de couleur</b>	Mauvaise utilisation de l'adoucisseur	<ul style="list-style-type: none"> <li>• Vérifiez les instructions du paquet d'adoucisseur et suivez-les pour utiliser le distributeur.</li> </ul>
	Transfert de colorant	<ul style="list-style-type: none"> <li>• Séparez les articles blancs ou de couleur claire de ceux de couleur sombre.</li> <li>• Retirez rapidement la charge de lavage de la laveuse.</li> </ul>
<b>Plissage</b>	Mauvais tri	<ul style="list-style-type: none"> <li>• Évitez de mélanger les articles lourds (comme les vêtements de travail) avec les articles légers (comme les blouses).</li> </ul>
	Surcharge	<ul style="list-style-type: none"> <li>• Chargez votre laveuse de manière à ce que les vêtements aient assez d'espace pour bouger.</li> </ul>
	Mauvais cycle de lavage	<ul style="list-style-type: none"> <li>• Utilisez un cycle de lavage qui convient à la catégorie de tissus que vous lavez (en particulier pour les charges de tissus faciles à laver).</li> </ul>
	Lavages répétés dans de l'eau trop chaude	<ul style="list-style-type: none"> <li>• Lavez dans de l'eau chaude ou froide.</li> </ul>
<b>Fils tirés, trous, déchirures, coupures ou usure excessive</b>	Épingles, agrafes, crochets, boutons aiguisés, boucles de ceinture, fermetures éclair et objets aiguisés laissés dans les poches	<ul style="list-style-type: none"> <li>• Attachez les agrafes, les crochets, les boutons et les fermetures éclair.</li> <li>• Enlevez les articles comme les épingles, les objets dans les poches et les boutons aiguisés.</li> <li>• Retournez les tricots (qui filent facilement).</li> </ul>
	Eau de Javel non diluée	<ul style="list-style-type: none"> <li>• N'ajoutez jamais d'eau de Javel non diluée pour laver ou ne permettez jamais à vos vêtements d'entrer en contact avec de l'eau de Javel non diluée. Suivez les instructions pour utiliser dans le distributeur d'eau de Javel.</li> </ul>
	Produits chimiques comme décolorant ou colorant à cheveux, solution pour permanente de cheveux	<ul style="list-style-type: none"> <li>• Rincez les articles qui peuvent être entrés en contact avec des produits chimiques avant de les laver.</li> </ul>



Tout le service sous garantie est fourni par nos Centres de service de fabrique ou par un technicien autorisé.

Pour le service, appelez le 1.800.361.3400.

<b>Pour une période de : Nous remplacerons :</b>	
<b>Un an</b> À partir de la date de l'achat original	<b>Toute pièce</b> de la laveuse qui tombe en panne à cause d'un vice de matériau ou de main-d'œuvre. Pendant cette <b>année de garantie complète</b> , GE fournit également, <b>gratuitement</b> , tous les frais de main-d'œuvre et de services connexes pour remplacer la pièce défectueuse.
<b>De la deuxième à la cinquième année</b> À partir de la date de l'achat original	<b>Le caisson de suspension ou le moteur</b> , si l'une de ces pièces tombe en panne à cause d'un vice de matériau ou de main-d'œuvre. GE remplacera également <b>la porte ou le panneau de porte de la laveuse</b> si ils se rouillent dans des conditions de fonctionnement normales. Pendant ces <b>quatre années supplémentaires de garantie limitée</b> , vous êtes responsable de tous les frais de main-d'œuvre et de services connexes.
<b>De la deuxième à la dixième année</b> À partir de la date de l'achat original	<b>Le bac extérieur</b> , si il tombe en panne à cause d'un vice de matériau ou de main-d'œuvre. Pendant ces <b>neuf années supplémentaires de garantie limitée</b> , vous êtes responsable de tous les frais de main-d'œuvre et de services connexes.
<b>De la deuxième à la vingtième année</b> de la date de l'achat original	<b>Le panier de lavage intérieur</b> , s'il tombe en panne à cause d'un vice de matériau ou de main-d'œuvre. Pendant ces <b>dix-neuf années supplémentaires de garantie limitée</b> , vous êtes À partir responsable de tous les frais de main-d'œuvre et de services connexes.

### Ce qui n'est pas couvert (au Canada) :

- Les frais de déplacements à votre maison pour vous apprendre à utiliser votre produit.
- Une mauvaise installation, livraison ou entretien.
- Une panne du produit si celui-ci est maltraité, mal utilisé ou utilisé à des fins autres que celles auxquelles il est destiné, ou utilisé commercialement.
- Des dommages après la livraison.
- Le remplacement de fusibles de la maison ou la remise en marche d'un disjoncteur.
- Des dommages au produit causés par un accident, un incendie, une inondation ou une catastrophe naturelle.
- Tout dommage indirect ou consécutif causé par des pannes possibles de cet appareil électroménager.

Cette garantie est offerte à l'acheteur initial, ainsi qu'à tout propriétaire subséquent d'un produit acheté en vue d'une utilisation domestique au Canada. Le service à domicile en vertu de la garantie sera fourni dans les régions où il est disponible et où Camco estime raisonnable de le fournir.

LE GARANT N'EST PAS RESPONSABLE DES DOMMAGES INDIRECTS.

Garant : CAMCO INC.

## Soutien au consommateur.

---



### Site Web appareils électroménagers GE

[www.electromenagersge.ca](http://www.electromenagersge.ca)

Vous avez une question ou vous avez besoin d'aide pour votre appareil électroménager? Contactez-nous par Internet au site [www.electromenagersge.ca](http://www.electromenagersge.ca) 24 heures par jour, tous les jours de l'année.



### Service de réparations

**1.800.361.3400**

Service de réparations GE est tout près de vous.

Pour faire réparer votre électroménager GE, il suffit de nous téléphoner.



### Studio de conception réaliste

Sur demande, GE peut fournir une brochure sur l'aménagement d'une cuisine pour les personnes à mobilité réduite.

Écrivez: Directeur, Relations avec les consommateurs, Camco, Inc.  
Bureau 310, 1 Factory Lane  
Moncton, N.B. E1C 9M3

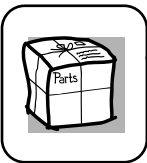


### Prolongation de garantie

[www.electromenagersge.ca](http://www.electromenagersge.ca)

Achetez un contrat d'entretien GE avant que votre garantie n'expire et bénéficiez d'un rabais substantiel. Ainsi le service après-vente GE sera toujours là après expiration de la garantie.

Visitez notre site Web ou appelez-nous au **1.800.461.3636**.



### Pièces et accessoires

Ceux qui désirent réparer eux-mêmes leurs électroménagers peuvent recevoir pièces et accessoires directement à la maison (cartes VISA, MasterCard et Discover acceptées).

**Les directives stipulées dans le présent manuel peuvent être effectuées par n'importe quel utilisateur. Les autres réparations doivent généralement être effectuées par un technicien qualifié. Soyez prudent, car une réparation inadéquate peut affecter le fonctionnement sécuritaire de l'appareil.**

Vous trouverez dans les pages jaunes de votre annuaire le numéro du Centre de service Camco le plus proche. Autrement, appelez-nous au 1.888.261.3055.



### Contactez-nous

Si vous n'êtes pas satisfait du service après-vente dont vous avez bénéficié :

**Premièrement**, communiquez avec les gens qui ont réparé votre appareil.

**Ensuite**, si vous n'êtes toujours pas satisfait envoyez tous les détails—numéro de téléphone compris—au

Directeur, Relations avec les consommateurs, Camco, Inc.  
Bureau 310, 1 Factory Lane  
Moncton, N.B. E1C 9M3



### Inscrivez votre appareil électroménager

[www.electromenagersge.ca](http://www.electromenagersge.ca)

Inscrivez votre appareil électroménager en direct, aussitôt que possible. Cela améliorera nos communications et notre service après-vente. Vous pouvez également nous envoyer par la poste le formulaire d'inscription joint à votre documentation.

**Instrucciones de seguridad** . . . 48, 49

**Instrucciones de funcionamiento**

Paneles de control . . . . . 50, 51  
Parámetros de control . . . . . 52  
Etiquetas de cuidado de tejidos . . . . 57  
Funciones . . . . . 53, 54  
Carga y uso de la lavadora . . . . . 55, 56

**Instrucciones de instalación** . . . 58–63

Requisitos de desagüe . . . . . 61  
Requisitos eléctricos . . . . . 61  
Instalación de la lavadora . . . . . 62, 63  
Ubicación de la lavadora . . . . . 59  
Preparación para la instalación  
de la lavadora . . . . . 58  
Piezas de repuesto . . . . . 63  
Dimensiones aproximadas . . . . . 59  
Desembalaje de la lavadora . . . . . 60  
Requisitos de suministro de agua . . . 61

**Consejos para la solución de problemas** . . . . . 64–66

**Atención al cliente**

Números de teléfono de  
asistencia técnica . . . . . 71  
Garantía (EE.UU.) . . . . . 67



Como socio de Energy Star®, GE ha confirmado que este producto cumple las directrices de Energy Star® relativas al rendimiento energético.

**Escriba aquí los números de modelo y serie:**

**N.º de modelo** \_\_\_\_\_

**N.º de serie** \_\_\_\_\_

Puede encontrarlos en una etiqueta situada en el costado de la lavadora.

<b>Instrucciones de seguridad</b>
<b>Instrucciones de funcionamiento</b>
<b>Instrucciones de instalación</b>
<b>Consejos para la solución de problemas</b>
<b>Atención al cliente</b>

# INFORMACIÓN DE SEGURIDAD IMPORTANTE. LEA TODAS LAS INSTRUCCIONES ANTES DEL USO.

## ⚠ ¡ADVERTENCIA!

Para su seguridad, siga la información de este manual con el fin de minimizar el riesgo de incendio, explosión o descarga eléctrica, así como para evitar daños materiales, lesiones o la muerte.

Las instrucciones de este manual, así como el resto de la documentación que se incluye con la lavadora, no cubren todas las situaciones o estados posibles que pueden producirse. El usuario **DEBE** adoptar procedimientos correctos, seguros y prudentes al instalar, utilizar y realizar el mantenimiento de cualquier electrodoméstico.

Instrucciones de seguridad

Instrucciones de funcionamiento

Instrucciones de instalación

Consejos para la solución de problemas

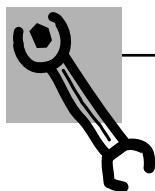
Atención al cliente



## SEGURIDAD DEL CALENTADOR DE AGUA

En determinadas condiciones, en un calentador de agua que no se haya utilizado durante un mínimo de dos semanas se puede producir gas hidrógeno. El gas hidrógeno puede resultar explosivo en determinadas circunstancias.

Si el agua caliente no se ha utilizado por dos semanas o más, prevenga la posibilidad de sufrir daños o lesiones abriendo todos los grifos de agua caliente y dejándola correr durante varios minutos. Realice este proceso antes de utilizar cualquier electrodoméstico que se conecte al sistema de agua caliente. Este sencillo procedimiento le permitirá liberar todo el gas hidrógeno acumulado. Debido a que el gas es inflamable, no fume ni utilice ninguna llama o electrodoméstico durante el proceso.



## INSTALACIÓN CORRECTA

La lavadora se debe instalar y colocar correctamente de acuerdo con las instrucciones de instalación, antes de utilizarla.

- Instale o almacene la lavadora en un lugar donde no esté expuesta a temperaturas bajo cero ni a las inclemencias climáticas, ya que esto puede provocar daños irreversibles e invalidar la garantía.
- Conecte correctamente a tierra la lavadora de conformidad con todos los códigos y ordenanzas regulatorias. Siga la información de Instrucciones de instalación.



## ZONA DE LAVADERO

- Mantenga las zonas debajo de los electrodomésticos y en torno a ellos sin materiales combustibles como pelusa, papel, trapos y productos químicos.
- No deje la puerta de la lavadora abierta. Si la puerta está abierta, puede hacer que los niños se cuelguen de ella o se introduzcan en la lavadora.
- Es necesario vigilar con atención a los niños si utilizan la lavadora o se encuentran en las proximidades. No deje que los niños jueguen sobre éste u otro electrodoméstico, con él o en su interior.





## AL UTILIZAR LA LAVADORA

Utilice este electrodoméstico sólo para el uso que se describe en este manual del propietario.

- No abra nunca la lavadora mientras esté en movimiento. Espere a que se detenga por completo para abrir la puerta.
- No mezcle blanqueadores clorados con amoníaco o ácidos como vinagre o desoxidantes. La mezcla de distintos productos químicos puede producir gases tóxicos que pueden causar la muerte.
- No lave ni seque prendas que se hayan limpiado, lavado, empapado o manchado con sustancias inflamables o explosivas (como cera, aceite, pintura, gasolina, desengrasantes, disolventes de limpieza en seco, queroseno, etc.) que puedan prenderse o explotar. No añada ninguna de estas sustancias al agua de lavado. No utilice ni coloque ninguna de estas sustancias en torno a la lavadora o la secadora durante el funcionamiento.
- El proceso de lavado puede reducir el tiempo previo a la inflamación de los tejidos. Para evitar este efecto, siga con atención las instrucciones de lavado y cuidado del fabricante de la prenda.
- Para minimizar la posibilidad de descarga eléctrica, desenchufe el electrodoméstico de la corriente o desconecte la lavadora en el panel de distribución de la vivienda quitando el fusible o apagando el interruptor antes de realizar cualquier tarea de mantenimiento o limpieza.

**NOTA:** al pulsar el botón de apagado, **NO** se desconecta la lavadora de la corriente.

- No intente en ningún caso utilizar la lavadora si está dañada, funciona incorrectamente, está parcialmente desmontada, le faltan piezas o algunas están rotas, incluidos el cable o el enchufe.
- No cierre la puerta bruscamente. No intente forzar la puerta para abrirla cuando esté bloqueada (el indicador LOCKED (Bloqueada) está ENCENDIDO). Puede dañar la lavadora.
- La lavadora está equipada con un sistema de protección de sobrecargas eléctricas. El motor se detendrá si se recalienta. La lavadora se iniciará de nuevo automáticamente después de un período de enfriamiento de hasta 2 horas si no se apaga manualmente durante ese tiempo.



## CUANDO NO ESTÉ EN USO

- Cierre las llaves de paso para reducir la presión de las tuberías y las válvulas, y minimizar las fugas en caso de que se produzca una rotura o grieta. Compruebe el estado de las tuberías de toma de agua, ya que deben sustituirse cada 5 años.
- Antes de deshacerse de una lavadora o de desecharla, quite la puerta de la lavadora para evitar que los niños se escondan en su interior.
- No intente reparar ni sustituir ninguna pieza de este electrodoméstico, a menos que se recomiende de manera explícita en el manual del propietario o en instrucciones publicadas de uso y reparación que sean comprensibles y que pueda realizar usted.
- No manipule los controles.



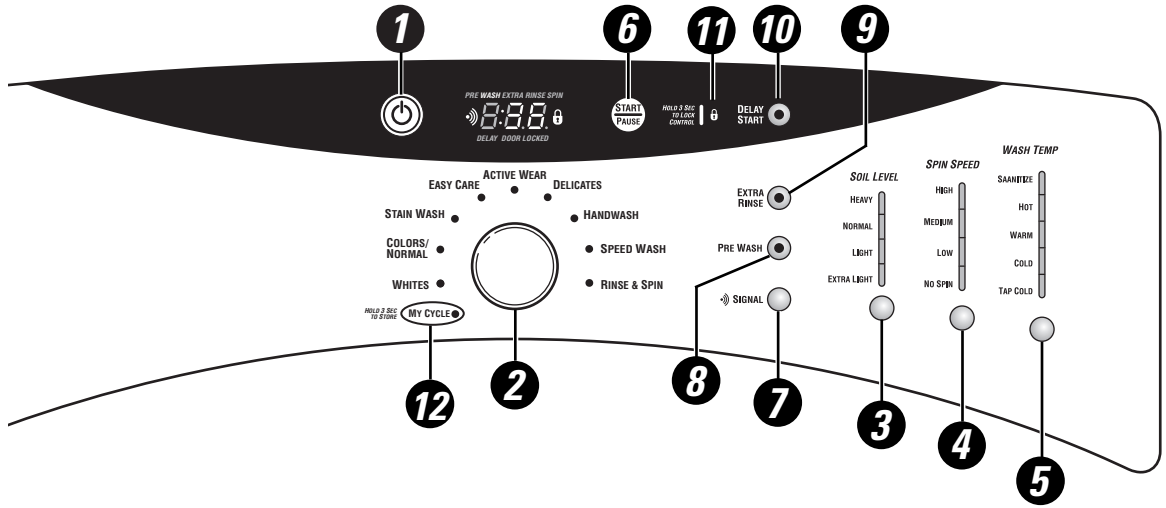
**LEA DETENIDAMENTE Y SIGA LA INFORMACIÓN DE SEGURIDAD.**

**GUARDE ESTAS INSTRUCCIONES**

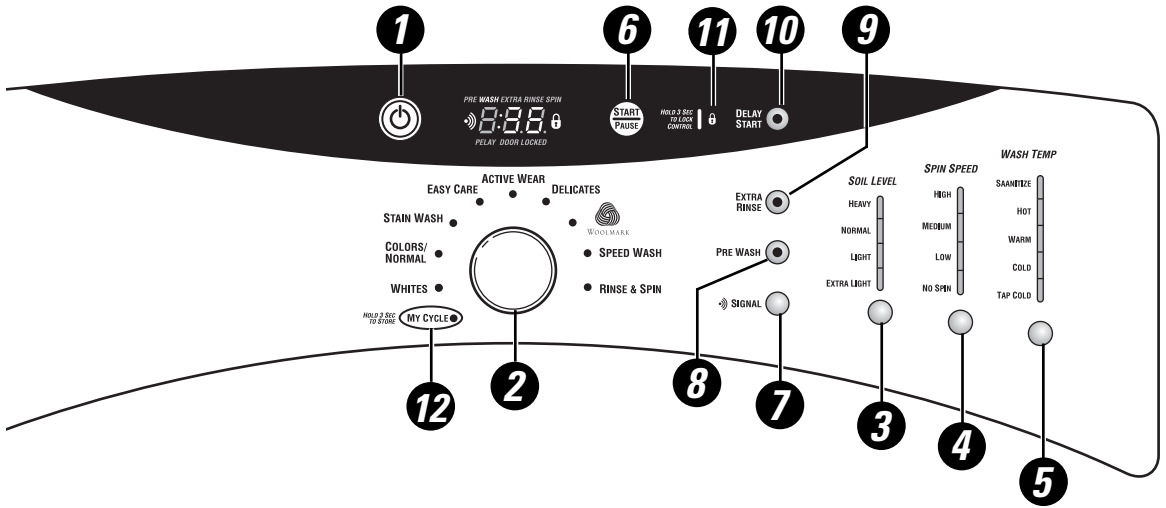
# El panel de control de la lavadora.

Puede encontrar el número de modelo en una etiqueta situada en el costado de la lavadora.

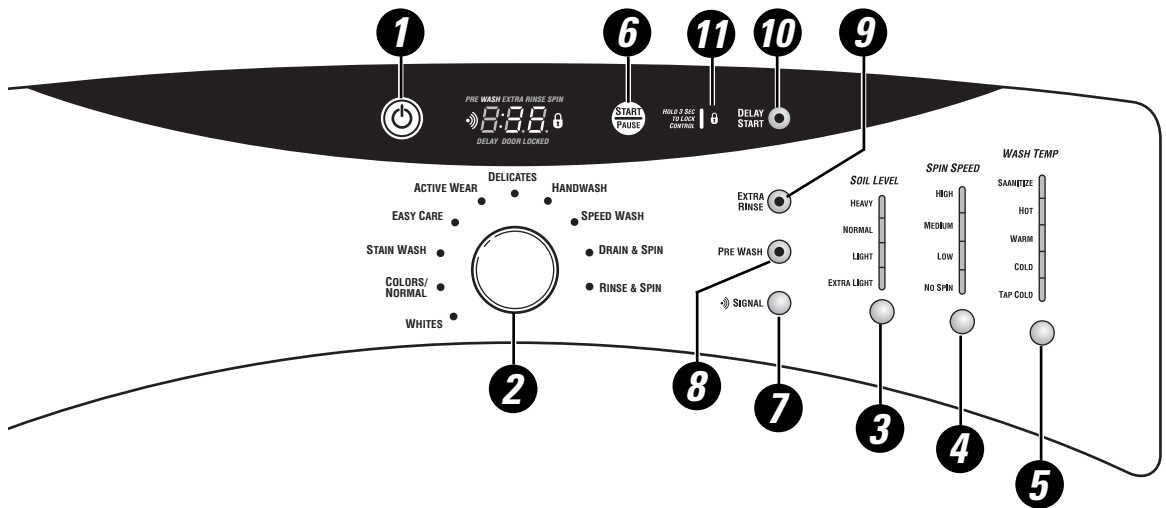
## Model WCVH6260



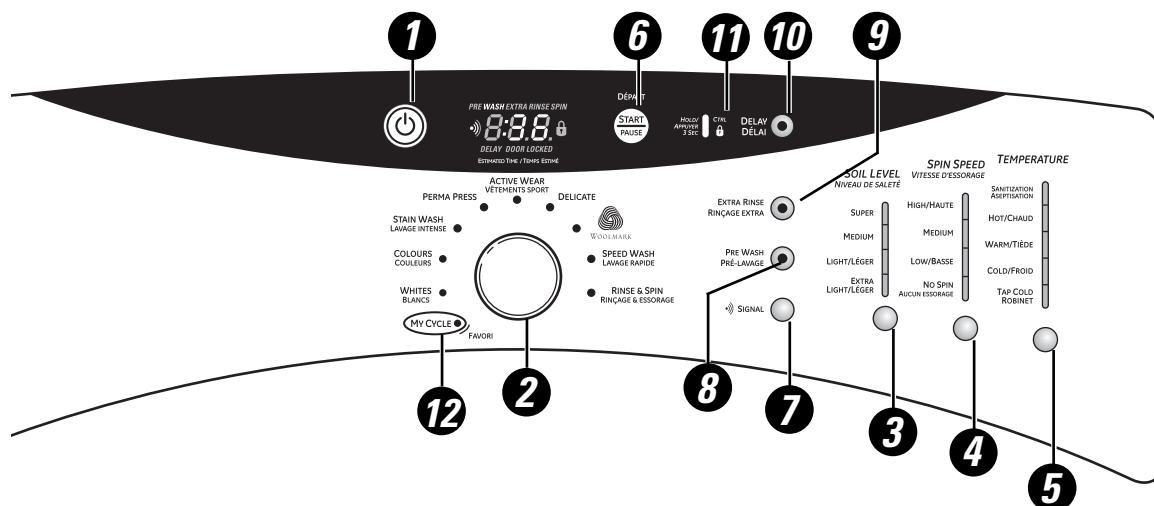
## Model WHDVH626



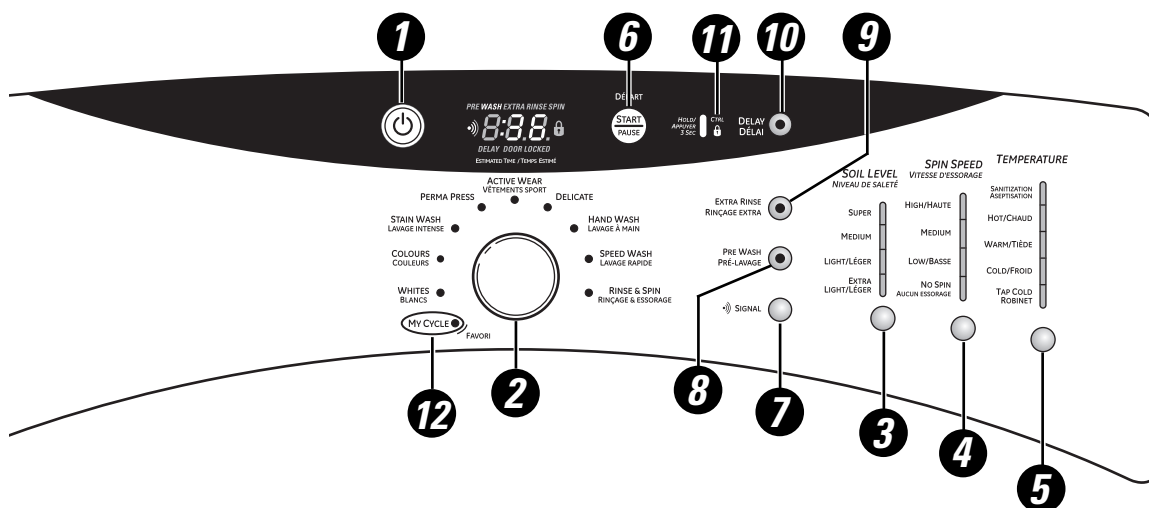
## Model WBVH6240



## Model GBVH6260



## Model GCVH6260

**1****Encendido/apagado**

Pulse este botón para “activar” la pantalla. Si la pantalla está activa, púlselo para poner la lavadora en modo de espera.

**NOTA:** Al pulsar el botón de **ENCENDIDO/APAGADO** no se desconecta la lavadora de la corriente.

# El panel de control de la lavadora.

Instrucciones de seguridad


Instrucciones de funcionamiento

Instrucciones de instalación

Consejos para la solución de problemas

Atención al cliente

- 2 Ciclos de lavado**  
Los ciclos de lavado se han optimizado para tipos específicos de cargas de lavado. La siguiente tabla le ayudará a combinar el tipo de lavado con las cargas.

<b>ROPA BLANCA</b>	Para prendas de algodón, ropa de hogar, prendas de trabajo o deportivas de color blanco con mucha o poca suciedad.
<b>ROPA DE COLOR/NORMAL</b>	Para prendas de algodón, ropa de cama, prendas de trabajo o deportivas de colores sólidos con mucha o poca suciedad.
<b>LAVADO INTENSIVO</b>	Para prendas de algodón, ropa de cama, prendas de trabajo o deportivas de colores sólidos con mucha suciedad.
<b>CUIDADO SENCILLO (PLANCHADO PERMANENTE)</b>	Para prendas en las que deseemos eliminar arrugas o conseguir un planchado permanente.
<b>ROPA DE EJERCICIO</b>	Para prendas que se utilicen a la hora de practicar deportes, ejercicios, así como algunas prendas sport. Entre los tejidos, se incluyen acabados y fibras de última tecnología como spandex, telas elásticas y microfibras.
<b>PRENDAS DELICADAS</b>	Para prendas en las que se indique que se pueden lavar a mano con poca suciedad. Proporciona una limpieza y un remojo suaves durante el lavado y el enjuagado.
<b>LAVADO A MANO</b>	Para prendas en las que se indique que se pueden lavar a mano con poca suciedad. La ropa se sacude con ligereza a fin de imitar la acción del lavado a mano.
 <b>WOOLMARK</b>	El ciclo de lavado de lana de esta lavadora ha sido aprobado por Woolmark para tratar aquellos productos de Woolmark que sean susceptibles del lavado a máquina, siempre y cuando se realice de acuerdo con las instrucciones de la etiqueta de la prenda y del fabricante de la lavadora. Cuando seleccione este ciclo, debe utilizar un detergente apropiado para el lavado de la lana.
<b>MY CYCLE (Mi ciclo)</b>	Pulse este botón para utilizar, crear o modificar los ciclos de lavado personalizados.
<b>LAVADO RÁPIDO</b>	Para prendas con poca suciedad que se necesiten en poco tiempo. La duración del ciclo es de aproximadamente 30 minutos, dependiendo de las opciones seleccionadas.
<b>CENTRIFUGADO Y DESAGÜE</b>	Para centrifugar y desaguar en cualquier momento.
<b>ENJUAGADO Y CENTRIFUGADO</b>	Para enjuagar las prendas rápidamente en cualquier momento.

- 3 Nivel de suciedad**  
Al cambiar el NIVEL DE SUCIEDAD, aumenta o disminuye el tiempo de lavado con el fin de eliminar las distintas cantidades de suciedad.  
Para cambiar el NIVEL DE SUCIEDAD, pulse el botón **SOIL LEVEL** (Nivel de suciedad) hasta obtener el valor deseado. Puede elegir entre los niveles de suciedad Extra Light (Muy poca), Light (Poca), Normal o Heavy (Mucha).

- 4 Velocidad de centrifugado**  
Al cambiar la Velocidad de centrifugado, cambia la velocidad final de centrifugado de los ciclos. Siga siempre las indicaciones de la etiqueta de cuidado del tejido del fabricante al cambiar la Velocidad de centrifugado.  
Para cambiar la Velocidad de centrifugado, pulse el botón **SPIN SPEED** (Velocidad de centrifugado) hasta obtener el valor deseado. Las velocidades de centrifugado más rápidas no están disponibles en determinados ciclos, como Delicates (Prendas delicadas).  
Con dichas velocidades, se elimina más agua de las prendas y se reduce el tiempo de secado, aunque también puede aumentar la posibilidad de que se formen arrugas en algunos tejidos.

- 5 Temperatura de lavado**  
Ajuste este control para seleccionar la temperatura del agua adecuada para el ciclo de lavado. El agua de prelavado y enjuagado está siempre fría para poder reducir el consumo de energía y las manchas y arrugas. Siga las indicaciones de la etiqueta de cuidado del tejido del fabricante al seleccionar la temperatura de lavado.

Para cambiar la temperatura de lavado, pulse el botón **WASH TEMP** (Temperatura de lavado) hasta obtener el valor deseado. La temperatura de lavado de desinfección no está disponible en determinados ciclos, como Delicates (Prendas delicadas).

Al seleccionar la temperatura de Sanitize (Esterilización), la lavadora aumenta la temperatura del agua para esterilizar y eliminar más del 99% de las bacterias que aparecen de forma frecuente en los lavados hogareños. La temperatura de esterilización está disponible exclusivamente en los ciclos de Stain Wash (Lavado de manchas) y Whites Wash (Lavado de prendas blancas). Para obtener mejores resultados, seleccione la configuración de suciedad excesiva cuando utilice la opción de temperatura de Esterilización.

**NOTA:** Los 10 primeros segundos de la toma de agua, siempre está fría. Esta función permite acondicionar el tejido y evitar que las manchas se adhieran a las prendas.


- 6 START/PAUSE (Iniciar/pausa)**  
Pulse este botón para iniciar un ciclo de lavado. Si la lavadora está en funcionamiento, al pulsarlo una vez, la lavadora se detendrá y se desbloqueará la puerta. Vuelva a pulsar el botón para reiniciar el ciclo de lavado.

**NOTA:** Si la lavadora está detenida y el ciclo no se reinicia en 2 horas, se cancelará el ciclo de lavado actual.

# Acerca de las funciones de la lavadora.


NOTA: Puede que estas funciones no estén disponibles en todos los modelos de la lavadora.

ge.com

**7**  **Cycle Signal (Señal de ciclo)**

Utilice el botón **SIGNAL** (Señal) para cambiar el volumen de la señal de final del ciclo.


Pulse el botón hasta alcanzar el volumen deseado.

**8**  **Pre Wash (Prelavado)**

El prelavado es un lavado adicional que se realiza antes del lavado principal. Utilícelo con prendas muy sucias o con aquellas prendas en cuyas etiquetas de cuidado se recomienda realizar un prelavado. Asegúrese de añadir

detergente de alta eficacia o la sustancia de lavado correspondiente en la cubeta de prelavado.

**NOTA:** Al seleccionar el prelavado, se recomienda utilizar detergente en polvo en el depósito de detergente del lavado principal.

**9**  **Extra Rinse (Enjuagado extra)**

Use esta función cuando desee un enjuagado adicional para eliminar los

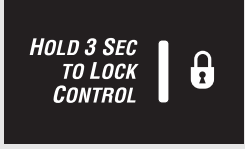
restos de suciedad y detergente en cargas sucias.

**10**  **Delay Start (Retrasar inicio)**

Puede retrasar el inicio del ciclo de lavado hasta 12 horas. Pulse el botón **DELAY START** (Retrasar inicio) para seleccionar el número de horas que desee retardar el inicio del ciclo y, a continuación, pulse el botón **START** (Iniciar). La lavadora comenzará la cuenta regresiva y se pondrá en funcionamiento automáticamente a la hora señalada.

**NOTA:** Si olvida cerrar por completo la puerta, sonará una señal para recordárselo.

**NOTA:** Si abre la puerta durante la cuenta regresiva, la lavadora entrará en estado de pausa. Debe cerrar la puerta y pulsar de nuevo **START** (Iniciar) para reiniciar la cuenta regresiva.

**11**  **Lock (Bloquear)**

Puede bloquear los controles para impedir que se realice cualquier selección. O bien puede bloquear los controles después de haber iniciado un ciclo.


Con esta opción seleccionada, los niños no podrán poner en marcha la lavadora de manera fortuita aunque toquen el panel.

Para bloquear la lavadora, mantenga pulsado el botón de bloqueo durante 3 segundos. Para desbloquear los

controles de la lavadora, mantenga pulsado el botón de bloqueo durante 3 segundos.

El icono de bloqueo de los controles que aparece en la pantalla se encenderá cuando esté activado.

**NOTA:** El botón de **POWER** (encendido/apagado) puede seguir utilizándose cuando la lavadora está bloqueada.

**12**  **MY CYCLE (Mi ciclo)**

Para guardar el ciclo que prefiera, establezca los valores deseados y mantenga pulsado el botón **MY CYCLE** (Mi ciclo) durante 3 segundos. Sonará un pitido para indicar que el ciclo se ha guardado.

Para utilizar el ciclo personalizado, pulse el botón **MY CYCLE** (Mi ciclo) antes de lavar una carga.

Para cambiar el ciclo guardado, establezca los valores deseados y

mantenga pulsado el botón **MY CYCLE** (Mi ciclo) durante 3 segundos.

**NOTA:** Al utilizar **MY CYCLE** (Mi ciclo), no se pueden modificar las opciones de lavado una vez que comience el ciclo.

**NOTA:** Si cambia las opciones de lavado con **MY CYCLE** (Mi ciclo) antes de que el ciclo comience, el indicador de **MY CYCLE** (Mi ciclo) se apagará y volverá al ciclo base.

Instrucciones de seguridad

Instrucciones de funcionamiento

Instrucciones de instalación

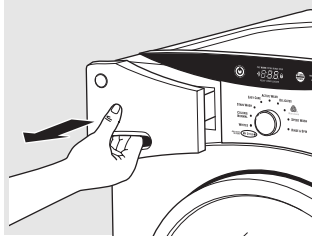
Consejos para la solución de problemas

Atención al cliente

# Acerca de las funciones de la lavadora.

NOTA: Puede que estas funciones no estén disponibles en todos los modelos de la lavadora.

Instrucciones de seguridad



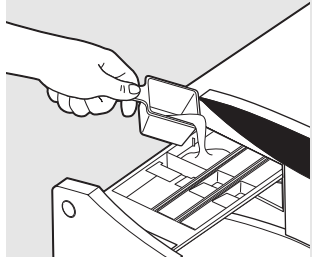
## Depósito de detergente

Abra lentamente el depósito de detergente tirando de él hasta que se detenga.

Tras añadir los productos de lavado, ciérrelo despacio. Si cierra el depósito demasiado rápido, puede provocar que la lejía, el suavizante o el detergente se administren antes de tiempo.

Es posible que observe agua en los compartimentos de lejía y suavizante al final del ciclo. Este es el resultado de la acción de trasvase y forma parte del funcionamiento normal de la lavadora.

Instrucciones de funcionamiento



## Compartimento de prelavado

- Utilice sólo el compartimento de prelavado si va a seleccionar el ciclo Pre Wash (Prelavado) para prendas muy sucias. Añada la cantidad de detergente o de sustancia de prelavado al compartimento de prelavado situado en la parte posterior izquierda del depósito de detergente.
- El detergente o la sustancia de prelavado se añaden desde el depósito durante el ciclo de prelavado (en caso de que se seleccione).

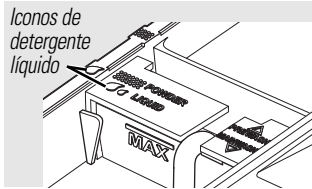
NOTA: El detergente líquido se vaciará en el tambor de la lavadora a medida que se añada.

- Es posible que haya que ajustar el uso de detergente a la temperatura del agua, a la dureza de la misma, al tamaño y al nivel de suciedad de la carga. Evite utilizar demasiado detergente en la lavadora ya que puede producir demasiado jabón y dejar restos en las prendas.

Instrucciones de instalación



Colóquelo en la posición trasera para utilizar detergente en polvo



Colóquelo en la posición delantera para utilizar detergente líquido

## Compartimento para el detergente

- Se recomienda utilizar detergente de alta eficacia con esta lavadora. Use la cantidad recomendada por el fabricante del detergente.

La pieza de selección de detergente se debe colocar en el compartimento de detergente en la posición específica con respecto al tipo de detergente que se vaya a utilizar.

- **Detergente en polvo** – Coloque la pieza en la posición trasera. Los iconos de detergente en polvo deben quedar alineados cuando la pieza esté en la posición de detergente en polvo.
- **Detergente líquido** – Coloque la pieza en la posición delantera. Los iconos de detergente líquido deben quedar alineados cuando la pieza esté en la posición de detergente líquido.

Mueva la pieza sacándola y deslizándola entre las ranuras del compartimento de detergente delantero o trasero, según desee, para detergente líquido o en polvo.

- Añada la medida de detergente al compartimento de detergente delantero izquierdo del depósito.
- El detergente se añade desde el depósito al comienzo del ciclo de lavado. Se puede utilizar tanto detergente en polvo como líquido.
- Es posible que haya que ajustar el uso de detergente a la temperatura del agua, a la dureza de la misma, al tamaño y al nivel de suciedad de la carga. Evite utilizar demasiado detergente en la lavadora ya que puede producir demasiado jabón y dejar restos en las prendas.

Consejos para la solución de problemas



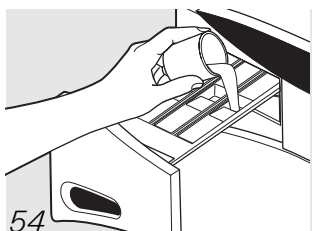
## Compartimento para lejía líquida

Si lo desea, mida la cantidad recomendada de lejía líquida, que no sobrepase 1/3 del recipiente (80 ml) y viértala en el compartimento central con la etiqueta "Liquid Bleach" (Lejía líquida) marcado con este símbolo

No sobrepase la línea de llenado máximo. Un llenado excesivo puede hacer que la lejía se administre demasiado pronto y, como resultado, dañe las prendas.

NOTA: No utilice lejía en polvo en el depósito.

Atención al cliente



## Compartimento para el suavizante

Si lo desea, vierta la cantidad recomendada de suavizante líquido en el compartimento con la etiqueta "Fabric Softener" (Suavizante). Utilice sólo suavizante líquido en el depósito.

Dilúyalo con agua hasta la línea de llenado máximo.

No sobrepase la línea de llenado máximo. Un llenado excesivo puede hacer que el suavizante se administre demasiado pronto y manche las prendas.

NOTA: No vierta directamente el suavizante sobre la carga.

# Carga y uso de la lavadora.

Siga siempre las indicaciones de la etiqueta de cuidado del tejido del fabricante en el lavado y el planchado.

ge.com



## Separación de cargas

Ordene la ropa sucia en cargas que se puedan lavar juntas.

Colores	Suciedad	Tejido	Pelusas
Ropa blanca	Mucha	Prendas delicadas	Prendas que sueltan pelusa
Ropa de colores claros	Normal	Prendas de fácil cuidado	Prendas a las que se adhiere la pelusa
Ropa de colores oscuros	Poca	Prendas resistentes de algodón	

- Combine las prendas grandes y pequeñas en cada carga. Cargue primero las prendas grandes. Las prendas grandes no deben representar más de la mitad de la carga total de lavado.
- No se recomienda lavar prendas sueltas. Esto puede producir una carga desequilibrada. Añada una o dos prendas similares.
- Las almohadas y los edredones no deben mezclarse con otras prendas. Esto puede producir una carga desequilibrada.



## Carga de la lavadora

Puede que el tambor de la lavadora esté totalmente lleno con prendas sueltas que se añadan. **No lave tejidos que contengan materiales inflamables (ceras, líquidos de limpieza, etc.).**

Para añadir prendas una vez que la lavadora esté en marcha, pulse **START/PAUSE** (Iniciar/pausa) y espere hasta que se desbloquee la puerta. La lavadora puede tardar unos 30 segundos en desbloquear la puerta después de pulsar **START/PAUSE** (Iniciar/pausa) dependiendo de las condiciones de la misma. No intente forzar la puerta para abrirla cuando esté bloqueada. Una vez que se desbloquee, ábrala con cuidado. Añada prendas, cierre la puerta y pulse **START/PAUSE** (Iniciar/pausa) para reiniciar el funcionamiento.



## Cuidado y limpieza

**Exterior:** Limpie inmediatamente cualquier vertido. Utilice un trapo húmedo. No aplique objetos afilados a la superficie.

**Interior:** Seque alrededor de la abertura de la puerta de la lavadora, así como la junta obturadora elástica (incluidas las tuberías conectadas) y el cristal de la puerta. Estas zonas deben estar siempre limpias para garantizar un sellado hermético frente al agua.

Se recomienda limpiar internamente la lavadora al menos una vez al año con 1/3 de vaso de lejía (sin carga), utilizando cualquiera de los ciclos de lavado.

**Desplazamiento y almacenamiento:** Pida al técnico de servicio que elimine el agua de las tuberías y la bomba de desagüe. No guarde la lavadora en un lugar donde esté expuesta a las inclemencias climáticas. Al mover la lavadora, la cuba debe mantenerse estable utilizando los pernos de transporte que se han extraído durante la instalación. Consulte las Instrucciones de instalación en este manual. Si estas piezas no están disponibles, se pueden solicitar a través del sitio Web [www.ge.com](http://www.ge.com) o llamando al 800.GE.CARES.

**Largas vacaciones:** Asegúrese de cortar el agua de todas las llaves de paso. Vacíe todas las tuberías de agua si la temperatura va a encontrarse por debajo de cero grados.

Instrucciones de seguridad

Instrucciones de funcionamiento

Instrucciones de instalación

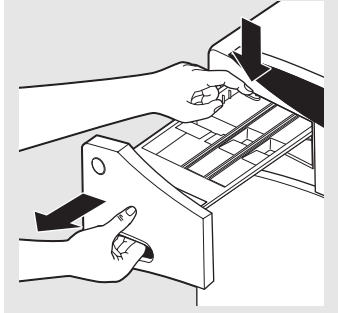
Consejos para la solución de problemas

Atención al cliente

# Carga y uso de la lavadora.

Siga siempre las indicaciones de la etiqueta de cuidado del tejido del fabricante en el lavado y el planchado..

Instrucciones de seguridad

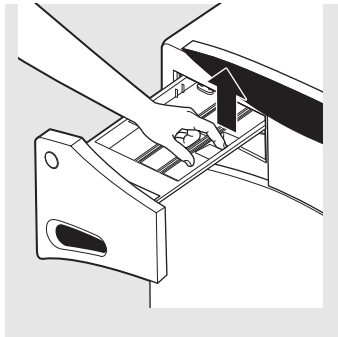


La lengüeta de bloqueo sólo es visible tras sacar el depósito

**Zona del depósito de detergente:** El detergente y el suavizante pueden acumularse en el depósito de detergente. Los residuos deben eliminarse una o dos veces al mes.

- Saque el depósito tirando de él hasta que se detenga. En la esquina trasera izquierda de la cavidad del cajón, presione firmemente en la pestaña de bloqueo y tire a la vez del depósito.

Instrucciones de funcionamiento



- Extraiga las piezas de los compartimentos para lejía y suavizante, así como la pieza del detergente. Lave las piezas y el depósito con agua caliente para eliminar los restos de productos de limpieza acumulados.

Instrucciones de instalación



- Para limpiar la abertura del depósito, utilice un cepillo pequeño a fin de limpiar los huecos. Retire todos los restos de las partes superior e inferior del hueco.
- Vuelva a colocar las piezas en los compartimentos correspondientes. Introduzca de nuevo el depósito de detergente.

Consejos para la solución de problemas

Atención al cliente





## Etiquetas de cuidado de tejido

A continuación se muestran “símbolos” de etiquetas de cuidado de tejido que afectan a las prendas que se lavan.

### ETIQUETAS DE LAVADO

<b>Ciclo de lavado en máquina</b>						
	Normal	Planchado permanente/ resistente a arrugas	Suave/ delicado	Lavar a mano	No lave	No escurra
<b>Temperatura del agua</b>						
	Caliente (50°C/120°F)	Tibia (40°C/105°F)	Fria/fresca (30°C/85°F)			

### ETIQUETAS DE LEJÍA

<b>Símbolos de blanqueador</b>			
	Cualquier blanqueador (cuando se necesita)	Sólo blanqueador sin cloro (cuando se necesita)	No use blanqueador

# Instrucciones de instalación

# Lavadora

Modelos **GBHV6260**  
**GCVH6260**  
**WCVH6260**  
**WBVH6240**  
**WHDVH626**

**Si tiene alguna pregunta, llame a 800.GE.CARES (1.800.432.2737) o visite nuestro sitio Web en: [ge.com](http://ge.com)**

## ANTES DE COMENZAR

Lea detenidamente todas las instrucciones.

- **IMPORTANTE** – Guarde estas instrucciones para uso del inspector local.
- **IMPORTANTE** – Cumpla todos los códigos y ordenanzas regulatorias.
- **Nota al instalador** – Asegúrese de dejar estas instrucciones al usuario.
- **Nota al usuario** – guarde estas instrucciones para consultas futuras.
- **Nivel de habilidad** – la instalación de este electrodoméstico requiere habilidades mecánicas y eléctricas básicas.
- **Duración** – de 1 a 3 horas
- La instalación adecuada es responsabilidad del instalador.
- La garantía no cubre fallas producidas por la instalación inadecuada del producto.

## PARA SU SEGURIDAD:

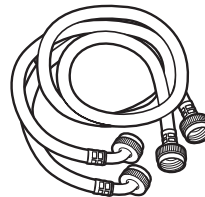
### ⚠ ADVERTENCIA

- Este electrodoméstico se debe conectar a tierra e instalar correctamente tal y como se describe en estas *Instrucciones de instalación*.
- No instale ni guarde este electrodoméstico en una zona en la que esté expuesto al agua o al exterior. Consulte la sección *Ubicación de la lavadora*.
- **NOTA:** Este electrodoméstico debe estar correctamente conectado a tierra y la corriente eléctrica de la lavadora debe cumplir los códigos y ordenanzas locales, así como la última edición del Código eléctrico nacional, ANSI/NFPA 70.

## HERRAMIENTAS NECESARIAS PARA LA INSTALACIÓN DE LA LAVADORA

- Llave para tuercas de 1/4"
- Toma de corriente con trinquete de 3/8"
- Llave de boca de 3/8"
- Llave inglesa o toma de corriente con trinquete de 7/16"
- Llave inglesa o llave de boca de 9/16
- Alicates ajustables Channel-lock
- Nivel de carpintero

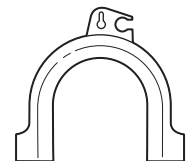
## PIEZAS INCLUIDAS



Tuberías de agua (2)



Abrazadera de cable



Guía de tuberías

# Instrucciones de instalación

## UBICACIÓN DE LA LAVADORA

### No instale la lavadora:

1. En un área expuesta a goteras o a las condiciones del exterior. La temperatura ambiente no debe ser nunca inferior a 60°F (15.6°C) para que la lavadora funcione correctamente.
2. En una zona en la que pueda entrar en contacto con cortinas u otras telas.
3. Sobre una alfombra. El suelo DEBE ser una superficie dura con una inclinación máxima de 1/2" por pie (1.27 cm por cada 30 cm). Para asegurarse de que la lavadora no vibre ni se mueva, es posible que tenga que reforzar el suelo.

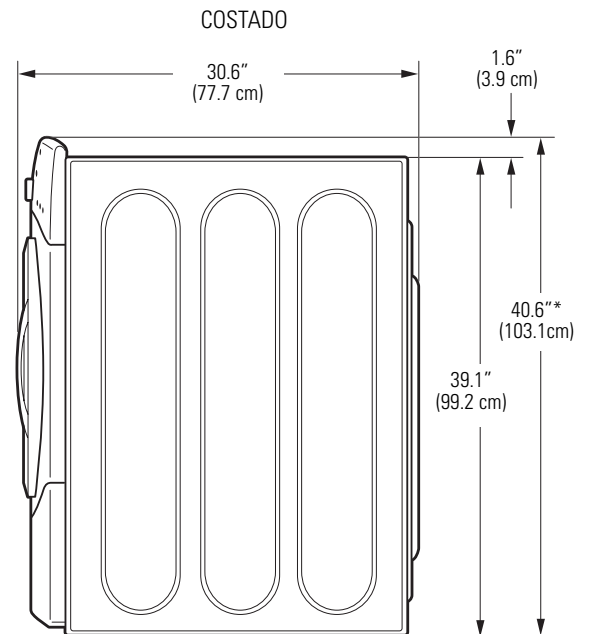
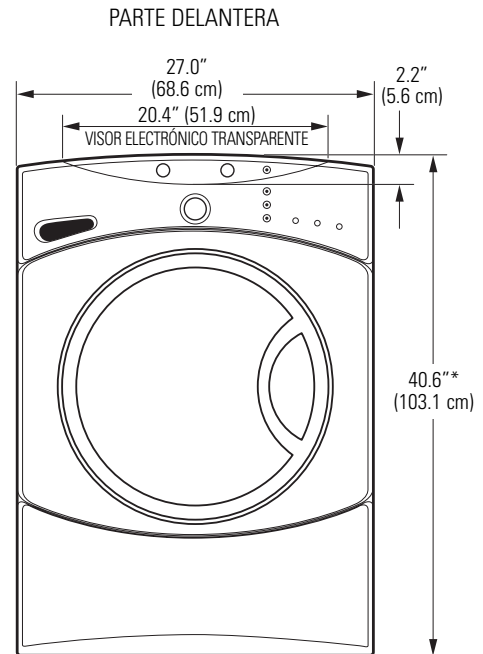
**NOTA:** Si el suelo se encuentra en mal estado, utilice una plancha con 3/4" de contrachapado bien fija al revestimiento existente en el suelo.

### IMPORTANTE:

### Distancias mínimas de separación para la instalación

- Cuando se instale en alcoba: costados, parte trasera, parte superior = 0" (0 cm)
- Cuando se instale en un armario: costados, parte trasera, parte superior = 0" (0 cm), parte delantera = 1" (2.54 cm)
- Aberturas de ventilación necesarias en la puerta del armario:  
2 listones, cada uno de 60 pulgadas cuadradas (387 cm<sup>2</sup>), situados a 3" (7.6 cm) de las partes superior e inferior de la puerta

## DIMENSIONES APROXIMADAS



\*NOTA: Con soporte, 52.6"  
Apilada, 84"

# Instrucciones de instalación

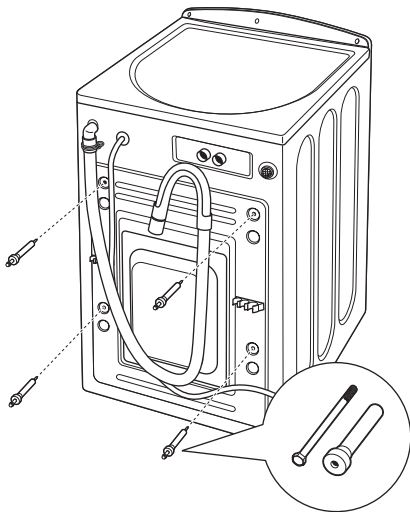
## DESEMBALAJE DE LA LAVADORA

**⚠️ ADVERTENCIA:** Recicle o deseche la caja de cartón y las bolsas de plástico una vez que haya desembalado la lavadora. Mantenga estos materiales fuera del alcance de los niños, pues éstos podrían utilizarlos para jugar. Las cajas de cartón cubiertas con mantas, colchas o láminas de plástico pueden convertirse en cámaras de aire herméticas y producir asfixia.

1. Corte y retire las bandas de embalaje superiores e inferiores.
2. Mientras se encuentre dentro de la caja, coloque con cuidado la lavadora sobre el costado de la misma. NO la tumbé por la parte delantera ni trasera.
3. Abra las tapas inferiores y retire todo el embalaje de la base, incluido el cartón, la base y el soporte de la cuba de espuma de poliestireno (insertado en el centro de la base).

**NOTA:** Si va a instalar una plataforma, continúe con las instrucciones de instalación correspondientes de la misma.

4. Vuelva a levantar la lavadora con cuidado y retire la caja de cartón.
5. Desplace poco a poco la lavadora hasta 4 pies (122 cm) de su ubicación definitiva.
6. Quite las siguientes piezas de la parte trasera de la lavadora:
  - 4 pernos
  - 4 separadores de plástico (incluidas las arandelas de goma)
  - 4 sujeciones del cable de alimentación



**NOTA:** Si se retiran incorrectamente los pernos de transporte, puede que la lavadora se vea gravemente desequilibrada.

**Guarde todos los pernos para uso futuro.**

**NOTA:** Si necesitara transportar la lavadora posteriormente, debe volver a colocar las piezas de sujeción para el transporte con el fin de evitar daños durante el mismo. Guarde dichas piezas en la bolsa de plástico que se incluye.

# Instrucciones de instalación

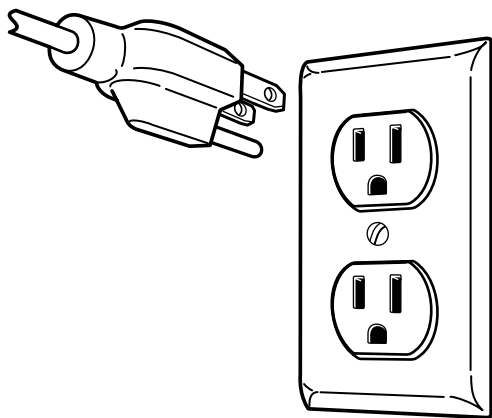
## REQUISITOS ELÉCTRICOS

Lea detenidamente todas las instrucciones.

**CIRCUITO** – Circuito derivado de 15 amperios individual, correctamente polarizado y conectado a tierra, con interruptor o fusible de retardo de 15 amperios.

**ALIMENTACIÓN ELÉCTRICA** – corriente alterna de 60 Hz, monofásica, de 120 voltios, con conexión a tierra, bifilar.

**RECEPTÁCULO DE SALIDA** – receptáculo correctamente conectado a tierra con 3 clavijas, situado de forma que se pueda acceder al cable de alimentación cuando la lavadora esté instalada.



## REQUISITOS DE CONEXIÓN A TIERRA

**⚠ ADVERTENCIA:** La conexión incorrecta del conductor de tierra del equipo puede causar riesgos de descargas eléctricas. Consulte a un electricista calificado si tiene dudas acerca de la conexión a tierra correcta del electrodoméstico.

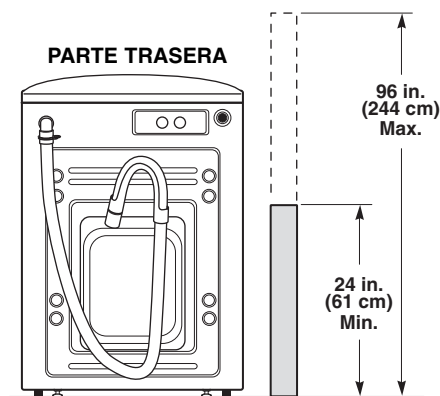
1. La lavadora **DEBE** estar conectada a tierra. En caso de un mal funcionamiento o avería, la conexión a tierra reducirá el riesgo de descargas eléctricas al proporcionar un recorrido de resistencia mínima a la corriente eléctrica.
2. Debido a que la lavadora está equipada con un cable de alimentación que tiene un conductor para conexión a tierra y una clavija de conexión a tierra, la clavija se **DEBE** enchufar en el receptáculo de hilo de cobre apropiado que se haya instalado y conectado a tierra correctamente de acuerdo con todos los códigos y ordenanzas locales o, a falta de normativa local, con el Código eléctrico nacional, ANSI/NFPA 70 (última edición). En caso de duda, llame a un electricista calificado. **NO** corte ni modifique la clavija de conexión a tierra del cable de alimentación. En situaciones en las que exista un receptáculo de dos ranuras, es responsabilidad del propietario que un electricista calificado lo sustituya por **un receptáculo apropiado de tipo de conexión a tierra** para tres clavijas.

## REQUISITOS DE SUMINISTRO DE AGUA

Las llaves de paso de agua caliente y fría **DEBEN** encontrarse a 42 pulgadas (107 cm) como máximo de la toma de agua de la lavadora. Las llaves de paso **DEBEN** ser de 3/4" (1.9 cm) y tipo jardín para que se puedan conectar las tuberías de entrada. La presión del agua **DEBE** estar entre 10 y 120 libras por pulgada cuadrada. La compañía de agua puede informarle de la presión del agua. La temperatura del agua caliente se debe establecer para suministrar agua a una temperatura de entre 120° y 140°F (48°– 60°C).

## REQUISITOS DE DESAGÜE

1. Desagüe capaz de eliminar 17 galones (64.3 l) por minuto.
2. Diámetro mínimo de tubería vertical de 1 1/4" (3.18 cm).
3. La altura de la tubería vertical desde el suelo debe ser:  
Altura mínima: 24" (61 cm)  
Altura máxima: 96" (244 cm)

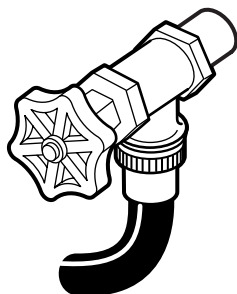
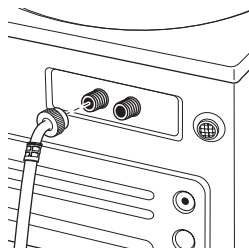


**NOTA:** La tubería de desagüe de la lavadora puede alcanzar la altura de una tubería vertical de 58" (147 cm). Para una tubería vertical más alta, póngase en contacto con un distribuidor de piezas autorizado.

# Instrucciones de instalación

## INSTALACIÓN DE LA LAVADORA

1. Deje correr un poco de agua de los grifos de agua caliente y fría para purgar las tuberías de agua y eliminar las partículas que puedan obstruir los filtros de la válvula de agua.
2. Saque las tuberías de entrada de la bolsa de plástico.
3. (Extremo acodado de 90°)  
Conecte con cuidado la tubería de entrada marcada con HOT (Caliente) a la salida "H" exterior de la válvula de agua. Apriete con la mano y, a continuación, apriete 2/3 de vuelta con los alicates. Conecte con cuidado la otra tubería de entrada a la salida "C" interior de la válvula de agua. Apriete con la mano y, a continuación, apriete 2/3 de vuelta con los alicates. **No pase las roscas ni apriete excesivamente estas conexiones.**
4. Conecte los extremos de la tubería de entrada a las tomas de agua CALIENTE y FRÍA ajustándolos con la mano y, a continuación, apriete de nuevo 2/3 de vuelta con los alicates. Abra la llave de paso y compruebe que no hay ninguna fuga.

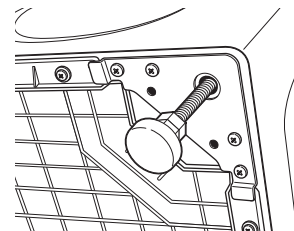


5. Desplace la lavadora con cuidado hasta su ubicación final. Mueva suavemente la lavadora para situarla en su lugar.

**NOTA:** No utilice el depósito de detergente ni la puerta para levantar la lavadora.

**NOTA:** Si se instala en un depósito de desagüe, puede utilizar una tabla 2x4 de 24 pulgadas de longitud para colocar la lavadora en su lugar haciendo palanca.

6. Una vez situada la lavadora en su posición final, coloque un nivel en la parte superior de la misma (si está instalada debajo de un contador, la lavadora no debería vibrar). Ajuste los soportes de nivelación delanteros hacia arriba o hacia abajo para asegurarse que la lavadora se apoya en una superficie sólida. Gire las contratuercas de cada soporte hacia la base de la lavadora y apriételas con una llave.



**NOTA:** Mantenga la extensión de los soportes al mínimo para evitar una vibración excesiva. Cuanto más se extiendan los soportes, más vibrará la lavadora.

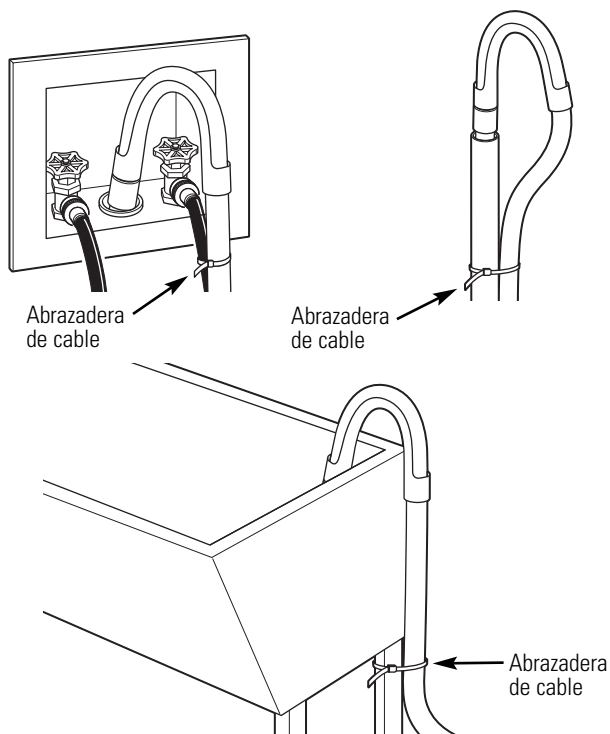
Si el suelo no está nivelado o está dañado, puede que sea necesario extender los soportes de nivelación traseros.

# Instrucciones de instalación

## INSTALACIÓN DE LA LAVADORA (cont.)

7. Coloque la guía de la tubería en forma de U en el extremo de la tubería de desagüe. Coloque la tubería en una pila de lavar o tubería vertical y sujétela con la abrazadera de cable que se proporciona en el paquete adjunto.

**NOTA:** Si la tubería de desagüe se coloca en una tubería vertical que no tiene forma de U, se puede producir un efecto sifón. Debe haber un espacio de aire alrededor de la tubería de desagüe. Una tubería demasiado ajustada también puede producir un efecto de sifón.



8. Enchufe el cable de alimentación en una salida de conexión a tierra.

**NOTA:** Asegúrese de que la alimentación está cortada en un interruptor/caja de fusibles antes de enchufar el cable de alimentación a una toma de corriente.

9. Conecte la alimentación a un interruptor/caja de fusibles.

10. Lea el resto del Manual del propietario. Contiene información valiosa y útil que supondrá un ahorro de tiempo y dinero.

### 11. Antes de poner en funcionamiento la lavadora, asegúrese de comprobar lo siguiente:

- La alimentación está conectada.
- La lavadora está enchufada.
- Las llaves de paso están abiertas.
- La lavadora está nivelada.
- Las piezas de sujeción para el transporte se han quitado y guardado.
- La tubería de desagüe se ha asegurado correctamente.
- No existe ninguna fuga en la llave de paso, la tubería de desagüe ni la lavadora.

12. Ponga en funcionamiento la lavadora en un ciclo completo. Compruebe que no haya fugas de agua y que funcione correctamente.

13. Si la lavadora no funciona, revise la sección *Antes de llamar al servicio de asistencia técnica* antes de ponerse en contacto con el servicio de asistencia técnica.

14. Coloque las instrucciones en un lugar próximo a la lavadora para futuras consultas.

## PIEZAS DE REPUESTO

Si se necesitan piezas de repuesto para la lavadora, se pueden solicitar en Estados Unidos a través del sitio Web [ge.com](http://ge.com) o llamando a 800.GE.CARES.

# Antes de llamar al servicio de asistencia técnica...



Consejos para la solución de problemas  
¡Ahorre tiempo y dinero! Consulte primero las tablas de las páginas siguientes y quizás no necesite llamar al servicio de asistencia técnica.

Instrucciones de seguridad

Instrucciones de funcionamiento

Instrucciones de instalación

Consejos para la solución de problemas

Atención al cliente

AGUA	Causas posibles	Solución
Fugas de agua	Las tuberías de toma de agua o la tubería de desagüe no se han conectado correctamente	• Asegúrese de que se han apretado correctamente las conexiones de las tuberías de la lavadora y las llaves de paso y que el extremo de la tubería de desagüe se ha introducido y fijado correctamente al desagüe.
	Puede que la tubería de desagüe de la vivienda se haya obstruido	• Compruebe las tuberías de la vivienda. Es posible que tenga que llamar a un plomero.
	Presión de agua constante en las tuberías de toma de agua	• Apriete las tuberías a la altura de las llaves de paso y cierre el agua después de cada uso. • Compruebe el estado de las tuberías de toma de agua; deben sustituirse cada 5 años.
Demasiada espuma	Exceso de espuma	• Utilice menos detergente o un detergente menos espumoso.
	Tipo de detergente	• Cambie a un detergente de alta eficacia y siga las instrucciones del paquete.
No se desagua	Agua muy blanda	• Pruebe utilizar menos detergente.
	La tubería de desagüe está torcida o no se ha conectado correctamente	• Enderece la tubería de desagüe y asegúrese de que la lavadora no está situada sobre la misma. • La parte superior de la salida del desagüe debe estar a menos de 8 pies (2.5 m) del suelo.
La temperatura del agua	Puede que la tubería de desagüe de la vivienda esté obstruida	• Compruebe las tuberías de la vivienda. Puede que sea necesario llamar a un plomero.
	El suministro de agua no está conectado correctamente	• Asegúrese de que las tuberías están conectadas a las tomas correctas.
El agua no entra en la lavadora o entra lentamente	El calentador de agua de la vivienda no se ha ajustado correctamente	• Asegúrese de que el calentador de agua de la vivienda suministre agua a 120°–140°F (48°–60°C).
	El suministro de agua está cerrado	• Abra por completo las llaves de paso de agua fría y caliente.
Las válvulas de agua se abren después de la toma de agua	Los filtros de la válvula de agua están obstruidos	• Cierre la llave de paso y quite las tuberías de conexión de agua de la parte trasera superior de la lavadora. Utilice un cepillo o un palillo de dientes para limpiar los filtros de la lavadora. Vuelva a conectar las tuberías y abra la llave de paso.
	Funcionamiento normal	• Esta lavadora cuenta con la tecnología Smart Fill, que adapta el nivel de agua durante el ciclo de lavado para optimizar el rendimiento.
FUNCIONAMIENTO	Causas posibles	Solución
La lavadora se detiene durante un ciclo	Generalmente la lavadora se detiene entre las fases de lavado	
	La lavadora está realizando la comprobación inicial de cierre	• La lavadora realiza una comprobación cada vez que se pone en funcionamiento. La lavadora se bloquea, agita el tambor y, a continuación, se desbloquea durante diez segundos para garantizar un funcionamiento seguro.



<b>FUNCIONAMIENTO</b>	<b>Causas posibles</b>	<b>Solución</b>
<b>La lavadora no funciona</b>	<b>La lavadora está desenchufada</b>	• Asegúrese de que el cable esté bien enchufado en una toma de corriente que funcione.
	<b>Se ha cerrado el suministro de agua</b>	• Abra totalmente las llaves de paso de agua fría y caliente.
	<b>El interruptor/fusible se ha quemado/saltado</b>	• Compruebe los interruptores/fusibles de la vivienda. Cambie los fusibles o restablezca el interruptor. La lavadora debe tener una toma individual.
	<b>Los controles no se han establecido correctamente</b>	• Mantenga pulsado el botón START/PAUSE (Iniciar/pausa) para iniciar el ciclo.
	<b>La puerta está abierta</b>	• Cierre la puerta y pulse el botón START/PAUSE (Iniciar/pausa).
	<b>La puerta está bloqueada</b>	• Si la puerta está bloqueada y el botón START/PAUSE (Iniciar/Pausa) parpadea, pulse START/PAUSE (Iniciar/pausa) dos veces para desbloquear la puerta.
<b>La lavadora no centrifuga</b>	<b>La puerta está abierta</b>	• Asegúrese de que la puerta esté cerrada.
	<b>El motor se ha recalentado</b>	• El motor de la lavadora se detendrá si se recalienta. La lavadora se iniciará de nuevo automáticamente después de un período de enfriamiento de hasta 30 minutos (si no se ha apagado manualmente).
	<b>La carga de la lavadora está desequilibrada</b>	• La lavadora ha detectado un desequilibrio excesivo e intentará automáticamente volver a equilibrar la carga.
<b>RUIDO</b>	<b>Causas posibles</b>	<b>Solución</b>
<b>La lavadora hace ruido</b>	<b>La lavadora no está nivelada</b>	• Asegúrese de que la lavadora esté nivelada y se apoye firmemente sobre el suelo.
	<b>La carga de la lavadora está desequilibrada</b>	• Pulse START/PAUSE (Iniciar/pausa) para detener la lavadora, abra la puerta y redistribuya la carga uniformemente. Cierre la puerta y vuelva a iniciar el funcionamiento.
	<b>Sonido estridente u olor a goma quemada</b>	• La lavadora tiene sobrecarga. Detenga la lavadora y reduzca la carga.
	<b>No se han quitado los pernos de transporte ni la espuma</b>	• Consulte las Instrucciones de instalación a fin de ver las indicaciones para quitar los pernos de transporte y la espuma.
	<b>Vibración y ruidos producidos por objetos extraños en la cuba o bomba o cierres metálicos que chocan con la cuba</b>	• Compruebe que no hay objetos extraños en el tambor. Déle la vuelta a las prendas con cierres metálicos.
<b>RENDIMIENTO</b>	<b>Causas posibles</b>	<b>Solución</b>
<b>Pelusas o restos en las prendas</b>	<b>Separación incorrecta</b>	• Separe las prendas que suelten pelusa de aquéllas a las que se adhiera.
	<b>El tiempo de lavado es demasiado largo</b>	• Seleccione un nivel de suciedad menor.
	<b>El detergente no se disuelve</b>	• Pruebe un detergente líquido. • Utilice una temperatura más elevada para el agua.
	<b>Sobrecarga</b>	• Puede que el tambor de la lavadora esté totalmente lleno con prendas sueltas que se añadan.
	<b>Uso incorrecto del suavizante</b>	• Consulte el bote de suavizante para ver las instrucciones y siga las indicaciones de uso del distribuidor.

## Antes de llamar al servicio de asistencia técnica...

<b>RENDIMIENTO (cont.)</b>	<b>Causas posibles</b>	<b>Solución</b>
<b>Las prendas están demasiado mojadas</b>	La carga está desequilibrada	<ul style="list-style-type: none"> <li>• Redistribuya la carga.</li> </ul>
<b>Formación de bolitas</b>	Resultado de un deterioro normal en las prendas de polialgodón y tejidos voluminosos	<ul style="list-style-type: none"> <li>• Mientras no se produzca por la lavadora, se puede hacer más lento el proceso de formación de bolitas lavando las prendas del revés.</li> </ul>
<b>Prendas oscurecidas o amarillentas</b>	No hay suficiente detergente	<ul style="list-style-type: none"> <li>• Utilice la cantidad adecuada de detergente.</li> </ul>
	No se utiliza detergente de alta eficacia	<ul style="list-style-type: none"> <li>• Utilice detergente de alta eficacia.</li> </ul>
	Agua dura	<ul style="list-style-type: none"> <li>• Utilice agua lo más caliente posible para no dañar los tejidos.</li> <li>• Utilice un acondicionador de agua como, por ejemplo, el de la marca Calgon o instale un ablandador de agua.</li> </ul>
	El agua no está suficientemente caliente	<ul style="list-style-type: none"> <li>• Asegúrese de que el calentador suministre agua a 120°-140°F (48°-60°C).</li> </ul>
	El detergente no se disuelve	<ul style="list-style-type: none"> <li>• Pruebe un detergente líquido.</li> </ul>
<b>Tinte</b>		<ul style="list-style-type: none"> <li>• Separe las prendas por colores. Si en la etiqueta de la prenda se indica <i>Lavar por separado</i>, puede ser indicio de tintes con poca fijación.</li> </ul>
<b>Manchas de color</b>	Uso incorrecto del suavizante	<ul style="list-style-type: none"> <li>• Consulte el bote de suavizante para ver las instrucciones y siga las indicaciones de uso del distribuidor.</li> </ul>
	Tinte	<ul style="list-style-type: none"> <li>• Separe las prendas blancas o de color claro de las prendas oscuras.</li> <li>• Saque inmediatamente la carga de la lavadora.</li> </ul>
<b>Arrugas</b>	Separación incorrecta	<ul style="list-style-type: none"> <li>• Evite mezclar prendas pesadas (como prendas de trabajo) con prendas delicadas (como blusas).</li> </ul>
	Sobrecarga	<ul style="list-style-type: none"> <li>• Cargue la lavadora de manera que haya suficiente espacio para que las prendas se muevan libremente.</li> </ul>
	Ciclo de lavado incorrecto	<ul style="list-style-type: none"> <li>• Combine la selección de ciclo con el tipo de tejido que va a lavar (especialmente para cargas de prendas de fácil cuidado).</li> </ul>
	Lavado constante en agua demasiado caliente	<ul style="list-style-type: none"> <li>• Lave las prendas en agua tibia o fría.</li> </ul>
<b>Enganchones, agujeros, rotos, rasgaduras o deterioro excesivo</b>	Alfileres, broches, corchetes, botones en punta, hebillas de cinturones, cremalleras, y objetos puntiagudos olvidados en los bolsillos	<ul style="list-style-type: none"> <li>• Abroche los corchetes, broches, botones y cremalleras.</li> <li>• Quite los objetos sueltos como alfileres, objetos en los bolsillos y botones en punta.</li> <li>• Vuelva del revés las prendas de punto (se enganchan fácilmente).</li> </ul>
	Blanqueadores sin diluir	<ul style="list-style-type: none"> <li>• No añada nunca lejía sin diluir para lavar ni deje que las prendas entren en contacto con lejía sin diluir. Siga las indicaciones de uso del distribuidor de lejía.</li> </ul>
	Productos químicos como decolorante o líquidos de permanente para el solución	<ul style="list-style-type: none"> <li>• Enjuague las prendas que puedan tener productos químicos antes de lavarlas.</li> </ul>

# Garantía de la lavadora GE. (Para clientes de Estados Unidos)



Todos los servicios de garantía se ofrecen a través de nuestros centros de asistencia técnica o un técnico autorizado de Customer Care®. Para programar servicio de asistencia técnica, en línea y las 24 horas, visite la página [ge.com](http://ge.com) o llame al 800.GE.CARES (1.800.432.2737).

Engrape el recibo aquí.  
Se necesita el comprobante con la fecha de compra original para que la garantía cubra los servicios.

Período:	Se sustituirá:
<b>Un año</b> A partir de la fecha de adquisición original	<b>Cualquier pieza</b> de la lavadora que falle debido a un defecto en los materiales o la fabricación. Durante este <b>año de garantía completa</b> , GE correrá además, <b>sin cargo alguno</b> , con todos los gastos de mano de obra y reparación relacionados para sustituir la pieza defectuosa.
<b>Del segundo al quinto año</b> A partir de la fecha de adquisición original	<b>El conjunto puntal de la suspensión o el motor</b> , si cualquiera de estas piezas fallara debido a un defecto en los materiales o la fabricación. GE también sustituirá <b>la puerta de la lavadora o el panel de la puerta</b> , si se oxidaran en condiciones de funcionamiento normales. Durante este <b>período adicional de cuatro años de garantía limitada</b> , el propietario correrá con todos los gastos de mano de obra y reparación relacionados.
<b>Del segundo al décimo año</b> A partir de la fecha de adquisición original	<b>La cuba exterior</b> , si fallara debido a un defecto en los materiales o la fabricación. Durante este <b>período adicional de nueve años de garantía limitada</b> , el propietario correrá con todos los gastos de mano de obra y reparación relacionados.
<b>Del segundo al vigésimo año</b> A partir de la fecha de adquisición original	<b>El tambor de lavado interior</b> , si fallara debido a un defecto en los materiales o la fabricación. Durante este <b>período adicional de diecinueve años de garantía limitada</b> , el propietario correrá con todos los gastos de mano de obra y reparación relacionados.

## Exclusiones de la garantía (en Estados Unidos):

- Visitas de servicio a domicilio para mostrarle cómo utilizar el producto.
- Instalación, envío o mantenimiento incorrectos.
- Fallas del producto por manipulación, uso incorrecto o distinto al destinado o previsto comercialmente.
- Daños tras la entrega.
- Sustitución de los fusibles de la vivienda o restablecimiento de los interruptores.
- Daños causados por accidentes, incendios, inundaciones o fenómenos naturales.
- Daños emergentes o fortuitos causados por posibles defectos del electrodoméstico.

Esta garantía se extiende al comprador original y a todo propietario futuro de los productos adquiridos para uso doméstico en EE.UU. En Alaska, la garantía no incluye los gastos de transporte ni las llamadas del servicio de asistencia técnica a domicilio.

En algunos estados no se permite la exclusión o restricción de daños emergentes o fortuitos. Esta garantía le concede derechos legales específicos, además de otros derechos que varían de un estado a otro. Para conocer sus derechos legales, póngase en contacto con la oficina de atención al consumidor local o estatal, o con el fiscal general.

**Garante: General Electric Company. Louisville, KY 40225**

Instrucciones de seguridad

Instrucciones de funcionamiento

Instrucciones de instalación

Consejos para la solución de problemas

Atención al cliente

<b>Atención al cliente</b>	<b>Consejos para la solución de problemas</b>	<b>Instrucciones de instalación</b>	<b>Instrucciones de funcionamiento</b>	<b>Instrucciones de seguridad</b>
----------------------------	---	-------------------------------------	--	-----------------------------------

**Notas.**

---

<i>Instrucciones de seguridad</i>	<i>Instrucciones de funcionamiento</i>	<i>Instrucciones de instalación</i>	<i>Consejos para la solución de problemas</i>	<i>Atención al cliente</i>
-----------------------------------	--	-------------------------------------	---	----------------------------

**Notas.**

---

<b>Atención al cliente</b>	<b>Consejos para la solución de problemas</b>	<b>Instrucciones de instalación</b>	<b>Instrucciones de funcionamiento</b>	<b>Instrucciones de seguridad</b>
----------------------------	---	-------------------------------------	--	-----------------------------------

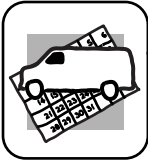
## Servicio al consumidor.



### *Página Web de GE Appliances*

**ge.com**

¿Tiene alguna pregunta sobre su electrodoméstico? ¡Pruebe la página Web de GE Appliances 24 horas al día, cualquier día del año! Para mayor conveniencia y servicio más rápido, ya puede descargar los Manuales de los Propietarios, pedir piezas o incluso hacer una cita en línea para que vengan a realizar una reparación. También puede “Ask Our Team of Experts™” (Preguntar a nuestro equipo de expertos) sobre cualquier cuestión y mucho más...



### *Solicite una reparación*

**ge.com**

El servicio de expertos GE está a tan sólo un paso de su puerta. ¡Entre en línea y solicite su reparación cuando le venga bien 24 horas al día cualquier día del año! O llame al 800.GE.CARES (800.432.2737) durante horas normales de oficina.



### *Real Life Design Studio (Estudio de diseño para la vida real)*

**ge.com**

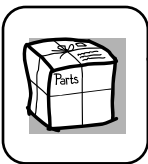
GE apoya el concepto de Diseño Universal—productos, servicios y ambientes que pueden usar gente de todas las edades, tamaños y capacidades. Reconocemos la necesidad de diseñar para una gran gama de habilidades y dificultades físicas y mentales. Para más detalles sobre las aplicaciones de GE Diseño Universal, incluyendo ideas de diseño para la cocina para personas con discapacidades, mire nuestra página Web hoy mismo. Para personas con dificultades auditivas, favor de llamar al 800.TDD.GEAC (800.833.4322).



### *Garantías ampliadas*

**ge.com**

Compre una garantía ampliada y obtenga detalles sobre descuentos especiales disponibles mientras su garantía está aún activa. Puede comprarla en línea en cualquier momento, o llamar al (800.626.2224) durante horas normales de oficina. GE Consumer Home Services estará aún ahí cuando su garantía termine.



### *Piezas y accesorios*

**ge.com**

Aquellos individuos con la calificación necesaria para reparar sus propios electrodomésticos pueden pedir que se les manden las piezas o accesorios directamente a sus hogares (aceptamos las tarjetas VISA, MasterCard y Discover). Haga su pedido en línea hoy, 24 horas cada día o llamar por teléfono al 800.626.2002 durante horas normales de oficina.

***Las instrucciones descritas en este manual cubren los procedimientos a seguir por cualquier usuario. Cualquier otra reparación debería, por regla general, referirse a personal calificado autorizado. Debe ejercerse precaución ya que las reparaciones incorrectas pueden causar condiciones de funcionamiento inseguras.***



### *Póngase en contacto con nosotros*

**ge.com**

Si no está satisfecho con el servicio que recibe de GE, póngase en contacto con nosotros en nuestra página Web indicando todos los detalles así como su número de teléfono o escribanos a:

General Manager, Customer Relations  
GE Appliances, Appliance Park  
Louisville, KY 40225



### *Registre su electrodoméstico*

**ge.com**

¡Registre su nuevo electrodoméstico en línea—cuando usted prefiera! El registrar su producto a tiempo le proporcionará, si surgiera la necesidad, una mejor comunicación y un servicio más rápido bajo los términos de su garantía. También puede enviar su tarjeta de registro pre-impresa que se incluye en el material de embalaje o recorte y use el formulario de este Manual del Propietario.

## Consumer Support.

---



### GE Appliances Website

In the U.S.: **ge.com**

Have a question or need assistance with your appliance? Try the GE Appliances Website 24 hours a day, any day of the year! For greater convenience and faster service, you can now download Owner's Manuals, order parts, catalogs, or even schedule service on-line. You can also "Ask Our Team of Experts™" your questions, and so much more... **In Canada: [www.geappliances.ca](http://www.geappliances.ca)**



### Schedule Service

In the U.S.: **ge.com**

Expert GE repair service is only one step away from your door. Get on-line and schedule your service at your convenience 24 hours any day of the year! Or call 800.GE.CARES (800.432.2737) during normal business hours. **In Canada, call 1.800.361.3400**



### Real Life Design Studio

In the U.S.: **ge.com**

GE supports the Universal Design concept—products, services and environments that can be used by people of all ages, sizes and capabilities. We recognize the need to design for a wide range of physical and mental abilities and impairments. For details of GE's Universal Design applications, including kitchen design ideas for people with disabilities, check out our Website today. For the hearing impaired, please call 800.TDD.GEAC (800.833.4322).

**In Canada, contact:** Manager, Consumer Relations, Camco, Inc.  
Suite 310, 1 Factory Lane  
Moncton, N.B. E1C 9M3



### Extended Warranties

In the U.S.: **ge.com**

Purchase a GE extended warranty and learn about special discounts that are available while your warranty is still in effect. You can purchase it on-line anytime, or call 800.626.2224 during normal business hours. GE Consumer Home Services will still be there after your warranty expires. **In Canada, call 1.888.261.2133**



### Parts and Accessories

In the U.S.: **ge.com**

Individuals qualified to service their own appliances can have parts or accessories sent directly to their homes (VISA, MasterCard and Discover cards are accepted). Order on-line today, 24 hours every day or by phone at 800.626.2002 during normal business hours.

**Instructions contained in this manual cover procedures to be performed by any user. Other servicing generally should be referred to qualified service personnel. Caution must be exercised, since improper servicing may cause unsafe operation.**

Customers **in Canada** should consult the yellow pages for the nearest Camco service center, or call 1.888.261.3055.



### Contact Us

In the U.S.: **ge.com**

If you are not satisfied with the service you receive from GE, contact us on our Website with all the details including your phone number, or write to: General Manager, Customer Relations  
GE Appliances, Appliance Park  
Louisville, KY 40225

**In Canada: [www.geappliances.ca](http://www.geappliances.ca), or write to:** Director, Consumer Relations, Camco, Inc.  
Suite 310, 1 Factory Lane  
Moncton, N.B. E1C 9M3



### Register Your Appliance

In the U.S.: **ge.com**

**Register your new appliance on-line—at your convenience!** Timely product registration will allow for enhanced communication and prompt service under the terms of your warranty, should the need arise. You may also mail in the pre-printed registration card included in the packing material. **In Canada: [www.geappliances.ca](http://www.geappliances.ca)**