




heavy duty racks • PreciseAir™ convection system • **2004 product specifications** • Trivection™ technology • auto recipe conversion

GE Profile™ and GE® Built-In Cooking Products

The maximum in cooking performance and versatility.

imagination at work 

It's all about great food.





With more convenience, **performance** and **style**, GE built-in products are changing the way the modern family cooks. And

Trivection™ technology is leading the charge. It has the ability to produce optimal **food quality**, up to five times **faster**

than a traditional oven! The amazing **Precise Air™ convection system** uses an innovative fan that reverses

direction for optimal air and heat circulation. And when it comes to style, we feature more **choices** to complement any

taste or preference. With self-clean models, **extra-large capacities** and multi-dimensional features, GE offers

innovative built-in products designed for today's lifestyles.



Feature Gallery



Model shown: JT980



Trivection™ technology

Uses a combination of three heating methods: thermal, convection and microwave, to produce succulent foods up to five times faster than a conventional oven.



Speed baking mode/Speed broiling mode

Automatically delivers the ideal combination of heating energy to produce optimal quality and browning, regardless of food type.



Precise Air™ convection system

Uses an innovative fan that reverses direction for optimal air and heat circulation.



Multiple mode convection

Offers three specialized modes for different cooking needs: **single-rack convection baking, multi-rack convection baking, and convection roasting.**



Extra-large 4.3 cu. ft. self-clean oven

Provides a large oven interior for cooking more dishes and large meals at one time.



True Temp™ system

Provides even heat distribution and maximum oven control.



7

Auto Recipe™ conversion

Automatically adjusts standard recipe time and temperature for speedcook modes.



8

Chef's Guide™ glass touch controls

Make oven programming quick and easy.



9

Big ClearView™ window

Provides a large, convenient area to check the progress of food.



10

Control lock capability

Prevents accidental oven activation.



11

Multiple cooking modes:

Features proof mode, warm mode, defrost mode and help mode delivering maximum versatility.



Certified Sabbath mode

Allows consumers to keep cooked foods warm on the Jewish Sabbath and Jewish holidays.

GE Profile Built-In Ovens featuring Trivection technology

It's all about great food! GE Profile wall ovens and slide-in ranges with exclusive Trivection technology achieve the delicate balance of heat and time by combining thermal, Precise Air convection and microwave heating methods. The result is mouth-watering foods up to five times faster than a traditional oven.



Thermal Heating

Traditional bake and broil elements provide dry heat from above and below the food, while helping maintain consistent oven temperature.

Lasagna

A lasagna is usually large and dense with a high moisture content that benefits from high levels of all three energies. The thermal and convection energies will provide ideal browning, while the microwave will help to quickly bring the middle of the lasagna up to proper baking temperature.

Precise Air Convection

An innovative fan reverses direction for optimal air and heat circulation, providing even cooking, faster roasting speeds and multi-rack baking capability. Ideal for accelerated browning.

A traditional oven cooks a lasagna in one hour using only thermal energy. A Trivection technology oven cooks a lasagna in 15 minutes using thermal, convection and microwave energies continuously throughout the cooking cycle.

Microwave Energy

Electromagnetic waves excite molecules in food and help accelerate the cooking process, ensuring faster cooking speeds.

Built-In Trivection™ Technology Cooking Products



JT980

GE Profile™ 30" Double Oven with Trivection Technology

- Trivection technology
- Speed baking/Speed broiling
- Precise Air™ convection system
- Convection Bake (multi-rack)
- Convection Roast
- Chef's Guide™ oven controls
- Extra-large self-clean oven

 **JT980SHSS**

 **JT980WHWW**

 **JT980CHCC**

 **JT980BHBB**



JT930

GE Profile 30" Single Oven with Trivection Technology

- Trivection technology
- Speed baking/Speed broiling
- Precise Air convection system
- Convection Bake (multi-rack)
- Convection Roast
- Chef's Guide oven controls
- Extra-large self-clean oven

 **JT930SHSS**

 **JT930WHWW**

 **JT930CHCC**

 **JT930BHBB**

 Stainless steel  White on white  Bisque on bisque  Black on black



JS998

GE Profile 30" Slide-In Range with Trivection™ Technology

- **Trivection technology**
- **Speed baking/Speed broiling**
- Precise Air convection system
- Convection Bake (multi-rack)
- Convection Roast
- Extra-large self-clean oven
- **Chef's Guide oven controls**
- Dual 6" / 9" ribbon element



JS998SHSS



JS998THWW True white



JS998KHCC True bisque



JS998BHBB

Feature Gallery



Model shown: JT955



Precise Air™ convection system

Uses an innovative fan that reverses direction for optimal air and heat circulation.



Auto Recipe™ conversion

Automatically adjusts standard recipe time and temperature for speedcook modes.



Eight-pass power bake

Provides total cooking coverage for consistent baking, and roasting.



Extra-large capacity

The largest capacity wall oven in America.* 30" wall ovens offer up to 4.4 cu. ft. capacity, while 27" models feature 3.9 cu. ft. capacity.



Heavy-duty oven racks

The durable construction of the heavy-duty racks provides additional support for large dishes.



Proof mode

Allows dough to rise efficiently and quickly by creating the perfect temperature conditions for yeast activation.



Built-In Double Ovens



JT955

GE Profile™ 30" Double Oven

- Precise Air convection system (upper oven only)
- **Convection Bake (multi-rack) (upper oven only)**
- Convection Roast (upper oven only)
- **Glass touch oven controls**
- Super large self-clean oven
- TrueTemp™ system

- JT955SFSS
- JT955WFWW
- JT955CFCC
- JT955BFBB

JK955

Similar to the JT955, except 27" wide.

- JK955SFSS
- JK955WFWW
- JK955CFCC
- JK955BFBB



JT952

GE Profile 30" Double Oven

- Precise Air convection system (upper oven only)
- **Convection Bake (upper oven only)**
- **Convection Roast (upper oven only)**
- Electronic oven controls
- Super large self-clean oven
- TrueTemp system

- JT952SFSS
- JT952WFWW
- JT952CFCC
- JT952BFBB

○ Stainless steel ○ White on white ○ Bisque on bisque ● Black on black

Built-In Double Ovens



JTP50

GE® 30" Double Oven

- Super large self-clean oven
- Electronic oven controls
- TrueTemp™ system
- Big ClearView™ windows
- Interior oven light
- Dual element bake

 JTP50SHSS

JKP50

Similar to the JTP50, except 27" wide.

 JKP50SHSS



JTP48

GE 30" Double Oven

- **Super large self-clean oven**
- **Electronic oven controls**
- TrueTemp system
- Big ClearView window
- Interior oven light
- Dual element bake

 JTP48SFSS

 JTP48WFWW

 JTP48CFCC

 JTP48BFBB

JKP48

Similar to the JTP48, except 27" wide.

 JKP48WFWW

 JKP48CFCC

 JKP48BFBB

 Stainless steel  Stainless steel  White on white  Bisque on bisque  Black on black



JTP28

GE 30" Double Oven

- Self-clean oven (upper oven only)
- Super large oven capacity
- Electronic oven controls (upper oven only)
- TrueTemp system
- Big ClearView windows
- Interior oven light
- Dual element bake

 JTP28SFSS

 JTP28WFWW

 JTP28CFCC

 JTP28BFBB

JKP28

Similar to the JTP28, except 27" wide.

 JKP28WFWW

 JKP28BFBB

Built-In Combination Double Ovens



JT965

GE Profile™ 30" Combination Double Oven

- **True European Convection** (lower oven only)
- **Convection Bake/Roast** (lower oven only)
- Electronic oven controls
- Super large self-clean oven
- TrueTemp™ system (lower oven only)
- 1.6 cu. ft. microwave

- JT965SFSS
- JT965WFWW
- JT965CFCC
- JT965BFBB



JTP86

GE® 30" Combination Double Oven

- Super large self-clean oven
- Electronic oven controls
- TrueTemp™ system (lower oven only)
- 1.6 cu. ft. microwave
- Sensor cooking control (upper oven only)
- Turntable (upper oven only)

- JTP86SHSS
- JTP86WFWW
- JTP86CFCC
- JTP86BFBB

JKP86

Similar to the JTP86, except 27" wide.

- JKP86SHSS
- JKP86WFWW
- JKP86CFCC
- JKP86BFBB

○ Stainless steel ○ White on white ○ Bisque on bisque ● Black on black

Built-In Single Ovens



JT915

GE Profile 30" Single Oven

- Precise Air™ convection system
- **Convection Bake (single- and multi-rack)**
- Convection Roast
- **Glass touch oven controls**
- Super large self-clean oven
- TrueTemp system

 JT915SFSS

 JT915WFWW

 JT915CFCC

 JT915BFBB

JK915

Similar to the JT915, except 27" wide.

 JK915SFSS

 JK915WFWW

 JK915CFCC

 JK915BFBB



JT912

GE Profile 30" Single Oven

- **Precise Air convection system**
- **Convection Bake**
- **Convection Roast**
- Electronic oven controls
- Super large self-clean oven
- TrueTemp system

 JT912SFSS

 JT912WFWW

 JT912CFCC

 JT912BFBB

 Stainless steel  White on white  Bisque on bisque  Black on black

Built-In Single Ovens



JTP25

GE® 30" Single Oven

- Super large self-clean oven
- Electronic oven controls
- TrueTemp™ system
- Big ClearView™ window
- Interior oven light
- Dual element bake

 **JTP25SHSS**

JKP25

Similar to the JTP25, except 27" wide.

 **JKP25SHSS**



JTP20

GE 30" Single Oven

- Super large self-clean oven
- Electronic oven controls
- TrueTemp system
- Big ClearView window
- Interior oven light
- Dual element bake

 **JTP20SFSS**

 **JTP20WFWW**

 **JTP20CFCC**

 **JTP20BFBB**

JKP20

Similar to the JTP20, except 27" wide.

 **JKP20WFWW**

 **JKP20CFCC**

 **JKP20BFBB**

JKS06

Similar to the JKP20, except standard-clean.

 **JKS06BFBB**

 Stainless steel  Stainless steel  White on white  Bisque on bisque  Black on black

Built-In 24" Ovens



JRP28

GE 24" Double Oven

- Self-clean oven (upper oven only)
- Electronic oven controls (upper oven only)
- ClearView windows
- Interior oven light
- Two oven racks
- Frameless glass oven doors
- Certified Sabbath mode

● JRP28BJBB



JRP20

GE 24" Single Oven

- **Self-clean oven**
- Electronic oven controls
- ClearView window
- Interior oven light
- Two oven racks
- Frameless glass oven door
- Certified Sabbath mode

○ JRP20WJWW

● JRP20BJBB

○ White on white ● Black on black

Built-In 24" Ovens



JRS06

GE® 24" Single Oven

- Standard clean oven
- Electronic oven controls
- ClearView™ window
- Interior oven light
- Two oven racks
- Frameless glass oven door
- Certified Sabbath mode

● JRS06BJBB



JGRP20

GE 24" Gas Single Oven

- Self-clean oven
- Electronic oven controls
- ClearView window
- Interior oven light
- Two oven racks
- Frameless glass oven door
- Certified Sabbath mode

○ JGRP20WEJWW

● JGRP20BEJBB

JGRS06

Similar to the JGRP20, except standard-clean.

● JGRS06BEJBB

○ White on white ● Black on black

Built-In Warming Drawers



JTD915

GE Profile™ 30" Warming Drawer

- Flush appearance installation
- Variable temperature control:
Proof (80°)/Low (140°)/Med (170°)/High (210°)
- Variable humidity control—crisp to moist
- Frameless drawer front
- "On" indicator light
- Half rack

 **JTD915SFSS**

 **JTD915WFWW**

 **JTD915CFCC**

 **JTD915BFBB**



JKD915

GE Profile 27" Warming Drawer

- Flush appearance installation
- Variable temperature control:
Proof (80°)/Low (140°)/Med (170°)/High (210°)
- Variable humidity control—crisp to moist
- Frameless drawer front
- "On" indicator light
- Half rack

 **JKD915SFSS**

 **JKD915WFWW**

 **JKD915CFCC**

 **JKD915BFBB**

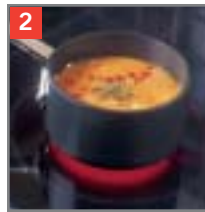
 Stainless steel  White on white  Bisque on bisque  Black on black

Feature Gallery



Precise Digital Control System™

Knobs are replaced with precise, one-touch pads that make controlling cooktop elements easy and convenient.



Dual heating element

Allows the choice of using a 6" or 9" element.



Bridge element (available on select models)

Combines two elements into one large surface for cooking flexibility.



Deep recessed cooktop

Helps contain spills for easy cleaning.



PowerBoil™ burner

This 15,000 BTU burner heats up fast with high power for skillets, woks or large pots.



Precise Simmer burner

Keeps delicate foods like sauces and gravies at a low setting.





Built-In Cooktops



JP969

GE Profile™ 36" Electronic Touch Control Cooktop

- **Electronic touch controls**
- **Precise Digital Control System™**
- Ceramic glass cooktop
- **Pan presence sensor**
- **Pan size sensor**
- Ribbon heating elements
- Two dual size ribbon elements





-  **JP969SHSS**
-  **JP969WHWW**
-  **JP969CHCC**
-  **JP969BHBB**



JP961

GE Profile 36" Electric CleanDesign Cooktop

- Ceramic glass cooktop
- Ribbon heating elements
- 6"/9" dual size ribbon element
- **5"/8" dual size ribbon element**
- Frameless design
- Upfront controls
- Hot surface indicator lights





-  **JP961SHSS**
-  **JP961THWW True white**
-  **JP961KHCC True bisque**
-  **JP961BHBB**



JP960

GE Profile 36" Electric CleanDesign Cooktop

- Ceramic glass cooktop
- Ribbon heating elements
- Bridge-element
- Dual size ribbon element
- Frameless design
- Upfront controls
- Hot surface indicator lights

-  **JP960SCSS**
-  **JP960TCWW True white**
-  **JP960KCCC True bisque**
-  **JP960BCBB**

 Stainless steel  True white  White on white  True bisque  Bisque on bisque  Black on black

Built-In Cooktops



JP939

GE Profile™ 30" Electronic Touch Control Cooktop

- **Electronic touch controls**
- **Precise Digital Control System**
- Ceramic glass cooktop
- **Pan presence sensor**
- **Pan size sensor**
- Ribbon heating elements
- 6"/9" dual size ribbon element
- 5"/8" dual size ribbon element

 JP939SHSS

 JP939WHWW

 JP939CHCC

 JP939BHBB



JP931

GE Profile 30" Electric CleanDesign Cooktop

- Ceramic glass cooktop
- Ribbon heating elements
- 6"/9" dual size ribbon element
- **5"/8" dual size ribbon element**
- Frameless design
- Hot surface indicator lights

 JP931SHSS

 JP931THWW True white

 JP931KHCC True bisque

 JP931BHBB



JP930

GE Profile 30" Electric CleanDesign Cooktop

- Ceramic glass cooktop
- Ribbon heating elements
- **Bridge element**
- 6"/9" dual size ribbon element
- Frameless design
- Hot surface indicator lights

 JP930SCSS

 JP930TCWW True white

 JP930KCCC True bisque

 JP930BCBB

 Stainless steel  True white  White on white  True bisque  Bisque on bisque  Black on black



JP350

GE Profile 30" Electric CleanDesign Cooktop

- Ceramic glass cooktop
- Ribbon heating elements
- **6"9" dual size ribbon element**
- Frameless design
- Hot surface indicator lights

-  **JP350SCSS**
-  **JP350TCWW** True white
-  **JP350WCWW**
-  **JP350KCCC** True bisque
-  **JP350BCBB**



JP340

GE® 30" Electric CleanDesign Cooktop

- Ceramic glass cooktop
- Ribbon heating elements
- Frameless design
- Hot surface indicator light

-  **JP340WJWW**
-  **JP340CJCC**
-  **JP340BJBB**

Built-In Cooktops



JP626

GE® 36" Electric Coil Cooktop

- 36" porcelain-enameled cooktop
- Two 8" and two 6" plug-in Calrod® heating elements
- **Up-front color-matched glass control panel**
- Infinite heat rotary controls
- Chrome removable one-piece drip bowls
- Heating element "On" indicator light

○ JP626WFWW

○ JP626CFCC

● JP626BJBB‡

‡Available Spring 2004



JP328

GE 30" Electric Coil Cooktop

- 30" porcelain-enameled cooktop
- Two 8" and two 6" plug-in Calrod heating elements
- Up-front color-matched glass control panel
- Infinite heat rotary controls
- Chrome removable one-piece drip bowls
- Heating element "On" indicator light

○ JP328SFSS

○ JP328WFWW

○ JP328CFCC

● JP328BFBB



JP201

GE 21" Electric Coil Cooktop

- 21" stainless steel cooktop
- One 8" and one 6" plug-in Calrod heating element
- Chrome removable one-piece drip bowls
- Heating element "On" indicator light

○ JP201CBSS

○ JP202DWW





○ Stainless steel ○ White on white ○ Bisque on bisque ● Black on black



JGP963

GE Profile™ 36" Deep-Recessed Gas Cooktop

- Deep-recessed cooktop
- Sealed cooktop burners
- Power Boil™ burner
- Two precise simmer burners
- Continuous grates
- Deluxe cast dishwasher-safe grates
- Upfront controls





-  JGP963SEJSS
-  JGP963WEJWW
-  JGP963CEJCC
-  JGP963BEJBB



JGP962

GE Profile 36" Gas-on-Glass Cooktop

- Gas-on-glass cooktop
- Sealed cooktop burners
- Power Boil burner
- Two precise simmer burners
- Continuous grates
- Deluxe cast dishwasher-safe grates
- Upfront controls





-  JGP962SECSS
-  JGP962TECWW True white
-  JGP962KEDCC True bisque
-  JGP962BECBB



JGP637

GE 36" Gas Cooktop

- Tempered glass cooktop
- Sealed cooktop burners
- High output burner
- Two precise simmer burners
- Porcelain drip bowls
- Deluxe cast dishwasher-safe grates
- Upfront controls

-  JGP637SEJSS
-  JGP637WEJWW
-  JGP637CEJCC
-  JGP637BEJBB

Built-In Cooktops



JGP628

GE® 36" Deep-Recessed Gas Cooktop

- Deep recessed cooktop
- Sealed cooktop burners
- High output burner
- Precise simmer burner
- Continuous dishwasher-safe grates
- Upfront controls

- JGP628SEJSS
- JGP628WEJWW
- JGP628CEJCC
- JGP628BEJBB



JGP933

GE Profile™ 30" Deep-Recessed Gas Cooktop

- Deep recessed cooktop
- Sealed cooktop burners
- Power Boil burner
- Precise simmer burner
- Continuous grates
- Deluxe cast dishwasher-safe grates

- JGP933SEJSS
- JGP933WEJWW
- JGP933CEJCC
- JGP933BEJBB



JGP932

GE Profile 30" Gas-on-Glass Cooktop

- **Gas-on-glass cooktop**
- Sealed cooktop burners
- **Power Boil burner**
- Precise Simmer burner
- **Continuous grates**
- Deluxe cast dishwasher-safe grates

- ◐ JGP932SEC
- JGP932TEC True white
- JGP932KED True bisque
- JGP932BEC

◐ Stainless steel ◑ Stainless steel ○ True white ○ White on white ○ True bisque ○ Bisque on bisque ● Black on black



JGP337

GE 30" Gas Cooktop

- Tempered glass cooktop
- Sealed cooktop burners
- High output burner
- Precise simmer burner
- **Deluxe cast dishwasher-safe grates**

 JGP337SEJSS

 JGP337WEJWW

 JGP337CEJCC

 JGP337BEJBB



JGP328

GE 30" Deep-Recessed Gas Cooktop

- Deep recessed cooktop
- **Sealed cooktop burners**
- **High output burner**
- **Precise simmer burner**
- **Continuous dishwasher-safe grates**

 JGP328SEJSS

 JGP328WEJWW

 JGP328CEJCC

 JGP328BEJBB



JGP321

GE 30" Gas Cooktop

- Chrome drip bowls
- Standard porcelain steel grates
- Electronic pilotless ignition
- Standard burners

 JGP321EJWH

 JGP321EJBL





Built-In Cooktops



JP989

GE Profile™ 30" Electric Downdraft Cooktop

- Downdraft exhaust
- Ceramic glass cooktop
- Ribbon heating elements
- Bridge-element
- 6"/9" dual size ribbon element
- Three-speed downdraft fan
- Frameless design

-  **JP989SDSS**
-  **JP989TDWW** True white
-  **JP989KDCC** True bisque
-  **JP989BDBB**








Modules sold separately

JP389

GE® 30" Dual Modular Electric Downdraft Cooktop

- Modular cooktop options
- Downdraft exhaust
- Porcelain-enameled cooktop
- Three-speed downdraft fan
- Heating element "On" light

-  **JP389WDWW**
-  **JP389BDBB**

-  Stainless steel
-  True white
-  White on white
-  True bisque
-  Black on black

Optional Select-Top™ Modules (available at additional cost)



Grill Module
Front- and rear-controlled heating element for more cooking flexibility and energy savings. One-piece grill grate and porcelain-enameled reflector pan can be removed for cleaning in sink or dishwasher.



Griddle Accessory
(For use with optional grill module) Place over heating element and reflector pan from optional grill module. Griddle accessory has a non-stick coating and is self-draining.



Ribbon Module
Patterned glass top with one 8" and one 6" ribbon heating element.



Coil Module
One 8" and one 6" plug-in coil heating element with removable one-piece drip bowls.



Grill Cover
Covers grill area when not in use. Available in Black on black and White on white.

Optional modules	Models	
	JP389WD	JP389BD
Coil Module	JXDC44RWH	JXDC43RBL
Ribbon Module	JXDR50VW	JXDR50VB
Grill Module	JXDL44N	JXDL44N
Griddle Accessory	JXDD44R	JXDD44R
Grill Cover	JXDM3	JXDM2



JGP989

GE Profile 30" Gas Downdraft Cooktop

- Downdraft exhaust
- Gas-on-glass cooktop
- Sealed cooktop burners
- Continuous grates
- Dishwasher safe grates
- Deluxe cast grates

 JGP989TCWW True white

 JGP989KCCC True bisque

 JGP989BCBB



JGP979

GE Profile 30" Single Modular Gas Downdraft Cooktop

- Modular cooktop options
- Downdraft exhaust
- Sealed cooktop burners
- Continuous grates
- Electronic pilotless ignition

 JGP979SEFSS

 JGP979WEFWW

 JGP979BEFBB

Modules sold separately

Optional Select-Top™ Modules (available at additional cost)



Grill Module
Front- and rear-controlled heating element for more cooking flexibility and energy savings.



Grill Cover
Covers grill area when not in use. Available in Black on black and White on white.



Two-Burner Gas Module
Two sealed gas burners offer a range of temperature settings for cooking versatility.



Griddle Module
Front- and rear-controlled heating. One-piece grill grate is non-stick coated.

Optional modules	Models		
	JGP979SEF	JGP979WEF	JGP979BEF
Two-Burner Gas Module	JXGB79B	JXGB79W	JXGB79B
Grill Module	JXGG79	JXGG79	JXGG79
Griddle Module	JXGL79	JXGL79	JXGL79
Grill Cover	JXGC89B	JXGC89W	JXGC89B

 Stainless steel  True white  White on white  True bisque  Black on black

Feature Gallery



Model shown: JS968



Precise Air™ convection system

Uses an innovative fan that reverses direction for optimal air and heat circulation.



Glass touch controls

The upfront, angled control panel makes an impressive statement and simplifies operation.



Bridge element

Connects the left front and rear elements to create an elongated cooking surface when recipes call for over-sized pans.

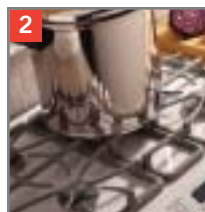


Model shown: JGS968



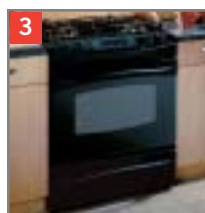
Two-speed convection fan

Circulates air throughout the oven ensuring better baking and roasting results.



Continuous grates

Allow for easy movement of pans between burners.



Dual-fuel

Model also available with electric convection oven.





Slide-In Ranges



JS968

GE Profile 30" CleanDesign Convection Range

- **Precise Air™ Convection System**
- **Convection Bake** (single- and multi-rack)
- **Convection Roast**
- **Glass touch controls**
- Self-clean oven
- **Bridge element**
- 6" / 9" dual size ribbon element

-  JS968SFSS
-  JS968TFWW True white
-  JS968KFCC True bisque
-  JS968BFBB



JSP47

GE Profile 30" CleanDesign Electric Range

- Self-clean oven
- Electronic oven controls
- **6" / 9" dual size ribbon element**
- Super large oven capacity
- TrueTemp™ system
- **Ribbon heating elements**
- **Ceramic glass cooktop**

-  JSP47SHSS‡
-  JSP47WFWW
-  JSP47CFCC
-  JSP47BFBB

‡Available Spring 2004

 Stainless steel  True white  White on white  True bisque  Bisque on bisque  Black on black

Bold = feature upgrade from previous model.

Refer to page 7 for information on the Trivecton™ Slide-In Range.

GEAppliances.com

29

Slide-In Ranges



JSP34

GE® 30" Electric Coil Range

- **Self-clean oven**
- Electronic oven controls
- Coil heating elements
- ClearView™ window
- Frameless glass oven door
- Dual element bake
- Lift-up porcelain cooktop

○ JSP34WDWW

○ JSP34CDCC

● JSP34BDBB

JSP26

Similar to the JSP34, except control panel is black.

◐ JSP26BDWH

◑ JSP26BDCT



JSS26

GE 30" Electric Coil Range

- Standard clean oven
- Electronic clock and timer
- Coil heating elements
- ClearView window
- **Frameless glass oven door**
- Dual element bake
- Lift-up porcelain cooktop

● JSS26BDBB

○ White on white ◐ Bisque on bisque ● Black on black ◑ White with black control panel ◒ Bisque with black control panel



JSS16

GE 30" Electric Coil Range

- Standard clean oven
- Electronic clock and timer
- Coil heating elements
- ClearView window
- Dual element bake
- Lift-up porcelain cooktop
- Chrome drip bowls

 **JSS16PDWH**

 **JSS16PDCT**

Slide-In Ranges



J2S968

GE Profile™ 30" Dual-Fuel Range

- **Precise Air™ Convection System**
- **Electric Convection Bake (single- and multi-rack)**
- **Electric Convection Roast**
- Self-clean oven
- Glass touch controls
- Power Boil™ burner
- Precise Simmer burner
- Dishwasher-safe continuous grates

 **J2S968SHSS**

 **J2S968THWW** True white

 **J2S968KHCC** True bisque

 **J2S968BHBB**



JGS968

GE Profile 30" Gas Range

- **Two-speed gas convection oven**
- **Convection Bake/Roast**
- Self-clean oven
- **Glass touch controls**
- **Power Boil burner**
- Precise Simmer burner
- Dishwasher-safe continuous grates

 **JGS968SHSS**

 **JGS968THWW** True white

 **JGS968KHCC** True bisque

 **JGS968BHBB**

 Stainless steel  True white  True bisque  Black on black



JGSP48

GE Profile 30" Gas Range

- Self-clean oven
- **Precise Simmer burner**
- Extra-large oven capacity
- Electronic oven controls
- High-output burner
- **Continuous grates**
- **Ceramic glass cooktop**

- JGSP48SHSS‡
- JGSP48WHWW
- JGSP48CHCC
- JGSP48BHBB

‡Available Spring 2004



JGSP23

GE® 30" Gas Range

- Self-clean oven
- **Sealed cooktop burners**
- **High-output burner**
- **Simmer burner**
- **Electronic oven controls**
- ClearView™ window

- JGSP23WEYWW
- JGSP23CEYCC
- JGSP23BEYBB

JGSS05 (not shown)

- Standard-clean oven
- Extra-large oven capacity
- Standard burners
- Broiler drawer
- ClearView window

- JGSS05BEHBB

Drop-In Ranges



JD968

GE Profile™ 30" Convection Range

- **Precise Air™** convection system
- **Convection Bake** (single- and multi-rack)
- **Convection Roast**
- Self-clean oven
- **Glass touch controls**
- **Bridge element**
- Dual size ribbon element

- JD968SFSS
- JD968TFWW True white
- JD968KFCC True bisque
- JD968BFBB



JDP47

GE Profile 30" Electric Range

- Self-clean oven
- Electronic oven controls
- **Dual size ribbon element**
- Super large oven capacity
- TrueTemp™ system
- **Ribbon heating elements**
- **Ceramic glass cooktop**

- JDP47WFWW
- JDP47CFCC
- JDP47BFBB

○ Stainless steel ○ True white ○ White on white ○ True bisque ○ Bisque on bisque ● Black on black



JDP39

GE® 30" Electric Range

- Self-clean oven
- Electronic oven controls
- Coil heating elements
- ClearView™ window
- Lift-up porcelain cooktop
- Porcelain drip bowls
- Frameless glass oven door

 JDP39WWW

 JDP39BWB



JDP36

GE 30" Electric Range

- **Self-clean oven**
- Electronic oven controls
- Coil heating elements
- ClearView window
- Frameless glass oven door
- Dual element bake
- Lift-up porcelain cooktop

 JDP36BWWH

 JDP36BDCT

Drop-In Ranges



JDS26

GE® 30" Electric Range

- Standard clean oven
- Coil heating elements
- Electronic clock and timer
- ClearView™ window
- Lift-up porcelain cooktop
- Dual element bake
- Audible preheat signal

 **JDS26BWWH**

 **JDS26BDCT**



JMP31

GE Profile™ 27" Electric Range

- Self-clean oven
- Coil heating elements
- Electronic clock and timer
- Big ClearView window
- Dual element bake
- Lift-up porcelain cooktop
- Frameless glass oven door

 **JMP31WCWW**

 White on white  White with black door  Bisque with black door



JMP28

GE 27" Electric Range

- Self-clean oven
- Coil heating elements
- Electronic clock and timer
- Big ClearView window
- Dual element bake
- Lift-up porcelain cooktop
- Frameless glass oven door

 JMP28BCWH

 JMP28BDCT



JMS08

GE 27" Electric Range

- Standard clean oven
- Coil heating element
- Big ClearView window
- Dual element bake
- Lift-up porcelain cooktop
- Frameless glass oven door
- Chrome drip bowls

 JMS08BDWH

 JMS08BDCT

Ventilation Products



JV960

GE Profile™ 36" Slide-Out Hood

- 300 CFM
- Variable speed fan control
- Vertical exhaust
- Cooktop light
- Removable grease filter
- Rectangular damper included

JV930 (not shown)
Similar to JV960, except 30" wide

 **JV960SCBA**

 **JV930SCBA**



JV696/695/694

GE Profile 36" Slide-Out Hood

- 300 CFM
- Variable speed fan control
- Vertical exhaust
- Cooktop light
- Removable grease filter
- Rectangular damper included

JV396/395/394
(not shown)
Similar to JV696, except 30" wide

 **JV695SWW**

 **JV395SWW**

 **JV696SCC**

 **JV396SCC**

 **JV694SBB**

 **JV394SBB**



JV966

GE Profile 36" Designer Hood

- 600 CFM
- Four-speed fan control
- Vertical exhaust
- Halogen cooktop light
- Nightlight
- Removable grease filter

JV936 (not shown)
Similar to JV966, except 30" wide

 **JV966DSS**

 **JV936DSS**

Shown with optional chimney cover that conceals exposed duct from the hood to the ceiling.



 Stainless steel  **BA** Brushed aluminum  White on white  Bisque on bisque  Black on black



JVB98

GE Profile 36" Telescopic Downdraft System

- 500 CFM
- Variable speed fan control
- Raises to 8-1/2" over cooktop surface
- Retracts when not in use
- Island or peninsula installation
- 3-1/4" x 10" rectangular duct
- Removable grease filter

JVB94 (not shown)
Similar to JVB98, except 30" wide

 **JVB98SHSS**

 **JVB94SHSS**



JVB67

GE Profile 36" Telescopic Downdraft System

- 500 CFM
- Variable speed fan control
- Raises to 8-1/2" over cooktop surface
- Retracts when not in use
- Island or peninsula installation
- 3-1/4" x 10" rectangular duct
- Removable grease filter

 **JVB67HWW**

 **JVB67HCC**

 **JVB67HBB**



JVB37

GE Profile 30" Telescopic Downdraft System

- 500 CFM
- Variable speed fan control
- Raises to 8-1/2" over cooktop surface
- Retracts when not in use
- Island or peninsula installation
- 3-1/4" x 10" rectangular duct
- Removable grease filter

 **JVB37HWW**

 **JVB37HCC**

 **JVB37HBB**





Ventilation Products



JV666/665

GE Profile™ 36" High-Performance Hood

- Vented
- Vertical or rear exhaust
- Four-speed fan control
- Halogen light
- Removable grease filter
- Round or rectangular ducting





-  **JV666HSS**
-  **JV665HWW**
-  **JV665HCC**
-  **JV665HBB**



JV636/635

GE Profile 30" High-Performance Hood

- Vented
- Vertical or rear exhaust
- Four-speed fan control
- Halogen light
- Removable grease filter
- Round or rectangular ducting





-  **JV636HSS**
-  **JV635HWW**
-  **JV635HCC**
-  **JV635HBB**



JV566/565



GE Profile 36" Performance Hood

- Convertible venting
- Vertical or rear exhaust
- Variable two-speed fan control
- Halogen light
- Removable grease filter
- Round or rectangular ducting

-  **JV566HSS**
-  **JV565HWW**
-  **JV565HCC**
-  **JV565HBB**

JV536/535

(not shown)
Similar to JV566/565,
except 30" wide

-  **JV536HSS**
-  **JV535HWW**
-  **JV535HCC**
-  **JV535HBB**

Controls hidden under the vent allow for a seamless exterior appearance.





JV367

GE® 36" Deluxe Hood

- Convertible venting
- Vertical or rear exhaust
- Variable three-speed fan control
- Cooktop light
- Removable grease filter
- Round or rectangular ducting

 **JV367HWW**

 **JV367HCC**

 **JV367HBB**



JV347

GE 30" Deluxe Hood

- Convertible venting
- Vertical or rear exhaust
- Variable three-speed fan control
- Cooktop light
- Removable grease filter
- Round or rectangular ducting

 **JV347HWW**

 **JV347HCC**

 **JV347HBB**



JV338

GE 30" Standard Hood

- Vented
- Vertical or rear exhaust
- Variable two-speed fan control
- Cooktop light
- Removable grease filter
- Round or rectangular ducting

 **JV338HWW**

 **JV338HCC**

 **JV338HBB‡**

‡Available Spring 2004

JN327 (not shown)
Similar to JV338, except non-vented

 **JN327HWW**

 **JN327HCC**

 **JN327HBB‡**

‡Available Spring 2004

30" Built-In Double and Single Ovens with Trivection™ Technology

		GE Profile™	
		JT980SH JT980WH JT980CH JT980BH	
Features			
Oven	Upper	Trivection/Convection	
	Lower	Convection	
Oven capacity (cu. ft.)		4.3 upper / 4.4 lower	
Trivection technology		●	
Speed baking		Upper	
Speed broiling		Upper	
Precise Air™ convection system		●	
Multi-rack convection bake		●	
Single-rack convection bake		●	
Convection roast		●	
Auto Recipe™ conversion		●	
Self-clean oven w/Delay Clean option		●	
Automatic self-clean oven door lock		●	
Light self-clean option		●	
TrueTemp™ system		●	
Variable broil/Six-pass broil element		●	
Dual power bake element		Upper	
Eight-pass bake element		Lower	
Chef's Guide™ controls		Glass touch	
Programmable recipe recall		●	
Proof mode		●	
Warm mode		●	
Defrost mode		Upper	
Help mode		Upper	
Optional closed door broiling		●	
Temperature display		●	
Delay Bake Option		●	
C° and F° programmable		●	
Audible preheat signal		●	
Auto oven shut-off w/override		●	
Electronic clock and kitchen timer		●	
Control lock capability		●	
Oven lights		2 Halogen	
Certified Sabbath Mode		●	
Oven racks	Upper	3 Heavy-duty	
	Lower	3 Heavy-duty	
Embossed rack positions		5 Upper/7 Lower	
Roasting rack		●	
Extra-large broiler pan with grid		●	
Appearance			
Color appearance*		SS WW CC BB	
Color appearance*		Stainless Steel White Glass Bisque Glass Black Glass	
Frameless oven doors		●	
Big View window		Stainless look White Bisque Black	
Sculptured handles		●	
Trivection cookbook		●	
Weights & Dimensions			
Approx. shipping wt. (lbs.)		333	
Oven cabinet width required (in.)		30	
Overall dimensions (WxHxD in inches)		29-3/4 x 52-7/8 x 23-1/2	
Overall oven Interior dimensions (WxHxD in inches)		24 x 17-1/2 x 17-1/2	
Upper		24 x 17-1/2 x 17-1/2	
Lower		24 x 16-1/4 x 18-1/4	
Power/Ratings			
KW rating @ 240V		8.9	
208V		6.7	
Amps @ 240V		40	
208V		40	
Convection wattage		2500	
Broiler/bake wattage		2500/2500	

*SS = Stainless steel, WW = White on white, CC = Bisque on bisque, BB = Black on black.

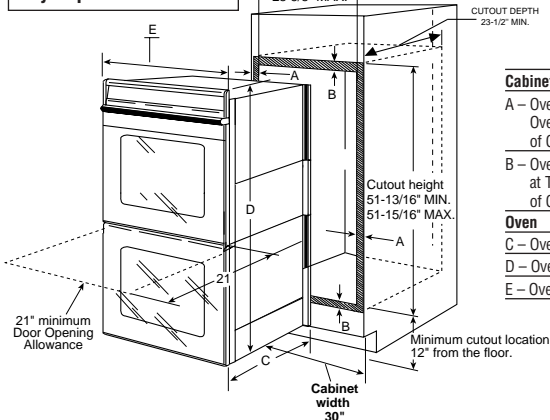
30" Slide-in Electric Range with Trivection Technology

		GE Profile	
		JS998SH JS998TH JS998KH JS998BH	
Features			
Oven		Trivection/Convection	
Oven capacity		4.3 cu. ft.	
Trivection technology		●	
Speed baking		●	
Speed broiling		●	
Precise Air convection system		●	
Multi-rack convection bake		●	
Single rack convection bake		●	
Convection roast		●	
Auto Recipe conversion		●	
Self-clean oven w/Delay Clean option		●	
Light self-clean option		●	
Automatic self-clean oven door lock		●	
Oven racks		3 Heavy-Duty	
TrueTemp system		●	
Variable broil/Six-pass broil element		●	
Dual power bake element		●	
Chef's Guide controls		Glass touch	
Programmable recipe recall		●	
Proof mode		●	
Warm mode		●	
Defrost mode		●	
Help mode		●	
Optional closed door broiling		●	
Temperature display		●	
Delay Bake option w/Cook & Hold		●	
C° or F° programmable		●	
Audible preheat signal		●	
Auto oven shut-off w/override		●	
Control lock capability		●	
Electronic clock/kitchen timer		●	
Hot surface indicator lights		4	
Heating element "ON" indicator light		●	
Certified Sabbath mode		●	
Interior oven lights		2 Halogen	
Storage drawer		Stainless White Bisque Black	
Extra-large broiler pan with grid		●	
Roasting rack		●	
Trivection cookbook		●	
Appearance			
Color appearance*		SS WW CC BB	
Color appearance*		Stainless steel White Glass Bisque Glass Black Glass	
Frameless oven doors		●	
Big View window		Stainless look White Bisque Black	
Sculptured handle		●	
Undercounter installation **		●	
Weights & Dimensions			
Approx. shipping wt. (lbs.)		199	
Oven cabinet width required (in.)		30	
Overall dimensions (WxHxD in inches)		29-3/4 x 28-1/4 x 23-1/2	
Overall oven Interior dimensions (WxHxD in inches)		24 x 17-1/2 x 17-1/2	
Power/Ratings			
KW rating @ 240V		5.9	
208V		4.4	
Amps @ 240V		30	
208V		30	
Convection wattage		2500	
Broiler/bake wattage		2500/2500	
Power/Ratings			
KW rating @ 240V		12.8	
208V		9.6	
Amps @ 240V		40	
208V		40	
Convection Wattage		2500	
Broiler/Bake Wattage		2500/2500	
Power/Ratings			
KW rating @ 240V		12.8	
208V		9.6	
Amps @ 240V		40	
208V		40	
Convection Wattage		2500	
Broiler/Bake Wattage		2500/2500	

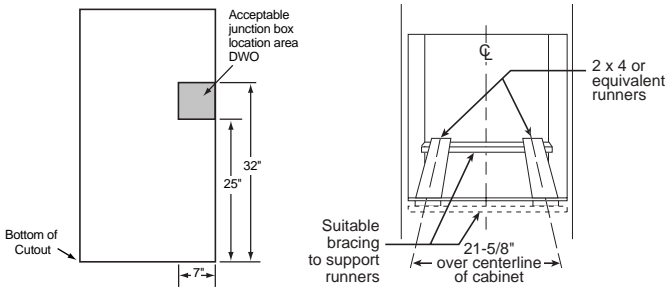
*SS = Stainless steel, WW = White on white, CC = Bisque on bisque, BB = Black on black.

30" Built-In Double Oven Dimensions (in inches) Model JT980

No change in cutout dimensions. Junction box may require relocation.



MOST 30" WALL CABINETS CAN BE USED WITH THIS UNIT. THE OPENING BETWEEN THE INSIDE WALLS MUST BE AT LEAST 28-1/2" WIDE.



(Must support 375 lbs.)

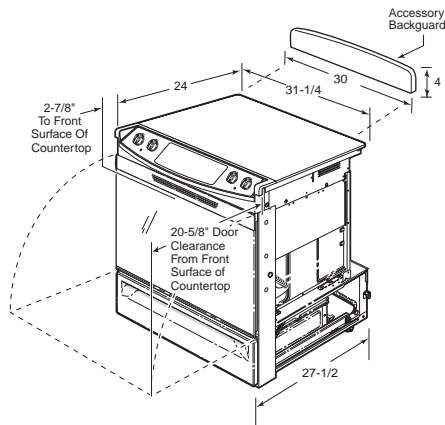
Electric wall ovens are not approved for installation with a plug and receptacle. They must be hard wired in accordance with installation instructions.

Installation Information: Before installing, consult installation instructions packed with product for current dimensional data or download from GEAppliances.com.

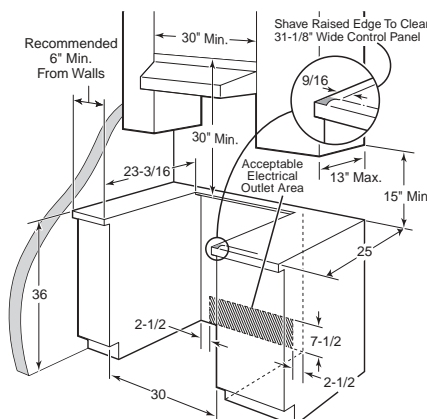
Note: Cabinets installed adjacent to wall ovens must have an adhesion spec of at least a 194° F temperature rating.

Note: If marks, blemishes or the cutout opening is visible above the installed oven, it may be necessary to add wood shims under the runners and front trim until the marks or openings are covered.

30" Slide-In Range Dimensions (in inches) Model JS998



Accessory Backguards (Shown above)
(Attaches to the back of range as a backguard when unit is installed in 30" free-standing cutout)
JXS37WW—White, JXS37CC—Bisque, JXS37BB—Black/Stainless



Note: Cabinets installed adjacent to slide-in electric ranges must have an adhesion spec of at least a 194° F temperature rating.

Note: To reduce possibility of scorching the side walls above the countertop when no load is present on burners, it is recommended that a minimum 6" spacing from adjacent side wall be allowed for possible extended high-heat element operation.

Note: Door handle protrudes 2-3/4" from door face. Cabinets and drawers on adjacent 45° and 90° walls should be placed to avoid interference with the handle.

Receptacle Locations: For all 30" Slide-in Ranges locally approved flexible service cord or conduit must be used because terminals are not accessible after range installation. See shaded area in drawing for location of electrical outlet box. Recommended outlet locations allow range to be installed directly against rear wall.

Installation Information: Before installing, consult installation instructions packed with product for current dimensional data.



Listed by Underwriters Laboratories



All GE ranges are equipped with an Anti-Tip device. The installation of this device is an important, required step in the installation of the range.

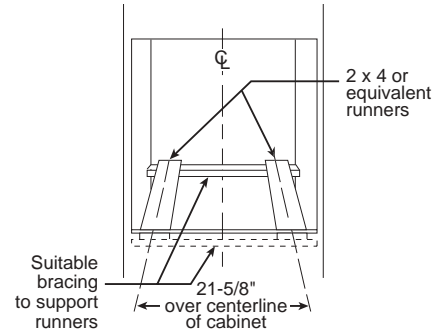
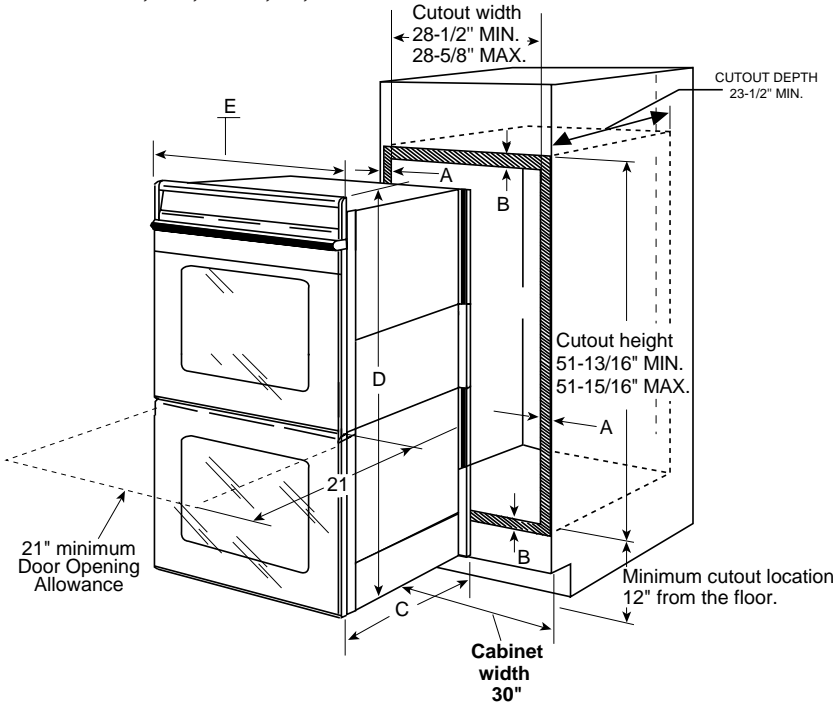
30" Built-In Double Ovens

		GE Profile™		GE®			GE Profile	GE
		Convection Double Ovens		Double Ovens			Microwave Double Ovens	
		JT955SF JT955WF JT955CF JT955BF	JT952SF JT952WF JT952CF JT952BF	JTP50SH	JTP48SF JTP48WF JTP48CF JTP48BF	JTP28SF JTP28WF JTP28CF JTP28BF	JT965SF JT965WF JT965CF JT965BF	JTP86SH JTP86WF JTP86CF JTP86BF
Features								
	Upper	Convection/Self-Clean	Convection/Self-Clean	Self-Clean	Self-Clean	Self-Clean	Microwave	Microwave
Oven	Lower	Thermal/Self-Clean	Thermal/Self-Clean	Self-Clean	Self-Clean	Standard	Convection/Self-Clean	Self-Clean
Cleaning time		Variable	Variable	Variable	Variable	Variable (upper)	Variable (lower)	Variable (lower)
Automatic self-clean oven door lock		●	●	●	●	Upper	Lower	Lower
Self-clean oven w/Delay Clean option		●	●	●	●	Upper	Lower	Lower
Light self-clean option		●	●	●	●	Upper	Lower	Lower
TrueTemp™ system		●	●	●	●	Upper	Lower	Lower
CleanDesign oven interior/hidden bake		●	●				Lower	
Variable broil/Six-pass broil element		●	●	●	●	●	Lower	Lower
Eight-pass bake element		●	●				Lower	
Precise Air™ convection system		Upper	Upper					
Convection bake		Multi/Single-rack Upper	Upper				Lower	
Convection roast		Upper	Upper				Lower	
Auto Recipe™ conversion		Upper	Upper				●	
SmartSet controls		Glass Touch	●	●	●	Upper	●	●
Proof mode		Upper						
Oven meat probe		Upper	Upper				Lower	
Warm mode		Upper						
Optional closed door broiling		●	●	●	●	●	Lower	Lower
Temperature display		●	●	●	●	Upper	Lower	Lower
Delay Bake Option		●	●	●	●	Upper	Lower	Lower
C° and F° programmable		●	●	●	●	Upper	Lower	Lower
Audible preheat signal		●	●	●	●	Upper	Lower	Lower
Auto oven shut-off w/override		●	●	●	●	Upper	Lower	Lower
Electronic clock and kitchen timer		●	●	●	●	Upper	Lower	●
Control lock capability		●	●	●	●	Upper	Lower	Lower
Oven light		Halogen	●	●	●	●	Halogen (lower)	Lower
Certified Sabbath Mode		●	●	●	●	Upper	●	●
Microwave Oven Features:								
Microwave cooking timer							99-Min./99-Sec.	99-Min./99-Sec.
Microwave power levels							10	10
Sensor functions							6	3
Electronic MWO touch controls							●	●
Microwave oven cavity (cu. ft.)							1.6	1.6
MWO power output watts							1000	1000
Turntable							●	●
Oven racks	Upper	3 Heavy-duty	3 Heavy-duty	2	2	2		
	Lower	2 Heavy-duty	2 Heavy-duty	2	2	2	3 Heavy-duty	2
Embossed rack positions		7 Upper/6 Lower	7 Upper/6 Lower	6 Upper/6 Lower	6 Upper/6 Lower	6 Upper/6 Lower	7 Lower	6 Lower
Roasting rack		Upper					Lower	
Broiler pan with grid		Upper	Upper	Upper	Upper	Upper	Lower	Lower
Appearance								
		SS WW CC BB	SS WW CC BB	SS	SS WW CC BB	SS WW CC BB	SS WW CC BB	SS WW CC BB
Color appearance*								
Frameless oven doors		Stainless Steel White Glass Bisque Glass Black Glass	Stainless Steel White Glass Bisque Glass Black Glass	Stainless Steel	Stainless Steel White Glass Bisque Glass Black Glass	Stainless Steel White Glass Bisque Glass Black Glass	Stainless Steel White Glass Bisque Glass Black Glass	Stainless Steel White Glass Bisque Glass Black Glass
Big ClearView™ windows		●	●	●	●	●	Lower	Lower
Oven door handles		Sculptured Stainless-look Sculptured White Sculptured Bisque Sculptured Black	Sculptured Stainless-look Sculptured White Sculptured Bisque Sculptured Black	Stainless look	Black White Bisque Black	Black White Bisque Black	Sculptured Stainless-look Sculptured White Sculptured Bisque Sculptured Black	Stainless look White Bisque Black
Flush appearance installation		●	●	●	●	●	●	●
Convection cookbook		●	●				●	
Weights & Dimensions								
Approx. shipping wt. (lbs.)		260	257	254	248	231	206	183
Oven cabinet width required (in.)		30	30	30	30	30	30	30
Overall dimensions (WxHxD in inches)		29-3/4 x 52-7/8 x 23-1/2	29-3/4 x 52-7/8 x 23-1/2	29-3/4 x 52-7/8 x 23-1/2	29-3/4 x 52-7/8 x 23-1/2	29-3/4 x 52-7/8 x 23-1/2	29-3/4 x 43-1/4 x 23-1/2	29-3/4 x 43-1/4 x 23-1/2
Overall oven interior dimensions (WxHxD in inches)	Upper	24 x 16-1/4 x 18-1/4	24 x 16-1/4 x 18-1/4	24 x 17-1/2 x 18-1/4	24 x 17-1/2 x 18-1/4	24 x 17-1/2 x 18-1/4	16-1/4 x 9-5/8 x 15-3/4	16-1/4 x 9-5/8 x 15-3/4
	Lower	24 x 16-1/4 x 18-1/4	24 x 16-1/4 x 18-1/4	24 x 17-1/2 x 18-1/4	24 x 17-1/2 x 18-1/4	24 x 17-1/2 x 18-1/4	24 x 16-1/4 x 18-1/4	24 x 17-1/2 x 18-1/4
Power/Ratings								
KW rating @ 240V		7.2	7.2	7.2	7.2	8.8	6.6	6.6
		208V	5.4	5.4	5.4	6.6	5.3	5.3
Amps @ 240V		40	40	40	40	40	30	30
		208V	30	30	30	30	30	30
Convection wattage		2500	2500				2500	
Broiler/bake wattage		3600/2700	3600/2700	3600/3410	3600/3410	3600/3410	3600/2700	3600/3410

*SS = Stainless steel, WW = White on white, CC = Bisque on bisque, BB = Black on black.



30" Built-In Double Oven Dimensions (in inches)
Models JT955, 952, JTP50, 48, 28



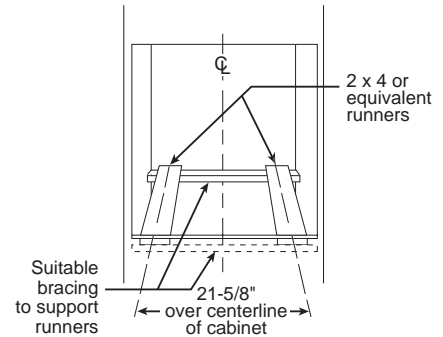
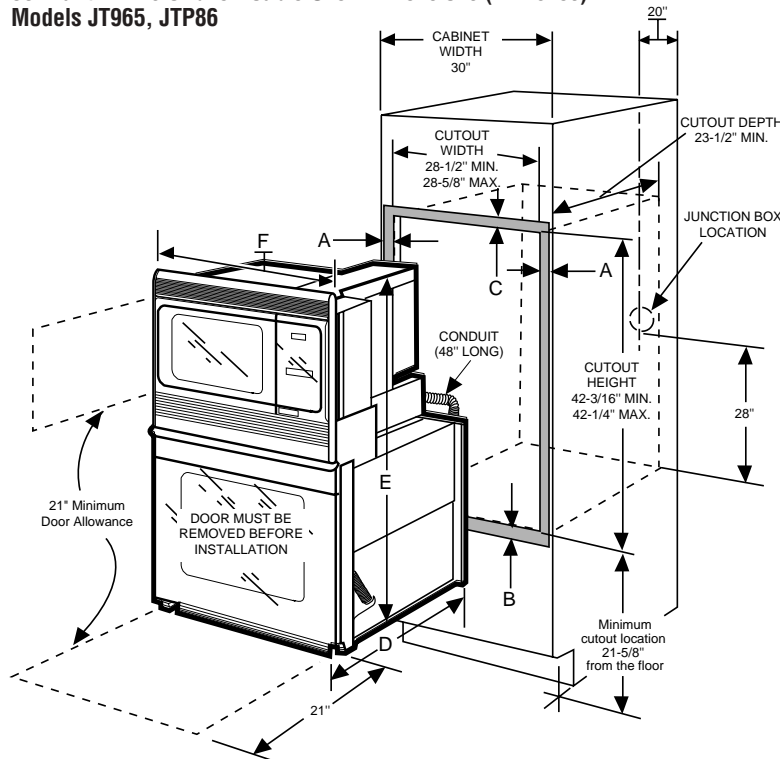
(Must support 325 lbs.)

Cabinet	30"
A – Overlap of Oven Over Side Edges of Cutout	11/16" – 3/4"
B – Overlap of Oven at Top and Bottom of Cutout	1"
Oven	
C – Overall Depth	23-1/2"
D – Overall Height	52-7/8"
E – Overall Width	29-3/4"

- Note:** Cabinets installed adjacent to wall ovens must have an adhesion spec of at least a 194°F temperature rating.
- Note:** If marks, blemishes or the cutout opening is visible above the installed oven, it may be necessary to add wood shims under the runners and front trim until the marks or openings are covered.
- Note:** Door handle protrudes 2-3/4" from door face. Cabinets and drawers on adjacent 45° and 90° walls should be placed to avoid interference with the handle.

MOST 30" WALL CABINETS CAN BE USED WITH THIS UNIT.
 THE OPENING BETWEEN THE INSIDE WALLS MUST BE AT LEAST 28-1/2" WIDE.

30" Built-In Microwave Double Oven Dimensions (in inches)
Models JT965, JTP86



(Must support 275 lbs.)

Cabinet	30"
A – Overlap of Oven Over Side Edges of Cutout	11/16"
B – Overlap of Oven at Bottom of Cutout	1"
C – Overlap of Oven at Top of Cutout	1/2"
Oven	
D – Overall Depth	23-1/2"
E – Overall Height	43-1/2"
F – Overall Width	29-3/4"

- Note:** Cabinets installed adjacent to wall ovens must have an adhesion spec of at least a 194°F temperature rating.
- Note:** If marks, blemishes or the cutout opening is visible above the installed oven, it may be necessary to add wood shims under the runners and front trim until the marks or openings are covered.
- Note:** Door handle protrudes 2-3/4" from door face. Cabinets and drawers on adjacent 45° and 90° walls should be placed to avoid interference with the handle.

MOST 30" WALL CABINETS CAN BE USED WITH THIS UNIT.
 THE OPENING BETWEEN THE INSIDE WALLS MUST BE AT LEAST 28-1/2" WIDE.

Electric wall ovens are not approved for installation with a plug and receptacle. They must be hard wired in accordance with installation instructions.

Installation Information: Before installing, consult installation instructions packed with product for current dimensional data.

27" and 24" Built-In Double Ovens

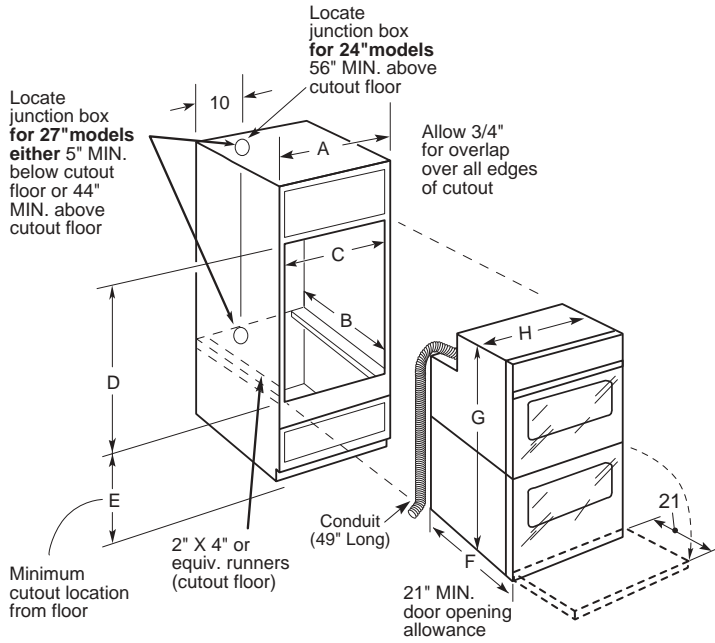
	GE Profile™		GE®				
	27" Convection Double Ovens		27" Double Ovens		27" Microwave Double Ovens	24" Double Oven	
	JK955SF JK955WF JK955CF JK955BF		JKP50SH	JKP48WF JKP48CF JKP48BF	JKP28WF JKP28BF	JKP86SH JKP86WF JKP86CF JKP86BF	JRP28BJ
Features							
Oven	Upper Lower	Convection/Self-Clean Thermal/Self-Clean	Self-Clean Self-Clean	Self-Clean Self-Clean	Self-Clean Standard	Microwave Self-Clean	Self-Clean Standard
Cleaning time		Variable	Variable	Variable	Variable (upper)	Variable (Lower)	Variable (upper)
Automatic self-clean oven door lock		●	●	●	Upper	Lower	Upper
Self-clean oven w/Delay Clean option		●	●	●	Upper	Lower	Upper
Light self-clean option		●	●	●	Upper	Lower	
TrueTemp™ system		●	●	●	Upper	Lower	
CleanDesign oven interior/hidden bake		●					
Variable broil		●	●	●	●	Lower	Upper
Precise Air™ convection system		Upper					
Multi-rack convection bake		Upper					
Single-rack convection bake		Upper					
Convection roast		Upper					
Auto Recipe™ conversion		Upper					
SmartSet Controls		Glass touch	●	●	Upper	Lower	Upper
Proof mode		Upper					
Warm mode		Upper					
Oven meat probe		Upper					
Optional closed door broiling		●	●	●	●	Lower	●
Temperature display		●	●	●	Upper	Lower	Upper
Delay Bake Option		●	●	●	Upper	Lower	Upper
C° and F° programmable		●	●	●	Upper	Lower	Upper
Audible preheat signal		●	●	●	Upper	Lower	Upper
Auto oven shut-off w/override		●	●	●	Upper	Lower	Upper
Electronic clock and kitchen timer		●	●	●	●	●	●
Control lock capability		●	●	●	Upper	Lower	Upper
Oven light		Halogen	●	●	●	Lower	●
Certified Sabbath Mode		●	●	●	Upper	●	●
Microwave Oven Features:							
Microwave cooking timer						99-Min./99-Sec.	
Microwave power levels						10	
Sensor functions						3	
Electronic MWO touch controls						●	
Microwave oven cavity (cu. ft.)						1.6	
MWO power output watts						1000	
Turntable						●	
Oven racks	Upper Lower	3 Heavy-duty 2 Heavy-duty	2 2	2 2	2 2	2	2 2
Embossed rack positions		4 Upper/4 Lower	4 Upper/4 Lower	4 Upper/4 Lower	4 Upper/4 Lower	4 Lower	4 Upper/4 Lower
Roasting rack		Upper					
Broiler pan with grid		Upper	Upper	Upper	Upper	Lower	●
Convection cookbook		●					
Appearance							
Color appearance*		SS WW CC BB	SS	WW CC BB	WW BB	SS WW CC BB	BB
Frameless oven doors		Stainless steel White Glass Bisque Glass Black Glass	Stainless Steel	White Glass Bisque Glass Black Glass	White Glass Black Glass	Stainless Steel White Glass Bisque Glass Black Glass	Black Glass
Big ClearView™ windows		●	●	●	●	Lower	●
Oven door handles		Sculptured Stainless-look Sculptured White Sculptured Bisque Sculptured Black	Stainless-Look	White Bisque Black	White Black	Stainless-Look White Bisque Black	Black
Flush appearance installation		●	●	●	●	●	
Weights & Dimensions							
Approx. shipping wt. (lbs.)		162	160	157	157	178	178
Oven cabinet width required (in.)		27	27	27	27	27	24
Overall dimensions (WxHxD in inches)		26-5/8 x 51 x 23-5/8	26-5/8 x 51 x 23-5/8	26-5/8 x 51 x 23-5/8	26-5/8 x 51 x 23-5/8	26-5/8 x 42-1/2 x 23-5/8	23-3/4 x 48-5/8 x 23-1/8
Overall oven Interior dimensions	Upper Lower	21-1/2 x 17 x 18-1/4 21-1/2 x 17 x 18-1/4	21-1/2 x 17 x 18-1/4 21-1/2 x 17 x 18-1/4	21-1/2 x 17 x 18-1/4 21-1/2 x 17 x 18-1/4	21-1/2 x 17 x 18-1/4 21-1/2 x 17 x 18-1/4	16 x 11-1/8 x 13-3/8 21-1/2 x 17 x 18-1/4	17 x 15 x 18-1/2 17 x 15 x 18-1/2
Power/Ratings							
KW rating @ 240V		6.8	6.8	6.8	7.1	6.4	7.1
208V		5.1	5.1	5.1	5.3	5.1	5.3
Amps @ 240V		30	30	30	30	30	30
208V		30	30	30	30	30	30
Convection wattage		2500					
Broiler/bake wattage		3400/2650	3400/2650	3400/2650	3400/2650	3400/2650	3400/2600

*SS = Stainless steel, WW = White on white, CC = Bisque on bisque, BB = Black on black.



Listed by
Underwriters
Laboratories

27"/24" Built-In Double Oven Dimensions (in inches)

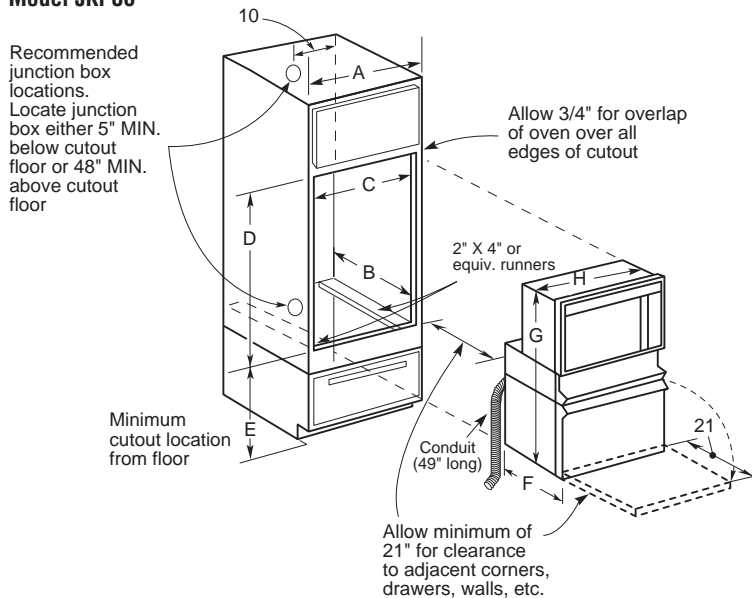


Note: Cabinets installed adjacent to wall ovens must have an adhesion spec of at least a 194°F temperature rating.

Note: If marks, blemishes or the cutout opening is visible above the installed oven, it may be necessary to add wood shims under the runners and front trim until the marks or openings are covered.

Note: Door handle protrudes 2-3/4" from door face. Cabinets and drawers on adjacent 45° and 90° walls should be placed to avoid interference with the handle.

27" Built-In Microwave Double Oven Dimensions (in inches) Model JKP86



Note: Cabinets installed adjacent to wall ovens must have an adhesion spec of at least a 194°F temperature rating.

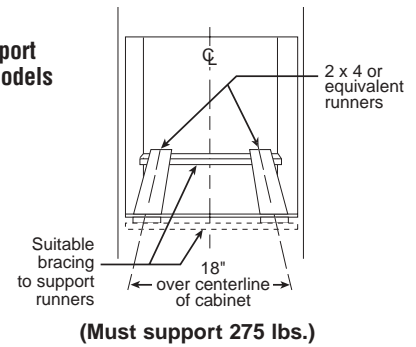
Note: If marks, blemishes or the cutout opening is visible above the installed oven, it may be necessary to add wood shims under the runners and front trim until the marks or openings are covered.

Note: Door handle protrudes 2-3/4" from door face. Cabinets and drawers on adjacent 45° and 90° walls should be placed to avoid interference with the handle.

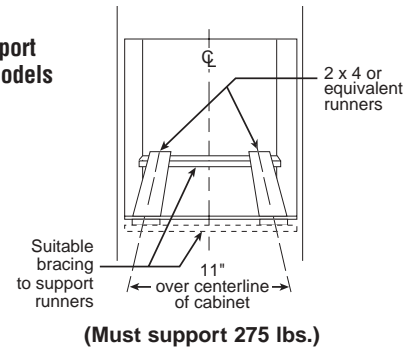
Electric wall ovens are not approved for installation with a plug and receptacle. They must be hard wired in accordance with installation instructions.

Installation Information: Before installing, consult installation instructions packed with product for current dimensional data.

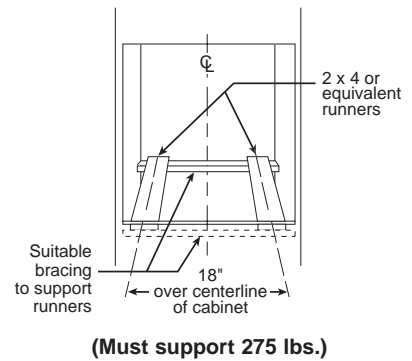
Oven Support For 27" Models



Oven Support For 24" Models



Cabinet	JK955/JKP50/48/28	JRP28
A – Cabinet Width Required	27" min.	24" min.
B – Minimum Cabinet Depth	23-5/8"	23-1/2"
C – Opening Width	25" min. - 25-1/4 max.	22-1/2"
D – Opening Height	50-1/8" max.	48-1/8" min.
E – Recommended Minimum Cutout Location from Floor	13-1/4"	14"
Oven		
F – Overall Depth	23-5/8"	25-1/8"
	w/o trim	50-1/4"
	with trim	48-1/8"
G – Overall Height	51"	48-25/32"
H – Overall Width	26-5/8"	23-3/4"



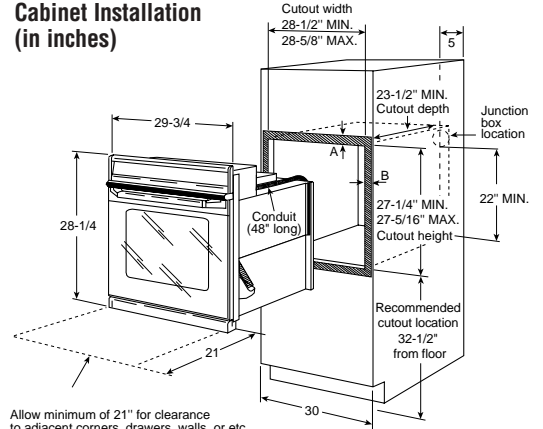
Cabinet	27"
A – Cabinet Width Required	27" min.
B – Minimum Cabinet Depth	23-5/8"
C – Opening Width	25" min. - 25-1/4 max.
D – Opening Height	41-1/4" max.
E – Minimum Cutout Location from Floor	22"
Oven	
F – Overall Depth	23-5/8"
	w/o trim
	41-3/8"
G – Overall Height	with trim
	42-1/8"
H – Overall Width	26-5/8"

30" Built-In Single Ovens

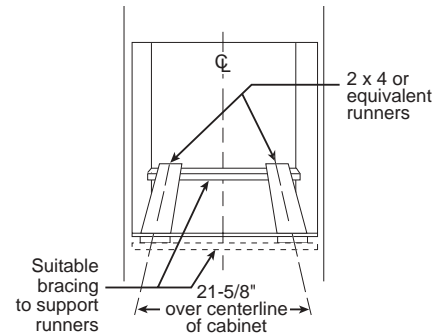
Features	GE Profile™		GE®	
	Convection Single Ovens		Single Ovens	
	JT915SF JT915WF JT915CF JT915BF	JT912SF JT912WF JT912CF JT912BF	JTP25SH	JTP20SF JTP20WF JTP20CF JTP20BF
Oven	Convection/Self-Clean	Convection/Self-Clean	Self-Clean	Self-Clean
Cleaning time	Variable	Variable	Variable	Variable
Automatic self-clean oven door lock	●	●	●	●
Self-clean oven w/Delay Clean option	●	●	●	●
Light self-clean option	●	●	●	●
TrueTemp™ system	●	●	●	●
CleanDesign oven interior/hidden bake	●	●	●	●
Variable broil/Six-pass broil element	●	●	●	●
Eight-pass bake element	●	●	●	●
Precise Air™ convection system	●	●	●	●
Convection bake	Multi/Single-rack	●	●	●
Convection roast	●	●	●	●
Auto Recipe™ conversion	●	●	●	●
SmartSet controls	Glass touch	●	●	●
Proof mode	●	●	●	●
Warm mode	●	●	●	●
Oven meat probe	●	●	●	●
Optional closed door broiling	●	●	●	●
Temperature display	●	●	●	●
Delay Bake Option	●	●	●	●
C° and F° programmable	●	●	●	●
Audible preheat signal	●	●	●	●
Auto oven shut-off w/override	●	●	●	●
Electronic clock and kitchen timer	●	●	●	●
Control lock capability	●	●	●	●
Oven light	Halogen	●	●	●
Certified Sabbath Mode	●	●	●	●
Oven racks	3 Heavy-duty	3 Heavy-duty	2	2
Embossed rack positions	7	7	6	6
Roasting rack	●	●	●	●
Broiler pan with grid	●	●	●	●
Convection cookbook	●	●	●	●
Appearance				
Color appearance*	SS WW CC BB	SS WW CC BB	SS	SS WW CC BB
Frameless oven door	Stainless steel White Glass Bisque Glass Black Glass	Stainless steel White Glass Bisque Glass Black Glass	Stainless Steel	Stainless steel White Glass Bisque Glass Black Glass
Big ClearView™ window	●	●	●	●
Oven door handle	Sculptured Stainless-look Sculptured White Sculptured Bisque Sculptured Black	Sculptured Stainless-look Sculptured White Sculptured Bisque Sculptured Black	Stainless-Look	Black White Bisque Black
Flush appearance installation	●	●	●	●
Undercounter installation	●	●	●	●
Weights & Dimensions				
Approx. shipping wt. (lbs.)	145	142	133	130
Oven cabinet width required (in.)	30	30	30	30
Overall dimensions (WxHxD in inches)	29-3/4 x 28-1/4 x 23-1/2	29-3/4 x 28-1/4 x 23-1/2	29-3/4 x 28-1/4 x 23-1/2	29-3/4 x 28-1/4 x 23-1/2
Overall oven interior dimensions (WxHxD in inches)	24 x 16-1/4 x 18-1/4	24 x 16-1/4 x 18-1/4	24 x 17-1/2 x 18-1/4	24 x 17-1/2 x 18-1/4
Power/Ratings				
KW rating @ 240V	3.6	3.6	3.6	3.6
208V	2.7	2.7	2.7	2.7
Amps @ 240V	20	20	20	20
208V	20	20	20	20
Convection wattage	2500	2500		
Broiler/bake wattage	3600/2700	3600/2700	3600/3410	3600/3410

*SS = Stainless steel, WW = White on white, CC = Bisque on bisque, BB = Black on black.

30" Built-In Single Oven Dimensions (in inches) Single Oven Wall-Mount or Cabinet Installation (in inches)



Allow minimum of 21" for clearance to adjacent corners, drawers, walls, or etc.
A=Allow 1" overlap of oven over top and bottom edges of cutout.
B=Allow 11/16"-3/4" for overlap of oven over side edges of cutout.



(Must support 275 lbs.)

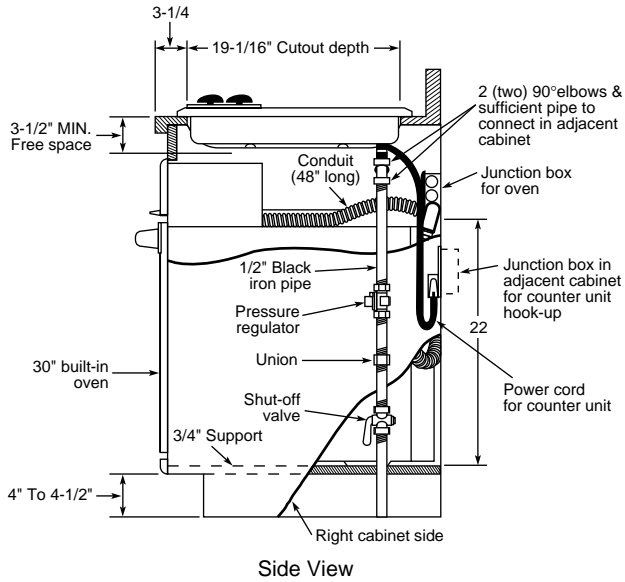
Most 30" wall cabinets can be used with this unit.

Note: These ovens are *not* approved for stackable or side-by-side installations.

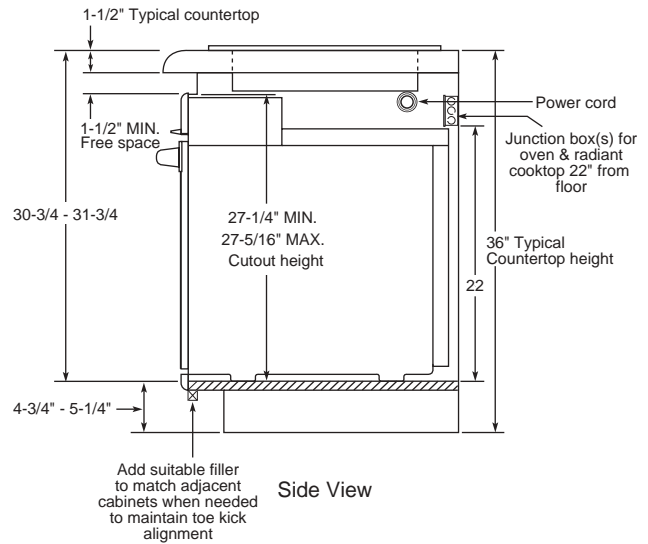
Note: Cabinets installed adjacent to wall ovens must have an adhesion spec of at least a 194°F temperature rating.



Optional Undercounter Installation With Gas Cooktop



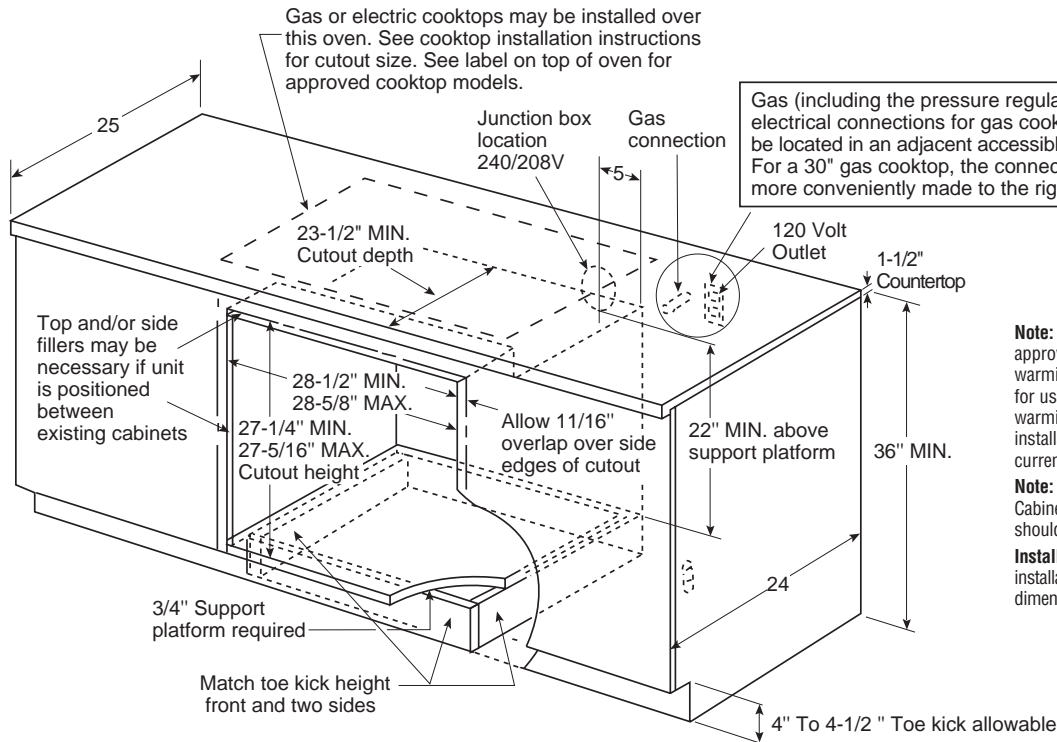
Optional Undercounter Installation With Electric cooktop



Note: For this installation, the bottom trim **will not** be flush with a typical 4" toe kick.

Note: Cabinets installed adjacent to wall ovens must have an adhesion spec of at least a 194°F temperature rating.

Undercounter Installation (in inches)



Note: 36" ribbon cooktops (excluding JP960) are approved for use over GE 30" single wall ovens and warming drawers. 30" ribbon cooktops are approved for use over GE 30" and GE 27" single wall ovens and warming drawers. Refer to cooktop and wall oven installation information packed with products for current dimensional data.

Note: Door handle protrudes 2-3/4" from door face. Cabinets and drawers on adjacent 45° and 90° walls should be placed to avoid interference with the handle.

Installation Information: Before installing, consult installation instructions packed with product for current dimensional data and for alternate installation options.

Electric wall ovens are not approved for installation with a plug and receptacle. They must be hard wired in accordance with installation instructions.

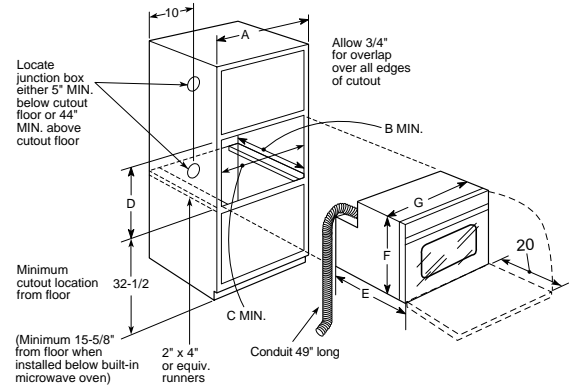
Installation Information: Before installing, consult installation instructions packed with product for current dimensional data.

27" and 24" Built-In Single Ovens

Features	GE Profile™	GE®			24" Single Ovens	
	27" Convection Single Ovens	27" Single Ovens			24" Single Ovens	
	JK915SF JK915WF JK915CF JK915BF	JKP25SH	JKP20WF JKP20CF JKP20BF	JKS06BF	JRP20WJ JRP20BJ	JRS06BJ
Oven	Convection/Self-Clean	Self-Clean	Self-Clean	Standard-Clean	Self-Clean	Standard
Cleaning time	Variable	Variable	Variable		Variable	
Automatic self-clean oven door lock	●	●	●		●	●
Self-clean oven w/Delay Clean option	●	●	●		●	
Light self-clean option	●	●	●			
TrueTemp™ system	●	●	●	●		
CleanDesign oven interior/hidden bake	●					
Variable broil	●	●	●	●	●	●
Precise Air™ convection system	●					
Multi-rack convection bake	●					
Single-rack convection bake	●					
Convection roast	●					
Auto Recipe™ conversion	●					
SmartSet Controls	Glass touch	●	●	●	●	●
Proof Mode	●					
Warm Mode	●					
Oven meat probe	●					
Optional closed door broiling	●	●	●	●		
Temperature display	●	●	●	●	●	●
Delay Bake Option	●	●	●	●	●	●
C° and F° programmable	●	●	●	●	●	●
Audible preheat signal	●	●	●	●	●	●
Auto oven shut-off w/override	●	●	●	●	●	●
Electronic clock and kitchen timer	●	●	●	●	●	●
Control lock capability	●	●	●	●	●	●
Oven light	Halogen	●	●	●	●	●
Certified Sabbath Mode	●	●	●	●	●	●
Oven racks	3 Heavy-duty	2	2	2	2	2
Embossed rack positions	4	4	4	4	4	4
Roasting rack	●					
Broiler pan with grid	●	●	●	●	●	●
Convection cookbook	●					
Appearance						
Color appearance*	SS WW CC BB	SS	WW CC BB	BB	WW BB	BB
Frameless oven door	Stainless Steel White Glass Bisque Glass Black Glass	Stainless Steel	White Glass Bisque Glass Black Glass	Black Glass	White Glass Black Glass	Black Glass Standard
Big ClearView™ window	●	●	●	●	●	●
Oven door handle	Sculptured Stainless-look Sculptured White Sculptured Bisque Sculptured Black	Stainless-Look	White Bisque Black	Black	White Black	Black
Flush appearance installation	●	●	●	●	●	●
Undercounter installation	●	●	●	●	●	●
Weights & Dimensions						
Approx. shipping wt. (lbs.)	137	96	104	91	114	82
Oven cabinet width required (in.)	27	27	27	27	24	24
Overall dimensions (WxHxD in inches)	26-5/8 x 29 x 23-5/8	26-5/8 x 29 x 23-5/8	26-5/8 x 29 x 23-5/8	26-5/8 x 29 x 23-5/8	23-3/4 x 28-3/16 x 23-1/8	23-3/4 x 28-3/16 x 23-1/8
Overall oven interior dimensions (WxHxD in inches)	21-1/2 x 17 x 18-1/4	21-1/2 x 17 x 18-1/4	21-1/2 x 17 x 18-1/4	21-1/2 x 17 x 18-1/4	17 x 15 x 18-1/2	17 x 15 x 18-1/2
Power/Ratings						
KW rating @ 240V	3.4	3.4	3.4	3.4	3.4	3.4
208V	2.6	2.6	2.6	2.6	2.6	2.6
Amps @ 240V	20	20	20	20	20	20
208V	20	20	20	20	20	20
Convection wattage	2500					
Broiler/bake wattage	3400/2650	3400/2650	3400/2650	3400/2000	3400/2600	3400/2000

*SS = Stainless steel, WW = White on white, CC = Bisque on bisque, BB = Black on black.

27"/24" Built-In Single Oven Dimensions (in inches)



Cabinet	JK915/JKP25, 20, JKS06	JRP20, JRS06
A – Cabinet Width Required	27" min.	24" min.
B – Minimum Cabinet Depth	23-5/8"	23-1/2"
C – Opening Width	25" min. - 25-1/4 max.	22-1/2"
D – Opening Height	27-5/8" min. - 28-1/8" max.	27-5/8" min.
Oven		
E – Overall Depth	23-5/8"	25-1/8"
F – Overall Height	w/o trim: 28-1/4" with trim: 29"	27-1/2" 28-1/4"
G – Overall Width	26-5/8"	23-3/4"

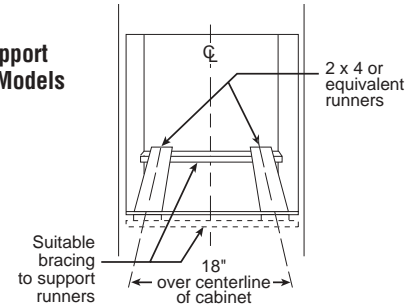
Note: These ovens are *not* approved for stackable or side-by-side installations.

Note: Cabinets installed adjacent to wall ovens must have an adhesion spec of at least a 194°F temperature rating.

Note: For 27" built-in single ovens, if marks, blemishes or the cutout opening is visible above the installed oven, it may be necessary to add wood shims under the runners and front trim until the marks or openings are covered.

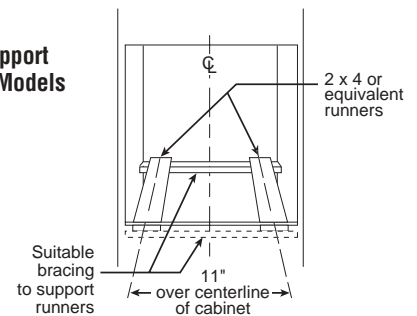
Note: Door handle protrudes 2-3/4" from door face. Cabinets and drawers on adjacent 45° and 90° walls should be placed to avoid interference with the handle.

Oven Support For 27" Models



(Must support 275 lbs.)

Oven Support For 24" Models



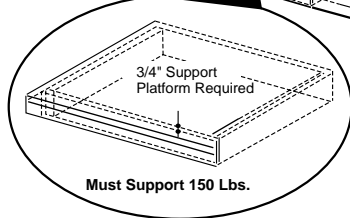
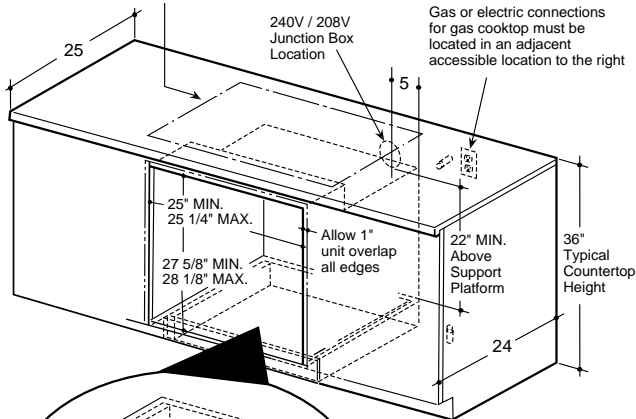
(Must support 275 lbs.)



Listed by Underwriters Laboratories

Undercounter Installation Dimensions (in inches) Models JK915, JKP25, 20 and JKS06

Gas or electric cooktops may be installed over this oven. See cooktop installation instructions for cutout size. See label on top of oven for approved cooktop models.

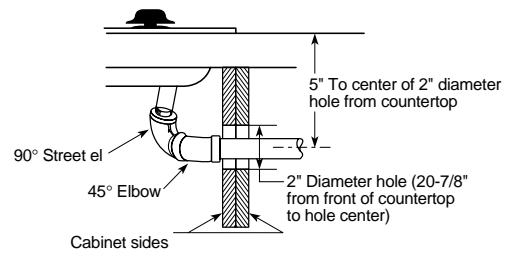


Note: 36" ribbon cooktops (excluding JP960) are approved for use over GE 30" single wall ovens and warming drawers. 30" ribbon cooktops are approved for use over GE 30" and GE 27" single wall ovens and warming drawers. Refer to cooktop and wall oven installation information packed with products for current dimensional data.

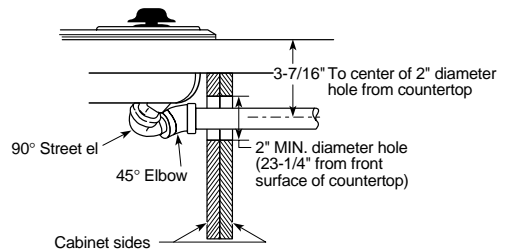
Note: Door handle protrudes 2-3/4" from door face. Cabinets and drawers on adjacent 45° and 90° walls should be placed to avoid interference with the handle.

Electric wall ovens are not approved for installation with a plug and receptacle. They must be hard wired in accordance with installation instructions.

Sealed Burner Gas Cooktop Installation Dimensions (in inches)



Standard Burner Gas Cooktop Installation Dimensions (in inches)



Note: Cabinets installed adjacent to wall ovens must have an adhesion spec of at least a 194°F temperature rating.

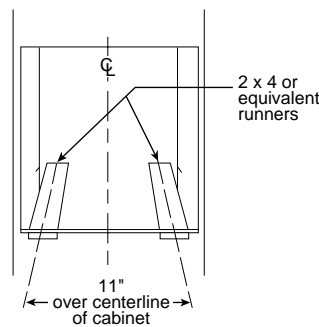
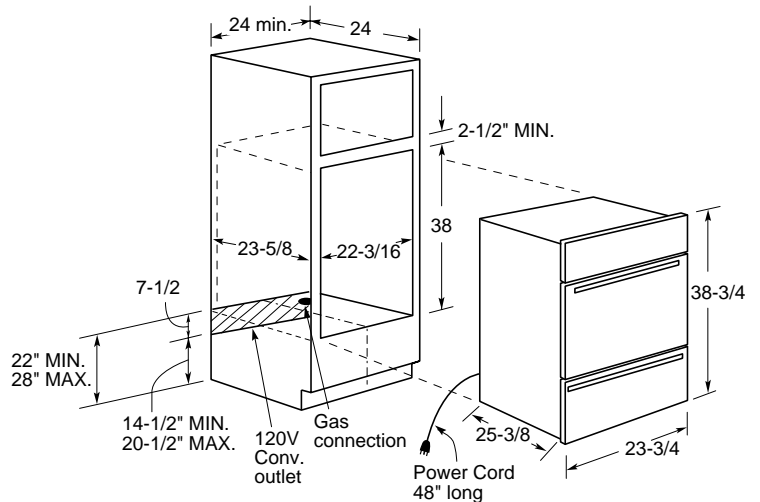
Note: Oven is rated for use only under 30" standard or sealed burner gas and selected 30" CleanDesign and Calrod® electric cooktops.

24" Built-In Gas Ovens

	GE	
	JGRP20WEJ JGRP20BEJ	JGRS06BEJ
Features		
Oven interior	Self-Clean	Standard
Automatic self-clean oven door lock	●	
Delay Clean option	●	
In-oven broiling	●	
Separate broiler drawer		●
Storage drawer	●	
SmartSet controls		●
Temperature display	●	●
Start pad	●	●
Delay Bake option w/Cook & Hold	●	●
C° or F° programmable	●	●
Audible preheat signal	●	●
Auto oven shut-off w/override	●	●
Electronic clock and kitchen timer	●	●
Control lock capability	●	●
Oven light pad	●	●
Oven racks	2	2
Broiler pan with grid	●	●
Electronic pilotless ignition	●	●
Appearance		
Color appearance*	WW BB	BB
Frameless oven door	White Glass Black Glass	Black Glass
Oven door with window	●	●
Designer-style handle	●	●
Weights & Dimensions		
Approx. shipping weight (lbs.)	151	131
Oven cabinet width required (in inches)	24	24
Overall dimensions (WxHxD in inches)	← 23-3/4 x 38-3/8 x 23 →	
Overall oven interior dimensions (WxHxD in inches)	← 17 x 15 x 18-7/8 →	
Power/Ratings		
Gas oven electrical rating	120V, 60Hz, 5A	120V, 60Hz, 15A
	13.0 - Oven	
	13.0 - Broil	14.5

* WW = White on white, BB = Black on black. Factory set for natural gas.

Built-In Gas Oven Dimensions (in inches)



(Must support 275 lbs.)

Note: Door handle protrudes 2-3/4" from door face. Cabinets and drawers on adjacent 45° and 90° walls should be placed to avoid interference with the handle.

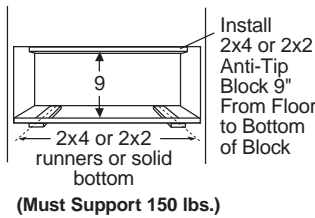
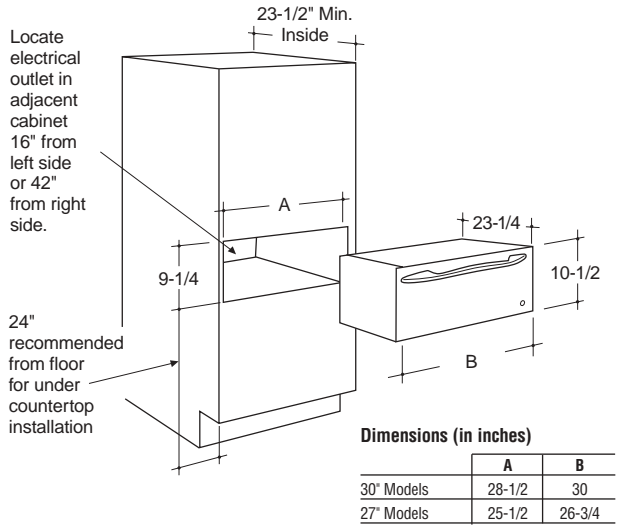
Installation Information: Before installing, consult installation instructions packed with product for current dimensional data.

30" and 27" Warming Drawers

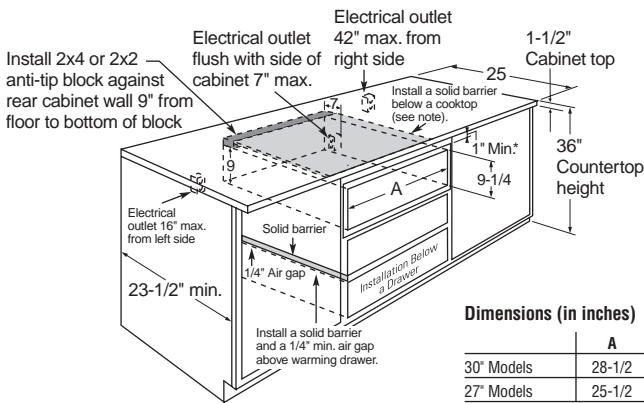
GE Profile™		
	30" Warming Drawers	27" Warming Drawers
	JTD915SF JTD915WF JTD915CF JTD915BF	JKD915SF JKD915WF JKD915CF JKD915BF
Features		
Temperature control	●	●
Proof (80°F)	●	●
Low (140°F)	●	●
Medium (170°F)	●	●
High (210°F)	●	●
Humidity control	Crisp/Moist	Crisp/Moist
Hidden control	●	●
ON/OFF switch	●	●
"ON" indicator light	●	●
Half rack	●	●
Full extension drawer glide	●	●
Removable stainless steel pan	●	●
Appearance		
	SS WW CC BB	SS WW CC BB
Color appearance*	Stainless Steel White glass Bisque glass Black glass	Stainless Steel White glass Bisque glass Black glass
Frameless drawer front	Stainless-look White Bisque Black	Stainless-look White Bisque Black
Sculptured handle		
Weights & Dimensions		
Interior dimensions (WxHxD in inches)	23-7/8 x 6-1/4 x 22-1/16	20-7/8 x 6-1/4 x 22-1/16
Cutout dimensions (WxHxD in inches)	28-1/2 x 9-1/4 x 23-1/2	25-1/2 x 9-1/4 x 23-1/2
Approx. shipping weight (lbs.)	65	59
Power/Ratings		
KW rating @ 120V	.45	.45
Amps @ 120V	15	15
Element wattage	450	450
Accessories		
1/4" panel kit capability	ZXD30B	ZXD27B
Pan set (2 pans with lids)	JXPN2	JXPN2

*SS = Stainless Steel, WW = White on white, CC = Bisque on bisque, BB = Black on black.

Warming Drawer Dimensions (in inches)



Undercounter Installation (in inches)

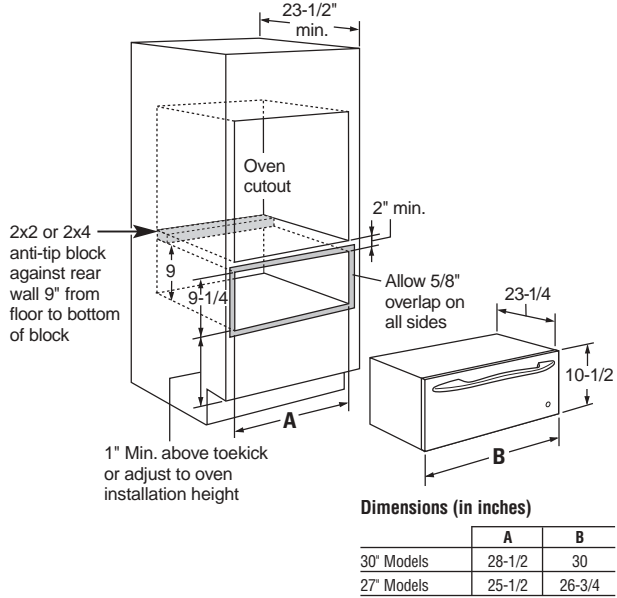


Note: When installing the warming drawer below a cooktop, a solid barrier must be installed at least 1" from the lowest point of the bottom of cooktop burner box to the top of the cutout. Use any solid material such as 1/4"-thick plywood. Allow at least 1/4" air gap between the barrier and the top of the warming drawer. See label on top of the warming drawer for approved cooktop models.

Installation Information: Before installing, consult installation instructions packed with product for current dimensional data.

Optional Accessory: Pan Set For Warming Drawer – JXPN2

Under Oven Installation (in inches)



Note: Additional clearance between cutouts may be required. Check to be sure that oven supports above the warming drawer location do not obstruct the required interior 23-1/2" depth and 9-1/4" height.

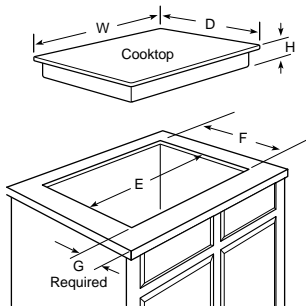
Note: Door handle protrudes 2-3/4" from door face. Cabinets and drawers on adjacent 45° and 90° walls should be placed to avoid interference with the handle.

Built-In CleanDesign Cooktops

Features	GE Profile							GE®
	JP969SH JP969WH JP969CH JP969BH	JP961SH JP961TH JP961KH JP961BH	JP960SC JP960TC JP960KC JP960BC	JP939SH JP939WH JP939CH JP939BH	JP931SH JP931TH JP931KH JP931BH	JP930SC JP930TC JP930KC JP930BC	JP350SC JP350TC JP350WC JP350KC JP350BC	
Ceramic-glass surface	Patterned Black Patterned White Patterned Bisque Patterned Black	Patterned Black True White True Bisque Patterned Black	Patterned Black True White True Bisque Patterned Black	Patterned Black Patterned White Patterned Bisque Patterned Black	Patterned Black True White True Bisque Patterned Black	Patterned Black True White True Bisque Patterned Black	Patterned Black True White Patterned White True Bisque Patterned Black	Patterned White Patterned Bisque Patterned Black
Number of elements	5 Ribbon	5 Ribbon	5 Ribbon	4 Ribbon	4 Ribbon	4 Ribbon	4 Ribbon	4 Ribbon
Dual 6 7/8" heating elements	1 Ribbon (2500W)	1 Ribbon (2500W)	1 Ribbon (2500W)	1 Ribbon (2500W)	1 Ribbon (2500W)	1 Ribbon (2500W)	1 Ribbon (2500W)	
Dual 5 7/8" heating elements	1 Ribbon (2200W)	1 Ribbon (2200W)		1 Ribbon (2200W)				
8" heating elements					1 Ribbon (2000W)		2 Ribbon (2000W)	2 Ribbon (2000W)
7" heating element	1 Ribbon w/Warmer (1500W)	1 Ribbon (1500W)	1 Ribbon (1500W)	1 Ribbon (1500W)				
7" heating elements			2 Ribbon (1800W)			2 Ribbon (1800W)		
Bridge element			1 Ribbon (800W)			1 Ribbon (800W)		
Total wattage			4400W			4400W		
6" heating elements	2 Ribbon (1200W)	2 Ribbon (1200W)	1 Ribbon (1200W)	1 Ribbon (1200W)	1 Ribbon (1200W)	1 Ribbon (1200W)	1 Ribbon (1200W)	2 Ribbon (1200W)
Hot surface indicator lights	5	5	5	4	4	4	4	1
Precise Digital Control System™	●			●				
Pan presence sensor	●			●				
Pan size sensor	●			●				
Kitchen timer	●			●				
Control lock capability	●			●				
Appearance								
Color appearance*	SS WW CC BB	SS WW CC BB	SS WW CC BB	SS WW CC BB	SS WW CC BB	SS WW CC BB	SS WW CC BB	WW CC BB
Frameless	●	●	●	●	●	●	●	●
Weights & Dimensions								
Cooktop width (in inches)	36	36	36	30	30	30	30	30
Approx. shipping weight (lbs.)	45	44	44	38	38	39	38	37
Power/Ratings								
KW rating @ 240V	8.6	9.6	9.6	7.4	7.6	8.1	7.7	6.4
208V	6.5	7.2	7.2	5.6	5.7	6.1	5.8	4.8
Amps @ 240V	40	40	40	40	40	40	40	30
208V	40	40	40	30	30	30	30	30

*SS = Stainless Steel, WW = White on white, CC = Bisque on bisque, BB = Black on black.

Cooktop Dimensions (in inches)



Cooktop Dimensions (in inches)

Model	Overall			Cutout			To Edge of Front Counter (Min.)
	W	D	H	E	F	G	
JP969WH/CH/BH	36	20-3/8	3-1/4*	33-7/8	19-1/8	2-1/2	
JP961TH/KH/BH	36	20-3/8	3-1/4*	33-7/8	19-1/8	2-1/2	
JP960TC/KC/BC	36	20-3/8	3-1/4*	33-7/8	19-1/8	2-1/2	
JP939WH/CH/BH	29-3/4	20-7/8	3-1/4*	28-1/2	19-5/8	2-1/2	
JP931TH/KH/BH	29-3/4	20-7/8	3-1/4*	28-1/2	19-5/8	2-1/2	
JP930TC/KC/BC	29-3/4	20-7/8	3-1/4*	28-1/2	19-5/8	2-1/2	
JP350TC/WC/KC/BC	29-3/4	20-7/8	3-1/4*	28-1/2	19-5/8	2-1/2	
JP340WJ/CJ/BJ	29-3/4	20-7/8	3-1/4*	28-1/2	19-5/8	2-1/2	

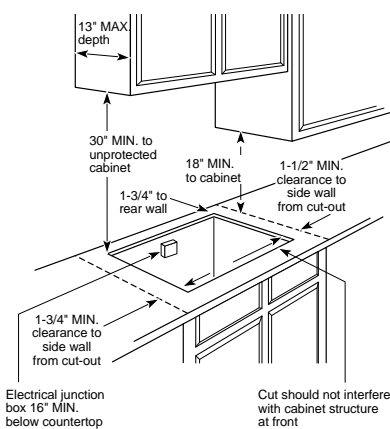
*Depth of unit at conduit connection location (rear) is 6-1/4" on models JP969/939 and 4-5/8" on models JP961/960/931/930/350/340.

Notes: If installing with a GE Profile Telescopic Downdraft System, consult both cooktop and downdraft installation instructions packed with product before installing. Cooktop gas/electric supply may need to be re-routed to install downdraft.

The countertop must be at least 26" deep with a flat surface area of 23-1/2" or more, front to back. Stainless CleanDesign and Gas on glass cooktops require 23-5/8" flat surface area. In addition, other clearances to the front edge of the countertop must be considered.

Note: Consult cabinet and countertop manufacturer's specs for flush mount installation prior to install.

Counter Installation Dimensions (in inches)



Stainless Steel Cooktop Dimensions (in inches)

Model	Overall			Cutout			To Edge of Front Counter (Min.)
	W	D	H	E	F	G	
JP969SH	36-1/8	21	3-1/4*	33-7/8	19-1/8	2-1/2	
JP961SH	36-1/8	21	3-1/4*	33-7/8	19-1/8	2-1/2	
JP960SC	36-1/8	21	3-1/4*	33-7/8	19-1/8	2-1/2	
JP939SH	29-7/8	21-1/2	3-1/4*	28-1/2	19-5/8	2-1/2	
JP931SH	29-7/8	21-1/2	3-1/4*	28-1/2	19-5/8	2-1/2	
JP930SC	29-7/8	21-1/2	3-1/4*	28-1/2	19-5/8	2-1/2	
JP350SC	29-7/8	21-1/2	3-1/4*	28-1/2	19-5/8	2-1/2	

*Depth of unit at conduit connection location (rear) is 6-1/4" on models JP969/939 and 4-5/8" on models JP961/960/931/930/350.

Built-In CleanDesign Cooktops

Requires a 5" free area between the bottom of the cooktop to any combustible material, i.e., shelving. Free area not required when installing wall oven underneath cooktop. Refer to installation instructions. Units are furnished with a 48" flexible armored cable.

36" Ribbon Cooktops (excluding JP960) are approved for use over GE 30" Single Wall Ovens and Warming Drawers. 30" Ribbon Cooktops are approved for use over GE 30" and 27" Single Wall Ovens and Warming Drawers. Refer to cooktop and wall oven installation instructions packed with product for current dimensional data.

Filler Trim Kit

When replacing an old GE 30" cooktop (with larger opening) with Models JP939/931/930/350/340, use the following one-piece trim kit to fill in the over-size hole. Available at additional cost.

JXTR31W (True White)
JXTR31C (True Bisque)
JXTR31B (Black—use with black glass cooktops with a white, bisque or black pattern)

Flush Mount Installation Kit

Accommodates both 30" and 36" installations. Not for use with stainless steel models.

JXFLMTW (True White)
JXFLMCC (True Bisque)
JXFLMBB (Black—use with black glass cooktops with a white, bisque or black pattern)

Installation Information:

Before installing, consult installation instructions packed with product for current dimensional data.

Built-In Electric Cooktops

GE®				
	JP626WF JP626CF JP626BJ	JP328SF JP328WF JP328CF JP328BF	JP201CB	JP202D
Features				
Cooktop surface	Porcelain-Enameled	Stainless Steel Porcelain-Enameled Porcelain-Enameled Porcelain-Enameled	Stainless Steel	Porcelain-Enameled
Lift-up cooktop with support rod	●	●		
8" heating elements	2 Plug-In	2 Plug-In	1 Plug-In	1 Plug-In
6" heating elements	2 Plug-In	2 Plug-In	1 Plug-In	1 Plug-In
One-piece removable chrome drip bowls	●	●	●	●
Infinite heat rotary controls	●	●	●	●
Control panel location	Upfront	Upfront	Upfront	Upfront
Control panel	White Glass Bisque Glass Black Glass	Black Glass White Glass Bisque Glass Black Glass		
Surface element "ON" indicator light	●	●	●	●
Appearance				
Color appearance*	WW CC BB	SS WW CC BB	SS	WW
Weights & Dimensions				
Cooktop width (in inches)	35-1/2	30-1/4	21-1/4	21-1/4
Approx. shipping weight (lbs.)	38	36	18	18
Power/Ratings				
KW rating @ 240V	7.4	7.4	3.4	3.4
208V	5.6	5.6	2.5	2.5
Amps @ 240V	40	40	20	20
208V	30	30	20	20

*SS = Stainless Steel, WW = White on white, CC = Bisque on bisque, BB = Black on black.

Built-In Electric Cooktops

Required free area between the bottom of the cooktop and any combustible material, i.e., shelving is 5" minimum on models JP626/328 and 1-1/2" minimum on models JP201/202. Free area not required when installing wall oven underneath. Requires an 18" minimum from cooktop to adjacent overhead cabinets. Units are furnished with a 48" flexible armored cable.

Cooktop model JP328 is approved for use over select GE 27" or 30" Single Wall Ovens. JP626 is approved for use over GE 30" Single Wall Ovens only. Refer to cooktop and wall oven installation instructions packed with product for current dimensional data.

Cooktop models JP201CB and JP202D are approved for use over GE undersink dishwasher model GSM2100. Refer to cooktop installation instructions packed with product for current dimensional data.

Note: JP626 may be installed with a GE Profile Telescopic Downdraft System, consult both cooktop and downdraft installation instructions packed with product before installing. Cooktop gas/electric supply may need to be re-routed to install downdraft.

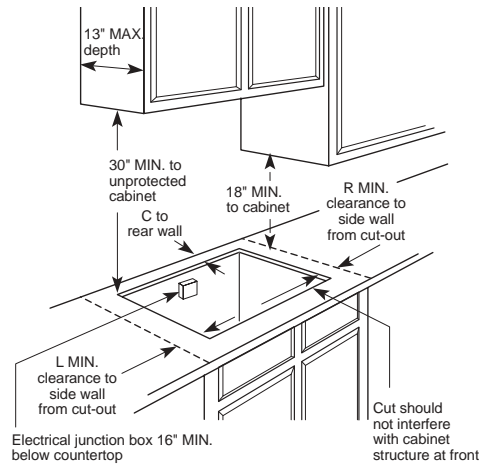
Note: The countertop must be at least 26" deep with a flat surface area of 23-1/2" or more, front to back. In addition, other clearances to the front edge of the countertop must be considered.

Filler Trim Kit—When replacing an old GE 30" cooktop (with larger opening) with Models JP328WF, JP328CF, JP328BF, JP328SF, use the following one-piece trim kits to fill in the over-size hole. Available at additional cost.
 JXTR31W (White)
 JXTR31C (Bisque)
 JXTR31B (Black)

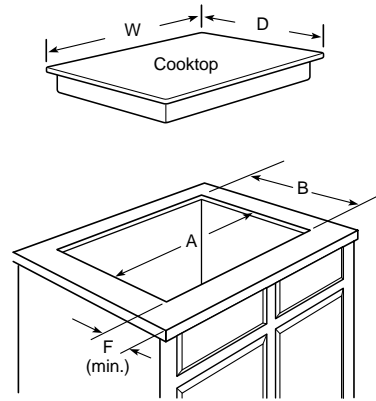
Installation Information:

Before installing, consult installation instructions packed with product for current dimensional data.

Counter Installation Dimensions (in inches)



Built-In Cooktop Dimensions (in inches)



Dimensions (in inches)

Model	Overall		Cutout		Minimum Spacing To Nearest Combustible Wall			To Edge of Front Counter (Min.)
	W	D	A	B	C	R	L	F
JP626	35-1/2	21	33-7/8	19-1/8	2-1/2	3-3/4	3-3/4	2-1/2
JP328	30-1/4	21-1/4	28-1/2	19-1/2	1-3/4	2	5-1/2	2-1/2
JP202	21-1/4	16-5/8	20-1/8	16-1/8	2	2	2	2-3/4
JP201	21-1/4	16-5/8	20-1/8	16-1/8	2	2	2	2-3/4

Built-In Electric Downdraft Cooktops

	GE Profile™		
	JP989SD	JP989TD JP989KD	JP989BD
Features			
Downdraft exhaust (CFM)	400	400	400
Three-speed downdraft vent fan	●	●	●
Ceramic-glass surface	Black	True White True Bisque	Black
Number of elements	4	4	4
Dual 6/9" heating elements	1 Ribbon (2500W)	1 Ribbon (2500W)	1 Ribbon (2500W)
7" heating elements	2 Ribbon (1800W)	2 Ribbon (1800W)	2 Ribbon (1800W)
Bridge element	1 Ribbon (800W)	1 Ribbon (800W)	1 Ribbon (800W)
Total wattage	4400W	4400W	4400W
6" heating elements	1 Ribbon (1500W)	1 Ribbon (1500W)	1 Ribbon (1500W)
Infinite heat controls	●	●	●
Hot surface indicator lights	4	4	4
Heating element "ON" indicator light	●	●	●
Appearance			
Color appearance*	SS	WW CC	BB
Frameless	●	●	●
Weights & Dimensions			
Cooktop width (in inches)	30	30	30
Overall dimensions (WxD in inches)	← 29-7/8 x 21-7/8 →		
Approx. shipping weight (lbs.)	72	72	72
Power/Ratings			
KW Rating @ 240V	8.8	8.8	8.8
208V	6.7	6.7	6.7
Amps @ 240V	40	40	40
208V	40	40	40

*SS = Stainless steel, WW = White on white, CC = Bisque on bisque, BB = Black on black.

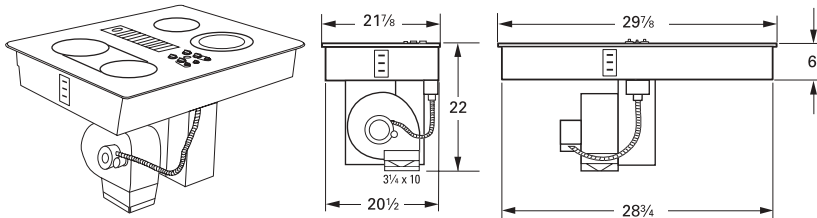
Built-In Gas Downdraft Cooktops

	GE Profile		
	JGP989TC	JGP989KC	JGP989BC
Features			
Cooktop burners	Sealed	Sealed	Sealed
Electronic pilotless ignition	●	●	●
Ceramic-glass surface	True White	True Bisque	Black
Burner grates	2	2	2
Downdraft exhaust (CFM)	400	400	400
Appearance			
Color appearance*	WW	CC	BB
Frameless	●	●	●
Weights & Dimensions			
Cooktop width (in inches)	30	30	30
Overall dimensions (WxD in inches)	← 29-7/8 x 21-7/8 →		
Approx. shipping weight (lbs.)	90	90	90
Power/Ratings			
Gas cooktop electrical rating	120V	120V	120V
Burners (000's/BTU's)**	(2) 9.1/8.5	(2) 9.1/8.5	(2) 9.1/8.5
Natural Gas/LP Gas	(1) 11.5/11.0 (1) 5.5/5.5	(1) 11.5/11.0 (1) 5.5/5.5	(1) 11.5/11.0 (1) 5.5/5.5

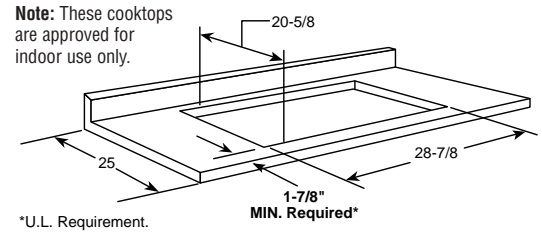
*WW = White on white, CC = Bisque on bisque, BB = Black on black.

**A set of LP orifices is included with each cooktop for LP conversion. Factory set for natural gas.

Built-In Electric and Gas Downdraft Cooktops Dimensions (in inches)



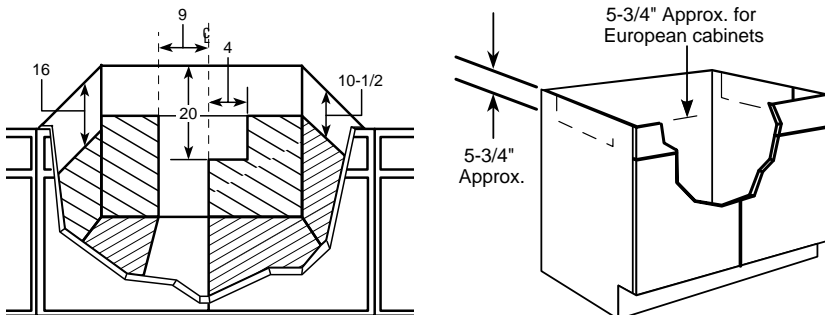
Built-In Electric and Gas Cutout Dimensions (in inches)



*U.L. Requirement.

Note: A 5" minimum spacing to adjacent side wall is required on JGP989. A 6" minimum spacing to adjacent side wall is required on JP989.

Built-In Electric and Gas Cabinet Dimensions (in inches)



Receptacle Location

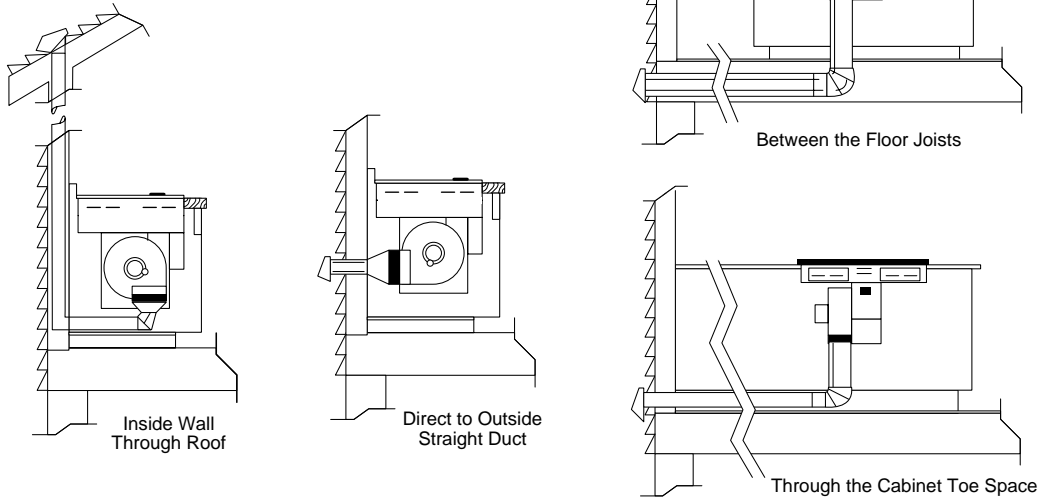
Install an approved junction box within shaded area shown in diagram. Junction box must be at least 10-1/2" below top of cabinet.

Preparing the Cabinet for Installation

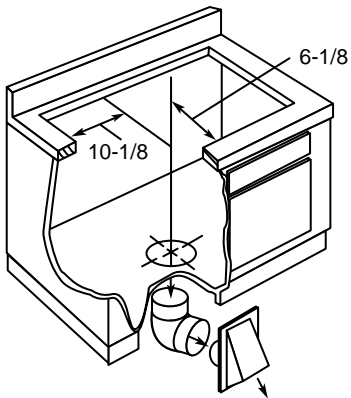
In some cabinets, the sides may need to be scooped or cut down 5-3/4" as shown (right) and the corner braces removed in order to accommodate the cooktop.

Built-In Electric and Gas Downdraft Cooktops (continued)

Built-In Electric and Gas Downdraft Cooktop Venting Options



Built-In Electric and Gas Downward Venting (in inches)



Wall Installation

Wall installations require 25" countertop depth. When cabinet is flush against the wall, the fan housing can be rotated to the horizontal position for direct venting through rear wall. Make a countertop cutout in the range cabinet according to unit dimensions and installation type. Duct hole is positioned in back of cabinet for through-the-wall ducting. Requires special offset adapter JXRW89.

Peninsula or Island Installation

For peninsula/islands a minimum 26" countertop depth is suggested. Blower should be in vertical position. Island or peninsula cabinets may require adjustment in cutout depth and/or location within the width dimensions. Duct hole is positioned in bottom of cabinet for island or peninsula installation.

Slab Installation

For peninsula or island installation and rear wall ducting, **6" PVC duct or locally approved piping should be used if installing under a poured concrete slab.**

Note: Electrical cable is not supplied with unit

JXRW89 Rear Wall Installation Kit

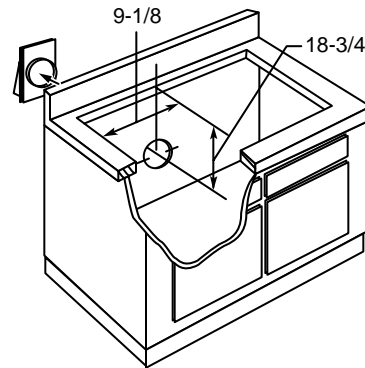
Optional accessories may be ordered for installation on rear wall.

JXCK89 Electrical Connection Kit

Optional accessory kit for JP989 electric downdraft cooktop only, includes junction box and conduit.

Installation Information: Before installing, consult installation instructions packed with product for current dimensional data.

Built-In Electric and Gas Rear Wall Venting (in inches)



Installing the Ductwork

Use galvanized or aluminum duct in 6" round or 3-1/4" x 10" size, or combination of both. **PVC duct or locally approved piping should be used if installing under a poured concrete slab.** Local building code must be followed in specifying type and schedule of all duct used.

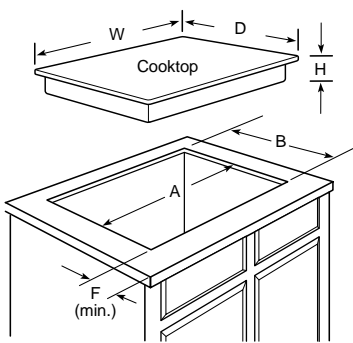
Note: Ductwork must be vented to outside. Do not vent into a wall, ceiling, crawl space, attic or any concealed space. Always use an appropriate roof or wall cap with damper. **Laundry-type wall caps should never be used.** For maximum efficiency use the shortest and straightest duct run possible, with as few fittings as possible. For satisfactory performance the duct run should not exceed 100 feet equivalent length. Refer to the table of equivalent lengths (shown in installation instructions) for various duct configurations.

Built-In Gas Cooktops

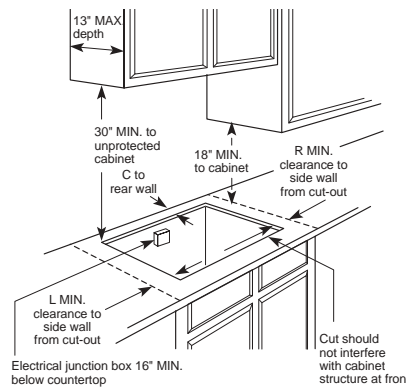
Features	GE Profile™				GE®				
	JGP963SEJ JGP963WEJ JGP963CEJ JGP963BEJ	JGP962SEC JGP962TEC JGP962KED JGP962BEC	JGP933SEJ JGP933WEJ JGP933CEJ JGP933BEJ	JGP932SEC JGP932TEC JGP932KED JGP932BEC	JGP637SEJ JGP637WEJ JGP637CEJ JGP637BEJ	JGP337SEJ JGP337WEJ JGP337CEJ JGP337BEJ	JGP628SEJ JGP628WEJ JGP628CEJ JGP628BEJ	JGP328SEJ JGP328WEJ JGP328CEJ JGP328BEJ	JGP321EJ
	Cooktop burners	5 Sealed	5 Sealed	4 Sealed	4 Sealed	5 Sealed	4 Sealed	4 Sealed	4 Sealed
Power Boil burner	●	●	●	●					
High Output burner					●	●			
Precise Simmer burner(s)	2	2	●	●	2		●	●	
Electronic pilotless ignition	●	●	●	●	●	●	●	●	●
Cooktop surface	Stainless Porcelain	Ceramic-Glass	Stainless Porcelain	Ceramic-Glass	Tempered Glass	Tempered Glass	Stainless Porcelain	Stainless Porcelain	Porcelain-Enameled
Cooktop grates	Continuous Deluxe Cast	Continuous Deluxe Cast	Continuous Deluxe Cast	Continuous Deluxe Cast	Deluxe Cast	Deluxe Cast	Continuous	Continuous	Standard Steel
Dishwasher-safe grates	●	●	●	●	●	●	●	●	
One-piece drip pans					Porc.-Enam.	Porc.-Enam.			Chrome
Control panel	Stainless White Bisque Black	Stainless True White True Bisque Black	Stainless White Bisque Black	Stainless True White True Bisque Black	Black White Bisque Black	Black White Bisque Black	Stainless White Bisque Black	Stainless White Bisque Black	White/Black
Controls	Upfront	Upfront	Right Side	Right Side	Upfront	Right Side	Upfront	Right Side	Right Side
Appearance									
Color appearance*	SS WW CC BB	SS WW CC BB	SS WW CC BB	SS WW CC BB	SS WW CC BB	SS WW CC BB	SS WW CC BB	SS WW CC BB	WH/BL
Weight & Dimensions									
Cooktop width (in inches)	36	36	30	30	36	30	36	30	30
Approx. shipping weight (lbs.)	55	59	45	52	38	30	51	44	35
Power/Ratings									
Gas cooktop electrical rating	120V, 60Hz, 5A								
Burners	(1) 15.0/14.0 (1) 11.0/10.0 (1) 9.1/8.1 (2) 6.0/6.0	(1) 15.0/14.0 (1) 11.0/10.0 (1) 9.1/8.1 (2) 6.0/6.0	(1) 15.0/14.0 (1) 11.0/10.0 (1) 9.1/8.1 (1) 6.0/6.0	(1) 15.0/14.0 (1) 11.0/10.0 (1) 9.1/8.1 (1) 6.0/6.0	(1) 12.0/10.0 (2) 9.5/8.5 (2) 5.0/5.0	(1) 12.0/10.0 (2) 9.5/8.5 (1) 5.0/5.0	(3) 9.1/8.1 (1) 6.0/6.0	(3) 9.1/8.1 (1) 6.0/6.0	(4) 9.1/8.0

*SS = Stainless Steel, WW = White on white, CC = Bisque on bisque, BB = Black on black, WH = White, BL = Black.
 †A set of LP orifices is included with each cooktop for LP conversion. Factory set for natural gas.

Cooktop Dimensions (in inches)



Counter Installation Dimensions (in inches)



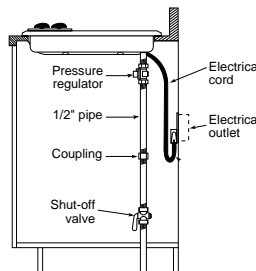
Installation Information: Before installing, consult installation instructions packed with product for current dimensional data.

Dimensions (in inches)

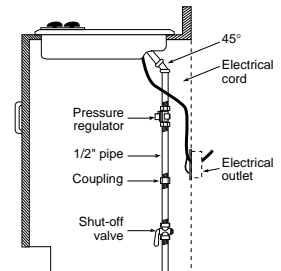
Model	Overall			Cutout		Minimum Spacing To Nearest Combustible Wall			To Edge of Front Counter
	W	D	H	A	B	C	L	R	F
JGP963	36	21	3-3/16	33-7/8	19-1/8	2-1/4	3-3/4	6	2-1/2
JGP933	30	21	3-3/16	28-1/2	19-5/8	2-1/4	3-3/4	6	2-1/2
JGP962	36	20-7/16	3-1/16	33-7/8	19-1/8	2-1/4	3-3/4	6	2-1/2
JGP932	29-3/4	21	3-3/16	28-1/2	19-5/8	2-1/4	3-3/4	6	2-1/2
JGP637	36	21	3-1/16	33-7/8	19-1/8	2-1/4	3-3/4	3-3/4	2-1/2
JGP628	36	21	3-3/16	33-7/8	19-1/8	2-1/4	3-3/4	3-3/4	2-1/2
JGP337	30	21	3	28-1/2	19-5/8	2-1/4	3-3/4	3-3/4	2-1/2
JGP328	30	21	3-3/16	28-1/2	19-5/8	2-1/4	3-3/4	3-3/4	2-1/2
JGP321	30-1/4	21-1/4	3-9/16	28-1/2	19-5/8	1-3/4	3	3	3-1/4

*Allow 5-3/4" depth at rear for electrical and gas connections.

Gas Connection Models JGP963/962/637/628/337/321



Gas Connection Models JGP933/932/328



Note: All gas cooktop models require 7/16" free area below cooktop height to combustible material. 0" clearance is required between left and right sides of cooktop below countertop. Requires 18" minimum from countertop to adjacent overhead cabinets.*
 *AGA requirement.

Note: If installing with a GE Profile Telescopic Downdraft System, consult both cooktop and downdraft installation instructions packed with product before installing. Cooktop gas/electric supply may need to be re-routed to install downdraft.

Installation With Single Wall Oven Information:

30" Gas Cooktops are approved for use over GE 27" Wall Ovens and warming drawers. 36" and 30" Gas Cooktops are approved for use over 30" Wall Ovens and warming drawers. Refer to cooktop and wall oven installation instructions packed with product for current dimensional data.

Optional Gas Range Wok Accessory (Available at additional cost)

JXWK = Wok accessory holder sits on top of maximum burner grate to hold a **round-bottom** wok. For use with JGP637/337 models only.

JXWK2 = Wok accessory holder sits on top of maximum burner grate to hold a **round-bottom** wok. For use with JGP963/933/962/932 models only.

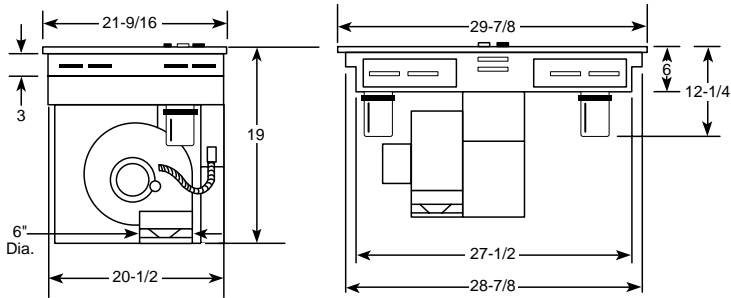
Select-Top™ Modular Downdraft Cooktops

GE®	
Dual Modular	
JP389WD JP389BD	
Features	
Configuration	Dual Modular
Cooktop finish	White Porc.-Enam. Black Porc.-Enam.
Infinite heat controls	Rotary
Heating element "ON" indicator light	●
Downdraft exhaust (CFM)	400
Single-speed downdraft vent fan	
Three-speed downdraft vent fan	●
Appearance	
Color appearance*	WW BB
Weights & Dimensions	
Cooktop width (in inches)	30
Approx. shipping weight (lbs.)	72
Power/Ratings	
Amps @ 240V	40
KW rating @ 240V	8.0
Accessories	
Ribbon heating elements (one 8" and one 6")	JXDR50VW JXDR50VB
Coil heating elements (one 6", one 8" element with removable one-piece bowls)	JXDC44RWH JXDC43RBL
Grill Module†	JXDL44N
Griddle Accessory	JXDD44R
Grill Cover	JXDM3 JXDM2

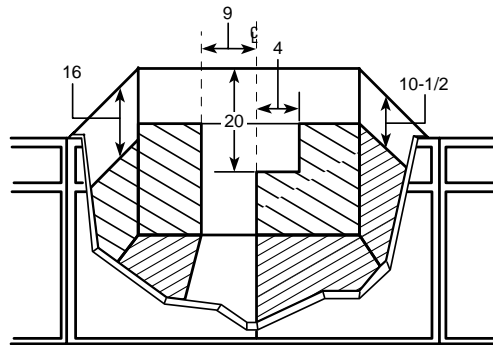
*WW = White on white, BB = Black on black.

†Grill Module includes coil heating element, one-piece grill grate, and porcelain reflector pan.

Built-In Downdraft Cooktops Dimensions (in inches)



Cabinet Dimensions (in inches)



Receptacle Location

Install an approved junction box within shaded area shown in diagram. Junction box must be at least 10-1/2" below top of cabinet.

Cooktop Options

GE lets you customize your cooktop with flexible modules to suit your taste. These optional versatile modules—*Grill, Coil, Ribbon, Griddle Opening Accessory and Grill Cover*—are available at additional cost. Simply plug the modules you want into either side of the cooktop (single modular cooktops accept modules on left side only) and unplug them for easy cleaning and storage.

Grill Module, JXDL44N

Includes front/rear controlled heating element, one-piece grill grate, and porcelain-enameled reflector pan.

Griddle Accessory, JXDD44R (Use with optional Grill Module.)

Place over heating element and reflector pan from optional grill module. Griddle accessory has a non-stick coating and is self-draining.

Ribbon Modules

Patterned glass top with one 8" and one 6" ribbon heating element
JXDR50VW—White on white, JXDR50VB—Black on black

Coil Modules

One 8" and one 6" plug-in heating element with one-piece bowls
JXDC43RBL—Black porcelain-enameled, JXDC44RWH—White porcelain-enameled

JXCK89 Electrical Connection Kit

Optional accessory kit for JP389 downdraft cooktop only, includes junction box and conduit.

Wall Installation

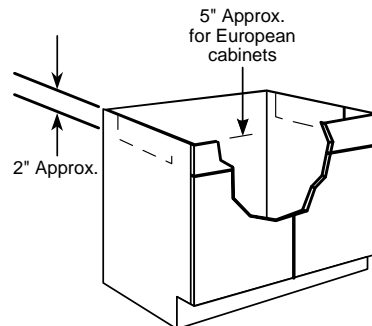
Wall installations require 25" countertop depth. When cabinet is flush against the wall, the fan housing can be rotated to the horizontal position for direct venting through rear wall. Make a countertop cutout that is centered in the range cabinet according to unit dimensions and installation type. Duct hole is positioned in back of cabinet for through-the-wall ducting.

Peninsula or Island Installation

For peninsula/islands a minimum 26" countertop depth is suggested. Blower should be in vertical position. Island or peninsula cabinets may require adjustment in cutout depth and/or location within the width dimensions. Duct hole is positioned in bottom of cabinet for island or peninsula installation.

Slab Installation

For peninsula or island installation and rear wall ducting, **PVC duct or locally approved piping should be used if installing under a poured concrete slab.**

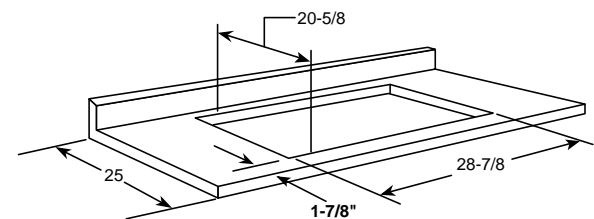


Preparing the Cabinet for Installation

In some cabinets, the sides may need to be scooped or cut down 2" as shown and the corner braces removed in order to accommodate the cooktop.

Cutout Dimensions (in inches)

Note: These cooktops are U.L. approved for indoor use only.

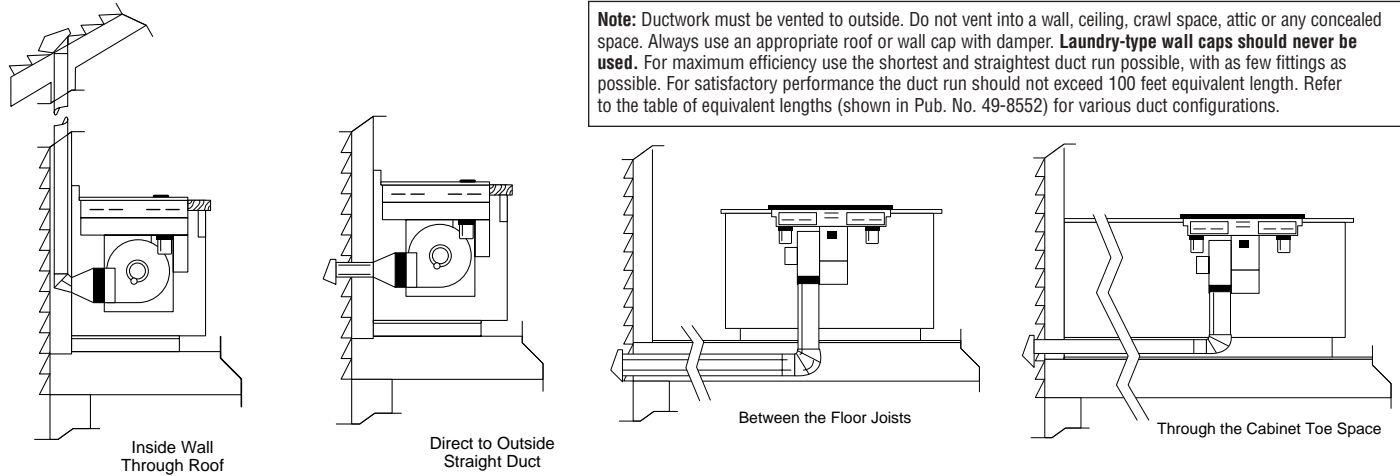


*U.L. Requirement.

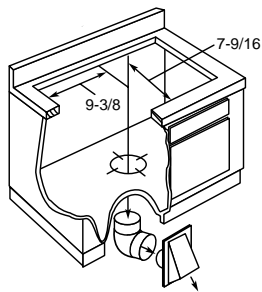
Note: A 6" minimum spacing to adjacent side wall is required

Installation Information: Before installing, consult installation instructions packed with product for current dimensional data.

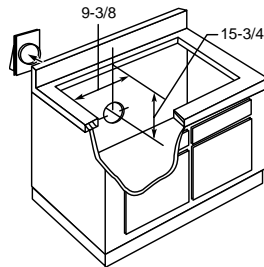
Venting Options



Downward Venting (in inches)



Rear Wall Venting (in inches)



Installing the Ductwork

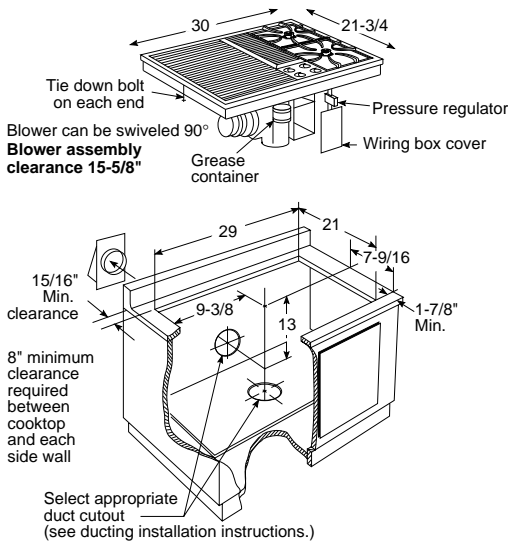
Use minimum 26-gauge galvanized or 24-gauge aluminum duct in 6" round or 3-1/4" x 10" size, or combination of both. **PVC duct or locally approved piping should be used if installing under a poured concrete slab.**

Built-In Downdraft Gas Modular Cooktops

	GE Profile™
	JGP979SEF JGP979WEF JGP979BEF
Features	
Configuration	Single modular
Cooktop surface	Stainless steel Porcelain Porcelain
Cooktop grates	Black porcelain-coated cast iron
Accepts modules	Left side
Gas cooktop burner module (right side)	2 Sealed
Electronic pilotless ignition	●
Downdraft vent fan	●
Downdraft exhaust (CFM)	375
Appearance	
Color appearance	Stainless steel White on white Black on black
Upfront controls	●
Weight & Dimensions	
Cooktop width (in inches)	30
Overall dimensions (W x D in inches)	30 x 21-3/4
Approx. shipping weight (lbs.)	76
Power/Ratings	
Gas cooktop electrical rating	120V, 60Hz, 15A
BTU's (000's)	Right side (burners) 10.0
Natural gas*	Grill Unit 8.0

*JGP979 cooktop is factory set for natural gas. It is not LP convertible.
Note: Shipped with sealed gas burner module, right side. Left side accepts optional modules that must be ordered and are available at additional cost.

Installation Information (in inches)



Optional Modules (Available at additional cost)

- Two-Burner Gas Module (sealed burners)—
- JXGB79W—White on white
- JXGB79B—Black on black
- Gas Grill Module—JXGG79
- Griddle—JXGL79
- (use with optional Grill module)
- Grill Cover—
- JXGC89W—White on white
- JXGC89B—Black on black

Grill and griddle feature Excalibur® non-stick finish.

Installation Information: Before installing, consult installation instructions packed with product for current dimensional data.



30" Slide-In Electric Ranges

	GE Profile™		GE®		
	J968SF J968TF J968KF J968BF	J47SH J47WF J47CF J47BF	J34WD J34CD J34BD	J26BD	J26BD J16PD
Features					
Self-clean oven w/Delay Clean option	●	●	●	●	Standard Clean
Light self-clean option	●	●			
Variable cleaning time	●	●	●	●	
Automatic self-clean oven door lock	●	●	●	●	
Oven racks	3 Heavy-Duty	2	2	2	2
CleanDesign oven interior/hidden bake	●				
TrueTemp™ system	●	●			
Variable broil/Six-pass broil element	●	●			
	Patterned Black True White True Bisque Patterned Black	Patterned Black Patterned White Patterned Bisque Patterned Black			
Ceramic-glass cooktop					
Overhanging cooktop	●	●	●	●	●
Dual 6"/9" heating element	1 Ribbon (2500W)	1 Ribbon (2500W)			
8" heating elements		2 Ribbon (2000W)	2 Plug-In	2 Plug-In	2 Plug-In
7" heating elements	2 Ribbon (1800W)				
Bridge element	1 Ribbon (800W)				
Total wattage	4400W				
6" heating element	1 Ribbon (1500W)	1 Ribbon (1500W)	2 Plug-In	2 Plug-In	2 Plug-In
Warming zone	1 Ribbon (120W)				
Infinite heat controls	●	●	●	●	●
Precise Air™ convection system	●				
Convection bake	Multi/Single-rack				
Convection roast	●				
Auto Recipe™ conversion	●				
SmartSet controls	Glass touch	●	●	●	
Proof mode	●				
Warm mode	●				
Oven meat probe	●				
Optional closed door broiling	●	●	●	●	●
Temperature display	●	●	●	●	
Start pad	●	●	●	●	
Delay Bake option w/Cook & Hold	●	●	●	●	
C° or F° programmable	●	●	●	●	
Audible preheat signal	●	●	●	●	
Auto oven shut-off w/override	●	●	●	●	
Control lock capability	●	●	●	●	
Electronic clock/kitchen timer	●	●	●	●	●
Hot surface indicator lights	4	4			
Heating element "ON" indicator light	●	●	●	●	●
Certified Sabbath mode		●			
Interior oven light	Halogen	●	●	●	●
	Stainless White Bisque Black	Stainless White Bisque Black	White Bisque Black	CM*	Black CM*
Storage drawer					
Broiler pan with grid	●	●	●	●	●
Roasting rack	●				
Convection cookbook	●				
Appearance					
Color appearance*	SS WW CC BB	SS WW CC BB	WW CC BB	WH/CT	BB WH/CT
Frameless glass oven door*	Stainless White Bisque Black	Stainless White Bisque Black	White Bisque Black	CM*	Black Painted
Oven door with window	Big ClearView™	Big ClearView™	●	●	●
Oven door handle	Sculptured Stainless-look Sculptured White Sculptured Bisque Sculptured Black	Sculptured Stainless-look Sculptured White Sculptured Bisque Sculptured Black	White Bisque Black	White/Bisque	Black Painted
Weights & Dimensions					
Overall oven interior dimensions (WxHxD in inches)	24 x 16-1/4 x 18-1/8	24 x 17-1/2 x 18-1/4	22-3/4 x 15-3/4 x 17	22-3/4 x 15-3/4 x 17	22-3/4 x 15-3/4 x 17
Approx. shipping weight (lbs.)	248	237	175	175	160
Power/Ratings					
KW rating @ 240V	12.1	11.6	10.8	10.8	10.8
208V	9.1	8.7	8.1	8.1	8.1
Amps @ 240V	40	40	40	40	40
208V	40	40	40	40	40
Convection Wattage	2500				
Broiler/Bake Wattage	3600/2700	3600/3400	3400/2585	3400/2585	3400/2585

*SS = Stainless steel with black accents, WW = White with white glass door, CC = Bisque with bisque glass door, BB = Black with black glass door, WH = White with black glass door, CT = Bisque with black glass door, CM = Color-Matched indicates color of drawer matches range cooktop (either white or bisque)

Note: Cabinets installed adjacent to slide-in electric ranges must have an adhesion spec of at least a 194°F temperature rating.

Note: To reduce possibility of scorching the side walls above the countertop when no load is present on burners, it is recommended that a minimum 6" spacing from adjacent side wall be allowed for possible extended high-heat element operation.

Note: Door handle protrudes 2-3/4" from door face. Cabinets and drawers on adjacent 45° and 90° walls should be placed to avoid interference with the handle.

Receptacle Locations: For all 30" Slide-In Ranges locally approved flexible service cord or conduit must be used because terminals are not accessible after range installation. See shaded area in drawing for location of electrical outlet box. Recommended outlet locations allow range to be installed directly against rear wall.

Installation Information: Before installing, consult installation instructions packed with product for current dimensional data.



All GE ranges are equipped with an Anti-Tip device. The installation of this device is an important, required step in the installation of the range.



Listed by Underwriters Laboratories

30" Slide-In Gas Ranges

Features	GE Profile™			GE®	
	Dual-Fuel	Gas	Gas	Gas	Gas
	J2S968SH J2S968TH J2S968KH J2S968BH	JGS968SH JGS968TH JGS968KH JGS968BH	JGSP48SH JGSP48WH JGSP48CH JGSP48BH	JGSP23WEY JGSP23CEY JGSP23BEY	JGSS05BEH
Self-clean oven w/Delay Clean option	●	●	●	●	Standard-Clean
Light self-clean option	●	●	●	●	
Variable cleaning time	●	●	●	●	
Automatic self-clean oven door lock	●	●	●	●	
Oven racks	3 Heavy-Duty	3 Heavy-Duty	2 Heavy-Duty	2	
CleanDesign oven interior/hidden bake	●	●	●	●	
TrueTemp™ system	●	●	●	●	
Cooktop	Black Glass True White Glass True Bisque Glass Black Glass	Black Glass True White Glass True Bisque Glass Black Glass	Black Glass Patterned White Glass Patterned Bisque Glass Black Glass	White Porc. Enamel Black Porc. Enamel	Black Porcelain Enamel
Overhanging cooktop	●	●	●	●	
Cooktop burners	Sealed	Sealed	Sealed	Sealed	
Power Boil™ Burner	(1) 15,000 BTU/ 180° Simmer	(1) 15,000 BTU/ 180° Simmer			
High Output burner (Nat.)	(1) 11,000 BTU/ 150° Simmer	(1) 11,000 BTU/ 150° Simmer	(2) 11,000 BTU/ 150° Simmer		
Precise Simmer burner (Nat.)	(1) 6,000 BTU/ 140° Simmer	(1) 6,000 BTU/ 140° Simmer	(1) 6,000 BTU/ 140° Simmer		
All-purpose burners (Nat.)	(1) 9,100 BTU/ 150° Simmer	(1) 9,100 BTU/ 150° Simmer	(1) 9,100 BTU/ 150° Simmer		
Cooktop grates	Matte Black Hvy-Cast Grey Hvy-Cast Taupe Hvy-Cast Shiny Black Hvy-Cast	Matte Black Hvy-Cast Grey Hvy-Cast Taupe Hvy-Cast Shiny Black Hvy-Cast	Matte Black Hvy-Cast Grey Taupe Shiny Black	Grey Standard Cast Black Standard Cast	Black Standard Porcelain Steel
Continuous grates	●	●	●		
One-piece drip pans				Porc.-Enameled	
Ignition system	Electronic	Electronic	Electronic	Electronic	Electronic
Infinite heat controls	●	●	●	●	
Precise Air™ convection system	●	●	●	●	
Convection bake	Single-/Multi-Rack	●	●	●	
Convection roast	●	●	●	●	
Auto Recipe™ conversion	●	●	●	●	
Electronic controls	Glass touch	Glass touch	●	●	
Proof mode	●	●	●	●	
Warm mode	●	●	●	●	
Oven Meat probe	●	●	●	●	
Optional closed door broiling	●	●	●	●	
Temperature display	●	●	●	●	
Delay Bake option	●	●	●	●	
C° or F° programmable	●	●	●	●	
Audible preheat signal	●	●	●	●	
Auto oven shut-off w/override	●	●	●	●	
Control lock capability	●	●	●	●	
Electronic clock/kitchen timer	●	●	●	●	
Certified Sabbath mode	●	●	●	●	
Interior oven light	Halogen	Halogen	●	●	●
Storage drawer	Stainless Steel White Bisque Black	Stainless Steel White Bisque Black	Stainless Steel White Bisque Black	White Bisque Black	
Slide-out broiler drawer					●
Broiler pan	●	●	●	●	●
Roasting rack	●	●	●	●	
Convection cookbook	●	●	●	●	
Appearance					
Color appearance	SS/WW/CC/BB	SS/WW/CC/BB	SS/WW/CC/BB	WW/CC/BB	BB
Frameless oven door	Stainless Steel White Glass Bisque Glass Black Glass	Stainless Steel White Glass Bisque Glass Black Glass	Stainless Steel White Glass Bisque Glass Black Glass	White Glass Bisque Glass Black Glass	Black Glass
Oven door with window	Big ClearView™	Big ClearView	Big ClearView	●	●
Sculptured oven door handle	●	●	●	●	
Weights & Dimensions					
Overall oven interior dimensions (WxHxD in inches)	24 x 16-1/4 x 18-1/4	24 x 16-1/4 x 18-1/4	24 x 16-1/4 x 18-1/4	22-3/4 x 13 x 17	24 x 17 x 19
Approx. shipping weight (lbs.)	257	248	238	201	165
Power/Ratings					
Top burners (000's BTU's) Nat/LP	(1) 15.0/13.0 (1) 11.0/9.1 (1) 6.0/6.0 (1) 9.1/8.0	(1) 15.0/13.0 (1) 11.0/9.1 (1) 6.0/6.0 (1) 9.1/8.0	(2) 11.0/9.1 (1) 6.0/6.0 (1) 9.1/8.0	(3) 9.5/7.0 (1) 5.0/4.0	(4) 9.0/8.0
Range electrical rating	240v/208v, 60Hz/40A	120v, 60Hz, 5A	120v, 60Hz, 5A	120v, 60Hz, 5A	120v, 60Hz, 5A
Convection Wattage	2,500				
Broiler/Bake Wattage/BTU	3,600/2,700 watts	12,000/15,000 BTU	12,000/15,000 BTU	16,000/16,000 BTU	16,000/16,000 BTU
LP conversion kit (included)	●	●	●	●	●

SS = Stainless steel with black accents, WW = White with white glass door, CC = Bisque with bisque glass door, BB = Black with black glass door
Factory set for Natural Gas. A set of LP orifices is included with each range for LP conversion.

Optional Kits for Slide-In Gas Ranges:
(Available at additional cost on all models except JGSS05)

Rear Filler Strip Kits

Model JGSP23 is shipped with required "vented" rear filler strip.

Lower/Side Trim Kits

JXS56BB—Lower Trim Kit (Black/Stainless)
JXS56WW—Lower Trim Kit (White)
JXS56CC—Lower Trim Kit (Bisque)

Accessory Backguards—Profile

(Attaches to the back of range as a backguard when unit is installed in 30" free-standing cutout)

JXS37WW—White

JXS37CC—Bisque

JXS37BB—Black/Stainless

Accessory Backguards—GE

JXS31—White

JXS34—Black

JXS35—Bisque

Endcap Kit

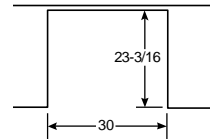
JXS40—Endcap kit to accommodate replacement where countertop may already be notched.

Optional Gas Range Wok Accessory

(Available at additional cost)
JXWK = Wok accessory holder sits on top of burner grate to hold a round-bottom wok—JGSP23
JXWK2—J2S968, JGS968, JGSP48

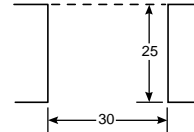
**Counter Cutout Dimensions (in inches)
Models J2S968, JGS968, JGSP48
and JGSP23**

If you are NOT using the optional Filler or Backguard:



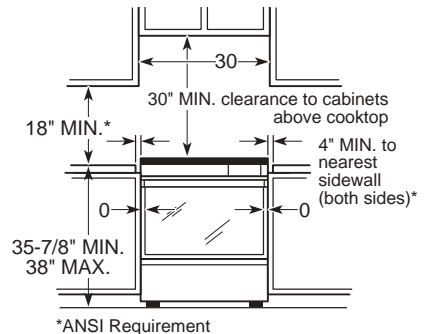
You must use the rear filler strip kit shipped with the range or the optional accessory backguard (JXS31, JXS34, JXS35, JXS37) when installing these ranges.

If you are using the optional Filler or Backguard:



Note: Cabinets installed adjacent to slide-in ranges must have an adhesion spec of at least a 194°F temperature rating.

Note: Door handle protrudes 2-3/4" from door face. Cabinets and drawers on adjacent 45° and 90° walls should be placed to avoid interference with the handle.



*JGSP23 and JGSS05 require 2" min. to nearest side wall.

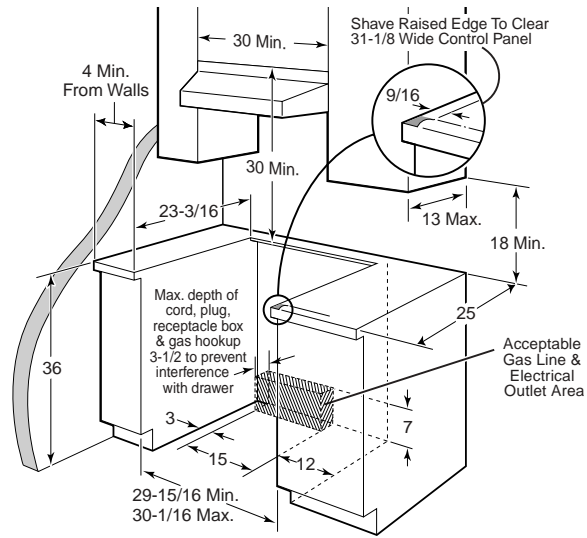
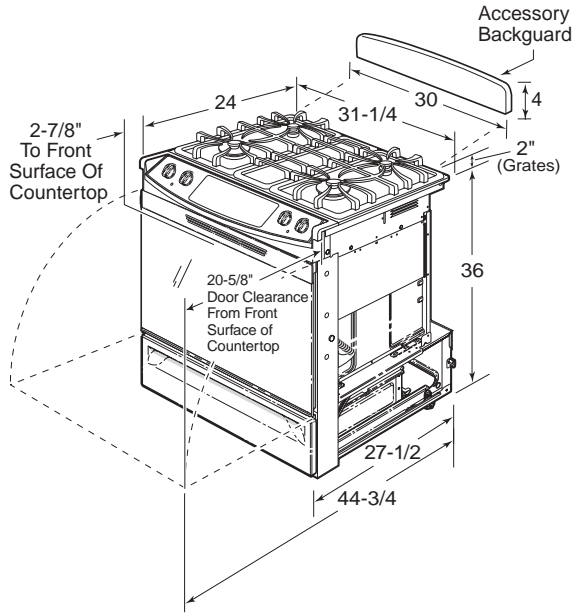


All GE ranges are equipped with an Anti-Tip device. The installation of this device is an important, required step in the installation of the range.

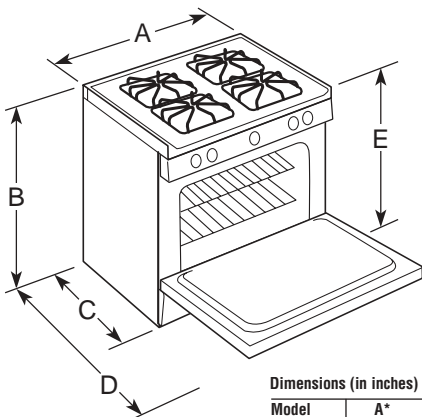


Listed by Underwriters Laboratories

**30" Slide-In Gas Ranges Dimensions (in inches)
Models J2S968, JGS968 and JGSP48**



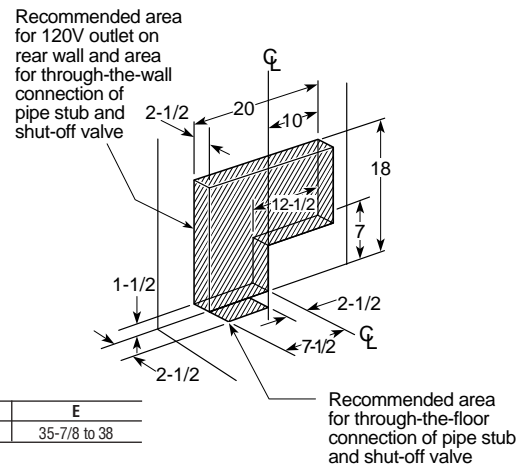
**30" Slide-In Gas Ranges Dimensions (in inches)
Model JGSP23**



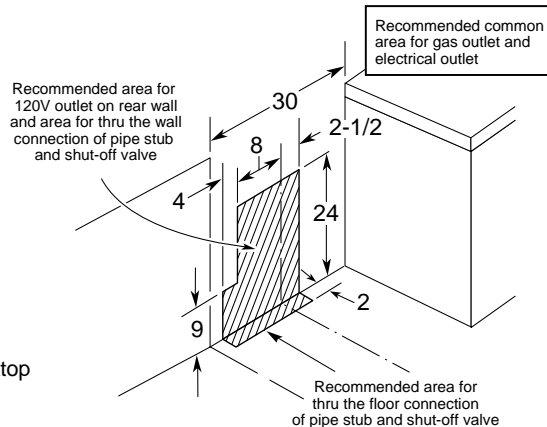
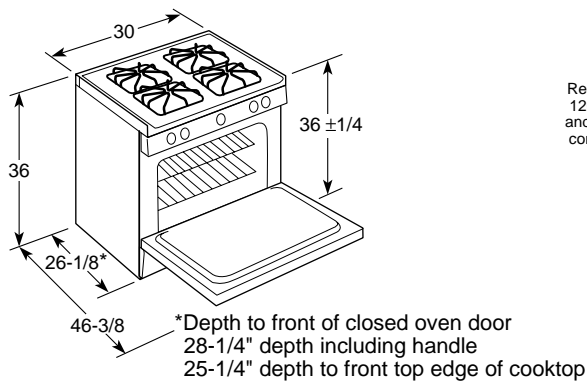
Dimensions (in inches)

Model	A*	B	C**	D	E
JGSP23	30	36-1/4	28-7/8	45-1/8	35-7/8 to 38

*Cooktop width including overhang 30-3/4".
**Depth including handle:
25-1/2"—Wall to front of closed oven door
26-1/4"—Depth to front top edge of control panel



**30" Slide-In Gas Range Dimensions (in inches)
Model JGSS05**



Installation Information: Before installing, consult installation instructions packed with product for current dimensional data.

30" Drop-In Electric Ranges

Features	GE Profile™		GE®		
	JD968SF JD968TF JD968KF JD968BF	JDP47WF JDP47CF JDP47BF	JDP39WW JDP39BW	JDP36BW JDP36BD	JDS26BW JDS26BD
Self-clean oven w/Delay Clean option	●	●	●	●	Standard-clean
Light self-clean option	●	●			
Variable cleaning time	●	●	●	●	
Automatic self-clean oven door lock	●	●	●	●	
Oven racks	3 Heavy-Duty	2	2	2	2
CleanDesign oven interior/hidden bake	●				
TrueTemp™ system	●	●			
Variable broil/Six-pass broil element	●	●			
Ceramic-glass cooktop	Patterned Black True White True Bisque Patterned Black	Patterned White Patterned Bisque Patterned Black			
Dual 6 7/9" heating element	1 Ribbon (2500W)	1 Ribbon (2500W)			
8" heating elements		2 Ribbon (2000W)	2 Plug-In	2 Plug-In	2 Plug-In
7" heating elements	2 Ribbon (1800W)				
Bridge element	1 Ribbon (800W)				
Total wattage	4400W				
6" heating element	1 Ribbon (1500W)	1 Ribbon (1500W)	2 Plug-In	2 Plug-In	2 Plug-In
Warming zone	1 Ribbon (120W)				
Infinite heat controls	●	●	●	●	●
Precise Air™ convection system	●				
Multi-rack convection bake	●				
Single rack convection bake	●				
Convection roast	●				
Auto Recipe™ conversion	●				
SmartSet controls	Glass Touch	●	●	●	●
Proof mode	●				
Warm mode	●				
Oven meat probe	●				
Temperature display	●	●	●	●	●
Delay Bake option	●	●	●	●	●
C° or F° programmable	●	●	●	●	●
Audible preheat signal	●	●	●	●	●
Auto oven shut-off w/override	●	●	●	●	●
Control lock capability	●	●	●	●	●
Electronic clock/kitchen timer	●	●	●	●	●
Hot surface indicator lights	4	4			
Heating element "ON" indicator light	●	●	●	●	●
Certified Sabbath mode	●	●			
Interior oven light	Halogen	●	●	●	●
Broiler pan with grid	●	●	●	●	●
Roasting rack	●				
Appearance					
Color appearance*	SS WW CC BB	WW CC BB	WW BB	WH CT	WH CT
Frameless glass oven door*	Stainless White Bisque Black	White Bisque Black	White Black	Black	Black
Oven door with window	Big ClearView™	Big ClearView	●	●	●
Oven door handle	Sculptured Stainless-look Sculptured White Sculptured Bisque Sculptured Black	Sculptured White Sculptured Bisque Sculptured Black	White Black	Black	Black
Convection cookbook	●				
Weights & Dimensions					
Overall oven interior dimensions (WxHxD in inches)	24 x 16-1/4 x 18-1/4	24 x 17-1/2 x 18-1/4	22-3/4 x 15-3/4 x 17	22-3/4 x 15-3/4 x 17	22-3/4 x 15-3/4 x 17
Approx. shipping weight (lbs.)	188	164	134	134	126
Power/Ratings					
KW rating @ 240V	12.1	11.6	11.6	11.6	11.6
208V	9.1	8.7	8.7	8.7	8.7
Amps @ 240V	40	40	40	40	40
208V	40	40	40	40	40
Convection Wattage	2500				
Broiler/Bake Wattage	3600/2700	3600/3400	3400/2585	3400/2585	3400/2585

**SS = Stainless steel with black accents, WW = White with white glass door, CC = Bisque with bisque glass door, BB = Black with black glass door, WH = White with black glass door, CT = Bisque with black glass door

Optional Kits For JD968/JDP47 Electric Ranges (Available at additional cost)

Maintop Filler (JD968/JDP47)

(Fills gap between cooktop and wall when unit is installed in 30" free-standing cutout)
 JXS66WW—White
 JXS66CC—Bisque
 JXS66BB—Black/Stainless

Accessory Backguards (JD968/JDP47)

(Attaches to the back of range as a backguard when unit is installed in 30" free-standing cutout)
 JXS37WW—White
 JXS37CC—Bisque
 JXS37BB—Black/Stainless

Note: Cabinets installed adjacent to drop-in electric ranges must have an adhesion spec of at least a 194°F temperature rating.

Note: Door handle protrudes 2-3/4" from door face. Cabinets and drawers on adjacent 45° and 90° walls should be placed to avoid interference with the handle.

Note: To reduce possibility of scorching the side walls above the countertop when no load is present on burners, it is recommended that a minimum 6" spacing from adjacent side wall be allowed for possible extended high-heat element operation.

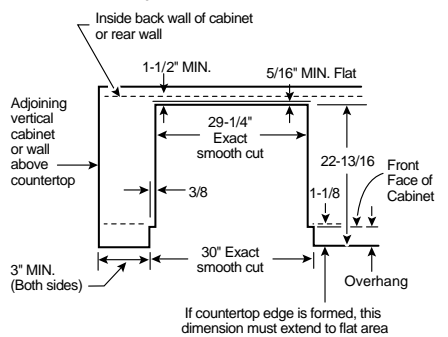
Installation Information: Before installing, consult installation instructions packed with product for current dimensional data.

IMPORTANT: 30" DROP-IN RANGES ARE DESIGNED TO HANG FROM THE COUNTERTOP. THEY DO NOT REST ON THE FLOOR. FOR INSTALLATION ALTERNATIVES, REFER TO INSTALLATION INSTRUCTIONS PACKED WITH PRODUCT.



All GE ranges are equipped with an Anti-Tip device. The installation of this device is an important, required step in the installation of the range.

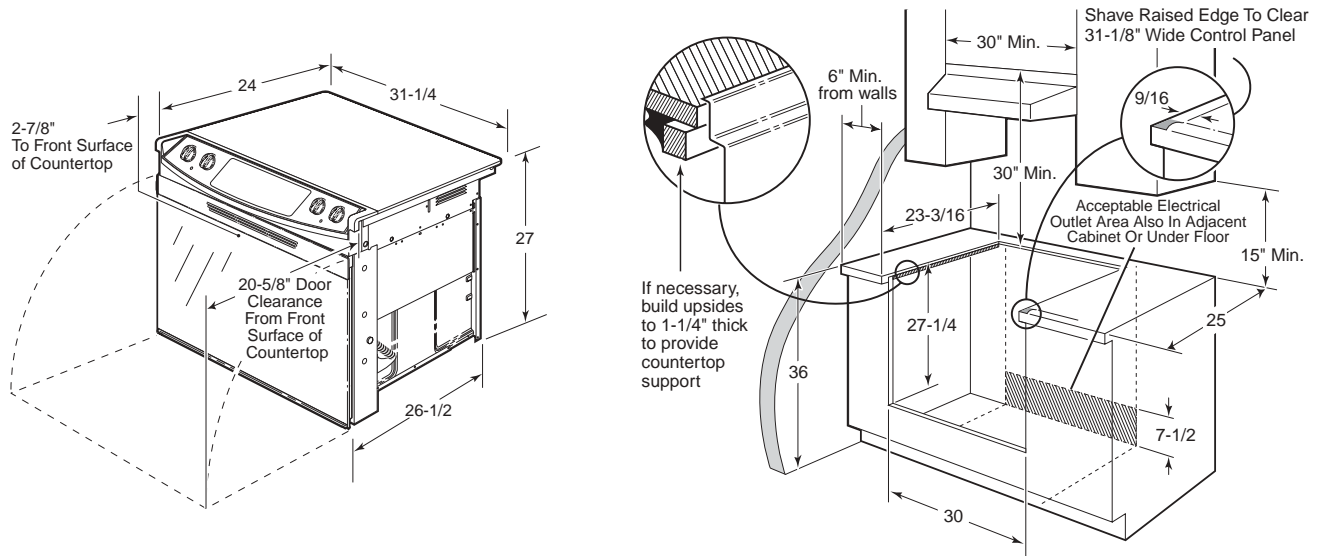
Countertop Cutout—Top View Models JDP39/36 and JDS26



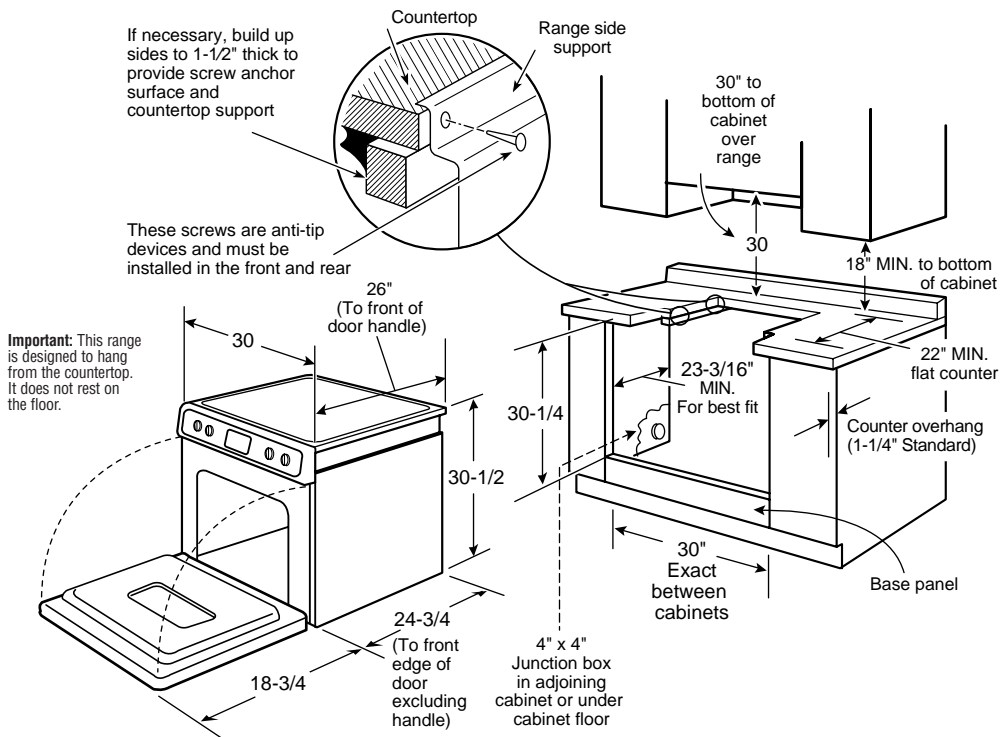
Drop-in ranges are not approved for installation with a plug and receptacle. They must be hard wired in accordance with installation instructions.



30" Drop-In Range Dimensions (in inches)
Models JD968 and JDP47



30" Drop-In Range Dimensions (in inches)
Models JDP39/36 and JDS26



Spacemaker™ 27" Drop-In Electric Ranges

	GE Profile™	GE®	
	JMP31WC	JMP28BC JMP28BD	JMS08BD
Features			
Oven cleaning	Self-Clean	Self-Clean	Standard Clean
Variable cleaning time	●	●	
Automatic self-clean oven door lock	●	●	
Oven racks	2	2	2
	White Porcelain-Enameled	White Porc.-Enam. Bisque Porc.-Enam.	White or Bisque Porcelain-Enameled
Lift-up overhanging cooktop			
8" heating elements	1	1	1
6" heating elements	3	3	3
Plug-in Calrod™ heating elements	●	●	●
Infinite heat controls	●	●	●
Removable one-piece drip bowls	Chrome	Chrome	Chrome
Electronic clock and kitchen timer	●	●	
Delay Bake option	●	●	
Auto oven shut-off	●	●	
Electronic oven control	●	●	
Heating element "ON" indicator light	●	●	●
Interior oven light	●	●	●
Broiler pan with grid	●	●	●
Appearance			
Color appearance*	WW	WH CT	WH/CT
Frameless oven door	White Glass	Black Glass	Black Glass
Oven door with window	Big ClearView™	Big ClearView	Big ClearView
Lift-off oven door	●	●	●
Designer-style handle	Sure Grip	●	●
Weights & Dimensions			
Overall oven interior dimensions (WxHxD in inches)	19 x 15 x 18		
Approx. shipping weight (lbs.)	119	119	119
Power/Ratings			
KW rating @ 240V	9.8	9.8	10.1
208V	7.3	7.3	7.6
Amps @ 240V	40	40	40
208V	40	40	40

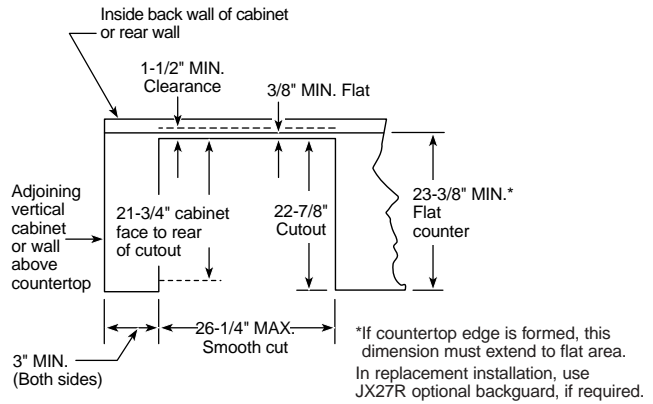
*WW = White with white glass door, WH = White with black glass door, CT = Bisque with black glass door

Optional Backguard

(Available at additional cost)
JX27RBK = Black
JX27RWH = White



Countertop Cutout—Top View



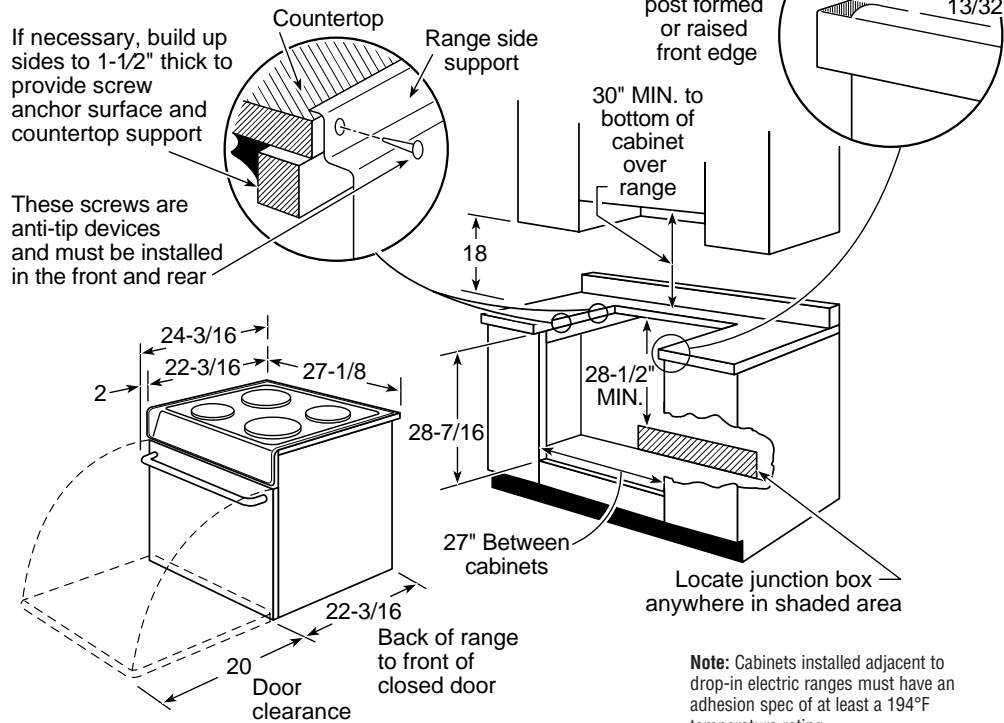
Note: All 27" Drop-In Electric Ranges conform to U.L. requirements for minimum spacing between range and side wall below countertop.

Note: Door handle protrudes 2-3/4" from door face. Cabinets and drawers on adjacent 45° and 90° walls should be placed to avoid interference with the handle.

Installation Information: Before installing, consult installation instructions packed with product for current dimensional data.

27" Drop-In Range Dimensions (in inches)

Important: This range is designed to hang from the countertop. It does not rest on the floor.



Note: Cabinets installed adjacent to drop-in electric ranges must have an adhesion spec of at least a 194°F temperature rating.

Slide-Out Hoods

	GE Profile							
	JV960SC	JV930SC	JV696S	JV695S	JV694S	JV396S	JV395S	JV394S
Features								
Variable-speed fan control	●	●	●	●	●	●	●	●
Auto heat sensor	●	●	●	●	●	●	●	●
Vertical exhaust (CFM)	300	300	300	300	300	300	300	300
Sones rating: Top exhaust	4.5	4.5	4.5	4.5	4.5	4.5	4.5	4.5
Removable grease filter*	●	●	●	●	●	●	●	●
Filter size (sq. in.)	147	147	147	147	147	147	147	147
Cooktop light	●	●	●	●	●	●	●	●
3-1/4" x 10" rectangular duct	●	●	●	●	●	●	●	●
Appearance								
Color appearance**	BA	BA	CC	WW	BB	CC	WW	BB
Weights & Dimensions								
Width (in inches)	36	30	36	36	36	30	30	30
Approx. shipping weight (lbs.)	43	40	43	43	43	40	40	40
Power/Ratings								
Current rating amps @ 120V	3.7	3.7	3.7	3.7	3.7	3.7	3.7	3.7

*Has washable one-piece smoke/grease filter.

**WW = White on white, BB = Black on black, CC = Bisque on bisque, BA = Brushed Aluminum.

Note: These vented hoods include an installed damper.

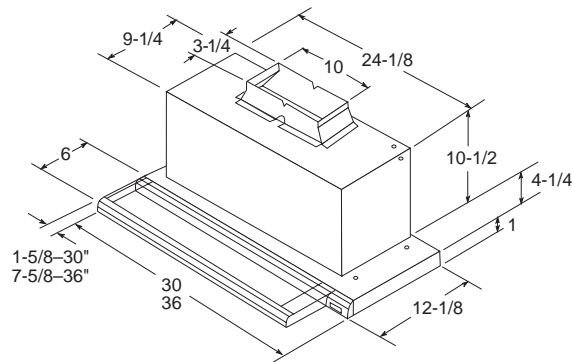
Note: The unit is ducted vertically. Horizontal ducting can be accomplished as shown.

Note: Remove glass visor from unit before installing hood in cabinet to protect visor from damage.

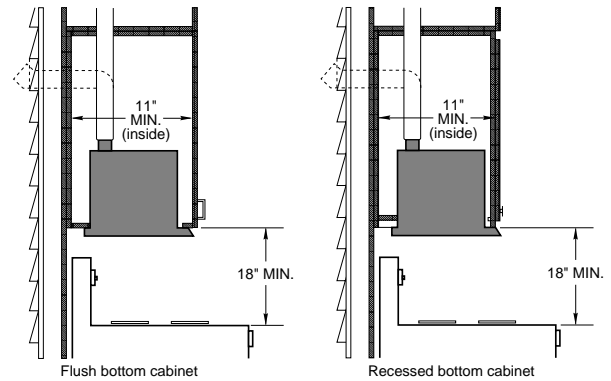
Installation Information: Before installing, consult Use & Care/installation instructions packed with product for current dimensional data.



Installation Information (in inches)



Dimensions (in inches)



36" and 30" Designer Hoods

	GE Profile™	
	JV966D	JV936D
General		
Width	36"	30"
Height	18"	18"
Features		
Ducting	Vertical Only	Vertical Only
Duct size	7" round	7" round
CFM rating	600	600
Sones rating	7	7
Filters	●	●
Filter cleaning	Dishwasher-Safe	Dishwasher-Safe
Lighting	Dual Halogen	Dual Halogen
Control type	Manual	Manual
Control location	Hidden	Hidden
Four-speed fan control	●	●
Light settings	Off/High/Night	Off/High/Night
Blower/light switch color	Black	Black
Appearance		
Color appearance*	SS	SS
Weights & Dimensions		
Approx. shipping weight (lbs.)	77	68
Power/Ratings		
Current rating Amps @ 120V	3.9	3.9
Accessories/Kits		
Baffle filter kit	●	●
Optional chimney kit	●	●

*SS = Stainless steel.

Optional Kits for 36" Designer Hoods

JXBF36SS—36" Commercial Filter
 JXCHSS—Stainless Chimney Kit
 JXDW1—7" round to 3-1/4" x 10" rectangular duct transition for rear wall discharge.

Optional Kits for 30" Designer Hoods

JXBF30SS—30" Commercial Filter
 JXCHSS—Stainless Chimney Kit
 JXDW1—7" round to 3-1/4" x 10" rectangular duct transition for rear wall discharge.

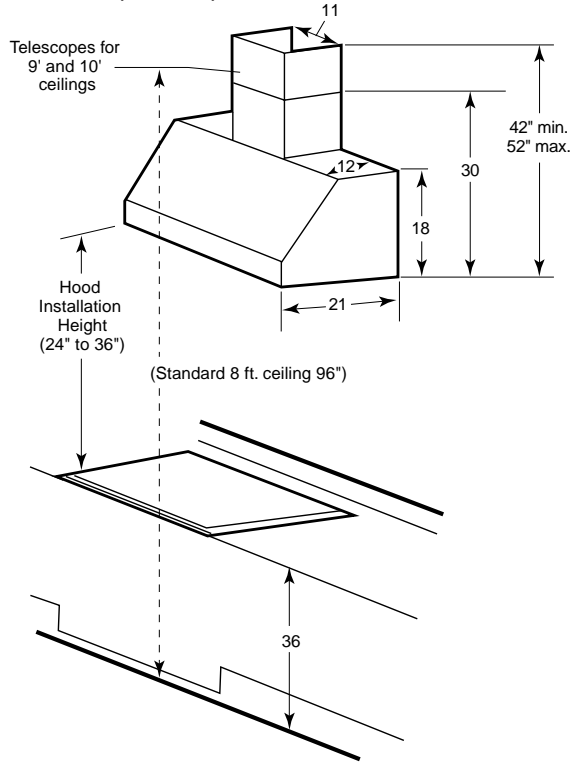


Listed by Underwriters Laboratories

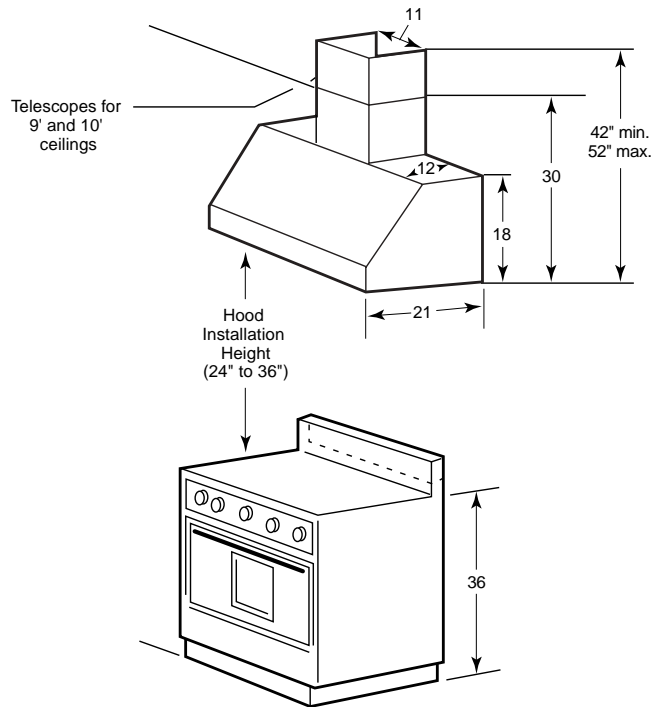
Note: Typical overhead cabinets are 12" deep. For cabinets of greater depth, place spacer of non-combustible material behind hood.

Installation Information: Before installing, consult installation instructions packed with product for current dimensional data.

Installed Above a Cooktop (Shown with Optional Chimney Kit) Dimensions (in inches)



Installed Above a Range (Shown with Optional Chimney Kit) Dimensions (in inches)

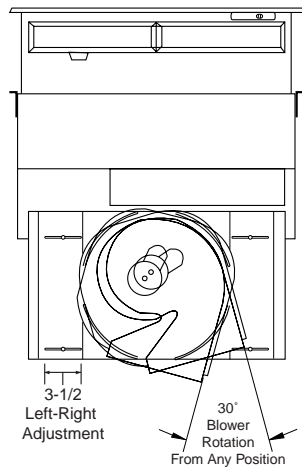


Telescopic Downdraft Systems

	GE Profile			
	JVB98SH	JVB94SH	JVB67HWW JVB67HCC JVB67HBB	JVB37HWW JVB37HCC JVB37HBB
Features				
Upfront variable-speed fan w/slide control	●	●	●	●
Separate remote raise/lower switch	●		●	
Blower rating (CFM)	500	500	500	500
Optional blower mount capabilities	●	●	●	●
3-1/4" x 10" rectangular duct	●	●	●	●
Minimum 6" round duct capability	●	●	●	●
Removable grease filters	●	●	●	●
Appearance				
Color appearance*	SS	SS	WW CC BB	WW CC BB
Cover plate	SS	SS	White Bisque Black	White Bisque Black
Telescopic snorkel assembly	Black	Black	Black	Black
Weights & Dimensions				
Width (in inches)	36	30	36	30
Approx. shipping weight (lbs.)	76	72	76	72
Power/Ratings				
Current rating amps @ 120V	4.0	4.0	4.0	4.0

*SS = Stainless steel, WW = White on white, CC = Bisque on bisque, BB = Black on black.
Note: Approved for use with GE Profile and GE® electric and sealed burner gas cooktops.

Blower Position



Note: Telescopic downdraft vents are not recommended to be installed with cooktops that are flush-mounted.

Approved for use with the following GE Profile and GE cooktops—36" and 30" electric models, 36" and 30" gas sealed burner models and 36" and 30" induction models.

Not approved for use with standard burner gas cooktops.

Note: The countertop must be at least 26" deep with a flat surface area of 23-1/2" or more, front to back. In addition, other clearances to the front edge of the countertop must be considered.

Note: Dimensions shown are for reference only. Before cutting out countertop, refer to instructions packed with **downdraft and cooktop**.

Note: Installation in cabinets/countertops against the wall will not be possible in most applications. Against the wall installations are limited to dimension requirements. Refer to installation instructions packed with product for further details.

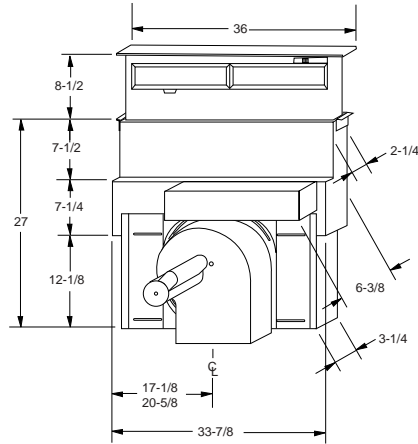
JXBC67 Outdoor Cover. Optional accessory may be ordered for installation of motor and blower assembly on outside wall.

JXR67 Indoor Remote Accessory. Optional accessory may be ordered for installation of motor and blower assembly in an indoor remote location.

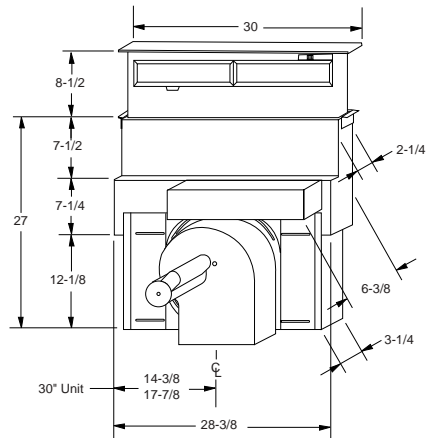
Installation Information: Before installing, consult installation instructions packed with product for current dimensional data.

The hood is designed for a 3-1/4" x 10" duct size. A 3-1/4" x 10" rectangular to 6" round transition duct is available at your local building supply store.

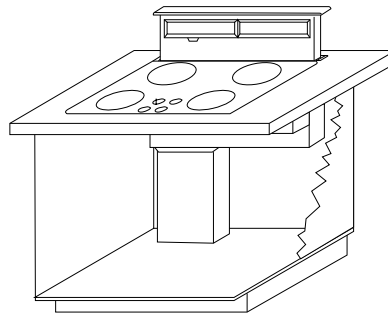
Overall Dimensions (in inches) Model JVB98/67



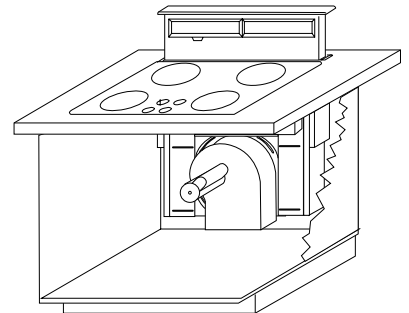
Model JVB94/37



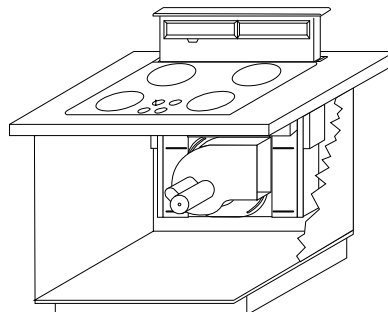
Venting Options (Through the Floor)



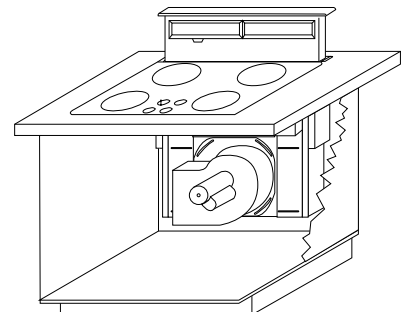
In-Cabinet Discharge (Down)



In-Cabinet Discharge (Right)



In-Cabinet Discharge (Left)



Hoods

	GE Profile™						
	Width	High-Performance				Performance	
		30"	JV666H	JV665H	JV636H	JV635H	JV536H
	36"					JV566H	JV565H
Features							
Two-speed fan control					•	•	
Four-speed fan control	•	•	•	•			
Damper included (rectangular)	•	•	•	•	•	•	
Optional damper accessory (round)	JXDA22	JXDA22	JXDA22	JXDA22	JXDA22	JXDA22	
CFM/Sone rating:							
Back rectangular	390/7.5	390/7.5	390/7.5	390/7.5	240/4.5	240/4.5	
Top round	410/7.0	410/7.0	410/7.0	410/7.0	250/4.5	250/4.5	
Top rectangular	380/7.5	380/7.5	380/7.5	380/7.5	240/5.0	240/5.0	
Removable grease filters	2†	2†	2†	2†	2††	2††	
Cooktop light(s)*	2 Halogen (50 watt)	2 Halogen (50 watt)	2 Halogen (50 watt)	2 Halogen (50 watt)	2 Halogen (50 watt)	2 Halogen (50 watt)	
Night light position on light switch							
3-1/4" x 10" rectangular duct	•	•	•	•	•	•	
7" round duct	•	•	•	•	•	•	
Non-vented					•	•	
Appearance							
Color appearance**	SS	WW/CC/BB	SS	WW/CC/BB	SS	WW/CC/BB	
Weights & Dimensions							
Approx. shipping weight (lbs.)	35	35	30	30	30	30	
Power/Ratings							
Current rating amps @ 120V	2.5	2.5	2.5	2.5	1.4	1.4	

*Light bulbs not furnished.

**SS = Stainless steel, WW = White on white, CC = Bisque on bisque, BB = Black on black.

†WB02X11011 (30") or WB02X11012 (36") removable grease filter is available for additional cost (Models JV666, 665, 636, 635).

††WB02X10707 (30") or WB02X10708 (36") removable charcoal filter is available for additional cost (Models JV566, 565, 536, 535).

Call toll-free 800.626.2002.

	GE®			
	Width	Deluxe	Standard	
		30"	JV347H	JV338H
	36"	JV367H		
Features				
Two-speed fan control		•	•	•
Three-speed fan control	•			
Vertical exhaust (CFM)	200	170		
Rear exhaust (CFM)	180	160		
Damper included (rectangular)	•	•		
Optional damper accessory (round)JXDA22	JXDA22			
Sones rating:				
Top exhaust	6.0	5.5		
Rear exhaust	7.0	7.0		
Removable grease filters	Disposable 1-Pc. Filter†	1†		Disposable 1-Pc. Filter†
Filter size (sq. in.)	90	90		90
Cooktop light(s)*	1	1		1
3-1/4" x 10" rectangular duct	•	•		
7" round duct	•	•		
Non-vented				•
Appearance				
Color appearance**	WW/CC/BB	WW/CC/BB	WW/CC/BB	WW/CC/BB
Weights & Dimensions				
Approx. shipping weight (lbs.)	20	17		19
Power/Ratings				
Current rating amps @ 120V	2.5	2.5		2.5

*Light bulbs not furnished.

**WW = White on white, CC = Bisque on bisque, BB = Black on black.

†WB02X9381 replacement grease filter and WB02X10700 replacement charcoal filter are available for additional cost.

Call toll-free 800.626.2002 (Models JV367/347/338 and JN327).

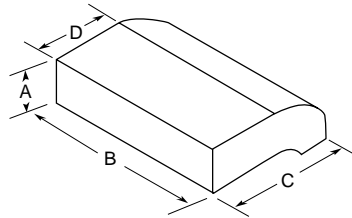
JXHC1 Cord Kit

Allows a receptacle in the cabinet over the range to accommodate either an over-the-range microwave oven or a standard hood.

Note: Typical overhead cabinets are 12" deep. For cabinets of greater depth, place spacer of non-combustible material behind hood.

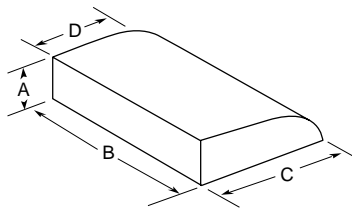
Dimensions (in inches)

Model	A	B	C	D
JV666/JV665	4-3/4	35-7/8	20	12
JV636/JV635	4-3/4	29-7/8	20	12
JV536/JV535	4-3/4	29-7/8	20	12
JV566/JV565	4-3/4	35-7/8	20	12



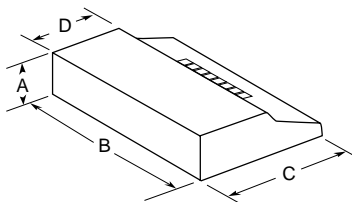
Dimensions (in inches)

Model	A	B	C	D
JV367	5-1/2	35-7/8	17-1/2	12
JV347	5-1/2	29-7/8	17-1/2	12



Dimensions (in inches)

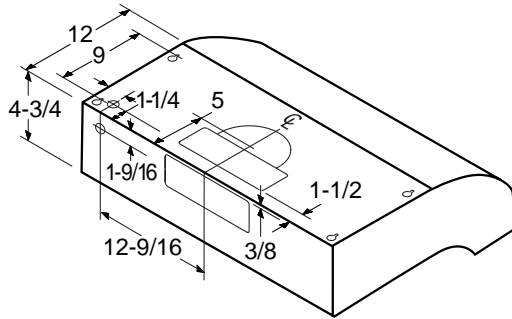
Model	A	B	C	D
JV338	5-1/2	29-7/8	17-1/2	12
JN327	5-1/2	29-7/8	17-1/2	12



Hood Dimensions (in inches)

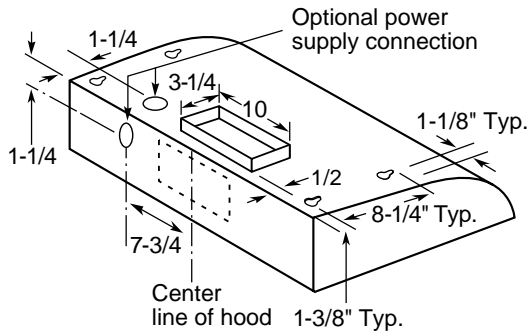
1 Models JV666H, JV665H, JV636H, JV635H, JV536H, JV535H, JV566H and JV565H

Exhaust outlet connects to 3-1/4" x 10" duct (vertically or horizontally) and 7" round (vertically). Includes rectangular damper and 7" round damper adapter. Round damper accessory JXDA22 available at additional cost.



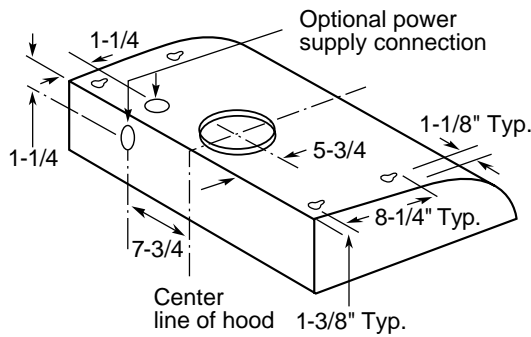
2 Models JV367H,* JV347H and JV338H

*JV367H, JV347H and JV338H— Refer to this drawing for rectangular exhaust option. Refer to drawing 3 for round exhaust option. Exhaust outlet connects to 3-1/4" x 10" rectangular duct. Vent top or rear. Includes rectangular damper.

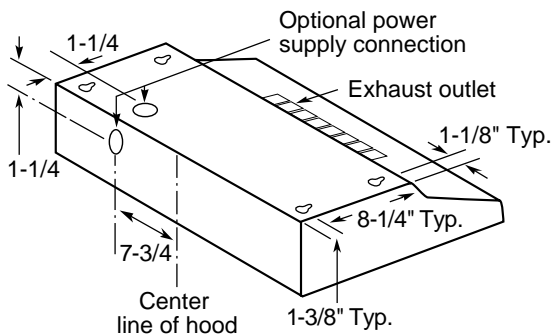


3 Models JV367H, JV347H and JV338H*

*JV367H, JV347H and JV338H— Refer to this drawing for round exhaust option. Refer to drawing 2 for rectangular exhaust option. Exhaust outlet connects to 7" diameter duct. Vent top only. Round damper accessory JXDA22 available at additional cost.



4 Model JN327H



Listed by Underwriters Laboratories

Installation Information: Before installing, consult installation instructions packed with product for current dimensional data.

(Models JV347, JV367, and JV338 only)

Answers that click!

GE puts everything you need at your fingertips.



GE Appliances web site — 16 million visitors a year!
Visit us at GEAppliances.com

Everything you need to know about GE products is here. Access up-to-date information, find out “what’s new,” obtain dimensions, get installation tips and more. Extremely user-friendly, this one-stop site lets you research by brand, category or model number and even buy online through a local GE dealer.

GE Answer Center® saves you time. 800.626.2000

This 24-hour-a-day, 7-day-a-week service provides answers on product features, installation, service and more.



A Century of Quality and Innovation

For more than a century, GE has been committed to producing innovative products that change the way people live. The result of thorough research and rigorous testing, GE appliances are designed for years of dependable performance. Today, the GE tradition of quality and innovation continues.



GE Appliances

GE Consumer & Industrial
GE Company
Louisville, Kentucky 40225
GEAppliances.com

Before purchasing an appliance, read important information about its estimated annual energy consumption or energy efficiency rating that is available from your retailer or GEAppliances.com

GE has a policy of continuous improvement of its products and reserves the right to change materials and specifications without notice.

© 2004 GE Company
Pub. No. 3-S004 PC37048