

# ZDIC150Z

## GE Monogram® High-Production, Large Capacity Automatic Ice maker

### Dimensions and Installation Information (in inches)

#### Dimensions

H 34-1/2"

W 14-7/8"

D 23-3/4"

#### Note:

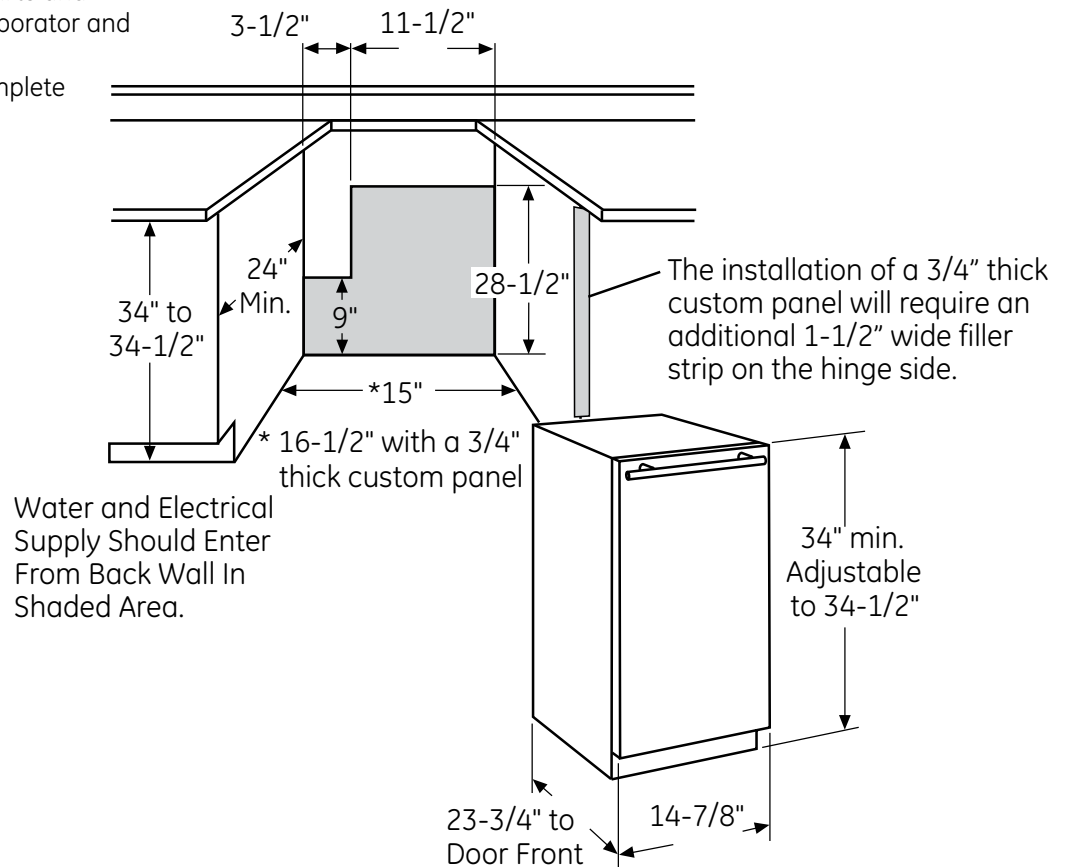
The finished cut-out is determined by the type of installation. Before installing, consult installation instructions packed with product for current dimensional data.

#### Warranty Information:

Limited one-year warranty, in-home service, parts and labor.\*

Limited five-year warranty, parts and labor on the compressor, evaporator and all connecting tubing.\*

\*See written warranty for complete details.



#### Note:

The addition of a 3/4" thick front panel will result in a front to back depth of 24-1/16".

For answers to your Monogram®, GE Profile™ or GE® appliance questions, visit our website at [ge.com](http://ge.com) or call GE Answer Center® service, 800.626.2000.



imagination at work



Listed by  
Underwriters  
Laboratories

Specification Created 8/13

120046

# ZDIC150Z

## GE Monogram® High-Production, Large Capacity Automatic Ice maker

### Dimensions and Specifications (in inches)

The Monogram® automatic icemaker can be used free-standing or as a built-in, under the countertop.

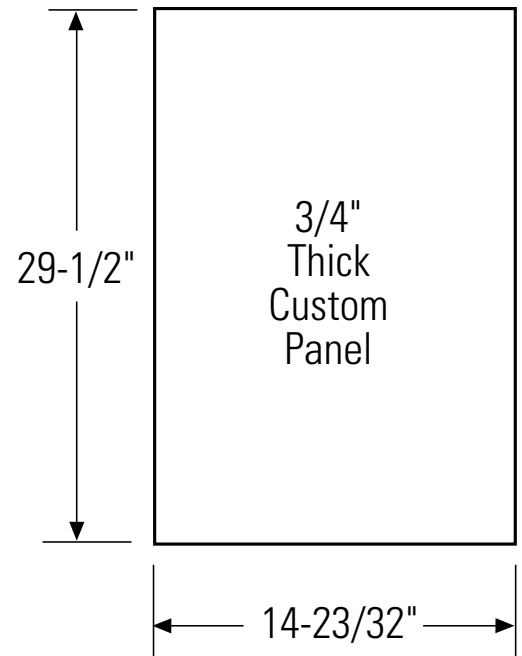
The Monogram® automatic icemaker requires a 115 Volt, 60 Hz., AC only power supply, with an individual, properly grounded branch circuit, protected by a 15 amp fuse or circuit breaker.

The Monogram® automatic icemaker is equipped with a gravity drain to prevent water from flowing back into the ice storage bin. Although a floor drain is acceptable, the ideal installation has a standpipe with a 2" to 1-1/2" pvc drain reducer installed directly below the outlet of the drain tube.

To achieve a custom appearance, the icemaker door accepts 3-4" custom panels (using ZIP75BB Black Kit) to coordinate or contrast with cabinetry.

#### Note:

A drain pump is necessary when a floor drain is not available. Order ZPK1 Drain Pump Kit or contact your local plumber for a recommended pump available in your area.



For answers to your Monogram®, GE Profile™ or GE® appliance questions, visit our website at [ge.com](http://ge.com) or call GE Answer Center® service, 800.626.2000.



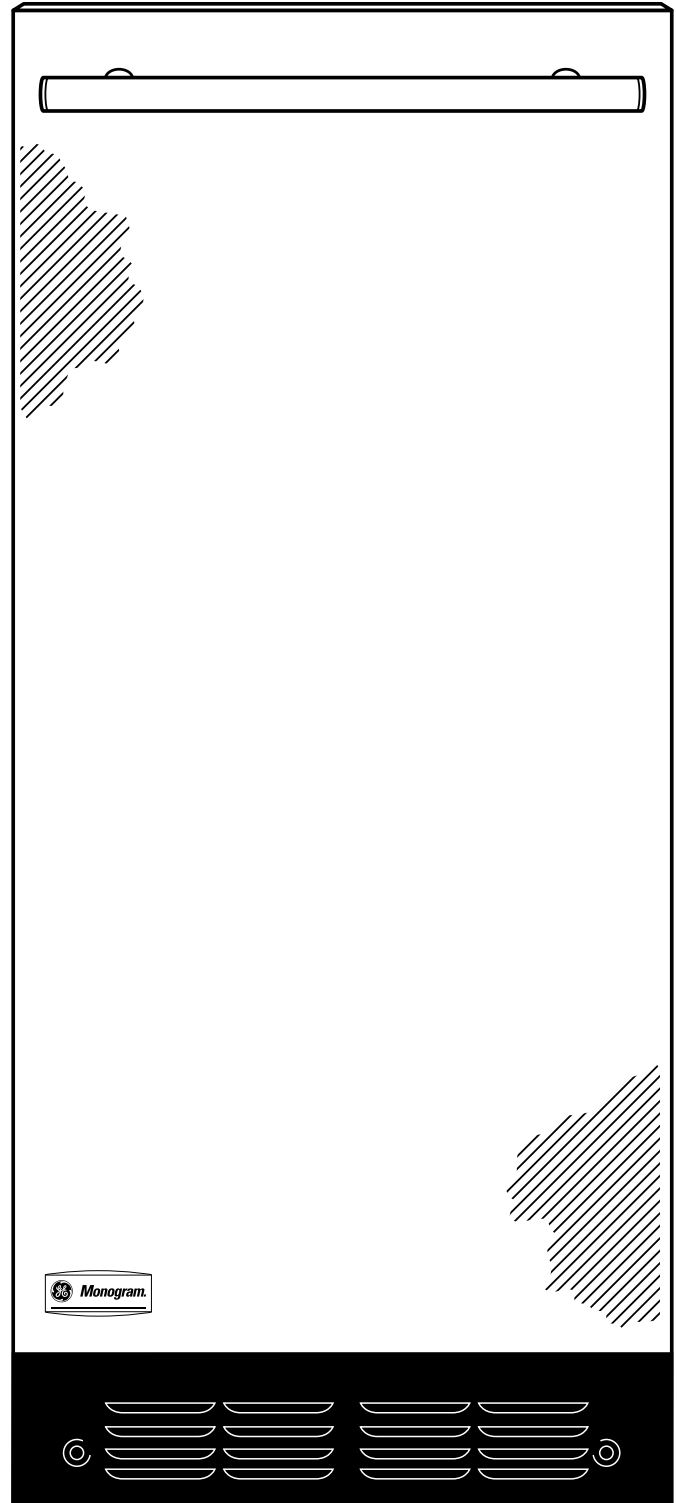
imagination at work

# ZDIC150Z

## GE Monogram® High-Production, Large Capacity Automatic Ice maker

### Features and Benefits

- High production and large capacity - Make a Monogram icemaker a versatile addition to any entertainment setting. Produces up to 50 pounds of clear ice per day and automatically shut off when the 25-pound-capacity bin is full
- Interior LED lighting - Puts cubes in clear view
- Filter-change indicator light - Alerts you when it's time to replace the filter
- Ice scoop - Has a sturdy design that makes it easy to transfer ice cubes to glassware
- Reversible door hinges - Give you added installation and design flexibility
- Customizable 15" door - Accepts a 3/4" overlay panel to match surrounding cabinetry. (Order ZIP75BB panel kit) You can choose your own custom handle
- Model ZDIC150ZBB - Black



imagination at work