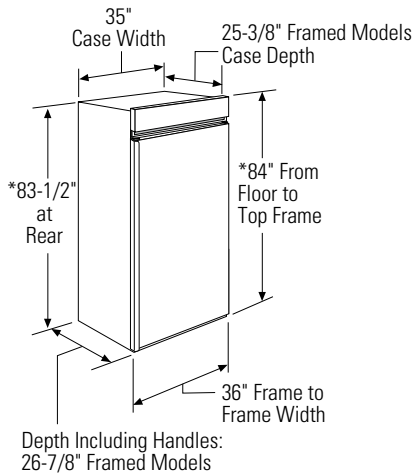


# ZIR360NX

## GE Monogram® 36" Built-In Custom All-Refrigerator

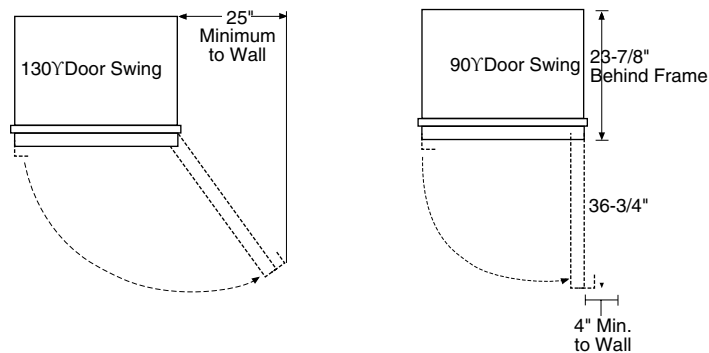
### Dimensions and Installation Information



\*Shipping height. The refrigerator can be adjusted to fit into a cutout 83-1/2" min. to 84-1/2" max. height. Note: the top case trim at the front is 1/2" higher and will overlap upper cabinetry or soffit. Use leveling legs and wheels for a maximum 1" height adjustment.

### Product Clearances

These units are equipped with a 2-position door stop. The factory set 130° door swing can be adjusted to 90° if clearance to adjacent cabinets or walls is restricted.



Allow 25" minimum clearance for a full 130° door swing. Allow 15" for pan removal. for a 90° door swing, allow 4" minimum clearance for professional models. If the 90° doorstop position is used, pan access is maintained but pan removal is restricted.

For answers to your Monogram,® GE Profile™ or GE® appliance questions, visit our website at [geappliances.com](http://geappliances.com) or call GE Answer Center® service, 800.626.2000.

### ZIR360NXRH, Refrigerator

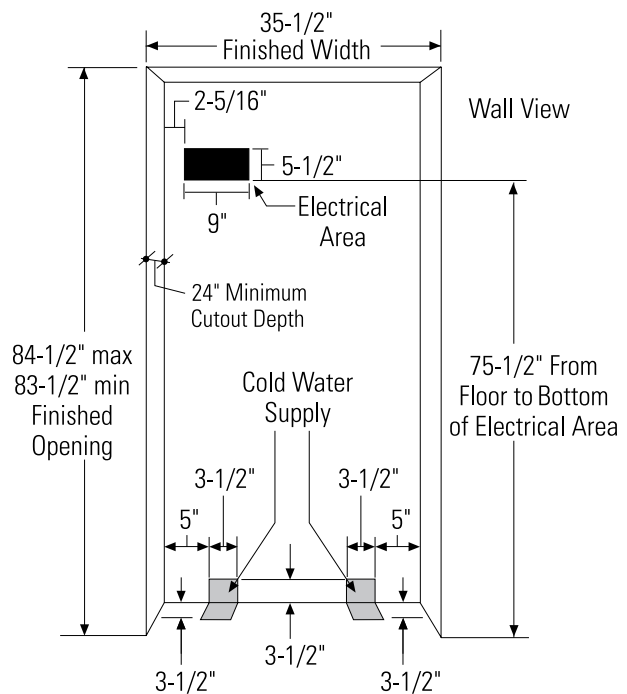
Handle on the left side, the door swings left to right.

### ZIR360NXLH, Refrigerator

Handle on the right side, the door swings right to left.

## Caution

These units are top-heavy and must be secured to prevent the possibility of tipping forward. Anti-Tip protection is required.



The water and electrical supply must be located as shown. The finished cutout width must be 35-1/2".

**Note:** The case trim overlaps cabinets at the top and sides. Frameless cabinets may require filler strips to prevent interference with cabinet door swing. The opening width must allow for filler strips.



imagination at work



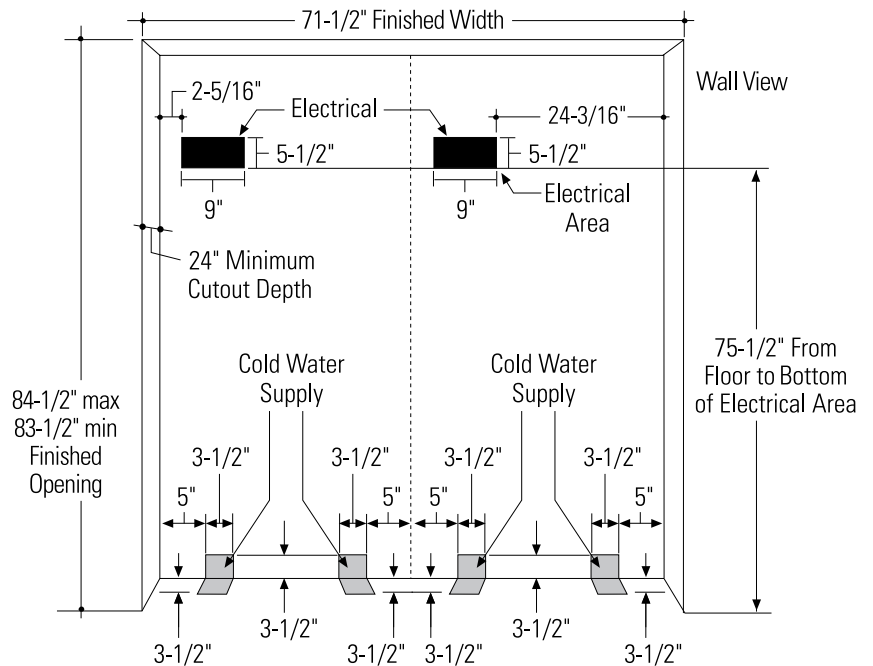
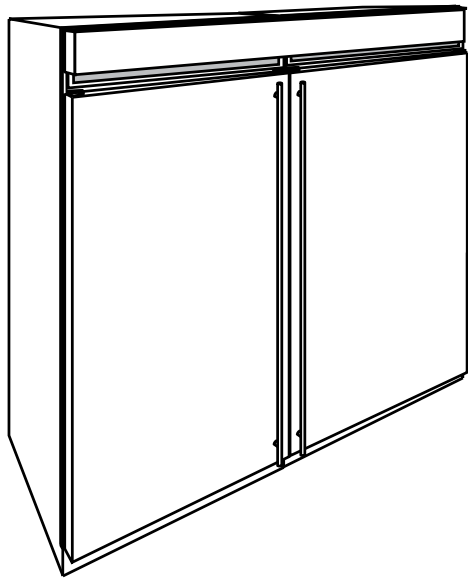
Listed by Underwriters Laboratories

# ZIR360NX

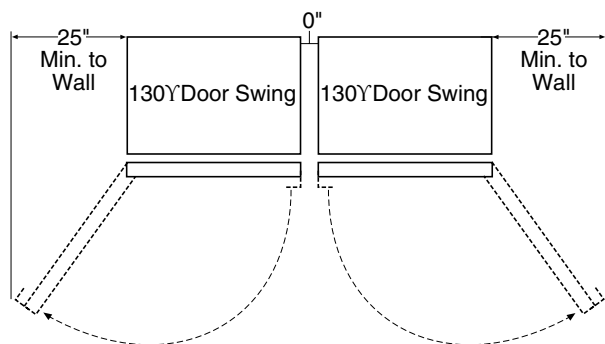
## GE Monogram® 36" Built-In Custom All-Refrigerator

### Dimensions and Installation Information

#### Cutout and Clearances for Multiple Product Installations



For a complete food storage center, install a Monogram All-Refrigerator and All Freezer side-by-side. For even more capacity, install two refrigerators or two freezers.



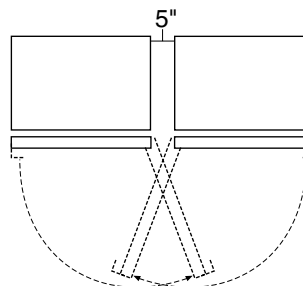
#### Clearances for Multiple Single Door Installations

In a side-by-side installation of a left and right door swing product, the inside trims touch at the front, with a 1" clearance between the units at the rear. Order ZUG2 Unified Grille Panel Kit for one continuous grille panel using a 1/4" framed or 3/4" overlay custom panel.

For answers to your Monogram,® GE Profile™ or GE® appliance questions, visit our website at [geappliances.com](http://geappliances.com) or call GE Answer Center® service, 800.626.2000.

If you are installing two units, side by side, the installation space must be 71-1/2" wide. Additional cutout width may be required when side panels are used. Add side panel thickness to the finished cutout to calculate rough-in width.

- The water and electrical locations for each product must be located as shown.
- A separate 115V, 60Hz., 15 or 20 amp power supply is recommended for each product.



#### Clearances for two products installed side-by-side with right and left side hinges together

Allow 5" minimum between the two products to prevent one door from striking the other. **NOTE:** A unified grille panel kit will NOT fit this installation.



imagination at work



Listed by Underwriters Laboratories

# ZIR360NX

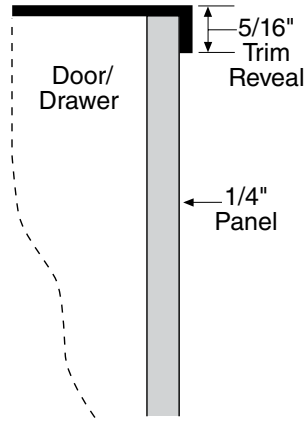
## GE Monogram® 36" Built-In Custom All-Refrigerator

### Dimensions and Installation Information

#### All-Refrigerator, All-Freezer 1/4" Framed Panel

If you choose to install framed panels, they must be cut to the dimensions shown. The panels will slide into the frame on the door and grille.

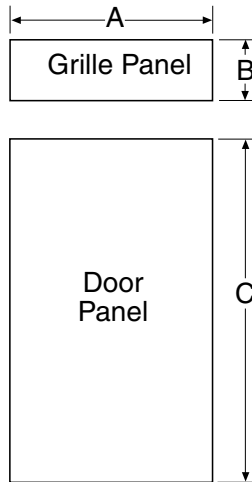
If the panel is less than 1/4" thick, it must be backed up with filler material or foam tape to improve the fit.



#### 1/4" Framed Panel Dimensions

	A (Width)	B (Grille Height)	C (Door Height)
Framed Panel	33-7/8"	8-7/8"	69-5/16"

**IMPORTANT NOTE:** Maximum weight for the door panel is 67 pounds. Maximum total weight for the assembled grille panel is 11 pounds.

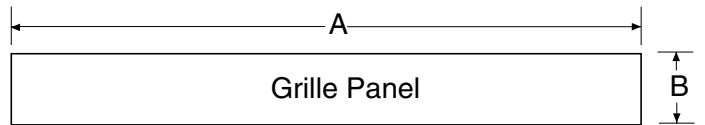


#### 3/4" Overlay Panel Dimensions

	A (Width)	B (Grille Height)	C (Door Height)
1/4" Backer Panel	33-7/8"	8-7/8"	69-5/16"
0.10" Spacer Panel	32-1/2"	7-5/8"	67-15/16"
3/4" Overlay Panel	34-1/8"	9"	69-9/16"

#### ZUG2 Grille Panel Dimensions

The ZUG2 unified grille panel kit provides for the installation of a framed or overlay grille panel.



#### Panel Dimensions

	A (Width)	B (Grille Height)
1/4" Framed Panel	69-7/8"	8-7/8"

#### Panel Dimensions

	A (Width)	B (Grille Height)
1/4" Framed Panel	69-7/8"	8-7/8"
0.10" Spacer Panel	68-1/2"	7-5/8"
3/4" Overlay Panel	70-1/8"	9"

#### IMPORTANT:

Grille panel maximum total weight is 25 lbs..

For answers to your Monogram®, GE Profile™ or GE® appliance questions, visit our website at [geappliances.com](http://geappliances.com) or call GE Answer Center® service, 800.626.2000.



imagination at work



# ZIR360NX

## GE Monogram® 36" Built-In Custom All-Refrigerator

### Dimensions and Installation Information

#### All-Refrigerator, All-Freezer 3/4" Overlay Panel

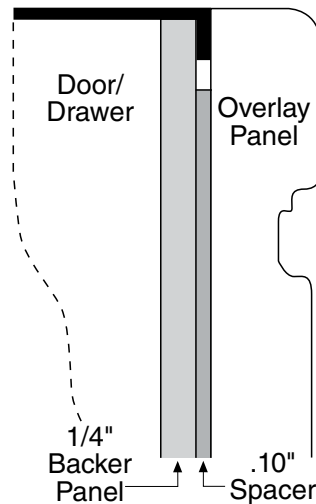
Overlay panels may be installed on trimmed units.

The overlay panel must be secured to a 1/4" thick backer panel which slides into the trim. A 0.10" thick spacer panel must be placed between the custom and backer panel.

Assemble overlay panels with glue and screws.

- Center spacer panel on the backer panel left to right and top to bottom. Secure the panels with glue.
- Center the spacer/backer panel on the overlay panel and secure with glue and screws. Screws must be countersunk into the backer panel.

**Note:** Left-to-right offset is not always equal to top-to-bottom offset.



#### Optional Accessories

Order these accessories from your Monogram supplier.

##### ZKHPSS2, Professional Handle Kit

Professional stainless steel tubular handle designed to fit 3/4" overlay panels. Note: Kit includes one Professional handle, 31" long.

##### ZKHSS2 Tubular Handle Kit

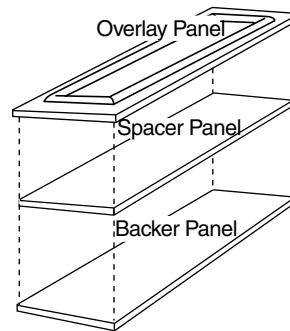
Monogram stainless steel tubular handle designed to fit 3/4" overlay panels. Note: Kit includes two tubular handles, 62-3/8", 3/4" diameter.

##### ZUG2 Unified Grille Panel Kit

For side-by-side installation of trimmed units. This kit provides for a unified custom grille panel to span the width of two units using a 1/4" framed or 3/4" overlay panel.

##### ZPBS360, Black and ZPSS360 Stainless Steel Accessory Panel Kits

These accessory panels are cut to size and ready to install.



For answers to your Monogram®, GE Profile™ or GE® appliance questions, visit our website at [geappliances.com](http://geappliances.com) or call GE Answer Center® service, 800.626.2000.



imagination at work



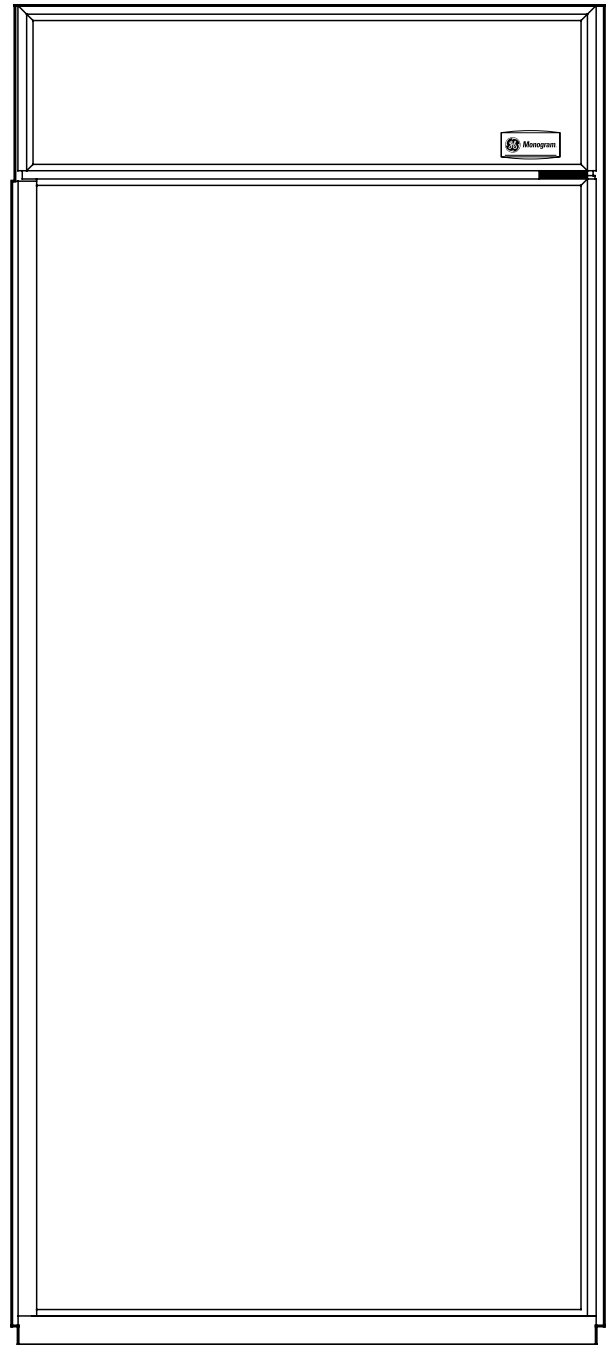
Listed by  
Underwriters  
Laboratories

# ZIR360NX

## GE Monogram® 36" Built-In Custom All-Refrigerator

### Features and Benefits

- Custom Panel Model - Can be personalized with cabinet-matching panels and handles
- Enhanced Temperature Management System - With precise electronic controls and thermistors, maintains ideal storage conditions for fresh foods
- Concealed Halogen Lighting System - Illuminates contents without compromising space
- ENERGY STAR® Qualification - As an ENERGY STAR partner, GE has determined that Monogram all-refrigerators meet the ENERGY STAR guidelines for energy efficiency
- Humidity-Controlled Compartments and Sealed Snack Drawers - Help preserve the freshness of foods
- Adjustable Spillproof Glass Shelves - Easily accommodate party trays and platters
- Gallon-Size Door Bin - Holds milk containers, two-liter bottles and pitchers
- Sealed Dairy Compartment - Locks in freshness
- Model ZIR360NXRH – Door panels required (right-handed door swing)
- Model ZIR360NXLH – Door panels required (left-handed door swing)



For answers to your Monogram,® GE Profile™ or GE® appliance questions, visit our website at [geappliances.com](http://geappliances.com) or call GE Answer Center® service, 800.626.2000.



imagination at work