



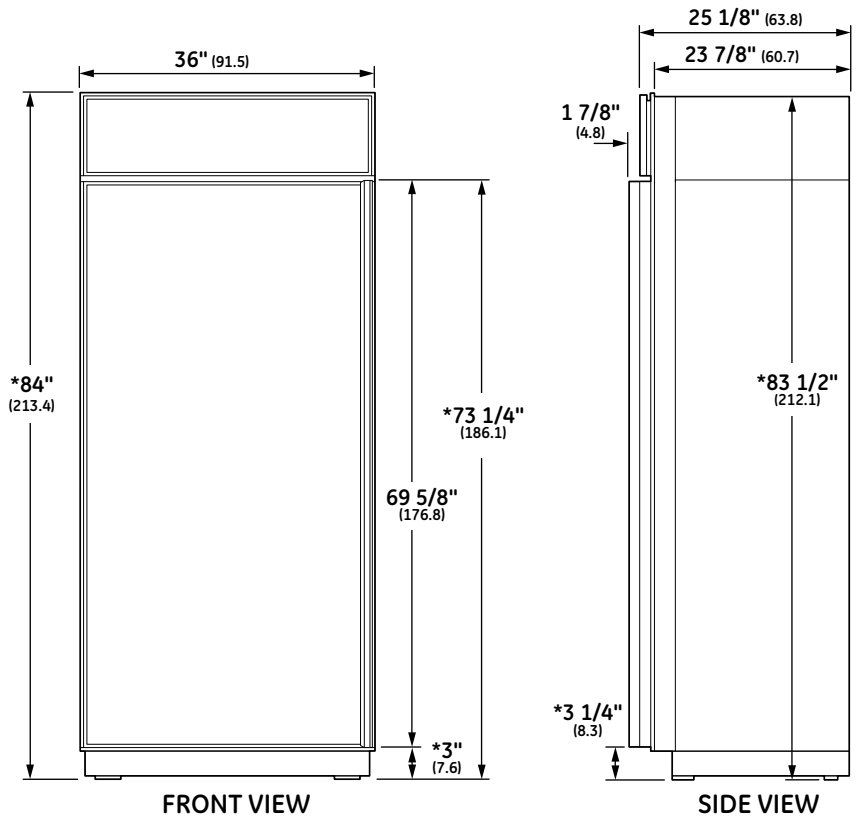
**SPECIFICATIONS**

Overall Width	36" (91.4 cm)
Overall Height	84" (213.4 cm)
Overall Depth	25 3/8" (64.45 cm)
Door Clearance	36 3/4" (93.4 cm)
Cutout Width	35 1/2" (90.2 cm)
Cutout Height	83 1/2" - 84 1/2" (212.1 - 214.6 cm)
Cutout Depth	24" (61 cm)
Plumbing Requirements	1/4" OD copper tubing or GE SmartConnect kit
Shipping Weight	569 lb

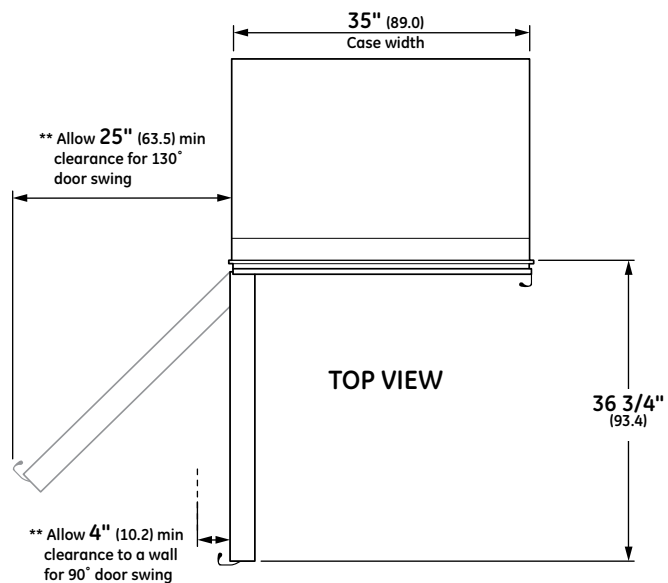
**ATTENTION ELECTRICIAN:**

A 115 volt 60Hz., 15 or 20 amp power supply is required. An individual properly grounded branch circuit or circuit breaker is recommended. Install a properly grounded 3-prong electrical receptacle recessed into the back wall.

**OVERALL DIMENSIONS**



\* Shipping height. Use leveling legs and wheels for maximum 1" height adjustment from shipping height.

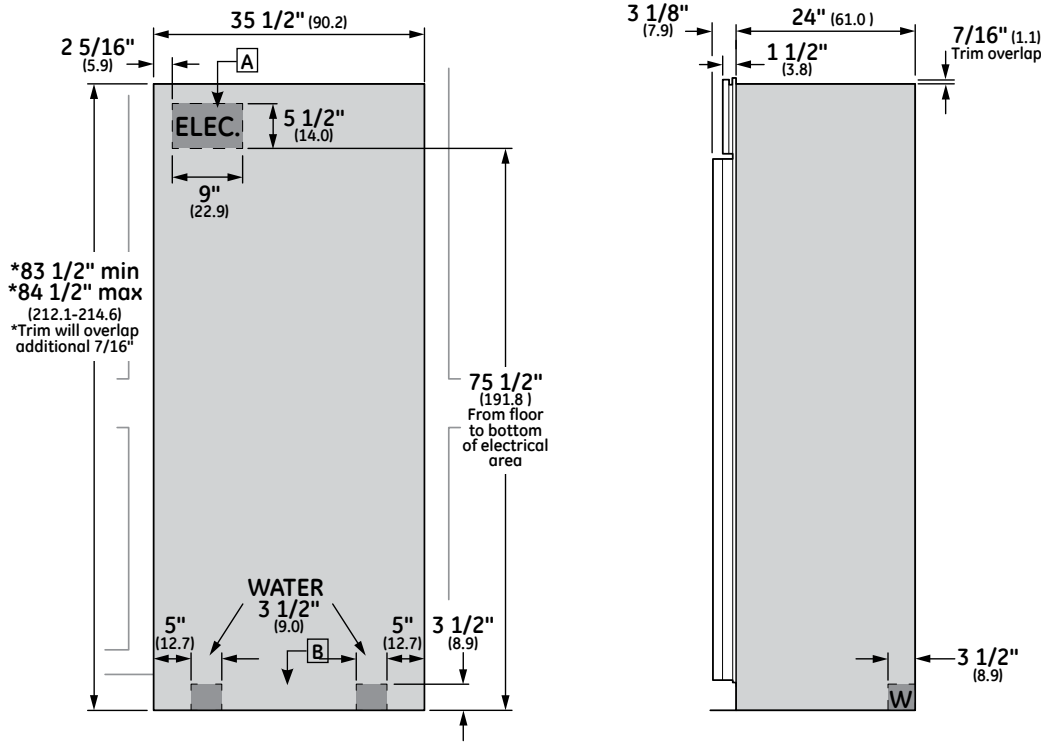


\*\*These units are equipped with a 2-position door stop. The factory set 130° door swing can be adjusted to 90° if clearance to adjacent cabinets or walls is restricted. Allow 15" minimum clearance to wall for pan removal. If the 90° door stop position is used, pan access is maintained but pan removal is restricted.

Dimensions in parentheses are in centimeters unless otherwise noted. Actual product dimension may vary due to manufacturing tolerances.



STANDARD INSTALLATION



\*83 1/2" min  
\*84 1/2" max  
(212.1-214.6)  
\*Trim will overlap  
additional 7/16"

75 1/2"  
(191.3)  
From floor  
to bottom  
of electrical  
area

NOTES

**A** Mounting the junction box in this location will also allow for front accessibility through access panel.

**B** Water supply area.

**⚠ WARNING:**

The refrigerator is top heavy and must be secured to prevent the possibility of tipping forward. Failure to do so may result in death or serious injury.

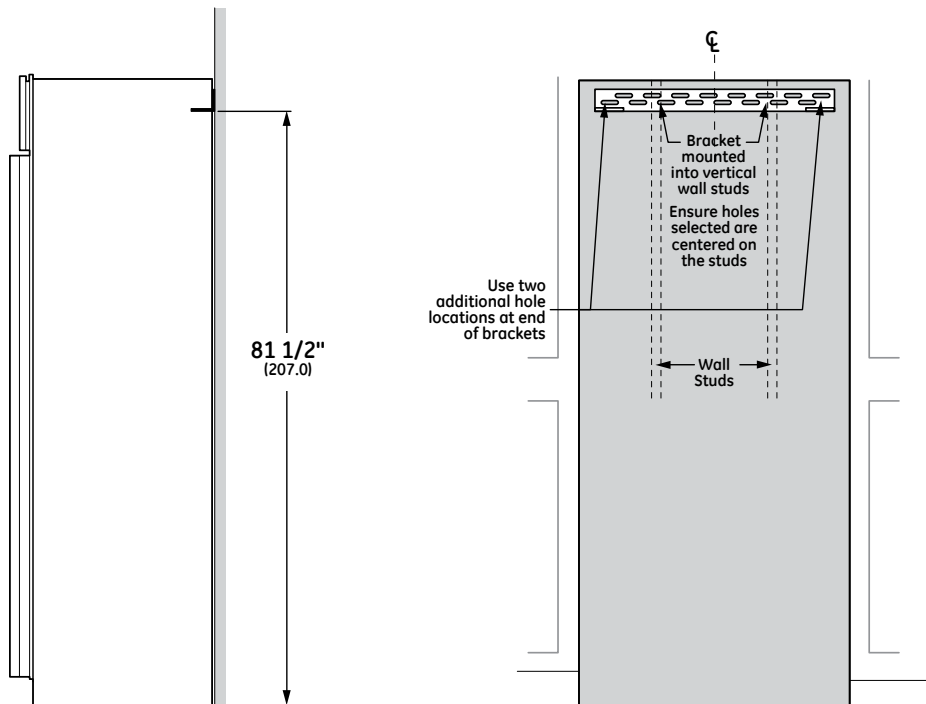
The information below is for cabinet design only. When installing the anti-tip system you must use the product installation instructions.

The information below applies to all installation constructions:

- A wall bracket, bolts and toggles will be supplied with the unit.
- The bolts will be used to attach bracket to wall in 4 locations. Two of the locations must penetrate the center of the wall studs.
- The toggles are used for stability in drywall and when metal studs are encountered. Lag bolts are used in wood studs.
- In installation opening, measure 81 1/2" from floor and draw a horizontal line.
- Locate and mark the wall studs on horizontal line. Verify at least two studs have their centerlines within the center 32.5" of installation opening to ensure 2 wall studs are penetrated.
- The bracket will be centered left to right in opening with bottom of bracket on the horizontal line.
- When unit is placed in opening, the bracket tabs will align with openings in back of the unit. The unit will be secured to the bracket using supplied "L" bolts.

See Installation Instructions for detailed instructions.

ANTI-TIP BRACKET

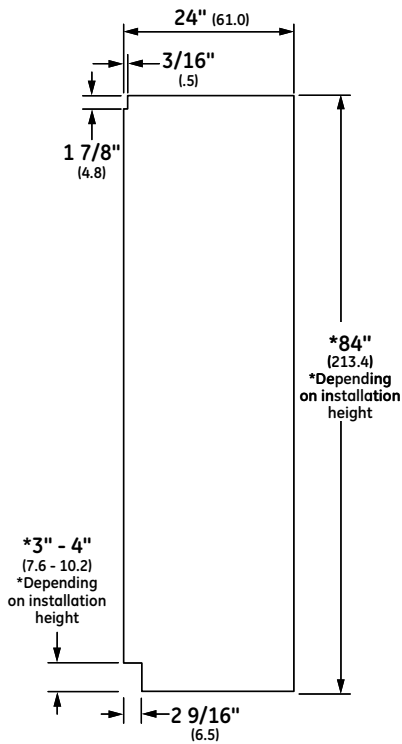


SIDE VIEW INSTALLED WITH ANTI-TIP BRACKET

FRONT VIEW OF CUTOUT WITH ANTI-TIP BRACKET

CUSTOM SIDE PANELS

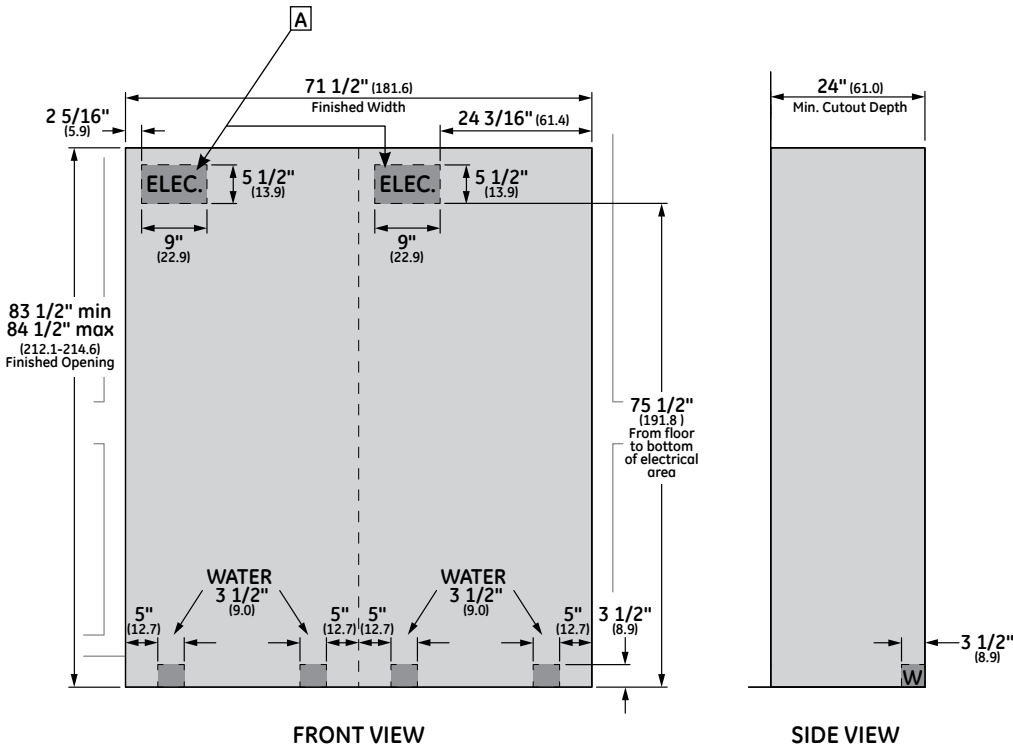
F



NOTES

F Side panels must be used whenever the sides of the refrigerator will be exposed. The 1/4" side panels will slip into the side case trim. Secure the panels to the refrigerator with stick-on hook and loop fastener strips. Order the side panels from the cabinet manufacturer.

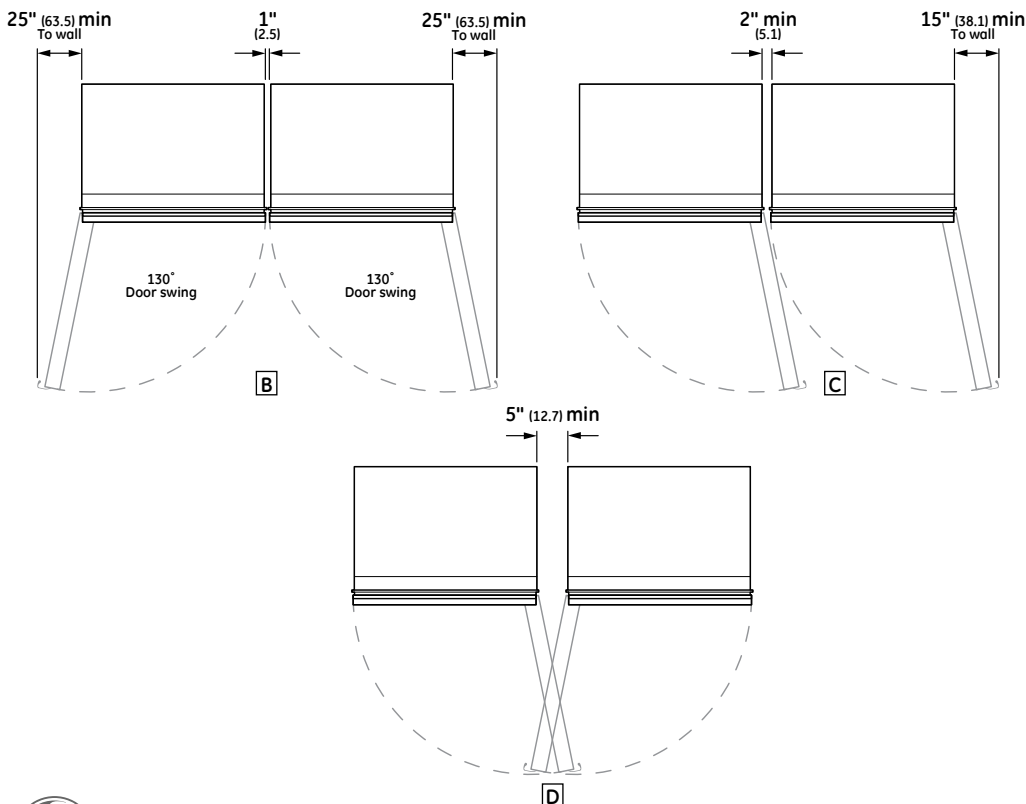
DUAL INSTALLATIONS



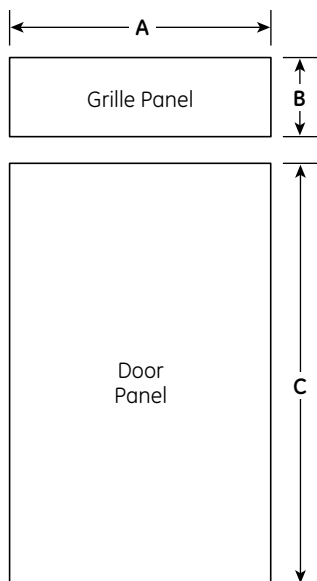
NOTES

- A** A separate 115V, 60Hz, 15- or 20-amp power supply is recommended for each product.  
Additional cutout width may be required when side panels are used.
- B** In a side-by-side installation of a left-and-right-hand door swing product, 1" clearance between the units is required. Order ZUGSS2 European, ZUGPP2 Professional or ZUG2 custom panel unified grille kit for one continuous grille panel.
- C** In a side-by-side installation with same door swing, allow 2" minimum clearance between the products to prevent the door swing interference. Allow 15" minimum to a wall to achieve full drawer extension and pan removal. Additional clearances are required when using custom panels and handles.  
NOTE: ZUG2, ZUGSS2 or ZUGPP2 grille panel kits will not fit this installation.
- D** In a side-by-side installation with right and left door hinges together, allow 5" minimum clearance between the two products to prevent one door from striking the other. Additional clearances required when using custom panels and handles.  
NOTE: ZUG2, ZUGSS2 or ZUGPP2 grille panel kits will not fit this installation.

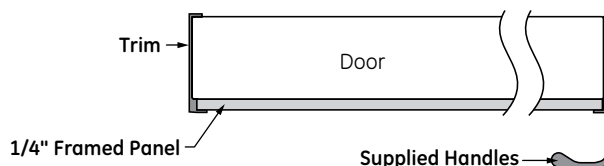
DUAL PRODUCT CLEARANCES



## 1/4" FRAMED PANEL DIMENSIONS



### PANEL ASSEMBLY CROSS SECTION



### PANEL DIMENSIONS

	A	B	C
1/4" Framed Panel	33 7/8"	8 7/8"	69 5/16"

## NOTES

Trimmed refrigerators are designed to be customized with decorative panels. Field-installed custom door and grille panels are required.

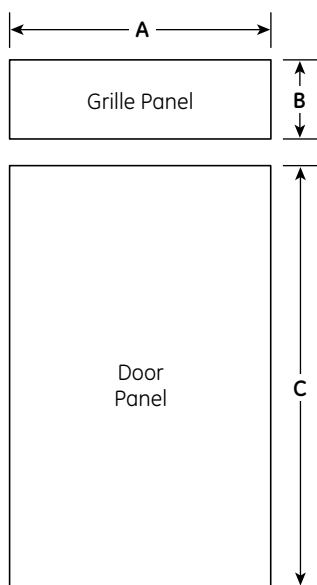
### 1/4" Framed Panels:

You may install 1/4"- thick custom panels from your cabinet manufacturer. The decorative panels slide into the factory- installed trim.

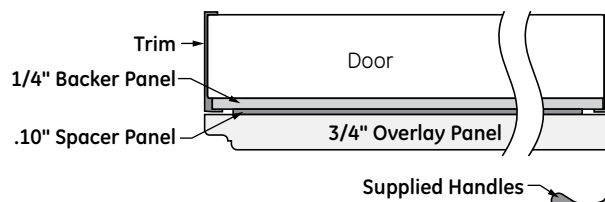
### Maximum total panel weight:

- Door panel – 67 lbs.
- Grille panel – 11 lbs

## 3/4" OVERLAY PANEL DIMENSIONS



### PANEL ASSEMBLY CROSS SECTION



### PANEL DIMENSIONS

	A	B	C
1/4" Backer Panel	33 7/8"	8 7/8"	69 5/16"
.10" Spacer Panel	32 1/2"	7 5/8"	67 15/16"
3/4" Overlay Panel	34 1/8"	9"	69 9/16"

.25" + .10" + .75" = 1.10" Total Panel Thickness

### 3/4" Overlay Panels:

For a more custom appearance, overlay panels may be installed on trimmed models. The overlay panel must be secured to a 1/4"-thick backer panel which slides into the trim. A spacer panel 0.10" thick must be placed between the overlay and backer panels.

Center each panel over the other. Assemble the panels with glue and screws. Screws must be countersunk into the backer panel.

**NOTE:** Left-to-right offset is not always equal to top-to-bottom offset.

### Maximum total panel weight:

- Door panel – 67 lbs.
- Grille panel – 11 lbs

### Door Handles:

The supplied handles can be adjusted to accommodate both framed or overlay panels. Custom handles of your choice, supplied by your cabinet maker, can also be installed.

**ZKHPSS1:** Professional Tubular Stainless Steel Handle designed to fit 3/4" overlay panels. Kits include one handle - 30 1/2" long.

**ZKHSS2:** European tubular stainless steel handle designed to fit 3/4" overlay panels. Kits include one handle - 64 1/4" long.

## FEATURES AND BENEFITS

**Custom Panel Model** - Can be personalized with cabinet-matching panels and handles

**Enhanced Temperature Management System** - With precise electronic controls and thermistors, maintains ideal storage conditions for fresh foods

**Concealed Halogen Lighting System** - Illuminates contents without compromising space

**ENERGY STAR® Qualification** - As an ENERGY STAR® partner, GE has determined that Monogram all-refrigerators meet the ENERGY STAR® guidelines for energy efficiency

**Humidity-Controlled Compartments and Sealed Snack Drawers** - Help preserve the freshness of foods

**Adjustable Spillproof Glass Shelves** - Easily accommodate party trays and platters

**Sealed Dairy Compartment** - Locks in freshness

**Gallon-Size Door Bin** - Holds milk containers, two-liter bottles and pitchers

