

Installation Instructions

ZKHSS2
Tubular Stainless Steel Handles

Before you begin—Read these instructions completely and carefully.

Note to Installer: Be sure to leave these instructions with the consumer.

Note to Consumer: Keep these instructions with your Owner's Manual for future reference.

Note to Consumer: If installing these handles on an All Refrigerator/All Freezer unit, only one handle is required.

Right hand door swing models are illustrated in these instructions. Follow these same instructions for left hand models.

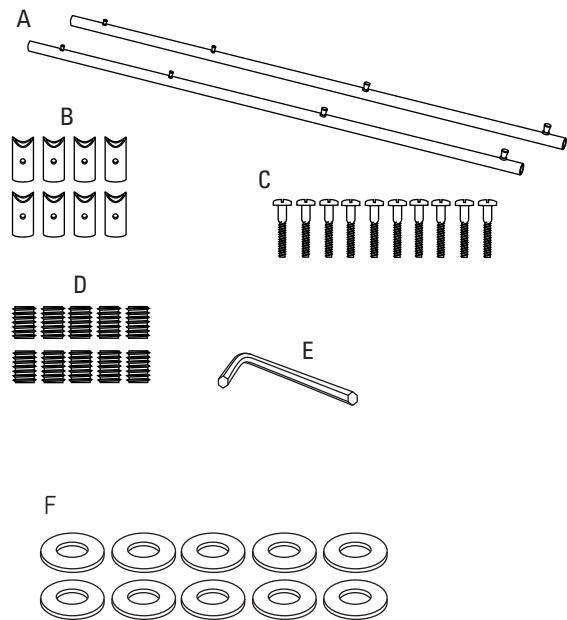
This kit provides for the installation of Tubular Stainless Steel handles on 3/4" overlay custom panels.

Tools and materials Required:

- #2 Phillips screwdrivers
- Drill and 7/32" bit and 7/8" spade bit
- Custom door panels
- Safety glasses
- Center punch
- Hammer
- Pencil

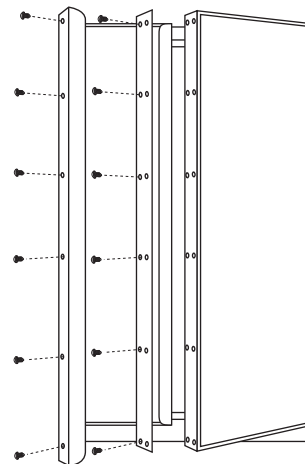
Parts List:

- A. 2 Stainless tubular handles
- B. 8 Handle standoffs
- C. 10 Screws for handle standoffs
#10-32x1" pan head machine screws (8 required, 2 extra)
- D. 10 Set screws (8 required, 2 extra)
- E. 3/32" Allen wrench for set screws
- F. 10 Plastic spacers (8 required, 2 extra)



STEP 1 REMOVE DOOR HANDLES

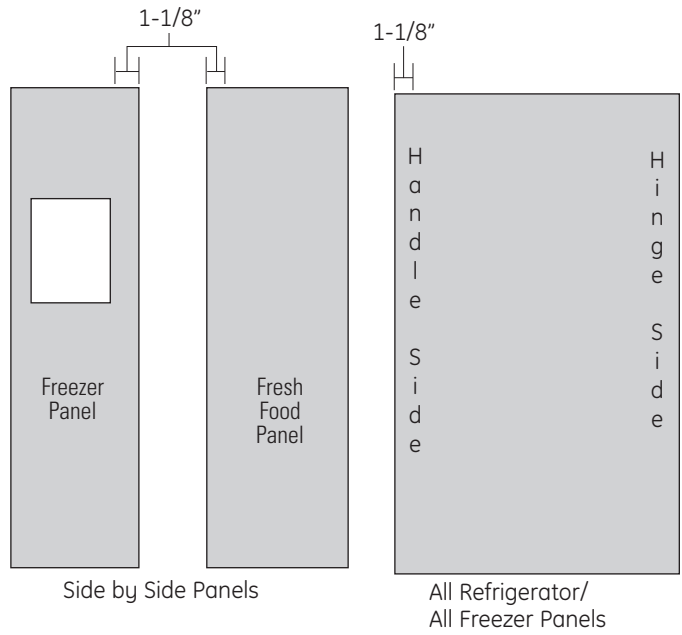
- Open refrigerator door to 90°. Remove the 6 screws holding the handle to the door.
- Remove 6 screws holding handle side trim.
- For Side by Side models, retain all screws and trim. Discard handles.
- For All Refrigerator/All Freezer models, retain all screws. Discard trim and handles.
- Follow the same procedure to remove freezer handle and trim.



STEP 2 INSTALL HANDLES ONTO PANELS

Drill Pilot Holes

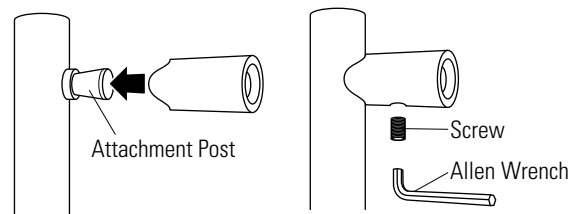
- Measure, mark and draw a line, 1-1/8" from the handle side edge, top to bottom.
- Hold the tubular handle against the appearance side, centered top to bottom and on the marked line.
- Mark the screw hole locations at the center of the handle attachment posts. Place handle over the marks to check again that holes are align to handle posts.
- Center punch to mark hole locations. Drill 7/32" pilot holes from the appearance side and through the entire panel thickness.
- Follow the same procedure to drill pilot holes on the opposite door for side by side panels.



Assemble Handles

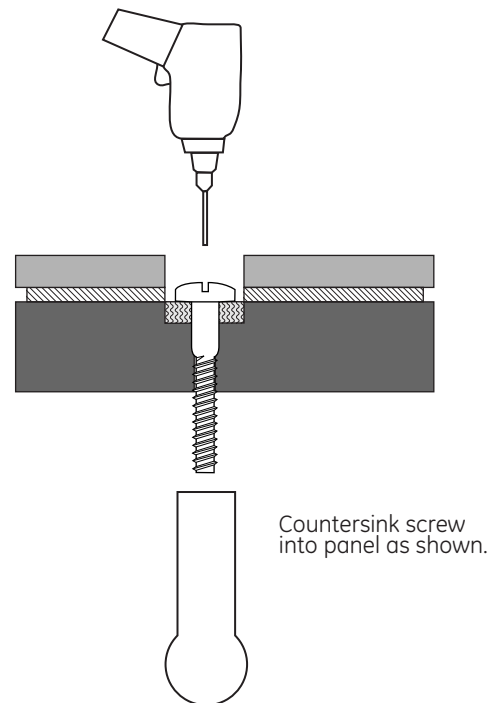
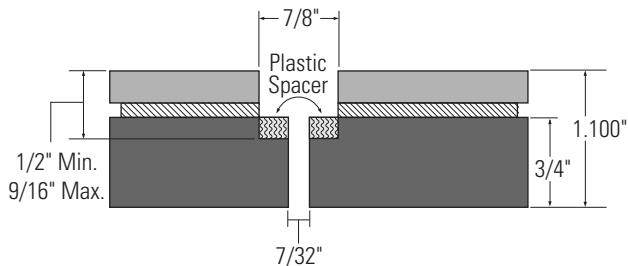
- Place a handle standoff on each attachment post on the handle. Position the screw hole on the standoff to point to the floor.
- Install set screws into the bottom of each standoff, using the Allen wrench provided. The standoff should be tight against the handle.

CAUTION: Hole locations must be exact to accept handle standoff and handle assembly.



Secure Handles to Panels

- Use a 7/8" spade bit to drill 1/2" to 9/16" max. depth into the back side of the panel. At this depth there will be enough screw threads to engage the handle on the appearance side. See illustration.
- Stand the panel up on the hinge side. Place a plastic spacer into the 7/8" opening, drop screw through the spacer.



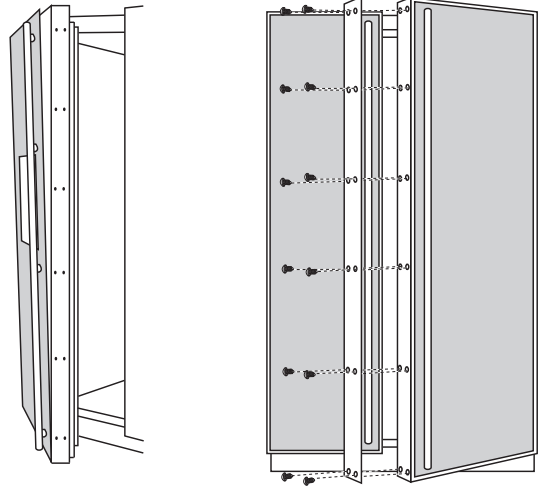
- Place handle standoffs against the mounting screws on the appearance side, drive top screw partially into the standoff.
- Drive next screw partially into the standoff. Continue installing screws to the bottom location. Alternate back to the top tightening screws one at a time until the handle is tight against the panel.

STEP 3 INSTALL ASSEMBLED HANDLES

- Slide assembled panels into the door trim.
- Secure both trims using all original screws (Side by Side models only).
- Secure new handle side trim that comes with your unit using original screws (All Refrigerator/All Freezer models only).

Dispenser Models Only:

- The dispenser controls protrude beyond the face of the freezer door. To avoid damage to the dispenser, the trim at the top of the door should be removed. Lift off trim.
- Remove the screws holding the top trim in place. Lift off trim.
- Place the freezer panel into the bottom channel and slide into the hinge side trim.
- Reinstall the top trim piece with screws.



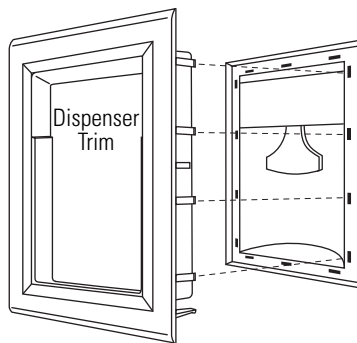
Reinstall all original screws
Side by side unit shown

STEP 4 INSTALL DISPENSER TRIM

For dispenser models only.

There are two dispenser trims shipped with your dispenser refrigerator. Note that the inside depth of the frames are different. Choose the trim marked 3/4" overlay panels.

- Press and snap the dispenser trim into the dispenser recess on the door.



NOTE: While performing installations described in this book, safety glasses or goggles should be worn.

NOTE: Product improvement is a continuing endeavor at General Electric. Therefore, materials, appearance and specifications are subject to change without notice.

NOTA: Mientras efectúa las instalaciones descritas en este libro, deben utilizarse gafas o lentes de seguridad.

NOTA: La mejora de los productos es un esfuerzo continuo para General Electric. Por lo tanto, los materiales, la apariencia y las especificaciones pueden sufrir cambios sin previo aviso.

31-46528
224D1889P013

09-08 JR



GE Consumer & Industrial
Appliances
General Electric Company
Louisville, KY 40225
ge.com