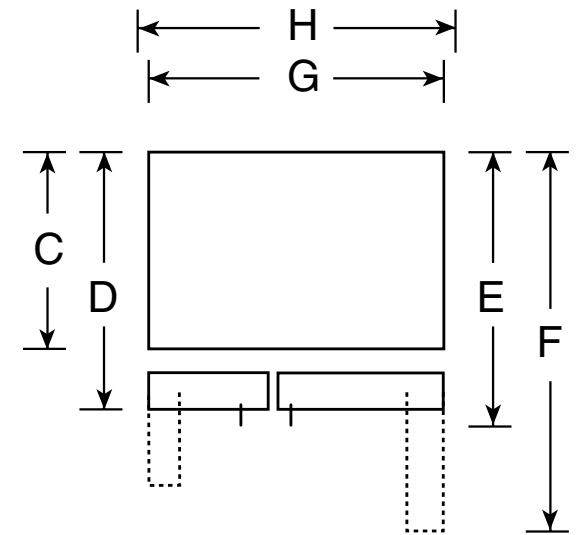
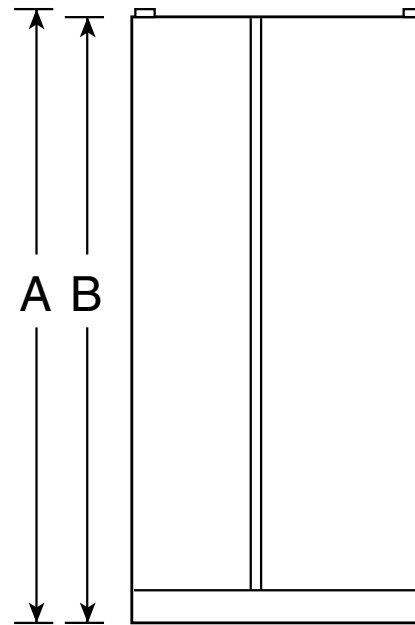


# PSS27NST

## GE Profile™ ENERGY STAR® 26.5 Cu. Ft. Stainless Side-By-Side Refrigerator with Integrated Dispenser

### Dimensions and Installation Information (in inches)

Overall Dimensions	Height to top of hinge (in.) <b>A</b>	<b>69-1/4</b>
	Height to top of case (in.) <b>B</b>	<b>68-3/4</b>
	Case depth without door (in.) <b>C†</b>	<b>28</b>
	Case depth less door handle (in.) <b>D†</b>	<b>32-1/4</b>
	Case depth with door handle (in.) <b>E†</b>	<b>34-7/8</b>
	Depth with fresh food door open 90° (in.) <b>F†</b>	<b>50-1/16</b>
	Width (in.) <b>G</b>	<b>35-3/4</b>
Air Clearances	Width with door open 90° inc. door handle (in.) <b>H</b>	<b>42-3/8</b>
	Each side (in.)	<b>1/8</b>
	Top (in.)	<b>1</b>
	Back (in.)	<b>1</b>



Top View

†Water hook-up fits in back air clearance when calculating installation depth.

If installed against a wall, allow clearance of 14-3/16" on freezer side to remove bin. To remove fresh food pans, remove door bins.

Clearance required to remove fresh food full-size pan without disassembling is 18-15/16".

Allow additional space for any necessary leveling adjustments.

For answers to your Monogram®, GE Profile™ or GE® appliance questions, visit our website at [ge.com](http://ge.com) or call GE Answer Center® service, 800.626.2000.



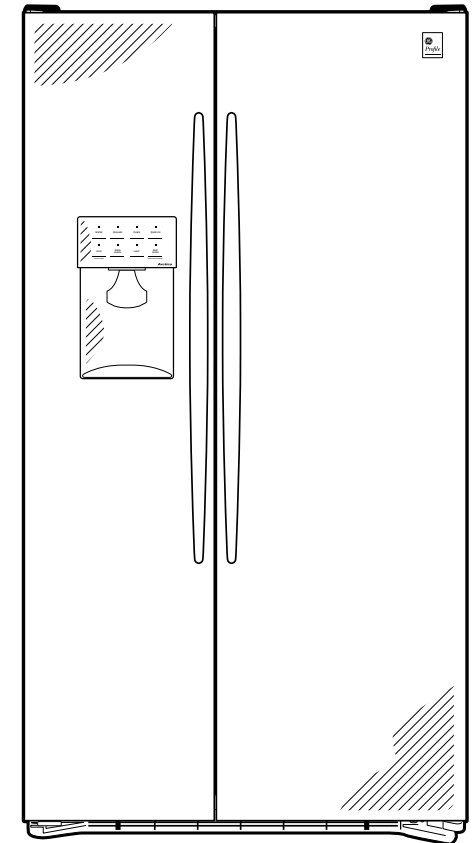
As an ENERGY STAR® partner, GE has determined that this product meets the ENERGY STAR guidelines for energy efficiency.

# PSS27NST

## GE Profile™ ENERGY STAR® 26.5 Cu. Ft. Stainless Side-By-Side Refrigerator with Integrated Dispenser

### Features and Benefits

- Stainless Steel Exterior - Convey a look of utmost polish and sophistication
- ClimateKeeper™ System - Best Temperature Management System You Can Buy!
- Integrated dispenser with LED lighting - Beveled color-matched design gives the dispenser an attractive, updated look; LED lighting provides long-lasting illumination
- CustomCool™ Technology - Chills in minutes, thaws in hours and keeps foods fresher, longer
- Electronic controls with actual temperature display - Eliminates guesswork in setting refrigerator temperatures
- Slide 'n Store™ Full-Extension Freezer Baskets - Extends 12" to 16" beyond the cabinet, providing easy loading and unloading
- Quick Ice™ Option - Makes ice up to 50% faster than normal settings-ideal for entertaining
- TurboCool™ Setting - "Revs up" the refrigerator, cooling it quickly after frequent door openings
- Integrated Ice™ System - Frees up valuable freezer space. It tilts down, providing easy access to bulk ice
- Tilt-Out Freezer Door Bins - Move forward for convenient access
- Integrated Shelf Support System - Provides strong, yet flexible support
- Model PSS27NSTSS - Stainless steel



imagination at work



As an ENERGY STAR® partner, GE has determined that this product meets the ENERGY STAR guidelines for energy efficiency.