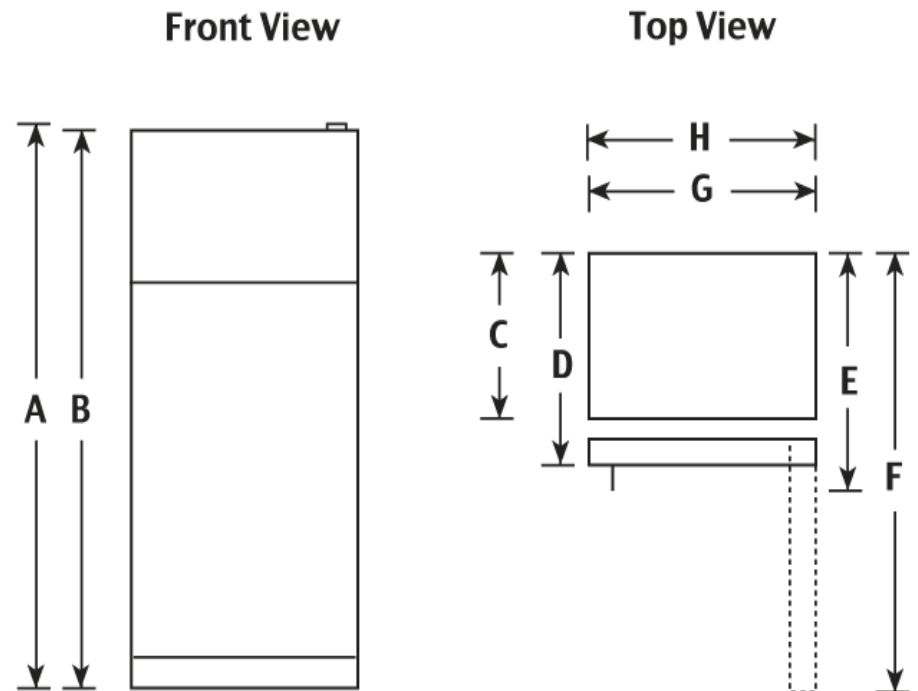


GTH17DBD

GE® ENERGY STAR® 16.5 Cu. Ft. Top-Freezer Refrigerator

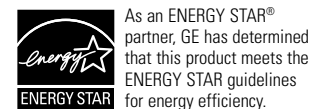
Dimensions and Installation Information

Overall Dimensions	Height to top of hinge (in.) A	64-3/4
	Height to top of case (in.) B	64-1/4
	Case depth without door (in.) C	25-7/8
	Case depth less door handle (in.) D	29-1/8
	Case depth with door handle (in.) E	31
	Depth with fresh food door open 90° (in.) F	54-7/8
	Width (in.) G	28
	Width with door open 90° with door handle (in.) H	30-1/2
Air Clearances	Each side (in.)	3/4
	Top (in.)	1
	Back (in.)	2



For answers to your Monogram®, GE Profile™ or GE® appliance questions, visit our website at geappliances.com or call GE Answer Center® service, 800.626.2000.

Dimension and installation information are shown in inches.



Specification Revised 4/13

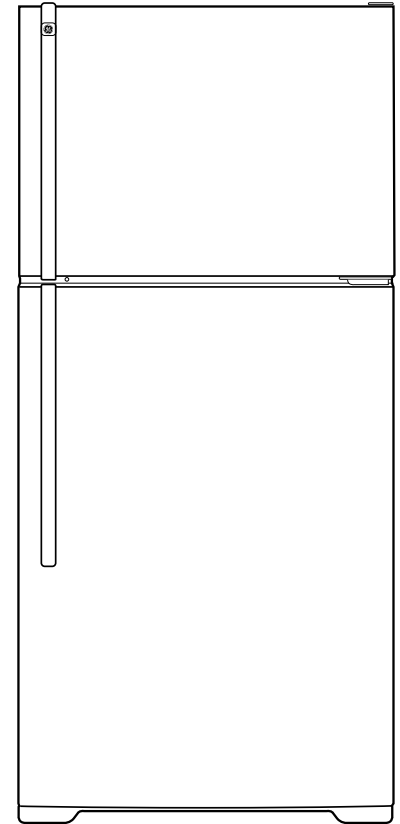
310493

GTH17DBD

GE® ENERGY STAR® 16.5 Cu. Ft. Top-Freezer Refrigerator

Features and Benefits

- GE® ENERGY STAR® 16.5 Cu. Ft. Top-Freezer Refrigerator
- Adjustable wire shelves - Moveable racks can handle a variety of foods
- Upfront temperature controls - Easy-to-use controls regulate both fresh food and freezer sections
- Gallon door storage - Larger items are easily accommodated in the door
- Clear crisper drawers - Transparent drawers make finding your favorite items quick and easy
- Wire freezer shelf - Provides additional storage for frozen foods
- Never Clean condenser - Sealed compartment keeps coils clean and simplifies maintenance
- Model GTH17DBDWW - White
- Model GTH17DBDCC - Bisque
- Model GTH17DBDBB - Black



imagination at work



As an ENERGY STAR® partner, GE has determined that this product meets the ENERGY STAR guidelines for energy efficiency.

Specification Revised 4/13

310493