



Dryers

Owner's Manual

Safety Instructions..... 2-3

Operating Instructions

- Appliance Communication 10
- Features..... 8
- Loading and Using the Dryer..... 9
- Operating Instructions 4-7
- Reversing the Door.....12, 13
- Venting the Dryer 11

Troubleshooting Tips ... 14-16

Consumer Support

- Consumer Support..... 20
- Parts and Accessories 3, 20
- Warranty..... 19



Write the model and serial number here:


Model # _____

Serial # _____

You can find them on a label on the front of the dryer behind the door.

IMPORTANT SAFETY INFORMATION.

READ ALL INSTRUCTIONS BEFORE USING.

 This is the safety alert symbol. This symbol alerts you to potential hazards that can kill you or hurt you and others. All safety messages will follow the safety alert symbol and the word "DANGER", "WARNING", or "CAUTION". These words are defined as:

 **DANGER**

Indicates a hazardous situation which, if not avoided, **will** result in death or serious injury.

 **WARNING**

Indicates a hazardous situation which, if not avoided, **could** result in death or serious injury.

 **CAUTION**

Indicates a hazardous situation which, if not avoided, **could** result in minor or moderate injury.

IMPORTANT SAFETY INSTRUCTIONS

 **WARNING**

To reduce the risk of fire, explosion, electric shock, or injury to persons when using your appliance, follow basic precautions, including the following:

- Read all instructions before using the appliance.
- DO NOT dry articles that have been previously cleaned in, washed in, soaked in or spotted with gasoline, dry-cleaning solvents, or other flammable or explosive substances, as they give off vapors that could ignite or explode.
- DO NOT allow children to play on or in this appliance. Close supervision of children is necessary when this appliance is used near children. Before the appliance is removed from service or discarded, remove the door to the drying compartment.
- DO NOT reach into the appliance if the drum is moving.
- DO NOT install or store this appliance where it will be exposed to the weather.
- DO NOT tamper with controls, repair or replace any part of this appliance or attempt any servicing unless specifically recommended in the user maintenance instructions or in published user repair instructions that you understand and have the skills to carry out.
- DO NOT use fabric softeners or products to eliminate static unless recommended by the manufacturer of the fabric softener or product.
- DO NOT use heat to dry articles containing foam rubber or similarly textured rubber-like materials.
- Clean lint screen before or after each load. DO NOT operate the dryer without the lint filter in place.
- Do not store combustible materials, gasoline or other flammable liquids near the dryer. Keep area around the exhaust opening and adjacent surrounding areas free from the accumulation of lint, dust and dirt.
- The interior of the appliance and exhaust duct should be cleaned periodically by qualified service personnel.
- DO NOT place items exposed to cooking oils in your dryer. Items contaminated with cooking oils may contribute to a chemical reaction that could cause a load to catch fire.
- Keep the floor around your appliances clean and dry to reduce the possibility of slipping.
- Unplug the appliance or turn off the circuit breaker before servicing. Pressing the **Power** or **Start/Pause** button DOES NOT disconnect power.
- DO NOT operate this appliance if it is damaged, malfunctioning, partially disassembled, or has missing or broken parts, including a damaged cord or plug.
- DO NOT spray any type of aerosol into, on or near dryer at any time. Do not use any type of spray cleaner when cleaning dryer interior. Hazardous fumes or electrical shock could occur.
- See "Electrical Connection" located in the Installation Instructions for grounding instructions.

SAVE THESE INSTRUCTIONS

ADDITIONAL GAS DRYER WARNINGS

⚠ WARNING For your safety, the information in this manual must be followed to minimize the risk of fire or explosion or to prevent damage, personal injury, or death.

- DO NOT store or use gasoline or other flammable vapors and liquids in the vicinity of this or any other appliance.
- WHAT TO DO IF YOU SMELL GAS:
 - DO NOT try to light any appliance.
 - DO NOT touch any electrical switch; DO NOT use any phone in your building.
 - Clear the room, building, or area of any occupants.
 - Immediately call your gas supplier from a neighbor's phone. Follow the gas supplier's instructions.
 - If you cannot reach your gas supplier, call the fire department.
- Installation and service must be performed by a qualified installer, service agency, or the gas supplier.

State of California Proposition 65 Warnings:

The California Safe Drinking Water and Toxic Enforcement Act requires the governor of California to publish a list of substances known to the state to cause cancer, birth defects or other reproductive harm and requires businesses to warn of potential exposure to such substances.

⚠ WARNING This product contains one or more chemicals known to the State of California to cause cancer, birth defects or other reproductive harm.

Gas appliances can cause low-level exposure to some of these substances, including benzene, carbon monoxide, formaldehyde and soot, caused primarily by the incomplete combustion of natural gas or LP fuels. Exposure to these substances can be minimized by properly venting the dryer to the outdoors.

PROPER INSTALLATION

*This dryer must be properly installed and located in accordance with the Installation Instructions before it is used. If you did not receive an Installation Instructions, you can receive one by visiting **GEAppliances.com** or by calling **800.GE.CARES** (800.432.2737).*

- Properly ground dryer to conform with all governing codes and ordinances. Follow details in Installation Instructions.
- Install or store where it will not be exposed to temperatures below freezing or exposed to the weather.
- Connect to a properly rated, protected and sized power supply circuit to avoid electrical overload.
- Remove all sharp packing items and dispose of all shipping materials properly.
- Remove the colored protective tape from the control panel.
- Do not obstruct the flow of ventilating air. Do not stack or place laundry or throw rugs against the front or back of the dryer.

Steam Water Hoses:

GE strongly recommends the use of factory specified parts. A list of factory hoses available for purchase are listed below. These hoses are manufactured and tested to meet GE specifications.

GE strongly recommends the use of new water supply hoses. Hoses degrade over time and need to be replaced every 5 years to reduce the risk of hose failures and water damage.

Parts and Accessories

Order on-line at **GEApplianceparts.com** today, 24 hours a day or by phone at **800.626.2002** during normal business hours.

| Part Number | Accessory |
|--------------------|--|
| WE25M53 | Complete Kit (hoses, Y-adapter washers) (included) |
| OR | |
| WE1M847 | Long Hose and |
| WE1M848 | Short Hose |
| PM14X10056 | Dryer door opening vent brush (not included) |
| WX14X10007 | LintEater™ Dryer rotary tube brush (not included) |
| DR07X10005 | 6' Cable |

Exhaust/Ducting:

- 1 All dryers **MUST** be exhausted to the outside to prevent large amounts of moisture and lint from being blown into the room.
- 2 Use only rigid metal 4" diameter ductwork inside the dryer cabinet and use only rigid metal 4" diameter or UL approved transition ducting between the dryer and the home duct. **USE OF PLASTIC OR OTHER COMBUSTIBLE DUCTWORK CAN CAUSE A FIRE. PUNCTURED DUCTWORK CAN CAUSE A FIRE IF IT COLLAPSES OR BECOMES OTHERWISE RESTRICTED IN USE OR DURING INSTALLATION.**

For complete details, follow the Installation Instructions.

SAVE THESE INSTRUCTIONS

Operating instructions

⚠ WARNING!

To reduce the risk of fire, electric shock, or injury to persons, read the **IMPORTANT SAFETY INSTRUCTIONS** before operating this appliance.

⚠ WARNING



Explosion Hazard

Keep flammable materials and vapors, such as gasoline, away from dryer.
DO NOT dry anything that has ever had anything flammable on it (even after washing).
 Failure to do so can result in death, explosion, or fire.

⚠ WARNING

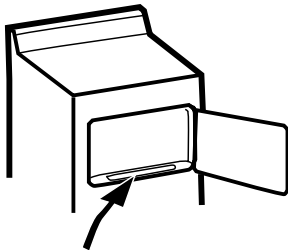


Fire Hazard

No washer can completely remove oil.
 Do not dry anything that has ever had any type of oil on it (including cooking oils).
 Items containing foam, rubber, or plastic must be dried on a clothesline or by using an Air Dry cycle.
 Failure to do so can result in death, explosion, or fire.

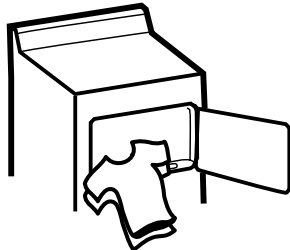
Throughout this manual, features and appearance may vary from your model.

Step 1



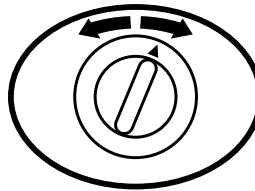
- Clean lint filter

Step 2



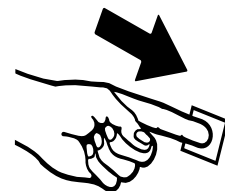
- Add clothes
- Shut door

Step 3



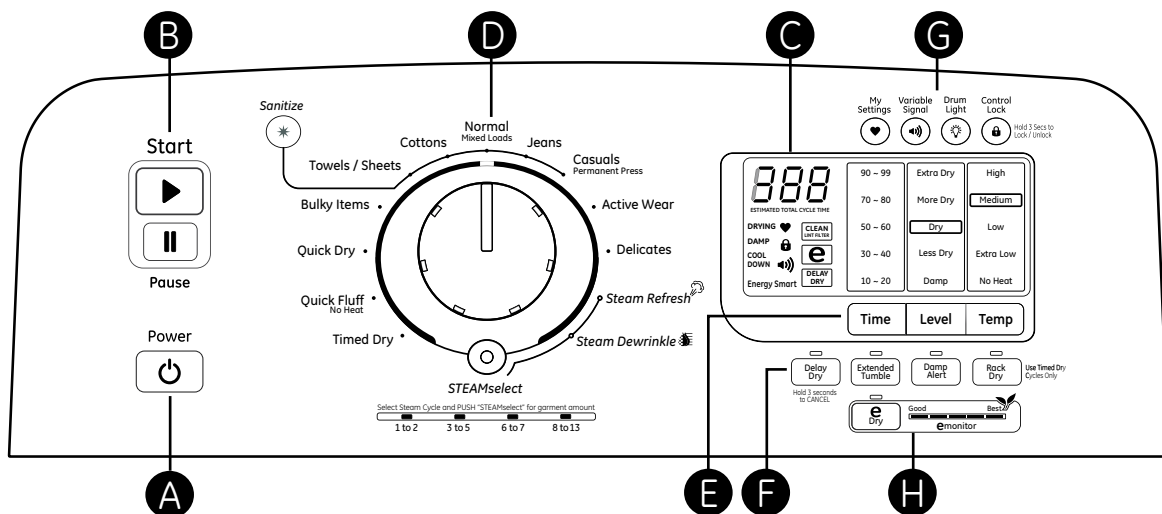
- Select drying cycle

Step 4



- Push Start

Controls





Power

Press to “wake up” the display. If the display is active, press to put the dryer into idle mode.

NOTE: Pressing **Power** does not disconnect the appliance from the power supply.



Start and Pause

Press **Start** to begin the cycle. **NOTE:** The door must be closed for the dryer to start the cycle. Pressing **Pause** will pause the cycle, the **Start** will blink and “**PAUSE**” will scroll across the LCD.

To continue the cycle, press **Start** again. To stop the cycle, hold the button for 3 seconds.



Display and Status Lights

The display shows the approximate time remaining until the end of the cycle.

In addition, this display will, “scroll” the dryer status:

- **PAUSE** The message “**PAUSE**” will scroll across the display when the dryer’s cycle is paused. The cycle may be re-started by pressing the **Start** button.
- **door** The message “**door**” will be displayed when the door is opened during the dryer’s cycle.
- **CyCLE** The message “**CyCLE**” will be displayed when the clothes are dry and the washer is recommending a preferred cycle for the next load (see **CleanSpeak** section).
- **dELAY** The message “**dELAY**” will be displayed when the Delayed Dry is initiated. It will be replaced with the estimated time when cycle starts.
- **ES** Dryer in a delay start (4 hour maximum) awaiting lower energy rates (see **About Appliance Communication - Energy Smart** section).

Cycle status lights

Shows whether the washer is in the **DRYING**, **DAMP**, or **COOL DOWN** cycle.

Feature status lights indicate:

- ♥ The **My Settings** feature is on for this cycle.
- 🔒 The dryer is locked - will blink once if you press any button or turn the cycle knob.
- 🔊 The signal is on. See the **Variable Signal** description.

Energy Smart The **Energy Smart** feature is selected. See **About Appliance Communication - Energy Smart** section.



The **Clean Lint Filter** light will stay on for 15 seconds after the cycle stops.





The **eDry** feature is selected.



A **Delay Dry** time is set.

Operating instructions

D **Drying Cycles**—Sensor cycles automatically determine fabric dryness. Timed cycles run for the selected time.

| | |
|--|--|
| Timed Dry | Set the Cycle Selector at the desired drying time. |
| Quick Fluff/No Heat | For freshening or fluffing up already dry clothing, fabric, linens and pillows. Use with No Heat . Provides 10 minutes of no-heat tumbling. |
| Quick Dry | For small loads that are needed in a hurry, such as sport or school uniforms. Can also be used if the previous cycle left some items damp, such as collars or waistbands. NOTE: On some models, the time remaining in the cycle will show counting down in the display. |
| Bulky Items | For large coats, bed spreads, mattress covers, sleeping bags and similar large/bulky items such as blankets, comforters, jackets, and small rugs. |
| Towels/Sheets* | For most towels and linens. |
| Cottons* | For cottons and most linens. |
| Normal/Mixed Loads* | For loads consisting of cottons and poly-blends. |
| Jeans* | For jeans. |
| Casuals/Permanent Press* | For wrinkle-free, permanent press, delicate items and knits. |
| Active Wear | For sports and exercise wear. |
| Delicates | For delicate items, special-care fabrics and knits. |
| Steam Refresh  | For slightly wrinkled dry garments. Significantly reduces wrinkles. NOTE: A single extremely light fabric item may need to have an additional item included in the Steam Refresh cycle to achieve optimum results. |
| Steam Dewrinkle  | For use with larger loads than Steam Refresh . Ideal for loads left in the dryer for an extended time. |
| STEAMselect | The STEAMselect button is used in conjunction with Steam Refresh and Steam Dewrinkle . As you press the button, it defines how many articles are in the dryer and adjusts the steam and cool down times accordingly. |

Steam Cycle (&) Notes:

- **Important** - The temperature setting must be set to **HIGH** and water must be turned on before running the steam cycles.
- The **Extended Tumble** option will be turned on.
- After the steam cycle, the unit will beep (if **Variable Signal** is on) and display "00".
- Do not use a steam cycle with items such as wool, leather, silk, lingerie, foam products or electric blankets.
- Do not use steam cycles on new clothes without first washing.
- Steam cycles are not intended for use with towels.

Sanitize This option reduces certain types of bacteria by 99.9%, including: Staphylococcus aureus, Pseudomonas aeruginosa and Klebsiella pneumoniae. The anti-bacterial process occurs when high heat is used during a portion of the drying cycle.

NOTE: Do not use this cycle on delicate fabrics.

*Cycles available with **Sanitize** option.

E **Settings**

Individual settings for **Timed Dry** cycle minutes (**Time**), dryness level (**Level**), and temperature (**Temp**) can be set from the minimum (lowest in column) to maximum (highest in column). In general, the higher up the column, the more energy will be used.

Time - Selection only for Timed cycles.

Each "setting" allows you to specify a lower (1 tap) or an upper (2 taps) time working your way from a minimum 10 minute to a maximum 99 minute dry time (10, 20, 30, 40, . . . 80, 90, 99, 10 . . .)

Dryness Level - Selection only used for Sensor cycles. Timed cycles run for the selected time.

| | |
|------------------|---|
| Extra Dry | Use for heavy-duty fabrics or items that should be very dry, such as towels. |
| More Dry | Use for heavy-duty or mixed type fabrics. |
| Dry | Use for a normal dryness level suitable for most loads. This is the preferred cycle for energy savings. |
| Less Dry | Use for lighter fabrics. |
| Damp | For leaving items partially damp. |

E Temperature

| | |
|------------------|---|
| High | For regular to heavy cottons. NOTE: Steam Dewrinkle and Steam Refresh require the High temperature setting. |
| Medium | For synthetics, blends, delicates and items labeled permanent press. |
| Low | For delicates, synthetics and items labeled <i>tumble dry low</i> . |
| Extra Low | For delicates, synthetics and items labeled <i>tumble dry low</i> . |
| No Heat | For fluffing items without heat. For use only with the Timed Dry cycles. |

F Options

Delay Dry

As the **Delay Dry** button is repeatedly pressed, the delay time sets to from 1 to 9 hours, and back to clear (0). After selecting the delay time, press **Start** and the delay time will count down the time remaining until the cycle starts.

If the **Delay Dry** button is pressed for 3 seconds, it clears (regardless of the delay time) or terminates a delaying cycle.

Extended Tumble

Use this option to minimize the wrinkles in clothes. It provides 1 hour of no-heat tumbling after the clothes are dry. If you are using the cycle **Signal** and you select the **Extended Tumble** option, a signal will sound at the end of the drying time and every 5 minutes during the **Extended Tumble** cycle. This will remind you that it is time to remove the clothes.

Damp Alert

This option causes the dryer to beep when clothes have dried to a damp level. Remove items that you wish to hang dry. The **Damp Alert** will only beep when this option is selected (but the dry cycle will keep running). Removing clothes and hanging them when they are damp, can reduce the need to iron some items. The light beside the button will be lit when **Damp Alert** is on.

Rack Dry

Rack Dry is only allowed for timed cycles (**Timed Dry & Quick Fluff**). The light turns off if cycle knob is turned to a non-timed cycle.

G My Settings ♥

As the cycle selector knob is turned, the **Time** (*Timed Dry*), **Level** (*Dryness Level*), and **Temp** (*Temperature*) settings change to automatic pre-set default settings. If you desire a different setting, press the appropriate button(s). Then press and hold the **My Settings** button for 3 seconds. The status heart and button lights will turn on and the dryer will save these settings for that knob selection. In the future, when you turn the selector knob to that cycle, your settings will be automatically recalled.

To temporarily (for this load) return to the pre-set default settings, depress the **My Settings** button for 1/2 second. The status heart and button lights will turn off and the options will change back to these defaults. To make these default settings permanent, hold the **My Settings** button again for 3 seconds to make them your preferred settings (the lights will turn back on).

NOTE: Variable Signal volume cannot be set for **My Settings**.

Variable Signal 🔊

Use the **Variable Signal** button to change the volume of the end of cycle and control signals. Press the button until you reach the desired volume (low-med-high) or off. The clothes should be removed when the beeper goes off so wrinkles do not set in.

NOTE:

- Remove garments promptly at the sound of signal. Place clothes on hangers so wrinkles will not set in.
- Use the **Variable Signal** especially when drying fabrics like polyester, knits and permanent press. These fabrics should be removed so wrinkles will not set in.

Drum Light 💡

The drum light will go on if the **Drum Light** button is pushed or the door is opened. It will stay on until the door is shut or the **Drum Light** or **Power** button is pushed.

Control Lock 🔒

You can lock the controls to prevent any selections from being made. Or you can lock the controls after you have started a cycle. Children cannot accidentally start the dryer by touching buttons with this option selected.

To lock the dryer controls, press and hold the **Control Lock** button for 3 seconds. The control lock icon will light up when locked.

To unlock the dryer controls, press and hold the **Control Lock** button for 3 seconds.

NOTE: The Power button can still be used when the machine is locked.

H eDry

Available for **Bulky Items, Towels/Sheets, Cottons, Normal/Mixed Loads, Jeans, Casuals/Permanent Press, Active Wear**, and **Delicates**. When the **eDry** button is pressed, cycle settings change to reduce the total energy consumption of the selected sensor cycle. **NOTE: Cycle times will change when eDry is selected.**

The **eMonitor** lights display the relative energy use of your selected cycle and options. They are provided as an energy guide and range from Good (1 light) to Better (5 lights). Cycle (time), dryness level, temperature, and additional tumble options can increase or decrease your energy efficiency. Some special cycles will not provide a display.

About the dryer features.

Sensor Dry

This feature is activated in all but the Timed (**Timed Dry** & **Quick Fluff**) and Steam (**Steam Refresh** & **Steam Dewrinkle**) cycles.

The **Sensor Dry** provides greater drying accuracy than standard machines, resulting in shorter dry times and better clothes care. As the clothes tumble, they touch a moisture sensor. The sensor will stop the heating cycle as soon as the clothes have reached the selected dryness.

This dryer will adjust the initial estimated drying time of the sensor dry cycles as it “learns” its installation and usage profile. Please allow several weeks for the dryer to customize itself to “you”.

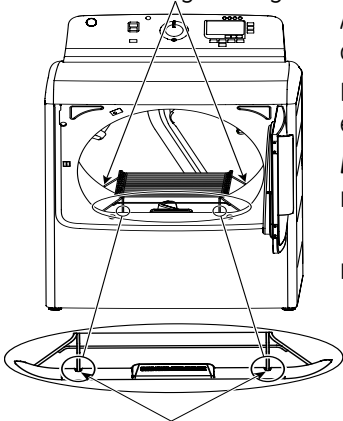
Time Dry

This feature is activated in **Timed Dry** & **Quick Fluff** cycles. The time (10, 20, 30, 40, . . . 80, 90, 99) is specified via the **Time** button.

Steam Cycle

This feature is activated in **Steam Refresh** & **Steam Dewrinkle** cycles. Use **STEAMselect** to indicate the number articles.

Two back legs on the rear wall angled ledge



Secure front two inner straight legs into the oval holes on both sides of the lint filter handle

Drying Rack (on some models)

A handy drying rack may be used for drying delicate items such as washable sweaters.

Hook the rack over the lint filter so the rack extends into the dryer drum.

NOTE:

- The drying rack must be used with the **Timed Cycle**.
- Do not use this drying rack when there are other clothes in the dryer.

To use the drying rack:

- 1** Insert the drying rack into the dryer opening with the two leg side toward the back and four leg side toward the front.
- 2** Place the two back legs on the rear wall angled ledge.
- 3** Secure front two inner straight legs into the oval holes on both sides of the lint filter handle.

NOTE: Rotate the dryer drum by hand clockwise to make sure the baffles clear the rack.

Stainless Steel Drum

The stainless steel used to make the dryer drum provides the highest reliability available in a GE dryer. If the dryer drum should be scratched

or dented during normal use, the drum will not rust or corrode. These surface blemishes will not affect the function or durability of the drum.

Drum Light

The drum light is an LED light. Replacement must be done by a qualified technician.

About loading and using the dryer.

Always follow the fabric manufacturer's care label when laundering.



Sorting and Loading Hints

As a general rule, if clothes are sorted properly for the washer, they are sorted properly for the dryer.

Do not add fabric softener sheets once the load has become warm. They may cause fabric softener stains. Bounce® Fabric Conditioner Dryer Sheets have been approved for use in all GE Dryers when used in accordance with the manufacturer's instructions.

Do not overload. This wastes energy and causes wrinkling.

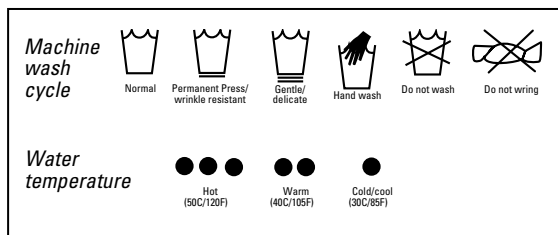
Do not dry the following items: fiberglass items, woolens, rubber-coated items, plastics, items with plastic trim and foam-filled items.



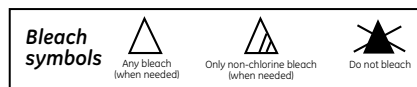
Fabric Care Labels

Below are fabric care label "symbols" that affect the clothing you will be laundering.

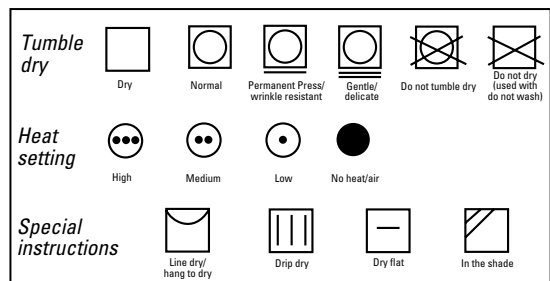
WASH LABELS



BLEACH LABELS



DRY LABELS



Care and cleaning of the dryer

The Exterior: Wipe or dust any spills or washing compounds with a damp cloth. Dryer control panel and finishes may be damaged by some laundry pretreatment soil and stain remover products. Apply these products away from the dryer. The fabric may then be washed and dried normally. Damage to your dryer caused by these products is not covered by your warranty.

The Lint Filter: Clean the lint filter before each use. Remove by pulling straight up. Run your fingers across the filter. A waxy buildup may form on the lint filter from using dryer added fabric softener sheets. To remove this buildup, wash the lint screen in warm, soapy water. Dry thoroughly and replace. Do not operate the dryer without the lint filter in place. Vacuum the lint from the dryer lint filter area if you notice a change in dryer performance.



Stainless Steel: To clean stainless steel surfaces, use a damp cloth with a mild, non-abrasive cleaner suitable for stainless steel surfaces. Remove the cleaner residue, and then dry with a clean cloth.

The Exhaust Duct: Inspect and clean the exhaust ducting at least once a year to prevent clogging. A partially clogged exhaust can lengthen the drying time.

To clean the duct, follow these steps:

- 1 Turn off electrical supply by disconnecting the plug from the wall socket.
- 2 Disconnect the duct from the dryer.
- 3 Vacuum the duct with the hose attachment and reconnect the duct.

The Exhaust Hood: Check from the outside that the flaps of the hood move freely when operating. Make sure that there is not wildlife (birds, insects, etc.) nesting inside the duct or hood.

About appliance communication.

Energy Smart™

In some select locations, electric utilities are beginning to run consumer trials where they communicate directly with household appliances to reduce energy consumption during periods of high energy costs. To communicate with an electric utility, your home would need to be equipped with a Smart Electric Meter, and your appliance would need to have an Appliance Communication Module (**ACM**) installed. Smart Meters and **ACM**'s are currently not available directly to consumers. Consumers need to be solicited by their electric utility before they can participate in field trials testing these new communication solutions.

If you are part of a previously arranged electric utility trial where your utility is in communication with your appliances, your appliance will receive energy reduction signals from the utility. When the energy reduction signal has been received, your appliance will display an "ES" on the display and/or the **Energy Smart** icon will illuminate on the front panel. The appliance will respond by reducing energy consumption or delaying the start of the cycle.

The **Energy Smart** mode can be overridden by:

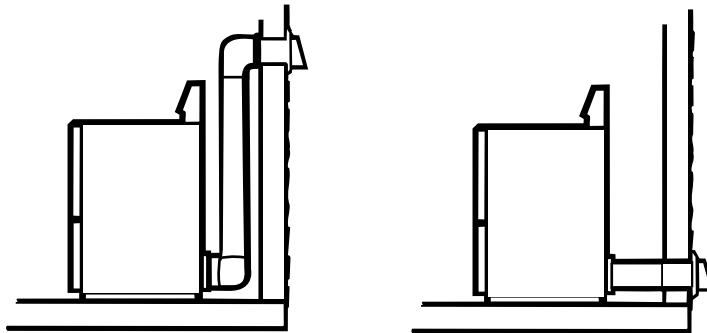
- Holding the **Delay Dry** button for 3 seconds to return the dryer to normal operation.

Energy Smart installation and system connection instructions are included with the **ACM**.

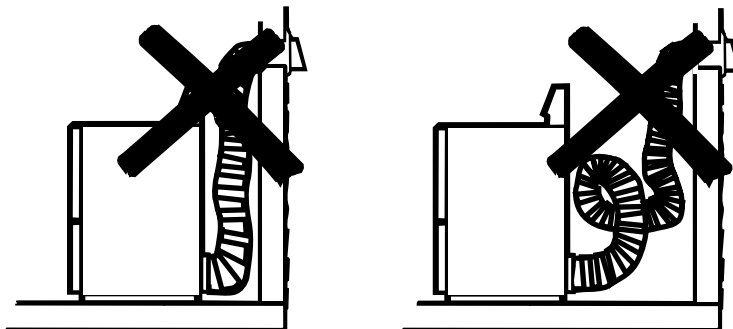
For the best drying performance, the dryer needs to be properly vented. **The dryer will use more energy and run longer if it is not vented to the below specifications. Carefully follow the details on Exhausting in the Installation Instructions.**

- Use only rigid metal 4" diameter ductwork inside the dryer cabinet. Use only rigid metal or UL listed flexible metal 4" diameter ductwork for exhausting to the outside. Minimize flexible ductwork sections to increase dryer efficiency.
- Do not use plastic or other combustible ductwork.
- Use the shortest length possible.
- Do not crush or collapse.
- Avoid resting the duct on sharp objects.
- **Venting must conform to local building codes.**

Correct Venting



Incorrect Venting



About reversing the door.

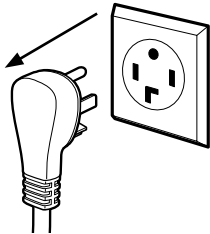
Reversing the Door

Tools needed:

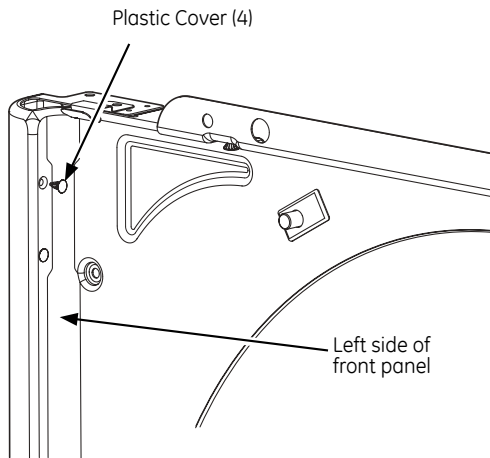
- Standard #2 Phillips screwdriver
- Tape-tipped putty knife
- Small flat blade screwdriver

Before you Start

Unplug the dryer from its electrical outlet.

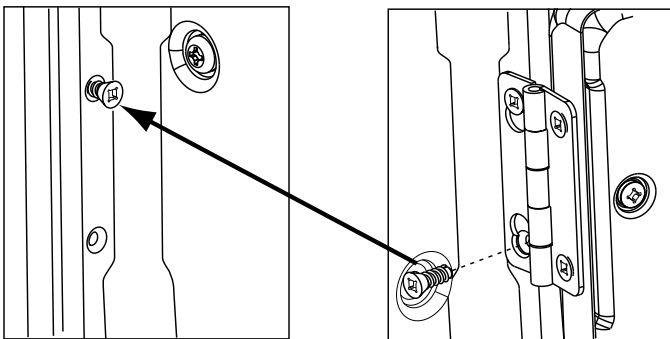


- 1** Open the door approximately 170 degrees. With a putty knife, remove the 4 plastic covers located along the left side of the front panel and set them aside.

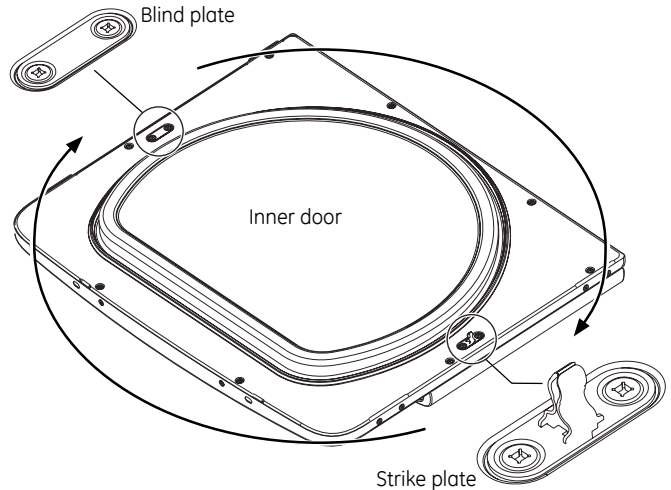


- 2** Remove the bottom screw from each hinge (right side) and partially insert them into the top left side hinge holes.

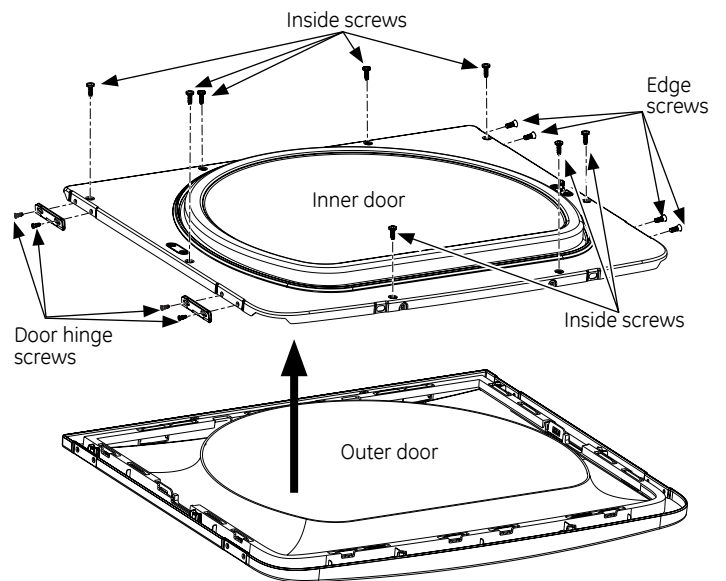
NOTE: All 4 front panel hinge screws will now be in the top hinge holes - 2 on the left and 2 on the right.



- 3** Loosen the bottom 2 right side hinge screws. Remove the door and place it on a protected flat surface to avoid any damage. Remove both the Blind Plate and the Strike Plate and install them in opposite positions.

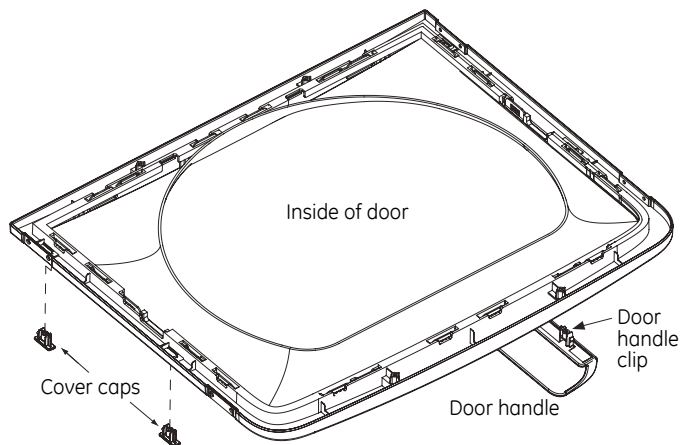


- 4** Remove the 4 door hinge screws, 4 edge screws, and 8 inside screws. Lift the inner door upwards using a flat blade screwdriver.

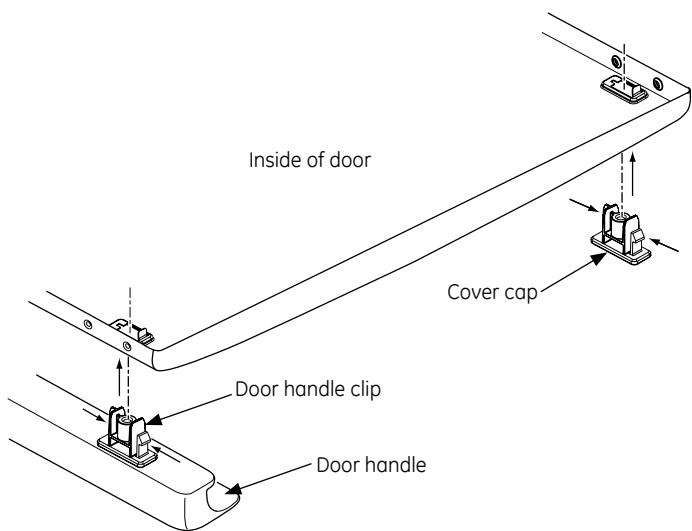


5 Remove and swap the 2 cover caps and door handle from the outer door:

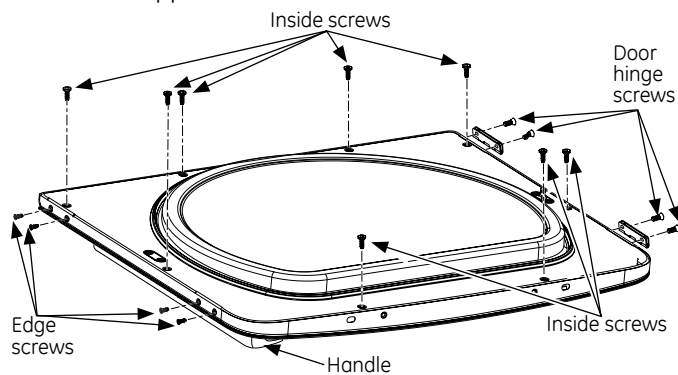
- A.** Squeeze the tabs on the inside of the door handle clips. Push clips through the outer door.
- B.** Squeeze the tabs on the inside of the cover caps. Push caps through the outer door.



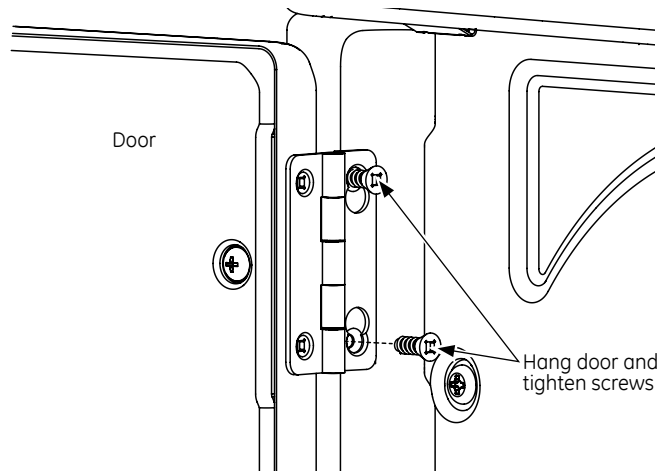
- C.** Push the door handle clips into the openings on the opposite side of the outer door making sure you flip the handle so it curves to the inside.
- D.** Push the cover caps into the openings on the outer door where the handle was removed.



6 With the cover caps and door handle in place, mount the inner door back into the outer door with the screws removed in step 4. Make sure you mount the hinges on the side opposite the handle.



7 Mount the assembled door on the 2 upper left side hinge screws installed in step 2. Move the hinge screws loosened in step 3 into the lower left side screw holes and firmly tighten all 4 screws.

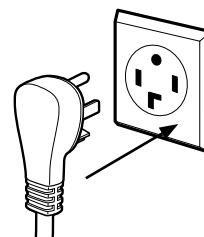


8 Install the 4 plastic caps removed in step 1 into the 4 right side front panel holes.

NOTE: To return the door to the original setup, follow these instructions, swapping "left" and "right".

When you finish

Plug the dryer back into its electrical outlet.



Before you call for service...



Troubleshooting Tips
Save time and money! Review the charts on the following pages, or visit GEAppliances.com. You may not need to call for service.

| Problem | Possible Causes | What To Do |
|--|--|---|
| Dryer doesn't start | Dryer is unplugged | <ul style="list-style-type: none"> • Make sure the dryer plug is pushed completely into the outlet. |
| | House Fuse is blown/circuit breaker is tripped | <ul style="list-style-type: none"> • Check the house fuse/circuit breaker box and replace fuse or reset breaker. NOTE: Most electric dryers use two fuses/breakers. |
| | Dryer fuse blown | <ul style="list-style-type: none"> • The single (Gas) or one of the two (Electric) fuses in the rear of the backsplash blew because the house circuit protection didn't work. Have a qualified technician check for power at outlet. |
| Dryer doesn't heat | House Fuse is blown/circuit breaker is tripped; the dryer may tumble but not heat | <ul style="list-style-type: none"> • Check the house fuse/circuit breaker box and replace both fuses or reset both breakers. Your dryer may tumble if only one fuse is blown or one breaker is tripped. |
| | Gas service is off | <ul style="list-style-type: none"> • Make sure gas shutoff at dryer and main shutoff are fully open. |
| | No heat temperature selected | <ul style="list-style-type: none"> • Select another heat setting. |
| Dryer shakes or makes noise | Some shaking/noise is normal. Dryer may be sitting unevenly | <ul style="list-style-type: none"> • Move dryer to an even floor space, or adjust leveling legs as necessary until even. |
| Greasy spots on clothes | Improper use of fabric softener | <ul style="list-style-type: none"> • Follow directions on fabric softener package. |
| | Drying dirty items with clean ones | <ul style="list-style-type: none"> • Use your dryer to dry only clean items. Dirty items can stain clean items and the dryer. |
| | Clothes were not completely clean | <ul style="list-style-type: none"> • Sometimes stains which cannot be seen when the clothes are wet appear after drying. Use proper washing procedures before drying. |
| Lint on clothes | Lint filter is full | <ul style="list-style-type: none"> • Clean lint screen before each load. |
| | Improper sorting | <ul style="list-style-type: none"> • Sort lint producers (like chenille) from lint collectors (like corduroy). |
| | Static electricity can attract lint | <ul style="list-style-type: none"> • See suggestions in this section under Static occurs. |
| | Overloading | <ul style="list-style-type: none"> • Separate large loads into smaller ones. |
| | Paper, tissue, etc., left in pockets | <ul style="list-style-type: none"> • Empty all pockets before laundering clothes. |
| Static occurs | No fabric softener was used | <ul style="list-style-type: none"> • Try a fabric softener. • Bounce® Fabric Conditioner Dryer Sheets have been approved for use in all GE Dryers when used in accordance with the manufacturer's instructions. |
| | Over-drying | <ul style="list-style-type: none"> • Try a fabric softener. • Adjust setting to Less Dry or Damp. |
| | Synthetics, permanent press and blends can cause static | <ul style="list-style-type: none"> • Try a fabric softener. |
| Inconsistent drying times | Type of heat | <ul style="list-style-type: none"> • Automatic drying times will vary according to the type of heat used (electric, natural or LP gas), size of load, types of fabrics, wetness of clothes and condition of exhaust ducts. |
| The Dry dryness level was chosen but load is still damp | Load consists of a mixture of heavy and light fabrics | <ul style="list-style-type: none"> • When combining heavy and light fabrics in a load, choose More Dry if you are using a sensor cycle. |
| | Exhaust system is blocked | <ul style="list-style-type: none"> • Inspect and clean exhaust system. |



| Problem | Possible Causes | What To Do |
|--|--|--|
| Clothes take too long to dry | Improper sorting | <ul style="list-style-type: none"> Separate heavy items from lightweight items (generally, a well-sorted washer load is a well-sorted dryer load). |
| | Large loads of heavy fabrics (like beach towels) | <ul style="list-style-type: none"> Large, heavy fabrics contain more moisture and take longer to dry. Separate large, heavy fabrics into smaller loads to speed drying time. |
| | Controls improperly set | <ul style="list-style-type: none"> Match control settings to the load you are drying. |
| | Lint filter is full | <ul style="list-style-type: none"> Clean lint filter before every load. |
| | Improper or obstructed ducting | <ul style="list-style-type: none"> Check installation instructions for proper ducting/venting. Make sure ducting is clean, free of kinks and unobstructed. Check to see if outside wall damper operates easily. Check the Installation Instructions to make sure the dryer venting is correct. |
| | Blown fuses or tripped circuit breaker | <ul style="list-style-type: none"> Replace fuses or reset circuit breakers. Electric dryers use 2 fuses/breakers, make sure both are operating. |
| | Overloading/combining loads | <ul style="list-style-type: none"> Do not put more than one washer load in the dryer at a time. |
| Clothes are wrinkled | Over-drying | <ul style="list-style-type: none"> Select a shorter drying time. Remove items while they still hold a slight amount of moisture. Select a Less Dry or Damp Dry setting. |
| | Letting items sit in dryer after cycle ends | <ul style="list-style-type: none"> Remove items when cycle ends and fold or hang immediately. |
| | Overloading | <ul style="list-style-type: none"> Separate large loads into smaller ones. |
| Clothes shrink | Some fabrics will naturally shrink when washed. Others can be safely washed, but will shrink in the dryer | <ul style="list-style-type: none"> To avoid shrinkage, follow garment care labels exactly. Some items may be pressed back into shape after drying. If you are concerned about shrinkage in a particular item, do not machine wash or tumble dry it |
| Water seen on inside of door and top of lint filter when opening door after steam cycle | Steam condenses on these surfaces | <ul style="list-style-type: none"> This is normal. |
| Small areas on clothes are damp after steam cycle | Steam condenses on inner drum | <ul style="list-style-type: none"> If using the Steam Dewrinkle cycle, manually reduce the cycle time. If using the Steam Refresh cycle, add more garments to the load. |
| Collars and waistbands still wet at end of cycle | The dryness monitor senses that the body of the clothes is dry | <ul style="list-style-type: none"> Choose Speed Dry or Timed Dry to dry damp collars and waistbands. In the future, when drying a load with collars and waistbands, choose More Dry. |
| Slight variation in metallic color | This is normal | <ul style="list-style-type: none"> Due to the metallic properties of paint used for this unique product, slight variations of color may occur due to viewing angles and lighting conditions. |

Before you call for service...



| Problem | Possible Causes | What To Do |
|---|---|--|
| <i>Small amount of water on floor in front of dryer</i> | Inadequate load size for steam cycle selected, excess steam condenses inside cabinet and leaks out | <ul style="list-style-type: none"> If using the Steam Dewrinkle cycle, manually reduce time. If using the Steam Refresh cycle, add more garments to the load. |
| <i>Water on floor in back of dryer</i> | Loose water hose connection to valve | <ul style="list-style-type: none"> Tighten connection. |
| | Hose missing rubber washer at connection with valve | <ul style="list-style-type: none"> Install rubber washer provided with hose. |
| <i>Water drips from door when opened after a Steam Cycle</i> | Steam condenses on inner door | <ul style="list-style-type: none"> This is normal. |
| <i>Cannot see steam at beginning of cycle</i> | Steam released at different time in cycle | <ul style="list-style-type: none"> This is normal. |
| <i>Cannot see steam at any time during the cycle</i> | The steam nozzle might be clogged with debris from your water supply | <ul style="list-style-type: none"> Call 800.GE.CARES to order nozzle replacement kit WE25M71 or to request a service technician to replace this for you. |
| <i>Garments still wrinkled after steam cycle</i> | Too many garments | <ul style="list-style-type: none"> Load fewer garments; manually increase time. |
| <i>Garments are wet after Steam cycle</i> | Lint filter not clean | <ul style="list-style-type: none"> Clean lint filter |
| | Load is children/infant garments | <ul style="list-style-type: none"> Use the Steam Refresh cycle. |
| <i>No numbers displayed during cycle, only lights</i> | Dryer is continuously monitoring the amount of moisture in the clothes | <ul style="list-style-type: none"> This is normal. When the dryer senses a low level of moisture in the load, the dryer will display the dry time remaining. |
| <i>Time Remaining jumped to a lower number</i> | The estimated time may change when a smaller load than usual is drying | <ul style="list-style-type: none"> This is normal. |
| <i>Dryer is running but 000 is displayed in Time Remaining</i> | The Extended Tumble option/ Steam Refresh cycle was chosen | <ul style="list-style-type: none"> This is normal. During Extended Tumble option/Steam Refresh cycle, the time remaining is not displayed. The extended tumble option lasts approximately 60 minutes. |
| <i>Clothes are still wet and dryer shuts off after a short time</i> | The door was opened mid-cycle. The load was then removed from the dryer and a new load put in without selecting a new cycle | <ul style="list-style-type: none"> A dry cycle must be re-selected each time a new load is put in. |
| | Small load | <ul style="list-style-type: none"> When drying 3 items or less, choose Speed Dry or Timed Dry. |
| | Load was already dry except for collars and waistbands | <ul style="list-style-type: none"> Choose Speed Dry or Timed Dry to dry damp collars and waistbands. In the future, when drying a load with collars and waistbands, choose More Dry. |
| | Dryer is not level | <ul style="list-style-type: none"> Move dryer to an even floor space or adjust leveling legs as necessary until even. |
| <i>Dryer turns off</i> | Very small load (such as one item) is not activating the dry sensor | <ul style="list-style-type: none"> Use the Timed Dry cycle option, select the desired dry time. |

Notes.

GE Dryer Warranty.



All warranty support provided by our Factory Service Centers, or an authorized Customer Care® technician. To schedule service, on-line, 24 hours a day, visit us at **GEAppliances.com** or call **800.GE.CARES** (800.432.2737). Please have serial number and model number available when calling for service.

Staple your receipt here.
Proof of the original purchase date is needed to obtain support under the warranty.

Servicing your appliance may require the use of the onboard data port for diagnostics. This gives a GE Factory Service technician the ability to quickly diagnose any issues with your appliance and helps GE improve its products by providing GE with information on your appliance. If you do not want your appliance data to be sent to GE, please advise your technician NOT to submit the data to GE at the time of service.

For The Period Of: GE Will Replace:

One Year

From the date of the original purchase

Any part of the dryer which fails due to a defect in materials or workmanship. During this **limited one-year warranty**, GE will also provide, **free of charge**, all labor and related service costs to replace the defective part.

Second Year

From the date of the original purchase

Any part of the dryer which fails due to a defect in materials or workmanship. During this **additional one-year limited warranty**, you will be responsible for any labor or related service costs.

Second through Fifth Year

From the date of the original purchase

The extra large or super capacity dryer drum and main electronic control board, if any of these parts should fail due to a defect in materials or workmanship. **During this additional four-year limited warranty**, you will be responsible for any labor or related service costs.

What GE Will Not Cover:

- Service trips to your home to teach you how to use the product.
- Improper installation, delivery or maintenance.
- Failure of the product if it is abused, misused, or used for other than the intended purpose or used commercially.
- Replacement of house fuses or resetting of circuit breakers.
- Damage to the product caused by accident, fire, floods or acts of God.
- Incidental or consequential damage caused by possible defects with this appliance.
- Damage caused after delivery.
- Product not accessible to provide required service.
- Defects or damage due to operation in freezing temperatures.
- Products which are not defective or broken, or which are working as described in the Owner's Manual.

EXCLUSION OF IMPLIED WARRANTIES—Your sole and exclusive remedy is product repair as provided in this Limited Warranty. Any implied warranties, including the implied warranties of merchantability or fitness for a particular purpose, are limited to one year or the shortest period allowed by law.

This warranty is extended to the original purchaser and any succeeding owner for products purchased for home use within the USA. If the product is located in an area where service by a GE Authorized Servicer is not available, you may be responsible for a trip charge or you may be required to bring the product to an Authorized GE Service location for service. In Alaska, the warranty excludes the cost of shipping or service calls to your home.

Some states do not allow the exclusion or limitation of incidental or consequential damages. This warranty gives you specific legal rights, and you may also have other rights which vary from state to state. To know what your legal rights are, consult your local or state consumer affairs office or your state's Attorney General.

Warrantor: General Electric Company, Louisville, KY 40225

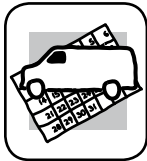
Consumer Support.



GE Appliances Website

GEAppliances.com

Have a question or need assistance with your appliance? Try the GE Appliances Website 24 hours a day, any day of the year! For greater convenience and faster service, you can now download Owner's Manuals, order parts or even schedule service on-line.



Schedule Service

GEAppliances.com

Expert GE repair service is only one step away from your door. Get on-line and schedule your service at your convenience 24 hours any day of the year! Or call **800.GE.CARES** (800.432.2737) during normal business hours.



Real Life Design Studio

GEAppliances.com

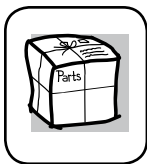
GE supports the Universal Design concept—products, services and environments that can be used by people of all ages, sizes and capabilities. We recognize the need to design for a wide range of physical and mental abilities and impairments. For details of GE's Universal Design applications, including kitchen design ideas for people with disabilities, check out our Website today. For the hearing impaired, please call **800.TDD.GEAC** (800.833.4322).



Extended Warranties

GEAppliances.com

Purchase a GE extended warranty and learn about special discounts that are available while your warranty is still in effect. You can purchase it on-line anytime, or call **800.626.2224** during normal business hours. GE Consumer Home Services will still be there after your warranty expires.



Parts and Accessories

GEApplianceparts.com

Individuals qualified to service their own appliances can have parts or accessories sent directly to their homes (VISA, MasterCard and Discover cards are accepted). Order on-line today, 24 hours every day or by phone at 800.626.2002 during normal business hours.

Instructions contained in this manual cover procedures to be performed by any user. Other servicing generally should be referred to qualified service personnel. Caution must be exercised, since improper servicing may cause unsafe operation.



Contact Us

GEAppliances.com

If you are not satisfied with the service you receive from GE, contact us on our Website with all the details including your phone number, or write to:

General Manager, Customer Relations
GE Appliances, Appliance Park
Louisville, KY 40225



Register Your Appliance

GEAppliances.com

Register your new appliance on-line—at your convenience! Timely product registration will allow for enhanced communication and prompt service under the terms of your warranty, should the need arise. You may also mail in the pre-printed registration card included in the packing material.