

# GTW680BSJ

## GE® Series 4.6 DOE Cu. Ft. Stainless Steel Capacity Washer

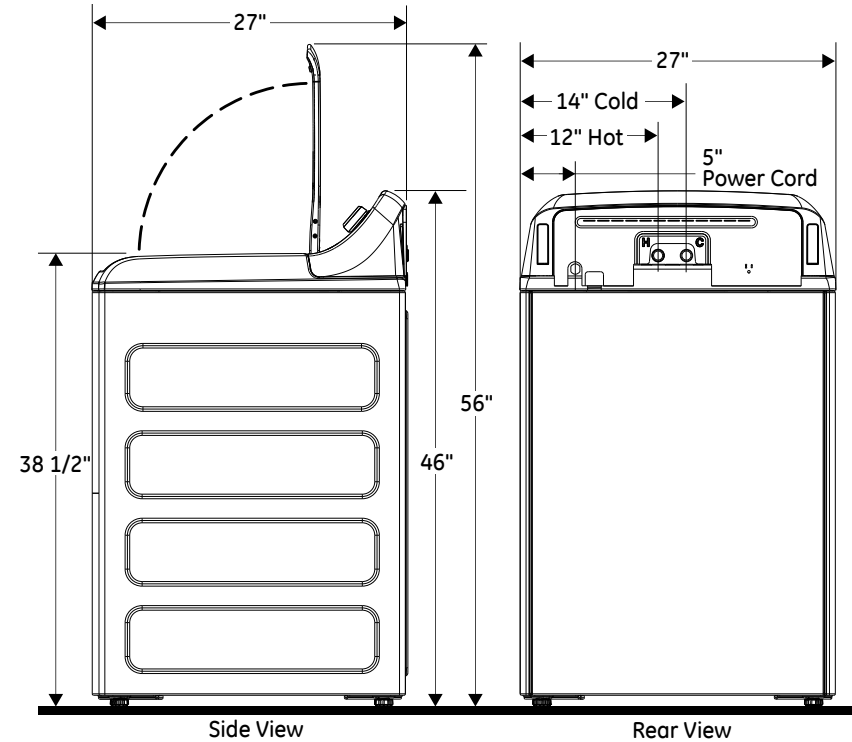
### DIMENSIONS AND INSTALLATION INFORMATION (IN INCHES)

**CIRCUIT REQUIREMENTS:** An individual, properly-grounded branch circuit, with a three-prong grounding-type receptacle, protected by a 15 or 20 amp circuit breaker or a time-delay fuse, is required.

**ELECTRICAL RATING:** 115V, 60Hz, 10A

**NOTE:** Washer wall outlet must be located within 36" of service code entry. Wall outlet must not be located behind dryer.

**INSTALLATION INFORMATION:** Before installing, consult installation instructions packed with product for current dimensional data.



GE APPLIANCES

For answers to your Monogram, GE Profile™ Series or GE® Series appliance questions, visit our website at [geappliances.com](http://geappliances.com) or call GE Answer Center® service, 800.626.2000.



Listed by  
Underwriters  
Laboratories

Specification Created 7/15

# GTW680BSJ

## GE® Series 4.6 DOE Cu. Ft. Stainless Steel Capacity Washer

### FEATURES AND BENEFITS

Sanitize with Oxi – Remove 99.9% of bacteria with a dedicated cycle that uses an Oxi additive to boost your detergent’s cleaning power, while keeping fabrics looking and feeling their best

Stain Removal Guide – Assists removing tough stains with preprogrammed settings that modify your cycle to treat the four most common stains

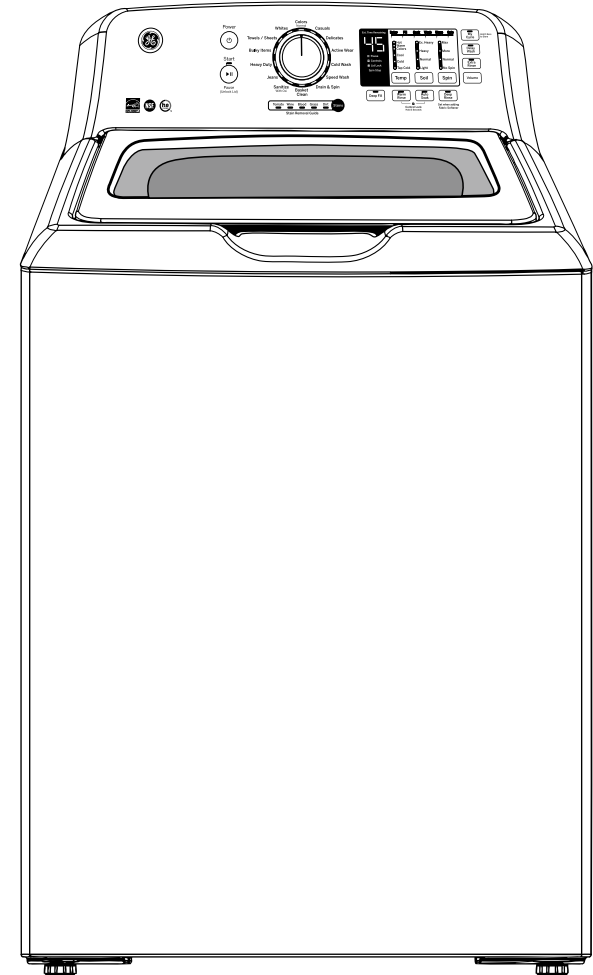
Warm Rinse – Removes any leftover soap residue

Deep Fill – Customize your water-fill levels with just the touch of a button. Add a little extra or fill the tub to wash the way you want.

Deep Rinse – Removes any leftover soap residue

Auto Soak – Loosens stains by soaking up to 2 hours

Model GTW680BSJWS – White with silver backsplash



<b>MODIFIED ENERGY FACTOR (IMEF)</b>	2.08
<b>WATER FACTOR (IWF)</b>	3.6



**GE APPLIANCES**