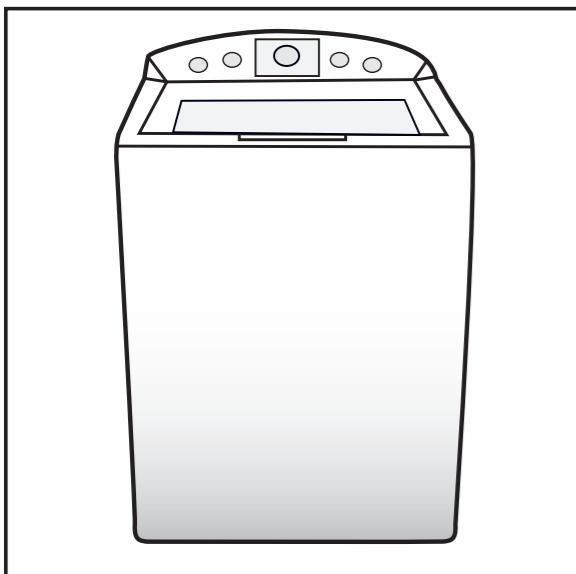


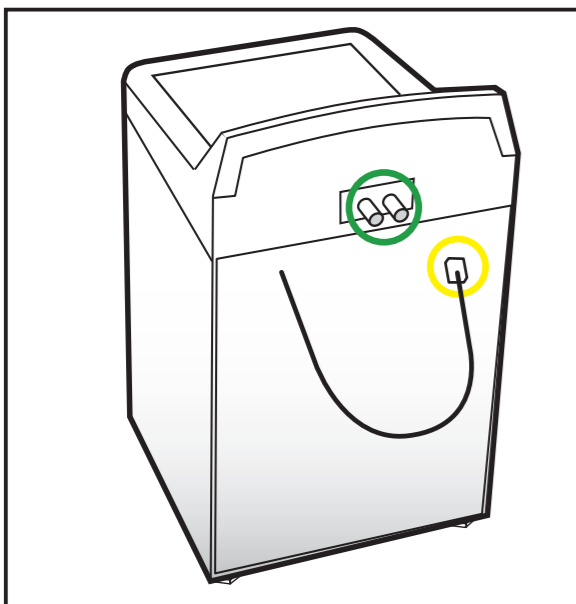


Installation Instruction - Quick Reference Guide

Consulter le verso pour instructions en français



Circles or ovals are color matched between pictures to help show location on product



Tools you will need

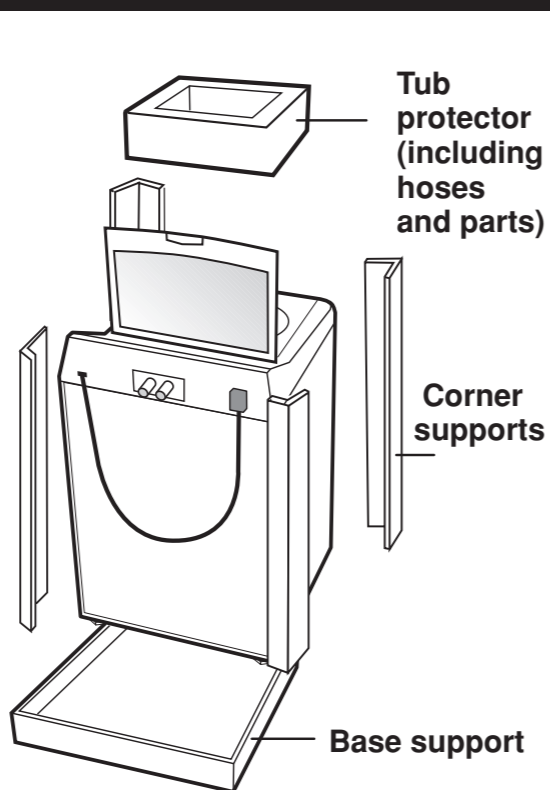


GROUNDING INSTRUCTIONS

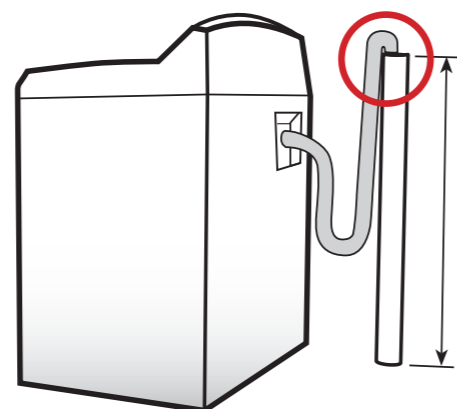
This appliance must be grounded. In the event of malfunction or breakdown, grounding should reduce the risk of electric shock by providing a path of least resistance for electric current. This appliance is equipped with a cord having an equipment-grounding conductor and a grounding plug. The plug must be plugged into an appropriate outlet that is properly installed and grounded in accordance with all local codes and ordinances.

WARNING – Improper connection of equipment-grounding conductor can result in a risk of electric shock. Check with a qualified electrician or serviceman if you are in doubt as to whether the appliance is properly grounded.

1. Unpack your washer



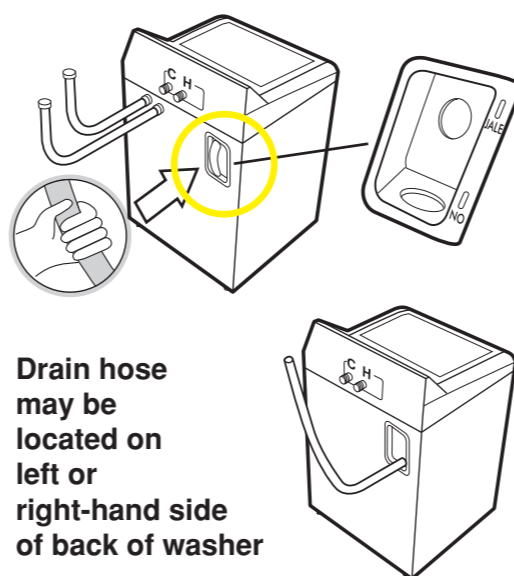
5. Connect drain hose to drain opening



Use a cable tie to secure drain hose to drain pipe or hose.

Avoid a Repair! Meet 30" drain hose height requirement.

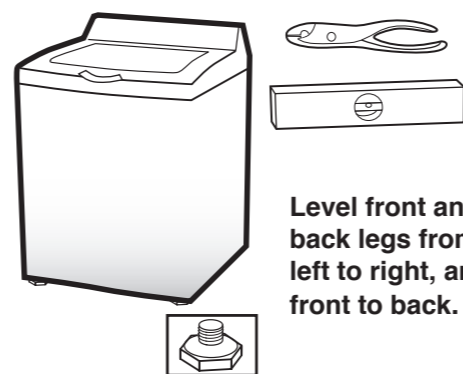
2. Extract drain hose from washer back



Drain hose may be located on left or right-hand side of back of washer

Avoid a Repair! Use clamps and screws for drain hose installation; without them leaks and flooding may occur

6. Level your washer and plug it in

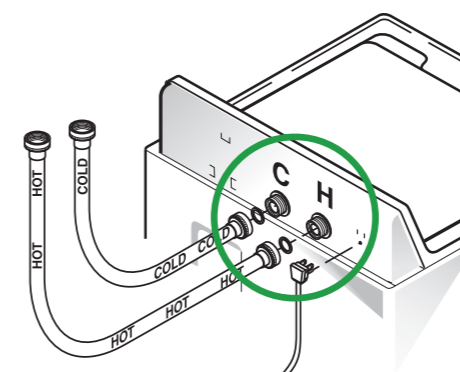


Level front and back legs from left to right, and front to back.

Avoid a Repair! Ensure washer is properly leveled, otherwise damage WILL occur

Avoid a Repair! Ensure that washer is powered by a 120V, 15 or 20 amp wall receptacle.

3. Connect water supply hoses to back of washer

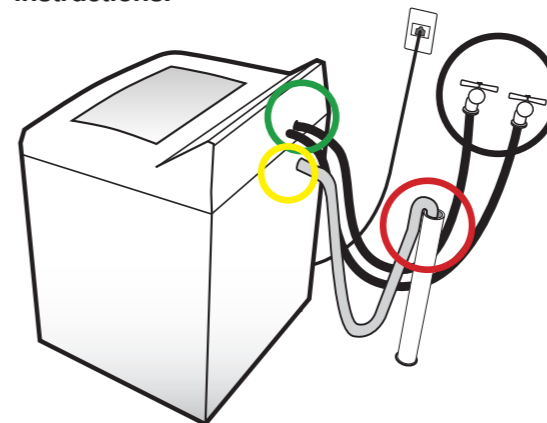


Install washers. (Washers should be brand new. Replace them if they are old or worn). Use pliers to tighten 1/2 turn beyond hand-tight

Avoid a Repair! Do not cross thread the water hoses and do not forget to install the washers. Flooding may occur

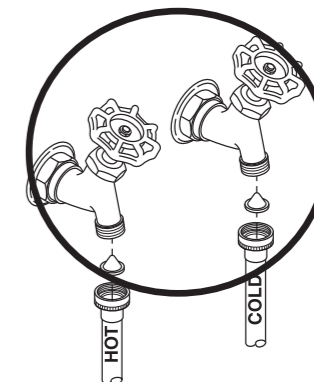
7. Installation complete!

Congratulations!
Your installation is successful and complete. Refer to your User's manual for operation instructions.



Avoid a Repair! Check for leaks after you turn on the water

4. Connect water supply hoses to wall faucets



Install washers (if screen washers are included or used, install them on the faucet side). Use pliers to tighten 1/2 turn beyond hand-tight.

Avoid a Repair! Do not mix hot and cold water supplies. Mixing them will result in poor wash performance

Avoid a Repair! It is preferable to use screen washers; without them, debris may clog the valve and flooding could occur.

8. Before starting the washer

1. Check to make sure:

- Main power is turned on.
- The washer is plugged in.
- The water faucets are turned on.
- The unit is level and firmly supported on its 4 leveling legs.
- The drain hose is properly tied up.
- There are no leaks at the faucet, drain line or washer.

2. Run the washer through a complete cycle.

Check for water leaks and proper operation.

3. Verify the lid lock engages during the spin cycle.

For safety reasons, the lid lock will be released approximately after the basket has come to a full stop.

4. If your washer does not operate, please review the Before You Call For Service section of the User's Manual before calling for service.

5. Place these instructions in a location near the washer for future reference.

Congratulations, you have successfully completed your installation!