

# Haier

Installation and User Manual  
Instructions d'installation et  
guide de l'utilisateur  
Instrucciones de instalación y  
Manual del usuario  
**HRB10N2**

**Bottom Mount Refrigerator**

**Réfrigérateur à congélateur inférieur**

**Refrigerador de montaje inferior**





# TABLE OF CONTENTS

**REFRIGERATOR SAFETY** ..... 2

**PARTS AND FEATURES** ..... 3

    Fresh Food Cold Wall (Rear Wall of Refrigerator Compartment).....4

**INSTALLATION REQUIREMENTS** ..... 4

    Location Requirements .....4

    Electrical Requirements .....4

**INSTALLATION INSTRUCTIONS** ..... 5

    Unpack the Refrigerator .....5

    Reverse Door Swing (Optional).....5

    Leveling and Door Adjustment (if needed).....7

    Complete the Installation.....7

**REFRIGERATOR USE**..... 7

    Temperature Control .....7

    Storage .....8

    Freezer.....8

**REFRIGERATOR CARE** ..... 9

    Cleaning.....9

    Defrosting .....9

    Power Failure.....9

    Lights..... 10

    Vacation and Moving Care..... 10

**TROUBLESHOOTING** ..... 11

**LIMITED WARRANTY** ..... 13

## RECORD KEEPING

Thank you for purchasing this Haier product. This user manual will help you get the best performance from your new refrigerator.

For future reference, record the model and serial number located on the inside wall of the refrigerator, and the date of purchase.

Staple your proof of purchase to this manual to aid in obtaining warranty service if needed.

\_\_\_\_\_

Model number

\_\_\_\_\_

Serial number

\_\_\_\_\_

Date of purchase

# REFRIGERATOR SAFETY

## Your safety and the safety of others are very important.

We have provided many important safety messages in this manual and on your appliance. Always read and obey all safety messages.



This is the safety alert symbol.

This symbol alerts you to potential hazards that can kill or hurt you and others. All safety messages will follow the safety alert symbol and either the word "DANGER," "WARNING" or "CAUTION."

These words mean:



An imminently hazardous situation. You could be killed or seriously injured if you don't immediately follow instructions.



A potentially hazardous situation which, if not avoided, could result in death or serious bodily injury.



A potentially hazardous situation which, if not avoided, may result in moderate or minor injury.

All safety messages will tell you what the potential hazard is, tell you how to reduce the chance of injury, and tell you what can happen if the instructions are not followed.

## IMPORTANT SAFETY INSTRUCTIONS

**WARNING:** To reduce the risk of fire, electrical shock, injury to persons, or damage when using the refrigerator, follow basic precautions, including the following:

- Plug into a grounded 3 prong outlet.
- Do not remove ground prong.
- Do not use an adapter.
- Do not use an extension cord.
- Disconnect power before servicing.
- Replace all parts and panels before operating.
- Flammable refrigerant used. To be repaired only by trained service personnel. Do not puncture refrigerant tubing.
- Flammable refrigerant used. Dispose of properly in accordance with federal or local regulations.
- Flammable refrigerant used. Follow handling instructions carefully. Risk of fire or explosion due to puncture of refrigerant tubing.
- Use nonflammable cleaner.
- Keep flammable materials and vapors, such as gasoline, away from refrigerator.
- Use two or more people to move and install refrigerator.
- This refrigerator should not be recessed or built-in an enclosed cabinet. It is designed for freestanding installation only.
- If your refrigerator is not being used, remove the doors. This will reduce the possibility of danger to children.

## READ AND SAVE THESE INSTRUCTIONS

State of California Proposition 65 Warnings:

**WARNING:** This product contains one or more chemicals known to the State of California to cause cancer.

**WARNING:** This product contains one or more chemicals known to the State of California to cause birth defects or other reproductive harm.

## PROPER DISPOSAL OF YOUR OLD REFRIGERATOR

### **⚠ WARNING**

#### **Suffocation Hazard**

Remove doors from your old refrigerator.

Failure to do so can result in death or brain damage.

**IMPORTANT:** Child entrapment and suffocation are not problems of the past. Junked or abandoned refrigerators are still dangerous - even if they will sit for "just a few days." If you are getting rid of your old refrigerator, please follow these instructions to help prevent accidents.

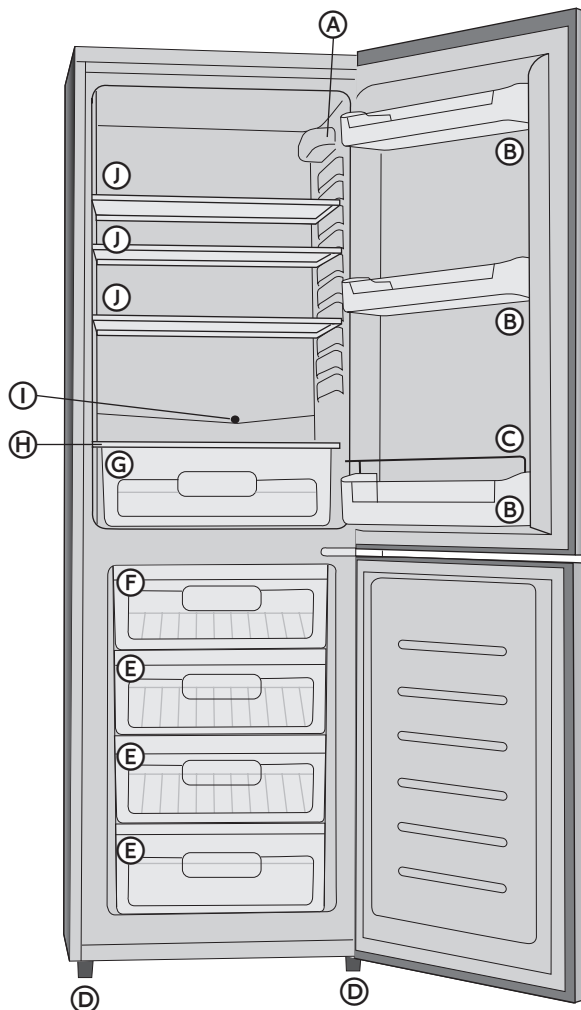
#### **Before You Throw Away Your Old Refrigerator or Freezer:**

- Take off the doors.
- Leave the shelves in place so that children may not easily climb inside.

#### **Important information to know about disposal of refrigerants:**

Dispose of refrigerator in accordance with Federal and Local regulations. Refrigerants must be evacuated by a licensed, EPA certified refrigerant technician in accordance with established procedures.

## PARTS AND FEATURES



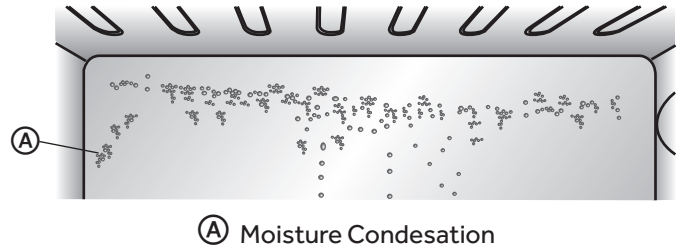
- |                                     |                               |
|-------------------------------------|-------------------------------|
| (A) Control Dial and Interior Light | (G) Crisper Compartment       |
| (B) Door Bins (3)                   | (H) Crisper Compartment Cover |
| (C) Bottle Retainer                 | (I) Drain                     |
| (D) Adjustable Feet                 | (J) Full-width Shelves (3)    |
| (E) Frozen Food Storage Drawers (3) |                               |
| (F) Frozen Food Storage Compartment |                               |

## FRESH FOOD COLD WALL (REAR WALL OF REFRIGERATOR COMPARTMENT)

Your new refrigerator features Cold Wall technology to better store perishable food.

The rear wall of the refrigerator compartment promotes moisture condensation, similar to what you see in the produce aisles of a grocery.



The excess moisture will drip into the drain at the bottom of the wall.



## INSTALLATION REQUIREMENTS

### LOCATION REQUIREMENTS

**⚠ WARNING**

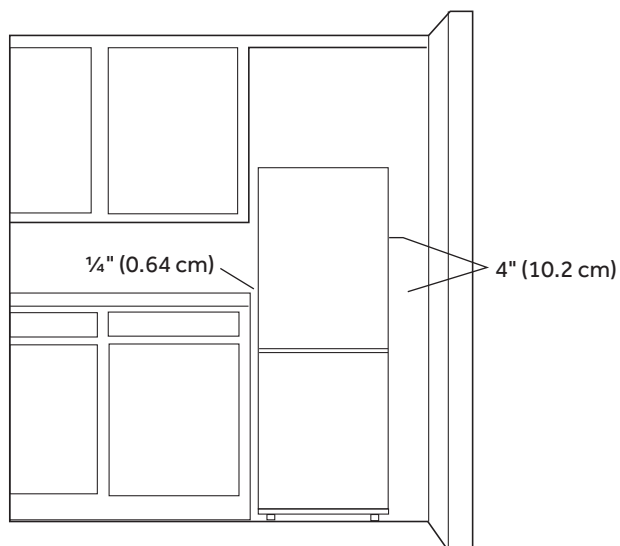
**Explosion Hazard**

Keep flammable materials and vapors, such as gasoline, away from appliance.

Failure to do so can result in death, explosion or fire.

**IMPORTANT:** This refrigerator is designed for indoor, household use only. This refrigerator should not be recessed or built-in an enclosed cabinet. It is designed for freestanding installation only.


To ensure proper ventilation for your refrigerator, allow at least ¼" (0.64 cm) of space on each side of the refrigerator and 4" (10 cm) of space behind the refrigerator. The area above the refrigerator should be open. When installing your refrigerator next to a fixed wall, leave 4" (10 cm) minimum to allow for the door to swing open.



**NOTE:** This refrigerator is intended for use in a location where the temperature ranges from a minimum of 55°F (13°C) to a maximum of 110°F (43°C). The preferred room temperature range for optimum performance, which reduces electricity usage and provides superior cooling, is between 60°F (16°C) and 90°F (32°C). It is recommended that you do not install the refrigerator near a heat source, such as an oven or radiator, or in direct sunlight.

### ELECTRICAL REQUIREMENTS

**⚠ WARNING**



**Electrical Shock Hazard**

- Plug into a grounded 3 prong outlet.
- Do not remove the ground prong from the power cord plug.
- Do not use an adapter.
- Do not use an extension cord.
- Failure to do so can result in death, fire or electrical shock.

Before you move your refrigerator into its final location, it is important to make sure you have the proper electrical connection.

#### Recommended Grounding Method

A 115 volt, 60 Hz, AC only 15- or 20-amp fused, grounded electrical supply is required. It is recommended that a separate circuit serving only your refrigerator be provided. Use an outlet that cannot be turned off by a switch. Do not use an extension cord.

**NOTE:** Before performing any type of installation or cleaning, disconnect the refrigerator from the electrical source. When you are finished, reconnect the refrigerator to the electrical source and reset the temperature controls to the desired setting.

# INSTALLATION INSTRUCTIONS

## UNPACK THE REFRIGERATOR

### ⚠ WARNING



#### Fire or Explosion Hazard

- Do not puncture refrigerant tubing.
- Follow handling instructions carefully.
- Flammable refrigerant used.
- Failure to do so can result in death, explosion or fire.

**IMPORTANT:** Handle with care when moving refrigerator to avoid either damaging the refrigerant tubing or increasing the risk of a leak.

### ⚠ WARNING

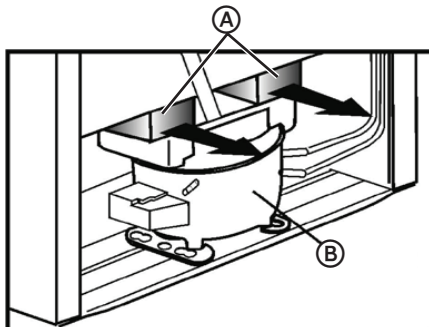
#### Excessive Weight Hazard

- Use two or more people to move and install refrigerator.
- Failure to do so can result in back or other injury.

## REMOVE THE PACKAGING

- Remove tape and glue residue from surfaces before turning on the refrigerator. Rub a small amount of liquid dish soap over the adhesive with your fingers. Rinse with warm water and dry.
- Do not use sharp instruments, rubbing alcohol, flammable fluids, or abrasive cleaners to remove tape or glue. These products can damage the surface of your refrigerator. For more information, see "Refrigerator Safety."
- Remove foam block(s) inserted between the compressor motor and the cabinet, as shown.

**NOTE:** Do not remove the plastic drain tray located above the compressor motor on models with auto-defrost.



- Ⓐ Foam Blocks
- Ⓑ Compressor

- Dispose of/recycle all packaging materials.

### When Moving Your Refrigerator:

Your refrigerator is heavy. When moving the refrigerator for cleaning or service, be sure to cover the floor with cardboard or hardboard to avoid floor damage. Always pull the refrigerator straight out when moving it. Do not wiggle or "walk" the refrigerator when trying to move it, as floor damage could occur.

## CLEAN BEFORE USING

After you remove all of the packaging materials, clean the inside of the refrigerator before using it. See the cleaning instructions in "Refrigerator Care."

### Important information to know about glass shelves and covers:

Do not clean glass shelves or covers with warm water when they are cold. Shelves and covers may break if exposed to sudden temperature changes or impact, such as bumping. Tempered glass is designed to shatter into many small, pebble-size pieces. This is normal. Glass shelves and covers are heavy. Use both hands when removing them to avoid dropping.

## REVERSE DOOR SWING (OPTIONAL)

If you want to reverse the door swing so that the doors open from the opposite side see the following instructions.

**IMPORTANT:** The graphics referenced in the following instructions are included later in this section. See "Reverse Door Swing" graphic.

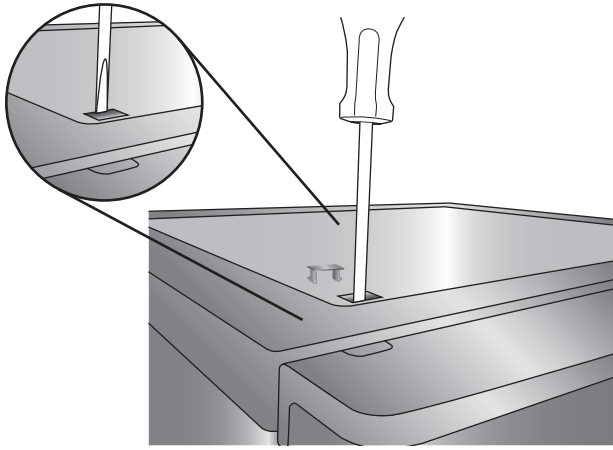
## REMOVE THE DOORS

### ⚠ WARNING

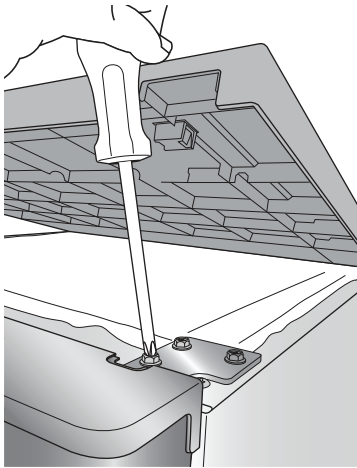
#### Excessive Weight Hazard

- Use two or more people to move and install refrigerator.
- Failure to do so can result in back or other injury.

- Unplug refrigerator or disconnect power.
- Remove all food, shelves, drawers, trays and bins from the interior refrigerator cabinet and the door.
- Remove tabs on both sides of the refrigerator top to access the screws and remove the screws.



4. Lift the front of the refrigerator top enough to access the door hinge screws.



5. Remove the bolts from the top hinge and remove top hinge (1).
6. Lift the refrigerator door from the center hinge (2).
7. Unscrew the bolts and remove the center hinge (3).
8. Lift the freezer door from the bottom hinge (4).
9. Remove the plastic cover from the front, top trim (5).
10. Using two or more people, tilt the refrigerator toward the back at a 45° angle to access and remove the leveling foot (7 & 8).
11. Remove the bottom door hinge and leveling foot (9).

**NOTE:** The leveling foot on the hinge side must be moved to the opposite side with the door hinge.

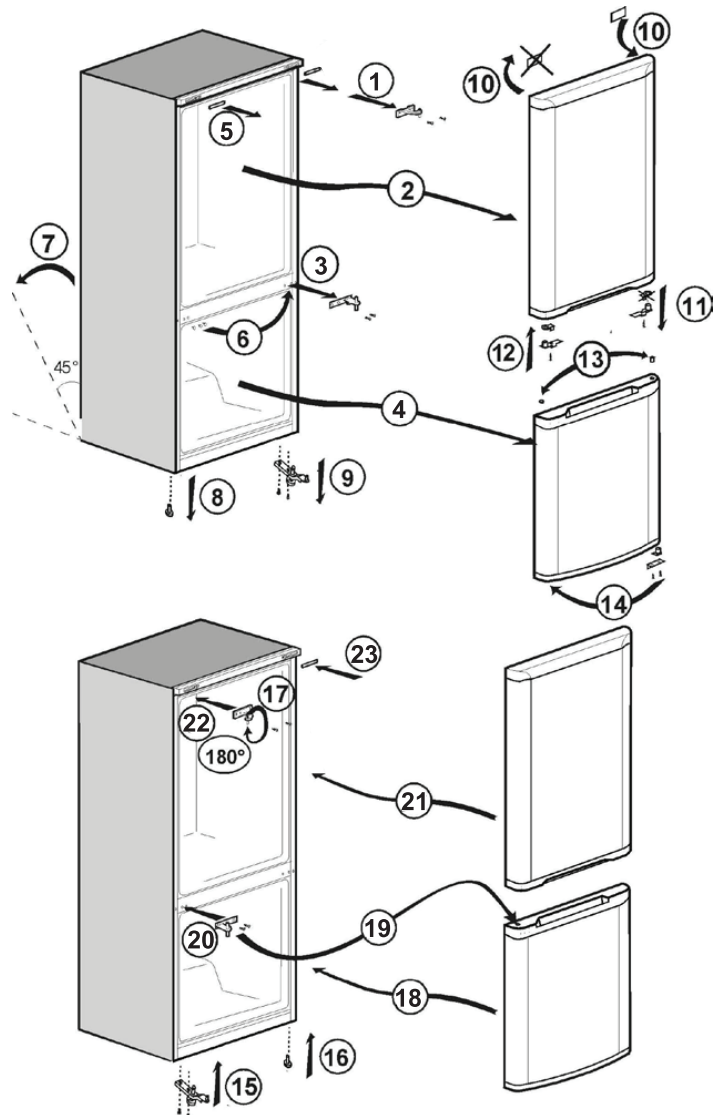
## REVERSE THE DOORS

1. Remove the hole plugs from the center divider and place the plugs in the holes remaining after removing the center hinge (6).
2. Remove the plastic cover. Install the stopper (provided in the parts bag), to the opposite side (10).
3. Unscrew and remove the middle hinge bushing from the bottom of the refrigerator door (11).
4. Install the middle hinge bushing (provided in the parts bag) to the opposite side. (12)
5. Remove the hinge bushing and the stopper from the freezer door and reinstall each to the opposite side of the door. (13)
6. Remove the bottom hinge bushing from the freezer door and reinstall it on the opposite side. (14)

## REPLACE THE DOORS

1. Reassemble and install the bottom hinge on the opposite side. (15)
2. Using two or more people, reinsert the leveling foot to the opposite side with the bottom door hinge. (16)
3. Rotate the top hinge 180°. Unscrew the hinge pin and reinstall it to the opposite side. (17)
4. Place the freezer door onto the bottom hinge and close the door. (18)
5. Place the center hinge on top of the freezer door. (19)
6. Fasten the center hinge to the cabinet, and then align and adjust the door. (20)
7. Install the refrigerator door on top of the center hinge. (21)
8. Reinstall the top hinge and tighten the bolts. (22)
9. Reinstall the plastic cover on the front, top trim. (23)
10. Completely tighten all bolts.
11. Using two or more people, stand the refrigerator completely upright, and adjust the front feet to level. See "Leveling and Door Adjustment."
12. Return all removable parts to the cabinet and door.

## REVERSE DOOR SWING





## LEVELING AND DOOR ADJUSTMENT (IF NEEDED)

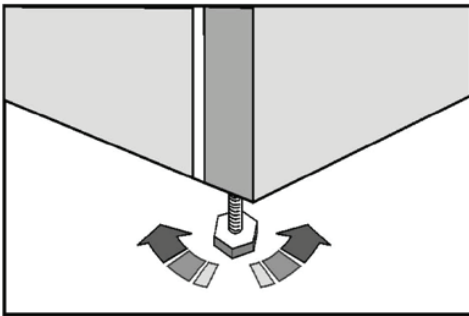
The refrigerator must be level to maintain optimal performance and appearance, and to avoid excess vibration and noise.

### LEVELING

1. Move the refrigerator to its final location on a flat, even floor.
2. Turn the feet on the bottom, front of the cabinet to raise or lower that side of the refrigerator until the refrigerator is level side-to-side.

**NOTE:** Having someone push against the top of the refrigerator takes some weight off the leveling screws. This makes it easier to turn the screws.

3. Turn both front legs, by the same amount, to slightly raise the front of the refrigerator. This will make it easier for the doors to close.



## COMPLETE THE INSTALLATION

### ⚠ WARNING



#### Electrical Shock Hazard

- Plug into a grounded 3 prong outlet.
- Do not remove the ground prong from the power cord plug.
- Do not use an adapter.
- Do not use an extension cord.
- Failure to do so can result in death, fire or electrical shock.

1. Wait a minimum of 4 hours to allow the cooling system to settle before turning on cooling.
2. Plug into a grounded 3 prong outlet.
3. Wait until the refrigerator has cooled to the recommended temperatures, before adding food.

## REFRIGERATOR USE

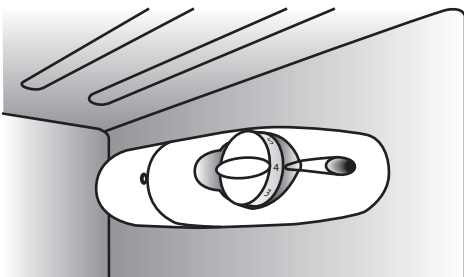
### TEMPERATURE CONTROL

Temperatures are controlled by the Temperature Control dial.

Set the Temperature Control dial to the recommended setting "4" on the dial.

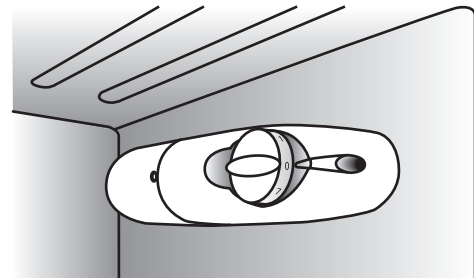
The average temperature inside the refrigerator compartment should be approximately 37°F (2.8°C). You may need to adjust the temperature control to obtain the desired temperature.

#### Recommended Setting "4"



#### To Turn OFF Cooling:

Turn the Temperature Control dial to the "0" OFF position.



#### To Adjust the Temperature:

The control can be set at any position between 1 (least cold) and 7 (coldest).

**NOTE:** Sections of the refrigerator compartment may be cooler or warmer (such as salad crisper and top part of the cabinet) which is normal.

Frequent door openings cause internal temperatures to rise, so close the door as soon as possible after use.

## STORAGE

### FULL-WIDTH SHELVES

The height of the shelves can be adjusted to fit your storage needs.

1. To remove a shelf, lift up on both the front and back edge to disengage the shelf hooks from the shelf supports along the refrigerator wall and pull it out.



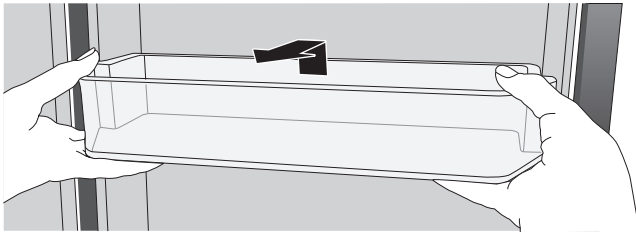
2. To reinstall a shelf, slide the shelf toward the back of the refrigerator until the back of the shelf drops down behind the shelf supports.

### DOOR BINS

The door bins can be removed for cleaning.

#### To Remove a Door Bin:

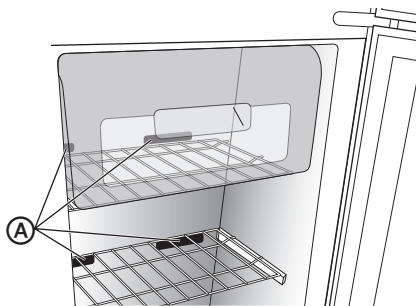
1. Place hands on both sides of the bin and lift upward.
2. Pull out to remove.



## FREEZER

The freezer compartment is suitable for the long-term storage of commercially frozen foods and also can be used to freeze fresh food.

**IMPORTANT:** The fan inside the freezer compartment circulates the cold air essential to the performance of the freezer. Make sure the air ducts are not blocked by food items or packaging. Blocking the air ducts can result in an increase of the internal freezer temperature (Thawing).



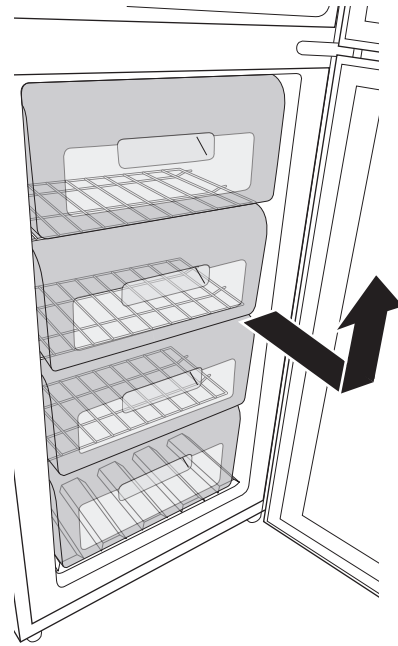
Ⓐ Air Ducts

## FREEZER STORAGE

Your new refrigerator offers the flexibility of either drawer or shelf storage for your freezer storage needs. Remove any freezer drawer to use the shelf underneath.

#### To Remove a Drawer:

1. Pull out the drawer as far as possible.
2. Tilt the drawer upward to remove.
3. Store the drawer, for future use, in a location where it will not be damaged.



# REFRIGERATOR CARE

## CLEANING

Clean both the freezer and refrigerator compartments about once a month to avoid buildup of odors. Wipe up spills immediately.

### ⚠ WARNING



#### Explosion Hazard

Use nonflammable cleaner.

Failure to do so can result in death, explosion or fire.

### IMPORTANT:

- Do not use harsh chemicals, ammonia, chlorine bleach, concentrated detergent, solvents, abrasives or metal scouring pads to clean your refrigerator inside or out. They can damage and/or discolor the refrigerator finish.
- Do not use warm water to clean glass shelves while they are still cold. Glass may break when exposed to sudden temperature changes or impact.

1. Unplug refrigerator or disconnect power.
2. Using a clean sponge or soft cloth and a mild detergent dissolved in warm water, wash removable parts and the interior surfaces. Rinse well and dry thoroughly.
3. Clean the exterior surfaces.

**Painted metal:** Wash painted metal exteriors with a clean, soft cloth or sponge and a mild detergent in warm water. Rinse surfaces with clean, warm water and dry immediately to avoid water spots.

**Stainless steel:** Stainless steel is corrosion resistant and not corrosion-proof. To help avoid corrosion of your stainless steel, wash stainless steel surfaces with a clean, soft cloth or sponge and a mild detergent in warm water. Rinse surfaces with clean, warm water and dry immediately to avoid water spots.

**NOTE:** When cleaning stainless steel, always wipe in the direction of the grain to avoid cross-grain scratching.

4. Clean the condenser at least once a year. Using a vacuum cleaner, remove the dust that has accumulated on the condenser.

**NOTE:** The condenser is located at the back of the refrigerator.

5. Plug in refrigerator or reconnect power.

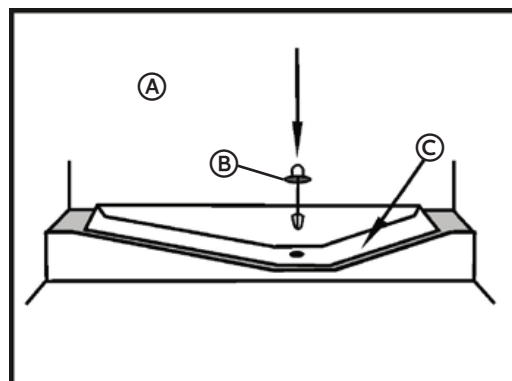
## DEFROSTING

The refrigerator and freezer compartments defrost automatically. A small amount of frost buildup on the Fresh Food Cold Wall is normal. If the amount of frost becomes excessive, you may need to raise the temperature by adjusting the Temperature Control dial to a lower number (less cold) setting. See "Control."

The defrost water goes through a collection channel and into the drain tube which is attached to the drain tray at the back of the refrigerator. To avoid water spilling onto the floor, it is important to make sure the end of the drain tube is inserted fully into the drain tray.

If the defrost water does not drain from the collection channel, check that the drain tube is clear. The drain tube can be cleared with a pipe cleaner or by pushing the plastic plunger (provided) down the drain tube.

During defrosting, water droplets may form at the back of the refrigerator compartment where a concealed evaporator is located. Some moisture will remain on the Fresh Food Cold Wall (rear wall) and refreeze when defrosting is completed. Do not use pointed or sharp-edged objects such as knives or forks to remove the frozen droplets.



- (A) Rear Refrigerator Wall
- (B) Plastic Plunger
- (C) Defrost Water Collection Channel

## POWER FAILURE

If there is a power failure, do not open the freezer door. Frozen food should not be affected if the power is restored within several hours.

If power is out for an extended period of time, check the food for thawing.

## LIGHT

Depending on your model, the light located behind the Temperature control, may use either an LED or an incandescent bulb. To order a replacement light bulb for your model, call 1-877-337-3639 or visit us at [www.haieramerica.com/support](http://www.haieramerica.com/support).

### To Replace a Light Bulb:

**NOTE:** You may need to remove the top shelf to access the light bulb.

1. Unplug refrigerator or disconnect power.
2. Remove the screw fastening the light shield, and then remove the light shield.
3. Remove the burned-out bulb and replace it with an appliance bulb of the same size, shape and wattage.

#### IMPORTANT:

- DO NOT replace with an incandescent bulb greater than 10 Watts.
  - The refrigerator compartment is considered to be a wet/damp environment, and some LED replacement bulbs are not recommended for wet/damp environments. Before installation, read and follow all instructions on the LED packaging.
4. Replace the light shield.
  5. Plug in refrigerator or reconnect power.

## VACATION AND MOVING CARE

### VACATION

#### If You Choose to Leave the Refrigerator On While You're Away:

1. Use up any perishables and freeze other items.

#### If You Choose to Turn Off the Refrigerator Before You Leave:

1. Remove all food from the refrigerator and freezer.
2. Unplug refrigerator or disconnect power.
3. Clean refrigerator, wipe it, and dry well.
4. Tape rubber or wood blocks to the tops of both doors to prop them open far enough for air to get in. This stops odor and mold from building up.

## MOVING

### ⚠ WARNING



#### Fire or Explosion Hazard

- Do not puncture refrigerant tubing.
- Follow handling instructions carefully.
- Flammable refrigerant used.
- Failure to do so can result in death, explosion or fire.

**IMPORTANT:** Handle with care when moving refrigerator to avoid either damaging the refrigerant tubing or increasing the risk of a leak.

### ⚠ WARNING

#### Excessive Weight Hazard

- Use two or more people to move and install refrigerator.
- Failure to do so can result in back or other injury.

When you are moving your refrigerator to a new home, follow these instructions to prepare it for the move.

#### IMPORTANT:

- If possible, move the refrigerator in an upright position. If the refrigerator must be moved horizontally, it must be placed only on its right-hand side (as you are facing the front of the refrigerator). After standing the refrigerator upright, wait at least 12 hours to allow the system to settle before plugging in the refrigerator.
1. Remove all food from the refrigerator and pack all frozen food in dry ice.
  2. Unplug refrigerator.
  3. Empty any water in the drain tray.
  4. Make sure that the defrost water drain tube at the back of the refrigerator is attached to the drain tray on the top of the compressor, to avoid defrost water spilling onto the floor.
  5. Take out all removable parts, wrap them well, and tape them together so they will not shift and rattle during the move.
  6. Wash and rinse the interior, and then dry thoroughly.
  7. Raise the leveling legs so they don't scrape the floor. See "Leveling."
  8. Tape the doors closed and tape the power cord to the back of the refrigerator.
  9. When you get to your new home, put everything back and refer to the "Installation Instructions" section.

# TROUBLESHOOTING

First try the solutions suggested here to possibly avoid the cost of a service call.

## REFRIGERATOR IS NOT OPERATING

PROBLEM	POSSIBLE CAUSE(S)	SOLUTION
Refrigerator does not run	Refrigerator is unplugged.	Plug power cord into power source.
	Breaker is tripped or turned off / Fuse is blown.	Reset / Turn on breaker or replace fuse.
	Refrigerator is in defrost mode.	Wait about 40 minutes for defrost cycle to end and cooling system to restart.
Refrigerator compressor runs frequently or for long periods of time <b>NOTE:</b> This refrigerator is designed to run for longer periods of time at a lower energy usage.	Refrigerator is first plugged in.	This is normal. Allow 24 hours for the refrigerator to cool down.
	Warm or large amounts of food added.	This is normal.
	Door is left open.	Ensure that door is not being held open by an item.
	Hot weather or frequent openings	This is normal.
	Temperature control set to coldest setting.	Adjust temperature to a warmer setting.
Refrigerator has an odor	Food is not sealed or packaged properly.	Reseal packaging. Place an opened box of baking soda in the refrigerator, replace every 3 months.
	Interior needs to be cleaned.	Clean the interior. See "Cleaning."
	Food stored too long.	Dispose of spoiled food.
Light does not come on	Refrigerator is unplugged.	Plug refrigerator in to power source.
	Light is burned out.	Replace burned out light bulb. See "Light."
Doors do not close properly	Refrigerator is not level.	See "Leveling."
	Something is obstructing door closure.	Check for and remove obstructions.
Vibration or rattling	Refrigerator is not resting firmly on floor.	See "Leveling."
Normal Sounds	It sounds like water is flowing from the refrigerator.	Refrigerant flowing in the lines will make this sound when the compressor starts and stops.
		The refrigerator has an automatic defrosting system. The defrosted water will make this sound.
	Humming or buzzing sounds	The compressor and fans for cold air circulation can make this sound. If the refrigerator is not level, the sound will be louder.
	Cracking or clicking sounds	The interior parts will make this sound as they contract and expand in response to temperature changes.

## TEMPERATURE AND MOISTURE

PROBLEM	POSSIBLE CAUSE(S)	SOLUTION
Refrigerator or freezer is too warm	Temperature control is not set low enough.	Adjust the compartment to a colder setting; allow 24 hours for the temperature to adjust.
	Doors opened frequently or left open.	Keep door closed / Check that a package is not preventing door from closing.
	Warm food added recently.	Allow time for food and refrigerator to cool.
	The space between the back of the refrigerator and the wall is too close.	Allow 4" (10 cm) space between the back of the refrigerator and the wall.
	Items against back of compartments are blocking proper airflow.	Store items only inside the trim of the glass shelves; don't place items against sides of the compartments or directly in front of any vents.
Refrigerator or freezer is too cold	Temperature control is set too low.	Adjust temperature in the compartment to the next warmer setting; allow 24 hours to adjust.
Moisture on exterior/interior of refrigerator	High humidity	This is normal. Condensation on the rear wall of the refrigerator compartment is due to the use of Fresh Food Cold Wall technology. See "Parts and Features."
	Doors opened frequently or left open.	Keep door closed. Check that a package is not preventing door from closing.
	Open container of water in refrigerator	Cover or seal container
Frost or ice crystals on frozen food	Freezer door left open or opened frequently.	Check that a package is not preventing the door from closing completely. Limit door openings.
	Items blocking freezer air vents and preventing proper air flow.	Move items away from rear wall.
Food freezing in refrigerator	Food placed too close to the air vent.	Move items away from back and top of the refrigerator.
	Temperature control set too cold.	Adjust the temperature to a lower number (less cold) setting.

**FOR MORE HELP, VISIT [HAIERAMERICA.COM](http://HAIERAMERICA.COM) OR CALL THE CONSUMER HELP LINE AT 1-877-337-3639.**

# LIMITED WARRANTY

## IN-HOME SERVICE

### FULL ONE YEAR WARRANTY

For 12 months from the date of original retail purchase, Haier will repair or replace any part free of charge including labor that fails due to a defect in materials or workmanship.

Haier may replace or repair at their sole discretion any part, sub system including the entire product.

Product must be accessible, without encumbrance and installed properly to receive for warranty repair service.

### LIMITED WARRANTY

After one year from the original retail purchase date, Haier will provide a part at no cost, as indicated below, to replace said part as a result of a defect in materials or workmanship. Haier is solely responsible for the cost of the part. All other costs, such as labor, trip charge, etc., are the responsibility of the owner.

#### Second through Fifth Year

For 60 months from the date of original retail purchase. The components of the sealed system (e.g. hermetic compressor, condenser and evaporator) from manufacturing defects. Any damage to such components caused by mechanical abuse or improper shipping and handling will not be covered.

**NOTE:** This warranty commences on the date the item was purchased, and the original purchase receipt must be presented to the authorized service representative before warranty repairs are rendered.

**Exceptions:** Commercial Use Warranty

**90 days labor from date of original purchase**

**90 days parts from date of original purchase**

**No other warranty applies.**

### FOR WARRANTY SERVICE

All service must be performed by a Haier authorized service center. For the name and telephone number of the nearest authorized service center, please call 1-877-337-3639.

Before calling please have available the following information:

Model number and serial number of your appliance. The name and address of the dealer you purchased the unit from and the date of purchase.

A clear description of the problem.

A proof of purchase (sales receipt).

**This warranty covers home appliance services within the contiguous United States and Canada and where available in Alaska, Hawaii and Puerto Rico.**

### What is not covered by this warranty:

Replacement or repair of household fuses, circuit breakers, wiring or plumbing.

A product whose original serial number has been removed or altered.

Any service charges not specifically identified as normal such as normal service area or hours.

Replacement of light bulbs.

Damage incurred in shipping.

Damage caused by improper installation or maintenance.

Damage from misuse, abuse accident, fire, flood, or acts of nature.

Damage from service other than an authorized Haier dealer or service center.

Damage from incorrect electrical current, voltage or supply.

Damage resulting from any product modification, alteration or adjustment not authorized by Haier.

Adjustment of consumer operated controls as identified in the owner's manual.

Hoses, knobs, lint trays and all attachments, accessories and disposable parts.

Labor, service transportation, and shipping charges for the removal and replacement of defective parts beyond the initial 12-month period.

Damage from other than normal household use.

Any transportation and shipping charges.

**THIS LIMITED WARRANTY IS GIVEN IN LIEU OF ALL OTHER WARRANTIES, EXPRESS ED OR IMPLIED, INCLUDING BUT NOT LIMITED TO, THE WARRANTIES OF MERCHANTABILITY AND FITNESS FOR A PARTICULAR PURPOSE**

The remedy provided in this warranty is exclusive and is granted in lieu of all other remedies.

This warranty does not cover incidental or consequential damages, so the above limitations may not apply to you. Some states do not allow limitations on how long an implied warranty lasts, so the above limitations may not apply to you.

This warranty gives you specific legal rights, and you may have other rights, which vary from state to state.

Haier America  
Wayne, NJ 07470



# TABLE DES MATIÈRES

<b>SÉCURITÉ DU RÉFRIGÉRATEUR</b> .....	<b>15</b>
<b>PIÈCES ET CARACTÉRISTIQUES</b> .....	<b>16</b>
Paroi réfrigérante pour aliments frais (paroi arrière du compartiment de réfrigération).....	17
<b>EXIGENCES D'INSTALLATION</b> .....	<b>17</b>
Exigences d'emplacement.....	17
Spécifications électriques.....	17
<b>INSTRUCTIONS D'INSTALLATION</b> .....	<b>18</b>
Déballage du réfrigérateur .....	18
Inversion du sens d'ouverture de la porte (facultatif) .....	18
Nivellement et ajustement des portes (si nécessaire) .....	20
Achever l'installation .....	20
<b>UTILISATION DU RÉFRIGÉRATEUR</b> .....	<b>21</b>
Commande de la température .....	21
Entreposage.....	21
Congélateur .....	21
<b>ENTRETIEN DU RÉFRIGÉRATEUR</b> .....	<b>22</b>
Nettoyage .....	22
Décongélation .....	22
Panne de courant .....	23
Éclairage .....	23
Précautions à prendre pour les vacances ou le déménagement .....	24
<b>DÉPANNAGE</b> .....	<b>25</b>
<b>GARANTIE LIMITÉE</b> .....	<b>27</b>

## DOCUMENTS À CONSERVER

Merci d'avoir acheté ce produit Haier. Ce manuel vous aidera à obtenir les meilleures performances de votre nouveau réfrigérateur.

Pour référence ultérieure, notez le modèle et le numéro de série situés sur la paroi interne du compartiment de réfrigération, et la date d'achat.

Pour faciliter l'obtention d'un service sous garantie, agrafez la preuve de la date d'achat à ce manuel.

\_\_\_\_\_  
Numéro de modèle

\_\_\_\_\_  
Numéro de série

\_\_\_\_\_  
Date d'achat



# SÉCURITÉ DU RÉFRIGÉRATEUR

## Votre sécurité et celle des autres est très importante.

Nous donnons de nombreux messages de sécurité importants dans ce manuel et sur votre appareil ménager. Assurez-vous de toujours lire tous les messages de sécurité et de vous y conformer.



Voici le symbole d'alerte de sécurité.

Ce symbole d'alerte de sécurité vous signale les dangers potentiels de décès et de blessures graves à vous et à d'autres. Tous les messages de sécurité suivront le symbole d'alerte de sécurité et le mot "DANGER," "AVERTISSEMENT" ou "ATTENTION."

Ces mots signifient :

**⚠ DANGER**

Une situation de danger imminent. Vous courez le risque d'un décès ou de blessures graves si vous ne suivez pas immédiatement les instructions.

**⚠ AVERTISSEMENT**

Une situation potentiellement dangereuse qui, si vous ne l'évitez pas, peut provoquer la mort ou des blessures graves.

**⚠ ATTENTION**

Une situation potentiellement dangereuse qui, si vous ne l'évitez pas, peut entraîner des blessures légères à modérées.

Tous les messages de sécurité vous diront quel est le danger potentiel et vous disent comment réduire le risque de blessure et ce qui peut se produire en cas de non-respect des instructions.

## IMPORTANTES INSTRUCTIONS DE SÉCURITÉ

**AVERTISSEMENT :** Afin de réduire le risque d'incendie, de choc électrique, de blessures corporelles ou de dommage lors de l'utilisation du réfrigérateur, il convient d'observer certaines précautions fondamentales, notamment :

- Brancher sur une prise de courant à 3 alvéoles, reliée à la terre.
- Ne pas enlever la prise de liaison à la terre.
- Ne pas utiliser d'adaptateur.
- Ne pas utiliser de rallonge.
- Déconnecter la source de courant électrique avant l'entretien.
- Replacer pièces et panneaux avant de faire la mise en marche.
- Utilisation d'un liquide frigorigène inflammable. Toute réparation doit être effectuée par un technicien de service qualifié. Ne pas perforer le circuit frigorigène.
- Utilisation d'un liquide frigorigène inflammable. Mettre au rebut d'une manière appropriée en conformité avec la législation fédérale ou locale.
- Utilisation d'un liquide frigorigène inflammable. Suivre attentivement les instructions de manipulation. Risque d'incendie ou d'explosion dû à la perforation des tubulures du circuit frigorigène.
- Utiliser un produit de nettoyage ininflammable.
- Garder les matières et les vapeurs inflammables, telles que l'essence, loin du réfrigérateur.
- Utiliser au moins deux personnes pour déplacer et installer le réfrigérateur.
- Le réfrigérateur ne doit pas être encastré ou installé dans un placard fermé. Il est conçu uniquement pour être utilisé d'une manière autoportante.
- Si le réfrigérateur n'est pas utilisé, ôter les portes. Cela réduira le risque de danger pour les enfants.

## LIRE ET CONSERVER CES INSTRUCTIONS

## MISE AU REBUT DE VOTRE ANCIEN RÉFRIGÉRATEUR

### ⚠ AVERTISSEMENT

#### Risque de suffoquer

Ôter les portes de votre ancien réfrigérateur.

Le non-respect de cette instruction peut causer un décès ou des lésions cérébrales.

**IMPORTANT :** Le problème des enfants pouvant se retrouver coincés et suffoquer n'est pas un problème du passé. Un réfrigérateur jeté ou abandonné est encore dangereux, même s'il est laissé abandonné pendant "quelques jours seulement". Si vous vous débarrassez de votre ancien réfrigérateur, veuillez suivre les instructions suivantes pour aider à éviter les accidents.

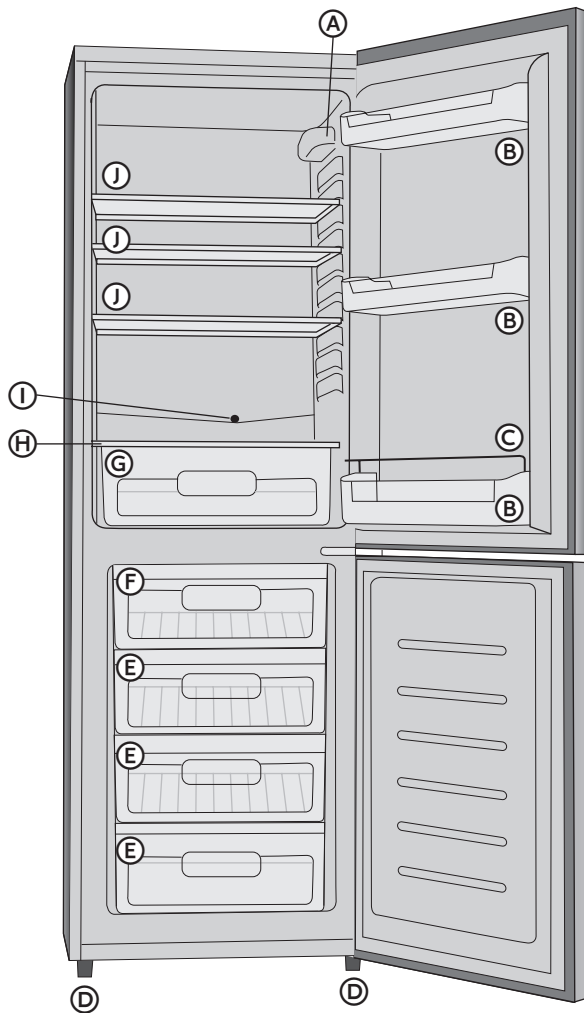
#### Avant de jeter votre ancien réfrigérateur ou congélateur :

- Ôter les portes.
- Laisser les tablettes en place de sorte que les enfants ne puissent pas y pénétrer facilement.

#### Informations importantes à propos de la mise au rebut de réfrigérants :

Mettre le réfrigérateur au rebut en conformité avec la législation fédérale ou locale. Les réfrigérants doivent être évacués par un technicien en réfrigération agréé et certifié EPA en conformité avec les procédures établies.

## PIÈCES ET CARACTÉRISTIQUES



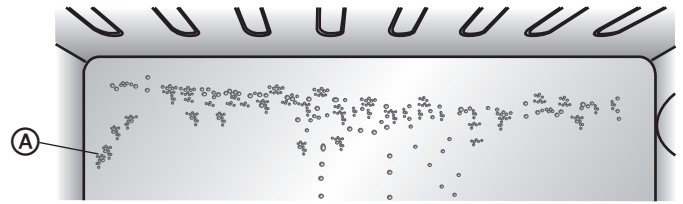
- Ⓐ Bouton rotatif de commande et lampe intérieure
- Ⓑ Balconnets (3)
- Ⓒ Dispositif de retenue des bouteilles
- Ⓓ Pieds réglables
- Ⓔ Tiroirs d'entreposage des aliments congelés (3)
- Ⓕ Compartiment d'entreposage des aliments congelés
- Ⓖ Bac à fruits et à légumes
- Ⓗ Couvercle du bac à fruits et à légumes
- Ⓘ Vidange
- ⓵ Tablettes pleine largeur (3)

# PAROI RÉFRIGÉRANTE POUR ALIMENTS FRAIS (PAROI ARRIÈRE DU COMPARTIMENT DE RÉFRIGÉRATION)

Votre nouveau réfrigérateur est équipé de la technologie de paroi réfrigérante pour un meilleur entreposage des aliments périssables.

La paroi arrière du réfrigérateur permet une meilleure condensation de l'humidité, semblable à ce que l'on observe au rayon fruits et légumes dans un supermarché.

L'excès d'humidité s'égoutte dans le système de vidange au bas de la paroi.



A Condensation d'humidité

## EXIGENCES D'INSTALLATION

### EXIGENCES D'EMPLACEMENT

#### ⚠ AVERTISSEMENT



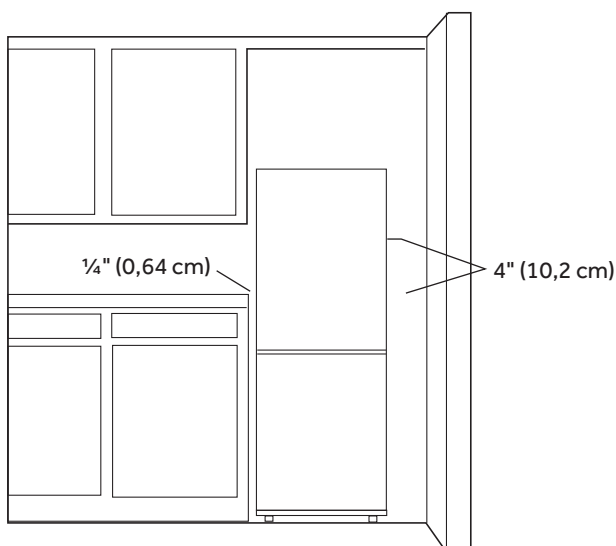
#### Risque d'explosion

Garder les matériaux et les vapeurs inflammables, telles que l'essence, loin de l'appareil.

Le non-respect de cette instruction peut causer un décès, une explosion ou un incendie.

**IMPORTANT :** Ce réfrigérateur est conçu pour un usage domestique, à l'intérieur uniquement. Le réfrigérateur ne doit pas être encastré ou installé dans un placard fermé. Il est conçu uniquement pour être utilisé d'une manière autoportante.

Pour obtenir une aération appropriée pour votre réfrigérateur, laisser au moins ¼" (0,64 cm) d'espace de chaque côté du réfrigérateur et 4" (10 cm) d'espace derrière le réfrigérateur. La zone au-dessus du réfrigérateur doit être ouverte. En cas d'installation du réfrigérateur près d'une cloison fixe, laisser un minimum de 4" (10 cm) pour permettre à la porte de s'ouvrir sans obstruction.



**REMARQUE :** Ce réfrigérateur est conçu pour être utilisé dans un endroit où la température est comprise entre un minimum de 55°F (13°C) et un maximum de 110°F (43°C). La plage de température ambiante idéale pour une performance optimale est comprise entre 60°F (16°C) et 90°F (32°C). Respecter cette plage de température permet aussi de réduire la consommation d'électricité et d'optimiser l'efficacité du refroidissement. Il est recommandé de ne pas installer le réfrigérateur près d'une quelconque source de chaleur, telle qu'un four ou un radiateur, ou directement exposé aux rayons du soleil.

### SPÉCIFICATIONS ÉLECTRIQUES

#### ⚠ AVERTISSEMENT



#### Risque de choc électrique

Brancher sur une prise à 3 alvéoles reliée à la terre.

Ne pas enlever la broche de liaison à la terre du cordon d'alimentation.

Ne pas utiliser un adaptateur.

Ne pas utiliser un câble de rallonge.

Le non-respect de cette instruction pourrait causer un décès, un incendie ou un choc électrique.

Avant de déplacer le réfrigérateur à son emplacement final, il est important de vous assurer d'avoir le raccordement électrique approprié.

#### Méthode recommandée de liaison à la terre

Chaque appareil doit être alimenté par un circuit 115 volts (CA seulement, 60 Hz) relié à la terre et protégé par un fusible de capacité 15 A ou 20 A. Il est recommandé d'utiliser un circuit distinct pour alimenter le réfrigérateur uniquement. Utiliser une prise de courant dont l'alimentation ne peut pas être interrompue par un interrupteur. Ne pas utiliser de rallonge.

**REMARQUE :** Avant d'exécuter tout type d'installation, nettoyage ou remplacement d'une ampoule d'éclairage, déconnecter le réfrigérateur de la source de courant électrique. Une fois l'opération terminée, reconnecter le réfrigérateur à la source de courant électrique et remettre les commandes de température au réglage désiré.

# INSTRUCTIONS D'INSTALLATION

## DÉBALLAGE DU RÉFRIGÉRATEUR

### ⚠ AVERTISSEMENT



#### Incendie ou Risque d'explosion

Ne pas perforer le circuit frigorifique.

Suivre attentivement les instructions de manipulation.

Utilisation d'un liquide frigorigène inflammable.

Le non-respect de cette instruction peut causer un décès, une explosion ou un incendie.

**IMPORTANT :** Manipuler avec précautions lorsque l'on déplace le réfrigérateur soit pour éviter d'endommager le circuit frigorigène, soit pour diminuer le risque de fuites.

### ⚠ AVERTISSEMENT

#### Risque du poids excessif

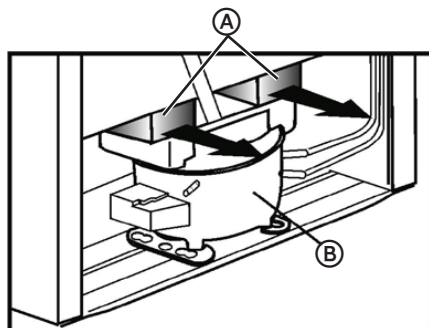
Utiliser deux ou plus de personnes pour déplacer et installer le réfrigérateur.

Le non-respect de cette instruction peut causer une blessure au dos ou d'autres blessures.

## RETRAIT DES MATÉRIEAUX D'EMBALLAGE

- Enlever tout résidu de ruban adhésif et de colle des surfaces du réfrigérateur avant de le mettre en marche. Frotter une petite quantité de savon liquide à vaisselle sur l'adhésif avec les doigts. Rincer à l'eau tiède et sécher.
- Ne pas utiliser d'instruments coupants, d'alcool à friction, de liquides inflammables ou de nettoyants abrasifs pour enlever le ruban adhésif ou la colle. Ces produits peuvent endommager la surface du réfrigérateur. Pour plus de renseignements, voir "Sécurité du réfrigérateur".
- Retirer la ou les cale(s) en polystyrène insérée(s) entre le moteur du compresseur et la caisse comme illustré.

**REMARQUE :** Ne pas retirer le plateau de vidange en plastique situé au-dessus du moteur du compresseur sur les modèles à dégivrage automatique.



- Ⓐ Cales en polystyrène
- Ⓑ Compresseur

- Jeter/recycler tous les matériaux d'emballage.

#### Lors du déplacement de votre réfrigérateur :

Votre réfrigérateur est lourd. Lors du déplacement de votre réfrigérateur pour le nettoyage ou un entretien ou réparation, veiller à recouvrir le plancher avec du carton ou un panneau de fibre dur pour éviter qu'il ne subisse tout dommage. Toujours tirer le réfrigérateur tout droit lors du déplacement. Ne pas incliner le réfrigérateur d'un côté ou de l'autre ni le « faire marcher » en essayant de le déplacer car le sol pourrait être endommagé.

## NETTOYAGE AVANT UTILISATION

Après avoir enlevé tous les matériaux d'emballage, nettoyer l'intérieur du réfrigérateur avant de l'utiliser. Voir les instructions de nettoyage dans "Entretien du réfrigérateur".

#### Informations importantes à propos des tablettes et des couvercles en verre :

Ne pas nettoyer les tablettes ou les couvercles de verre avec de l'eau tiède lorsqu'ils sont froids. Les tablettes et couvercles peuvent se briser s'ils sont exposés à des changements de températures ou impacts soudains, tels qu'une chute. Le verre trempé est conçu pour se briser en de multiples petits morceaux de la taille de gravillons. Ceci est normal. Les tablettes en verre et les couvercles sont lourds. Les retirer à deux mains pour éviter de les faire tomber.

## INVERSION DU SENS D'OUVERTURE DE LA PORTE (FACULTATIF)

Si l'on souhaite inverser le sens d'ouverture de la porte de manière à ce que les portes s'ouvrent du côté opposé, consulter les instructions suivantes.

**IMPORTANT :** Les illustrations mentionnées dans les instructions suivantes sont incluses plus loin dans cette section. Voir l'illustration "Inversion du sens d'ouverture de la porte".

## RETRAIT DES PORTES

### ⚠ AVERTISSEMENT

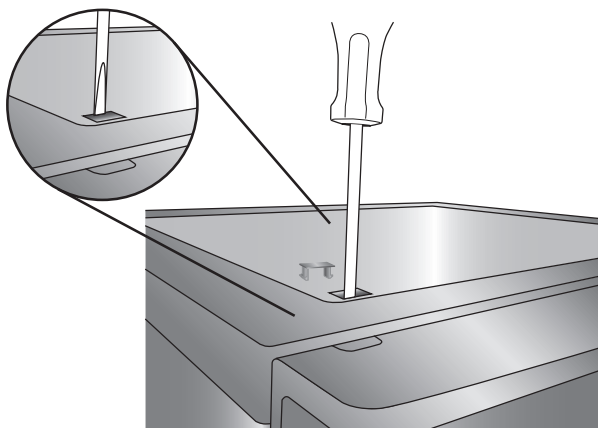
#### Risque du poids excessif

Utiliser deux ou plus de personnes pour déplacer et installer le réfrigérateur.

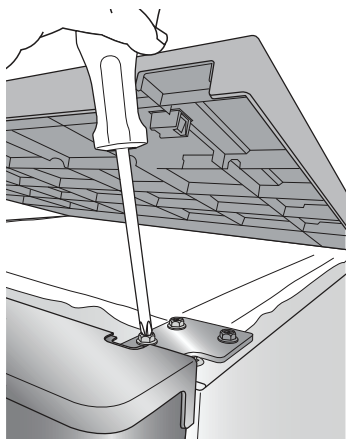
Le non-respect de cette instruction peut causer une blessure au dos ou d'autres blessures.

1. Débrancher le réfrigérateur ou déconnecter la source de courant électrique.
2. Retirer tous les aliments, tablettes, tiroirs, plateaux et balconnets de l'intérieur de la caisse ainsi que la porte.

- Retirer les pattes de chaque côté du sommet du réfrigérateur pour accéder aux vis et retirer les vis.



- Soulever l'avant du sommet du réfrigérateur suffisamment pour accéder aux vis de la charnière de porte.



- Retirer les boulons de la charnière supérieure et retirer la charnière supérieure (1).
- Soulever la porte du réfrigérateur pour la dégager de la charnière centrale (2).
- Dévisser les boulons et retirer la charnière centrale (3).
- Soulever la porte du congélateur pour la dégager de la charnière inférieure (4).
- Retirer les plaques en plastique de la garniture supérieure avant (5).
- À l'aide d'au moins deux personnes, incliner le réfrigérateur vers l'arrière à 45° pour accéder au pied de nivellement et le retirer (7 et 8).
- Retirer la porte inférieure et le pied de nivellement (9).

**REMARQUE :** Le pied de nivellement côté charnière doit être déplacé du côté opposé avec la charnière de la porte inférieure.

## INVERSION DES PORTES

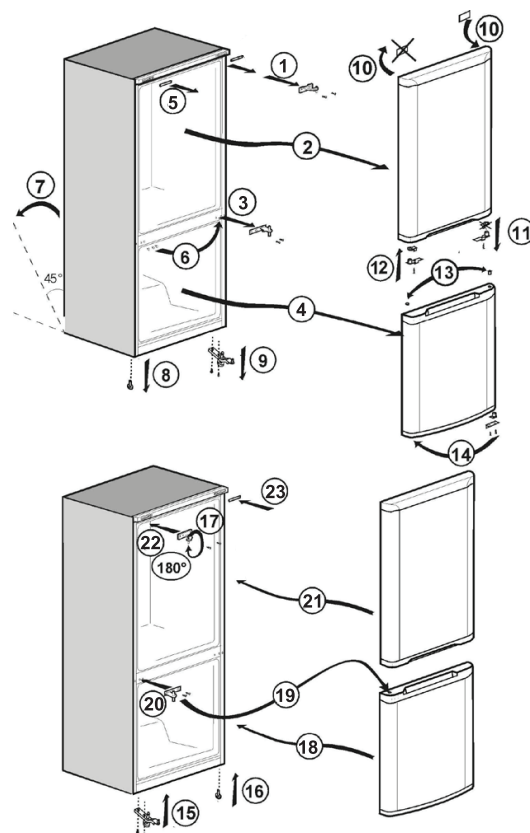
- Retirer les bouchons des orifices de la séparation centrale et placer les bouchons sur les orifices restants après le retrait de la charnière centrale (6).
- Retirer la plaque en plastique. Installer la butée (fournie dans le sachet de pièces) du côté opposé (10).
- Dévisser et retirer la bague de la charnière du milieu du bas de la porte du réfrigérateur (11).
- Installer la bague de la charnière du milieu (fournie dans le sachet de pièces) du côté opposé. (12)

- Retirer la bague de charnière et la butée de la porte du congélateur et les réinstaller sur le côté opposé de la porte (13).
- Retirer la bague de la charnière inférieure de la porte du congélateur et la réinstaller sur le côté opposé (14).

## RÉINSTALLATION DES PORTES

- Réassembler et installer la charnière inférieure sur le côté opposé. (15)
- À l'aide d'au moins deux personnes, réinsérer le pied de nivellement du côté opposé avec la charnière de porte inférieure (16).
- Faire pivoter la charnière supérieure à 180°. Dévisser la tige de la charnière et la réinstaller du côté opposé (17).
- Placer la porte du congélateur sur la charnière inférieure et fermer la porte (18).
- Placer la charnière centrale au sommet de la porte du congélateur (19).
- Fixer la charnière centrale à la caisse, puis aligner et régler les porte (20).
- Installer la porte du réfrigérateur au sommet de la charnière centrale. (21)
- Réinstaller la charnière supérieure et serrer les boulons (22).
- Réinstaller la plaque en plastique de la garniture supérieure avant (23).
- Serrer complètement tous les boulons.
- À l'aide d'au moins deux personnes, placer le réfrigérateur en position complètement verticale et régler l'aplomb à l'aide des pieds avant. Voir "Réglage de l'aplomb et de la porte".
- Remettre en place toutes les pièces amovibles dans la caisse et la porte.

## INVERSION DU SENS D'OUVERTURE DE LA PORTE



## NIVELLEMENT ET AJUSTEMENT DES PORTES (SI NÉCESSAIRE)

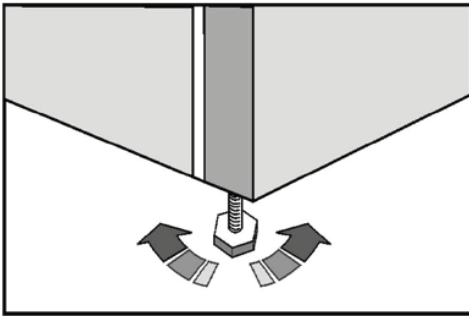
Le réfrigérateur doit être d'aplomb pour une performance et un aspect optimaux, et pour éviter les vibrations et le bruit excessifs.

### NIVELLEMENT

1. Déplacer le réfrigérateur jusqu'à son emplacement définitif sur un plancher plat et régulier.
2. Tourner les pieds situés en bas et à l'avant de la caisse pour élever ou abaisser le réfrigérateur, jusqu'à ce que le réfrigérateur soit d'aplomb dans le sens transversal.

**REMARQUE :** Le fait d'exercer une pression contre le dessus du réfrigérateur permet d'alléger le poids appliqué aux vis de nivellement. Ceci facilite le réglage des vis.

3. Tourner les deux pieds avant d'une manière identique pour élever légèrement l'avant du réfrigérateur. Cela permettra de fermer plus facilement les portes.



## ACHEVER L'INSTALLATION

### ⚠ AVERTISSEMENT



#### Risque de choc électrique

Brancher sur une prise à 3 alvéoles reliée à la terre.

Ne pas enlever la broche de liaison à la terre du cordon d'alimentation.

Ne pas utiliser un adaptateur.

Ne pas utiliser un câble de rallonge.

Le non-respect de cette instruction pourrait causer un décès, un incendie ou un choc électrique.

1. Attendre au moins 4 heures que le réfrigérant se répartisse dans le système avant de mettre en route le refroidissement.
2. Brancher sur une prise de courant à 3 alvéoles, reliée à la terre.
3. Attendre que le réfrigérateur ait refroidi à la température recommandée avant de le remplir d'aliments.



# UTILISATION DU RÉFRIGÉRATEUR

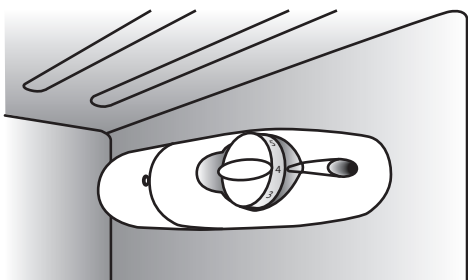
## COMMANDE DE LA TEMPÉRATURE

Le bouton rotatif de commande de la température permet de régler la température.

Tourner le bouton rotatif de commande de la température sur "4" (réglage recommandé).

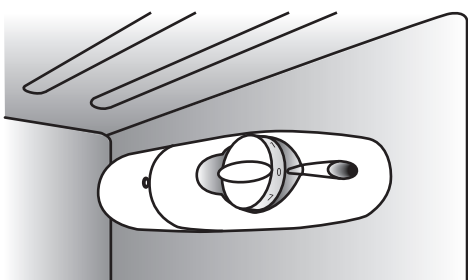
La température moyenne à l'intérieur du compartiment de réfrigération devrait être d'environ 37 °F (2,8 °C). Il sera peut-être nécessaire de régler la commande de température pour obtenir la température désirée.

### Position "4" (réglage recommandé)



### Pour DÉSACTIVER le refroidissement :

Placer le bouton rotatif de commande de la température à la position "0" (arrêt).



### Pour régler la température :

Le bouton rotatif peut être placé sur n'importe quelle position entre 1 (température la moins froide) et 7 (température la plus froide).

**REMARQUE :** Les sections du compartiment de réfrigération peuvent être plus froides ou plus tièdes (comme par exemple le bac à salade et la partie supérieure de la caisse). Ceci est normal.

La température interne peut augmenter en raison de l'ouverture fréquente de la porte. Il est donc conseillé de fermer la porte aussitôt que possible après usage.

## ENTREPOSAGE

### TABLETTES PLEINE LARGEUR

La hauteur des tablettes peut être réglée pour convenir à vos besoins d'entreposage.

1. Pour retirer une tablette, soulever les coins avant et arrière pour dégager les crochets de la tablette des supports de tablette situés sur la paroi du réfrigérateur, et tirer vers l'extérieur.



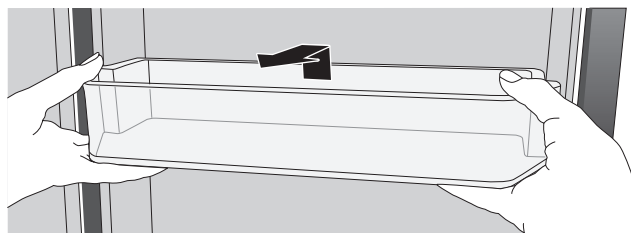
2. Pour réinstaller une tablette, faire reposer la tablette sur les supports avant et arrière. Pousser la tablette vers l'arrière du réfrigérateur jusqu'à ce que l'arrière de la tablette s'accroche aux supports arrière de la tablette.

### BALCONNETS

Les balconnets peuvent être enlevés pour faciliter le nettoyage.

#### Retrait d'un balconnet :

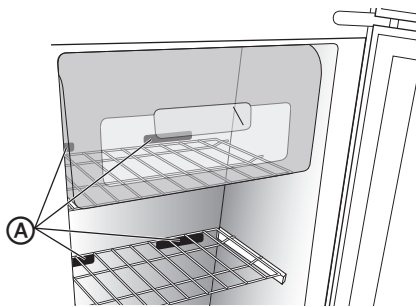
1. Placer les mains de chaque côté du balconnet et soulever vers le haut.
2. Tirer sur le balconnet pour le retirer.



## CONGÉLATEUR

Le compartiment de congélation convient à l'entreposage à long terme d'aliments achetés congelés, et peut également être utilisé pour congeler des aliments frais.

**IMPORTANT :** Le ventilateur à l'intérieur du compartiment de congélation fait circuler l'air froid indispensable au bon fonctionnement du congélateur. Veiller à ce que des aliments ou des emballages n'obstruent pas les conduits d'air. La température interne du congélateur peut augmenter et mener à une décongélation en raison d'une obstruction des conduits d'air.



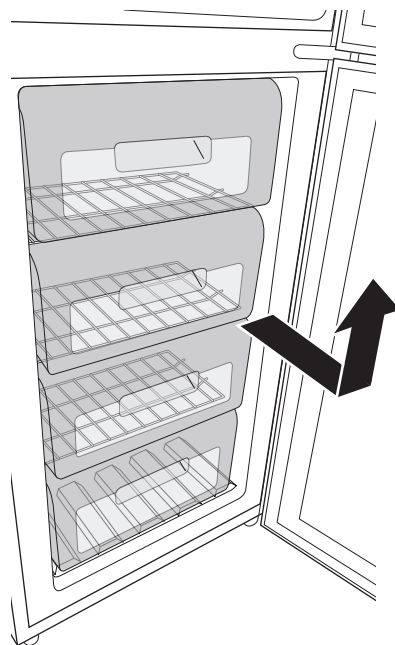
(A) Conduits d'air

## ENTREPOSAGE DANS LE CONGÉLATEUR

Votre nouveau congélateur vous offre le choix de tiroirs ou de tablettes pour entreposer vos articles à congeler. Retirer n'importe quel tiroir du congélateur pour utiliser la tablette qui se trouve en-dessous.

### Retrait d'un tiroir :

1. Tirer le tiroir le plus loin possible.
2. Retirer le tiroir en l'inclinant vers le haut.
3. Entreposer le tiroir pour utilisation ultérieure dans un endroit où il ne sera pas endommagé.



## ENTRETIEN DU RÉFRIGÉRATEUR

### NETTOYAGE

Nettoyer les compartiments de congélation et de réfrigération environ une fois par mois afin d'éviter une accumulation d'odeurs. Essuyer les renversements immédiatement.

### ⚠ AVERTISSEMENT



#### Risque d'explosion

Utiliser un produit de nettoyage ininflammable.

Le non-respect de cette instruction peut causer un décès, une explosion ou un incendie.

### IMPORTANT:

- Ne pas utiliser de produits chimiques corrosifs, d'ammoniaque, d'agent de blanchiment, de détergents concentrés, de solvant ou de tampons à récurer métalliques ou abrasifs pour nettoyer l'intérieur ou l'extérieur du réfrigérateur. Ceux-ci peuvent endommager et/ou décolorer le fini du réfrigérateur.
- Ne pas nettoyer les tablettes de verre à l'eau chaude lorsque celles-ci sont encore froides. Le verre peut se briser lorsqu'il est exposé à un impact ou à un changement brusque de température.

1. Débrancher le réfrigérateur ou déconnecter la source de courant électrique.

2. Laver les pièces amovibles et les surfaces intérieures à l'aide d'une éponge propre ou d'un linge doux et un détergent doux dilué dans de l'eau tiède. Rincer soigneusement et bien sécher.
3. Nettoyer les surfaces extérieures.

**Métal peint :** Laver les parties métalliques extérieures à l'aide d'un chiffon ou d'une éponge doux/douce et propre et d'un détergent doux dans de l'eau tiède. Rincer les surfaces avec une eau propre et tiède et sécher immédiatement afin d'éviter d'éventuelles taches laissées par l'eau.

**Acier inoxydable :** L'acier inoxydable est résistant à la corrosion et non anticorrosion. Pour éviter la corrosion sur l'acier inoxydable, laver les surfaces en acier inoxydable à l'aide d'un chiffon ou d'une éponge doux/douce et propre et d'un détergent doux dans de l'eau tiède. Rincer les surfaces avec une eau propre et tiède et sécher immédiatement afin d'éviter d'éventuelles taches laissées par l'eau.

**REMARQUE :** Lors du nettoyage de l'acier inoxydable, toujours frotter dans le sens du grain afin d'éviter d'érafler la surface.

4. Nettoyer le condensateur au minimum tous les ans. Nettoyer la poussière accumulée sur le condensateur à l'aide d'un aspirateur.

**REMARQUE :** Le condensateur se trouve à l'arrière du réfrigérateur.

5. Brancher le réfrigérateur ou reconnecter la source de courant électrique.



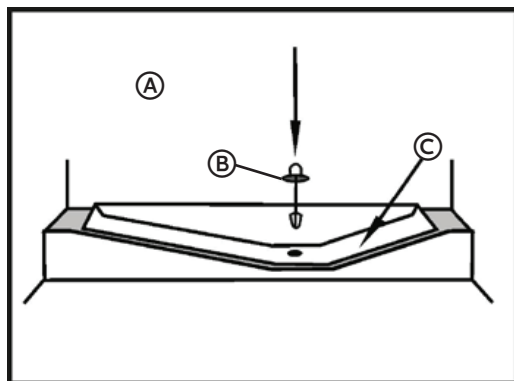
## DÉCONGÉLATION

Les compartiments de réfrigération et de congélation se dégivrent automatiquement. Il est normal d'observer une légère accumulation de givre sur la paroi réfrigérante pour aliments frais. Si l'on observe une accumulation excessive de givre, il est peut-être nécessaire d'augmenter la température en réglant le bouton rotatif de commande de la température sur un chiffre inférieur (réglage moins froid). Voir "Commandes".

L'eau de dégivrage s'écoule par une goutte de récupération de l'eau de dégivrage et dans le conduit de vidange relié au plateau de vidange à l'arrière du réfrigérateur. Pour éviter tout renversement d'eau sur le plancher, il est important de veiller à ce que l'extrémité du conduit de vidange soit entièrement inséré dans le plateau de vidange.

Si l'eau de dégivrage ne s'écoule pas de la goutte de récupération de l'eau de dégivrage, vérifier que le conduit de vidange n'est pas obstrué. Le conduit de vidange peut être nettoyé à l'aide d'un nettoie-pipe ou en poussant le poussoir en plastique (fourni) dans le conduit de vidange.

Durant la décongélation, des gouttelettes d'eau peuvent se former à l'arrière du compartiment de réfrigération, là où se trouve un évaporateur dissimulé. Une quantité d'humidité demeure sur la paroi réfrigérante pour aliments frais (paroi arrière) et gèle de nouveau lorsque le dégivrage est terminé. Ne pas utiliser d'objets pointus ou acérés tels que des couteaux ou des fourchettes pour éliminer les gouttelettes gelées.



- (A) Paroi arrière du réfrigérateur
- (B) Poussoir en plastique
- (C) Goutte de récupération de l'eau de dégivrage

## PANNE DE COURANT

En cas de panne de courant, ne pas ouvrir la porte du congélateur. Les aliments congelés ne devraient pas être affectés si l'électricité est rétablie dans les heures qui suivent.

En cas de panne de courant prolongée, vérifier que les aliments ne sont pas décongelés.

## ÉCLAIRAGE

En fonction de votre modèle, la lampe située derrière la commande de température peut être une ampoule DEL ou une ampoule à incandescence. Pour commander une ampoule de rechange pour votre modèle, appeler le 1-877-337-3639 ou visiter le site Web [www.haieramerica.com/support](http://www.haieramerica.com/support).

### Remplacement d'une ampoule :

**REMARQUE :** Il sera peut-être nécessaire de retirer la tablette supérieure pour accéder à l'ampoule.

1. Débrancher le réfrigérateur ou déconnecter la source de courant électrique.
2. Retirer la vis fixant le couvre-ampoule, puis retirer le couvre-ampoule.
3. Retirer l'ampoule grillée et la remplacer par une ampoule de même taille, forme et puissance.

### IMPORTANT :

- NE PAS remplacer par une ampoule à incandescence d'une puissance supérieure à 10 watts.
  - Le compartiment de réfrigération est considéré comme un environnement mouillé/humide, et certaines ampoules DEL de rechange ne sont pas recommandées pour des environnements mouillés/humides. Avant l'installation, lire et respecter toutes les instructions figurant sur l'emballage de l'ampoule DEL.
4. Réinstaller le protège-ampoule.
  5. Brancher le réfrigérateur et reconnecter la source de courant électrique.

# PRÉCAUTIONS À PRENDRE POUR LES VACANCES OU LE DÉMÉNAGEMENT

## VACANCES

**Si vous choisissez de laisser le réfrigérateur en marche pendant votre absence :**

1. Consommer toutes les denrées périssables et congeler les autres articles.

**Si vous choisissez d'éteindre le réfrigérateur avant votre absence :**

1. Enlever tous les aliments du réfrigérateur et du congélateur.
2. Débrancher le réfrigérateur ou déconnecter la source de courant électrique.
3. Nettoyer le réfrigérateur, l'essuyer et bien le sécher.
4. À l'aide d'un ruban adhésif, placer des blocs de caoutchouc ou de bois dans la partie supérieure de chaque porte de façon à ce qu'elles soient suffisamment ouvertes pour permettre l'entrée de l'air à l'intérieur, afin d'éviter l'accumulation d'odeurs ou de moisissure.

## DÉMÉNAGEMENT

### ⚠ AVERTISSEMENT



#### Incendie ou Risque d'explosion

Ne pas perforer le circuit frigorigène.

Suivre attentivement les instructions de manipulation.

Utilisation d'un liquide frigorigène inflammable.

Le non-respect de cette instruction peut causer un décès, une explosion ou un incendie.

**IMPORTANT :** Manipuler avec précautions lorsque l'on déplace le réfrigérateur soit pour éviter d'endommager le circuit frigorigène, soit pour diminuer le risque de fuites.

### ⚠ AVERTISSEMENT

#### Risque du poids excessif

Utiliser deux ou plus de personnes pour déplacer et installer le réfrigérateur.

Le non-respect de cette instruction peut causer une blessure au dos ou d'autres blessures.

En cas de déplacement du réfrigérateur dans une nouvelle habitation, suivre ces instructions pour préparer le déménagement.

#### IMPORTANT :

- Si possible, déplacer le réfrigérateur en position verticale. Si le réfrigérateur doit être déplacé en position horizontale, il doit être placé uniquement sur son côté droit (lorsque l'on fait face à l'avant du réfrigérateur). Après avoir placé le réfrigérateur en position debout, attendre au moins 12 heures pour permettre au système de se mettre en place avant de brancher le réfrigérateur.
1. Retirer tous les aliments du réfrigérateur et placer tous les aliments congelés dans de la neige carbonique.
  2. Débrancher le réfrigérateur.
  3. Vider toute l'eau du plateau de vidange.
  4. S'assurer que le conduit de vidange pour l'eau de dégivrage à l'arrière du réfrigérateur est attaché au plateau de vidange en haut du compresseur pour éviter que l'eau de dégivrage ne se renverse sur le plancher.
  5. Retirer toutes les pièces amovibles, bien les envelopper et les attacher ensemble avec du ruban adhésif pour qu'elles ne bougent ou ne s'entrechoquent pas durant le déménagement.
  6. Laver et rincer l'intérieur, puis sécher soigneusement.
  7. Soulever les pieds de nivellement pour qu'ils n'éraflent pas le sol. Voir "Réglage de l'aplomb".
  8. Fermer les portes à l'aide de ruban adhésif et fixer le cordon d'alimentation à la partie arrière du réfrigérateur.
  9. À l'arrivée au nouveau domicile, remettre en place toutes les pièces et consulter la section "Instructions d'installation".

# DÉPANNAGE

Veillez essayer les solutions suggérées ci-dessous afin d'éviter le coût d'un appel de service inutile.

## LE RÉFRIGÉRATEUR NE FONCTIONNE PAS

PROBLÈME	CAUSE(S) POSSIBLE(S)	SOLUTION
Le réfrigérateur ne fonctionne pas	Le réfrigérateur est débranché.	Brancher le cordon d'alimentation électrique dans la prise de courant.
	Le disjoncteur est ouvert ou déclenché/un fusible est grillé.	Réenclencher le disjoncteur ou remplacer le fusible.
	Le réfrigérateur est en mode de dégivrage.	Attendre environ 40 minutes que le programme de dégivrage se termine et que le système de refroidissement redémarre.
Le compresseur du réfrigérateur se met en route souvent ou pendant des périodes prolongées. <b>REMARQUE :</b> Ce réfrigérateur a été conçu pour fonctionner pendant des périodes prolongées avec une consommation d'énergie inférieure.	Ceci est normal lorsque le réfrigérateur est branché pour la première fois.	Accorder 24 heures pour que le réfrigérateur refroidisse.
	Des aliments chauds ou de grosses quantités d'aliments ont été ajoutés.	Ceci est normal.
	La porte a été laissée ouverte.	S'assurer qu'un article ne bloque pas la fermeture de la porte.
	Temps chaud ou ouvertures fréquentes.	Ceci est normal.
	Commande de la température au réglage le plus froid.	Ajuster la température à un réglage plus chaud.
Le réfrigérateur a une odeur	Les emballages alimentaires ne sont pas étanches ou les aliments ne sont pas emballés correctement.	Refermer hermétiquement les emballages. Placer une boîte ouverte de bicarbonate de soude dans le réfrigérateur, remplacer tous les 3 mois.
	L'intérieur a besoin d'être nettoyé.	Nettoyer l'intérieur. Voir "Nettoyage".
	Les aliments ont été conservés trop longtemps.	Jeter les aliments abîmés.
La lumière ne s'allume pas	Le réfrigérateur est débranché.	Brancher le réfrigérateur à la source de courant électrique.
	L'ampoule est grillée.	Remplacer l'ampoule grillée. Voir "Éclairage".
Les portes ne ferment pas correctement	Le réfrigérateur n'est pas de niveau.	Voir "Nivellement".
	Quelque chose bloque la fermeture de la porte.	Vérifier et retirer tout obstacle.
Vibration ou cliquetis	Le réfrigérateur n'est pas en contact ferme avec le plancher.	Voir "Réglage de l'aplomb".
Sons normaux	Son donnant l'impression que de l'eau s'écoule du réfrigérateur.	Ce son est émis par le réfrigérant qui s'écoule dans les canalisations lorsque le compresseur se met en marche et s'arrête. Le réfrigérateur est équipé d'un système de dégivrage automatique. Ce son est émis par l'eau dégivrée.
	Ronflement ou bourdonnement.	Ce son peut être émis par le compresseur et les ventilateurs servant à la circulation de l'air froid. Si le réfrigérateur n'est pas d'aplomb, le son sera plus fort.
	Craquements ou cliquetis.	Ce son est émis par les parties intérieures lorsqu'elles se contractent ou se dilatent en réponse à des changements de température.

## TEMPÉRATURE ET HUMIDITÉ

PROBLÈME	CAUSE(S) POSSIBLE(S)	SOLUTION
Le réfrigérateur ou le congélateur est trop chaud	La commande de la température n'est pas placée à un réglage suffisamment bas.	Régler la température du compartiment à un réglable plus froid; attendre 24 heures que la température s'ajuste.
	Porte ouverte souvent ou laissée ouverte.	Maintenir la porte fermée / vérifier qu'un emballage ne bloque pas la fermeture de la porte.
	Des aliments tièdes ont été ajoutés récemment.	Attendre que les aliments et le réfrigérateur aient refroidi.
	Il n'y a pas assez d'espace entre l'arrière du réfrigérateur et le mur.	Laisser un espace libre d'au moins 4" (10 cm) entre l'arrière du réfrigérateur et le mur.
	Les articles dans le fond des compartiments empêchent l'air de circuler correctement.	Ranger les articles à l'intérieur des bordures des tablettes de verre; ne pas placer d'articles contre les parois des compartiments ou directement devant les ouvertures d'aération.
Le réfrigérateur ou le congélateur est trop froid	La commande de la température est placée à un réglage trop bas.	Augmenter la température du compartiment au réglage inférieur (plus chaud) suivant; attendre 24 heures que la température s'ajuste.
Humidité sur l'extérieur/ l'intérieur du réfrigérateur	Forte présence d'humidité.	Ceci est normal. La condensation sur la paroi arrière du compartiment de réfrigération est causée par l'utilisation de la technologie de paroi réfrigérante pour aliments frais. Voir "Pièces et caractéristiques".
	Porte ouverte souvent ou laissée ouverte.	Garder la porte fermée. Vérifier qu'un emballage ne bloque pas la fermeture de la porte.
	Récipient d'eau ouvert dans le réfrigérateur.	Couvrir ou fermer le récipient hermétiquement.
Givre ou cristaux de glace sur les aliments surgelés	La porte du congélateur est restée ouverte ou est ouverte trop fréquemment.	Vérifier qu'un emballage ne bloque pas la fermeture complète de la porte. Limiter les ouvertures de porte.
	Des articles bloquent les ouvertures d'aération du congélateur et empêchent l'air de circuler librement.	Éloigner les articles de la paroi arrière.
Les aliments gèlent dans le réfrigérateur	Aliments placés trop près de l'ouverture d'aération.	Retirer les articles de l'arrière et du sommet du réfrigérateur.
	La commande de la température est placée à un réglage trop froid.	Ajuster la température du congélateur à un chiffre inférieur (réglage moins froid).

**POUR OBTENIR DE L'AIDE SUPPLÉMENTAIRE, VISITER [HAIERAMERICA.COM](http://HAIERAMERICA.COM) OU CONTACTER LA LIGNE D'ASSISTANCE À LA CLIENTÈLE AU 1-877-337-3639.**

# GARANTIE LIMITÉE

## SERVICE À DOMICILE

### GARANTIE COMPLÈTE D'UN AN

Pendant 12 mois à compter de la date d'achat d'origine, Haier réparera ou remplacera gratuitement n'importe quelle pièce (main-d'œuvre comprise) comportant un défaut de matériau ou de fabrication.

Haier peut choisir à sa seule discrétion de remplacer ou réparer des pièces, des sous-systèmes ou le produit tout entier.

Le produit doit être accessible, dégagé et installé correctement pour bénéficier du service de réparation sous garantie.

### GARANTIE LIMITÉE

Après un an à compter de la date d'achat d'origine en magasin, Haier fournira à ses frais, tel que stipulé ci-dessous, une pièce pour remplacer la pièce défectueuse résultant d'un vice de matière ou de fabrication. Haier ne prend en charge que le coût de la pièce. Tous les autres coûts tels que main-d'œuvre, déplacement, etc. sont à la charge du propriétaire.

#### De la deuxième à la cinquième année

Pendant 60 mois à compter de la date d'achat d'origine en magasin. Composants du circuit étanche (p. ex. compresseur hermétique, condenseur et évaporateur) contre tout vice de fabrication. Les éventuels dégâts à ces composants provoqués par des contraintes mécaniques abusives ou des méthodes de transport et de manipulation incorrectes ne seront pas pris en charge.

**REMARQUE :** Cette garantie entre en vigueur à la date d'achat de l'article et le bon d'achat d'origine doit être présenté à l'agent de service agréé préalablement à une quelconque réparation sous garantie.

**Exceptions :** Garantie à usage commercial

**90 jours sur la main-d'œuvre à compter de la date d'achat d'origine**

**90 jours sur les pièces à compter de la date d'achat d'origine**

**Aucune autre garantie ne s'applique.**

## SERVICE AU TITRE DE LA GARANTIE

Contactez le centre de dépannage autorisé le plus proche. Tout dépannage doit être effectué par un centre de dépannage autorisé Haier. Pour le nom et le numéro de téléphone du centre de dépannage autorisé le plus proche de votre domicile, composer le 1-877-337-3639.

Avant d'appeler le centre, veuillez garder à disposition les renseignements suivants :

Numéros de plaque signalétique de l'appareil. Le nom et l'adresse du revendeur auprès duquel vous avez acheté l'appareil, ainsi que la date d'achat.

Une description claire du problème rencontré.

Une preuve d'achat (reçu de vente).

**Cette garantie est valable pour le service des appareils domestiques aux États-Unis contigus et au Canada et lorsque le service est disponible, en Alaska, à Hawaï et Porto Rico.**

## Cette garantie ne couvre pas :

Le remplacement ou la réparation des fusibles, disjoncteurs, du câblage ou du circuit de plomberie du domicile.

Un produit dont le numéro de série d'origine a été enlevé ou modifié.

Tous frais de dépannage non identifiés comme étant normaux tel un dépannage dans une zone ou une tranche horaire normale.

Remplacement de la lumière bubls

Les dommages liés à l'expédition.

Les dommages liés à une installation ou un entretien inadapté.

Les dommages causés par l'un des éléments suivants : Mauvaise utilisation, utilisation abusive, accident, incendie ou catastrophe naturelle.

Les dommages résultant d'un dépannage fourni par une entité autre qu'un revendeur ou centre de dépannage autorisé Haier.

Les dommages causés par un courant, une tension ou une alimentation électrique incorrects.

Les dommages résultant d'une quelconque modification ou altération du produit ou d'un ajustement non autorisé par Haier.

Un ajustement des commandes utilisées par le consommateur tel qu'identifié dans le manuel de l'utilisateur.

Les tuyaux, boutons, plateaux à charpie et tout accessoire ou pièce jetable.

Les frais de main-d'œuvre, transport pour dépannage et d'expédition pour le retrait et le remplacement de pièces défectueuses au-delà de la période de 12 mois.

Les dommages liés à une utilisation autre qu'une utilisation domestique normale.

Tout frais de transport et d'expédition.

**CETTE GARANTIE LIMITÉE REMPLACE TOUTE AUTRE GARANTIE EXPRESSE OU IMPLICITE, Y COMPRIS, MAIS PAS SEULEMENT, LES GARANTIES IMPLICITES, Y COMPRIS LES GARANTIES DE QUALITÉ MARCHANDE OU D'APTITUDE À UN USAGE PARTICULIER**

Le recours offert dans cette garantie est exclusif et se substitue à toute autre garantie.

Cette garantie ne couvre pas les dommages fortuits ou indirects; aussi les limitations décrites ci-dessus peuvent ne pas s'appliquer à votre cas. Certains États ne permettent pas de limitation sur la durée d'une garantie implicite, aussi les limitations décrites ci-dessus peuvent ne pas s'appliquer à votre cas.

Cette garantie vous confère des droits juridiques spécifiques. Vous pouvez également jouir d'autres droits qui peuvent varier d'un État à l'autre.

Haier America  
Wayne, NJ 07470

# ÍNDICE

<b>SEGURIDAD DEL REFRIGERADOR</b> .....	<b>29</b>
<b>PIEZAS Y CARACTERÍSTICAS</b> .....	<b>30</b>
Pared fría para alimentos frescos (pared trasera del compartimiento del refrigerador).....	31
<b>REQUISITOS DE INSTALACIÓN</b> .....	<b>31</b>
Requisitos de ubicación .....	31
Requisitos eléctricos .....	31
<b>INSTRUCCIONES DE INSTALACIÓN</b> .....	<b>32</b>
Desempaque el refrigerador .....	32
Cambio del sentido de abertura de la puerta (opcional) .....	32
Nivelación y ajuste de la puerta (si es necesario) .....	34
Finalización de la instalación .....	34
<b>USO DE SU REFRIGERADOR</b> .....	<b>35</b>
Control de temperatura .....	35
Almacenamiento.....	35
Congelador.....	36
<b>CUIDADO DEL REFRIGERADOR</b> .....	<b>37</b>
Limpieza .....	37
Descongelación .....	37
Corte de energía .....	38
Luz .....	38
Cuidado durante las vacaciones y mudanzas.....	38
<b>SOLUCIÓN DE PROBLEMAS</b> .....	<b>39</b>
<b>GARANTÍA LIMITADA</b> .....	<b>41</b>

## INFORMACIÓN A TENER EN CUENTA

Le agradecemos la compra de este producto de marca Haier. Este manual para el usuario le ayudará a obtener el mejor funcionamiento de su nuevo refrigerador.

Para referencia futura, anote el modelo y número de serie ubicados en la pared interior del compartimiento del refrigerador, y la fecha de compra.

Engrape la prueba de compra de este manual para asistirle cuando necesite obtener servicio bajo la garantía.

---

Número de modelo

---

Número de serie

---

Fecha de compra

# SEGURIDAD DEL REFRIGERADOR

## Su seguridad y la seguridad de los demás es muy importante.

Hemos incluido muchos mensajes importantes de seguridad en este manual y en su electrodoméstico. Lea y obedezca siempre todos los mensajes de seguridad.



Este es el símbolo de advertencia de seguridad.

Este símbolo le llama la atención sobre peligros potenciales que pueden ocasionar la muerte o una lesión a usted y a los demás. Todos los mensajes de seguridad irán a continuación del símbolo de advertencia de seguridad y de la palabra "PELIGRO", "ADVERTENCIA" o "PRECAUCIÓN".

Estas palabras significan:

**▲ PELIGRO**

Se trata de una situación de peligro inminente. Si no sigue las instrucciones de inmediato, usted puede morir o sufrir una lesión grave.

**▲ ADVERTENCIA**

Se trata de una situación posiblemente peligrosa que, de no evitarse, podría causar la muerte o una lesión grave.

**▲ PRECAUCIÓN**

Se trata de una situación posiblemente peligrosa que, de no evitarse, podría causar lesiones moderadas o leves.

Todos los mensajes de seguridad le dirán el peligro potencial, le dirán cómo reducir las posibilidades de sufrir una lesión y lo que puede suceder si no se siguen las instrucciones.

## INSTRUCCIONES IMPORTANTES DE SEGURIDAD

**ADVERTENCIA:** Para reducir el riesgo de incendio, choque eléctrico, lesiones a personas o daños al utilizar el refrigerador, siga precauciones básicas, incluyendo las siguientes:

- Conecte el aparato a un tomacorriente de 3 terminales con conexión a tierra.
- No quite el terminal de conexión a tierra.
- No use un adaptador.
- No use un cable eléctrico de extensión.
- Desconecte el suministro de energía antes de darle servicio técnico.
- Vuelva a colocar todas las piezas y paneles antes de ponerlo en funcionamiento.
- El refrigerante usado es inflamable. La reparación debe ser efectuada solamente por personal capacitado para dar servicio. No perfore el tubo refrigerante.
- El refrigerante usado es inflamable. Deshágase del refrigerador correctamente siguiendo las normas federales y locales.
- El refrigerante usado es inflamable. Siga con cuidado todas las instrucciones de manipulación. Riesgo de incendio o explosión debido a una perforación en el tubo refrigerante.
- Use un limpiador no inflamable.
- Mantenga los materiales y vapores inflamables, tales como la gasolina, alejados del refrigerador.
- Con la ayuda de dos o más personas, mueva e instale el refrigerador.
- Este refrigerador no debe estar empotrado ni integrado en un armario cerrado. Se ha diseñado para instalarse de forma independiente únicamente.
- Si no utiliza el refrigerador, quite las puertas. De esta manera, reducirá la posibilidad de ocasionar daños a los niños.

**LEA Y GUARDE ESTAS INSTRUCCIONES**



## CÓMO DESHACERSE ADECUADAMENTE DE SU APARATO REFRIGERADOR VIEJO

### ⚠️ ADVERTENCIA

#### Peligro de asfixia

Quite las puertas de su aparato refrigerador viejo.

No seguir esta instrucción puede ocasionar la muerte o daño al cerebro.

**IMPORTANTE:** El atrapamiento y asfixia de niños no es un problema del pasado. Un aparato refrigerador desechado y abandonado es un peligro, aun si va a quedar ahí "por unos pocos días". Si usted está por deshacerse de su aparato refrigerador viejo, siga las instrucciones a continuación para evitar accidentes.

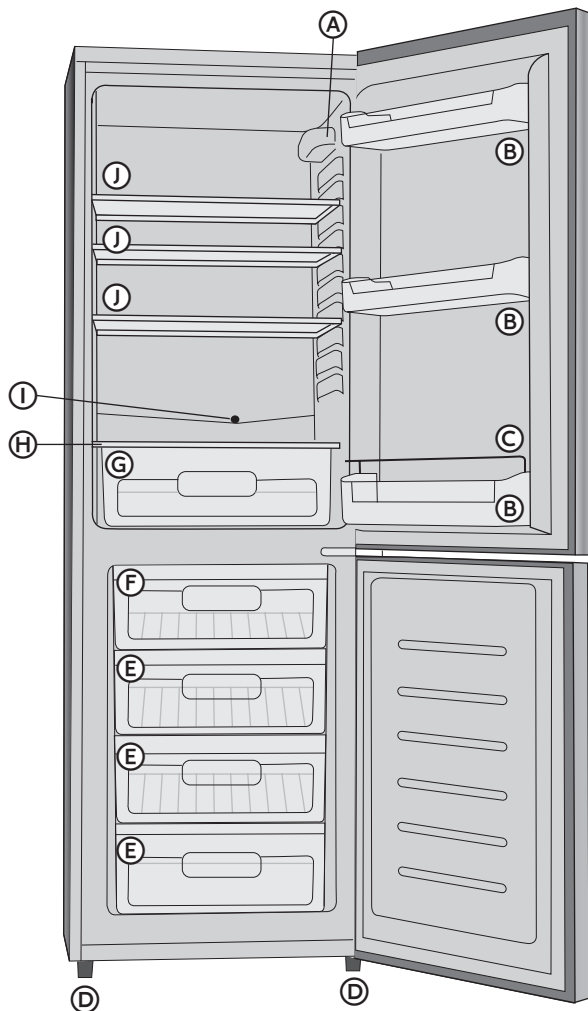
Antes de descartar su aparato refrigerador o congelador viejo:

- Quite las puertas.
- Deje los estantes en su lugar así los niños no pueden meterse adentro con facilidad.

#### Información importante para saber acerca del desecho de refrigerantes:

Deshágase del refrigerador siguiendo los reglamentos federales y locales. Los refrigerantes deberán ser evacuados por un técnico certificado en refrigeración por EPA (Agencia de protección del medioambiente) según los procedimientos establecidos.

## PIEZAS Y CARACTERÍSTICAS



- Ⓐ Cuadrante de control y luz interior
- Ⓑ Recipientes de la puerta (3)
- Ⓒ Retén de botellas
- Ⓓ Patas regulables
- Ⓔ Cajones para almacenamiento de alimentos congelados (3)
- Ⓕ Compartimiento para almacenamiento de alimentos congelados
- Ⓖ Compartimiento del cajón para verduras
- Ⓗ Tapa del compartimiento del cajón para verduras
- Ⓘ Desagüe
- Ⓙ Estantes de ancho completo (3)

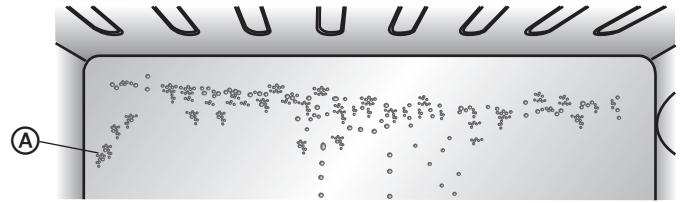


# PARED FRÍA PARA ALIMENTOS FRESCOS (PARED TRASERA DEL COMPARTIMIENTO DEL REFRIGERADOR)

Su nuevo refrigerador tiene una tecnología de pared fría para almacenar de mejor manera los alimentos perecederos.

La pared trasera del compartimiento del refrigerador promueve la condensación de la humedad, de manera similar a lo que ve en las góndolas de productos agrícolas del almacén.

El exceso de humedad caerá en el desagüe en la parte inferior de la pared.



A Condensación de la humedad

## REQUISITOS DE INSTALACIÓN

### REQUISITOS DE UBICACIÓN

#### ⚠ ADVERTENCIA



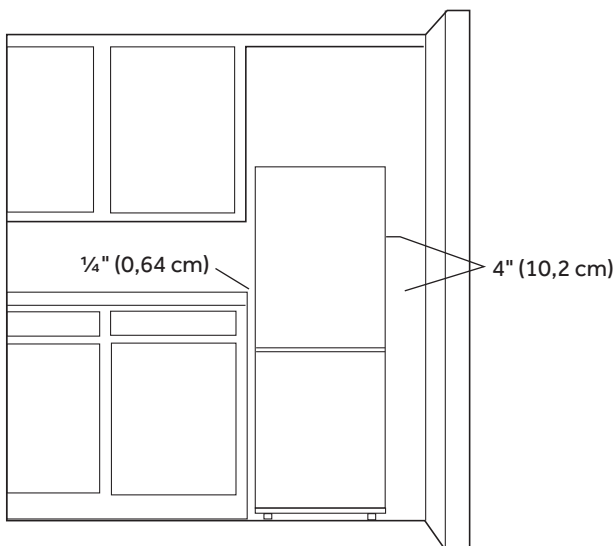
#### Peligro de Explosión

Mantenga los materiales y vapores inflamables, tales como gasolina, alejados del aparato.

No seguir esta instrucción puede ocasionar la muerte, explosión, o incendio.

**IMPORTANTE:** Este refrigerador ha sido diseñado únicamente para usarse dentro del hogar. Este refrigerador no debe estar empotrado ni integrado en un armario cerrado. Se ha diseñado para instalarse de forma independiente únicamente.

Para asegurar la adecuada ventilación de su refrigerador, deje un mínimo de ¼" (0,64 cm) de espacio a cada lado de la nevera y 4" (10 cm) de espacio detrás del refrigerador. La zona superior del refrigerador debe estar abierto. Si instala el refrigerador próximo a una pared fija, deje como mínimo 4" (10 cm) para permitir que la puerta abra bien.



**NOTA:** Este refrigerador ha sido diseñado para usarse en un lugar en donde los rangos de temperatura varíen entre un mínimo de 55 °F (13 °C) y un máximo de 110 °F (43 °C). Para un óptimo rendimiento, el rango preferido de temperatura ambiente (que reduce el uso de electricidad y provee un enfriamiento superior) es entre 60 °F (16 °C) y 90 °F (32 °C). No se recomienda instalar el refrigerador cerca de una fuente de calor, como puede ser un horno o un radiador, o directamente a la luz del sol.

### REQUISITOS ELÉCTRICOS

#### ⚠ ADVERTENCIA



#### Peligro de Choque Eléctrico

Conecte a un contacto de pared de conexión a tierra de 3 terminales.

No quite el terminal de conexión a tierra del cable de alimentación.

No use un adaptador.

No use un cable eléctrico de extensión.

No seguir estas instrucciones puede ocasionar la muerte, incendio o choque eléctrico.

Antes de mover el refrigerador a su ubicación final, es importante asegurarse de que tiene la conexión eléctrica adecuada.

#### Método de conexión a tierra recomendado

Se requiere un suministro eléctrico de 115 voltios, 60 hertzios, CA solamente, de 15 o 20 amperios y protegido con fusibles, conectado a tierra. Se recomienda utilizar un circuito separado solo para su refrigerador. Use un tomacorriente que no se pueda apagar con un interruptor. No use un cable eléctrico de extensión.

**NOTA:** Antes de realizar cualquier tipo de instalación o limpieza, desconecte el refrigerador de la fuente de suministro eléctrico. Cuando haya terminado, vuelva a conectar el refrigerador a la fuente de energía eléctrica y reajuste los controles de temperatura en la posición deseada.

# INSTRUCCIONES DE INSTALACIÓN

## DESEMPAQUE EL REFRIGERADOR

### ⚠️ ADVERTENCIA



#### Peligro de Explosión o Incendio

No perforo el tubo refrigerante.

Siga con cuidado las instrucciones de manipulación.

El refrigerante usado es inflamable.

No seguir esta instrucción puede ocasionar la muerte, explosión, o incendio.

**IMPORTANTE:** Al mover el refrigerador, manipúlelo con cuidado para evitar daños en el tubo refrigerante o incrementar los riesgos de fugas.

### ⚠️ ADVERTENCIA

#### Peligro de Peso Excesivo

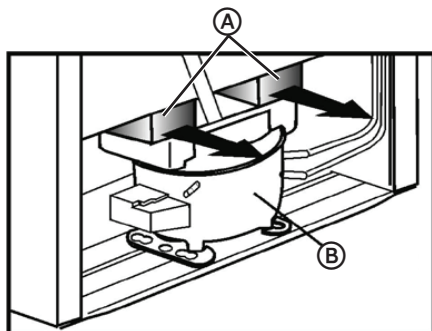
Use dos o más personas para mover e instalar el refrigerador.

No seguir esta instrucción puede ocasionar una lesión en la espalda u otro tipo de lesiones.

## CÓMO QUITAR EL EMPAQUE

- Quite los restos de cinta y goma de las superficies de su refrigerador antes de encenderlo. Frote un poco de detergente líquido para vajilla sobre el adhesivo con los dedos. Limpie con agua tibia y seque.
- No use instrumentos filosos, alcohol isopropílico, líquidos inflamables o productos de limpieza abrasivos para eliminar los restos de cinta o goma. Estos productos pueden dañar la superficie de su refrigerador. Para obtener más información, vea "Seguridad del refrigerador".
- Quite los bloques de espuma insertados entre el motor del compresor y el gabinete, como se muestra.

**NOTA:** No quite la bandeja plástica de desagüe ubicada sobre el motor del compresor en los modelos con descongelación automática.



- (A) Bloques de espuma
- (B) Compresor

- Deshágase de todos los materiales de empaque o recíclelos.

#### Cuando mueva su refrigerador:

Su refrigerador es pesado. Cuando mueva el refrigerador para la limpieza o para darle servicio, cerciórese de cubrir el piso con cartón o madera para evitar daños en este. Al mover el refrigerador, siempre tire directamente hacia afuera. No menee el refrigerador de lado a lado ni lo haga "caminar" cuando trate de moverlo, ya que podría dañar el suelo.

## LIMPIEZA ANTES DEL USO

Una vez que usted haya quitado todos los materiales de empaque, limpie el interior del refrigerador antes de usarlo. Vea las instrucciones de limpieza en "Cuidado del refrigerador".

#### Información importante acerca de los estantes y tapas de vidrio:

No limpie los estantes y tapas de vidrio con agua caliente mientras estén fríos. Los estantes y tapas pueden romperse si se exponen a cambios bruscos de temperatura o a impactos como golpes bruscos. El vidrio templado se ha diseñado para hacerse añicos. Esto es normal. Los estantes y tapas de vidrio son muy pesados. Use ambas manos al quitarlos para evitar que se caigan.

## CAMBIO DEL SENTIDO DE ABERTURA DE LA PUERTA (OPCIONAL)

Si desea cambiar el sentido de abertura de la puerta para que se abra en el lado opuesto, lea las siguientes instrucciones.

**IMPORTANTE:** Las ilustraciones a las que se hace referencia en las siguientes instrucciones se incluyen más adelante en esta sección. Vea el gráfico "Cambio del sentido de abertura de la puerta".

## CÓMO QUITAR LAS PUERTAS

### ⚠️ ADVERTENCIA

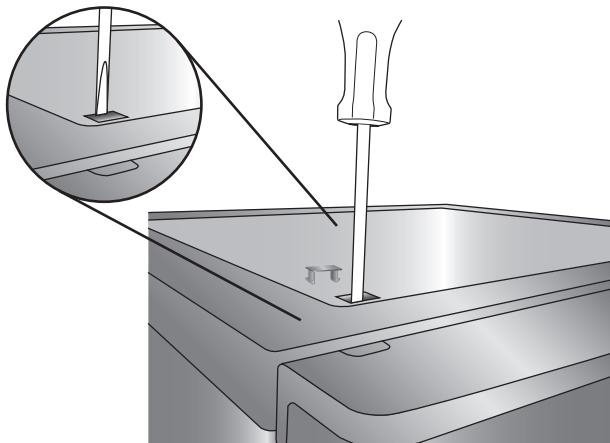
#### Peligro de Peso Excesivo

Use dos o más personas para mover e instalar el refrigerador.

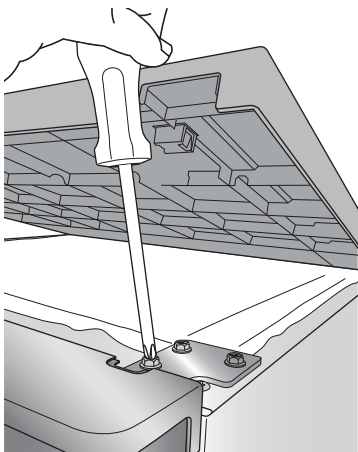
No seguir esta instrucción puede ocasionar una lesión en la espalda u otro tipo de lesiones.

1. Desenchufe el refrigerador o desconecte el suministro de energía.
2. Saque todos los alimentos, los estantes, los cajones, las bandejas y los recipientes del gabinete interior del refrigerador y la puerta.

3. Quite las lengüetas de ambos lados de la parte superior del refrigerador para acceder a los tornillos y quítelos.



4. Levante la parte frontal del refrigerador a una altura suficiente como para acceder a los tornillos de la bisagra de la puerta.



5. Quite los pernos de la bisagra superior y sáquela (1).
6. Levante la puerta del refrigerador desde la bisagra central (2).
7. Desatornille los pernos y quite la bisagra central (3).
8. Levante la puerta del congelador desde la bisagra inferior (4).
9. Quite la cubierta de plástico de la moldura superior del frente (5).
10. Con la ayuda de dos o más personas, incline el refrigerador hacia atrás a un ángulo de 45° para acceder y quitar la pata niveladora (7 y 8).
11. Quite la puerta inferior y la pata niveladora (9).

**NOTA:** La pata niveladora del lado de la bisagra se debe mover hacia el lado opuesto con la bisagra de la puerta inferior.

## CAMBIO DEL SENTIDO DE ABERTURA DE LAS PUERTAS

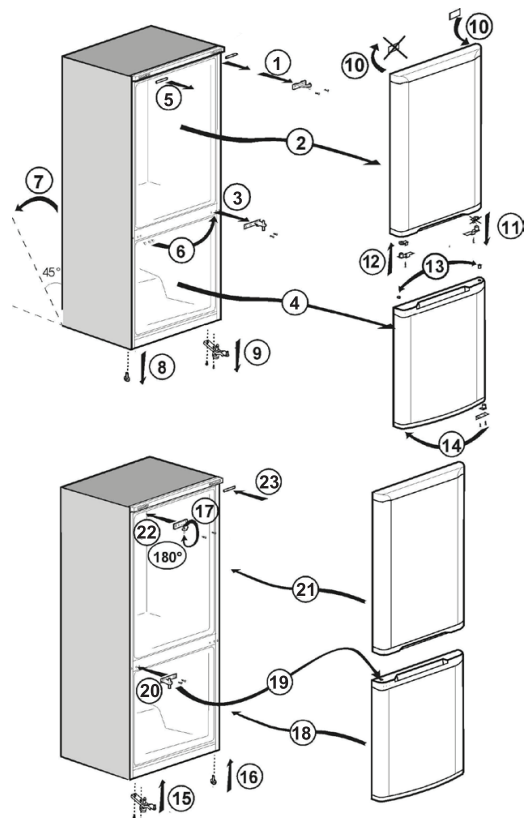
1. Quite los tapones de los orificios del divisor central y colóquelos en los orificios restantes después de quitar la bisagra central (6).
2. Quite la tapa de plástico. Coloque el tapón (provisto en la bolsa de piezas), hacia el lado opuesto (10).
3. Desatornille y quite el casquillo de la bisagra del medio desde la parte inferior de la puerta del refrigerador (11).
4. Coloque el casquillo de la bisagra del medio (provisto en la bolsa de piezas) en el lado opuesto. (12)

5. Quite el casquillo de la bisagra y el tapón de la puerta del congelador y vuelva a colocar cada uno en el lado opuesto de la puerta. (13)
6. Quite el casquillo de la bisagra inferior de la puerta del congelador y vuelva a colocarlo en el lado opuesto. (14)

## VUELVA A COLOCAR LAS PUERTAS

1. Vuelva a ensamblar e instalar la bisagra inferior del lado opuesto. (15)
2. Con la ayuda de dos o más personas, vuelva a colocar la pata niveladora en el lado opuesto con la bisagra de la puerta inferior. (16)
3. Gire la bisagra superior 180°. Desatornille el pasador de la bisagra y vuelva a instalarlo en el lado opuesto. (17)
4. Coloque la puerta del congelador sobre la bisagra inferior y cierre la puerta. (18)
5. Coloque la bisagra central en la parte superior de la puerta del congelador. (19)
6. Sujete la bisagra central al gabinete y, luego, proceda a alinear y regular las puerta. (20)
7. Instale la puerta del refrigerador arriba de la bisagra central. (21)
8. Vuelva a instalar la bisagra superior y ajuste los pernos. (22)
9. Vuelva a instalar la cubierta de plástico sobre la moldura superior del frente. (23)
10. Ajuste por completo todos los pernos.
11. Con la ayuda de dos o más personas, coloque el refrigerador en posición completamente vertical y ajuste las patas frontales para nivelar. Vea "Nivelación y regulación de la puerta".
12. Vuelva a colocar todas las partes desmontables al gabinete y la puerta.

## CAMBIO DEL SENTIDO DE ABERTURA DE LA PUERTA



## NIVELACIÓN Y AJUSTE DE LA PUERTA (SI ES NECESARIO)

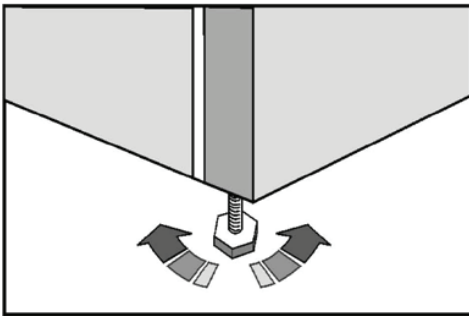
El refrigerador debe estar nivelado para mantener un mejor desempeño y apariencia, y para evitar el exceso de ruido y vibración.

### NIVELACIÓN

1. Mueva el refrigerador a su ubicación final sobre un piso firme y plano.
2. Gire los pies en la parte inferior, la parte frontal del armario para subir o bajar ese lado del refrigerador hasta que el aparato esté nivelado de lado a lado.

**NOTA:** Para quitar un poco de peso de los tornillos niveladores, haga que alguien empuje la parte superior del refrigerador. Esto facilita el giro de los tornillos.

3. Gire las dos patas frontales, la misma cantidad de veces, para elevar ligeramente el frente del refrigerador. Esto hará que las puertas se cierren con más facilidad.



## FINALIZACIÓN DE LA INSTALACIÓN

### ⚠ ADVERTENCIA



#### Peligro de Choque Eléctrico

Conecte a un contacto de pared de conexión a tierra de 3 terminales.

No quite el terminal de conexión a tierra del cable de alimentación.

No use un adaptador.

No use un cable eléctrico de extensión.

No seguir estas instrucciones puede ocasionar la muerte, incendio o choque eléctrico.

1. Espere como mínimo 4 horas para permitir que se asiente el sistema de enfriamiento antes de encender el enfriamiento.
2. Conecte el aparato a un tomacorriente de 3 terminales con conexión a tierra.
3. Antes de agregar los alimentos, espere a que el refrigerador se haya enfriado y alcanzado las temperaturas recomendadas.

# USO DE SU REFRIGERADOR

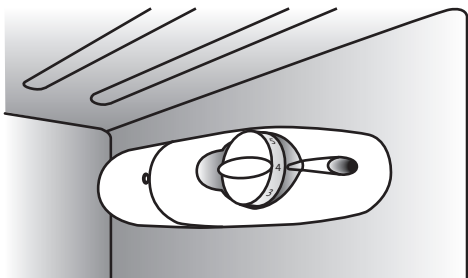
## CONTROL DE TEMPERATURA

Las temperaturas se controlan con el cuadrante de control de temperatura.

Fije el cuadrante de control de temperatura en el ajuste recomendado "4" del cuadrante.

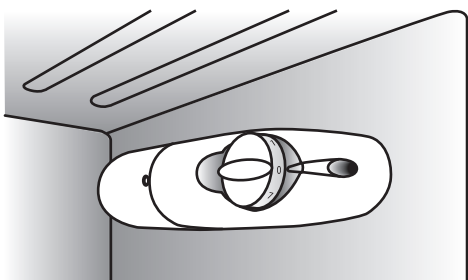
La temperatura promedio dentro del compartimiento del refrigerador debe ser de aproximadamente 37 °F (2,8 °C). Puede ser que necesite regular el control de temperatura para obtener la temperatura deseada.

### Ajuste recomendado "4"



### Para apagar el enfriamiento:

Gire el cuadrante de control de temperatura hacia la posición "0" OFF (Apagado).



### Para regular la temperatura:

El control se puede fijar en cualquier posición entre 1 (menos frío) y 7 (más frío).

**NOTA:** Algunas secciones del compartimiento del refrigerador podrían estar más frías o cálidas (como el cajón para verduras y la parte superior del gabinete), lo cual es normal.

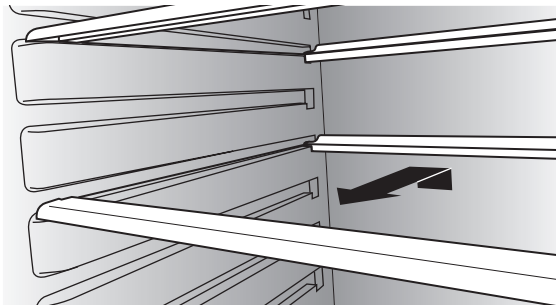
Si se abre la puerta con frecuencia, la temperatura interna aumentará; por lo tanto, cierre la puerta lo antes posible después de cada uso.

## ALMACENAMIENTO

### ESTANTES DE ANCHO COMPLETO

La altura de los estantes se puede regular para adaptarse a sus necesidades de almacenamiento.

1. Para quitar un estante, levante la parte frontal y el borde posterior para desenganchar los ganchos del estante de los soportes del estante a lo largo de la pared del refrigerador y quitarlo.



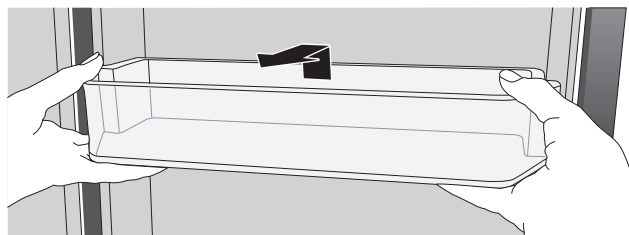
2. Para volver a instalar un estante, colóquelo en los soportes frontales y traseros. Empuje el estante hacia la parte trasera del refrigerador hasta la parte posterior de los ganchos del estante alrededor de los soportes del estante trasero.

### RECIPIENTES DE LA PUERTA

Los recipientes de la puerta pueden quitarse para limpiarlos:

#### Para quitar un recipiente de la puerta:

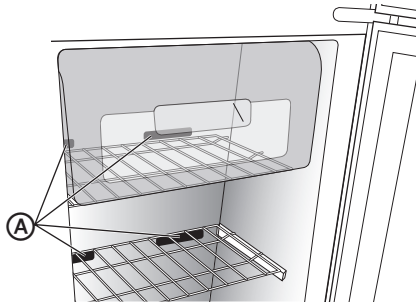
1. Coloque las manos a ambos lados del recipiente y levántelo hacia arriba.
2. Jálalo para quitarlo.



## CONGELADOR

El compartimiento del congelador es adecuado para el almacenamiento a largo plazo de alimentos congelados comercialmente y también se puede usar para congelar alimentos frescos.

**IMPORTANTE:** El ventilador ubicado dentro del compartimiento del congelador hace circular el aire frío que es esencial para el funcionamiento del congelador. Asegúrese de que los conductos de aire no estén bloqueados por alimentos o paquetes. El bloqueo de los conductos de aire puede aumentar la temperatura interna del congelador (descongelación).



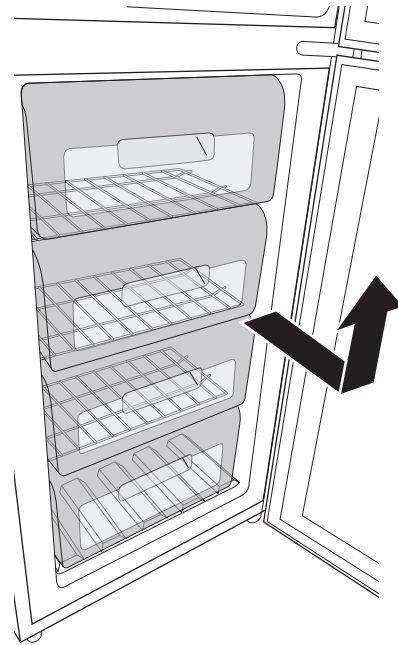
Ⓐ Conductos de aire

## ALMACENAMIENTO EN EL CONGELADOR

Su nuevo refrigerador ofrece la flexibilidad de almacenamiento en cajones o en estantes para satisfacer sus necesidades de almacenamiento en el congelador. Quite cualquier cajón del congelador para utilizar el estante de abajo.

### Para quitar un cajón:

1. Jale el cajón lo más que pueda.
2. Inclínelo hacia arriba para quitarlo.
3. Guarde el cajón para uso futuro en una ubicación donde no sufra daños.





# CUIDADO DEL REFRIGERADOR

## LIMPIEZA

Limpie los compartimientos del congelador y el refrigerador más o menos una vez al mes para evitar la acumulación de olores. Limpie los derrames de inmediato.

### ⚠ ADVERTENCIA



#### Peligro de Explosión

Use un limpiador no inflamable.

No seguir esta instrucción puede ocasionar la muerte, explosión o incendio.

#### IMPORTANTE:

- No use productos químicos fuertes, amoníaco, blanqueador con cloro, detergente concentrado, solventes o estropajos de metal o abrasivos para limpiar su refrigerador por dentro o por fuera. Estos pueden dañar o decolorar el acabado del refrigerador.
  - No utilice agua tibia para limpiar los estantes de vidrio mientras aún están fríos. El vidrio se podría romper si se lo expone a cambios bruscos de temperatura o a impactos.
1. Desenchufe el refrigerador o desconecte el suministro de energía.
  2. Con una esponja limpia o un paño suave y detergente suave disuelto en agua tibia, lave las piezas removibles y las superficies interiores. Enjuague bien y seque por completo.
  3. Limpie las superficies exteriores.

**Metal pintado:** Limpie el exterior de metal pintado con un paño limpio y liso, o una esponja y detergente suave en agua tibia. Enjuague las superficies con agua tibia limpia y séquelas inmediatamente para evitar las manchas de agua.

**Acero inoxidable:** El acero inoxidable es resistente a la corrosión y no a prueba de corrosión. Para ayudar a evitar la corrosión del acero inoxidable, lave las superficies de acero inoxidable con un paño limpio y liso o una esponja y un detergente suave en agua tibia. Enjuague las superficies con agua tibia limpia y séquelas inmediatamente para evitar las manchas de agua.

**NOTA:** Cuando limpie el acero inoxidable, siempre hágalo en la dirección de la veta para evitar rayas perpendiculares a esta.

4. Limpie el condensador al menos una vez al año. Con una aspiradora, quite el polvo acumulado en el condensador.

**NOTA:** El condensador se encuentra en la parte posterior del refrigerador.

5. Enchufe el refrigerador o vuelva a conectar el suministro de energía.

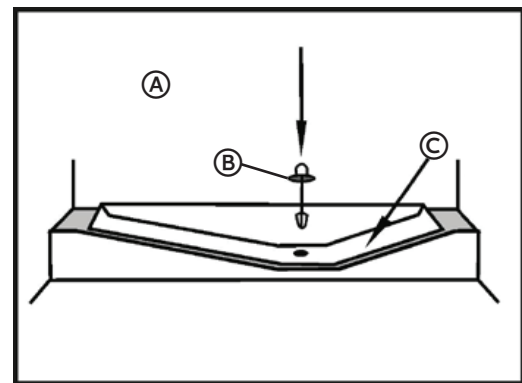
## DESCONGELACIÓN

Los compartimientos del refrigerador y del congelador se descongelan automáticamente. Es normal observar una pequeña cantidad de escarcha acumulada en la pared fría para alimentos frescos. Si la cantidad de escarcha se torna excesiva, es posible que deba aumentar la temperatura regulando el cuadrante de control de temperatura a un ajuste con un número inferior (menos frío). Vea "Control".

El agua de la descongelación pasa por un canal de recolección e ingresa en el tubo de desagüe sujeto a la bandeja de desagüe en la parte posterior del refrigerador. Para evitar derramar agua en el piso, es importante asegurarse de que el extremo del tubo de desagüe esté colocado completamente dentro de la bandeja de desagüe.

Si el agua de descongelación no desagota del canal de recolección, verifique que el tubo de desagüe esté limpio. Para limpiar el tubo de drenaje, utilice un limpiador de tuberías o empuje un émbolo de plástico (provisto) por el tubo de drenaje.

Durante la descongelación, es posible que se formen gotas de agua en la parte posterior del compartimiento del refrigerador donde se encuentra el evaporador oculto. Quedará algo de humedad en la pared fría para alimentos frescos (pared trasera) y se volverá a congelar cuando finalice la descongelación. No utilice objetos puntiagudos o filosos como cuchillos o tenedores para quitar las gotas congeladas.



- (A) Pared trasera del refrigerador
- (B) Émbolo plástico
- (C) Canal de recolección del agua de descongelación

## CORTE DE ENERGÍA

Si hubiera un corte de energía, no abra la puerta del congelador. Los alimentos congelados no se verán afectados si la energía se restablece dentro de algunas horas.

Si la energía se corta durante un período prolongado, verifique los alimentos para ver si se han descongelado.

## LUZ

Según el modelo, el foco de luz ubicado detrás del control de temperatura puede usarse como un foco LED o incandescente. Para ordenar un foco de luz de reemplazo para su modelo, llame al 1-877-337-3639 o visítenos en [www.haieramerica.com/support](http://www.haieramerica.com/support).

### Para reemplazar el foco de luz:

**NOTA:** Puede ser que necesite quitar el estante superior para acceder al foco de luz.

1. Desenchufe el refrigerador o desconecte el suministro de energía.
2. Quite el tornillo que sujeta la pantalla de luz y luego retírela.
3. Quite el foco quemado y reemplácelo con un foco para electrodomésticos del mismo tamaño, forma y vatíaje.

### IMPORTANTE:

- NO reemplace con un foco incandescente superior a 10 vatios.
  - El compartimiento del refrigerador se considera un lugar mojado/húmedo y algunos focos LED de repuesto no se recomiendan para ambientes mojados/húmedos. Antes de la instalación, lea y siga todas las instrucciones en el empaque del LED.
4. Vuelva a colocar la pantalla de luz.
  5. Enchufe el refrigerador o reconecte el suministro de energía.

## CUIDADO DURANTE LAS VACACIONES Y MUDANZAS

### VACACIONES

**Si usted decide dejar el refrigerador funcionando mientras está ausente:**

1. Use todos los artículos perecederos y congele el resto.

**Si decide apagar el refrigerador antes de irse:**

1. Quite toda la comida del refrigerador y del congelador.
2. Desenchufe el refrigerador o desconecte el suministro de energía.
3. Limpie el refrigerador, pásele un trapo y séquelo bien.
4. Fije bloques de goma o de madera con cinta adhesiva en la parte superior de ambas puertas para que queden abiertas y el aire circule. Esto evita que se formen olores y se desarrollen hongos.

## MUDANZA

### ⚠ ADVERTENCIA



#### Peligro de Explosión o Incendio

No perforo el tubo refrigerante.

Siga con cuidado las instrucciones de manipulación.

El refrigerante usado es inflamable.

No seguir esta instrucción puede ocasionar la muerte, explosión, o incendio.

**IMPORTANTE:** Al mover el refrigerador, manipúlelo con cuidado para evitar daños en el tubo refrigerante o incrementar los riesgos de gases.

### ⚠ ADVERTENCIA

#### Peligro de Peso Excesivo

Use dos o más personas para mover e instalar el refrigerador.

No seguir esta instrucción puede ocasionar una lesión en la espalda u otro tipo de lesiones.

Si muda su refrigerador a una casa nueva, siga estas instrucciones para prepararse para la mudanza.

### IMPORTANTE:

- Si fuera posible, mude el refrigerador en posición vertical. Si debe mover el refrigerador de manera horizontal, se debe colocar solo sobre el lado derecho (mirando hacia el frente del refrigerador). Después de colocar el refrigerador en posición vertical, espere al menos 12 horas para que se asiente el sistema antes de enchufar el refrigerador.
1. Saque todos los alimentos del refrigerador y empaque todos los alimentos congelados en hielo seco.
  2. Desenchufe el refrigerador.
  3. Vacíe el agua en la bandeja de desagüe.
  4. Asegúrese de que el tubo de desagüe del agua de descongelación de la parte posterior del refrigerador esté sujeto a la bandeja de desagüe en la parte superior del compresor, para evitar que el agua de descongelación caiga al piso.
  5. Saque todas las partes desmontables, envuélvalas bien y asegúrelas con cinta adhesiva para que no se muevan ni sacudan durante la mudanza.
  6. Lave y enjuague el interior y luego seque por completo.
  7. Levante las patas niveladoras para que no dañen el piso. Vea "Nivelación".
  8. Sostenga con cinta adhesiva las puertas para que queden cerradas y el cable quede pegado a la parte posterior del refrigerador.
  9. Cuando llegue a la casa nueva, coloque todo de nuevo en su sitio y consulte la sección "Instrucciones de instalación".



# SOLUCIÓN DE PROBLEMAS

Pruebe las soluciones sugeridas aquí y posiblemente se evite el gasto de una visita de servicio técnico.

## EL REFRIGERADOR NO FUNCIONA

PROBLEMA	POSIBLE(S) CAUSA(S)	SOLUCIÓN
El refrigerador no funciona	El refrigerador no está enchufado.	Enchufe el cable de suministro de energía en la fuente de energía.
	Se ha disparado o se ha apagado el cortacircuitos/Se ha quemado un fusible.	Reajuste/Encienda el cortacircuitos o reemplace el fusible.
	El refrigerador está en modo de descongelación.	Espere unos 40 minutos para que finalice el ciclo de descongelación y se reanude el sistema de refrigeración.
El compresor del refrigerador funciona con frecuencia o durante largos períodos de tiempo  <b>NOTA:</b> Este refrigerador ha sido diseñado para funcionar durante períodos más largos de tiempo con un consumo de energía más bajo.	El refrigerador se enchufó por primera vez.	Esto es normal. Deje transcurrir 24 horas para que el refrigerador se enfríe.
	Se han agregado alimentos tibios o una gran cantidad de alimentos.	Esto es normal.
	La puerta está abierta.	Asegúrese de que la puerta no queda abierta a causa de un artículo.
	Hace calor o se abre con frecuencia.	Esto es normal.
	Control de temperatura fijo en la posición más fría.	Ajuste la temperatura a un ajuste más caliente.
El refrigerador huele mal	Los alimentos no están sellados o envasados correctamente.	Vuelva a sellar los envases. Coloque una caja abierta con bicarbonato de sodio en el refrigerador y cámbiela cada 3 meses.
	Debe limpiar el interior.	Limpie el interior. Vea "Limpieza".
	Se han guardado los alimentos por mucho tiempo.	Deseche los alimentos que se han echado a perder.
La luz no se enciende	El refrigerador no está enchufado.	Enchufe el refrigerador a una fuente de energía.
	La luz está quemada.	Reemplace la bombilla quemada. Vea "Luces".
Las puertas no cierran correctamente	El refrigerador no está nivelado.	Vea "Nivelación".
	Algo está obstruyendo el cierre de la puerta.	Revise si hay obstrucciones y quítelas.
Vibración o traqueteo	El refrigerador no está apoyado firmemente en el suelo.	Vea "Nivelación".
Sonidos normales	Se escucha un sonido como si fluyera agua del refrigerador.	El refrigerante que fluye por las líneas hace este sonido cuando se enciende y se apaga el compresor.
		El refrigerador tiene un sistema de descongelación automático. El sonido es ocasionado por el agua descongelada.
	Zumbidos o chirridos	Este sonido es ocasionado por el compresor y los ventiladores de circulación de aire frío. Si el refrigerador no está nivelado, el sonido será más fuerte.
	Crujidos o chasquidos	Este sonido es ocasionado por las piezas interiores cuando se contraen y se expanden en respuesta a los cambios de temperatura.

## TEMPERATURA Y HUMEDAD

PROBLEMA	POSIBLE(S) CAUSA(S)	SOLUCIÓN
Refrigerador o congelador demasiado caliente	El control de temperatura no está en un ajuste suficientemente bajo.	Ajuste el compartimiento a un ajuste más frío; espere 24 horas para que se ajuste la temperatura.
	Las puertas se abren con frecuencia o quedan abiertas.	Mantenga la puerta cerrada/Verifique que no haya un paquete que evite que se cierre la puerta.
	Se agregaron alimentos calientes recientemente.	Deje transcurrir un rato para que se enfrien los alimentos y el refrigerador.
	El espacio entre la parte posterior del refrigerador y la pared es demasiado pequeño.	Deje un espacio de por lo menos 4" (10 cm) entre la parte posterior del refrigerador y la pared.
	Los artículos ubicados contra la parte posterior de los compartimientos están bloqueando el flujo de aire adecuado.	Almacene los artículos únicamente dentro de los estantes de vidrio; no coloque los artículos contra los lados de los compartimientos o directamente enfrente de los ductos de ventilación.
Refrigerador o congelador demasiado frío	El control de temperatura se fijó en un ajuste demasiado bajo.	Fije la temperatura en el compartimiento en el próximo ajuste más cálido; espere 24 horas para que se ajuste.
Humedad en el exterior/interior del refrigerador	Humedad elevada	Esto es normal. La condensación en la pared trasera del compartimiento del refrigerador es ocasionada por el uso de la tecnología de pared fría para alimentos frescos. Vea "Piezas y características".
	Las puertas se abren con frecuencia o quedan abiertas.	Mantenga la puerta cerrada. Verifique que no haya un paquete que evite que se cierre la puerta.
	Recipiente con agua abierto en el refrigerador	Cubra o selle el recipiente.
Escarcha o cristales de hielo en alimentos congelados	La puerta del congelador queda abierta o se abre con frecuencia	Verifique que no haya un paquete que evite que se cierre la puerta por completo. Disminuya las veces que abre la puerta.
	Los artículos bloquean los ductos de ventilación del congelador e impiden el flujo de aire adecuado.	Aleje los artículos de la pared trasera.
Se congelan los alimentos en el refrigerador	Alimentos colocados demasiado cerca del ducto de ventilación.	Aleje los artículos de la parte posterior y superior del refrigerador.
	El control de temperatura tiene un ajuste demasiado frío.	Regule la temperatura a un ajuste con un número menor (menos frío).

**SI NECESITA MÁS AYUDA, VISITE [HAIERAMERICA.COM](http://HAIERAMERICA.COM) O COMUNÍQUESE CON LA LÍNEA DE AYUDA AL CONSUMIDOR LLAMANDO AL 1-877-337-3639.**

# GARANTÍA LIMITADA

## SERVICIO EN EL HOGAR

### GARANTÍA COMPLETA POR UN AÑO

Durante 12 meses a partir de la fecha de compra original en la tienda, Haier reparará o reemplazará cualquier pieza del aparato sin costo, incluyendo la mano de obra, si la misma falla debido a defectos en los materiales o en la mano de obra.

Haier puede reemplazar o reparar, a su sola discreción, cualquier pieza, subsistema, incluso el producto entero.

El producto debe ser accesible, sin inconvenientes, e instalarse de forma adecuada para recibir el servicio técnico de reparación por parte de la garantía.

### GARANTÍA LIMITADA

Después de un año a partir de la fecha de compra original en la tienda, Haier proveerá una pieza sin costo, como se indica a continuación, para reemplazar la pieza mencionada como resultado de defectos en los materiales o en la mano de obra. Haier se hará responsable solamente por el costo de la pieza. Cualquier otro costo como la mano de obra, los cargos por viaje, etc. será responsabilidad del propietario.

#### Del segundo al quinto año

Durante 60 meses a partir de la fecha de compra original en la tienda. Los componentes del sistema sellado (por ejemplo, compresor, condensador y evaporador herméticos) con defectos de fabricación. No se cubrirá ningún daño a tales componentes causados por excesivo uso mecánico o envío y manipulación inadecuada.

**NOTA:** Esta garantía comienza en la fecha de compra de este producto, y el recibo original deberá presentarse al representante autorizado de servicio antes de hacerse las reparaciones bajo la garantía.

**Excepciones:** Garantía bajo uso comercial

**90 días en la mano de obra a partir de la fecha de compra original**

**90 días en las piezas a partir de la fecha de compra original**

**No es aplicable ninguna otra garantía.**

### PARA OBTENER SERVICIO BAJO LA GARANTÍA

Todo servicio deberá ser realizado por un centro de servicio autorizado por Haier. Para obtener el nombre y el número de teléfono del centro de servicio autorizado más cercano, llame al 1-877-337-3639.

Antes de llamar, tenga a mano la siguiente información:

Número de modelo y de serie del aparato. El nombre y la dirección del distribuidor en donde compró la unidad y la fecha de compra.

Una descripción clara del problema.

Un comprobante de compra (recibo de compra).

**Esta garantía cubre servicios para electrodomésticos dentro de los Estados Unidos continental y Canadá y donde esté disponible en Alaska, Hawaii y Puerto Rico.**

### Lo que no está cubierto bajo esta garantía:

Reemplazo o reparación de fusibles domésticos, cortacircuitos, cableado o plomería.

Un producto cuyo número de serie original haya sido removido o alterado.

Cualquier cargo por servicio que no haya sido identificado específicamente como servicio normal, como puede ser el área o las horas de servicio.

Sustitución de las bombillas de luz.

Daños ocurridos durante el transporte.

Daños ocasionados por la instalación o el mantenimiento inadecuados.

Daños por el uso incorrecto, abuso, accidente, incendio, inundación o fenómenos de la naturaleza.

Daños debidos al servicio efectuado por un distribuidor o centro de servicio que sea diferente del autorizado por Haier.

Daños ocasionados por la corriente, el voltaje o el suministro eléctrico incorrectos.

Daños que resulten de cualquier modificación hecha en el producto, alteración o ajustes no autorizados por Haier.

Ajuste de los controles manejados por el cliente según han sido identificados en el manual del propietario.

Mangueras, perillas, bandejas de pelusa y todos los otros aditamentos, accesorios y piezas desechables.

Cargos por mano de obra, transporte para el servicio y envío para la remoción y el reemplazo de las piezas defectuosas que se efectúen después del período inicial de 12 meses.

Daños ocasionados por un uso diferente al doméstico normal.

Cualquier gasto de transporte y de envío.

**ESTA GARANTÍA LIMITADA REEMPLAZA TODAS LAS OTRAS GARANTÍAS, EXPRESAS O QUE INCLUYAN LAS GARANTÍAS DE COMERCIALIZACIÓN O DE CAPACIDAD PARA UN PROPÓSITO EN PARTICULAR**

El recurso provisto en esta garantía es exclusivo y está otorgado en lugar de cualquier otro recurso.

Esta garantía no cubre daños incidentales o consecuentes, de modo que las limitaciones indicadas anteriormente pueden no aplicarse en su caso. Algunos estados no permiten las limitaciones acerca de cuánto tiempo dura una garantía implícita, de modo que las limitaciones arriba indicadas quizás no le correspondan.

Esta garantía le otorga derechos legales específicos, y es posible que usted tenga otros derechos, los cuales varían de un estado a otro.

Haier America  
Wayne, NJ 07470

# IMPORTANT

Do Not Return This Product To The Store  
If you have a problem with this product, please contact the  
"Haier Customer Satisfaction Center" at  
1-877-337-3639.

DATED PROOF OF PURCHASE, MODEL #, AND SERIAL #  
REQUIRED FOR WARRANTY SERVICE

# IMPORTANT

Ne pas Réexpédier ce Produit au Magasin  
Pour tout problème concernant ce produit, veuillez contacter  
le service des consommateurs "Haier Customer Satisfaction Center" au  
1-877-337-3639.

PREUVE D'ACHAT DATÉE, NUMÉRO DE MODÈLE ET LE NUMÉRO DE SÉRIE  
REQUIS POUR LE SERVICE DE GARANTIE

# IMPORTANTE

No regrese este producto a la tienda  
Si tiene algún problema con este producto, por favor contacte el  
"Centro de Servicio al Consumidor de Haier" al  
1-877-337-3639 (Válido solo en E.U.A).

NECESITA UNA PRUEBA DE COMPRA FECHADA, NÚMERO DE MODELO  
Y DE SERIE PARA EL SERVICIO DE LA GARANTÍA

Made in China  
Fabriqué en Chine  
Hecho en China

# Haier

Haier America  
Wayne, NJ 07470