

Haier

Refrigerator / Freezer

**Réfrigérateur /
Congélateur**

**Refrigerador /
Congelador**

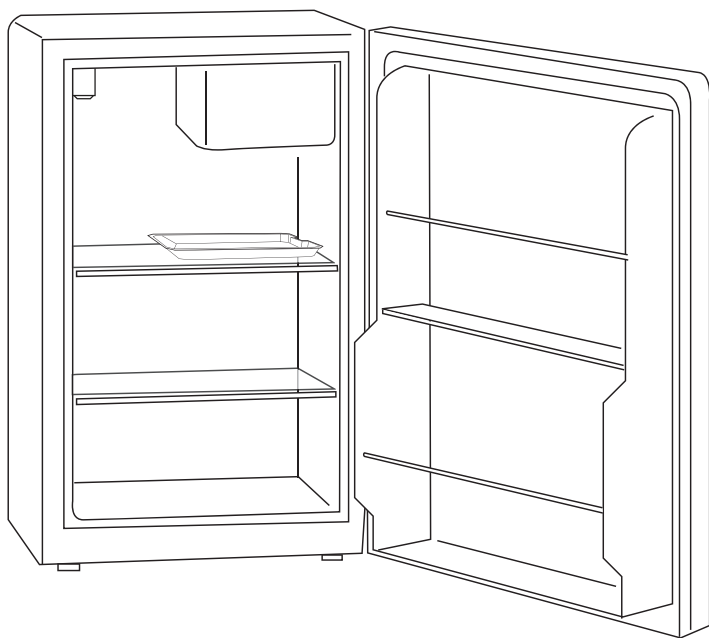
User Manual

Guide de l'Utilisateur

Manual del Usuario

HC27SF22RB

HC27SF22RW



SAFETY PRECAUTIONS

Read all of the instructions before using this appliance. When using this appliance, always exercise basic safety precautions, including the following:

NOTE: If the refrigerator has been placed in a horizontal or tilted position for any period of time wait 24 hours before plugging the unit in.

- 1) Use this appliance only for its intended purpose as described in this use and care guide.
- 2) This refrigerator must be properly installed in accordance with the installation instructions before it is used. See grounding instructions in the installation section.
- 3) Never unplug your refrigerator by pulling on the power cord. Always grasp the plug firmly and pull straight out from the outlet.
- 4) Repair or replace immediately, all electric service cords that have become frayed or otherwise damaged. Do not use a cord that shows cracks or abrasion damage along its length, the plug or the connector end.
- 5) Unplug your refrigerator before cleaning or before making any repairs.
Note: *If for any reason this product requires service, we strongly recommend that a certified technician performs the service.*
- 6) **DANGER** - Risk of Fire or Explosion. Flammable refrigerant used. Do not use Mechanical devices to defrost refrigerator. Do not puncture refrigerant tubing.
- 7) If your old refrigerator is not being used, we recommend that you remove the doors and leave the shelves in place. This will reduce the possibility of danger to children.
- 8) After your refrigerator is in operation, do not touch the cold surfaces in the freezer compartment, particularly when hands are damp or wet. Skin may adhere to these extremely cold surfaces.
- 9) Do not refreeze foods that have been thawed completely. The United States Department of Agriculture in Home and Garden Bulletin No. 69 reads: "...You may safely refreeze frozen foods that have thawed if they still contain ice crystals or if they are still cold-below 40°F.

“...Thawed ground meats, poultry, or fish that have any off-odor or off-color should not be refrozen and should not be eaten. Thawed ice cream should be discarded. If the odor or color of any food is poor or questionable, discard it. The food may be dangerous to eat.

“...Even partial thawing and re-freezing reduce the eating quality of foods, particularly fruits, vegetables, and prepared foods. The eating quality of red meats is affected less than that of many other foods. Use refrozen foods as soon as possible, to save as much of its eating quality as you can.”

- 10) This refrigerator should not be recessed or built-in in an enclosed cabinet. It is designed for freestanding installation only.
- 11) Do not operate your refrigerator in the presence of explosive fumes.

SAVE THESE INSTRUCTIONS

CAUTION - Risk of Fire or Explosion

Dispose of property in accordance with Federal or Local Regulations. Flammable refrigerant used.

DANGER

Risk of child entrapment. Before you throw away your old refrigerator or freezer, take off the doors. Leave the shelves in place so that children may not easily climb inside.

PRODUCT REGISTRATION

Thank you for using our Haier product. This easy-to-use manual will guide you in getting the best use of your refrigerator.

Remember to record the model and serial number. They are on a label in the rear of the refrigerator.

Model number

Serial number

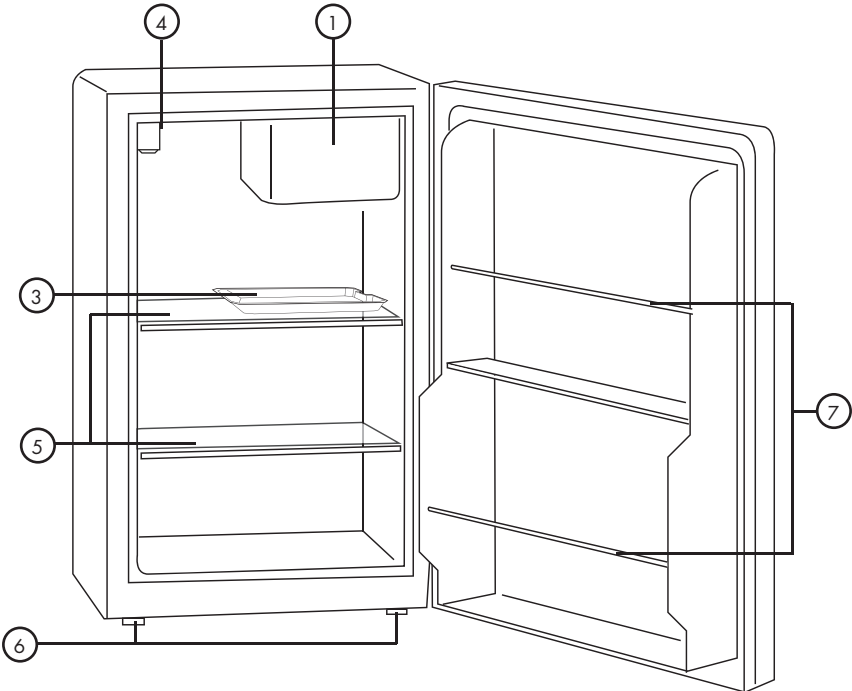
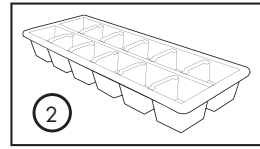
Date of purchase

Staple your receipt to your manual. You will need it to obtain warranty service.

TABLE OF CONTENTS

	PAGE
SAFETY PRECAUTIONS	1
PARTS AND FEATURES	4
INSTALLING YOUR REFRIGERATOR	5
Unpacking Your Refrigerator	5
Leveling Your Refrigerator	5
Proper Air Circulation	5
Door Alignment	5
Electrical Requirement	6
Use of Extension Cords	6
Installation Limitations	6
REFRIGERATOR FEATURES AND USE	7
General Features	7
Refrigerator Interior Shelves	7
Food Storage Information	8
Normal Operating Sounds You May Hear	8
PROPER REFRIGERATOR CARE AND CLEANING	9
Cleaning and Maintenance	9
Defrost	9
Power Interruptions	10
Vacation and Moving Care	10
Energy Saving Tips	10
TROUBLESHOOTING	11
LIMITED WARRANTY	12

PARTS AND FEATURES



1. Freezer Compartment
2. Ice Cube Tray
3. Drip Tray
4. Adjustable Temperature Control

5. Full-Width Shelf (2)
6. Leveling Legs (2)
7. Full-Width Door Shelf (2)

INSTALLING YOUR REFRIGERATOR

Unpacking Your Refrigerator

1. Remove all packaging material. This includes the foam base and all adhesive tape holding the refrigerator accessories inside and outside.
2. Inspect and remove any remains of packing, tape or printed materials before powering on the refrigerator.



CAUTION

Risk of Fire or Explosion due to puncture refrigerant tubing. Flammable refrigerant used. Handle with care when moving refrigerator to avoid either damaging the refrigerant tubing or increasing the risk of a leak.

Leveling Your Refrigerator

- Your refrigerator has two leveling legs which are located in the front bottom corners of your refrigerator. After properly placing your refrigerator in its final position, you can level your refrigerator.
- Leveling legs can be adjusted by turning them counterclockwise to raise your refrigerator or by turning them clockwise to lower your refrigerator. The refrigerator door will close easier when the leveling legs are extended.

Proper Air Circulation

- To ensure your refrigerator works at the maximum efficiency it was designed for, you should install it in a location where there is proper air circulation, plumbing and electrical connections.
- The following are recommended clearances around the refrigerator:

Sides.....	4"
Top.....	4"
Back.....	4"

Door Alignment

1. Remove the top hinge cover by using a flathead screwdriver. Place the head under the front edge of the cap and gently lift.
2. Loosen the top hinge screws using a Phillips head screw driver.
3. Adjust the door or put a spacer in between and tighten the screws.
4. Replace the top hinge cover by aligning the rear of the cover with the rear of the hinge. Press firmly on the front of the cover until it snaps in place.

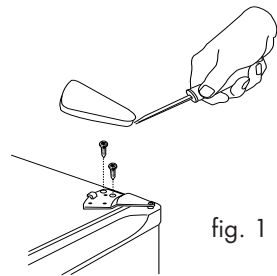


fig. 1

Electrical Requirement

- Make sure there is a suitable power outlet (115 volts, 15 amps outlet) with proper grounding to power the refrigerator.
- Avoid the use of three prong adapters or cutting off the third grounding prong in order to accommodate a two prong outlet. This is a dangerous practice since it provides no effective grounding for the refrigerator and may result in shock hazard.

Use of Extension Cords

- Avoid the use of an extension cord because of potential safety hazards under certain conditions. If it is necessary to use an extension cord, use only a 3-wire extension cord that has a 3-blade grounding plug and a 3-slot outlet that will accept the plug. The marked rating of the extension cord must be equal to or greater than the electrical rating of the appliance.

Installation Limitations

- Do not install your refrigerator in any location not properly insulated or heated, e.g. garage, etc. Your refrigerator was not designed to operate in temperature settings below 55° Fahrenheit.
- Select a suitable location for the refrigerator on a hard even surface away from direct sunlight or heat source, e.g. radiators, baseboard heaters, cooking appliances, etc. Any floor unevenness should be corrected with the leveling legs located on the front bottom corners of the refrigerator.

NOTE: As the door gets pressed in during shipping, after reversing the door, the gasket may have to be reset. This is done to prevent the cool refrigerated air from escaping. If there is a gap between the door gasket and the cabinet, set the gasket by gently pulling it out to seal the gap.

REFRIGERATOR FEATURES AND USE

General Features

Adjustable temperature dial:

Your refrigerator will automatically maintain the temperature level you select. The temperature control dial has 7 settings plus "OFF". 1 is the warmest. 7 is the coldest. At first, set the dial to 3 and allow 24 hours to pass before adjusting the temperature to your needs.

(Note: If the refrigerator has been placed in a horizontal or tilted position for any period of time wait 24 hours before plugging the unit in.)

Freezer Compartment / Use of the Ice Cube Trays

This compartment is designed for making ice cubes and for short-term food storage (a few days at most).

⚠ WARNING: This compartment is not cold enough to freeze foods safely for more than 5 days.

- If ice cube tray freezes to the bottom of the compartment, pour a little warm water around it to loosen it. Do not use boiling water, which can damage plastic parts, or sharp metal objects such as a knife or screwdriver, which can damage the cooling system tubing. Wash the ice cube tray in lukewarm water only. Do not wash in the dishwasher.

Refrigerator Interior Shelves

To remove or replace a full-width slide-out shelf:

(see fig. # 2)

1. Gently tilt the shelf up and slide forward until the shelf has been completely removed.
2. To replace the shelf, gently slide the shelf back.

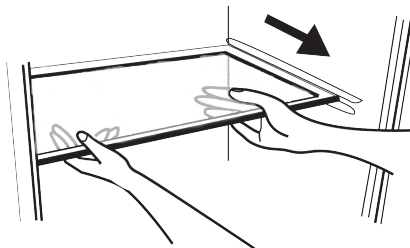


fig. # 2

Food Storage Information

Fresh Food

- When storing fresh food that is not prepackaged, be sure to wrap or store food in airtight and moisture proof material unless otherwise noted. This will ensure proper shelf life and prevent the transfer of odors and tastes.
- Wipe containers before storing to avoid needless spills.
- Eggs should be stored in an upright position in their original carton to maximize shelf life.
- Fruit should be washed and dried, then stored in sealed plastic bags before storing in the refrigerator.
- Vegetables with skins should be stored in plastic bags or containers.
- Leafy vegetables should be washed and drained and then stored in plastic bags or containers.
- Hot food should be allowed to cool before storing in the refrigeration. This will prevent unnecessary energy use.
- Fresh seafood should be used the same day as purchased.
- When storing meats in the fresh food section, keep in the original packaging or rewrap as necessary. Follow the suggestions below for safe storage:
 - Chicken 1-2 Days
 - Ground Beef 1-2 Days
 - Cold Cuts 3-5 Days
 - Steaks/Roasts 3-5 Days
 - Smoked/Cured Meats 7-10 Days
 - All others 1-2 Days

Normal Operating Sounds You May Hear

- Boiling water, gurgling sounds or slight vibrations that are the result of the refrigerant circulating through the cooling coils.
- The thermostat control will click when it cycles on and off.

PROPER REFRIGERATOR CARE AND CLEANING

Cleaning and Maintenance

- Warning:** To avoid electric shock, always unplug your refrigerator before cleaning. Ignoring this warning may result in death or injury.
- Caution:** Before using cleaning products, always read and follow manufacturer's instructions and warnings to avoid personal injury or product damage.
- General:** Prepare a cleaning solution of 3-4 tablespoons of baking soda mixed with warm water. Use sponge or soft cloth, dampened with the cleaning solution, to wipe down your refrigerator.
- Rinse with clean warm water and dry with a soft cloth.
 - Do not use harsh chemicals, abrasives, ammonia, chlorine bleach, concentrated detergents, solvents or metal scouring pads. Some of these chemicals may dissolve, damage and/or discolor your refrigerator.
- Door Gaskets:** Clean door gaskets every three months according to general instructions. Gaskets must be kept clean and pliable to assure a proper seal.
- Petroleum jelly applied lightly on the hinge side of gaskets will keep the gasket pliable and ensure a good seal.

Defrost

Defrost whenever frost on the wall of the freezer compartment becomes 1/8" thick.

DANGER - Risk of Fire or Explosion due to puncture refrigerant tubing. Flammable refrigerant used. Do not use metal instruments to defrost refrigerator. Do not puncture refrigerant tubing.

To defrost, remove foods and ice cube tray from the freezer compartment. Make sure the drip tray is in place and unplug the unit. Defrosting usually takes a few hours. To defrost faster, keep the door open and place a bowl of warm water in the refrigerator. After defrosting, empty water from the drip tray and wash the drip tray in warm water.

Maintenance

Risk of Fire or Explosion. Flammable refrigerant used. Do not puncture refrigerant tubing. To be repaired only by trained authorized service personnel. Consult Repair Manual before attempting to service this product. All Safety Precautions Must be followed. Component parts shall be replaced with like components to minimize the risk of possible ignition due to incorrect parts or improper service.

Power Interruptions

- Occasionally there may be power interruptions due to thunderstorms or other causes. Remove the power cord from wall outlet when a power outage occurs. When power has been restored, replug power cord to wall outlet. If outage is for a prolonged period, inspect and discard spoiled or thawed food in freezer and refrigerator. Clean refrigerator before reusing.

Vacation and Moving Care

- For long vacations or absences, empty food from refrigerator and freezer, move the temperature dial to the "OFF" position and clean the refrigerator and door gaskets according to "General Cleaning" section. Prop doors open, so air can circulate inside. When moving, always move the refrigerator vertically. Do not move with the unit lying down. Possible damage to the sealed system could occur.

Energy Saving Tips

- The refrigerator should be located in the coolest area of the room, away from heat-producing appliances or heating ducts, and out of direct sunlight.
- Let hot foods cool to room temperature before placing in the refrigerator. Overloading the refrigerator forces the compressor to run longer and thus increases energy consumption. Foods that refrigerate too slowly may lose quality or spoil.
- Be sure to wrap foods properly, and wipe containers dry before placing in the refrigerator.
- The shelves should not be lined with aluminum foil, wax paper, or paper towels. Liners interfere with cold air circulation, making the refrigerator less efficient.
- Organize food to reduce door openings and extended searches. Remove as many items as needed at one time, and close the door as soon as possible.

TROUBLESHOOTING

Refrigerator does not operate:

- Check if thermostat control is not in the "OFF" position.
- Check if refrigerator is plugged in.
- Check if there is power at the wall outlet, by checking the circuit breaker.

Food temperature appears too warm:

- Frequent door openings.
- Allow time for recently added warm food to reach fresh food temperature.
- Check gaskets for proper seal.
- Adjust temperature control to colder setting.

Food temperature is too cold:

- If temperature control setting is too cold, adjust to a warmer setting and allow several hours for temperature to adjust.

Refrigerator runs too frequently:

- This may be normal to maintain constant temperature during high temperature and humid days.
- Doors may have been opened frequently or for an extended period of time.
- Check gasket for proper seal.
- Check to see if doors are completely closed.

Moisture build up on interior or exterior of the refrigerator:

- This is normal during high humidity periods.
- Prolonged or frequent door openings.
- Check door gaskets for proper seal.

Refrigerator has an odor:

- Interior needs cleaning.
- Foods improperly wrapped or sealed are giving off odors.

Refrigerator door does not shut properly:

- Level the refrigerator.
- Re-align refrigerator door.
- Check for blockages, e.g. food containers, crisper cover, shelves, bins, etc.

Popping or cracking sound when the compressor comes on:

- Check to ensure the refrigerator is level.
- The floor may be uneven or weak. The refrigerator rocks on the floor when it is moved slightly. Be sure the floor can adequately support the refrigerator. Level the refrigerator by putting wood or metal shims under part of the refrigerator.
- The refrigerator is touching the wall. re-level the refrigerator and move it from the wall. See the "Installing Your Refrigerator" section.

LIMITED WARRANTY

What is covered and for how long?

This warranty covers all defects in workmanship or materials for a period of:

12 months labor (carry in only)

12 months parts (carry in only)

**5 years sealed system
(carry in only)**

The warranty commences on the date the item was purchased and the original purchase receipt must be presented to the authorized service center before warranty repairs are rendered.

EXCEPTIONS: Commercial or Rental Use warranty

90 days labor (carry-in only)

90 days parts

No other warranty applies

What is covered.

1. The mechanical and electrical parts, which serve as a functional, purpose of this appliance for a period of 12 months. This includes all parts except finish, and trim.
2. The components of the sealed system e.g. hermetic compressor, condenser and evaporator from manufacturing defects for a period of 5 years from the date of purchase. Any damages to such components caused by mechanical abuse or improper handling or shipping will not be covered.

What will be done?

1. We will repair or replace, at our discretion any mechanical or electrical part which proves to be defective in normal usage during the warranty period so specified.
2. There will be no charge to the purchaser for parts and labor on any covered items during the initial 12-month period. Beyond this period only parts are covered in the remaining warranty. Labor is not provided and must be paid by the customer.

3. Contact your nearest authorized service center. For the name of the nearest service center please call 1-877-337-3639.

THIS WARRANTY COVERS APPLIANCES WITHIN THE CONTINENTAL UNITED STATES, PUERTO RICO AND CANADA. IT DOES NOT COVER THE FOLLOWING:

Damages from improper installation.

Damages in shipping.

Defects other than manufacturing.

Damage from misuse, abuse, accident, alteration, lack of proper care and maintenance or incorrect current or voltage.

Damage from other than household use.

Damage from service by other than an authorized dealer or service center.

Decorative trims or replaceable light bulbs.

Transportation and shipping.

Labor (after the initial 12 months).

THIS LIMITED WARRANTY IS GIVEN IN LIEU OF ALL OTHER WARRANTIES, EXPRESSED OR, INCLUDING THE WARRANTIES OF MERCHANTABILITY AND FITNESS FOR A PARTICULAR PURPOSE

The remedy provided in this warranty is exclusive and is granted in lieu of all other remedies.

This warranty does not cover incidental or consequential damages, so the above limitations may not apply to you. Some States do not allow limitations on how long an implied warranty lasts, so the above limitations may not apply to you.

This warranty gives you specific legal rights, and you may have other rights, which vary, from state to state.

Haier America
New York, NY 10018

MESURES DE SÉCURITÉ

Lire l'ensemble des instructions avant d'utiliser l'appareil. Lors de l'utilisation de cet appareil, prendre toutes les mesures de sécurité de base, y compris les suivantes:

REMARQUE: Si le réfrigérateur a été placé en position horizontale ou en position inclinée, que ce soit pour longtemps ou non, attendez 24 heures avant de brancher l'appareil.

- 1) N'utiliser cet appareil que pour l'usage pour lequel il est prévu, tel qu'il est indiqué dans le guide d'utilisation et d'entretien.
- 2) Ce réfrigérateur doit être correctement installé conformément aux instructions d'installation avant d'être utilisé. Consulter les instructions de mise à la terre du chapitre Installation.
- 3) Ne jamais tirer sur le cordon d'alimentation pour débrancher le réfrigérateur. Toujours saisir fermement la fiche et la retirer complètement de la prise.
- 4) Réparer ou remplacer immédiatement tout cordon électrique effiloché ou endommagé d'une quelconque manière. Ne pas utiliser un cordon fissuré, abrasé ou dont la prise ou le connecteur est endommagé.
- 5) Débrancher le réfrigérateur avant de le nettoyer ou d'effectuer des réparations.
Remarque: *Si ce produit doit faire l'objet d'une maintenance pour quelque raison que ce soit, il est vivement recommandé de confier cette tâche à un technicien agréé.*
- 6) **DANGER:** Risque d'incendie ou d'explosion. Réfrigérant inflammable utilisé. Réparation par personnel autorisé seulement. Ne pas perforer les tubes réfrigérants.
- 7) Si vous n'avez plus l'usage de votre ancien réfrigérateur, nous vous conseillons d'en retirer les portes. Ceci permet d'éviter tout danger potentiel pour les enfants.
- 8) Une fois le réfrigérateur en fonctionnement, ne pas toucher les surfaces froides du compartiment de congélation, en particulier avec des mains mouillées ou humides. La peau risquerait d'adhérer à ces surfaces extrêmement froides.
- 9) Ne pas recongeler les aliments qui ont été complètement décongelés. Le bulletin Maisons et Jardins du Ministère de l'Agriculture des États-Unis n° 69 stipule que: « ...Les aliments congelés peuvent être recongelés en toute sécurité s'ils contiennent toujours des cristaux de glace ou so leur température reste inférieure à 4,5°C. »

« ...Les viandes hachées, la volaille et le poisson présentant une odeur désagréable ou une couleur suspecte ne doivent ni être recongelés, ni être consommés. La crème glacée dégelée doit être jetée. Tout aliment

présentant une odeur ou couleur douteuse doit être jeté. L'ingestion d'un aliment de ce type peut s'avérer dangereuse. »

« ...La décongélation ou la recongélation, même partielle, fait diminuer les qualités gustatives des aliments, en particulier des fruits, légumes et plats préparés. La qualité gustative des viandes rouges est affectée à un bien moindre degré que celle de nombreux autres aliments. Utiliser les aliments recongelés dès que possible, afin de conserver la majeure partie de leurs qualités gustatives. »

- 10) Ce réfrigérateur ne doit être ni encastré, ni enclos dans un placard. Il a été conçu pour être installé tel qu'il se présente.
- 11) Ne pas faire marcher le congélateur en présence de fumées pouvant entraîner une explosion.

VEUILLEZ CONSERVER CES INSTRUCTIONS

ATTENTION -

Risque d'incendie ou d'explosion

**Ayez la propriété selon des règlements fédéraux ou locaux.
Réfrigérant inflammable utilisé.**

DANGER

Les enfants pourraient se retrouver coincés dans votre réfrigérateur ou congélateur usagé avant que vous ne puissiez vous en débarrasser. Retirer les portes. Laisser les étagères en place de manière à ce que les enfants ne puissent pas grimper facilement à l'intérieur.

ENREGISTREMENT DU PRODUIT

Nous vous remercions d'avoir choisi ce produit Haier. Ce guide d'utilisation facile d'emploi permet une utilisation optimum du réfrigérateur.

Ne pas oublier de prendre note du numéro de modèle et de série. Ils sont inscrits sur une plaquette apposée sur à l'intérieur de réfrigérateur.

Numéro de modèle

Numéro de série

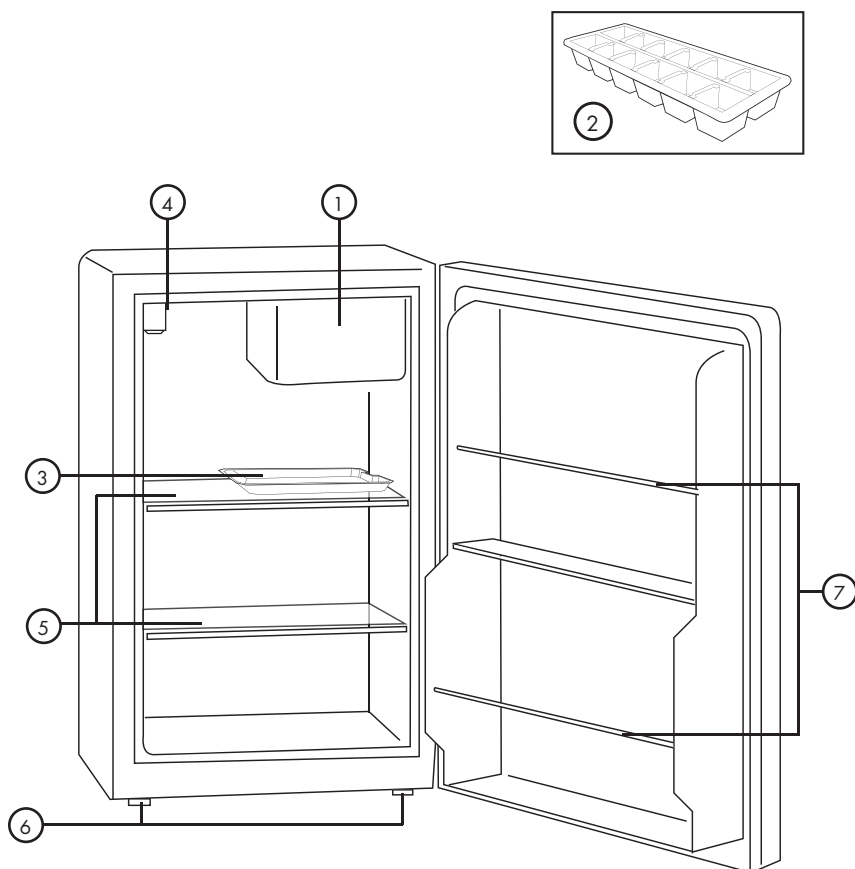
Date d'achat

Agrafer le ticket de caisse au guide. Il devra être présenté pour tout service après-vente sous garantie.

SOMMAIRE

	PAGE
MESURES DE SÉCURITÉ	1
PIÈCES ET CARACTÉRISTIQUES	4
INSTALLATION DU RÉFRIGÉRATEUR	5
Désemballage du Réfrigérateur	5
Mise à Niveau du Réfrigérateur	5
Circulation d’Air Adéquante	5
Alignement de la Porte	5
Caractéristiques Electriques	6
Utilisation de Rallonges	6
Limitations Relatives à l’Installation	6
CARACTÉRISTIQUES DU RÉFRIGÉRATEUR ET UTILISATION	7
Caractéristiques Générales	7
Clayettes Intérieures de Rangement	7
Renseignements sur le Stockage de Nourriture Aliments Frais	8
Bruits de Fonctionnement lors d’une Exploitation Normale	8
ENTRETIEN ET NETTOYAGE DU RÉFRIGÉRATEUR	9
Nettoyage et Entretien	9
Dégivrage	9
Pannes de Courant	10
Conseils pour les Vacances et le Déménagement	10
Conseil sur l’économie d’énergie	10
GUIDE DE DÉPANNAGE	11
GARANTIE LIMITÉE	12

PIÈCES ET CARACTÉRISTIQUES



1. Compartiment congélateur
2. Tiroir à glace
3. Bac de récupération
4. Réglage de la température

5. Clayette du réfrigérateur (2)
6. Mise à niveau des jambes (2)
7. Clayette de porte fixe (2)

INSTALLATION DU RÉFRIGÉRATEUR

Désemballage du Réfrigérateur

1. Retirer l'ensemble du matériel d'emballage. Ceci comprend la base en mousse ainsi que l'ensemble du matériel adhésif qui maintient les accessoires du réfrigérateur à l'intérieur tout comme à l'extérieur.
2. Inspecter et enlever tout restant d'emballage, de scotch ou de matériaux imprimés avant de brancher le réfrigérateur.

! ATTENTION

Risque d'incendie ou d'explosion due à la tuyauterie de réfrigérant de piqûre. Réfrigérant inflammable utilisé. Manipulez avec soin quand réfrigérateur mobile pour éviter d'endommager la tuyauterie réfrigérante ou d'augmenter le risque d'une fuite.

Mise à Niveau du Réfrigérateur

- Le réfrigérateur possède deux pieds de mise à niveau qui sont situés sur les coins avant du réfrigérateur. Après avoir convenablement installé le réfrigérateur à la place qu'il occupera, procéder à la mise à niveau.
- Pour régler les pieds de mise à niveau, les tourner dans le sens des aiguilles d'une montre afin de surélever le réfrigérateur et dans le sens inverse des aiguilles d'une montre pour l'abaisser. La porte du réfrigérateur se ferme plus facilement lorsque les pieds de mise à niveau sont surélevés.

Circulation d'Air Adéquate

- Pour être sûr que le réfrigérateur fonctionne à son maximum d'efficacité, l'installer dans un environnement favorable à une bonne circulation d'air et possédant des connexions de plomberie et d'électricité saines.
- Les indications suivantes concernent l'espace recommandé autour du réfrigérateur:

Latéralement.....	101 mm
Partie supérieure.....	101 mm
Arrière.....	101 mm

Alignement de la porte

1. Démontez le cache-charnière supérieur à l'aide d'un tournevis à tête plate. Placez la tête sous l'extrémité avant du capuchon et soulevez légèrement.
2. Desserrez les vis de la charnière supérieure à l'aide d'un tournevis Phillips.
3. Ajustez la porte ou placez un espacer entre les deux et serrez les vis.
4. Remplacez le cache-charnière avant en alignant l'arrière du cache avec l'arrière de la charnière. Appuyez fermement sur l'avant du cache pour bien maintenir en place et bloquer.

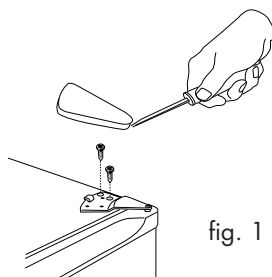


fig. 1

Caractéristiques Electriques

- Pour l'alimentation du réfrigérateur, veiller à utiliser une prise de courant convenable (prise de 115 volts, 15 amp) raccordée à la terre.
- Éviter d'utiliser des adaptateurs à trois fiches ou de sectionner la troisième fiche reliée à la terre dans le but d'utiliser un branchement à deux fiches. Cette pratique pourrait s'avérer dangereuse dans la mesure où le réfrigérateur n'est pas relié convenablement à la terre, et risquerait de causer des risques d'électrocution.

Utilisation de Rallonges

- Éviter d'utiliser une rallonge électrique car, dans certains cas, cela peut entraîner des risques pour la santé. S'il est nécessaire d'utiliser une rallonge, utiliser uniquement une rallonge possédant une fiche male à deux broches plus terre à une extrémité et une prise femelle de même type à l'autre extrémité. La capacité électrique de la rallonge doit être égale ou supérieure à la capacité de l'appareil.

Limitations relatives à l'Installation

- Ne pas installer le réfrigérateur dans un endroit qui n'est pas convenablement isolé ou chauffé; comme par exemple un garage, etc. Le réfrigérateur n'est pas conçu pour fonctionner à des températures inférieures à 12°C.
- Choisir un endroit convenable et placer le réfrigérateur sur une surface solide et plane, loin de sources de chaleur telles que: les radiateurs, les éléments chauffants à plinthes, les cuisinières, etc. Toute irrégularité au sol doit être corrigée à l'aide des pieds de mise à niveau situés sur les coins avant de la partie inférieure du réfrigérateur.

REMARQUE: Comme le joint aouyé-dans pendant l'expédition, après avoir renversé la porte le joint peut devoir être remet à l'état initial. Ceci est fait pour empêcher le refroidit l'air réfrigéré d'échapper. Si là-bas est un écart entre la porte et le placard, régle le joint en tirant doucement il hors sceller l'écart.

CARACTÉRISTIQUES DU RÉFRIGÉRATEUR ET UTILISATION

Caractéristiques Générales

Cadran de température réglable:

Le réfrigérateur demeurera automatiquement à la température que vous avez sélectionnée. La commande de température possède 7 positions de réglage ainsi que la position «OFF» (arrêt). La position «1» est la position la moins froide, «7» est la position la plus froide. Tout d'abord, réglez la commande sur «3» et patientez 24 heures avant de régler la commande sur la température que vous désirez.

(Remarque: Si le réfrigérateur a été placé à l'horizontale pendant une période de temps quelconque, attendre 24 heures avant de le brancher.)

Compartiment congélateur et utilisation du tiroir à glace

Ce compartiment est conçu pour fabriquer des glaçons et conserver des aliments pour une courte durée (quelques jours au maximum).

⚠ ATTENTION: Ce compartiment n'est pas assez froid pour congeler des aliments de façon sûre pour plus de 5 jours.

- Si le bac à glaçons reste collé au bas du congélateur, versez un peu d'eau chaude autour et il se décollera. N'utilisez pas de l'eau bouillante car elle peut endommager les parties en plastique, ni des objets tranchants en métal comme des couteaux ou tournevis car ils peuvent endommager le tube du système de refroidissement. Lavez le bac à glaçons à la main, dans de l'eau tiède uniquement. Ne le lavez pas dans le lave-vaisselle.

Clayettes Intérieures de Rangement

Pour retirer ou replacer les clayettes amovibles:

(voir fig. # 2)

1. Penchez légèrement la clayette vers le haut et glissez-la vers l'avant jusque à ce que la clayette ait été complètement retirée.
2. Pour replacer la clayette, glissez-la doucement.

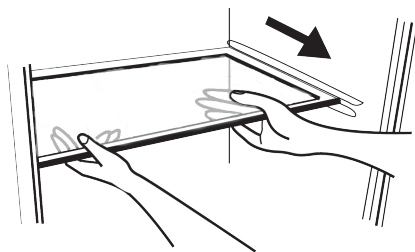


fig. # 2

Renseignements sur le stockage de nourriture

Aliments frais

- Sauf avis contraire, lorsque vous stockez des aliments frais n'ayant pas été préemballés, assurez-vous de bien emballer ou stocker ces aliments dans des matières hermétiques et à l'épreuve de l'humidité. Vous en préserverez ainsi la durée de conservation et empêcherez le transfert d'odeurs et de goûts.
- Essuyez les contenants avant de les ranger pour éviter tout déversement inutile.
- Les œufs devraient être rangés à la verticale dans leur carton d'origine pour en maximiser la durée de conservation.
- Les fruits devraient être lavés et séchés, puis insérés dans des sacs de plastique avant d'être rangés au réfrigérateur.
- Les légumes à pelure devraient être rangés dans des sacs ou des contenants de plastique.
- Les légumes-feuilles devraient être lavés et séchés, puis rangés dans des sacs ou des contenants de plastique.
- Les aliments chauds devraient être laissés à refroidir avant d'être stockés au réfrigérateur. Ceci évitera toute dépense superflue d'électricité.
- Les fruits de mer frais devraient être consommés le jour de leur achat.
- Lorsque vous stockez des viandes dans la section des aliments frais, gardez-les dans leur emballage d'origine ou réemballez-les au besoin. Suivez les suggestions ci-dessous pour vous assurer d'une conservation d'aliments sécuritaire:

• Poulet	1 à 2 jours
• Bœuf haché	1 à 2 jours
• Viandes froides	3 à 5 jours
• Steaks/rôtis	3 à 5 jours
• Viandes fumées/salaisonées	7 à 10 jours
• Tous les autres	1 à 2 jours

Bruits de Fonctionnement lors d'une Exploitation Normale

- De l'eau en ébullition, des gargouillements ou de légères vibrations causées par la circulation du liquide frigorigène dans le serpentin de refroidissement.
- Le contrôle du thermostat clique lorsque le cycle se met en marche et à l'arrêt.

ENTRETIEN ET NETTOYAGE DU RÉFRIGÉRATEUR

Nettoyage et entretien

Avertissement: Débranchez toujours le réfrigérateur avant de le nettoyer afin d'éviter tout risque de choc électrique. La non-observance de cet avertissement peut entraîner la mort ou des blessures.

Mise en garde: Avant d'utiliser des produits nettoyants, lisez et respectez toujours les instructions et avertissements du fabricant pour éviter de vous blesser ou d'endommager le produit.

Généralité: Préparez une solution nettoyante avec 3 ou 4 cuillerées à table de bicarbonate de soude dissoutes dans de l'eau chaude. Servez-vous d'une éponge ou d'un linge doux, humidifié avec la solution nettoyante, pour nettoyer votre réfrigérateur.

- Rincez avec de l'eau propre et chaude, puis séchez avec un linge doux.
- N'utilisez pas de substances chimiques fortes, d'abrasifs, d'ammoniaque, d'agent chloré de blanchiment, de détergents concentrés, de solvants ou de tampons à recurer métalliques. Certaines de ces substances chimiques peuvent dissoudre, endommager ou décolorer la surface de votre réfrigérateur.

Dégivrage

Effectuez un dégivrage lorsque du givre sur la paroi du compartiment du congélateur est de 1/8 po (3,18 mm) d'épaisseur.

DANGER - Risque d'incendie ou d'explosion due à la tuyauterie de réfrigérant de piqûre. Réfrigérant inflammable utilisé. N'utilisez pas les instruments en métal pour dégivrer le réfrigérateur. Ne perforez pas la tuyauterie réfrigérante.

N'utilisez jamais un instrument pointu ou en métal pour retirer le givre car cela peut endommager les serpentins de refroidissement. Nous recommandons d'utiliser un grattoir en plastique. Pour le dégivrage, retirez les aliments et le bac à glace du compartiment du congélateur. Assurez-vous que le plateau d'égouttage est en place et débranchez l'appareil. Le dégivrage prend habituellement quelques heures.

Maintenance

Risque d'incendie ou d'explosion. Réfrigérant inflammable utilisé. Ne perforez pas la tuyauterie réfrigérante. Pour être réparé seulement par le personnel autorisé qualifié de service. Consultez le manuel de réparation avant d'essayer d'entretenir ce produit. Toutes les mesures de sécurité doivent être suivies. Des éléments seront remplacés par les composants similaires pour réduire au minimum le risque d'allumage possible dû aux pièces incorrectes ou au service inexact.

Pannes de courant

- À l'occasion, des pannes de courant dues à un orage ou à une cause différente peuvent survenir. Débranchez le cordon d'alimentation de la prise murale quand une interruption de courant se produit. Quand le courant est rétabli, rebranchez le cordon d'alimentation dans la prise murale. Si l'interruption de courant dure pendant une période prolongée, inspectez et jetez les aliments avariés ou décongelés du congélateur et du réfrigérateur. Nettoyez le réfrigérateur avant de le réutiliser.

Conseils pour les vacances et le déménagement

- Si vous prévoyez de longues vacances ou une longue absence, enlevez les aliments du réfrigérateur et du congélateur, placez le cadran de température à la position « OFF » et nettoyez le réfrigérateur et les joints d'étanchéité, conformément à la section « Nettoyage général ». Maintenez les portes ouvertes afin que l'air puisse circuler à l'intérieur. Lorsque vous déménagez, déplacez toujours le réfrigérateur verticalement. Ne déplacez pas l'appareil horizontalement. Cela pourrait causer des dommages au système hermétique.

Conseil sur l'économie d'énergie

- Le réfrigérateur devrait être localisé dans l'endroit le plus froid de la pièce, loin des appareils produisant de la chaleur ou des conduits d'air chaud ainsi que loin des rayons directs du soleil.
- Laissez les aliments chauds refroidir à la température ambiante avant de les placer au réfrigérateur. Une surcharge du réfrigérateur entraîne un fonctionnement prolongé du compresseur et augmente de ce fait la consommation d'énergie. Les aliments qui refroidissent trop lentement peuvent perdre de leur qualité et s'avaries.
- Assurez-vous d'emballer correctement les aliments et d'assécher les contenants en les essuyant avant de les placer dans le réfrigérateur.
- Les étagères ne devraient pas être recouvertes de papier d'aluminium, de papier ciré ou d'essuie-tout. Ces recouvrements nuiraient à la circulation de l'air froid, et rendraient le réfrigérateur moins efficace.
- Organisez les aliments de sorte à réduire l'ouverture de la porte et des recherches prolongées. Retirez tous les articles dont vous avez besoin en une fois et fermez la porte dès que possible.

GUIDE DE DÉPANNAGE

Le réfrigérateur ne fonctionne pas:

- Vérifiez si le contrôle du thermostat est à la position d'arrêt (OFF).
- Vérifiez si le réfrigérateur est branché.
- Vérifiez s'il y a du courant dans la prise murale en inspectant le disjoncteur.

La température des aliments semble trop élevée:

- Ouvertures fréquentes de la porte.
- Laissez le temps aux aliments chauds récemment ajoutés d'atteindre la température des aliments frais.
- Vérifiez si les joints sont suffisamment étanches.
- Ajustez la température à un réglage plus froid.

La température des aliments est trop froide:

- Si le réglage de la température est trop haut (froid), ajustez-le à un réglage plus chaud et allouez quelques heures pour que la température s'ajuste.

Le réfrigérateur se met en marche trop souvent:

- Cela peut être normal pour maintenir une température constante lors des journées très chaudes et humides.
- Les portes ont peut-être été ouvertes trop souvent ou pour de longues périodes.
- Vérifiez si le joint d'étanchéité est suffisamment étanche.
- Vérifiez si les portes sont complètement fermées.

L'humidité s'accumule à l'intérieur ou l'extérieur du réfrigérateur:

- Cela est normal lors des périodes d'humidité élevée.
- Ouvertures fréquentes ou prolongées de la porte.
- Vérifiez si les joints de la porte sont suffisamment étanches.

Une odeur se dégage du réfrigérateur:

- Un nettoyage de l'intérieur s'impose.
- Les aliments mal enveloppés ou scellés dégagent des odeurs.

La porte du réfrigérateur ne se referme pas correctement:

- Nivelez le réfrigérateur.
- Ajustez de nouveau la porte.
- Vérifiez s'il y a des obstructions comme des contenants, le couvercle du bac à légumes, des étagères, des compartiments, etc.

Des bruits de craquements ou de claquements proviennent du compresseur lorsqu'il se met en marche:

- Vérifiez si le réfrigérateur est de niveau.
- Le plancher peut être inégal ou faible. Le réfrigérateur bascule sur le plancher lorsqu'il est légèrement déplacé. Assurez-vous que le plancher peut supporter adéquatement le réfrigérateur. Nivelez le plancher en insérant des cales en bois ou en métal sous une partie du réfrigérateur.
- Le réfrigérateur touche au mur. Remplacez le réfrigérateur au niveau et dégagez-le du mur. Consultez la section « Installation de votre réfrigérateur ».

GARANTIE LIMITÉE

Couverture et durée de la garantie?

La présente garantie couvre tous les vices dans la fabrication ou les matériaux pendant une période de:

12 mois sur la main-d'œuvre (en atelier seulement)

12 mois sur les pièces (en atelier seulement)

5 ans sur le système hermétique (en atelier seulement)

La garantie prend effet à la date originale d'achat et le reçu d'achat original doit être présenté au dépositaire autorisé pour que des réparations soient effectuées en vertu de la garantie.

EXCEPTIONS : Garantie pour usage commercial ou locatif

90 jours sur la main-d'œuvre (en atelier seulement)

90 jours sur les pièces

Aucune autre garantie ne s'applique
Éléments couverts

1. Les organes mécaniques et électriques, qui agissent comme élément fonctionnel de l'appareil, sont garantis pour une durée de douze (12) mois. Cela englobe toutes les pièces, à l'exception de la finition extérieure du caisson et des joints d'étanchéité.
2. Les organes du système hermétique (p. ex. le motocompresseur hermétique, le condensateur et l'évaporateur) sont garantis contre tous vices de fabrication pour une durée de cinq (5) ans suivant la date d'achat. Tout dommage à ces composantes causé par un abus mécanique ou une manipulation inadéquate n'est pas couvert par cette garantie.

Services couverts

1. Nous réparerons ou remplacerons, à notre discrétion, tout organe mécanique ou électrique qui s'avère défectueux dans le cadre d'un usage normale durant la période de garantie précisée aux présentes.
2. Les pièces et la main-d'œuvre seront fournies sans frais à l'acheteur au cours de la période initiale de douze (12) mois. Au-delà de cette période, seules les pièces sont couvertes pour le reste de la période de garantie. La main-d'œuvre ne sera plus fournie et doit être défrayée par le client.

3. Contactez le centre de service autorisé le plus près de chez vous. Pour connaître le nom du dépositaire autorisé le plus près de chez vous, veuillez composer le 1-877-337-3639.

LA GARANTIE COUVRE LES APPAREILS DANS LES LIMITES DES ÉTATS CONTINENTAUX DES ÉTATS-UNIS, DE PORTO RICO ET DU CANADA. ELLE NE COUVRE PAS LES ÉLÉMENTS SUIVANTS:

Les dommages imputables à une installation inadéquate.

Les dommages subis par l'appareil pendant l'expédition.

Les défauts autres que de fabrication.

Les dommages causés par l'emploi incorrect ou abusif, les accidents, les modifications, l'entretien et le soin inadéquat de l'appareil, ou encore un voltage incorrect.

Les dommages subis ailleurs que dans le cadre d'une utilisation domestique.

Les dommages découlant d'un entretien effectué ailleurs que chez un détaillant ou un dépositaire autorisé.

Les bordures décoratives ou les ampoules remplaçables.

Les dommages subis pendant le transport et l'expédition.

La main-d'œuvre (après la période initiale de 12 mois)

CETTE GARANTIE LIMITÉE EST DONNÉE EN GUISE ET LIEU DE TOUTE AUTRE GARANTIE, EXPRESSE OU COMPRENANT LES GARANTIES DE VALEUR MARCHANDE ET DE CONVENANCE PRÉCISE.

Le recours fourni par cette garantie est exclusif et accordé en remplacement de tout autre recours.

Cette garantie ne couvre pas les dommages indirects ou consécutifs, alors les limites susmentionnées ne s'appliquent peut-être pas à vous. Certains États américains ne permettent pas de limitations sur la durée d'une garantie implicite. Par conséquent, les limitations précédentes peuvent ne pas vous concerner.

Cette garantie vous confère des droits particuliers reconnus par la Loi, et vous pourriez avoir d'autres droits pouvant varier d'un état à l'autre.

Haier America
New York, NY 10018

PRECAUCIONES DE SEGURIDAD

Lea todas las instrucciones antes de usar este aparato. Cuando lo utilice, siempre tome las precauciones básicas de seguridad, incluidas las siguientes:

NOTA: Si el refrigerador se coloca en posición horizontal o inclinada durante un lapso de tiempo, espere 24 horas antes de enchufar la unidad.

- 1) Utilice este aparato solamente para lo que fue diseñado, según se describe en esta guía de uso y cuidado.
- 2) Antes de utilizar este refrigerador debe instalarse adecuadamente de conformidad con las instrucciones de instalación. Consulte las instrucciones de conexión a tierra en la sección de instalación.
- 3) Nunca jale el cable de suministro eléctrico para desconectar el refrigerador. Siempre tome la clavija con firmeza y júlela en línea recta del tomacorriente.
- 4) Repare o sustituya de inmediato todos los cables de servicio eléctrico que estén desgastados o dañados de alguna otra manera. No utilice un cable que tenga fisuras o abrasiones a lo largo del cable mismo, en la clavija o en el extremo conector.
- 5) Desconecte el refrigerador antes de limpiarlo o hacer reparaciones.
Nota: Si por algún motivo este producto requiere servicio, recomendamos ampliamente que lo realice un técnico certificado en su reparación.
- 6) **PELIGRO** - Riesgo de incendio o explosión. Se utiliza refrigerante inflamable. No utilice dispositivos mecánicos para descongelar el refrigerador. No perforo la tubería refrigerante.
- 7) Si su antiguo refrigerador no está siendo utilizado, le recomendamos que quite las puertas y deje las repisas en su lugar. Esto reducirá la posibilidad de que represente un peligro para los niños.
- 8) Una vez que el refrigerador esté en funcionamiento, evite tocar las superficies frías dentro del compartimento del congelador, en especial si tiene las manos húmedas o mojadas. La piel puede adherirse a estas superficies extremadamente frías.
- 9) No vuelva a congelar alimentos que se han descongelado completamente. En el boletín Hogar y jardín (Home and Garden Bulletin) No. 69, el Departamento de Agricultura de los Estados Unidos afirma que: "...Puede volver a congelar sin peligro, alimentos que se han descongelado si aún contienen cristales de hielo o que aún tienen una temperatura por debajo de los 4.4 °C (40 °F).

"La carne molida, pollo o pescados descongelados que tengan mal olor o color extraño no deberán volver a congelarse y no deben comerse. El helado descongelado deberá desecharse. Si algún alimento tiene mal olor o color, o si tiene duda, deséchelo. Puede ser peligroso comer ese alimento".

"...Incluso el descongelar parcialmente los alimentos y volver a congelarlos se reduce su calidad, particularmente la de las frutas, las verduras y los alimentos preparados. La calidad alimenticia de las carnes rojas se ve menos afectada en comparación a la de muchos otros alimentos. Utilice los alimentos que hayan vuelto a congelarse tan pronto como le sea posible para aprovechar lo más que pueda su calidad alimenticia".

- 10) Este refrigerador no debe de ser empotrado o colocado dentro de un gabinete cerrado. Está diseñado sólo para que no sea empotrado.
- 11) No ponga en funcionamiento el refrigerador en presencia de vapores explosivos.

GUARDE ESTAS INSTRUCCIONES PRECAUCIÓN

Riesgo de incendio o explosión.

Deseche el producto adecuadamente de conformidad con las reglamentaciones federales o locales. Se utiliza refrigerante inflamable.

PELIGRO

Existe el riesgo de que los niños queden atrapados. Antes de desechar el refrigerador o congelador viejo, quite las puertas.

Mantenga las repisas colocadas de modo que los niños no puedan meterse fácilmente.

REGISTRO DEL PRODUCTO

Gracia por utilizar nuestro producto Haier. Este sencillo manual le orientará con respecto al mejor uso que puede darle al refrigerador.

Número de Modelo

Número de Serie

Recuerde tomar nota del modelo y número de serie. Ambos se encuentran impresos en una etiqueta en el interior del refrigerador.

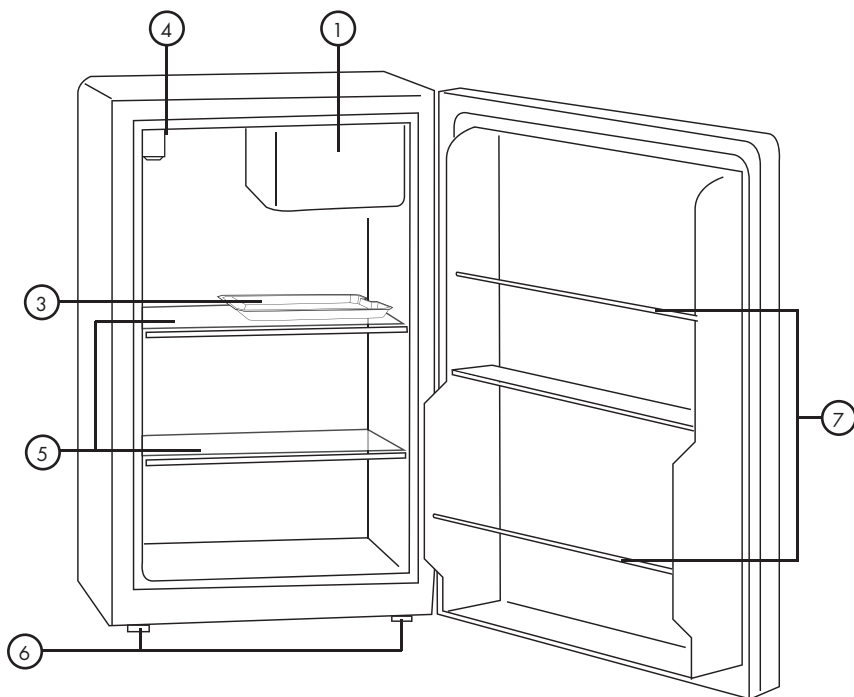
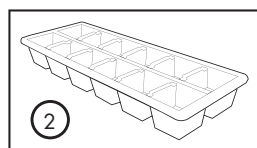
Fecha de Compra

Engrape el recibo al manual. Lo necesitará para recibir el servicio de garantía.

ÍNDICE

	PAGINA
PRECAUCIONES DE SEGURIDAD	1
PARTES Y CARACTERÍSTICAS	4
INSTALACIÓN DEL REFRIGERADOR	5
Cómo desempacar el refrigerador	5
Como nivelar el refrigerador	5
Circulación apropiada del aire	5
Alineación de la puerta	5
Requisitos eléctricos.....	6
Uso de cables de extensión	6
Limitaciones de instalación.....	6
CARACTERÍSTICAS Y USO DEL REFRIGERADOR	7
Funciones generales	7
Repisas interiores del refrigerador.....	7
Información sobre el almacenamiento de alimentos	8
Sonidos normales del funcionamiento que puede llegar a escuchar	8
CUIDADO Y LIMPIEZA ADECUADOS DEL REFRIGERADOR	9
Limpieza y mantenimiento.....	9
Descongelamiento.....	9
Interrupciones del suministro eléctrico	10
Cuidado durante las vacaciones y mudanzas	10
Recomendaciones para ahorrar energía.....	10
SOLUCIÓN DE PROBLEMAS	11
GARANTÍA LIMITADA	12

PARTES Y CARACTERÍSTICAS



1. Compartimiento del congelador.
2. Tiroir à glace
3. Charola de goteo
4. Control de temperatura ajustable

5. Repisa del refrigerador de ancho completo (2)
6. Patas de nivelación (2)
7. Estante de ancho total de la puerta (2)

INSTALACIÓN DEL REFRIGERADOR

Cómo desempacar el refrigerador

1. Quite todos los materiales de empaque, esto incluye la base de espuma y toda la cinta adhesiva que sostiene los accesorios del refrigerador por dentro y por fuera.
2. Inspeccione y quite cualquier resto de empaque, cinta o material impreso antes de poner en funcionamiento el refrigerador.

! PRECAUCIÓN

Riesgo de incendio o explosión debido a perforación de la tubería refrigerante. Se utiliza refrigerante inflamable. Manipule con cuidado cuando mueva el refrigerador para evitar dañar la tubería del refrigerante o aumentar el riesgo de una filtración.

Como nivelar el refrigerador

- El refrigerador tiene dos patas niveladoras que están ubicadas en las esquinas frontales inferiores del refrigerador. Después de colocar correctamente el refrigerador en la posición final, puede nivelarlo.
- Las patas niveladoras pueden ajustarse girándolas hacia la izquierda para elevar el refrigerador y hacia la derecha para bajarlo. La puerta del refrigerador se cerrará con mayor facilidad si las patas niveladoras quedan extendidas.

Circulación apropiada del aire

- Para asegurarse de que el refrigerador funcione al máximo rendimiento para el que fue diseñado, deberá instalarlo en un lugar donde haya circulación de aire, tubería y conexiones eléctricas adecuadas.

- A continuación se muestran los espacios recomendados que debe haber alrededor del refrigerador:

Lados.....	101 mm
Parte Superior.....	101 mm
Parte Posterior.....	101 mm

Alineación de la puerta

1. Con un destornillador de punta plana, quite la cubierta de la bisagra superior. Coloque la punta debajo del borde delantero de la cubierta y levante suavemente.
2. Afloje los tornillos de la bisagra superior usando un destornillador de punta de cruz.
3. Ajuste la puerta o coloque un espaciador entremedio y apriete los tornillos.
4. Vuelva a colocar la cubierta de la bisagra superior, alineando la parte posterior de la cubierta con la parte posterior de la bisagra. Presione
- 5** firmemente en la parte delantera de la cubierta hasta que quede asegurada en su lugar.

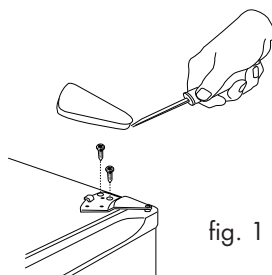


fig. 1

Requisitos eléctricos

- Asegúrese de tener un tomacorriente adecuado (tomacorriente de 115 voltios, 15 amperios) con conexión a tierra apropiada para poner en funcionamiento el refrigerador.
- Evite usar adaptadores de tres clavijas o cortar la tercera clavija de conexión a tierra para adaptarlo a un tomacorriente de dos clavijas. Hacer esto es peligroso, ya que el refrigerador no cuenta con una conexión a tierra eficaz y existe el riesgo de descarga.

Uso de cables de extensión

- Evite usar un cable de extensión debido a los posibles riesgos de seguridad que se producen en determinadas condiciones. Si necesita usar un cable de extensión, utilice sólo un cable de extensión de 3 hilos que tenga un enchufe de tres clavijas con conexión a tierra y un tomacorriente de tres clavijas que admita el enchufe. El valor nominal marcado en el cable de extensión debe ser igual o mayor al valor nominal eléctrico del aparato.

Limitaciones de instalación

- No instale el refrigerador en un lugar que no tenga el aislamiento o la calefacción apropiada; por ejemplo en una cochera, etc. El refrigerador no fue diseñado para funcionar en temperaturas abajo de los 12 Centígrados (55 Fahrenheit).
- Seleccione un lugar adecuado para el refrigerador, sobre una superficie sólida y nivelada, alejado de los rayos directos del sol o de una fuente de calor como radiadores, rejillas de calefacción, electrodomésticos para cocinar, entre otros. Si el piso está desnivelado, corrija el problema con las patas niveladoras ubicadas en las esquinas frontales inferiores del refrigerador.

NOTA: Debido a que la puerta queda apretada durante el envío, después de invertir la puerta es posible que se tenga que reajustar la junta. Esto es para evitar que escape el aire frío del refrigerador. Si hay un espacio entre la junta de la puerta y el gabinete, ajuste la junta estirándola suavemente para sellar el espacio.

CARACTERÍSTICAS Y USO DEL REFRIGERADOR

Funciones generales

Disco de control de temperatura ajustable:

El refrigerador mantendrá automáticamente el nivel de temperatura que seleccione. El disco de control de temperatura tiene 7 ajustes además del ajuste "OFF". El 1 es el más tibio. El 7 es el más frío. Al principio, ajuste el disco a 3 y deje que pasen 24 horas antes de ajustar la temperatura a sus necesidades.

(Nota: Si el refrigerador se coloca en posición horizontal o inclinada durante un lapso de tiempo, espere 24 horas antes de enchufar la unidad.)

Compartimiento del congelador/uso de las bandejas para cubos de hielo.

! Este compartimiento está diseñado para hacer cubos de hielo y para el almacenamiento de alimentos a corto plazo (pocos días).

ADVERTENCIA: Este compartimiento no es lo suficientemente frío como para congelar alimentos por más de 5 días.

- Si la bandeja de cubos de hielo se pega a la base del compartimiento, vierta un poco de agua tibia alrededor para liberarla. No utilice agua hirviendo, ya que puede dañar las piezas plásticas. Tampoco utilice objetos de metal filosos como un cuchillo o destornillador, ya que pueden dañar la tubería del sistema de enfriamiento. Lave la bandeja de cubos de hielo con agua tibia solamente, no la lave en el lavavajillas.

Repisas interiores del refrigerador

Cómo quitar y volver a colocar una repisa corrediza de ancho completo: (Vea fig. # 2)

1. Incline ligeramente la repisa y deslícela hacia el frente hasta sacarla por completo.

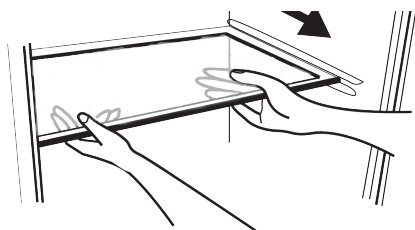


fig. # 2

2. Para volver a colocar la repisa, deslícela cuidadosamente a su lugar.

Información sobre el almacenamiento de alimentos

Alimentos frescos

- Cuando almacene alimentos frescos que no vengan empacados, asegúrese de envolverlos o almacenarlos con material a prueba de humedad o hermético, a menos que se indique de otra manera. De esta forma no caducarán antes de lo previsto y evitará que se contaminen con olores y sabores.
- Limpie los recipientes antes de guardarlos para evitar derrames innecesarios.
- Los huevos deben almacenarse en posición vertical, en su caja de cartón original para incrementar al máximo su duración.
- Las frutas deben lavarse y secarse y después almacenarse en bolsas de plástico selladas antes de guardarse en el refrigerador.
- Las verduras con cáscara deben almacenarse en bolsas o recipientes de plástico.
- Los vegetales con hojas deberán lavarse y escurrirse, y después almacenarse en bolsas o recipientes de plástico.
- Los alimentos calientes deben dejarse enfriar antes de meterlos en el refrigerador. Esto evitará el consumo innecesario de energía.
- Los mariscos frescos deberán utilizarse el mismo día que se compran.
- Cuando almacene carnes en la sección de alimentos frescos, manténgala en el empaque original o si es necesario, envuélvala nuevamente. Siga estas sugerencias para un almacenamiento seguro:
 - Pollo 1 a 2 días
 - Carne molida de res 1 a 2 días
 - Carnes frías 3 a 5 días
 - Bistecs/alimentos asados 3 a 5 días
 - Carnes ahumadas/curadas 7 a 10 días
 - Todo lo demás 1 a 2 días

Sonidos normales del funcionamiento que puede llegar a escuchar

- Sonido de agua hirviendo, borbotones o vibraciones leves que se producen debido a la circulación del refrigerante a través de los serpentines de enfriamiento.

CUIDADO Y LIMPIEZA ADECUADOS DEL REFRIGERADOR

- El control del termostato producirá un chasquido cuando se encienda y se apague.

Limpieza y mantenimiento

Advertencia: Para evitar una descarga eléctrica, siempre desenchufe su refrigerador antes de limpiarlo. Ignorar esta advertencia puede producir lesiones o la muerte.

Precaución: Antes de usar productos de limpieza, lea y siga siempre las instrucciones y advertencias del fabricante, a fin de evitar lesiones personales o daños al producto.

En general:

- Prepare una solución limpiadora de 3 a 4 cucharadas de bicarbonato de sodio mezclado con agua tibia. Limpie el refrigerador con una esponja o un paño suave humedecido con la solución limpiadora.
- Enjuague con agua limpia tibia y seque con un paño suave.
- No utilice sustancias químicas fuertes, abrasivos, amoníaco, blanqueador a base de cloro, detergentes concentrados, solventes o fibras metálicas. Algunas de estas sustancias químicas pueden deshacer, dañar y/o cambiar el color del refrigerador.

Empaques de la puerta:

- Limpie los empaques de la puerta cada tres meses de acuerdo con las instrucciones generales. Los empaques deben mantenerse limpios y flexibles para asegurar que sellen correctamente.
- Aplique gel de petróleo ligeramente en el lado del empaque de las bisagras para que el empaque no pierda su flexibilidad y garantizar que selle correctamente.

Descongelamiento

Descongele cuando la escarcha en la pared del compartimiento del congelador sea de 1/8" de espesor.

PELIGRO: Riesgo de incendio o explosión debido a perforación de la tubería refrigerante. Se utiliza refrigerante inflamable. No utilice dispositivos metálicos para descongelar el refrigerador. No perforo la tubería refrigerante.

Para descongelar, quite los alimentos y la bandeja de los cubos de hielo del compartimiento del congelador. Asegúrese de que la bandeja de goteo esté en su lugar y desenchufe la unidad. La descongelación por lo general lleva unas horas. Para acelerar la descongelación, mantenga la puerta abierta y coloque un recipiente de agua tibia en el refrigerador. Luego de descongelar, vacíe el agua de la bandeja de goteo y lave la bandeja en agua tibia.

Mantenimiento

Riesgo de incendio o explosión. Se utiliza refrigerante inflamable. No perfora la tubería refrigerante. Debe ser reparado solo por personal de servicio autorizado. Consulte el manual de reparación antes de intentar reparar este producto. Deben seguirse todas las precauciones de seguridad. Las piezas del componente deben reemplazarse con componentes equivalentes para minimizar el riesgo de un posible incendio debido a piezas incorrectas o reparación inapropiada.

Interrupciones del suministro eléctrico

- En ocasiones, puede haber interrupciones del suministro eléctrico debido a tormentas u otros motivos. Desenchufe el cable eléctrico del tomacorriente de pared cuando ocurra un corte eléctrico. Cuando la electricidad haya regresado, vuelva a conectar el cable eléctrico al tomacorriente de pared. Si ocurre un corte eléctrico durante un periodo prolongado, inspeccione los alimentos descongelados que estaban en el refrigerador o congelador y deseche los que ya no sirvan. Limpie el refrigerador antes de volver a usarlo.

Cuidado durante las vacaciones y mudanzas

- Durante ausencias o vacaciones largas, no deje comida en el refrigerador ni congelador, coloque el disco de control de temperatura en la posición "OFF" y limpie el refrigerador y los empaques de la puerta de acuerdo con la sección "Limpieza general". Mantenga las puertas abiertas para que pueda circular aire adentro. Durante las mudanzas, traslade el refrigerador siempre en posición vertical, no traslade la unidad acostada, podría sufrir daños en el sistema de sellado.

Recomendaciones para ahorrar energía

- El refrigerador debe ubicarse en la zona más fresca del lugar, alejado de electrodomésticos que generen calor o de conductos de calefacción, y alejado de la luz directa del sol.
- Deje enfriar los alimentos calientes antes de guardarlos en el refrigerador. Cuando se satura el refrigerador de alimentos, el compresor funciona más tiempo y por lo tanto, el consumo de energía es mayor. Los alimentos que se refrigeran por mucho tiempo, lentamente pueden perder su calidad o descomponerse.
- Asegúrese de envolver correctamente los alimentos y de secar los recipientes antes de colocarlos en el refrigerador.
- Las repisas metálicas no deben revestirse con papel aluminio, papel encerado o toallas de papel. Esto interfiere con la circulación del aire frío y reduce la eficacia del refrigerador.
- Organice los alimentos de manera que se reduzca la cantidad de veces que se tenga que abrir la puerta y evite búsquedas prolongadas. Saque los elementos necesarios de una sola vez y cierre la puerta lo más rápido posible.

SOLUCIÓN DE PROBLEMAS

El refrigerador no funciona:

- Verifique que el control del termostato no esté en la posición "OFF" (apagado).
- Verifique que el refrigerador esté conectado.
- Revise el interruptor de carga para verificar que haya energía en el tomacorriente de pared.

La temperatura de los alimentos parece estar demasiado tibia:

- La puerta se abre con frecuencia.
- Dé tiempo para que los alimentos tibios se enfríen.
- Verifique que los empaques sellen correctamente.
- Ajuste el control de temperatura a un valor más frío.

La temperatura de los alimentos es demasiado fría:

- Si el ajuste del control de temperatura está en un valor muy frío, ajústelo a una temperatura más cálida y deje pasar varias horas para que se ajuste la temperatura.

El refrigerador funciona con demasiada frecuencia:

- Esto puede ser normal para mantener la temperatura constante durante los días húmedos y de alta temperatura.
- Es posible que las puertas se hayan abierto con frecuencia o durante un período prolongado.
- Verifique que los empaques sellen correctamente.
- Verifique que las puertas estén completamente cerradas.

Se acumula humedad en el interior o exterior del refrigerador:

- Esto es normal durante períodos de mucha humedad.
- Las puertas se abren con frecuencia o durante períodos prolongados.
- Verifique que los empaques de las puertas sellen correctamente.

El refrigerador despidе olor:

- El interior necesita limpieza.
- Los alimentos mal envueltos o mal sellados despiden olores.

La puerta del refrigerador no cierra correctamente:

- Nivele el refrigerador.
- Vuelva a alinear la puerta del refrigerador.
- Revise que no haya obstrucciones, como contenedores de alimentos, cubierta del cajón para frutas y verduras, repisas recipientes, etc.

Sonido de estallido o fractura cuando se enciende el compresor:

- Revise que el refrigerador esté nivelado.
- Es posible que el piso esté irregular o sea inestable. El refrigerador se balancea sobre el piso cuando se mueve ligeramente. Asegúrese de que el piso soporte el refrigerador de manera adecuada. Coloque una cuña de madera o de metal para nivelarlo.
- El refrigerador hace contacto con la pared. Retírelo de la pared y vuelva a nivelarlo. Consulte la sección "Instalación del refrigerador".

GARANTÍA LIMITADA

¿Qué cubre y por cuánto tiempo?

Esta garantía cubre todos los defectos de fabricación o de materiales durante un período de:

12 meses en mano de obra (sólo reparación en el taller).

12 meses en partes (sólo reparación en el taller).

5 años en el sistema sellado (sólo reparación en el taller).

La garantía entra en vigor en la fecha en que se compró el producto y el recibo original de compra debe presentarse en el centro de servicio autorizado antes de que se lleven a cabo las reparaciones de garantía.

EXCEPCIONES: Garantía del producto para uso comercial o de renta 90 días en mano de obra (sólo reparación en el taller).

90 días en partes.

No aplica ninguna otra garantía.

¿Qué cubre?

- Partes mecánicas y eléctricas cuyo objetivo es poner en funcionamiento este aparato, por un período de 12 meses. Esto incluye todas las partes, excepto los acabados y adornos.
- Componentes sellados del sistema, por ejemplo, el compresor hermético, el condensador y el evaporador, por defectos de fabricación, por un período de 5 años a partir de la fecha de compra. No se cubrirá ningún daño a dichos componentes producidos por maltrato mecánico, manipulación o transporte inadecuados.

¿Que se hará?

- Repararemos o reemplazaremos, a nuestro criterio, cualquier parte mecánica o eléctrica que resulte estar defectuosa por uso normal durante el período de garantía especificado.
- No se cobrará al comprador las partes y la mano de obra de ningún artículo cubierto por el período de 12 meses. Después de dicho período, la garantía restante sólo cubre las partes. No incluye la mano de obra y el cliente deberá pagarla.

- Comuníquese con el centro de servicio autorizado más cercano. Para obtener el nombre del centro de servicio más cercano, llame al 1-877-337-3639.

ESTA GARANTÍA CUBRE ELECTRODOMÉSTICOS EN LOS ESTADOS UNIDOS, PUERTO RICO Y CANADÁ.

NO CUBRE LO SIGUIENTE

Daños por instalación inadecuada.

Daños producidos en el envío.

Defectos que no sean de fabricación.

Daño por uso incorrecto, maltrato, accidente, alteración, falta de cuidado y mantenimiento adecuados, o corriente o voltaje incorrectos.

Daños por uso distinto al doméstico.

Daño por un servicio brindado por alguien distinto a un distribuidor o centro de servicio autorizado.

Acabados decorativos o bombillas reemplazables.

Transporte y envío.

Mano de obra (después de los primeros 12 meses).

ESTA GARANTÍA LIMITADA SE OTORGA EN LUGAR DE CUALQUIER OTRA GARANTÍA, EXPRESA O, INCLUSO LAS GARANTÍAS DE COMERCIALIZACIÓN E IDONEIDAD PARA UN FIN PARTICULAR.

La solución ofrecida en esta garantía es exclusiva y se otorga en lugar de cualquier otra solución.

Esta garantía no cubre daños incidentales o derivados, de modo que es posible que las limitaciones anteriores no apliquen en su caso. Algunos estados no permiten limitaciones sobre la duración de una garantía implícita, de modo que es posible que las limitaciones anteriores no apliquen en su caso.

Esta garantía le otorga derechos legales específicos, y usted puede contar con otros derechos, que varían según cada estado.

Haier America
New York, NY 10018

IMPORTANT

Do Not Return This Product To The Store

If you have a problem with this product, please contact the
"Haier Customer Satisfaction Center" at 1-877-337-3639.

DATED PROOF OF PURCHASE REQUIRED FOR WARRANTY SERVICE

IMPORTANT

Ne pas Réexpédier ce Produit au Magasin

Pour tout problème concernant ce produit, veuillez contacter le service des
consommateurs 'Haier Customer Satisfaction Center' au 1-877-337-3639.

UNE PREUVE D'ACHAT DATEE EST REQUISE POUR BENEFICIER DE LA GARANTIE.

IMPORTANTE

No regrese este producto a la tienda

Si tiene algún problema con este producto, por favor contacte el

"Centro de Servicio al Consumidor de Haier" al 1-877-337-3639 (Válido solo en E.U.A).

NECESITA UNA PRUEBA DE COMPRA FECHADA PARA EL SERVICIO DE LA GARANTIA

www.Haier.com

HC27SF22RB HC27SF22RW
Issued Date: December 2013

115 V, 60 Hz
Made in China
Hecho en China

Printed in China
Haier America
New York, NY 10018
©2014 Haier America Trading, LLC.